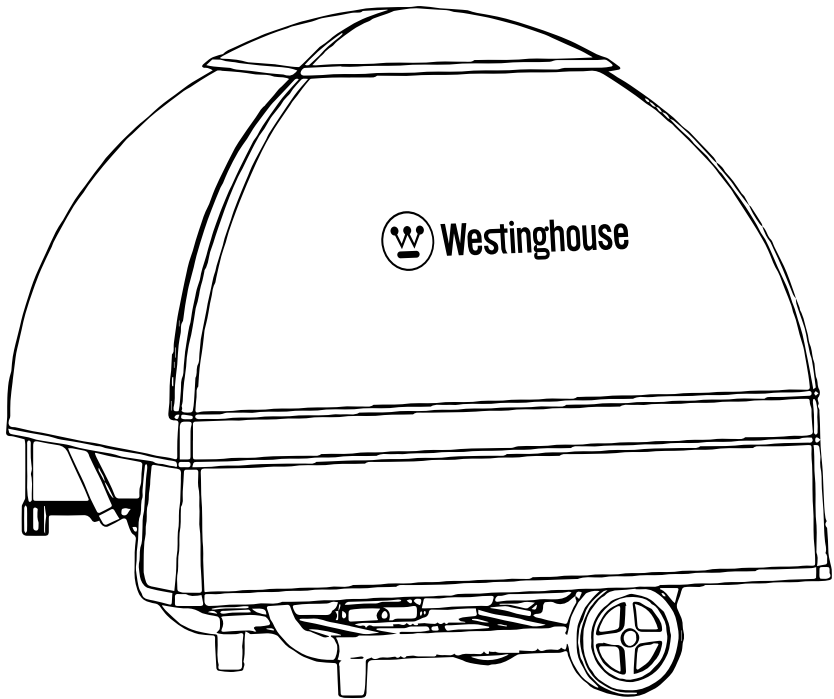


Covered By
GenTent[®]



wGenTent[®]

GENERATOR RUNNING COVER
for Open Frame Portable Generators

WeatherProof Your Power[™]

TABLE OF CONTENTS

Important Product Safety.....	3
Important Operating Notes	4
Package Contents	5
Assemble & Install The GenTent Clamps	6
Install The GenTent Frame	10
Cover The GenTent Canopy	11
Install Electrical Apron	11
Refueling Door	12
Proper Door Sealing Tip	12
Limited Warranty	13
Register Your Purchase – Activate Your Warranty	14

Getting Help is Easy

E-mail your questions or pictures of your installation to

customercare@gentent.com

Call our customer support at 781-334-8368

Chat with us at **www.gentent.com**

Installation Guides, Videos & Addendums


Read specialty Installation addendums online. **www.gentent.com/docs**


Read this Manual Online **www.gentent.com/manual**


Installation Videos **www.gentent.com/installation**


IMPORTANT PRODUCT SAFETY


Please review these important safety warnings:


 **WARNING** NEVER obstruct or cover the generator's exhaust muffler in any way. It is not installed correctly if the exhaust blows directly on the GenTent canopy.


 **WARNING** NEVER use the GenTent on a generator with a muffler that is openly exposed at the top of the generator. These generators are ineligible and VOID the WARRANTY of the GenTent.


 **WARNING** NEVER use the GenTent on a generator that is located on a moving vehicle or trailer.

 **WARNING** ALWAYS shut the generator off before fueling or performing any maintenance procedures.

 **WARNING** NEVER position the refueling door of the GenTent on the same side of the generator as the exhaust muffler. A gasoline spill can result in fire. Always use a funnel for refueling.

 **CAUTION** DO NOT pull on the open corners of the GenTent top cap.

 **CAUTION** ALWAYS hold frame rods securely during installation to avoid the whipping motion that can occur if a bent frame rod is accidentally released.

 **CAUTION** AVOID using your portable generator in winds above 70mph.

IMPORTANT OPERATING NOTES

Please review these important operating notes:

NOTE: Should the GenTent cover block pull starter, release the elastic straps on the pull starter side and temporarily lift GenTent canopy out of the way.

NOTE: When using GenTent during snowstorms, periodically brush away any accumulation that blocks the top vent or surrounds the generator.

NOTE: The bottom trim of the canopy should align at or slightly below where the fuel tank connects to the frame. This will prevent pooling water on the fuel tank and potential drippage toward the outlets. The electrical apron will cover down to the top of the clamp which should be positioned below the lowest electrical outlet.

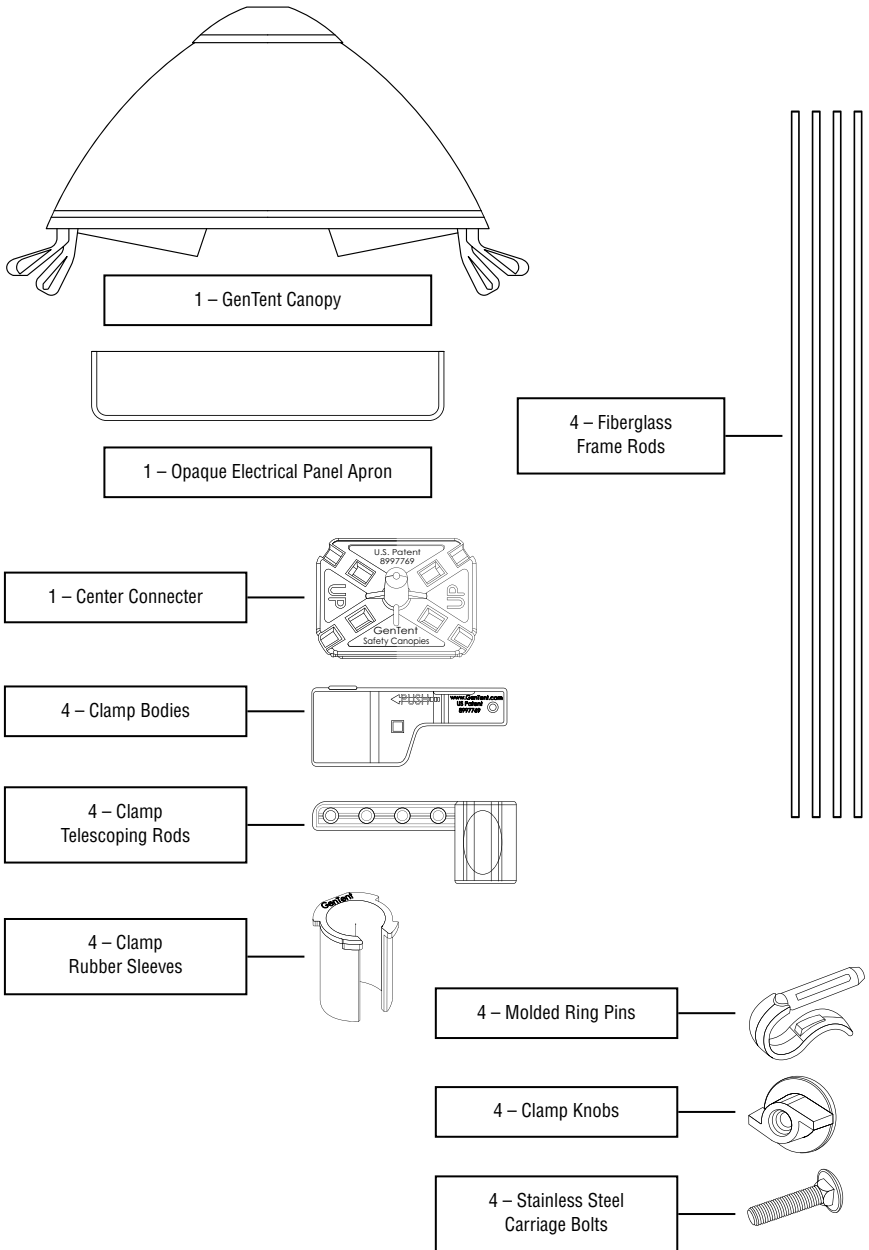
NOTE: Should generator handle cause significant stretching of the elastic straps when extended, release the elastics straps on the handle side of the generator before deploying generator handles. Once the generator is in the desired position, lower the handle, and refasten the elastic straps.

NOTICE

In some cases, adaptation of the portable generator frame is required to create a proper mounting point for the GenTent clamps. Most Westinghouse branded portable generators do not need adaptation. Should you need to adapt your frame, adaption kits are available separately at 781-334-8368.

1. One corner needs to be adapted because:
 - 1a. A muffler heat shield or other panel is connected to a frame member that otherwise blocks the GenTent clamp from attaching directly to the proper location.
2. Four corners need to be adapted because:
 - 2a. The portable generator uses a square tubular frame that must be adapted to the round openings of the GenTent clamps.
 - 2b. The portable generator is a very small frame and requires length and width extension (see Clamp Adjustment tables on page 9).
 - 2c. Certain small Westinghouse generators whose frame perimeter (length and width not including wheels or handles) is between 68 in. (190.5 cm) and 80 in. (203.2 cm) fall into the small frame category.

PACKAGE CONTENTS



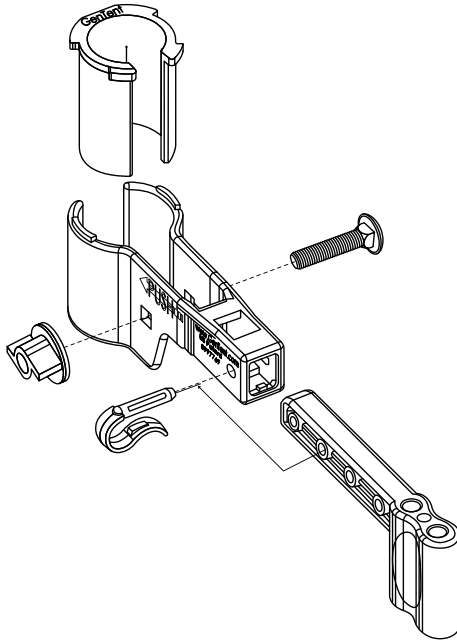
ASSEMBLY

1. ASSEMBLE AND INSTALL THE GENTENT CLAMPS

To Assemble Clamp Parts (Fig. 1.1)

- a. Slide telescoping clamp rod into clamp body, insert a molded ring pin to hold the telescoping rod in place.
- b. Push carriage bolt through one side of clamp and through the clamp body.
- c. Loosely install clamp knob onto carriage bolt. The knob can be installed on either side of the clamp; whichever is the least obstructed by the generator frame.
- d. Retain rubber sleeve refer to step h *“Install clamp on generator frame”*.

FIG. 1.1

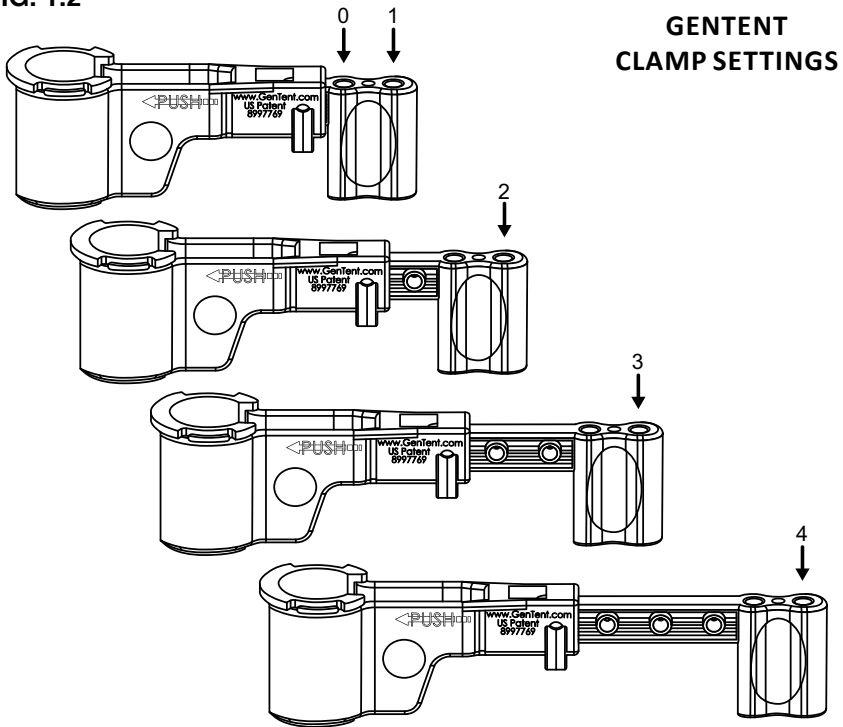


ASSEMBLY

Set Rod Adjustment Pin (Fig. 1.2)

- e. Measure the length and width of your generator frame. Measure only the outside edge of the vertical frame post to vertical frame post. **DO NOT** include the measurement of wheels or handles.
- f. Use the Easy Adjustment Guide to reference the appropriate clamp setting for your GenTent (page 8).
- g. Match the measured length and width of your generator to the Easy Adjustment Guide to determine the pin set number. Adjust the telescoping rod to the appropriate hole and install the molded ring pin to secure. (Fig. 1.2)

FIG. 1.2




EASY ADJUSTMENT GUIDE

Frame Length (Inches)		23	23.5	24	24.5	25	25.5	26	26.5	27	27.5	28	28.5	29	29.5	30	30.5	31	31.5	32
22.5	3	3	3	3	3	3	2	2	2	2	2	1	1	1	0	0	0	0	0	
22	4	3	3	3	3	3	2	2	2	2	2	1	1	1	1	0	0	0		
21.5	4	4	3	3	3	3	2	2	2	2	2	1	1	1	1	0	0	0	0	
21	4	4	4	3	3	3	2	2	2	2	2	2	1	1	1	1	0	0	0	0
20.5	4	4	4	4	4	3	3	3	3	2	2	2	2	1	1	1	1	0	0	0
20	4	4	4	4	4	3	3	3	3	3	2	2	2	2	1	1	1	0	0	0
19.5	4	4	4	4	4	3	3	3	3	3	2	2	2	2	1	1	1	0	0	0
19	4	4	4	4	4	4	3	3	3	3	3	2	2	2	2	1	1	1	1	0
18.5	4	4	4	4	4	4	4	4	3	3	3	3	2	2	2	2	1	1	1	0
18	4	4	4	4	4	4	4	4	4	4	3	3	2	2	2	2	1	1	1	1
17.5	4	4	4	4	4	4	4	4	4	4	3	3	3	2	2	2	2	1	1	1
17	4	4	4	4	4	4	4	4	4	4	3	3	3	3	2	2	2	1	1	1
16.5	SMALL	4	4	4	4	4	4	4	4	4	4	3	3	3	2	2	2	1	1	1
16	SMALL	SMALL	4	4	4	4	4	4	4	4	4	3	3	3	3	2	2	2	1	1

Setting Notes:

0: Use inside frame rod slot on GenTent clamp telescoping rod

Small: Requires frame extension using GTU Frame Adapter

 Generator size beyond GenTent fit specification

ASSEMBLY

NOTE: When installing frame rods for settings 2,3 & 4 the frame rod should be put into the outermost hole. Setting 0 and 1 are the same clamp setting, the frame rod hole for setting 0 is the inner one (closest to the generator) and frame rod hole for setting 1 is the outer one (furthest from the generator).

Install Clamp on Generator Frame

h. Clamp direct to the generator's vertical frame post and position the top edge of the rubber sleeve at one of the following positions:

1. 9" below where the gas tank meets the frame, or
2. 1/2" below the lowest electrical outlet (whichever location is lower on the generator frame).

i. Slip rubber sleeve around the vertical frame post, turning the rubber sleeve so the opening faces away from the generator. (Fig. 1.3) Select installations may not allow the rubber sleeve mouth face outward, this is Ok.

j. Push clamp opening straight onto frame, below the rubber sleeve. (Fig. 1.4) Then slide clamp up and over the rubber sleeve. (Fig. 1.5) This allows you to install the clamp without pulling the clamp mouth open.

k. Position clamp diagonally from generator frame typically at 45 degrees.

l. Tighten the clamp knob, this usually requires only 2-3 full turns once you feel resistance against the clamp body.

m. Repeat procedure on remaining three sides: position clamps at the same height.

NOTE: Over-tightening the clamp knob should be avoided. If you notice the mouth of the clamp pulling away from the vertical frame post, you have over-tightened, and the knob should be loosened.

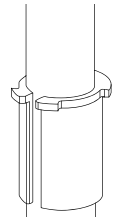


FIG. 1.3

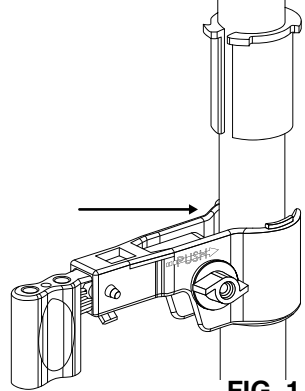


FIG. 1.4

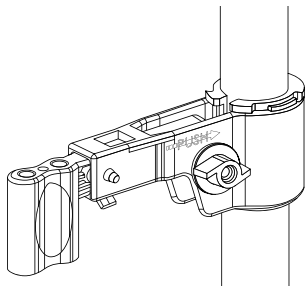


FIG. 1.5

ASSEMBLY

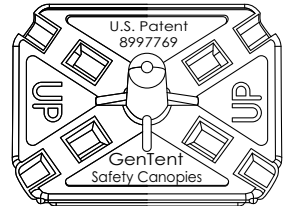
2. INSTALL THE GENTENT FRAME

a. Orient the center connector with the vent pin up and position the central connector to match generator alignment, short and long sides, respectively.



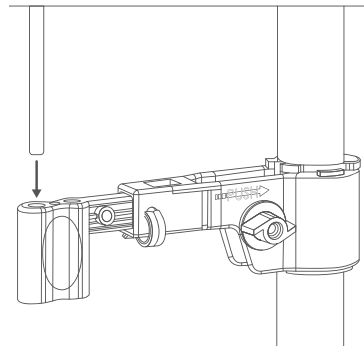
FIG. 2.1

b. Insert the first frame rod into the center connector, making sure it is seated all the way into the connector. (Fig. 2.1). Always insert the frame rod into the center connector before inserting it into the clamp.



c. Insert the other end of the frame rod fully into the corresponding clamp hole position. (Fig. 2.2)

FIG. 2.2



⚠ CAUTION

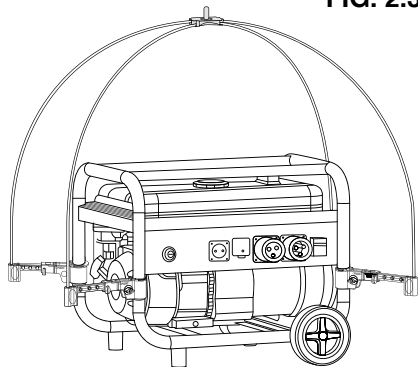
Always grasp frame rods & center connector firmly during installation to avoid the whipping motion that can occur if a bent fiberglass rod is mistakenly released.

d. Install the frame rods into the center connector in a crisscross pattern. Always be sure to grasp the free end of the frame rod firmly. Then bend the free end towards the clamp and insert fully into the correct hole.

FIG. 2.3

e. Repeat for remaining frame rods.


f. Check the clamps; the frame rods should be fully seated into the clamps. (Fig. 2.3) The clamp may exhibit a slight upward lean; this is due to the force being applied to the clamp by the fiberglass rods.



ASSEMBLY

3. COVER THE GENTENT

- Grasping the GenTent by the center of the top cap, open the GenTent canopy and place it onto the GenTent frame. Do not pull the open corners of the top cap; these are for ventilation.
- Place the GenTent canopy on the frame. Center the top cap on the center connector pin. (Fig. 3.1)
- Ensure the GenTent canopy coverage is generally equal and level.

 **WARNING** Never position the refueling door on the same side of the generator as the exhaust muffler. Spilled gasoline can result in fire.

- Slide one corner elastic under the clamp telescoping rod and set between the knob and the molded ring pin. (Fig. 3.2)
- Repeat on opposite corners.
- Review and adjust canopy if necessary, to ensure it is level.

Install the Electrical Panel Apron

- Along the bottom edge of the GenTent canopy is an over-flap. Flip up the overflap from corner to corner above the electrical outlets. This will reveal a trim of hook and loop. (Fig. 3.3)
- Center the electrical panel apron in front of the generator electrical panel and press the apron firmly onto the hook and loop. The apron can be adjusted to the left or right in order that it stays a minimum 4 inches away from the exhaust. **Do not block the exhaust!**

FIG. 3.1

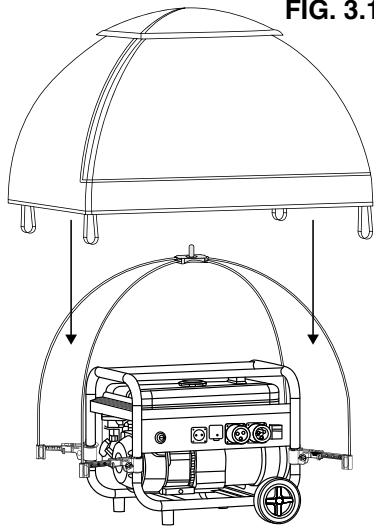
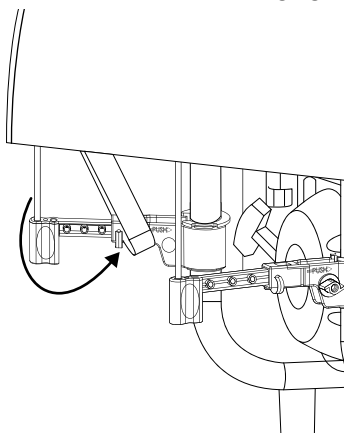


FIG. 3.2



ASSEMBLY

- c. Flip the over-flap down and over the electrical apron. This will ensure water runs over the front of the apron, keeping the electrical outlets dry.



WARNING

GenTent canopy must be installed above generator exhaust muffler. Install GenTent electrical panel apron such that it cannot block exhaust in any way.

FIG. 3.3

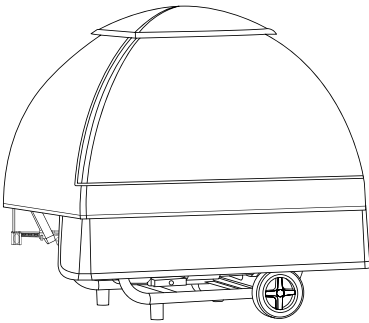
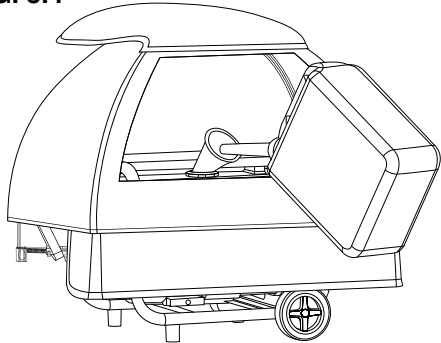


FIG. 3.4



Refueling Door

The GenTent refueling door is designed to allow you to easily refuel your generator without removing the GenTent. After use, the refueling door must be wrapped around the side and pressed firmly back in place. Failure to reseal the door may allow water to seep into the canopy. (Fig. 3.4)

Proper door sealing technique

- Align the hook and loop at the bottom of the refueling door and press in place.
- Press the refueling door around the canopy and slide your hands to the bottom while applying pressure to seal the door.

LIMITED WARRANTY

What is Covered

This warranty covers any defects in materials or workmanship of the GenTent® Safety Canopy under normal use in forecast winds up to seventy mph and snow loads up to eighteen inches, with the exceptions stated below.

How Long Coverage Lasts

The warranty runs from the date on your GenTent® order receipt. Warranty period is one (1) year for all Westinghouse branded GenTent models.

What is not Covered

This warranty does not cover issues resulting from improper installation or issues resulting from not adhering to the Warnings and Cautions as stated in this GenTent Product Installation and Safety Manual. This warranty does not cover fading or discoloration caused by exposure to sunlight or chemicals, slight fabric color mismatches, or deterioration due to exposure to chemicals. This warranty does not cover abuse, misuse, or neglect including, but not limited to; lost parts, over tightening clamps, blocking a running portable generator exhaust with parts of the GenTent, or rips, tears or breaks due to sharp and/or heavy and/or falling objects. This warranty does not cover issues arising because of modifications made to your portable generator or to the GenTent® that have not been specified by the manufacturer.

GenTent products or components returned without an RMA and proof of purchase are not covered (see How to Get Service). Also, consequential, and incidental damages are not recoverable under this warranty. Some states do not allow the exclusion or limitation of incidental or consequential damages, so the above limitation or exclusion may not apply to you.

What GenTent Safety Canopies LLC Will Do

During the term of this Warranty, GenTent Safety Canopies, LLC will repair any GenTent canopy or replace any GenTent frame or clamp component that proves to be defective in materials or workmanship. In the event repair of a GenTent canopy is not possible, GenTent Safety Canopies will replace your GenTent canopy with a new GenTent canopy of similar composition and price.

How To Get Service

Contact GenTent Safety Canopies LLC by emailing customercare@gentent.com, calling 781-334-8368 or writing us at the address below to discuss your Warranty concern. You must provide a copy of the original receipt or packing slip that you received as part of your purchase.

GenTent Safety Canopies, LLC
Attn: Customer Warranty Service
99 Pine Road
Brentwood, NH 03833

How State Law Applies

This warranty gives you specific legal rights, and you may also have other rights, which vary from state to state.

REGISTER YOUR PURCHASE - ACTIVATE YOUR WARRANTY

Complete your registration online at www.gentent.com/westinghouse or fill out this card and mail to:

GenTent Safety Canopies
Attn: Product Registration
99 Pine Road
Brentwood, NH 03833

Your Information:

Name: _____

E-Mail Address: _____

Address: _____

City: _____

State: _____

Country: _____

Postal Code: _____

Phone Number: _____

Purchase Information:

GenTent Purchase Date: ____ / ____ / ____ (mm/dd/yyyy)

GenTent Purchase Place: _____

Generator Make: _____

Generator Model: _____

In addition to activating your product warranty, registering allows us to keep in contact with you from time to time with important product updates, generator safety tips and special offerings for registered customers. Please note we never share your contact information.

TABLA DE CONTENIDO

Importante seguridad del producto.....	3
Notas importantes de funcionamiento.....	4
Contenidos del paquete.....	5
Ensamble e instale las abrazaderas GenTent.....	6
Instale el marco GenTent.....	10
Cubre el toldo GenTent.....	11
Instalar delantal eléctrico.....	11
Puerta de repostaje.....	12
Punta de sellado de puerta adecuada.....	12
Garantía limitada.....	13
Registra tu compra – Activa tu garantía.....	14

Obtener ayuda es fácil

Envíe por correo electrónico sus preguntas o fotos de su instalación a [**customercare@gentent.com**](mailto:customercare@gentent.com)

Llame a nuestro servicio de atención al cliente al 781-334-8368

Chatea con nosotros en [**www.gentent.com**](http://www.gentent.com)

Guías de instalación, videos y anexos

Lea los apéndices de instalación especializados en línea.

[**www.gentent.com/docs**](http://www.gentent.com/docs)

Lea este manual en línea [**www.gentent.com/manual**](http://www.gentent.com/manual)

Vídeos de instalación [**www.gentent.com/installation**](http://www.gentent.com/installation)

IMPORTANTE SEGURIDAD DEL PRODUCTO

Por favor revise estas importantes advertencias de seguridad:

⚠️ ADVERTENCIA **NUNCA** bloquee ni cubra el silenciador de escape del generador de ninguna manera. Si el escape sopla directamente sobre el toldo GenTent, está instalado incorrectamente.

⚠️ ADVERTENCIA **NUNCA** use GenTent en un generador con un silenciador que esté expuesto abiertamente en la parte superior del generador. Estos generadores no son elegibles y ANULARÁN la GARANTÍA de GenTent.

⚠️ ADVERTENCIA **NUNCA** use GenTent en un generador que esté ubicado en un vehículo o remolque en movimiento.

⚠️ ADVERTENCIA Apague **SIEMPRE** el generador antes de cargar combustible o realizar cualquier procedimiento de mantenimiento.

⚠️ ADVERTENCIA **NUNCA** coloque la puerta de llenado de combustible del GenTent en el mismo lado del generador que el silenciador de escape. Un derrame de gasolina puede provocar un incendio. Utilice siempre un embudo para repostar.

⚠️ PRECAUCIÓN **NO** tire de las esquinas abiertas de la tapa superior GenTent.

⚠️ PRECAUCIÓN **SIEMPRE** sostenga las varillas del marco de forma segura durante la instalación para evitar el movimiento de azote que puede ocurrir si una varilla del marco doblada se suelta accidentalmente.

⚠️ PRECAUCIÓN **EVITE** usar su generador portátil con vientos superiores a 70 mph.

NOTAS IMPORTANTES DE FUNCIONAMIENTO

Por favor, revise estas importantes notas de funcionamiento:

NOTA: Si la cubierta GenTent bloquea el arrancador, suelte las correas elásticas del lado del arrancador y levante temporalmente la capota GenTent para que no estorbe.

NOTA: Cuando utilice GenTent durante tormentas de nieve, cepille periódicamente cualquier acumulación que bloquee la ventilación superior o **NOTA:** La moldura inferior de la capota debe alinearse en o ligeramente por debajo de donde el tanque de combustible se conecta al marco. Esto evitará la acumulación de agua en el tanque de combustible y el posible goteo hacia las salidas. El delantal eléctrico cubrirá hasta la parte superior de la abrazadera que debe colocarse debajo del tomacorriente más bajo.

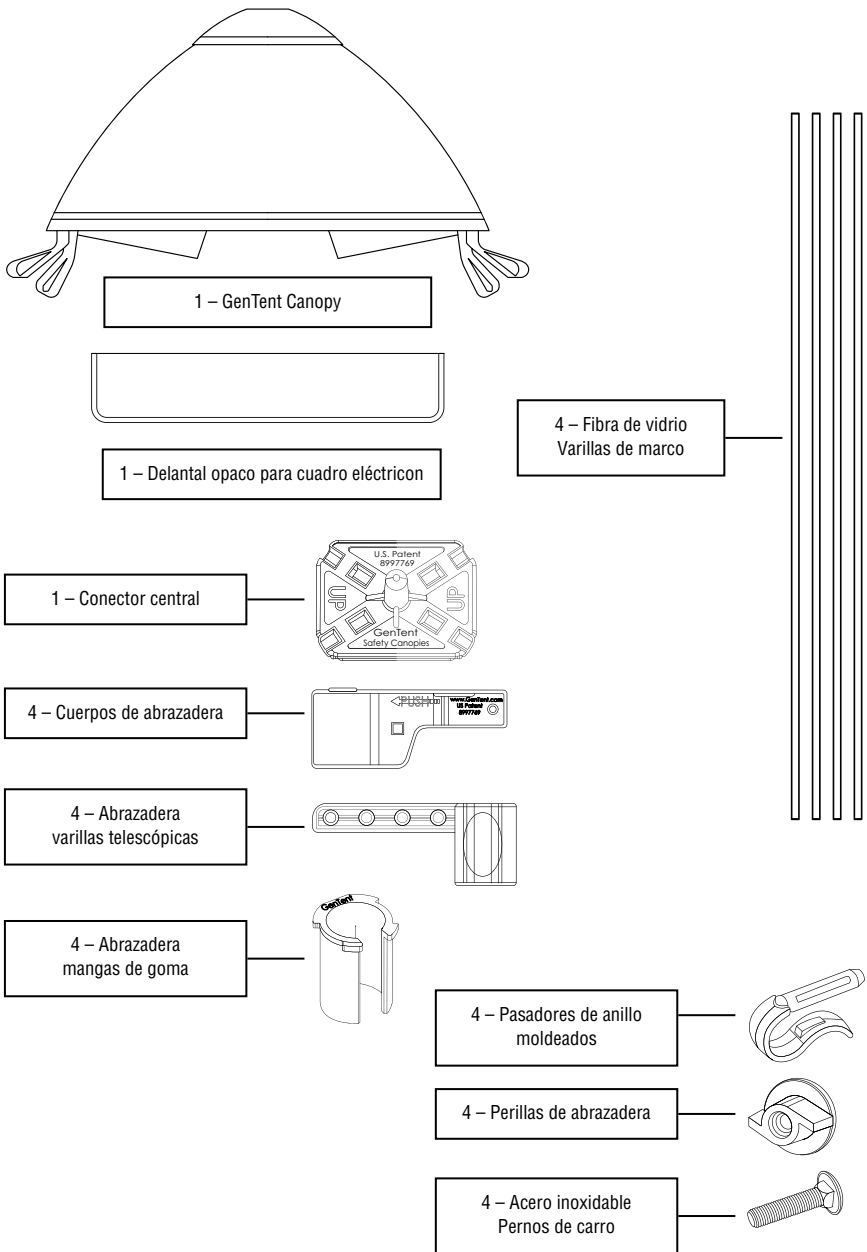
NOTA: Si la manija del generador causa un estiramiento significativo de las correas elásticas cuando se extiende, suelte las correas elásticas del lado de la manija del generador antes de desplegar las manijas del generador. Una vez que el generador esté en la posición deseada, baje el mango y vuelva a ajustar las correas elásticas.

AVISO

En algunos casos, se requiere la adaptación del marco del generador portátil para crear un punto de montaje adecuado para las abrazaderas GenTent. Mayoría los generadores portátiles de la marca Westinghouse no necesitan adaptación. Si necesita adaptar su marco, los kits de adaptación están disponibles por separado en el 781-334-8368.

1. Es necesario adaptar una esquina porque:
 - 1a. Un escudo térmico del silenciador u otro panel está conectado a un miembro del marco que, de lo contrario, bloquea la abrazadera GenTent para que no se sujete directamente a la ubicación adecuada.
2. Es necesario adaptar cuatro esquinas porque:
 - 2a. El generador portátil utiliza un marco tubular cuadrado que debe adaptarse a las aberturas redondas de las abrazaderas GenTent.
 - 2b. El generador portátil tiene una estructura muy pequeña y requiere una extensión de largo y ancho (vea las tablas de ajuste de la abrazadera en la página 9).
 - 2c. Ciertos generadores pequeños de Westinghouse cuyo perímetro de armazón (largo y ancho sin incluir ruedas ni manijas) está entre 68 pulgadas (190,5 cm) y 80 pulgadas (203,2 cm) entran en la categoría de armazón pequeño.

CONTENIDOS DEL PAQUETE



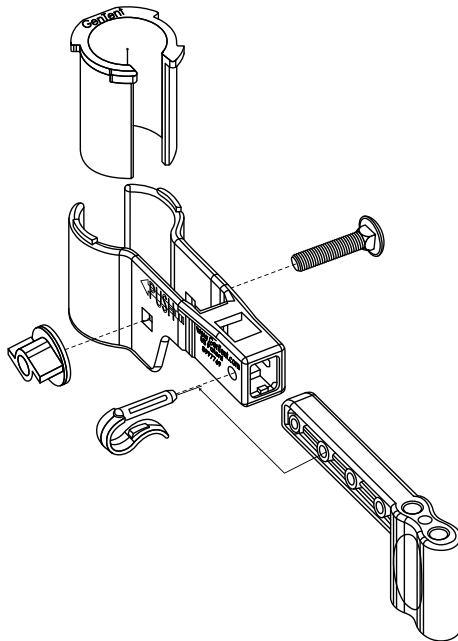
ASAMBLEA

1. MONTAJE E INSTALACIÓN DE LAS ABRAZADERAS GENENT

Para ensamblar las piezas de la abrazadera (Fig. 1.1)

- Deslice la varilla de la abrazadera telescópica en el cuerpo de la abrazadera, inserte un pasador de anillo moldeado para sostener la varilla telescópica en su lugar.
- Empuje el perno de carruaje a través de un lado de la abrazadera y a través del cuerpo de la abrazadera.
- Instale la perilla de la abrazadera sin apretar en el perno de carruaje. La perilla se puede instalar en cualquier lado de la abrazadera; el que esté menos obstruido por el marco del generador.
- Retenga el manguito de goma, consulte el paso h *“Instale la abrazadera en el bastidor del generador”*.

FIG. 1.1

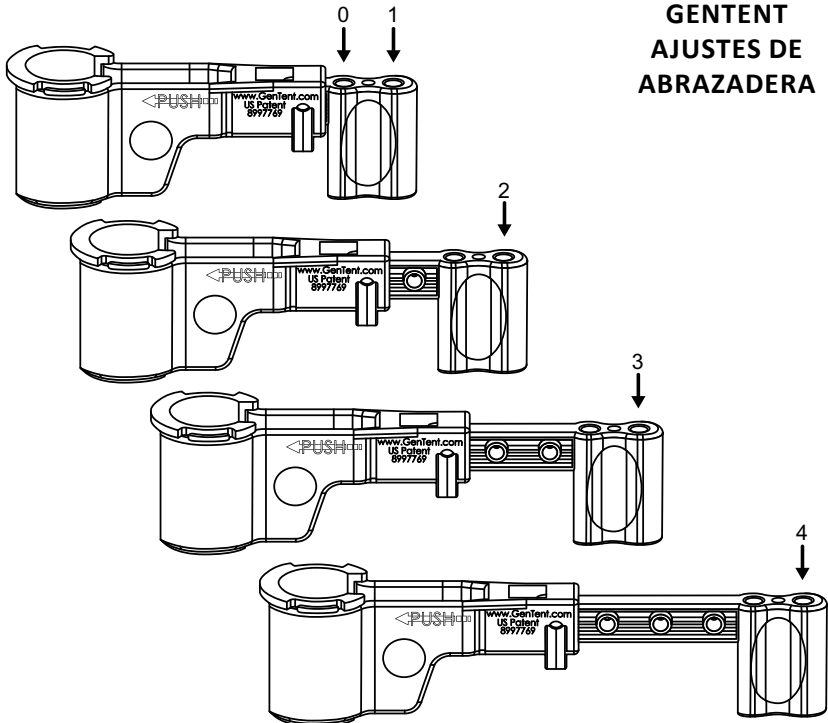


ASAMBLEA

Spasador de ajuste de la varilla de fijación (Fig. 1.2)

- e. Mida la longitud y el ancho del marco de su generador. Mida solo el borde exterior del poste del marco vertical al poste del marco vertical. **NO** incluya la medida de ruedas o manijas.
- f. Utilice la Guía de ajuste fácil para hacer referencia a la adecuada ajuste de abrazadera para su GenTent (página 8).
- g. Haga coincidir la longitud y el ancho medidos de su generador con el guía de ajuste fácil para determinar el número de conjunto de pines. Ajustar la varilla telescópica en el orificio apropiado e instale la moldura pasador de anillo para asegurar. (Fig. 1.2)

FIG. 1.2



GUÍA DE AJUSTE FÁCIL

Longitud del marco (pulg.)		23	23.5	24	24.5	25	25.5	26	26.5	27	27.5	28	28.5	29	29.5	30	30.5	31	31.5	32
22.5	3	3	3	3	3	3	2	2	2	2	1	1	1	1	0	0	0	0	0	0
22	4	3	3	3	3	3	3	2	2	2	2	1	1	1	1	0	0	0	0	0
21.5	4	4	3	3	3	3	3	2	2	2	2	1	1	1	1	0	0	0	0	0
21	4	4	4	3	3	3	3	2	2	2	2	2	1	1	1	1	0	0	0	0
20.5	4	4	4	4	3	3	3	3	3	2	2	2	2	1	1	1	1	0	0	0
20	4	4	4	4	4	3	3	3	3	3	2	2	2	2	1	1	1	0	0	0
19.5	4	4	4	4	4	4	3	3	3	3	2	2	2	2	1	1	1	1	0	0
19	4	4	4	4	4	4	4	3	3	3	3	2	2	2	1	1	1	1	1	0
18.5	4	4	4	4	4	4	4	4	3	3	3	3	2	2	2	1	1	1	1	0
18	4	4	4	4	4	4	4	4	4	3	3	3	2	2	2	1	1	1	1	1
17.5	4	4	4	4	4	4	4	4	4	3	3	3	3	2	2	2	2	1	1	1
17	4	4	4	4	4	4	4	4	4	4	3	3	3	3	2	2	2	1	1	1
16.5	SMALL	4	4	4	4	4	4	4	4	4	4	3	3	3	2	2	2	1	1	1
16	SMALL	SMALL	4	4	4	4	4	4	4	4	4	3	3	3	3	2	2	2	1	1

Notas de configuración:

0: Use la ranura de la barra del marco interior en la barra telescópica de la abrazadera GenTent

Pequeño: Requiere extensión de marco usando el adaptador de marco GTU

Tamaño del generador más allá de la especificación de ajuste de GenTent

ASAMBLEA

NOTA: Al instalar las varillas del marco para las configuraciones 2, 3 y 4, la varilla del marco debe colocarse en el orificio más externo. Los ajustes 0 y 1 son el mismo ajuste de abrazadera, el orificio de la varilla del bastidor para el ajuste 0 es el interior (más cercano al generador) y el orificio de la varilla del bastidor para el ajuste 1 es el exterior (el más alejado del generador).

Instale la abrazadera en el marco del generador

h. Sujete directamente al poste del marco vertical y coloque el borde superior del manguito de goma en una de las siguientes posiciones:

1. 9" por debajo de donde el tanque de gasolina se encuentra con el marco, o
2. 1/2" por debajo del tomacorriente más bajo (cualquiera que sea la ubicación más baja en el marco del generador).

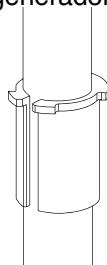


FIG. 1.3

i. Deslice el manguito de goma alrededor del poste del marco vertical, girando el manguito de goma de modo que la abertura mire hacia el lado opuesto del generador. (Fig. 1.3) Las instalaciones seleccionadas pueden no permitir que la boca de la manga de goma mire hacia afuera, esto está bien.

j. Empuje la abertura de la abrazadera directamente en el marco, debajo del manguito de goma. (Fig. 1.4) Luego deslice la abrazadera hacia arriba y sobre el manguito de goma. (Fig. 1.5) Esto le permite instalar la abrazadera sin abrir la boca de la abrazadera.

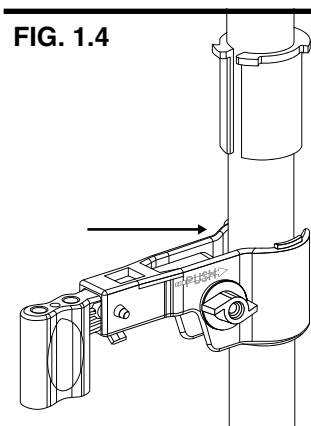


FIG. 1.4

k. Coloque la abrazadera en diagonal desde el marco del generador, normalmente a 45 grados.

l. Apriete la perilla de la abrazadera, esto generalmente requiere solo 2 o 3 vueltas completas una vez que sienta resistencia contra el cuerpo de la abrazadera.

m. Repita el procedimiento en los tres lados restantes: coloque las abrazaderas a la misma altura.

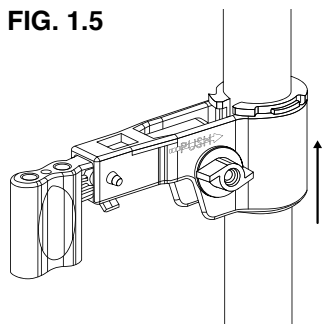


FIG. 1.5

ASAMBLEA

NOTA: Se debe evitar apretar demasiado la perilla de la abrazadera. Si nota que la boca de la abrazadera se separa del poste vertical del marco, la ha apretado demasiado y debe aflojar la perilla.

2. INSTALE EL MARCO GENTENT

- Orienté el conector central con el pasador de ventilación hacia arriba y coloque el conector central para que coincida con la alineación del generador, los lados corto y largo, respectivamente.
- Inserte la primera varilla del marco en el conector central, asegurándose de que esté asentada todo el camino hacia el conector. (Fig. 2.1). Siempre inserte la varilla del marco en el conector central antes de insertarla en la abrazadera.
- Inserte completamente el otro extremo de la varilla del marco en el orificio de la abrazadera correspondiente posición. (Fig. 2.2)

⚠ PRECAUCIÓN Siempre sujete firmemente las varillas del marco y el conector central durante la instalación para evitar el movimiento de azote que puede ocurrir si se suelta por error una varilla de fibra de vidrio doblada.

- Instale las varillas del marco en el conector central en un patrón entrecruzado. Siempre asegúrese de sujetar firmemente el extremo libre de la varilla del marco. Luego doble el extremo libre hacia la abrazadera e insértelo completamente en el orificio correcto.
- Repita para las varillas restantes del marco.



FIG. 2.1

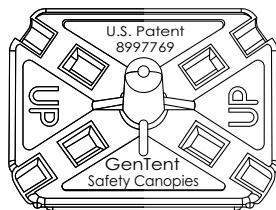


FIG. 2.2

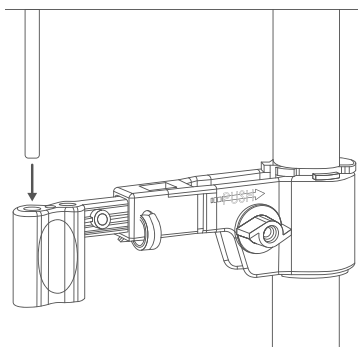
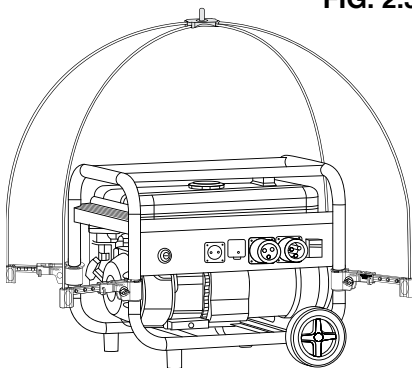


FIG. 2.3



ASAMBLEA

- f. Compruebe las abrazaderas; las varillas del marco deben estar completamente asentadas en las abrazaderas. (Fig. 2.3) La abrazadera puede presentar una ligera inclinación hacia arriba; esto se debe a la fuerza que las varillas de fibra de vidrio aplican a la abrazadera.

3. CUBRE EL GENTENT

- a. Agarrando la GenTent por el centro de la tapa superior, abra la cubierta de la GenTent y colóquela en el marco de la GenTent. No tire de las esquinas abiertas de la tapa superior; Estos son para ventilación.
- b. Coloque el toldo GenTent en el marco. Centre la tapa superior en el pin del conector central. (Fig. 3.1)
- c. Asegúrese de que la cobertura del dosel GenTent sea generalmente igual y nivelada.

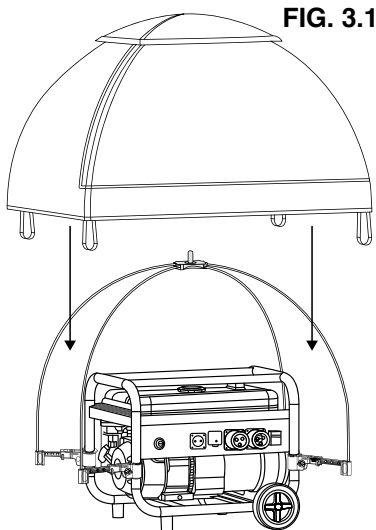


FIG. 3.1

⚠ ADVERTENCIA Nunca coloque la puerta de llenado de combustible en el mismo lado del generador que el silenciador de escape. La gasolina derramada puede provocar un incendio.

- d. Deslice un elástico de esquina debajo de la varilla telescópica de la abrazadera y colóquelo entre la perilla y el pasador del anillo moldeado. (Fig. 3.2)
- e. Repita en las esquinas opuestas.
- f. Revise y ajuste el dosel si es necesario, para asegurarse de que esté nivelado.

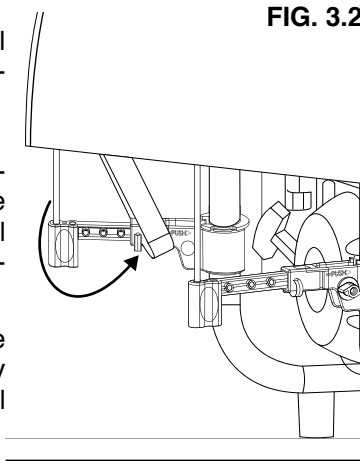


FIG. 3.2

Instale la plataforma del cuadro eléctrico

- a. A lo largo del borde inferior del dosel GenTent hay una solapa superior. Levante la solapa de esquina a esquina por encima de los enchufes eléctricos. Esto revelará un borde de gancho y bucle. (Figura 3.3)

ASAMBLEA

- b. Centre la plataforma del panel eléctrico frente al panel eléctrico del generador y presione la plataforma firmemente sobre el gancho y el lazo. El delantal se puede ajustar a la izquierda o a la derecha para que quede a una distancia mínima de 4 pulgadas del escape. **¡No bloquee el escape!**
- c. Voltee la tapa superior hacia abajo y sobre la plataforma eléctrica. Esto asegurará que el agua corra por el frente de la plataforma, manteniendo los enchufes eléctricos secos.



ADVERTENCIA

La cubierta GenTent debe instalarse sobre el silenciador de escape del generador. Instale la plataforma del panel eléctrico GenTent de manera que no pueda bloquear el escape de ninguna manera.

FIG. 3.3

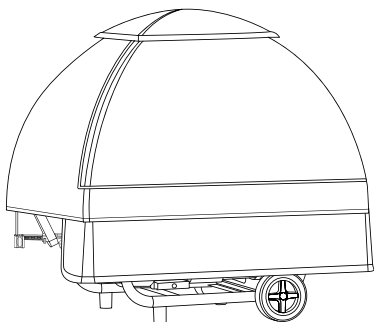
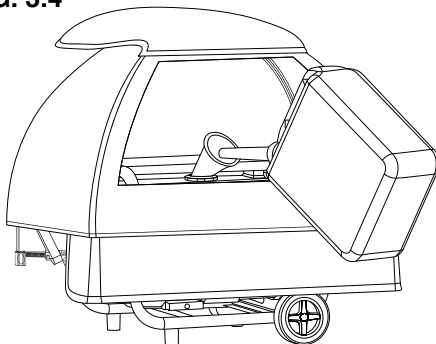


FIG. 3.4



Puerta de repostaje

La puerta de reabastecimiento de GenTent está diseñada para permitirle reabastecer fácilmente su generador sin quitar el GenTent. Después del uso, la puerta de repostaje se debe envolver alrededor del costado y presionar firmemente en su lugar. Si no se vuelve a sellar la puerta, es posible que el agua se filtre en el dosel. (figura 3.4)

Técnica adecuada de sellado de puertas:

- Alinee el gancho y el lazo en la parte inferior de la puerta de llenado de combustible y presione en su lugar.
- Presione la puerta de reabastecimiento de combustible alrededor del dosel y deslice las manos hacia abajo mientras aplica presión para sellar la puerta.

GARANTÍA LIMITADA

Qué está cubierto

Esta garantía cubre cualquier defecto en los materiales o en la mano de obra del toldo de seguridad GenTent® bajo uso normal con vientos pronosticados de hasta setenta mph y cargas de nieve de hasta dieciocho pulgadas, con las excepciones que se indican a continuación.

Cuánto dura la cobertura

La garantía se extiende a partir de la fecha que figura en el recibo de pedido de GenTent®. El periodo de garantía es de un (1) año para todos los modelos GenTent de la marca Westinghouse.

Lo que no está cubierto

Esta garantía no cubre problemas que resulten de una instalación incorrecta o problemas que resulten de no cumplir con las Advertencias y Precauciones como se indica en este Manual de instalación y seguridad del producto GenTent. Esta garantía no cubre la decoloración o decoloración causada por la exposición a la luz solar o productos químicos, ligeras diferencias de color de la tela o deterioro debido a la exposición a productos químicos. Esta garantía no cubre abuso, mal uso o negligencia, incluidos, entre otros; piezas perdidas, abrazaderas demasiado apretadas, bloqueo del escape de un generador portátil en funcionamiento con piezas del GenTent, o rasgaduras, rasgaduras o roturas debido a objetos afilados y/o pesados y/o que caen. Esta garantía no cubre problemas que surjan debido a modificaciones realizadas a su generador portátil o al GenTent® que no hayan sido especificadas por el fabricante.

Los productos o componentes GenTent devueltos sin un RMA y un comprobante de compra no están cubiertos (consulte Cómo obtener el servicio). Además, los daños consecuentes e incidentales no son recuperables bajo esta garantía. Algunos estados no permiten la exclusión o limitación de daños incidentales o consecuentes, por lo que es posible que la limitación o exclusión anterior no se aplique a usted.

Qué hará GenTent Safety Canopies LLC

Durante el plazo de esta Garantía, GenTent Safety Canopies, LLC reparará cualquier toldo GenTent o reemplazará cualquier marco o componente de abrazadera GenTent que demuestre tener defectos en los materiales o la mano de obra. En caso de que no sea posible reparar una marquesina GenTent, GenTent Safety Canopies reemplazará su marquesina GenTent por una nueva marquesina GenTent de composición y precio similares.

Cómo obtener servicio

Comuníquese con GenTent Safety Canopies LLC enviando un correo electrónico a customercare@gentent.com, llamando al 781-334-8368 o escribiéndonos a la dirección que aparece a continuación para analizar su inquietud sobre la garantía. Debe proporcionar una copia del recibo o albarán original que recibió como parte de su compra.

GenTent Safety Canopies, LLC
Attn: Customer Warranty Service
99 Pine Road
Brentwood, NH 03833

Cómo se aplica la ley estatal

Esta garantía le otorga derechos legales específicos, y es posible que también tenga otros derechos, que varían de un estado a otro.

REGISTRA TU COMPRA – ACTIVA TU GARANTÍA

Complete su registro en línea en www.gentent.com/westinghouse o complete esta tarjeta y envíela por correo a:

GenTent Safety Canopies
Attn: Product Registration
99 Pine Road
Brentwood, NH 03833

Tu información:

Nombre: _____

Dirección de correo electrónico: _____

Dirección: _____

Ciudad: _____

Estado: _____

País: _____

Código postal: _____

Número de teléfono: _____

Información de compra:

GenTent Fecha de compra: ____ / ____ / ____ (mm/dd/aaaa)

Lugar de compra GenTent: _____

Marca del generador: _____

Modelo de generador: _____

Además de activar la garantía de su producto, registrarse nos permite mantenernos en contacto con usted de vez en cuando con actualizaciones importantes del producto, consejos de seguridad del generador y ofertas especiales para clientes registrados. Tenga en cuenta que nunca compartimos su información de contacto.

TABLE DES MATIÈRES

Sécurité importante du produit	3
Important Operating Notes	4
Contenu du colis	5
Assembler et installer les pinces GenTent.....	6
Installer le cadre GenTent.....	10
Couvrir l'auvent GenTent.....	11
Installer un tablier électrique	11
Porte de ravitaillement.....	12
Astuce d'étanchéité de porte appropriée.....	12
Garantie limitée	13
Enregistrez votre achat - Activez votre garantie.....	14

Obtenir de l'aide est facile

Envoyez vos questions ou des photos de votre installation
par e-mail à customer care@gentent.com
Appelez notre service client au 781-334-8368
Discutez avec nous sur www.gentent.com

Guides d'installation, vidéos et addendums

Lisez les addendas d'installation spécialisés en ligne. www.gentent.com/docs
Lisez ce manuel en ligne www.gentent.com/manual
Vidéos d'installation www.gentent.com/installation

SÉCURITÉ IMPORTANTE DU PRODUIT

Veillez lire ces avertissements de sécurité importants :

⚠ AVERTISSEMENT NE JAMAIS bloquer ou recouvrir le silencieux d'échappement du générateur de quelque façon que ce soit. Si l'échappement souffle directement sur l'auvent GenTent, il est mal installé.

⚠ AVERTISSEMENT N'utilisez JAMAIS la GenTent sur un générateur avec un silencieux qui est ouvertement exposé au sommet du générateur. Ces générateurs ne sont pas éligibles et ANNULENT la GARANTIE de la GenTent.

⚠ AVERTISSEMENT N'utilisez JAMAIS la GenTent sur une génératrice située sur un véhicule ou une remorque en mouvement.

⚠ AVERTISSEMENT Éteignez TOUJOURS la génératrice avant de faire le plein ou d'effectuer toute procédure d'entretien.

⚠ AVERTISSEMENT Ne placez JAMAIS la porte de ravitaillement de la GenTent du même côté du générateur que le silencieux d'échappement. Un déversement d'essence peut provoquer un incendie. Utilisez toujours un entonnoir pour faire le plein.

⚠ AVERTIR NE PAS tirer sur les coins ouverts du capuchon supérieur GenTent.

⚠ AVERTIR Tenez TOUJOURS les tiges du cadre solidement pendant l'installation pour éviter le mouvement de fouet qui peut se produire si une tige du cadre tordue est accidentellement libérée.

⚠ AVERTIR ÉVITEZ d'utiliser votre générateur portable par vent supérieur à 70 mph.

NOTES IMPORTANTES SUR LE FONCTIONNEMENT

Veillez consulter ces notes d'utilisation importantes :

NOTE : Si la couverture GenTent bloque le démarreur à tirette, relâchez les sangles élastiques du côté du démarreur à tirette et soulevez temporairement l'auvent GenTent pour l'écarter.

NOTE : Lorsque vous utilisez GenTent pendant des tempêtes de neige, brossez périodiquement toute accumulation qui bloque l'évent supérieur ou entoure le générateur.

NOTE : La garniture inférieure de la verrière doit être alignée au niveau ou légèrement en dessous de l'endroit où le réservoir de carburant se connecte au châssis. Cela empêchera l'accumulation d'eau sur le réservoir de carburant et les gouttes potentielles vers les sorties. Le tablier électrique couvrira le haut de la pince qui doit être positionnée sous la prise électrique la plus basse.

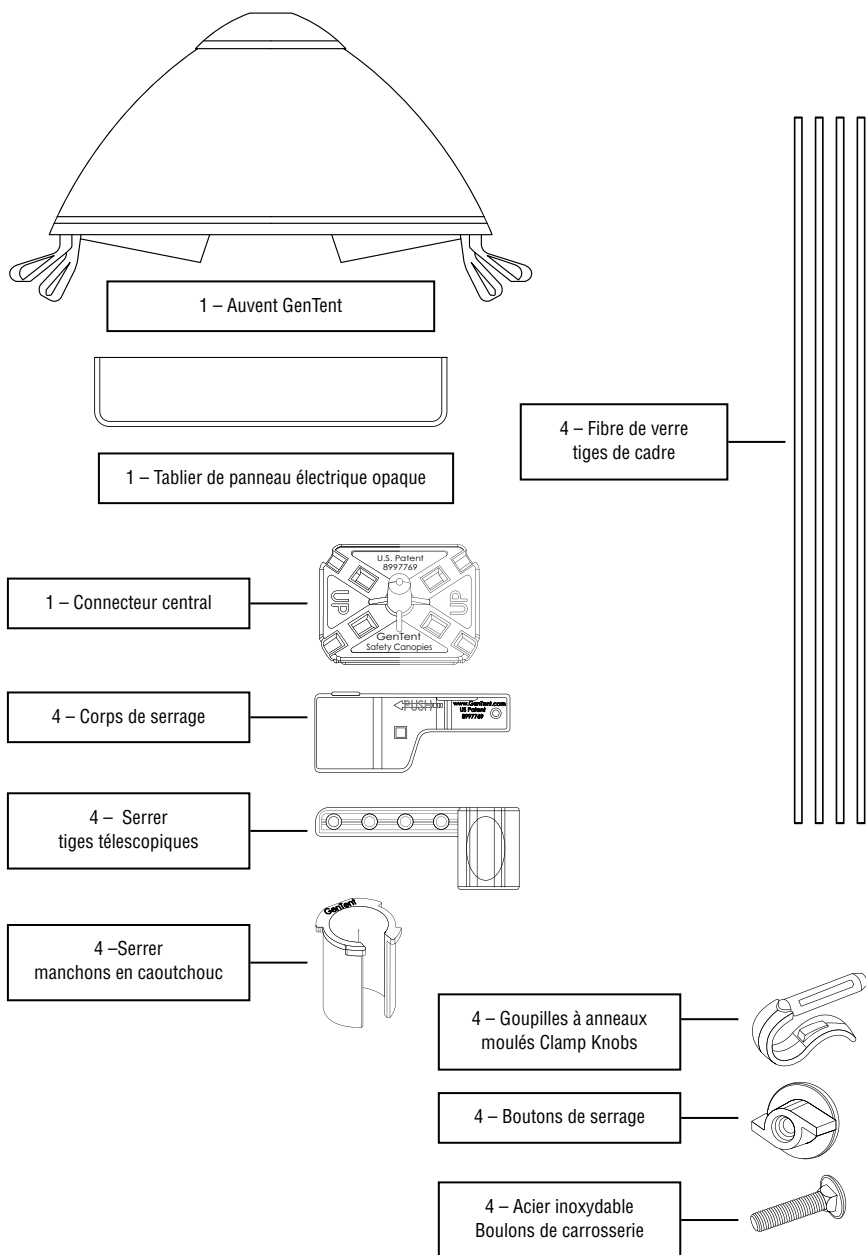
NOTE : Si la poignée du générateur provoque un étirement important des sangles élastiques lorsqu'elle est déployée, relâchez les sangles élastiques du côté poignée du générateur avant de déployer les poignées du générateur. Une fois le générateur dans la position souhaitée, abaissez la poignée et resserrez les sangles élastiques.

AVIS

Dans certains cas, une adaptation du cadre du générateur portable est nécessaire pour créer un point de montage approprié pour les pinces GenTent. La plupart des générateurs portables de marque Westinghouse n'ont pas besoin d'adaptation. Si vous avez besoin d'adapter votre cadre, des kits d'adaptation sont disponibles séparément au 781-334-8368.

1. Un coin doit être adapté car :
 - 1a. Un écran thermique de silencieux ou un autre panneau est connecté à un élément de cadre qui empêche autrement la pince GenTent de se fixer directement à l'emplacement approprié.
2. Quatre angles doivent être adaptés car :
 - 2a. Le générateur portable utilise un cadre tubulaire carré qui doit être adapté aux ouvertures rondes des pinces GenTent.
 - 2b. Le groupe électrogène portable est un très petit cadre et nécessite une extension de longueur et de largeur (voir les tableaux de réglage des pinces à la page 9).
 - 2c. Certaines petites génératrices Westinghouse dont le périmètre du châssis (longueur et largeur sans compter les roues ou les poignées) se situe entre 68 po (190,5 cm) et 80 po (203,2 cm) entrent dans la catégorie des petits châssis.

CONTENU DU COLIS



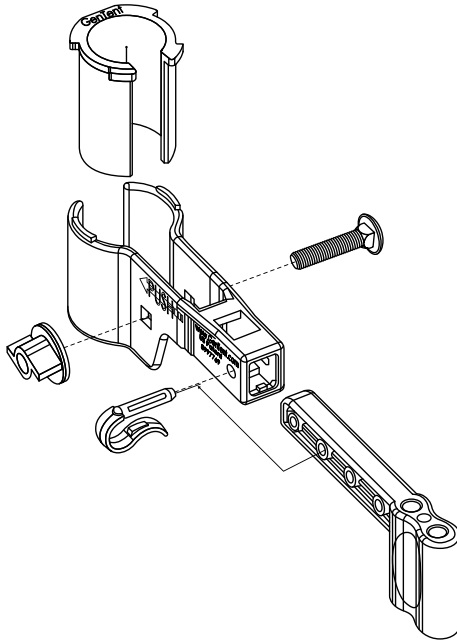
ASSEMBLÉ

1. ASSEMBLER ET INSTALLER LES PINCES GENTENT

Pour assembler les pièces de serrage (Fig. 1.1)

- Faites glisser la tige de serrage télescopique dans le corps de serrage, insérez une goupille annulaire moulée pour maintenir le tige télescopique en place.
- Poussez le boulon de carrosserie à travers un côté de la pince et à travers le corps de la pince.
- Installez sans serrer le bouton de serrage sur le boulon de carrosserie. Le bouton peut être installé de chaque côté de la pince ; celui qui est le moins obstrué par le châssis du générateur.
- Conservez le manchon en caoutchouc, reportez-vous à l'étape h "*Installer la pince sur le châssis du générateur*".

FIG. 1.1



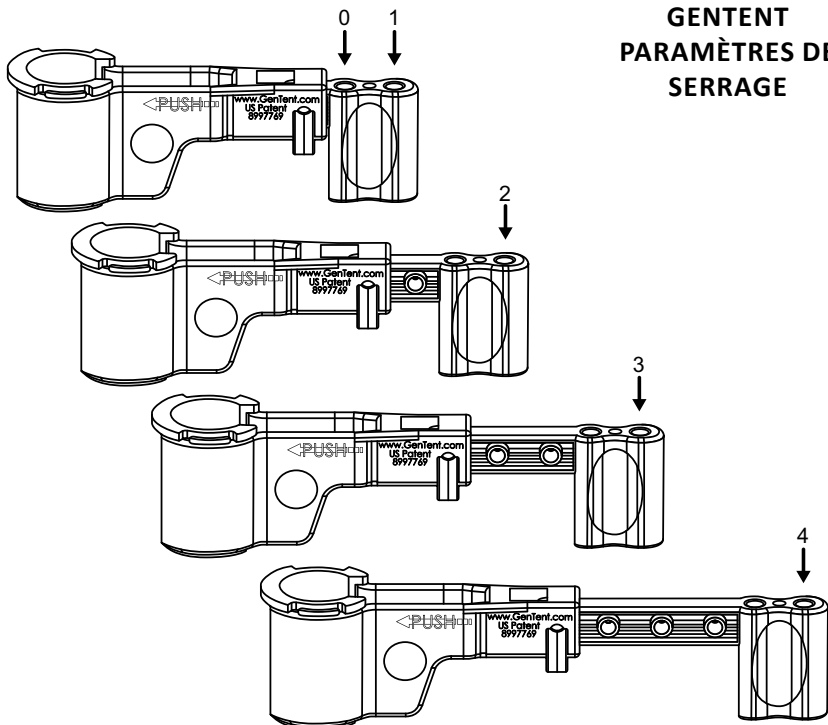
ASSEMBLÉ

Réglage de la goupille de réglage de la tige (Fig. 1.2)

- e. Mesurez la longueur et la largeur du cadre de votre générateur. Mesurez uniquement le bord extérieur du poteau de cadre vertical au poteau de cadre vertical. **NE PAS** inclure la mesure des roues ou des poignées.
- f. Utilisez le guide de réglage facile pour référencer le réglage de la pince pour votre GenTent (page 8).
- g. Faites correspondre la longueur et la largeur mesurées de votre générateur à la Guide de réglage facile pour déterminer le numéro de jeu de broches. Ajuster la tige télescopique dans le trou approprié et installez le goupille à anneau pour sécuriser. (Fig 1.2)

NOTE : Lors de l'installation des tiges de cadre pour les réglages 2, 3 et 4, la tige de cadre doit être placée dans le trou le plus à l'extérieur. Les

FIG. 1.2



GUIDE DE RÉGLAGE FACILE

	23	23.5	24	24.5	25	25.5	26	26.5	27	27.5	28	28.5	29	29.5	30	30.5	31	31.5	32
Longueur du cadre (pouces)	22.5	3	3	3	3	2	2	2	2	2	1	1	1	0	0	0	0	0	0
	22	4	3	3	3	3	2	2	2	2	2	1	1	1	0	0	0	0	0
	21.5	4	4	3	3	3	2	2	2	2	1	1	1	1	0	0	0	0	0
	21	4	4	4	3	3	3	2	2	2	2	2	1	1	1	0	0	0	0
	20.5	4	4	4	4	3	3	3	3	2	2	2	2	1	1	1	0	0	0
Largeur du cadre (pouces)	20	4	4	4	4	3	3	3	3	2	2	2	2	1	1	1	0	0	0
	19.5	4	4	4	4	4	3	3	3	2	2	2	2	1	1	1	1	0	0
	19	4	4	4	4	4	4	3	3	3	2	2	2	2	1	1	1	1	0
	18.5	4	4	4	4	4	4	4	3	3	3	2	2	2	2	1	1	1	0
	18	4	4	4	4	4	4	4	4	3	3	2	2	2	2	1	1	1	1
	17.5	4	4	4	4	4	4	4	4	3	3	3	2	2	2	2	1	1	1
	17	4	4	4	4	4	4	4	4	4	3	3	3	2	2	2	1	1	1
	16.5	SMALL	4	4	4	4	4	4	4	4	4	3	3	3	2	2	2	1	1
	16	SMALL	SMALL	4	4	4	4	4	4	4	4	3	3	3	2	2	2	1	1

Notes sur le réglage :

0 : Utilisez la fente de la tige du cadre intérieur sur la tige télescopique de la pince Gentent

Petit : Nécessite une extension de cadre à l'aide de l'adaptateur de cadre GTU

Taille du générateur au-delà des spécifications d'ajustement Gentent

ASSEMBLÉ

réglages 0 et 1 sont le même réglage de serrage, le trou de la tige du cadre pour le réglage 0 est celui à l'intérieur (le plus proche du générateur) et le trou de la tige du cadre pour le réglage 1 est celui à l'extérieur (le plus éloigné du générateur).

Installer la pince sur le cadre du générateur

h. Fixez directement au poteau vertical du cadre, et positionnez le bord supérieur du manchon en caoutchouc à l'une des positions suivantes :

1. 9" en dessous de l'endroit où le réservoir d'essence rencontre le cadre, ou
2. 1/2 po sous la prise électrique la plus basse (selon l'emplacement le plus bas sur le châssis de la génératrice).

i. Glisser le manchon en caoutchouc autour du poteau vertical du cadre, en tournant le manchon en caoutchouc de manière à ce que l'ouverture soit orientée à l'opposé du générateur. (Fig. 1.3) Certaines installations peuvent ne pas permettre à la bouche du manchon en caoutchouc d'être tournée vers l'extérieur, c'est OK.

j. Poussez l'ouverture de la pince directement sur le cadre, sous le manchon en caoutchouc. (Fig. 1.4) Faites ensuite glisser la pince vers le haut et sur le manchon en caoutchouc. (Fig. 1.5) Cela vous permet d'installer la pince sans ouvrir la bouche de la pince.

k. Positionnez la pince en diagonale par rapport au châssis du générateur, généralement à 45 degrés.

l. Serrez le bouton de la pince, cela ne nécessite généralement que 2 à 3 tours complets une fois que vous sentez une résistance contre le corps de la pince.

m. Répétez la procédure sur les trois côtés restants : placez les pinces à la même hauteur.

NOTE : Il faut éviter de trop serrer le bouton de serrage. Si vous remarquez que la bouche de la pince s'éloigne du montant vertical du

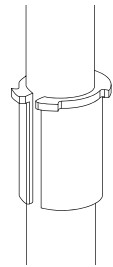


FIG. 1.3

FIG. 1.4

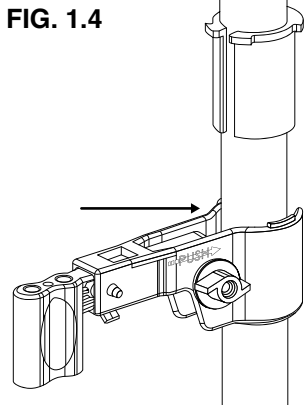
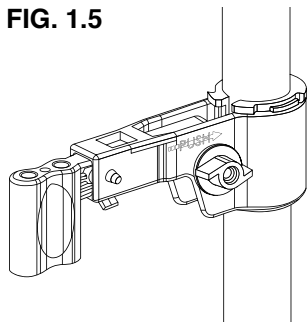


FIG. 1.5



ASSEMBLÉ

cadre, vous avez trop serré et le bouton doit être desserré.

2. INSTALLER LE CADRE GENTENT

- Orientez le connecteur central avec la goupille d'évent vers le haut et positionnez le connecteur central pour qu'il corresponde à l'alignement du générateur, côtés court et long, respectivement.
- Insérez la première tige de cadre dans le connecteur central, en vous assurant qu'elle est bien en place dans le connecteur. (Fig. 2.1). Insérez toujours la tige du cadre dans le connecteur central avant de l'insérer dans la pince.
- Insérez complètement l'autre extrémité de la tige du cadre dans le trou de serrage correspondant position. (Fig. 2.2)



AVERTIR

Saisissez toujours fermement les tiges du cadre et le connecteur central pendant l'installation pour éviter le mouvement de fouet qui peut se produire si une tige en fibre de verre pliée est relâchée par erreur.

- Installez les tiges du cadre dans le connecteur central selon un motif entrecroisé. Assurez-vous toujours de saisir fermement l'extrémité libre de la tige du cadre. Pliez ensuite l'extrémité libre vers la pince et insérez-la complètement dans le bon trou.
- Répétez l'opération pour les tiges de cadre restantes.

FIG. 2.1

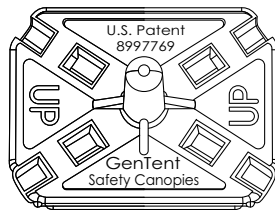


FIG. 2.2

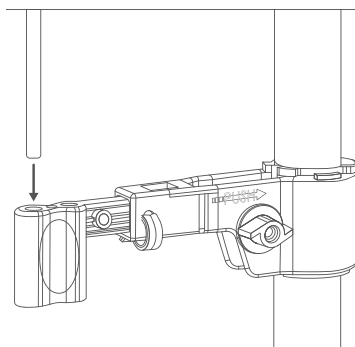
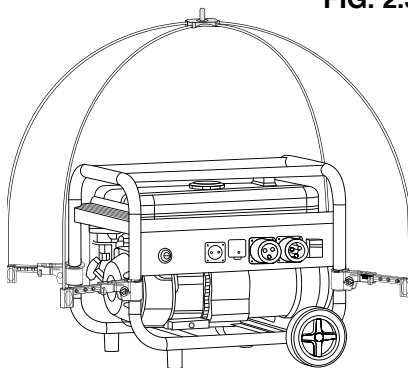


FIG. 2.3



ASSEMBLÉ

- f. Vérifiez les pinces; les tiges du cadre doivent être entièrement insérées dans les pinces. (Fig. 2.3) La pince peut présenter une légère inclinaison vers le haut; cela est dû à la force appliquée à la pince par les tiges en fibre de verre.

3. COUVRIR LE GENTENT

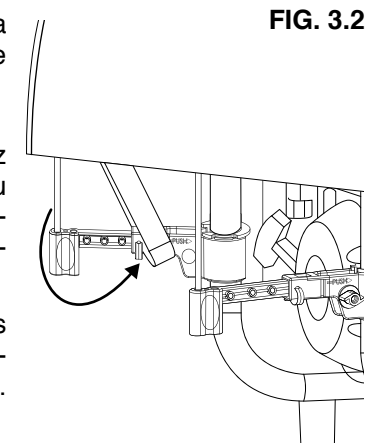
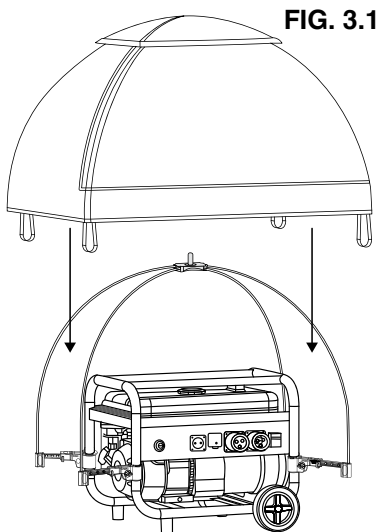
- a. Saisissez la GenTent par le centre du capuchon supérieur, ouvrez la verrière de la GenTent et placez-la sur le cadre de la GenTent. Ne tirez pas sur les coins ouverts du top cap; ce sont pour la ventilation.
- b. Placez l'auvent GenTent sur le cadre. Centrez le capuchon supérieur sur la broche centrale du connecteur. (Fig. 3.1)
- c. Assurez-vous que la couverture de la canopée GenTent est généralement égale et de niveau.

⚠ AVERTISSEMENT Ne placez jamais la trappe de ravitaillement du même côté de la génératrice que le silencieux d'échappement. L'essence renversée peut provoquer un incendie.

- d. Faites glisser un élastique de coin sous la tige télescopique de la pince et placez-le entre le bouton et la goupille moulée. (Fig. 3.2)
- e. Répétez sur les coins opposés.
- f. Examiner et ajuster la verrière si nécessaire, pour s'assurer qu'elle est de niveau.

Installer le tablier du panneau électrique

- a. Le long du bord inférieur de l'auvent GenTent se trouve un sur-rabat. Relevez le rabat d'un coin à l'autre au-dessus des prises électriques. Cela révélera une garniture de crochet et de boucle. (Fig. 3.3)



ASSEMBLÉ

- b. Centrez le tablier du panneau électrique devant le panneau électrique du générateur et appuyez fermement le tablier sur le crochet et la boucle. Le tablier peut être ajusté à gauche ou à droite afin qu'il reste à un minimum de 4 pouces de l'échappement. **Ne bouchez pas l'échappement!**
- c. Retournez le sur-rabat vers le bas et sur le tablier électrique. Cela garantira que l'eau coule sur le devant du tablier, gardant les prises électriques au sec.

⚠ AVERTISSEMENT L'auvent GenTent doit être installé au-dessus du silencieux d'échappement du générateur. Installez le tablier du panneau électrique GenTent de manière à ce qu'il ne puisse en aucun cas bloquer l'échappement.

FIG. 3.3

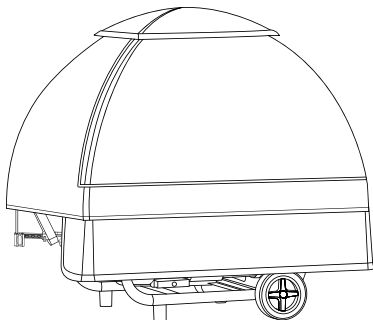
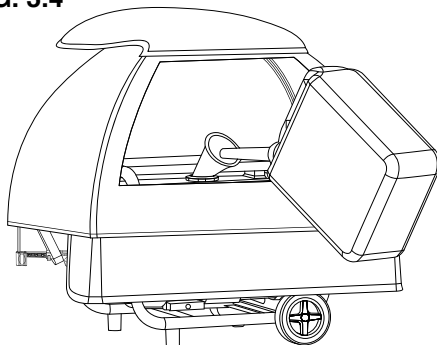


FIG. 3.4



Porte de ravitaillement

La porte de ravitaillement GenTent est conçue pour vous permettre de ravitailler facilement votre groupe électrogène sans retirer la GenTent. Après utilisation, la trappe de ravitaillement doit être enroulée sur le côté et pressée fermement pour la remettre en place. Ne pas refermer la porte peut permettre à l'eau de s'infiltrer dans l'auvent. (Fig. 3.4)

Bonne technique de scellement de porte :

- Alignez le crochet et la boucle au bas de la porte de ravitaillement et appuyez en place.
- Appuyez sur la porte de ravitaillement autour de la verrière et faites glisser vos mains vers le bas tout en appliquant une pression pour sceller la porte.

GARANTIE LIMITÉE

Ce qui est couvert

Cette garantie couvre tous les défauts de matériaux ou de fabrication de l'auvent de sécurité GenTent® dans des conditions normales d'utilisation avec des vents prévus jusqu'à soixante-dix mph et des charges de neige jusqu'à dix-huit pouces, avec les exceptions indiquées ci-dessous.

Combien de temps dure la couverture

La garantie court à partir de la date figurant sur votre reçu de commande GenTent®. La période de garantie est d'un (1) an pour tous les modèles GenTent de marque Westinghouse.

Ce qui n'est pas couvert

Cette garantie ne couvre pas les problèmes résultant d'une installation incorrecte ou les problèmes résultant du non-respect des avertissements et mises en garde indiqués dans ce manuel d'installation et de sécurité du produit GenTent. Cette garantie ne couvre pas la décoloration ou la décoloration causée par l'exposition à la lumière du soleil ou aux produits chimiques, les légères différences de couleur des tissus ou la détérioration due à l'exposition aux produits chimiques. Cette garantie ne couvre pas l'abus, la mauvaise utilisation ou la négligence, y compris, mais sans s'y limiter ; des pièces perdues, des colliers de serrage excessifs, le blocage d'un échappement de générateur portable en marche avec des parties de la GenTent, ou des déchirures, des déchirures ou des ruptures dues à des objets tranchants et/ou lourds et/ou qui tombent. Cette garantie ne couvre pas les problèmes résultant de modifications apportées à votre générateur portable ou à la GenTent® qui n'ont pas été spécifiées par le fabricant.

Les produits ou composants GenTent retournés sans RMA et preuve d'achat ne sont pas couverts (voir Comment obtenir un service). De plus, les dommages consécutifs et accessoires ne sont pas récupérables dans le cadre de cette garantie. Certains États n'autorisent pas l'exclusion ou la limitation des dommages accessoires ou consécutifs, de sorte que la limitation ou l'exclusion ci-dessus peut ne pas s'appliquer à vous.

Ce que GenTent Safety Canopies LLC fera

Pendant la durée de cette garantie, GenTent Safety Canopies, LLC réparera tout auvent GenTent ou remplacera tout cadre ou composant de serrage GenTent qui s'avère défectueux au niveau des matériaux ou de la fabrication. Dans le cas où la réparation d'un auvent GenTent n'est pas possible, GenTent Safety Canopies remplacera votre auvent GenTent par un nouvel auvent GenTent de composition et de prix similaires.

Comment obtenir un service

Contactez GenTent Safety Canopies LLC en envoyant un e-mail à customercare@gentent.com, en appelant le 781-334-8368 ou en nous écrivant à l'adresse ci-dessous pour discuter de votre problème de garantie. Vous devez fournir une copie du reçu original ou du bordereau d'expédition que vous avez reçu dans le cadre de votre achat.

GenTent Safety Canopies, LLC
Attn: Customer Warranty Service
99 Pine Road
Brentwood, NH 03833

Comment la loi de l'État s'applique

Cette garantie vous donne des droits légaux spécifiques, et vous pouvez également avoir d'autres droits, qui varient d'un état à l'autre.

ENREGISTREZ VOTRE ACHAT - ACTIVEZ VOTRE GARANTIE

Complétez votre inscription en ligne sur www.gentent.com/westinghouse ou remplissez cette carte et envoyez-la à :

GenTent Safety Canopies
Attn: Product Registration
99 Pine Road
Brentwood, NH 03833

Vos informations :

Nom : _____

Adresse e-mail : _____

Adresse : _____

Ville : _____

État : _____

Pays : _____

Code Postal : _____

Numéro de téléphone : _____

Informations d'achat :

Date d'achat GenTent : ____ / ____ / ____ (jj/dd/aaaa)

Lieu d'achat GenTent : _____

Marque du générateur : _____

Modèle de générateur : _____

En plus d'activer la garantie de votre produit, l'enregistrement nous permet de rester en contact avec vous de temps à autre avec des mises à jour importantes sur les produits, des conseils de sécurité pour les générateurs et des offres spéciales pour les clients enregistrés. Veuillez noter que nous ne partageons jamais vos coordonnées.



www.WestinghouseOutdoorPower.com

Service Hotline: (855) 944-3571

**777 Manor Park Drive
Columbus, OH 43228**

™ and Westinghouse are trademarks of Westinghouse Electric Corporation.
Used under license by MWE Investments, LLC.

© 2023 MWE Investments, LLC All Rights Reserved.

wGenTent Rev01
WH-DOC-OF Rev01 2/23