

WAYNE BASEMENT GUARDIAN™

Model: BGSP50

PREMIUM DIGITALLY CONNECTED TOTAL BASEMENT PROTECTION SUMP SYSTEM

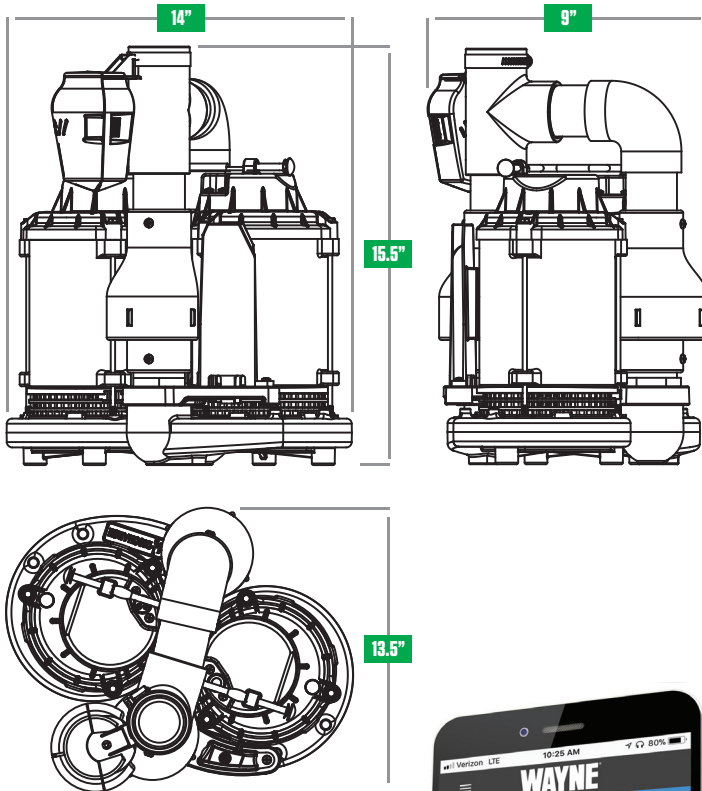
CONSTRUCTION

- Complete, pre-plumbed sump pumps for easy installation in as little as 15 minutes
- Two fully submersible, nested, all cast iron, AC (primary) & DC (back up) sump pumps
- “Drop in the pit” ready, complete with two (2) pre-installed 1-1/2 in check valves
- 1-1/2 In. discharge for easy installation and compliance with building codes
- For use in 14 in. diameter or larger sump basins
- Redundant reed float switch with protective float cage

TECHNOLOGY

- Apple IOS and Android APPs for continuous monitoring, even when the power is out
- Innovative Local Link™ technology transmits data to the APP during power outages when the WiFi router is down
- Remote display box displays; hours of pumping power, battery health and charge, and water level
- FULLY REDUNDANT dual independent processor encased in a protective aluminum shell
- Solid State Air Switch replaces the mechanical float which is the most common point of failure on a sump pump





DIGITALLY CONNECTED DUAL CAST IRON BATTERY BACK UP SUMP SYSTEM

Model: Wayne Basement Guardian™

PUMP SNAPSHOT

- **HP** - 1/2 HP Primary / 1/7 HP Back Up
- **Construction** - All Cast Iron
- **Switch Type** - Pressure Activated Air Switch
- **Motor** - 1/2 HP PSC 120 Volt Primary AC motor **Motor** - 120W / 12-Volt Back Up
- **Impellers** - Centrifugal
- **Intakes** - Top Suction (Both)
- **Discharge** - 1 1/2 In.
- **Submersible** - Yes
- **UPC** - 040066218339

PUMP SPECIFICATIONS

- **Length** - 13 1/2 In.
- **Width** - 9 In.
- **Height** - 15 1/2 In.
- **Weight** - 66 Lbs.
- **Footprint** - 14 In.
- **Power Cord** - 10 Ft.

PERFORMANCE

- **Primary** - 1/2 HP - Max Flow 85 GPM: 64 GPM @ 10'
- **Secondary** - 12 VOLT - Max Flow 48 GPM: 32 GPM @ 10'
- **Combined** - Max Flow 109 GPM: 76 GPM @ 10'

FLOW RATE: GALLONS PER MINUTE

Model: Wayne Basement Guardian™	FEET OF DYNAMIC HEAD			
	0'	5'	10'	15'
Primary	85	76	64	50
Secondary	49	44	34	24
Combined	109	94	76	56

5 YEAR LIMITED WARRANTY

- Assembled in USA with Foreign and Domestic Parts
- Requires one (1) 75 Amp Wayne battery for operation

