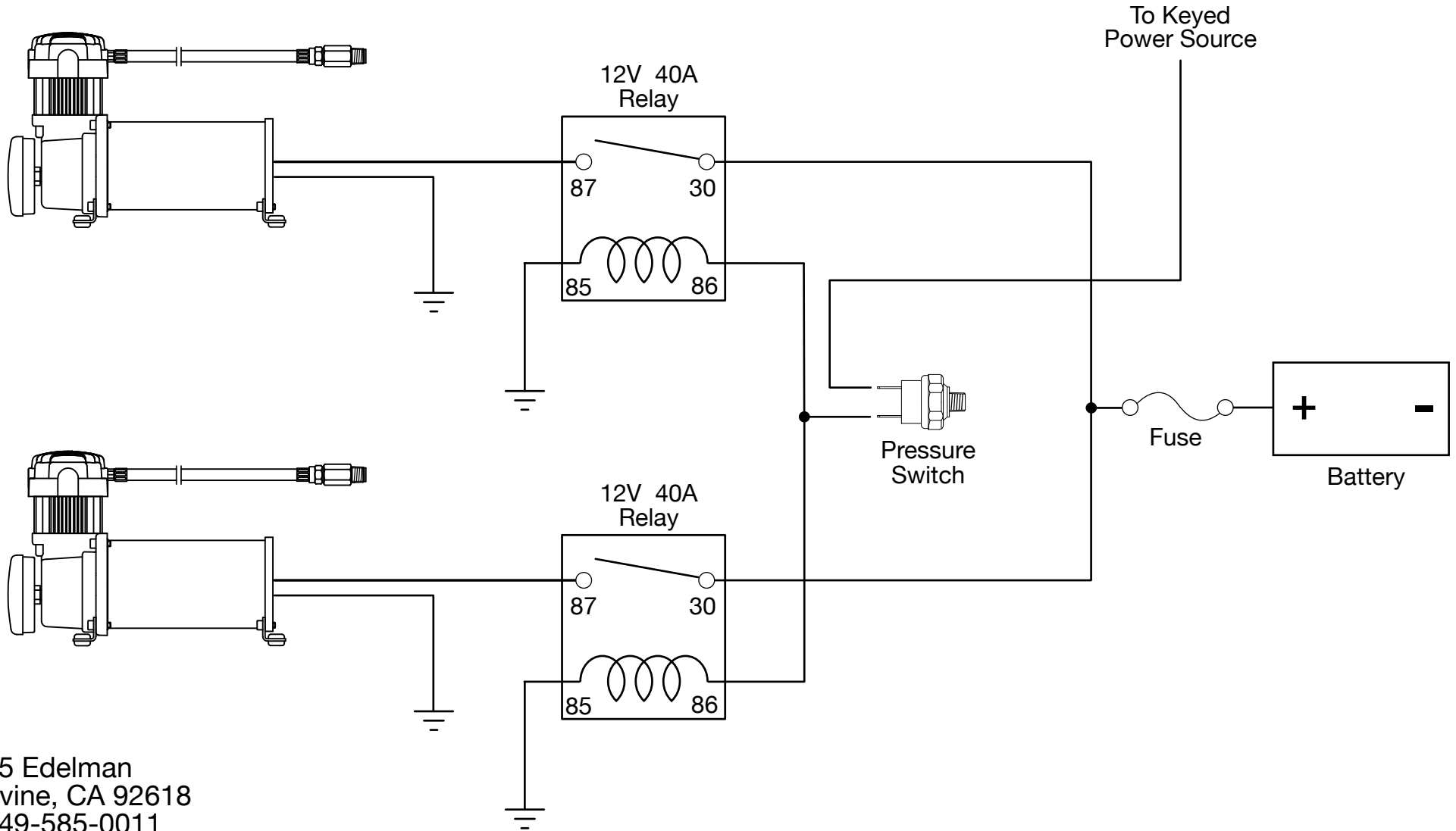




Your Vital Air Source

P/N 20013, 20015, 20017, 20019 DUAL OBA SYSTEM WIRING DIAGRAM



15 Edelman
Irvine, CA 92618
949-585-0011
www.viaircorp.com