

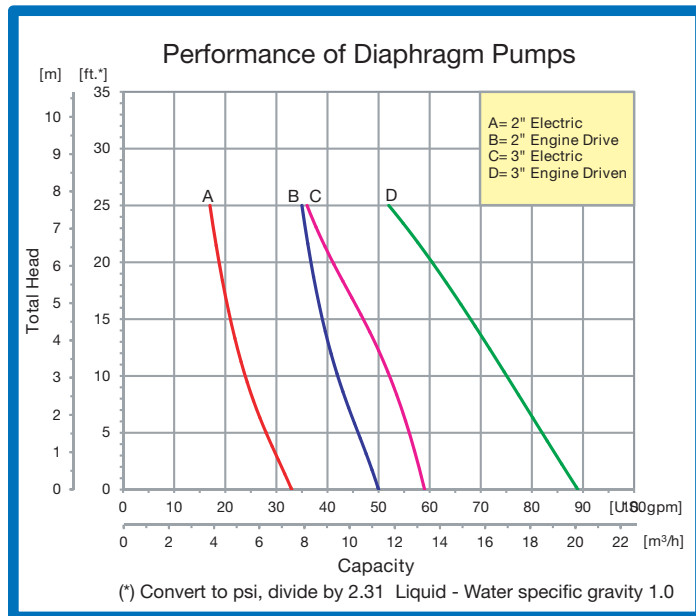


# TD5 Self-Priming Diaphragm Pumps



- Sand cast aluminum construction for portability and durability
- Thermoplastic santoprene diaphragm
- 2" or 3" NPT suction and discharge ports
- Self-priming to 25 ft. Lift
- Maximum solids handling up to 1-5/8"
- Modular component design permits easy maintenance and cleanout
- Driver options: Gasoline, diesel or electric single & three phase motors
- Delivers up to 90 gpm
- 90° rotatable base on all models

The Tsurumi Pump diaphragm pumps features a 2-stage, heavy duty forged gear driven transmission. Often referred to as Mud or Sludge Pumps, diaphragm pumps are designed to pump mud, slurry, sewage and thick liquids that have the ability to flow. Tsurumi Pump diaphragm pumps are available with a choice of drivers to meet your application requirements: gasoline, diesel or single or three phase electric motor. Built-in check valve assures self-priming to 20 feet after initial prime. Heavy duty forged gear driven transmission is designed to operate pump at 40 strokes per minute for electric motor models and 60 strokes per minute for engine driven models. Each unit includes a 2" or 3" NPT steel suction strainer, two NPT nipples and a wheel kit for portability. **Suction and discharge port sizes cannot be reduced.**



TSURUMI (AMERICA), INC.  
1625 Fullerton Court Glendale Heights, IL 60139  
Tel: 1-888-878-7864 • [www.tsurumipump.com](http://www.tsurumipump.com)



# TD5 Self-Priming Diaphragm Pumps

## 2" Self-Priming Diaphragm Pumps

Model	Curve	Driver	Run Time (Hours)	Tank Size (Gal./Ltr.)	Ship Wt. (lbs.)	SUC*	DIS*	L**	W**	H**
TD5-200	B	Honda GX120	2.0	0.52/2.0	160	2 "	2 "	43.3[110.1]	20.1[51.0]	23.2[59.0]
TD5E-200	A	1.5HP Electric Motor	N/A	N/A	165	2 "	2 "	44.1[112.0]	20.1[51.0]	23.2[59.0]

Maximum solids handling capacity: 1-1/4" diameter

## 3" Self-Priming Diaphragm Pumps

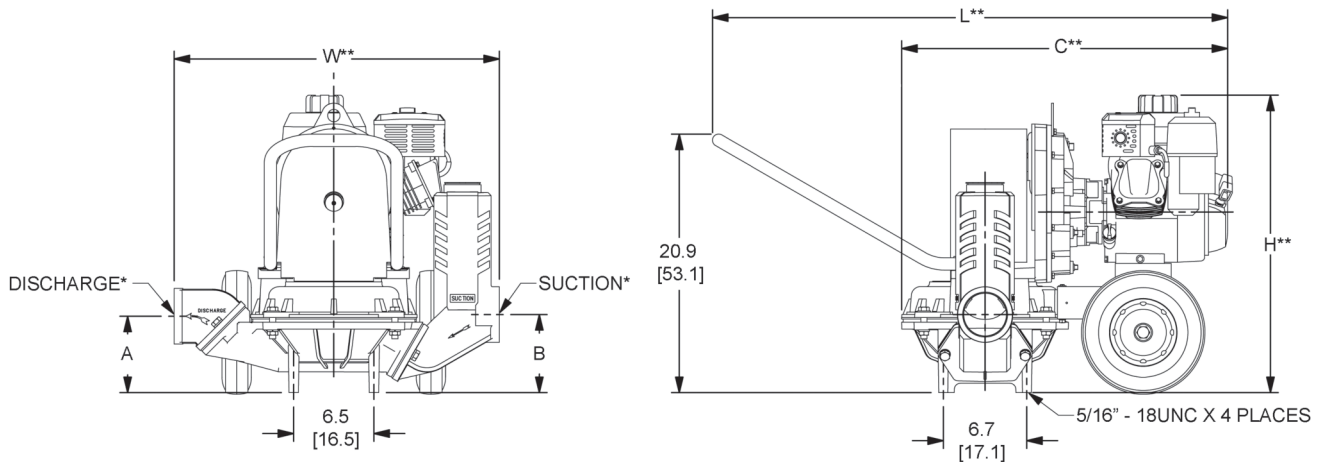
Model	Curve	Driver	Run Time (Hours)	Tank Size (Gal./Ltr.)	Ship Wt. (lbs.)	SUC*	DIS*	L**	W**	H**
TD5-300	D	Honda GX120	2.0	0.52/2.0	175	3"	3"	43.4[110.1]	26.4[67.0]	23.4[59.4]
TD-E-300	C	1.5HP Electric Motor	N/A	N/A	185	3"	3"	44.1[112.0]	26.4[67.0]	23.4[59.4]

Maximum solids handling capacity: 1-5/8" diameter

(\*) Standard NPT (female) pipe thread

(\*\*) This dimension may vary due to engine manufacturer's specifications.

NOTE: Dimensions are in inches [centimeters] and have a tolerance of ±1/8"



Model	A	B	C**
TD5(E)-200	6.2 [15.7]	6.3[16.0]	28.6[72.7]
TD5(E)-300	6.2 [15.7]	6.3[16.0]	28.6[72.7]

\*\*This dimension may vary due to engine manufacturer's specifications.

NOTE: Dimensions are in inches (centimeters) and have a tolerance of +- 1/8".

### Standard Features

- Driver Options: Gasoline, Electric Single & Three Phase Motors
- 2" or 3" NPT Port Sizes
- Maximum Temperature 180°F
- Models TD5E-200/300 - 1.5 HP Single Phase, 115/230 VAC Motor with Manual Reset Overload



**TSURUMI (AMERICA), INC.**  
 1625 Fullerton Court Glendale Heights, IL 60139  
**Tel: 1-888-878-7864 • www.tsurumipump.com**