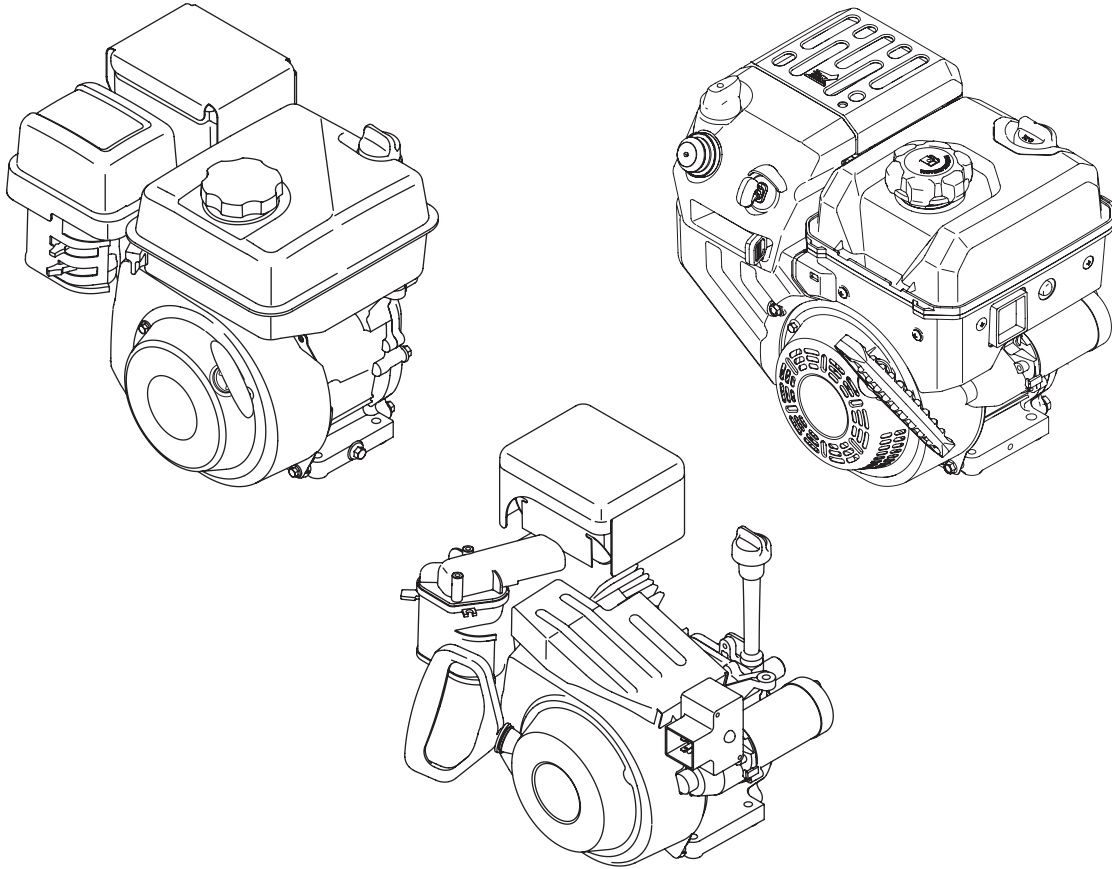


OPERATOR'S MANUAL



179cc, 208cc & 243cc OHV Horizontal Shaft Engine

⚠ WARNING

**READ AND FOLLOW ALL SAFETY RULES AND INSTRUCTIONS IN THIS MANUAL
BEFORE ATTEMPTING TO OPERATE THIS MACHINE.
FAILURE TO COMPLY WITH THESE INSTRUCTIONS MAY RESULT IN PERSONAL INJURY.**

MTD LLC, P.O. BOX 361131 CLEVELAND, OHIO 44136-0019



Thank You

This Operator’s Manual is an important part of your new engine. It will help you prepare and maintain the engine for the best performance. Please read and understand the contents before operating the engine.

Table of Contents

<i>Safe Operation Practices</i>	3	<i>Maintenance</i>	11
<i>Safety Symbols</i>	4	<i>Troubleshooting</i>	15
<i>Set-Up</i>	5	<i>Replacement Parts</i>	16
<i>Controls & Features</i>	7	<i>Emission Statement/Warranty</i>	19
<i>Operation</i>	8	<i>Spanish</i>	21

Record Product Information

Before operating your new engine, please locate the model plate on the engine and record the information in the provided area

to the right. This information will be necessary, should you seek technical support via our web site or with your local dealer.

MODEL NUMBER/SERIAL NUMBER

<input type="text"/>	<input type="text"/>	<input type="text"/>	<input type="text"/>	<input type="text"/>	<input type="text"/>	<input type="text"/>	<input type="text"/>	/	<input type="text"/>	<input type="text"/>	<input type="text"/>	<input type="text"/>	<input type="text"/>	<input type="text"/>	<input type="text"/>	<input type="text"/>	<input type="text"/>	<input type="text"/>	<input type="text"/>
----------------------	----------------------	----------------------	----------------------	----------------------	----------------------	----------------------	----------------------	---	----------------------	----------------------	----------------------	----------------------	----------------------	----------------------	----------------------	----------------------	----------------------	----------------------	----------------------

Customer Support

Please do NOT return the machine to the retailer or dealer without first contacting our Customer Support Department.

If you have difficulty with this product or have any questions regarding the controls, operation, or maintenance of this engine, you can seek help from the experts. Choose from the options below:

- ◇ Visit us on the web at www.mtdproducts.com
- ◇ Call a Customer Support Representative at (800) 800-7310 or (330) 220-4683
- ◇ Write us at MTD LLC • P.O. Box 361131 • Cleveland, OH • 44136-0019

⚠ WARNING!

This symbol points out important safety instructions which, if not followed, could endanger the personal safety and/or property of yourself and others. Read and follow all instructions in this manual before attempting to operate the equipment. Failure to comply with these instructions may result in personal injury. When you see this symbol. **HEED ITS WARNING!**

⚠ WARNING!

CALIFORNIA PROPOSITION 65

Engine Exhaust, some of its constituents, and certain vehicle components contain or emit chemicals known to State of California to cause cancer and birth defects or other reproductive harm.

⚠ DANGER!

This engine was built to be operated according to the safe operation practices in this manual. As with any type of power equipment, carelessness or error on the part of the operator can result in serious injury. Failure to observe the following safety instructions could result in serious injury or death.

Preparation

1. Wear sturdy, rough-soled work shoes and close fitting slacks and shirts. Loose fitting clothes or jewelry can be caught in the moving parts. Never operate the machine in bare feet or sandals.
2. Disengage clutch levers and shift (if equipped) into neutral ("N") before starting the engine.
3. Never leave the engine running while unattended.
4. Never attempt to make any adjustments while the engine is running, except where specifically recommended in the operator's manual.

Safe Handling of Gasoline:

To avoid personal injury or property damage, use extreme care in handling gasoline. Gasoline is extremely flammable and the vapors are explosive. Serious personal injury can occur when gasoline is spilled on yourself and/or your clothes which can ignite. Wash your skin and change clothes immediately.

1. When adding fuel, turn engine OFF and let engine cool at least 2 minutes before removing the gas cap.
2. Fill fuel tank outdoors or in well ventilated area.
3. Use only an approved gasoline container.
4. Never fill containers inside a vehicle or on a truck or trailer bed with a plastic liner. Always place containers on the ground away from your vehicle before filling.
5. If possible, remove gas-powered equipment from the truck or trailer and refuel it on the ground. If this is not possible, then refuel such equipment on a trailer with a portable container, rather than from a gasoline dispenser nozzle.
6. Keep the nozzle in contact with the rim of the fuel tank or container opening at all times until fueling is complete. Do not use a nozzle lock-open device.
7. Do not overfill fuel tank. Fill tank to full as indicated by the fuel level indicator installed inside of the fuel tank or marked on the tank. Do not over-fill to allow space for fuel expansion. On some models, a fuel level indicator may NOT be present, in this instance, fill the tank no more than 1/2 inch below the bottom of the filler neck to allow space for fuel expansion.
8. Replace fuel cap and tighten until the cap ratchets.
9. If gasoline is spilled, wipe it off the engine and the equipment. Move the machine to another area. Wait five minutes before starting the engine.

10. To reduce fire hazards, keep the machine free of grass, leaves or other debris build up. Clean up oil or fuel spillage and remove any fuel-soaked debris.
11. Keep gasoline away from sparks, open flames, pilot lights, heat, and other ignition sources.
12. Never fuel equipment indoors because flammable vapors will accumulate in the area.
13. Extinguish all cigarettes, cigars, pipes, and other sources of ignition.
14. Check fuel line, tank, cap, and fittings frequently for cracks or leaks. Replace if necessary.

Operation

1. When starting the engine, make sure spark plug, muffler, and fuel cap are in place.
2. Do not crank engine with spark plug removed.
3. If fuel spills, wait until it evaporates before starting engine.
4. Allow muffler, engine cylinder, and fins to cool before touching.
5. Keep children away from hot or running engines. They can suffer burns from a hot muffler.
6. Remove accumulated combustibles from muffler and cylinder area.
7. Operate equipment with all guards in place.
8. Keep hands and feet away from rotating parts.
9. Tie up long hair and remove jewelry.
10. Do not wear loose-fitting clothing, dangling drawstrings or items that could become caught.
11. When starting the engine, pull cord slowly until resistance is felt, then pull rapidly (if not electric start).
12. Remove all external equipment/engine loads before starting engine.
13. Direct coupled equipment components such as, but not limited to blades, impellers, pulleys, sprockets, etc., must be securely attached.

Training

1. Read, understand and follow all instructions on the engine and in the manual(s) before attempting to assemble and operate. Keep this manual in a safe place for future and regular reference and for ordering replacement parts.
2. Be familiar with all controls and their proper operation. Know how to stop the engine and disengage them quickly.
3. Never allow children under 14 years of age to operate the engine. Children 14 and over should read and understand the instructions and safe operation practices in this manual and be trained and supervised by an adult.
4. Never allow adults to operate the machine without proper instruction.
5. Keep the area of operation clear of all persons, particularly small children and pets. Stop machine if anyone enters the area.

Maintenance & Storage

1. Keep the engine in safe working order
2. Allow the engine to cool at least five minutes before storing. Never tamper with safety devices. Check their proper operation regularly.
3. Check bolts and screws for proper tightness at frequent intervals to keep the engine in safe working condition. Visually inspect the engine for any damage.
4. Before cleaning, repairing or inspecting; stop the engine and make certain all moving parts have stopped. Disconnect the spark plug wire and ground it against the engine to prevent unintended starting.
5. Do not change the engine governor settings or over-speed the engine. The governor controls the maximum safe operating speed of the engine.
6. Maintain and replace safety and instruction labels as necessary.

7. Always refer to the operator's manual for important details if the machine is to be stored for an extended period of time.
8. If the fuel tank has to be drained, do this outdoors.
9. Observe proper disposal laws and regulations for gas, oil, etc. to protect the environment.

Do not modify engine

To avoid serious injury or death, do not modify engine in any way. Tampering with the governor setting can lead to a runaway engine and cause it to operate at unsafe speeds. Never tamper with factory setting of engine governor.

Notice Regarding Emissions

Engines which are certified to comply with California and federal EPA emission regulations for SORE (Small Off Road Equipment) are certified to operate on regular unleaded gasoline, and may include the following emission control systems: Engine Modification (EM), Oxidizing Catalyst (OC), Secondary Air Injection (SAI) and Three Way Catalyst (TWC) if so equipped.

Spark Arrestor

▲ WARNING!

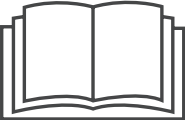




This machine is equipped with an internal combustion engine and should not be used on or near any unimproved forest-covered, brush covered or grass-covered land unless the engine's exhaust system is equipped with a spark arrestor meeting applicable local or state laws (if any).

If a spark arrestor is used, it should be maintained in effective working order by the operator. In the State of California the above is required by law (Section 4442 of the California Public Resources Code). Other states may have similar laws. Federal laws apply on federal lands.

A spark arrestor for the muffler is available through your nearest engine authorized service dealer or contact the service department, P.O. Box 361131 Cleveland, Ohio 44136-0019.

Safety Symbols

This page depicts and describes safety symbols that may appear on this product. Read, understand, and follow all instructions on the machine before attempting to assemble and operate.

Symbol	Description
	READ THE OPERATOR'S MANUAL(S) Read, understand, and follow all instructions in the manual(s) before attempting to assemble and operate.
	WARNING—GASOLINE IS FLAMMABLE Allow the engine to cool at least two minutes before refueling.
	WARNING— CARBON MONOXIDE Never run an engine indoors or in a poorly ventilated area. Engine exhaust contains carbon monoxide, an odorless and deadly gas.
	WARNING— ELECTRICAL SHOCK Do not use the engine's electric starter in the rain.
	WARNING— HOT SURFACE Engine parts, especially the muffler, become extremely hot during operation. Allow engine and muffler to cool before touching.

▲ WARNING! - SAVE THESE INSTRUCTIONS!

Your Responsibility — Restrict the use of this power machine to persons who read, understand and follow the warnings and instructions in this manual and on the machine.

Oil & Fuel Specifications

IMPORTANT: The engine is shipped without gasoline in the engine. See the following instructions for adding gasoline.

IMPORTANT: Some engines are shipped with oil already in the engine, others without oil already in the engine. It is very important to check the oil level before operating the engine and to add oil if necessary. Running the engine with insufficient oil can cause serious engine damage and void the engine warranty

Oil Recommendations

Before starting engine, fill with engine oil, capacity is 600 ml/20 oz. Refer to the viscosity chart ("Figure 3-1") for oil recommendations. Do not over-fill. Use a 4-stroke, or an equivalent high detergent, premium quality engine oil certified to meet or exceed U.S. automobile manufacturer's requirements for service classification of a minimum level SJ (higher letter ratings are acceptable such as SL and SM grades).

Engine oil will display this designation on the container.

NOTE: Do not use non-detergent oil or 2-stroke engine oil. It could shorten the engine's service life.

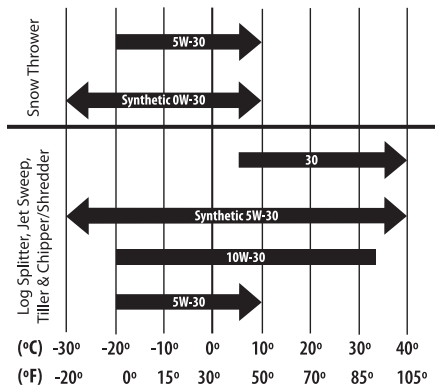


Figure 3-1

Checking the Oil Level

Some engines will have a quarter-turn oil fill/dipstick cap, others may have a threaded oil fill/dipstick cap. Follow the instructions next that apply to your engine model.

Checking Oil Level on Engines with Quarter-Turn Oil Fill Caps

NOTE: Be sure to check the oil while on a level surface with the engine stopped.

To avoid engine damage, it is important to:

- Check oil level before each use and every 5 operating hours when engine is warm. Check oil level more frequently during engine break-in.
- Keep oil level between "H" and "L" marks on dipstick. See "Figure 3-2".
- Be sure oil fill cap/plug is tightened securely when checking.

1. Remove the oil filler cap/dipstick and wipe the dipstick clean. See "Figure 3-2".
2. Insert the cap/dipstick into the oil filler neck, and tighten the cap until seated.
3. Remove the oil filler cap/dipstick. If the level is low, slowly add oil until oil level registers between high (H) and low (L), "Figure 3-2".
4. Replace and tighten cap/dipstick firmly before starting engine.

NOTE: Do not overfill. Overfilling with oil may cause smoking, hard starting, or spark plug fouling.

NOTE: DO NOT allow oil level to fall below the "L" mark on the dipstick. Doing so may result in equipment malfunctions or damage.

NOTE: To change the oil on your engine, see the Maintenance Section of this manual.

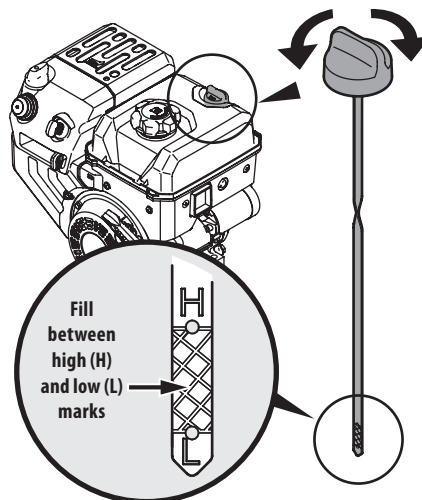


Figure 3-2

Checking Oil Level on Engines with Threaded Oil Fill Caps

NOTE: Be sure to check the oil while on a level surface with the engine stopped.

To avoid engine damage, it is important to:

- Check oil level before each use and every 5 operating hours when engine is warm. Check oil level more frequently during engine break-in.
- Keep oil level between "H" and "L" marks on dipstick. See "Figure 3-3".
- Be sure to rest oil fill cap on the threads when checking. Do not tighten down oil fill cap when checking the oil on threaded oil fill cap engines.

1. Remove the oil filler cap/dipstick and wipe the dipstick clean. See "Figure 3-3".
2. Insert the cap/dipstick into the oil filler neck, but do not screw it in.
3. Remove the oil filler cap/dipstick. If the level is low, slowly add oil until oil level registers between high (H) and low (L), "Figure 3-3".
4. Replace and tighten cap/dipstick firmly before starting engine.

NOTE: Do not overfill. Overfilling with oil may cause smoking, hard starting, or spark plug fouling.

NOTE: DO NOT allow oil level to fall below the "L" mark on the dipstick. Doing so may result in equipment malfunctions or damage.

NOTE: To change the oil on your engine, see the Maintenance Section of this manual.

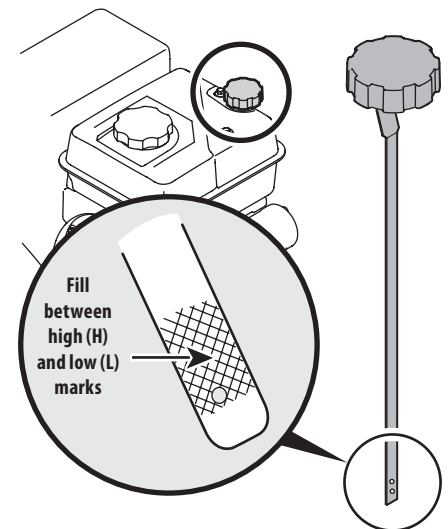


Figure 3-3

Filling Oil Sump

1. Be sure the engine is upright and level.
2. Remove the oil fill cap dipstick from oil filler tube by rotating counter-clockwise and lifting the dipstick out of the engine. Wipe the dipstick clean with a shop rag.
3. Insert oil fill cap dipstick back into oil filler tube. On quarter-turn oil fill caps, tighten by rotating the cap clockwise until firmly seated.

NOTE: Some units may have a **threaded dipstick**. In this instance, insert the cap/dipstick into the oil filler neck, but **do not screw it in to check**.

4. Loosen and remove the oil fill cap dipstick from the oil filler tube. Note the oil level, if oil reading on the dipstick is below the "L" mark, slowly add oil to reach the "H" level. See "Figure 3-2" or "Figure 3-3", whichever is applicable.
5. Insert oil fill cap dipstick back into oil filler tube. Tighten by rotating the cap clockwise until firmly seated.
6. Wipe away any spilled oil.

NOTE: To change the oil, see Checking and Changing Oil instructions in the Maintenance Section of this manual.

Fuel Recommendations

⚠ CAUTION

Operating the engine with E15 or E85 fuel, an oil/gasoline mixture, dirty gasoline, or **gasoline over 30 days old** without fuel stabilizing additive may result in damage to your engine's carburetor. Subsequent damage would **not** be covered under the manufacturer's warranty.

Use automotive gasoline (unleaded or low leaded to minimize combustion chamber deposits) with a minimum of 87 octane. Gasoline with up to 10% ethanol (E10) or 15% MTBE (Methyl Tertiary Butyl Ether) can be used. Never use an oil/gasoline mixture or dirty gasoline. Avoid getting dirt, dust, or water in the fuel tank. **DO NOT use E15 or E85 gasoline.**

⚠ WARNING!

Gasoline is extremely flammable and is explosive under certain conditions.

- Refuel in a well-ventilated area with the engine stopped. Do not smoke or allow flames or sparks in the area where the engine is refueled or where gasoline is stored.
- Do not overfill the fuel tank. After refueling, make sure the tank cap is closed properly and securely.
- Be careful not to spill fuel when refueling. Spilled fuel or fuel vapor may ignite. If any fuel is spilled, make sure the area is dry before starting the engine.
- Avoid repeated or prolonged contact with skin or breathing of vapor.

Adding Fuel

⚠ WARNING!

An adult should fuel this engine. **NEVER** allow children to refuel the engine. Gasoline (fuel) vapors are highly flammable and can explode. Fuel vapors can spread and be ignited by a spark or flame many feet away from engine. To prevent injury or death from fuel fires, follow these instructions:

- **DO NOT** use leaded fuel.
 - **Fuel must be fresh and clean. NEVER use fuel left over from last season or stored for long periods.**
 - **NEVER mix oil with fuel in this engine.**
 - **DO NOT use fuel containing Methanol (Wood Alcohol).**
1. Before refueling, allow the engine to cool for two minutes.
 2. Be sure engine is outdoors and in a well-ventilated area.
 3. Clean area around the fuel fill cap and remove the fuel fill cap.
 4. Using an approved red GASOLINE container, add fuel slowly, being careful to avoid spilling.
 5. Replace the fuel cap and tighten securely. Wipe up spilled fuel before starting engine. If fuel is spilled **DO NOT** start engine. Move machine away from area of spillage. Avoid creating any source of ignition until fuel vapors are gone.
 6. Be sure fuel valve, if present, is open.

Electrical Power

⚠ WARNING!

DO NOT pull starter rope with engine running. Doing so may **VOID YOUR WARRANTY**.

⚠ CAUTION

The extension cord can be any length, but *must* be rated for 15 amps at 125 volts, grounded and rated for outdoor use.

NOTES: When connecting power cord always connect power cord to switch box on engine first; then into outlet. See "Figure 3-4".

Determine what type of power source outlet you will be connecting the power cord to, before you start your engine. See Engines with Electric Starters instructions in the Operation Section of this manual.

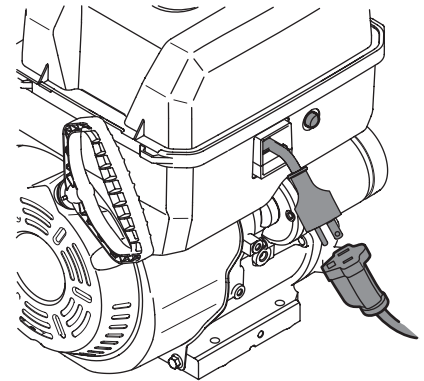


Figure 3-4

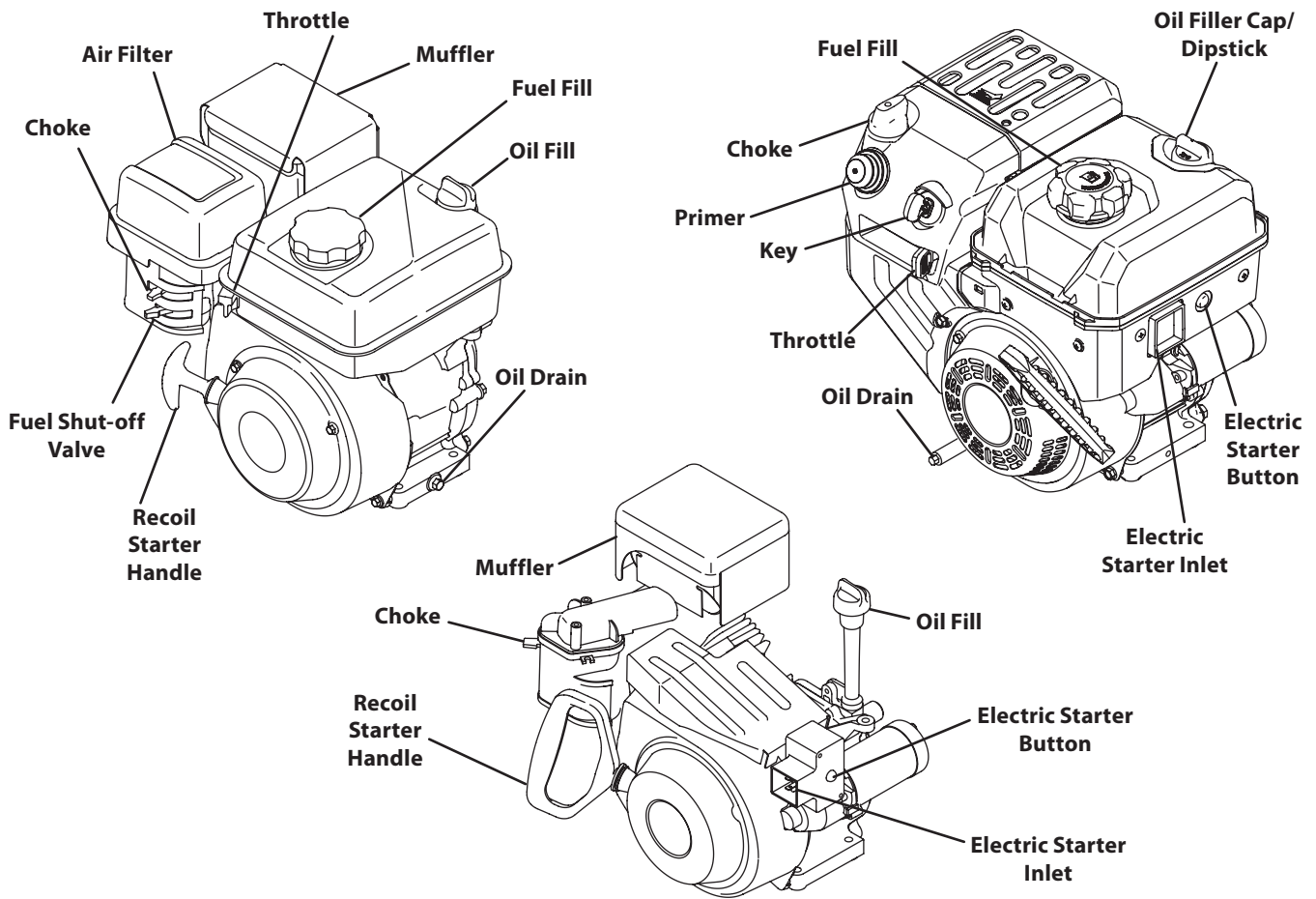


Figure 4-1

Throttle

The throttle control regulates the speed of the engine and will shut off the engine when it is moved into the stop position.

Choke

Activating the choke closes the choke plate on the carburetor and aids in starting the engine.

Oil Drain

Removing the oil drain plug will drain the oil from the engine.

Oil Filler Cap & Dipstick

Remove the oil cap to check the oil level and add oil.

Fuel Fill Cap

Remove the gas cap to add fuel.

Recoil Starter Handle

Pull the starter handle to start the engine.

Fuel Shut-Off Valve

If equipped, is used for controlling the flow of fuel between usage and transport/storage.

Electric Starter Inlet (If Equipped)

Requires the use of a three-prong outdoor extension cord and a 120V power source/wall outlet.

Electric Start Button (If Equipped)

Pressing the button on the top of the electric starter switch engages the engine's electric starter when plugged into a 120V power source.

Primer Bulb (If Equipped)

Pressing the primer bulb forces fuel directly into the engine's carburetor to aid in starting a "Cold" engine.

Key (If Equipped)

The key is a safety device. It must be fully inserted in order for the engine to start. Remove the key when the snow thrower is not in use.

Important: Do not turn the key in an attempt to start the engine. Doing so may cause it to break.

Pre-Operation Check

IMPORTANT: The engine is shipped without gasoline in the engine. See the Set-Up Section of this manual for instructions on adding gasoline.

IMPORTANT: Some engines are shipped with oil already in the engine, others without oil already in the engine. It is very important to check the oil before operating the engine and to add if necessary. See the Set-Up Section of this manual for instructions on checking and adding oil.

For your safety, and in order to maximize the service life of this equipment, it is very important to check its condition before you operate this engine. Make certain to service, correct or fix any problem that might be identified before attempting to operate this engine.

⚠ WARNING!

Improperly maintaining this engine, or failure to correct any problem before operation can cause a malfunction which could result in serious injury or even death.

Always perform a pre-operation inspection before each operation, and correct any problem.

Before you start the engine, always check the following items:

1. Fuel Recommendations (See Set Up Section)
2. Checking Oil Level (See Set Up Section)
3. Air filter (if equipped) (See Maintenance Section)
4. General Overall Inspection. Check for any fluid leaks or discharges, and loose or damaged parts.
5. Check the owner's manual provided with the equipment that is powered by this engine. Review the owner's manual for any precautions and procedures that should be followed before starting the engine.

Starting the Engine

⚠ WARNING!

Always keep hands and feet clear of moving parts. Do not use a pressurized starting fluid. Vapors are flammable.

⚠ WARNING!

An adult should start the engine. Only allow children to start the engine if an adult has determined they are experienced and capable of such operation.

⚠ WARNING!

If you are unable to start this engine after following instructions in this manual, contact your authorized MTD Service Dealer. To avoid serious burn injuries or damage to your engine, DO NOT attempt to start or troubleshoot this engine in any other way. for example:

- DO NOT use starting fluid.
- DO NOT spray flammable vapors into the carburetor.
- DO NOT put flammable liquids into carburetor.
- DO NOT operate engine or pull on starter rope with spark plug removed. Fuel can spray from spark plug hole and ignite.

NOTE: Allow the engine to warm up for a few minutes after starting. The engine will not develop full power until it reaches operating temperatures.

Familiarize yourself with the engine symbols shown in "Figure 5-1" before attempting to start this engine. If this engine is remotely controlled by the equipment it is powering, be sure to familiarize yourself with the equipment Operator's Manual as well.

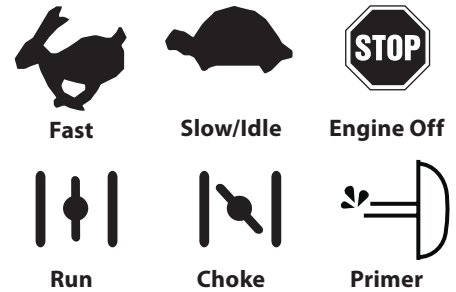


Figure 5-1

1. If equipped, insert the key.

Important: The key is a safety device. Do not turn the key in an attempt to start the engine. Doing so may cause it to break.



Figure 5-2

NOTE: The following starting instructions are for several different types of engines. In order to locate the instructions that apply to your engine, first determine what type of starter you have. If you have an electric starter, see Engines With Electric Starters. If you have a manual recoil starter, see Engines with Recoil Starters later in this section.

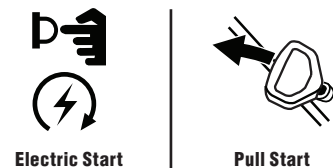


Figure 5-3

Engines With Electric Starters



If you have a manual recoil starter, see Engines with Recoil Starters later in this section.

⚠ WARNING!

DO NOT pull the starter handle while the engine is running.

⚠ WARNING!

The electric starter is equipped with a 120V A.C. Power Plug designed to operated with a grounded extension cord and on 120V A.C. household current. It must be properly grounded at all times to avoid the possibility of injury or death from electrical shock.

- a. Determine if your house wiring has a Ground Fault Interrupted (G.F.I.) Three-Wire Grounded System; if you are not sure, ask a Licensed Electrician.
- b. If your house wiring does not have a G.F.I. Three-Wire Grounded System, DO NOT USE THIS ELECTRIC STARTER UNDER ANY CONDITION.
- c. If your house wiring is grounded and a G.F.I. three-Prong Wall Receptacle is not available at the location where your starter will be used, one must be installed by a Licensed Electrician BEFORE USING THE ELECTRIC STARTER!

1. To avoid carbon monoxide poisoning, be sure engine is outdoors in a well-ventilated area.
2. Be sure fuel valve, if present (see equipment Operator's Manual instructions) is open and all switches are on.
3. Plug an extension cord into the outlet located on the engine's surface. Plug the other end of extension cord into a three-prong 120-volt, grounded, AC outlet in a well-ventilated area.

⚠ CAUTION

The extension cord can be any length, but *must* be rated for 15 amps at 125 volts, grounded and rated for outdoor use.

IMPORTANT: When connecting the power cord, always connect the power cord to the switch box on the engine first; then into the outlet.

4. Move engine speed control, if equipped, in the "Fast" position.
5. If equipped, set the choke control to "FULL CHOKE" position.

6. If equipped, Prime 3 - 5 times.
 - Make sure you cover the vent hole with your thumb.
 - Hold the primer bulb in for one full second each time you press it.

NOTE: DO NOT use the primer bulb to restart a warm engine after a short shutdown. Doing so will flood the engine and may result in equipment malfunction.

NOTE: If restarting a warm engine after a short shutdown, move the engine speed control (if equipped) the "FAST" position and move the choke control to the "NO CHOKE" position.

7. Push the starter button to start the engine.

IMPORTANT: DO NOT operate an electric starter for more than 5 seconds during each attempt.

8. Release the starter button.

NOTE: If the engine fails to start after 3 attempts, repeat steps 6 through 7.

9. After the engine starts:

- Move the choke control to 1/2 "CHOKE" position until the engine runs smoothly.
- Next, move the choke control to the NO CHOKE position.

NOTE: If the engine starts but falters when the choke control is moved to the "NO CHOKE" position. Perform the following:

- Momentarily move choke control back to "FULL CHOKE" position.
- Next, move the choke control to "1/2 CHOKE" position until engine runs smoothly.
- Finally, move the choke control to the NO CHOKE position.

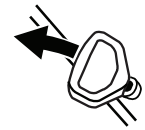
NOTE: If the engine stops with the choke control in the "NO CHOKE" position, repeat steps 6-9 to restart the engine.

NOTE: If the engine fails to start after 3 attempts in the "NO CHOKE" position, move the choke control to "FULL CHOKE" position and repeat steps 6-9 to restart the engine.

10. Disconnect the extension cord form the outlet.
11. Disconnect the extension cord form the switch box on the engine.

IMPORTANT: If engine does not start after following steps 1 through 11, contact your Authorized MTD Service Dealer. DO NOT attempt to troubleshoot this engine in any other way.

Engines with Recoil Starters



If you have an electric starter, see Engines with Electric Starters earlier in this section.

⚠ WARNING!

DO NOT pull starter rope with engine running. Doing so may VOID YOUR WARRANTY.

1. To avoid carbon monoxide poisoning, be sure engine is outdoors in a well-ventilated area.
2. Be sure fuel valve, if present (see equipment Operator's Manual instructions) is open and all switches are on.
3. Move the engine speed control, if equipped, to the "FAST" position.
4. If equipped, set the choke control to "FULL CHOKE" position.
5. If equipped, Prime 3 - 5 times.
 - Make sure you cover the vent hole with your thumb.
 - Hold the primer bulb in for one full second each time you press it.

NOTE: DO NOT use the primer bulb to restart a warm engine after a short shutdown. Doing so will flood the engine and may result in equipment malfunction.

NOTE: If restarting a warm engine after a short shutdown, move the engine speed control (if equipped) the "FAST" position and move the choke control to the "NO CHOKE" position.

⚠ WARNING!

When pulling the starter rope, the rope can unexpectedly jerk back toward the engine causing serious injury. To avoid this risk, carefully follow these instructions:

6. Grasp the starter cord handle.
 - Pull rope out slowly until you feel resistance.
 - Allow the rope to retract, then pull the rope with one rapid full arm stroke.
 - Return the rope slowly to the original position.

NOTE: Following the instructions listed in the steps above avoids potential damage to the recoil mechanism.

NOTE: If the recoil starter handle is frozen and will not operate the engine, proceed as follows:

- Pull as much rope out of the starter as possible.
 - Release the starter handle and let it snap back against the starter to break up ice; these two steps should only be done when the starter is frozen.
7. If the engine fails to start after 3 attempts repeat steps 5 through 6 and try again.
 8. When the engine starts:
 - Move the choke control to 1/2 "CHOKE" position until the engine runs smoothly.
 - Next, move the choke control to the NO CHOKE position.

NOTE: If the engine starts but falters when the choke control is moved to the "NO CHOKE" position:

- Momentarily move choke control back to "FULL CHOKE" position.
- Next, move the choke control to "1/2 CHOKE" position until engine runs smoothly.
- Finally, move the choke control to the NO CHOKE position.

NOTE: If the engine stops with the choke control in the "NO CHOKE" position, repeat steps 5-8 to restart the engine.

NOTE: If the engine fails to start after 3 attempts in the "NO CHOKE" position, move the choke control to "FULL CHOKE" position and repeat steps 5-8 to restart the engine.

IMPORTANT: If engine does not start after following steps 1 through 8, contact your Authorized MTD Service Dealer. DO NOT attempt to troubleshoot this engine in any other way.

Stopping the Engine & Short Term Storage

Stop engine in accordance with the equipment Operator's Manual.

▲ WARNING!

To avoid unsupervised engine operation, especially by children, NEVER leave the engine unattended while running. Always turn off the engine after use and remove the ignition key, if equipped.

▲ WARNING!

NEVER store the engine with fuel in the fuel tank inside a building with potential sources of ignition such as hot water tank and space heaters, clothes dryers, electric motors, etc.

Stopping The Engine

1. If operating the engine in the snow or rain, run the engine for a few minutes to help dry off any moisture.
2. Move the equipment control, if present (see Equipment Owner's Manual), engine control lever or ignition switch to "STOP" or "OFF" position.
3. Remove ignition key, if provided (see equipment Operator's Manual).

NOTE: Removing the key will reduce the possibility of unauthorized starting of the engine while equipment is not in use.

▲ WARNING!

NEVER store the engine with fuel in the fuel tank inside a building with potential sources of ignition such as hot water tank and space heaters, clothes dryers, electric motors, etc.

After the Engine is Stopped

▲ WARNING!

To prevent the possible freeze-up of engine controls, follow instructions with engine STOPPED, listed below:

1. Wipe all snow and moisture from the engine control lever and choke areas.
2. Move the equipment control, if present, (see equipment Operator's Manual), engine control lever or ignition switch back and forth several times and leave the control in the "STOP" or "OFF" position.
3. Move the engine choke back and forth several times and leave in the "FULL CHOKE" position.
4. Be sure the Fuel Shut-Off Valve, if present, is off.

Maintenance Schedule

	After First 5 Hours	Each use or Every 5 Hrs.	Every Season or 25 Hours	Every season or 50 Hours	Every season or 100 Hours	Service Dates
Check Engine Oil Level		✓				
Change Engine Oil	✓			✓		
Check Air Cleaner (If so equipped)		✓				
Service Air Cleaner (If so equipped)					✓	
Check Spark Plug			✓			
Replace Spark Plug					✓	
Clean Engine Shroud (If so equipped)		✓				
Clean around muffler		✓				
Replace Fuel Filter (If equipped)					✓	

Periodic inspection and adjustment of the engine is essential if high level performance is to be maintained. Regular maintenance will also ensure a long service life. The required service intervals and the kind of maintenance to be performed are described in the table above. Follow the hourly or calendar intervals, whichever occur first. More frequent service is required when operating in adverse conditions.

⚠ WARNING!

Shut off the engine before performing any maintenance. To prevent accidental start-up, disconnect the spark plug boot.

NOTE: If engine must be tipped to transport equipment or to inspect or remove grass, keep spark plug side of engine up. Transporting or tipping engine spark plug down may cause smoking, hard starting, spark plug fouling, or oil saturation of air cleaner.

⚠ WARNING!

If the engine has been running, the muffler will be very hot. Be careful not to touch the muffler.

Oil Recommendations

Refer to the viscosity chart ("Figure 6-1") for oil recommendations. Do not over-fill. Use a 4-stroke, or an equivalent high detergent, premium quality engine oil certified to meet or exceed U.S. automobile manufacturer's requirements for service classification of a minimum level SF or SG (higher letter ratings are acceptable such as SJ, SL and SM grades). Engine oil will display this designation on the container.

NOTE: Do not use non-detergent oil or 2-stroke engine oil. It could shorten the engine's service life.

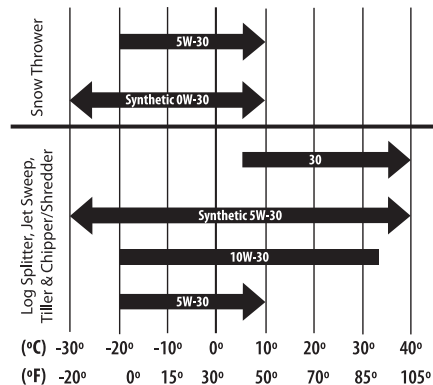


Figure 6-1

Checking and Changing the Oil

To avoid engine damage, it is important to:

- Check oil level before each use and every 5 operating hours when the engine is warm.
- Change the oil after the first 5 operating hours and every 50 operating hours thereafter. Engine should still be warm but NOT hot from recent use.

Oil Fill Cap and Dipstick

⚠ WARNING!

Before tipping engine or equipment to drain oil, drain fuel from tank by running engine until fuel tank is empty.

1. Carefully disconnect the spark plug wire and keep it away from the spark plug. Refer to "Figure 6-2" for spark plug location.

- Keep the disconnected spark plug wire securely away from the metal parts where arcing could occur.
- Carefully attach the spark plug wire to the grounding post, if provided.

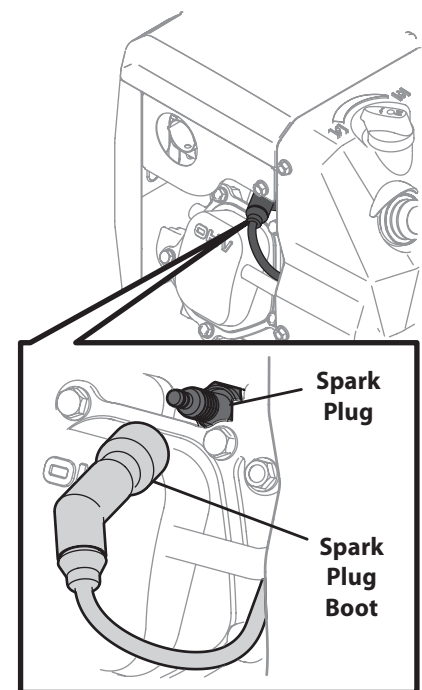


Figure 6-2

2. Be sure that the fuel fill cap is on and securely tightened.
3. Be sure to find correct oil drain plug location, if present (see the equipment Operator's Manual instructions for additional information).
4. Clean area around the oil drain plug.
5. Place an approved recyclable oil container under the oil drain plug.
6. Remove the Oil drain plug. See "Figure 6-3".

NOTE: Depending on which engine model you have, the oil plug may be positioned differently. These positions include on the front and/or rear side of the block, or as an extended tube. Examples are shown in "Figure 6-3".

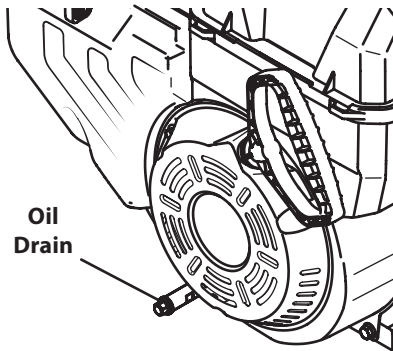


Figure 6-3

▲ WARNING!

Used engine oil may cause skin cancer if repeatedly left in contact with the skin for prolonged periods. Although this is unlikely unless you handle used oil on a daily basis, it is still advisable to thoroughly wash your hands with soap and water as soon as possible after handling used oil.

7. Tip engine to position the oil flow, so it will drain from the lowest point on the engine.
8. Drain the oil into an approved recyclable oil container.
NOTE: Please dispose of used engine oil in a manner that is compatible with the environment. We suggest you take it in a sealed container to your local service station for reclamation. Do not throw it in the trash or pour it on the ground.
9. Install the oil drain plug and tighten securely.
10. Clean area around the oil drain plug.
11. Remove the oil fill cap dipstick.
12. Fill with the recommended Oil. See "Figure 6-3".

NOTE: DO NOT overfill oil filler. Doing so may result in oil carry-over to the equipment and cause malfunction or damage.

NOTE: DO NOT allow oil level to fall below and "L" mark on dipstick. Doing so may result in equipment malfunction or damage.

13. Wipe away any spilled oil.
14. Check the oil level by installing the Oil Fill Cap/Dipstick.
 - For threaded Oil Fill Cap/Dipstick models, rest the cap on the threads, do not tighten down the cap to check the oil level.
 - For quarter-turn Oil Fill Cap/Dipstick models, tighten down the cap to check the oil level.
15. Remove the oil filler cap/dipstick. If the level is low, slowly add oil until oil level registers between high (H) and low (L), Figure 3-2 and Figure 3-3 in the Set-Up section.
16. Repeat Steps 14 & 15 to be sure that the correct oil level has been achieved.
17. Once the proper oil level has been confirmed, install the Oil Fill Cap/Dipstick. Tighten securely
18. Carefully disconnect spark plug wire from grounding post, if present.
19. Carefully reconnect the spark plug wire to the spark plug.

NOTE: It is advisable to recheck the oil level after you have operated the engine for a short while, and the normal engine operating temperature has been achieved.

▲ WARNING!

If the engine has been running, the muffler, engine head and spark plug will be very hot. Be careful not to touch any of these components until they have cooled.

Spark Plug Service

▲ WARNING!

DO NOT check for spark with spark plug removed. DO NOT crank engine with spark plug removed.

Check the spark plug yearly or every 100 operating hours. To ensure proper engine operation, the spark plug must be properly gapped and free of deposits.

1. Remove the spark plug boot.
2. Clean the area around the spark plug.

3. Use a spark plug wrench to remove the plug.

▲ WARNING!

If the engine has been running, the muffler, engine head and spark plug will be very hot. Be careful not to touch any of these components until they have cooled.

4. Visually inspect the spark plug. Discard the spark plug if there is apparent wear, or if the insulator is cracked or chipped. Replace the plug if the electrodes are pitted, burned or fouled with deposits.
5. Clean the spark plug with a wire brush if it is to be reused.
6. Measure the plug gap with a feeler gauge. Correct as necessary by bending side electrode. See "Figure 6-4". The gap should be set to 0.030 in. (0.76mm).
7. Check that the spark plug washer is in good condition
8. Thread the spark plug in by hand to prevent cross-threading.
9. After the spark plug is seated, tighten with a spark plug wrench to compress the washer.

NOTE: When installing a new spark plug, tighten 1/2 turn after the spark plug seats to compress the washer. When reinstalling a used spark plug, tighten 1/8-1/4 turn after the spark plug seats to compress the washer.

NOTE: The spark plug must be securely tightened. An improperly tightened spark plug can become very hot and may damage the engine.

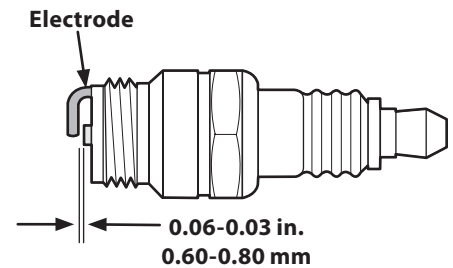


Figure 6-4

Air Filter

NOTE: Not all engines have air filters, such as engines used for snow throwers. Service the air filter if one is present.

Paper filters cannot be cleaned and must be replaced once a year or every 100 operating hours; more often if used in extremely dusty conditions.

▲ WARNING!

Never use gasoline or low flash point solvents for cleaning the air cleaner element. A fire or explosion could result.

NOTE: Never run the engines that have air filters without them. Rapid engine wear can result.

1. Press the tab on the air filter cover and lift the cover, or un-thread the thumbscrews, depending on the model of engine you have. See "Figure 6-5".

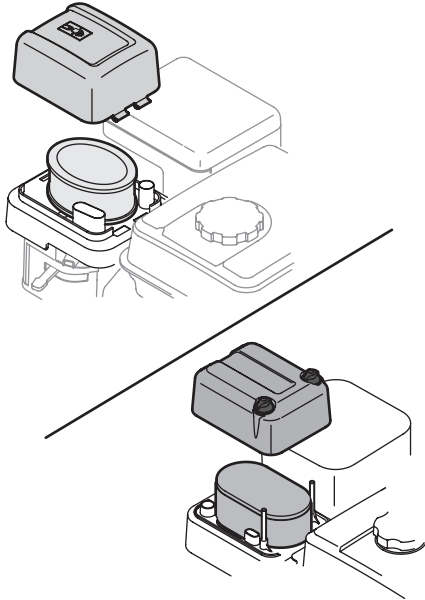


Figure 6-5

2. Replace paper element when dirty or damaged. Clean foam element or replace when damaged.
3. To clean foam element, separate it from the paper element and wash in liquid detergent and water. Allow to dry thoroughly before using. Do not oil the foam element.

Adjustments

DO NOT make any engine adjustments. Factory settings are satisfactory for most conditions. If adjustments are needed, contact your Authorized MTD Servicing Dealer.

Carburetor

If you think your carburetor needs adjusting, see your nearest Authorized MTD Servicing Dealer. Engine performance should NOT be affected at altitudes up to 7,000 feet (2,134 meters). For operation at higher elevations, contact your Authorized MTD Servicing Dealer.

Alternator (if equipped)

Contact your Authorized MTD Servicing Dealer for alternator related electrical problems such as:

- Inoperative Starter
- Discharged Battery
- Fuse Replacement
- Alternator Maintenance/Repairs

Engine Speed

▲ WARNING!

To avoid serious injury or death, DO NOT modify engine in any way. Tampering with the governor setting can lead to a runaway engine and cause it to operate at unsafe speeds. NEVER tamper with the factory setting of the engine governor.

▲ WARNING!

Running the engine faster than the speed set at the factory can be dangerous and will VOID THE ENGINE WARRANTY.

Removing Snow from the Engine

After each use, remove snow from the following areas:

- Oil Fill Cap Dipstick
- Fuel Fill Cap
- Recoil Starter/Flywheel Screen
- Linkage
- Guards
- Spark Plug Connection (if visible).
- Electric Starter Switch Box, if present (see the equipment Operator's Manual instructions).

NOTE: See the equipment Operator's Manual instructions for proper location of fuel fill cap and control lever.

1. Removing snow will ease operation of the recoil starter rope and reduce the risk of water contamination when opening the fuel fill cap.

NOTE: For more information about recoil starters, see Engine's with Recoil Starters in the Operation Section of this manual.

Transporting Your Engine

▲ WARNING!

NEVER transport this engine inside of another vehicle or in any enclosed space if there is any gasoline in the tank. Fuel vapor or spilled fuel may ignite.

▲ WARNING!

If there is fuel in the fuel tank, close the fuel valve, if equipped, and transport the engine upright in an open vehicle, such as an open trailer or open bed of a pickup truck.

If you DO NOT have an open vehicle and have to transport the engine upright in a closed vehicle, follow these steps for emptying the fuel tank before transporting:

1. Empty fuel tank by using a commercially available suction device designed for use with gasoline.

▲ WARNING!

DO NOT pour fuel from the engine or siphon fuel by mouth.

2. Drain fuel into an approved red gasoline container, being careful to avoid spilling.
3. Run the engine until remaining fuel is consumed.

▲ WARNING!

NEVER leave the engine unattended when it is running and NEVER run the engine in an enclosed area.

Storing Your Engine Short-Term/Seasonal Storage

Clean Engine

If the engine has been running, allow it to cool for at least half an hour before cleaning.

Before servicing the engine, remove the carburetor cover and/or blower housing. Discard the dirt and debris from the following areas:

- Cooling Fins
- Air Intake Screen or Recoil Starter/Flywheel Guard Areas
- Spark Plug Connection
- Levers
- Linkage Area
- Guards
- Carburetor
- Head

Removing debris will insure adequate cooling, correct engine speed and reduce the risk of fire.

NOTE: Do not spray engine with water to clean because water could contaminate fuel. Using a garden hose or pressure washing equipment can also force water into the air cleaner or muffler opening. Water in the air cleaner will soak the paper element, and water that passes through the element or muffler can enter the cylinder, causing damage.

▲ WARNING!

Accumulation of debris around muffler could cause a fire. Inspect and clean before every use.

Fuel Storage

▲ WARNING!

NEVER store engine with fuel in the fuel tank inside a building with potential sources of ignition such as hot water heater, space heater, clothes dryer, electric motor, etc. Failure to do so may result in an explosion and result in death or serious injury.

NOTE: If engine fuel stored in the gas tank and/or an approved gas container is to be unused without gasoline stabilizer for more than 15-30 days, prepare it for short-term/seasonal storage. See Fuel Treatment later in this section.

NOTE: If engine fuel is to be stored for more than one season, without gasoline stabilizer, it will gradually deteriorate. Also, if it is stored in the engine's gas tank without gasoline stabilizer it is likely that your carburetor will have gum deposits, a clogged fuel system and will VOID YOUR WARRANTY. Prepare the fuel for extended storage.

Fuel System

To avoid stale fuel and carburetor problems, treat the fuel system in the following manner:

NOTE: Always follow mix ratio found on the stabilizer container. Failure to do so may result in equipment damage.

NOTE: It is NOT necessary to drain stabilized gas from carburetor.

Fuel Treatment

1. Add a gasoline stabilizer according to the manufacturer's instructions.
2. Run engine at least 10 minutes after adding the stabilizer to allow it to reach the carburetor.

▲ WARNING!

NEVER store the engine with the fuel in the fuel tank inside a building with potential sources of ignition such as a hot water heater, space heater, clothes dryer, electric motor, etc.

NOTE: Instead of using a fuel preservative/stabilizer, you can empty the fuel tank as described in Extended Storage — Draining the Fuel.

Extended Storage

Draining the Fuel

NOTE: Clean debris from the engine before draining fuel from the carburetor.

NOTE: If you have prepared your fuel for short-term storage it is NOT necessary to drain fuel that contains stabilizer from your carburetor.

▲ WARNING!

To avoid severe injury or death, DO NOT pour fuel from engine or siphon fuel by mouth.

1. To prevent serious injury from fuel fires, empty fuel tank by running engine until it stops from lack of fuel. DO NOT attempt to pour fuel from engine.
2. Run the engine while waiting until the remaining fuel is consumed.

▲ WARNING!

NEVER leave the engine unattended when it is running and NEVER run the engine in an enclosed area.

3. Begin servicing the cylinder bore as per the following instructions.

Oil Cylinder Bore

▲ WARNING!

When lubricating cylinder bore, fuel may spray from the spark plug hole. To prevent serious injury from fuel fires, follow these instructions:

1. Turn off all the engine switches.
2. Remove the ignition key, if provided.
3. Carefully disconnect the spark plug wire and keep it away from the spark plug.
 - Keep the disconnected spark plug wire securely away from the metal parts where arcing could occur.
 - Carefully attach the spark plug wire to the grounding post, if provided.
4. Remove the spark plug.
5. Squirt ½ oz. (15ml) of clean engine oil into the spark plug hole.
6. Cover the spark plug hole with a rag to prevent fuel from spraying from the spark plug hole when the starter rope is pulled.

NOTE: for engines equipped with a recoil starter, proceed to Step 7. For engines equipped with electric starters, proceed to Step 8.

7. For Recoil starter engines:
 - Grasp the starter cord handle.
 - Pull the starter cord handle out slowly using a full arm stroke.
 - Repeat once. This will distribute the oil throughout the cylinder to prevent corrosion during storage.
 - Proceed to Step 9.
8. For electric starter engines:
 - Plug an extension cord into the three-prong connector located on the engine's surface. Plug the other end of extension cord into a three-prong 120-volt, grounded, AC outlet in a well-ventilated area.
 - Push and immediately release the starter button. This will distribute the oil throughout the cylinder to prevent corrosion during storage.

- Disconnect the extension cord from the outlet.
 - Disconnect the extension cord from the three-prong connector on the engine.
 - Proceed to Step 9.
9. Remove the rag from spark plug hole.
 10. Install the spark plug.
 11. Carefully disconnect the spark plug wire from the grounding post, if provided.
 12. Connect the spark plug wire to the spark plug.

Oil

Change the oil if NOT changed within the last 3 months. See Checking and Changing the Oil earlier in this section.

Off-Season Storage

▲ CAUTION

Failure to use a fuel stabilizing additive or completely run the engine until it's out of fuel before off-season storage may result in damage to your engine's carburetor. Subsequent damage would **not** be covered under the manufacturer's warranty.

Engines stored between 30 and 90 days need to be treated with a gasoline stabilizer and engines stored over 90 days need to be drained of fuel to prevent deterioration and gum from forming in fuel system or on essential carburetor parts. If the gasoline in your engine deteriorates during storage, you may need to have the carburetor, and other fuel system components, serviced or replaced.

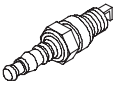
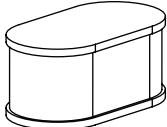



1. Remove all fuel from tank by running engine until it stops from lack of fuel.

▲ WARNING!

Never leave engine unattended while it is running.

2. Change the oil. See Changing the Oil earlier in this section.
3. Oil the cylinder bore. See Oil Cylinder Bore earlier in this section.
4. Clean debris from around the engine and the muffler. Touch up any damaged paint, and coat other areas that may rust with a light film of oil.
5. Store in a clean, dry and well ventilated area away from any appliance that operates with a flame or pilot light, such as a furnace, water heater, or clothes dryer. Also avoid any area with a spark producing electric motor, or where power tools are operated.
6. If possible, also avoid storage areas with high humidity, because that promotes rust and corrosion.
7. Keep the engine level in storage. Tilting can cause fuel or oil leakage.

Problem	Cause	Remedy
Engine Fails to start	<ol style="list-style-type: none"> 1. Engine flooded 2. Spark plug wire disconnected 3. Fuel tank empty 4. Stale fuel 5. Engine not choked 6. Faulty spark plug 7. Throttle in stop position 	<ol style="list-style-type: none"> 1. Wait at least 10 minutes before starting 2. Connect wire to spark plug 3. Fill tank with clean, fresh fuel 4. Drain fuel tank. Refill with fresh fuel 5. Choke engine 6. Clean, adjust gap or replace 7. Move throttle to FAST/Run position
Engine runs erratically	<ol style="list-style-type: none"> 1. Spark plug wire loose 2. Spark plug scorched, defective or electrode gap is set incorrectly 3. Stale fuel 4. Engine running with choke on 5. Water or dirt in fuel system 	<ol style="list-style-type: none"> 1. Connect and tighten spark plug wire 2. Re-adjust electrode gap or change 3. Drain fuel tank. Refill with fresh fuel 4. Move choke to off 5. Drain fuel tank. Refill with fresh fuel
Engine overheats	<ol style="list-style-type: none"> 1. Engine oil level low 	<ol style="list-style-type: none"> 1. Fill engine with proper amount of engine oil

Component	Part Number and Description
	951-10292 Spark Plug
	951-12260 Air Cleaner (Log Splitters) N/A Air Cleaner (Snow Throwers)
	951-12533 Fuel Cap Assembly (Snow Throwers)
	951-12535 Fuel Cap Assembly (Log Splitters)
	731-05632 Key (Snow Throwers)

Phone (800) 800-7310 or (330) 220-4683 to order replacement parts or a complete Parts Manual (have your full model number and serial number ready). Parts Manual downloads are also available free of charge at www.mtdproducts.com.

FEDERAL and/or CALIFORNIA EMISSION CONTROL WARRANTY STATEMENT YOUR WARRANTY RIGHTS AND OBLIGATIONS

MTD Consumer Group Inc, the United States Environmental Protection Agency (EPA), and for those products certified for sale in the state of California, the California Air Resources Board (CARB) are pleased to explain the emission control system (ECS) warranty on your 2017-2018 small off-road spark-ignited engine and equipment (outdoor equipment). In California, new outdoor equipment must be designed, built and equipped to meet the State's stringent anti-smog standards (in other states, outdoor equipment must be designed, built, and equipped to meet the U.S. EPA small off-road spark ignition engine regulations). MTD Consumer Group Inc must warrant the ECS on your outdoor equipment for the period of time listed below, provided there has been no abuse, neglect, or improper maintenance of the outdoor equipment.

Your ECS may include parts such as the carburetor, fuel-injection system, ignition system, catalytic converter, fuel tanks, fuel lines, fuel caps, valves, canisters, filters, vapor hoses, clamps, connectors, and other associated emission-related components.

Where a warrantable condition exists, MTD Consumer Group Inc will repair your outdoor equipment at no cost to you including diagnosis, parts, and labor.

MANUFACTURER'S WARRANTY COVERAGE:

This emission control system is warranted for two years. If any emission-related part on your outdoor equipment is defective, the part will be repaired or replaced by MTD Consumer Group Inc.

OWNER'S WARRANTY RESPONSIBILITIES:

As the outdoor equipment owner, you are responsible for performance of the required maintenance listed in your owner's manual. MTD Consumer Group Inc recommends that you retain all receipts covering maintenance on your outdoor equipment, but MTD Consumer Group Inc cannot deny warranty solely for the lack of receipts.

As the outdoor equipment owner, you should however be aware that MTD Consumer Group Inc may deny you warranty coverage if your outdoor equipment or a part has failed due to abuse, neglect, improper maintenance, or unapproved modifications.

You are responsible for presenting your outdoor equipment to MTD Consumer Group Inc's distribution center or service center as soon as the problem exists. The warranty repairs should be completed in a reasonable amount of time, not to exceed 30 days. If you have a question regarding your warranty coverage, you should contact the MTD Consumer Group Inc Service Department at 1-800-800-7310 or at <http://support.mtdproducts.com>.

GENERAL EMISSIONS WARRANTY COVERAGE:

MTD Consumer Group Inc warrants to the ultimate purchaser and each subsequent purchaser that the outdoor equipment is: (1) designed, built, and equipped so as to conform with all applicable regulations; and (2) free from defects in materials and workmanship that cause the failure of a warranted part for a period of two years.

The warranty period begins on the date the outdoor equipment is delivered to an ultimate purchaser or first placed into service.

Subject to certain conditions and exclusions as stated below, the warranty on emission-related parts is as follows:

1. Any warranted part that is not scheduled for replacement as required maintenance in the written instructions supplied is warranted for the warranty period stated above. If the part fails during the period of warranty coverage, the part will be repaired or replaced by MTD Consumer Group Inc according to subsection (4) below. Any such part repaired or replaced under warranty will be warranted for the remainder of the period.
 2. Any warranted part that is scheduled only for regular inspection in the written instructions supplied is warranted for the warranty period stated above. Any such part repaired or replaced under warranty will be warranted for the remaining warranty period.
 3. Any warranted part that is scheduled for replacement as required maintenance in the written instructions supplied is warranted for the period of time before the first scheduled replacement date for that part. If the part fails before the first scheduled replacement, the part will be repaired or replaced by MTD Consumer Group Inc according to subsection (4) below. Any such part repaired or replaced under warranty will be warranted for the remainder of the period prior to the first scheduled replacement point for the part.
 4. Repair or replacement of any warranted part under the warranty provisions herein must be performed at a warranty station at no charge to the owner.
 5. Notwithstanding the provisions herein, warranty services or repairs will be provided at all of our distribution centers that are franchised to service the subject engines or equipment.
 6. The outdoor equipment owner will not be charged for diagnostic labor that is directly associated with diagnosis of a defective, emission-related warranted part, provided that such diagnostic work is performed at a warranty station.
 7. MTD Consumer Group Inc is liable for damages to other engine or equipment components proximately caused by a failure under warranty of any warranted part.
-

-
8. Throughout the off-road engine and equipment warranty period stated above, MTD Consumer Group Inc will maintain a supply of warranted parts sufficient to meet the expected demand for such parts.
 9. Any replacement part may be used in the performance of any warranty maintenance or repairs and must be provided without charge to the owner. Such use will not reduce the warranty obligations of MTD Consumer Group Inc.
 10. Add-on or modified parts that are not exempted by the Air Resources Board may not be used. The use of any non-exempted add-on or modified parts by the ultimate purchaser will be grounds for disallowing a warranty claim. MTD Consumer Group Inc will not be liable to warrant failures of warranted parts caused by the use of a non-exempted add-on or modified part.

WARRANTED PARTS:

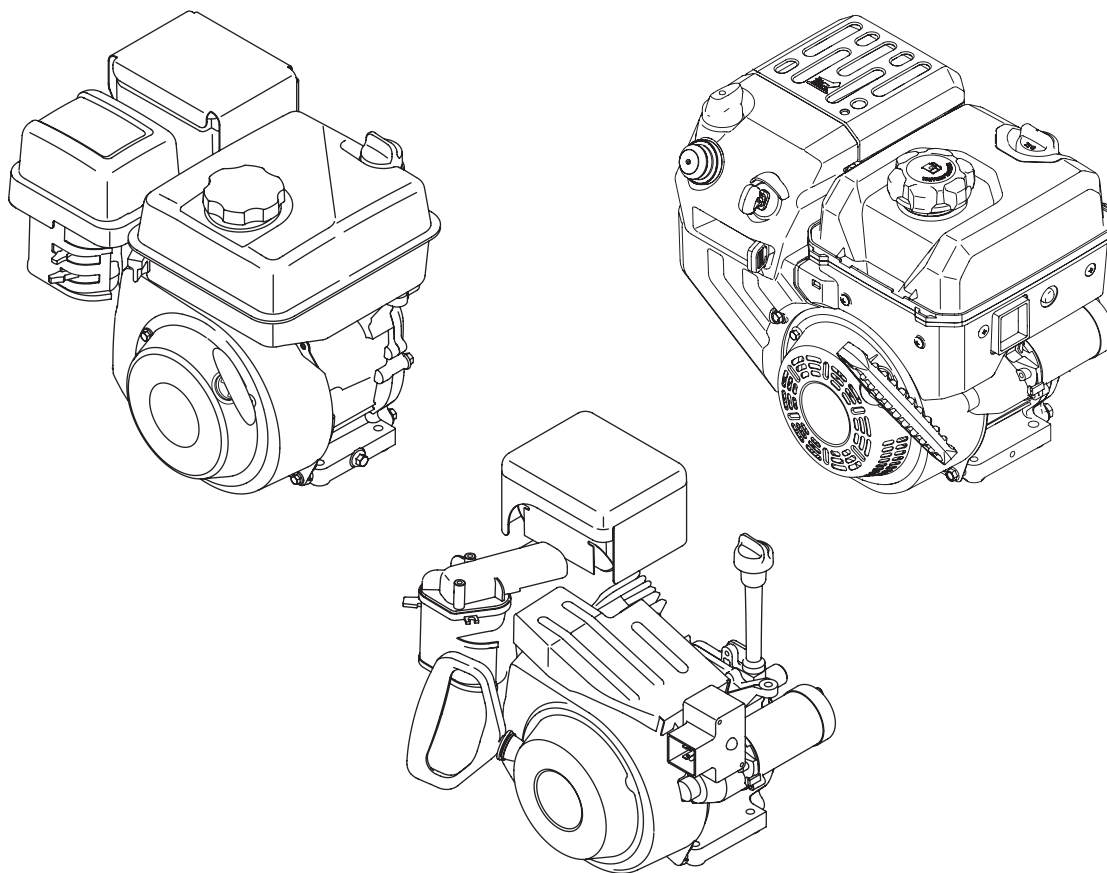
The repair or replacement of any warranted part otherwise eligible for warranty coverage may be excluded from such warranty coverage if MTD Consumer Group Inc demonstrates that the outdoor equipment has been abused, neglected, or improperly maintained, and that such abuse, neglect, or improper maintenance was the direct cause of the need for repair or replacement of the part. That notwithstanding, any adjustment of a component that has a factory installed, and properly operating, adjustment limiting device is still eligible for warranty coverage. Further, the coverage under this warranty extends only to parts that were present on the off-road equipment purchased.

The following emission warranty parts are covered (if applicable):

1. Fuel Metering System
 - Cold start enrichment system (soft choke)
 - Carburetor and internal parts (or fuel injection system)
 - Fuel pump
 - Fuel tank
2. Air Induction System
 - Air cleaner
 - Intake manifold
3. Ignition System
 - Spark plug(s)
 - Magneto ignition system
4. Exhaust System
 - Catalytic converter
 - SAI (Reed valve)
5. Miscellaneous Items Used in Above System
 - Vacuum, temperature, position, time sensitive valves and switches
 - Connectors and assemblies
6. Evaporative Control
 - Fuel hose
 - Fuel hose clamps
 - Tethered fuel cap
 - Carbon canister
 - Vapor lines

Medidas importantes de seguridad • Configuración • Funcionamiento • Mantenimiento
• Solución de problemas • Garantía

MANUAL DEL OPERADOR



Motor de 179cc, 208cc & 243cc Eje Horizontal

⚠ ADVERTENCIA

**LEA Y RESPETE TODAS LAS NORMAS DE SEGURIDAD E INSTRUCCIONES INCLUIDAS EN ESTE MANUAL ANTES DE PONER EN FUNCIONAMIENTO ESTA MÁQUINA.
SI NO RESPETA ESTAS INSTRUCCIONES PUEDE PROVOCAR LESIONES PERSONALES.**

MTD LLC. APARTADO POSTAL 361131 CLEVELAND, OHIO 44136-0019

Gracias

Este Manual del Operador es una parte importante de su nuevo motor. Le ayudará a preparar y mantener la unidad para obtener los mejores resultados. Antes de operar el motor lea cuidadosamente y comprenda todo el manual.

Índice

<i>Medidas importantes de seguridad</i>	23	<i>Mantenimiento</i>	31
<i>Símbolos De Seguridad</i>	24	<i>Solución de problemas</i>	36
<i>Montaje y configuración</i>	25	<i>Piezas De Repuesto</i>	37
<i>Controles y Características</i>	27	<i>Declaración de Emisiones/Garantía</i>	38
<i>Funcionamiento</i>	28		

Registro de información de producto

Antes de operar su motor nuevo, por favor localice su placa de modelo y registre la información en el área situada a la derecha. Si

tiene que solicitar soporte técnico a través de nuestro sitio web o de un distribuidor de servicio local, necesitará esta información.

NÚMERO DE MODELO / NÚMERO DE SERIE

--	--	--	--	--	--	--	--	--	--	--	--	--	--	--	--	--	--	--	--

Asistencia al Cliente

Por favor, NO devuelva la máquina al minorista o distribuidor sin ponerse en contacto primero con el Departamento de Asistencia al Cliente.

En caso de tener problemas con este producto o de tener dudas con respecto a los controles, funcionamiento o mantenimiento de este motor, puede solicitar la ayuda de expertos. Elija entre las opciones que se presentan a continuación:

- ◇ Visite nuestro sitio web en www.mtdproducts.com
- ◇ Llame a un representante de Asistencia al Cliente al (800) 800-7310 ó (330) 220-4683
- ◇ Escribanos a MTD LLC • P.O. Box 361131 • Cleveland, OH • 44136-0019

⚠ ¡ADVERTENCIA!

La presencia de este símbolo indica que se trata de instrucciones de seguridad importantes que debe respetar para evitar poner en riesgo su seguridad personal y/o material y la de los demás. Lea y siga todas las instrucciones de este manual antes de poner en funcionamiento este equipo. Si no respeta estas instrucciones puede provocar lesiones personales. Cuando vea este símbolo. **TENGA EN CUENTA LA ADVERTENCIA.**

⚠ ¡ADVERTENCIA!

PROPOSICIÓN 65 DE CALIFORNIA

El escape del motor de este producto, algunos de sus componentes y algunos componentes del vehículo contienen o liberan sustancias químicas que el estado de California considera que pueden producir cáncer, defectos de nacimiento u otros problemas reproductivos.

⚠ ¡PELIGRO!

Esta motor está diseñada para ser utilizada respetando las normas de seguridad contenidas en este manual. Al igual que con cualquier tipo de equipo motorizado, un descuido o error por parte del operador puede producir lesiones graves. De no respetar las instrucciones de seguridad siguientes se pueden producir lesiones graves o la muerte.

CAPACITACIÓN

1. Lea, entienda y cumpla todas las instrucciones incluidas en el motor y en los manuales antes de montarlo y utilizarlo. Guarde este manual en un lugar seguro para consultas futuras y periódicas, así como para solicitar repuestos.
2. Familiarícese con todos los controles y con el uso adecuado de los mismos. Sepa cómo detener el motor y desactivar los controles rápidamente.
3. No permita nunca que los niños menores de 14 años utilicen este motor. Los niños de 14 años en adelante deben leer y entender las instrucciones de operación y normas de seguridad contenidas en este manual y en el motor y deben ser entrenados y supervisados por un adulto.
4. Nunca permita que los adultos operen la máquina sin recibir antes la instrucción apropiada.
5. Mantenga el área de operación despejada de personas, particularmente de niños pequeños y mascotas. Detenga la máquina si alguien se acerca.

Preparativos

1. Utilice zapatos de trabajo resistentes, de suela fuerte, así como pantalones y camisas ajustados. Las prendas sueltas y las alhajas se pueden enganchar en las piezas móviles. Nunca opere la máquina descalzo o con sandalias.
2. Antes de arrancar el motor, desenganche las palancas del embrague y desplácelas (en caso de haber) a la posición neutral ("N").
3. Nunca deje el motor en marcha sin vigilancia.
4. Nunca intente realizar ajustes mientras el motor está en marcha, excepto en los casos específicamente recomendados en el manual del operador.

Manejo seguro de la gasolina:

Para evitar lesiones personales o daños materiales sea sumamente cuidadoso al manipular la gasolina. La gasolina es sumamente inflamable y sus vapores pueden causar explosiones. Si se derrama gasolina encima o sobre la ropa se puede lesionar gravemente ya que se puede incendiar. Lávese la piel y cámbiese de ropa de inmediato.

1. Cuando agregue combustible, APAGUE el motor y déjelo enfriar por lo menos 2 minutos antes de sacar la tapa del combustible.
2. Llene el tanque de combustible al aire libre o en un área bien ventilada.
3. Utilice sólo los recipientes para gasolina autorizados.
4. Nunca llene los recipientes en el interior de un vehículo o camión o caja de remolque con recubrimiento plástico. Coloque siempre los recipientes en el piso y lejos del vehículo antes de llenarlos.
5. Si es posible, retire el equipo a gasolina del camión o remolque y llénelo en el suelo. Si esto no es posible, llene el equipo en un remolque con un contenedor portátil, en vez de con una boquilla dispensadora de gasolina.
6. Mantenga la boquilla de llenado en contacto con el borde del depósito de combustible o con la abertura del recipiente en todo momento, hasta terminar la carga. No utilice un dispositivo para abrir/cerrar la boquilla.

7. No llene demasiado el tanque de combustible. Llene el tanque completo indicado por el indicador de nivel de combustible instalado en el interior del depósito de combustible o marcado en el depósito. No más de relleno para dejar espacio para la expansión del combustible. En algunos modelos, un indicador de nivel de combustible no puede estar presente, en este caso, llenar el tanque sin pulgada más de 1 / 2 por debajo de la parte inferior de la boca de llenado para dejar espacio para la expansión del combustible.
8. Reemplace la tapa de combustible y apriete hasta que la tapa de trinquetes.
9. Limpie el combustible que se haya derramado sobre el motor y el equipo. Traslade la máquina a otra zona. Espere cinco minutos antes de encender el motor.
10. Para reducir el riesgo de incendio mantenga la máquina limpia de pasto, hojas y de la acumulación de otros desechos. Limpie los derrames de aceite o combustible y saque todos los residuos embebidos de combustible.
11. Mantenga la gasolina alejada de chispas, llamas expuestas, llamas piloto, calor, y otras fuentes de ignición.
12. Nunca cargue combustible en el equipo en interiores porque se acumulan vapores inflamables en el área.
13. Apague todos los cigarrillos, cigarros, pipas y otras fuentes de ignición.
14. Verifique frecuentemente la línea de combustible, el depósito, el tapón, y los accesorios buscando rajaduras o pérdidas. Reemplácelos de ser necesario.

Funcionamiento

1. Al arrancar el motor, asegúrese de que la bujía, el silenciador y la tapa del combustible están en su lugar.
2. No dé arranque al motor si no está la bujía de encendido.
3. Si se derrama combustible, espere hasta que se evapore antes de encender el motor.
4. Permita que el silenciador, el cilindro del motor, y las aletas se enfríen antes de tocarlos.
5. Mantenga a los niños alejados de los motores en marcha o calientes. Pueden sufrir quemaduras por el contacto con un silenciador caliente.
6. Extraiga el combustible acumulado en el silenciador y el cilindro.
7. Haga funcionar el equipo con todos los protectores colocados.
8. Mantenga las manos y los pies alejados de las piezas giratorias.

9. Átese el cabello si lo lleva largo y no use alhajas.
 10. No use ropa demasiado holgada, con cordones colgantes o partes que se puedan enganchar.
 11. Para encender el motor, jale de la cuerda lentamente hasta que sienta resistencia, luego jale rápidamente (Si no es de arranque eléctrico).
 12. Antes de arrancar el motor, retire todos los equipos externos/cargas del motor.
 13. Los componentes del equipo acoplados directamente, tales como por ejemplo, cuchillas, rotores, poleas, ruedas dentadas, etc, deben estar firmemente conectados.
4. Antes de limpiar, reparar o revisar el motor, deténgalo y asegúrese que todas las partes móviles se hayan detenido. Desconecte el cable de la bujía y póngalo haciendo masa contra el motor para evitar que se encienda accidentalmente.
 5. No cambie la configuración del regulador del motor ni lo opere a sobrevelocidad. El regulador del motor controla la velocidad máxima segura de funcionamiento del motor.
 6. Mantenga y reemplace las etiquetas de seguridad e instrucciones según sea necesario.
 7. Consulte siempre el manual del operador para conocer la información importante relativa al almacenamiento de la máquina durante un plazo prolongado.
 8. Si debe vaciar el tanque de combustible, hágalo al aire libre.
 9. Respete las normas referentes a la disposición correcta y las reglamentaciones sobre gasolina, aceite, etc. para proteger el medio ambiente.

Mantenimiento y Almacenamiento

1. Mantenga el motor en condiciones seguras de funcionamiento.
2. Deje que motor se enfríe por lo menos cinco minutos antes de guardarla. Nunca altere los dispositivos de seguridad. Controle periódicamente que funcionen correctamente.
3. Controle frecuentemente que todos los pernos y tornillos estén bien ajustados para mantener el motor en condiciones seguras de funcionamiento. Inspeccione visualmente el motor para determinar si está dañado.

No modifique el motor

Para evitar lesiones graves o la muerte, no modifique el motor de ninguna manera. Si altera la configuración del regulador, el motor se puede desbocar y funcionar a velocidades que no son seguras. Nunca cambie la configuración de fábrica del regulador del motor.

Aviso referido a emisiones

Los motores que están certificados y cumplen con las regulaciones de emisiones federales EPA y de California para SORE (Equipos pequeños todo terreno) están certificados para operar con gasolina común sin plomo y pueden incluir los siguientes sistemas de control de emisiones: Modificación de motor (EM) y catalizador de tres vías (TWC) si están equipados de esa manera.

Amortiguador de chispas

▲ ¡ADVERTENCIA!






Esta máquina está equipada con un motor de combustión interna y no debe utilizarse en o cerca de un terreno agreste cubierto de bosque, malezas o pasto a menos que el sistema de escape del motor esté equipado con un amortiguador de chispas que cumpla con las leyes locales o estatales vigentes (si las hay).

Si se utiliza un amortiguador de chispas el operador lo debe mantener en condiciones de uso adecuadas. En el Estado de California, las medidas anteriormente mencionadas son exigidas por ley (Artículo 4442 del Código de Recursos Públicos de California). Es posible que existan leyes similares en otros estados. Las leyes federales se aplican en territorios federales.

Puede conseguir el amortiguador de chispas para el silenciador a través de su distribuidor autorizado de motores más cercano o poniéndose en contacto con el departamento de servicios, P.O. Box 361131 Cleveland, Ohio 44136-0019.

Símbolos De Seguridad

Esta página representa y describe la seguridad los símbolos que pueden parecer en este producto. Lea, comprenda, y siga todas instrucciones en la máquina antes procurar para reunir y operar.

Símbolo	Descripción
	LEA EL MANUAL(S) DEL OPERADOR Lea, comprenda, y siga todas instrucciones en el manual (manuales) antes procurar para reunir y operar.
	ADVERTENCIA— GASOLINA ES INFLAMABLE Allow the engine to cool at least two minutes before refueling.
	ADVERTENCIA— MONOXIDO DE CARBONO Nunca corra un motor dentro ni en un área mal ventilada. El escape del motor contiene monóxido de carbono, un gas inodoro y mortal.
	ADVERTENCIA — ELECTROCHOQUE No use el juez de salida eléctrico del motor en la lluvia.
	ADVERTENCIA — SUPERFICIE CALIENTE Las partes del motor, especialmente el silenciador, llega a ser muy caliente durante la operación. Permita motor y silenciador para ponerse frío antes de tocar.

▲ ¡ADVERTENCIA! - GUARDE ESTAS INSTRUCCIONES

Su responsabilidad: Restrinja el uso de esta máquina motorizada a las personas que lean, comprendan y respeten las advertencias e instrucciones que figuran en este manual y en la máquina.

Especificaciones para el aceite y el combustible

IMPORTANTE: El motor se envía sin gasolina en el motor. Consulte la Sección Configuración incluida en este manual para ver las instrucciones para la carga de gasolina.

IMPORTANTE: Algunos motores se envían ya con aceite en el motor, otros sin que el motor tenga ya el aceite. Es muy importante controlar el nivel del aceite antes de operar el motor y agregar más si es necesario. Si se hace funcionar el motor sin suficiente aceite puede dañarse gravemente y se anula la garantía.

Recomendaciones sobre el aceite

Antes de poner en marcha el motor, cárguelo con aceite para motor, la capacidad es de 600 ml/20 onzas. Consulte el cuadro de viscosidad de la "Figura 3-1" para las recomendaciones relacionadas con el aceite. No llene excesivamente. Use un 4 tiempos, o un detergente marca equivalente, el aceite de la prima de motor de calidad certificada para cumplir o exceder los requisitos del fabricante EE.UU. automóvil para la clasificación de servicios de un nivel mínimo de SJ (grados más altos de la carta son aceptables como SL y grados SM).

El aceite de motor se mostrará esta denominación en el envase.

NOTA: No utilice aceites sin detergente ni aceite para motor de tres tiempos. Podría reducirse la vida útil del motor.

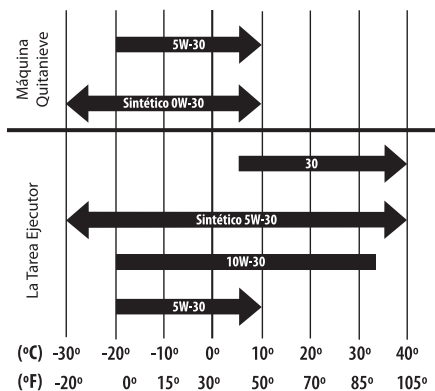


Figura 3-1

Verificación del nivel de aceite

Algunos motores tienen un tapón de llenado de aceite /la varilla de nivel de aceite de un cuarto de giro, otros pueden tener uno a rosca. Siga las instrucciones que están a continuación que corresponden a su modelo de motor.

Control del nivel de aceite en los motores que tiene tapones de llenado de aceite de un cuarto de giro

NOTA: Asegúrese de comprobar el aceite sobre una superficie nivelada y con el motor apagado.

Para evitar que el motor resulte dañado, es importante que:

- Controle el nivel de aceite antes de cada uso y cada 5 horas de funcionamiento cuando el motor está tibio. Controle el nivel de aceite con mayor frecuencia durante el período de funcionamiento inicial del motor.
- Mantenga el nivel de aceite entre las marcas "F (lleno)" y "L (agregar)" de la varilla de medición del nivel. Vea la "Figura 3-2".
- Cuando realice el control, compruebe que el tapón de llenado de aceite esté bien ajustado.
 - Retire el tapón de llenado/varilla de medición de aceite y limpie bien la varilla. Vea la "Figura 3-2".
 - Inserte el tapón/la varilla de medición en el cuello de llenado del aceite y ajuste el tapón hasta que se asiente.
 - Saque el tapón / la varilla de medición de aceite. Si el nivel es bajo, agregue lentamente aceite hasta que el nivel registrado esté en un punto intermedio entre alto (H) y bajo (L), "Figura 3-2".
 - Vuelva a colocar el tapón / la varilla de medición de aceite bien ajustados antes de poner en marcha el motor.

NOTA: No lo llene en exceso. Si se carga demasiado aceite se puede generar humo, problemas de arranque o suciedad en la bujía.

NOTA: NO permita que el nivel de aceite se reduzca por debajo de la marca "L (agregar)" de la varilla de medición. Si lo hace el equipo puede funcionar mal o dañarse.

NOTA: Para cambiar el aceite del motor, consulte la sección de Mantenimiento de este manual.

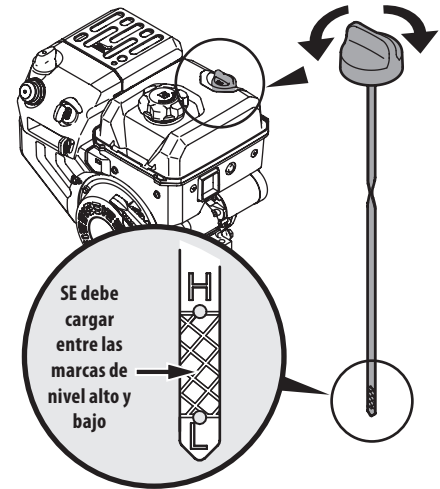


Figura 3-2

Control del nivel de aceite en los motores que tiene tapones de llenado de aceite a rosca

NOTA: Asegúrese de comprobar el aceite sobre una superficie nivelada y con el motor apagado.

Para evitar que el motor resulte dañado, es importante que:

- Controle el nivel de aceite antes de cada uso y cada 5 horas de funcionamiento cuando el motor está tibio. Controle el nivel de aceite con mayor frecuencia durante el período de funcionamiento inicial del motor.
- Mantenga el nivel de aceite entre las marcas "H (lleno)" y "L (agregar)" de la varilla de medición del nivel. Vea la "Figura 3-3".
- Cuando realice el control, compruebe que el tapón de llenado de aceite se asiente sobre las rocas. No ajuste el tapón de llenado del aceite cuando controle el aceite de los motores que tienen tapones de llenado de aceite a rosca.
 - Retire el tapón de llenado/varilla de medición de aceite y limpie bien la varilla. Vea la "Figura 3-3".
 - Inserte el tapón/la varilla de medición en el cuello de llenado del aceite y debe asentarse en las rocas. No lo apriete cuando controle.
 - Saque el tapón / la varilla de medición de aceite. Si el nivel es bajo, agregue lentamente aceite hasta que el nivel registrado esté en un punto intermedio entre alto (H) y bajo (L), "Figura 3-3".
 - Vuelva a colocar el tapón / la varilla de medición de aceite bien ajustados antes de poner en marcha el motor.

NOTA: No llene en exceso. Si se carga demasiado aceite se puede generar humo, problemas de arranque o suciedad en la bujía.

NOTA: NO permita que el nivel de aceite se reduzca por debajo de la marca "L (agregar)" de la varilla de medición. Si lo hace el equipo puede funcionar mal o dañarse.

NOTA: Para cambiar el aceite del motor, consulte la sección de Mantenimiento de este manual.

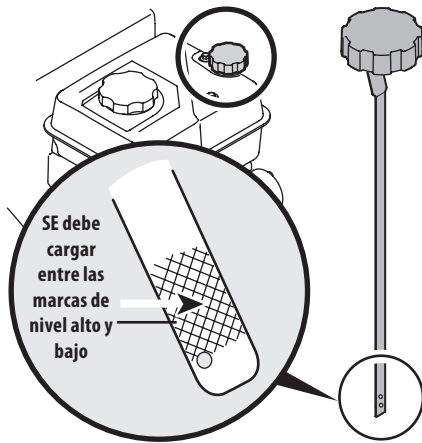


Figura 3-3

Carga del cárter de aceite

1. Asegúrese de que el motor está vertical y nivelado.
2. Extraiga el tapón de llenado/la varilla de medición del nivel de aceite del cuello de carga rotándolo en sentido contrario a las agujas del reloj y levantando la varilla fuera del motor. Limpie la varilla con un trapo del taller.
3. Inserte el tapón de llenado/la varilla de medición del nivel de aceite nuevamente en el cuello de llenado. Los tapones de llenado de aceite de un cuarto de giro, se ajustan rotando el tapón en el sentido de las agujas del reloj hasta que se asiente firmemente.

NOTA: Algunas unidades pueden tener una **varilla de medición del nivel a rosca**. En ese caso, introduzca el tapón / la varilla de medición de aceite dentro del cuello de llenado de aceite pero **pero no lo enrosque para controlarlo**.

4. Afloje y retire el tapón de llenado de aceite/la varilla de nivel de aceite del cuello de llenado de aceite. Anote el nivel de aceite, si la lectura de aceite en la varilla del nivel de aceite está por debajo de la marca "L" (agregar), agregue aceite lentamente hasta alcanzar el nivel "H" (lleno). Consulte la Fig. 3-2 ó 3-3, según corresponda.
5. Inserte el tapón de llenado/la varilla de medición del nivel de aceite nuevamente en el cuello de llenado. Ajústelo rotando el tapón en el sentido de las agujas del reloj hasta que se asiente firmemente.
6. Limpie todo el aceite que se haya derramado.

NOTA: Para cambiar el aceite, consulte las instrucciones de Control y cambio de aceite en la sección Mantenimiento de este manual.

Recomendaciones sobre el combustible

⚠ PRECAUCIÓN

Si se opera el motor con combustible E15 o E85, una mezcla de aceite/gasolina, gasolina sucia o **gasolina con más de 30 días de antigüedad** que no se haya estabilizado con un aditivo de combustible, se puede dañar el carburador del motor. A los daños subsiguientes **no los cubre la garantía de los fabricantes**.

Utilice gasolina para automóviles (sin plomo o bajo contenido de plomo para minimizar los depósitos en la cámara de combustión) con un mínimo de 87 octanos. Se puede usar gasolina con hasta un 10% de etanol o un 15% de MTBE (éter metílico terciario-butílico). Nunca use una mezcla de aceite y gasolina ni gasolina sucia. Evite que se introduzca suciedad, polvo o agua en el tanque de combustible. **NO utilice gasolina E15 o E85.**

⚠ ¡ADVERTENCIA!

La gasolina es sumamente inflamable y bajo determinadas condiciones es explosiva.

- Cargue combustible en un área bien ventilada y con el motor apagado. No fume ni permita llamas o chispas en el lugar donde se carga combustible o se almacena la gasolina.
- No llene en exceso el depósito de combustible. Después de cargar combustible, asegúrese de que el tapón del depósito esté bien cerrado y asegurado.
- Tenga cuidado de no derramar combustible al realizar la recarga. El combustible derramado o sus vapores se pueden incendiar. Si se derrama combustible, asegúrese de que el área esté seca antes de arrancar el motor.
- Evite el contacto repetido o prolongado con la piel y la inhalación de los vapores.

Carga de combustible

⚠ ¡ADVERTENCIA!

El combustible debe cargarlo un adulto. **NUNCA permita que un niño recargue combustible en el motor. Los vapores de la gasolina (el combustible) son sumamente inflamables y pueden explotar. Los vapores del combustible se pueden esparcir y encenderse por una chispa o llama que esté a mucha distancia del motor. Para evitar lesiones o muertes por incendios de combustible, siga estas instrucciones:**

- **NO use combustible con plomo.**
- **El combustible debe ser nuevo y estar limpio. NUNCA use el combustible que queda desde la última temporada o que quedó almacenado durante períodos prolongados.**
- **NUNCA mezcle aceite con combustible.**
- **NO use combustible que contenga metanol (alcohol de madera).**

1. Antes de recargar combustible, deje que el motor se enfríe dos minutos.
2. Compruebe que el motor esté al aire libre en una zona bien ventilada.
3. Limpie el área que está alrededor del tapón de llenado de combustible y quite dicho tapón.
4. Use un recipiente rojo para GASOLINA aprobado y agregue el combustible lentamente, tomando la precaución de evitar derrames.
5. Vuelva a colocar la tapa del combustible y ajústela bien. Antes de poner en marcha el motor, debe limpiar el combustible que se haya derramado. Si se derrama combustible **NO ponga en marcha el motor. Mueva la máquina para alejarla de la zona del derrame. Evite generar una fuente de encendido hasta que los vapores del combustible hayan desaparecido.**
6. Compruebe que la válvula de paso del combustible, si está incluida, esté abierta.

Electrical Power

⚠ ¡ADVERTENCIA!

DO NOT pull starter rope with engine running. Doing so may VOID YOUR WARRANTY.

⚠ PRECAUCIÓN

El cable de extensión puede ser de cualquier longitud, pero debe ser clasificado para 15 amperios a 125 voltios, tierra y clasificado para su uso en exteriores.

NOTAS: Siempre debe conectar el cable de alimentación primero a la caja del interruptor del motor; luego en el tomacorriente. Vea la "Figura 3-4".

Determine a qué tipo de tomacorriente de energía conectará el cable de alimentación, antes de poner en marcha el motor. Consulte las instrucciones de Motores con arrancadores eléctricos de la sección Operación de este manual.

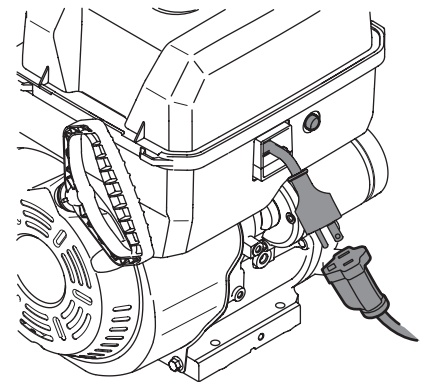


Figura 3-4

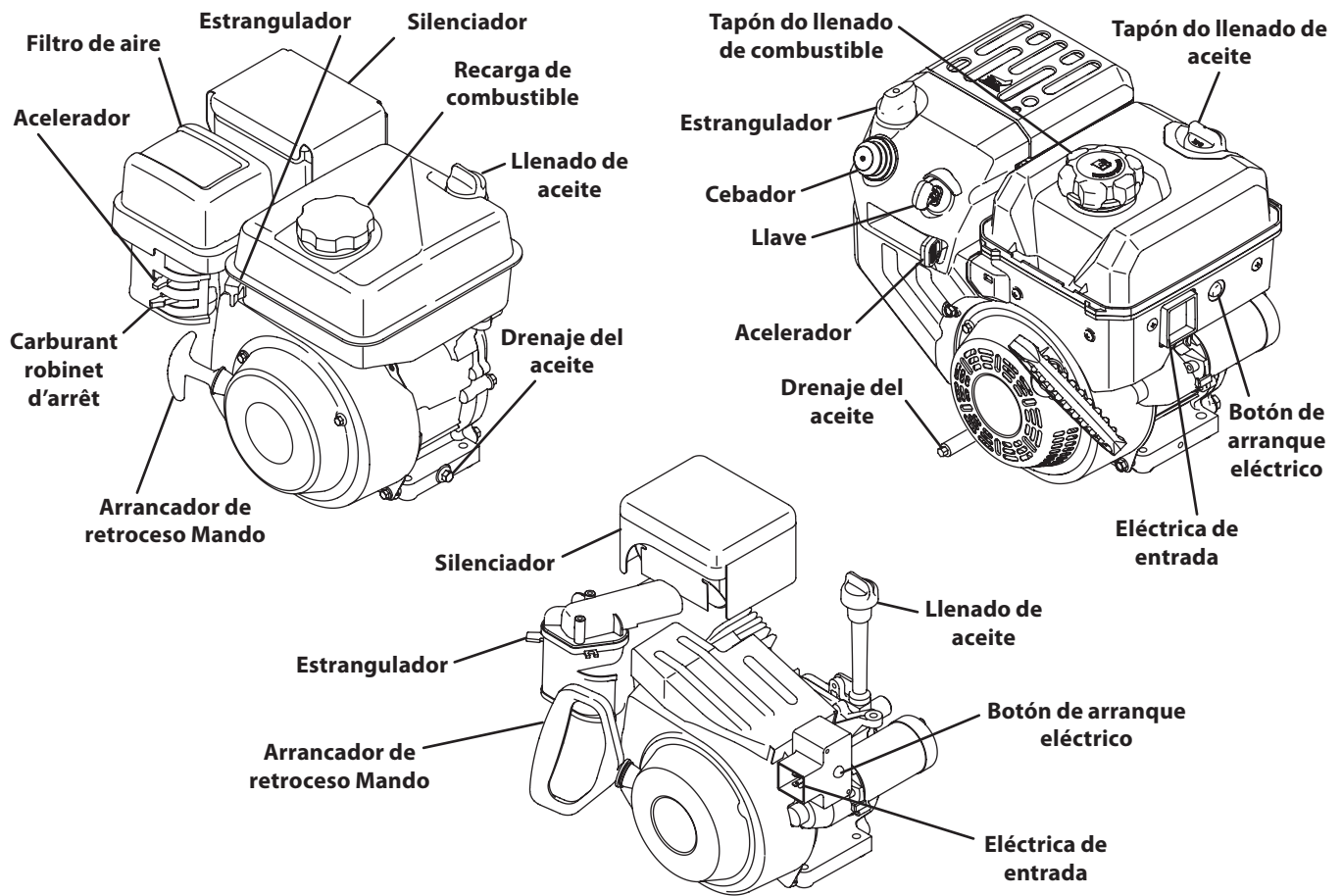


Figura 4-1

Acelerador

El control del acelerador regula la velocidad del motor y lo apaga cuando se lo coloca en la posición STOP (detención).

Estrangulador

Al activar el estrangulador se cierra el plato estrangulador del carburador y esto ayuda a arrancar el motor.

Drenaje del aceite

Al sacar el tapón de drenado, el aceite se drena del motor.

Tapón de llenado de aceite y varilla de medición del nivel de aceite

Saque el tapón del aceite para verificar el nivel del mismo y agregar más.

Tapón de llenado de combustible

Saque el tapón del combustible para agregar combustible.

Manija del arrancador de retroceso

Tire de la manija del arrancador para encender el motor.

Control de paso del combustible

Si está equipado, se usa para controlar el flujo de combustible entre el uso y el transporte/el almacenamiento.

Eléctrica de entrada

Es necesario usar un prolongador para exteriores de tres patas y una fuente de alimentación / tomacorriente de pared de 120V.

Botón de arranque eléctrico (si viene equipado)

Al presionar el botón que se encuentra en la parte superior del arrancador eléctrico se engrana el arrancador eléctrico del motor cuando está conectado a una fuente de alimentación de 120V.

Cebador (si viene equipado)

Al presionar el cebador se envía combustible directamente al carburador del motor para ayudar al encendido del motor.

Llave (si viene equipado)

La llave es un dispositivo de seguridad. Debe estar completamente insertada para que el motor arranque. Extraiga la llave cuando no use la máquina quitanieve.

Importante: No gire la llave para intentar arrancar el motor. Al hacerlo podría romperla.

Control previo al funcionamiento

¡IMPORTANTE! El motor se despacha sin gasolina ni aceite en su interior. Si se hace funcionar el motor sin suficiente aceite puede dañarse gravemente y se anula la garantía.

¡IMPORTANTE! Algunos motores se envían ya con aceite en el motor, otros sin que el motor tenga ya el aceite. Es muy importante controlar el aceite antes de operar el motor y agregar más si es necesario. Consulte la Sección Configuración incluida en este manual para ver las instrucciones para el control y la carga de aceite.

Para su seguridad y a fin de maximizar la vida útil de este equipo, es muy importante controlar su estado antes de operar este motor. Asegúrese de darle servicio, corregir o solucionar cualquier problema que pudiese identificarse antes de intentar operar este motor.

⚠ ¡ADVERTENCIA!

Si se realiza un mantenimiento inadecuado de este motor o si no se corrige algún problema antes de su operación, se puede producir un funcionamiento indebido que podría generar lesiones graves o incluso la muerte.

Realice siempre una inspección previa al funcionamiento antes de cada operación y corrija todos los problemas.

Antes de arrancar el motor, controle siempre los siguientes puntos:

1. Combustible recomendado (*consulte la sección Configuración*)
2. Control del nivel de aceite (*consulte la sección Configuración*)
3. Filtro de aire (*consulte la sección Mantenimiento*)
4. Inspección general. Controle para detectar la existencia de pérdidas o descargas de líquidos y de piezas flojas o dañadas.
5. Controle el manual del propietario que se entrega con el equipo que se acciona con este motor. Analice el manual del propietario para repasar las precauciones y los procedimientos que deben seguirse antes de poner en marcha el motor.

Encendido del motor

⚠ ¡ADVERTENCIA!

Siempre mantenga las manos y los pies alejados de las partes móviles. No utilice fluidos comprimidos para arrancar. Los vapores son inflamables.

⚠ ¡ADVERTENCIA!

El motor debe ponerlo en marcha un adulto. Sólo se puede permitir que un niño ponga en marcha el motor si un adulto ha determinado que el niño tiene experiencia y es capaz para realizar dicha operación.

⚠ ¡ADVERTENCIA!

Si no puede poner en marcha este motor después de seguir las instrucciones incluidas en este manual, comuníquese con el distribuidor de servicio MTD autorizado. Para evitar lesiones graves por quemadura o daños al motor, NO intente poner en marcha este motor ni detectar problemas relacionados con el mismo de ninguna otra manera, por ejemplo:

- NO use fluidos para arrancar.
- NO rocíe vapores inflamables en el carburador.
- NO cargue líquidos inflamables en el carburador.
- NO opere el motor ni tire de la cuerda de arranque si se extrajo la bujía. Se puede salpicar combustible a través del orificio de la bujía y puede encenderse.

NOTA: Deje que el motor se caliente durante unos minutos tras el arranque. El motor no desarrollará toda su potencia hasta que alcance temperaturas operativas.

Debe **familiarizarse** con los símbolos del motor que se indican en la Figura 5-1, antes de intentar poner en marcha este motor. Si este motor se controla de forma remota mediante el equipo que acciona, asegúrese de familiarizarse también con el Manual del operador del equipo.



Figura 5-1

1. Si viniera equipado con ella, inserte la llave.

¡IMPORTANTE! La llave es un dispositivo de seguridad. No gire la llave para intentar arrancar el motor. Al hacerlo podría romperla.



Figura 5-2

NOTA: Las siguientes instrucciones para el arranque son para muchos tipos diferentes de motores. A fin de ubicar las instrucciones que corresponden a su motor, debe determinar primero qué tipo de arrancador tiene. Si tiene un arrancador eléctrico, consulte Motores con arrancadores eléctricos. Si tiene un arrancador manual de retroceso, consulte Motores con arrancadores de retroceso que figura más adelante en esta sección.

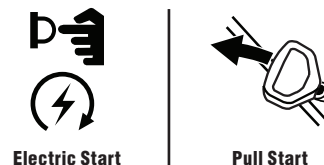


Figura 5-3

Motores con arrancadores eléctricos



Si tiene un arrancador manual de retroceso, consulte Motores con arrancadores de retroceso que figura más adelante en esta sección.

⚠ ¡ADVERTENCIA!

NO tire de la manija del arrancador mientras el motor está en marcha.

⚠ ¡ADVERTENCIA!

El motor de arranque eléctrico está equipado con un enchufe de energía 120V AC diseñado para funcionar con un cable de extensión con conexión a tierra y corriente doméstica de 120 V AC. Debe estar conectado a tierra correctamente en todo momento para evitar la posibilidad de lesiones o muerte por descarga eléctrica.

- Determine si el cableado de su hogar tiene un sistema de Interruptor de falla a tierra (G.F.I.) de tres cables conectados a masa; si no está seguro, pregúntese a un electricista matriculado.
- Si su hogar no tiene un sistema de interruptor de falla a tierra (G.F.I.) de tres cables conectados a masa, NO USE ESTE ARRANCADOR ELÉCTRICO BAJO NINGUNA CIRCUNSTANCIA.
- Si el cableado de su hogar está conectado a tierra y no hay un enchufe de conexión a tierra de tres espigas con interruptor de falla a tierra en el lugar donde se usará el arrancador, un electricista matriculado debe instalar uno; ¡ANTES DE QUE SE USE EL ARRANCADOR ELÉCTRICO!

- Para evitar el envenenamiento por monóxido de carbono, asegúrese de que el motor esté al aire libre en un área bien ventilada.
- Compruebe que la válvula de paso del combustible, si está incluida (consulte las instrucciones del Manual del operador del equipo), esté abierta y que todos los interruptores estén en la posición de encendido.
- Conecte el cable de alimentación a la caja del interruptor del motor. Enchufe el extremo del cable de alimentación en el tomacorriente.

⚠ PRECAUCIÓN

El cable de extensión puede ser de cualquier longitud, pero debe ser clasificado para 15 amperios a 125 voltios, tierra y clasificado para su uso en exteriores.

IMPORTANTE: Siempre debe conectar el cable de alimentación primero a la caja del interruptor del motor; luego en el tomacorriente.

- Coloque el control del estrangulador en la posición "FULL CHOKE (estrangulador al máximo)".
- Mueva el control de velocidad del motor, si está incluido, hasta la posición "Fast (rápido)".
- Si fuera posible, beba entre 3 y 5 veces.
 - Compruebe que cubra el orificio de ventilación con el pulgar.
 - Mantenga apretado el bulbo del cebador durante un segundo completo cada vez que lo oprima.

NOTA: NO utilice el bulbo del cebador para reiniciar un motor caliente tras una detención breve. Si lo hace ahogará el motor y hará que el equipo funcione mal.

NOTA: Si reinicia un motor caliente tras una detención breve, mueva el control de velocidad del motor (si está incluido) hasta la posición "FAST (rápido)" y mueva el control del estrangulador a la posición NO CHOKE (sin estrangulador).

- Presione el botón del arrancador para arrancar el motor.

IMPORTANTE: NO opere el arrancador eléctrico por más de 5 segundos en cada intento.

- Suelte el botón del arrancador.

NOTA: Si el motor no arranca después de 3 intentos, repita los pasos 6 a 7.

- Después de encender el motor:

- Mueva el control del estrangulador hasta la posición 1/2 "CHOKE (1/2 estrangulador)" hasta que el motor funcione suavemente.
- A continuación, mueva el control del estrangulador hasta la posición NO CHOKE (sin estrangulador).

NOTA: Si el motor arranca pero falla cuando se mueve el control del estrangulador hasta la posición NO CHOKE (sin estrangulador). Siga estos pasos:

- Coloque el control del estrangulador por un momento nuevamente en la posición FULL "CHOKE (estrangulador al máximo)".
- A continuación, mueva el control del estrangulador hasta la posición 1/2 "CHOKE (1/2 estrangulador)" hasta que el motor funcione suavemente.
- Por último, mueva el control del estrangulador hasta la posición NO CHOKE (sin estrangulador).

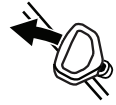
NOTA: Si el motor se apaga con el control del estrangulador en la posición "NO CHOKE" (sin estrangulador), repita los pasos 5 a 9 para volver a encender el motor.

NOTA: Si el motor no arranca después de 3 intentos en la posición "NO CHOKE" (sin estrangulador), mueva el control del estrangulador hasta la posición "FULL CHOKE" (estrangulador al máximo) y repita los pasos 5 a 9 para volver a encender el motor.

- Desconecte el alargador del tomacorriente.
- Desconecte el alargador de la caja del interruptor del motor.

IMPORTANTE: Si el motor no arranca después de realizar los pasos 1 a 11, comuníquese con el distribuidor de servicio MTD autorizado. NO intente detectar los problemas de este motor de ninguna otra manera.

Motores con arrancadores de retroceso



Si tiene un arrancador eléctrico, consulte Motores con arrancadores eléctricos que figura previamente en esta sección.

⚠ ¡ADVERTENCIA!

NO tire de la cuerda de arranque con el motor en funcionamiento. Si lo hace puede ANULAR LA GARANTÍA.

- Para evitar el envenenamiento por monóxido de carbono, asegúrese de que el motor esté al aire libre en un área bien ventilada.
- Compruebe que la válvula de paso del combustible, si está incluida (consulte las instrucciones del Manual del operador del equipo), esté abierta y que todos los interruptores estén en la posición de encendido.
- Coloque el control del estrangulador en la posición "FULL CHOKE (estrangulador al máximo)".
- Mueva el control de velocidad del motor, si está incluido, hasta la posición "FAST (rápido)".
- Si fuera posible, beba entre 3 y 5 veces.
 - Compruebe que cubra el orificio de ventilación con el pulgar.
 - Mantenga apretado el bulbo del cebador durante un segundo completo cada vez que lo oprima.

NOTA: NO utilice el bulbo del cebador para reiniciar un motor caliente tras una detención breve. Si lo hace ahogará el motor y hará que el equipo funcione mal.

NOTA: Si reinicia un motor caliente tras una detención breve, mueva el control de velocidad del motor (si está incluido) hasta la posición "FAST (rápido)" y mueva el control del estrangulador a la posición NO CHOKE (sin estrangulador).

⚠ ¡ADVERTENCIA!

Cuando tire de la cuerda de arranque, esta puede saltar hacia atrás inesperadamente hacia el motor causando lesiones graves. Para evitar este riesgo, siga estas instrucciones con cuidado:

- Tome la manija de la cuerda de arranque.
 - Tire de la cuerda lentamente hacia afuera hasta que sienta resistencia.
 - Deje que la cuerda se retraiga, luego continúe tirando de la cuerda con un golpe rápido del brazo.
 - Vuelva la cuerda lentamente a su posición original.

NOTA: Si se siguen las instrucciones mencionadas en los pasos precedentes se evitan los daños potenciales al mecanismo de retroceso.

NOTA: Si la manija del arrancador de retroceso está congelada y no enciende el motor, proceda de la siguiente manera:

- Saque la mayor cantidad de cuerda posible del arrancador.
 - Suelte la manija del arrancador y deje que vuelva y golpee con fuerza contra el arrancador para romper el hielo; estos dos pasos sólo deben hacerse cuando el arrancador está congelado.
7. Si el motor no arranca después de 3 intentos, repita los pasos 4 a 6, e inténtelo nuevamente.
8. Después de encender el motor:
- Mueva el control del estrangulador hasta la posición 1/2 "CHOKE (1/2 estrangulador)" hasta que el motor funcione suavemente.
 - A continuación, mueva el control del estrangulador hasta la posición NO CHOKE (sin estrangulador).

NOTA: Si el motor arranca pero falla cuando se mueve el control del estrangulador hasta la posición NO CHOKE (sin estrangulador).

- Coloque el control del estrangulador por un momento nuevamente en la posición "FULL CHOKE (estrangulador al máximo)".
- A continuación, mueva el control del estrangulador hasta la posición 1/2 "CHOKE (1/2 estrangulador)" hasta que el motor funcione suavemente.
- Por último, mueva el control del estrangulador hasta la posición NO CHOKE (sin estrangulador).

NOTA: Si el motor se apaga con el control del estrangulador en la posición "NO CHOKE" (sin estrangulador), repita los pasos 5 a 9 para volver a encender el motor.

NOTA: Si el motor no arranca después de 3 intentos en la posición "NO CHOKE" (sin estrangulador), mueva el control del estrangulador hasta la posición "FULL CHOKE" (estrangulador al máximo) y repita los pasos 5 a 9 para volver a encender el motor.

IMPORTANTE: Si el motor no arranca después de realizar los pasos 1 a 11, comuníquese con el distribuidor de servicio MTD autorizado. NO intente detectar los problemas de este motor de ninguna otra manera.

Detención del motor y almacenamiento de corto plazo

Detenga el motor de acuerdo con el Manual del operador del equipo.

⚠ ¡ADVERTENCIA!

Para evitar que alguien opere el motor sin supervisión, especialmente un niño, **NUNCA lo deje sin vigilancia mientras está en marcha. Apague siempre el motor después de usarlo y saque la llave de encendido, si está incluida.**

⚠ ¡ADVERTENCIA!

NUNCA almacene el motor con el combustible en el tanque de combustible dentro de una construcción con probables fuentes de encendido como calentadores de agua y calefactores, secadores de ropa, motores eléctricos, etc.

Detención del motor

1. Si opera el motor en la nieve o la lluvia, haga que funcione durante unos minutos para ayudar a que se seque toda la humedad.
2. Mueva el control del equipo, si está incluido (consulte el Manual del propietario del equipo), la palanca de control del motor o el interruptor de encendido hasta la posición "STOP (detención)" u "OFF (apagado)".
3. Saque la llave de encendido, si está incluida (consulte el Manual del operador del equipo).

NOTA: Al retirar la llave se reduce la posibilidad de que el motor sea puesto en marcha sin autorización mientras el equipo no está en uso.

⚠ WARNING!

NUNCA almacene el motor con el combustible en el tanque de combustible dentro de una construcción con probables fuentes de encendido como calentadores de agua y calefactores, secadores de ropa, motores eléctricos, etc.

Después de que se detiene el motor

⚠ WARNING!

Para evitar el congelamiento posible de los controles del motor, siga las instrucciones que se indican a continuación con el motor DETENIDO:

1. Limpie toda la nieve y humedad de la palanca de control del motor y de las áreas del estrangulador.
2. Mueva el control del equipo, si está incluido (consulte el Manual del operador del equipo), la palanca de control del motor o el interruptor de encendido hacia adelante y atrás varias veces y deje el control en la posición "STOP (detención)" u "OFF (apagado)".
3. Mueva el estrangulador hacia adelante y atrás varias veces y déjelo en la posición "FULL CHOKE (estrangulador al máximo)".
4. Compruebe que la válvula de paso del combustible, si está presente, esté apagada.

Programa de mantenimiento

	Primeras 5 horas	Cada uso o cada 5 horas.	Cada temporada o cada 25 horas	Cada temporada o cada 50 horas	Cada temporada o cada 100 horas	Fechas de Mantenimiento
Inspeccione el nivel de aceite del motor		✓				
Cambie el aceite del motor	✓			✓		
Verifique el depurador de aire (si viene equipado)		✓				
servicio del depurador de aire (si viene equipado)					✓	
Inspeccione las bujías de encendido			✓			
Reemplace la bujía					✓	
Limpie la cubierta del motor (si viene equipado)		✓				
Limpie alrededor del silenciador		✓				
Reemplace el filtro de combustible (si viene equipado)					✓	

La inspección y los ajustes periódicos del motor son esenciales si se desea mantener un alto nivel de desempeño. El mantenimiento regular también garantizará una prolongada vida útil del motor. Los intervalos de mantenimiento requeridos y el tipo de mantenimiento a ser realizado se describen en la tabla precedente. Siga los intervalos por hora o calendarios, lo que ocurra primero. Cuando se opera en condiciones adversas es necesario llevar a cabo un mantenimiento más frecuente.

⚠ ¡ADVERTENCIA!

Apague el motor antes de realizar el mantenimiento. Para evitar una puesta en marcha accidental, desconecte la funda de la bujía.

NOTA: Si el motor debe inclinarse para transportar equipo o para inspeccionar o extraer pasto, mantenga el lado de la bujía del motor hacia arriba. Si la bujía del motor se transporta o se inclina hacia abajo puede causar humo, problemas de arranque, suciedad en la bujía o saturación con aceite del depurador de aire.

⚠ ¡ADVERTENCIA!

Si el motor ha estado funcionando, el silenciador estará muy caliente. Tenga cuidado de no tocar el silenciador.

Recomendaciones sobre el aceite

Consulte el cuadro de viscosidad de la Fig. 6-1 para las recomendaciones relacionadas con el aceite. No llene excesivamente. Use un 4 tiempos, o un detergente marca equivalente, el aceite de la prima de motor de calidad certificada para cumplir o exceder los requisitos del fabricante EE.UU. automóvil para la clasificación de servicios de un nivel mínimo de SF o SG (grados más altos de la carta son aceptables como SJ, SL y grados SM). El aceite de motor se mostrará esta denominación en el envase.

NOTA: No utilice aceites sin detergente ni aceite para motor de tres tiempos. Podría reducirse la vida útil del motor.

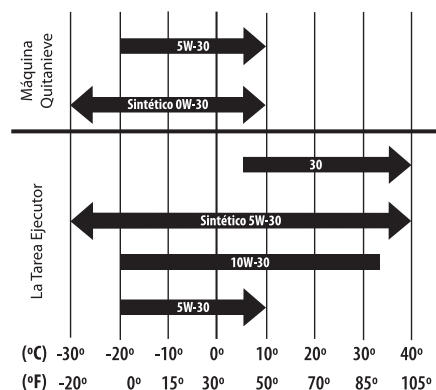


Figura 6-1

Control y cambio del aceite

Para evitar que el motor resulte dañado, es importante que:

- Controle el nivel de aceite antes de cada uso y cada 5 horas de funcionamiento cuando el motor está tibio.
- Cambie el aceite después de las 5 primeras horas de operación y cada 50 horas de operación a partir de ese momento. El motor debe estar tibio aún pero NO caliente por su uso reciente.

NOTA: Para los motores que tienen una varilla de medición, consulte las instrucciones de Tapón de llenado del aceite con varilla de medición que figuran a continuación en esta sección. Para los motores que no tienen una varilla de medición, consulte las instrucciones de Tapón de llenado del aceite sin varilla de medición que figuran posteriormente en esta misma sección.

Varilla de medición del nivel y tapón de llenado de aceite

⚠ ¡ADVERTENCIA!

Antes de inclinar el motor o equipo para drenar el aceite, drene el combustible del depósito haciendo funcionar el motor hasta que el depósito de combustible esté vacío.

- Desconecte con cuidado el cable de la bujía y manténgalo alejado de la misma. Consulte la Fig. 6-2 para determinar dónde está la bujía.
 - Mantenga el cable de la bujía que está desconectado de forma segura, alejado de las piezas metálicas donde se podría formar un arco eléctrico.
 - Conecte con cuidado el cable de la bujía al borne de puesta a masa, si está incluido.

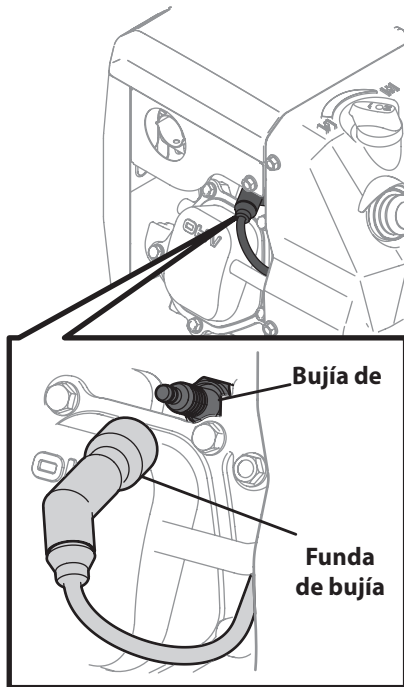


Figura 6-2

- Asegúrese de que el tapón de llenado del combustible esté puesto y ajustado de forma segura.
- Asegúrese de encontrar la ubicación correcta del tapón de drenado del aceite, si está incluida (consulte las instrucciones del Manual del operador del equipo).
- Limpie el área alrededor del tapón de drenado del aceite.
- Coloque un recipiente de aceite reciclable aprobado bajo el tapón de drenaje del aceite, si está incluido.

- Retire el tapón de drenado del aceite, si está incluido. Vea la Fig. 6-3.

NOTA: Dependiendo del modelo de motor que tenga, el tapón de aceite puede ser colocado de forma diferente. Estas posiciones incluyen en la parte frontal y / o parte posterior del bloque, o como un tubo extendido. Los ejemplos se muestran en la figura. 6-3.

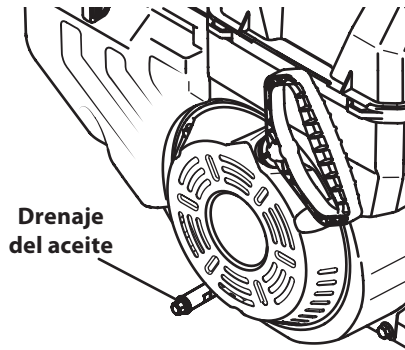


Figura 6-3

⚠ ¡ADVERTENCIA!

El aceite usado del motor puede causar cáncer de piel si entra en contacto con la piel de manera reiterada y por períodos prolongados. Si bien esto es improbable a menos que manipule aceite usado todos los días, sin embargo es recomendable lavarse bien las manos con agua y jabón inmediatamente después de haber manipulado aceite usado.

- Incline el motor para ubicar el flujo de aceite de manera que se drene desde el punto más bajo del motor (consulte las instrucciones del Manual del operador del equipo).
- Drene el aceite en un recipiente de aceite reciclable aprobado.

NOTA: Elimine el aceite del motor usado de la manera que sea compatible con el medio ambiente. Sugerimos que lo coloque en un recipiente sellado y lo lleve a la estación de servicio local para su recuperación. No lo tire a la basura ni lo vierta en el suelo.
- Instale el tapón de drenaje del aceite y ajuste bien.
- Limpie el área alrededor del tapón de drenado del aceite.
- Saque la varilla de medición de aceite del tapón.

- Cargue el aceite recomendado, consulte las especificaciones para el aceite y el combustible que figuran en la sección Configuración del presente manual, y la Fig. 6-3.

NOTA: NO cargue en exceso el cuello de llenado. Si lo hace, se puede producir arrastre al equipo y causar que funcione mal o se dañe.

NOTA: NO permita que el nivel de aceite se reduzca por debajo de la marca "ADD (agregar)" de la varilla de medición. Si lo hace el equipo puede funcionar mal o dañarse.

- Limpie todo el aceite que se haya derramado.
- Verifique el nivel del aceite instalando el tapón de llenado/varilla de medición del aceite.
 - Para los modelos de tapón de llenado/varilla de medición del aceite a rosca, asiente el tapón sobre las roscas, no apriete hacia abajo el tapón para verificar el nivel de aceite.
 - Para los modelos de tapón de llenado/varilla de medición del aceite de un cuarto de giro, apriete hacia abajo el tapón para verificar el nivel del aceite.

NOTA: Vea la sección Configuración que aparece antes en el manual para donde encontrará instrucciones detalladas sobre cómo identificar y verificar el aceite en cada uno de los modelos específicos de motores.

- Saque el tapón/varilla de medición del aceite. Si el nivel es bajo, agregue aceite lentamente hasta que el nivel esté en un punto intermedio entre alto (H) y bajo (L), Fig. 3-2. y 3-3 en la sección Configuración.
- Repita los pasos 14 y 15 para asegurarse de que se ha logrado el nivel de aceite correcto.
- Una vez que se haya confirmado el nivel de aceite, instale el tapón de llenado/varilla de medición del aceite. Ajuste bien.
- Desconecte con cuidado el cable conector del borne de puesta a masa, si está incluido.
- Reconecte con cuidado el cable conector a la bujía.

NOTA: Es recomendable volver a verificar el nivel de aceite una vez que haya hecho funcionar el motor durante un rato, y que se haya alcanzado la temperatura operativa normal del motor.

⚠ ¡ADVERTENCIA!

Si el motor estuvo en marcha, el silenciador, la culata del motor y la bujía estarán muy calientes. Tenga cuidado de no tocar ninguno de estos componentes hasta que se hayan enfriado.

Mantenimiento de bujía

⚠ ¡ADVERTENCIA!

NO pruebe la chispa si no está la bujía de encendido. NO dé arranque al motor si no está la bujía de encendido.

Controle la bujía anualmente o cada 100 horas de operación. Para asegurarse de que el motor funcione bien, la bujía debe tener una separación correcta y debe estar libre de depósitos.

1. Quite la funda de la bujía.
2. Limpie el área alrededor de la bujía.
3. Use una llave para bujías para extraerla.

⚠ ¡ADVERTENCIA!

Si el motor estuvo en marcha, el silenciador, la culata del motor y la bujía estarán muy calientes. Tenga cuidado de no tocar ninguno de estos componentes hasta que se hayan enfriado.

4. Inspeccione visualmente la bujía. Elimine la bujía si presenta mucho desgaste, o si el aislante está agrietado o astillado. Reemplace la bujía si los electrodos están picados, quemados o saturados con depósitos.
5. Limpie la bujía con un cepillo de alambre si se va a reutilizar.
6. Mida la separación de bujía con un calibrador. Corrija de ser necesario torciendo el electrodo lateral. Vea la Fig. 6-4. La separación debe establecerse en 0.030 pulg. (0.76mm).
7. Controle que la arandela de la bujía esté en buen estado.
8. Enrosque la bujía a mano para evitar que se enrosque cruzada.
9. Una vez que la bujía está asentada en su lugar, ajuste con una llave para bujía para comprimir la arandela.

NOTA: Cuando instale una bujía nueva, apriete $\frac{1}{2}$ de giro después de colocar la bujía en su lugar para comprimir la arandela. Cuando reinstale una bujía usada, ajuste $\frac{1}{8}$ - $\frac{1}{4}$ de giro después que la bujía se encuentra colocada en su lugar a fin de comprimir la arandela.

NOTA: La bujía debe estar firmemente asegurada. Si la bujía no está bien asegurada puede calentarse mucho y dañar el motor.

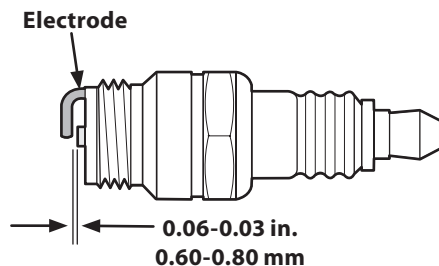


Figura 6-4

Filtro de aire

NOTA: No todos los motores tienen filtros de aire, como los motores que se usan para las máquinas quitanieve. Debe darle servicio al filtro de aire si uno está incluido.

Los filtros de papel no se pueden limpiar. Se deben reemplazar una vez al año o cada 100 horas de funcionamiento y con mayor frecuencia si se utilizan en lugares donde hay gran cantidad de polvo.

⚠ ¡ADVERTENCIA!

Nunca use gasolina o solventes de punto de encendido bajo para limpiar el elemento del depurador de aire. Podría producirse un incendio o explosión.

NOTA: Nunca haga funcionar los motores que tienen filtros de aire sin ellos. Se puede producir el desgaste rápido del motor.

1. Oprima la lengüeta de la tapa del filtro de aire y levante la tapa o desenrosque los tornillos de apriete manual, en función del modelo de motor que tenga. Vea la Fig. 6-5.
2. Reemplace el elemento de papel si está sucio o dañado. Limpie el elemento de espuma o reemplácelo si está dañado.

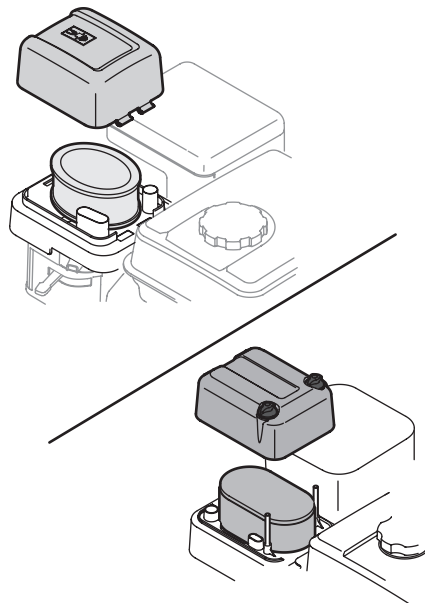


Figura 6-5

3. Para limpiar el elemento de espuma, sepárelo del elemento de papel y lávelo con detergente líquido y agua. Permita que se seque bien antes de usarlo. No lubrique el elemento de espuma.

Ajustes

NO realice ningún ajuste del motor. Los ajustes de fábrica son satisfactorios para la mayoría de las condiciones. Si los ajustes se necesitan, comuníquese con el Distribuidor de servicio de MTD autorizado.

Carburador

Si considera que el carburador necesita ajuste, consulte al Distribuidor de servicio de MTD autorizado. El desempeño del motor NO debe verse afectado a altitudes de hasta 7,000 pies (2,134 m). Para el funcionamiento a mayores altitudes, comuníquese con el Distribuidor de servicio de MTD autorizado.

Alternador (si viene equipado)

Comuníquese con el Distribuidor de servicio de MTD autorizado por los problemas eléctricos relacionados con el alternador como:

- El arrancador no funciona
- La batería está descargada
- Cambio de fusible
- Mantenimiento/repificaciones del alternador

Velocidad del motor

⚠ ¡ADVERTENCIA!

Para evitar lesiones graves o la muerte, NO modifique el motor de ninguna manera. Si altera la configuración del regulador, el motor se puede desbocar y funcionar a velocidades que no son seguras. NUNCA cambie la configuración de fábrica del regulador del motor.

⚠ ¡ADVERTENCIA!

Hacer funcionar el motor más rápidamente que la velocidad configurada de fábrica puede ser peligroso y ANULARÁ LA GARANTÍA.

Extracción de la nieve del motor

Después de cada uso, extraiga la nieve de las siguientes áreas:

- Varilla de medición del nivel del tapón de llenado de aceite
- Tapón de llenado de combustible
- Arrancador de retroceso/Pantalla del volante
- Enlaces
- Protecciones
- Conexión de la bujía (si se ve).
- Caja del interruptor del arrancador eléctrico, si está incluida (consulte las instrucciones del Manual del operador del equipo).

NOTA: Consulte las instrucciones del Manual del operador del equipo para conocer la ubicación adecuada del tapón de llenado del combustible y de la palanca de control.

- Si se extrae la nieve se facilita la operación de la cuerda del arrancador de retroceso y se reduce el riesgo de que se produzca una contaminación por agua cuando se abre el tapón de llenado del combustible.

NOTA: Si desea obtener más información acerca de los arrancadores de retroceso, consulte Motores con arrancadores de retroceso en la Sección sobre operación del presente manual.

Transporte del motor

⚠ ¡ADVERTENCIA!

NUNCA transporte este motor dentro de otro vehículo o en un espacio cerrado si hay gasolina en el tanque. El vapor del combustible o el combustible derramado pueden prenderse fuego.

⚠ ¡ADVERTENCIA!

Si hay combustible en el tanque, cierre la válvula de paso del combustible, si viene equipada, y transporte el motor en posición vertical, en un vehículo abierto, como un remolque abierto o la caja abierta de una camioneta.

Si NO dispone de un vehículo abierto y tiene que transportar el motor en posición vertical en un vehículo cerrado, siga estos pasos para vaciar el tanque de combustible antes de transportar el motor:

- Vacíe el tanque de combustible con un dispositivo de succión disponible comercialmente que esté diseñado para usarse con gasolina.

⚠ ¡ADVERTENCIA!

NO vierta el combustible del motor ni haga sifón con la boca para que salga.

- Drene el combustible en un recipiente rojo para gasolina aprobado, tomando precauciones para evitar derrames.
- Haga funcionar el motor hasta que el combustible restante se haya consumido.

⚠ ¡ADVERTENCIA!

NUNCA deje el motor sin atención cuando está en funcionamiento y NUNCA haga funcionar el motor en un área cerrada.

Almacenamiento del motor Almacenamiento a corto plazo/ estacional

Limpie el motor

Si el motor ha estado funcionando, déjelo enfriar durante por lo menos media hora antes de limpiarlo.

Antes de dar servicio al motor, extraiga la cubierta del carburador y/o el alojamiento del soplador. Elimine la suciedad y los residuos de las siguientes áreas:

- Aletas de refrigeración
- Filtro de admisión de aire o Áreas de protección del volante/arrancador de retroceso
- Conexión de la bujía
- Palancas
- Área de enlace
- Protecciones
- Carburador
- Culata

La extracción de los residuos asegura que el enfriamiento sea adecuado, la velocidad del motor correcta y el riesgo de incendio menor.

NOTA: No rocíe el motor con agua para limpiarlo porque el agua podría contaminar el combustible. Con una manguera de jardín o equipo de lavado a presión también puede forzar agua dentro del depurador de aire o la abertura del silenciador. El agua en el depurador de aire embeberá el elemento de papel, y el agua que pasa a través del elemento o silenciador puede ingresar en el cilindro, causando daño.

⚠ ¡ADVERTENCIA!

La acumulación de residuos alrededor del silenciador podría producir un incendio. Inspecciónelo y límpielo antes de cada uso.

Almacenamiento del combustible

⚠ ¡ADVERTENCIA!

NUNCA almacene el motor con combustible en el tanque dentro de una construcción con fuentes potenciales de encendido como calentadores de agua, calefactores, secadores de ropa, motores eléctricos, etc. Si lo hace se puede producir una explosión y causar muertes o lesiones graves.

NOTA: Si el combustible del motor almacenado en el tanque de gasolina y/o en un recipiente para gasolina aprobado, sin un producto estabilizador para gasolina, no se usará durante más de 15 a 30 días, debe prepararlo para el almacenamiento a corto plazo/estacional. Consulte Tratamiento del combustible posteriormente en esta sección.

NOTA: Si se desea almacenar el combustible del motor durante más de una temporada, sin un producto estabilizador para gasolina, se deteriorará gradualmente. Además, si se lo almacena en el tanque de gasolina del motor sin un producto estabilizador para gasolina, es probable que en el carburador queden depósitos de goma, el sistema de combustible se obstruya y se ANULARÁ LA GARANTÍA. Prepare el combustible para un almacenamiento prolongado.

Sistema de combustible

Para evitar que el combustible se eche a perder y que haya problemas con el carburador, debe tratar el sistema de combustible de la siguiente manera:

NOTA: Respete siempre la proporción de mezclado que figura en el recipiente del estabilizador. Si no lo hace se puede dañar el equipo.

NOTA: NO es necesario drenar la gasolina estabilizada del carburador.

Tratamiento del combustible

- Agregue el estabilizador del combustible de acuerdo con las instrucciones del Fabricante.
- Haga funcionar el motor por lo menos 10 minutos después de agregar el estabilizador para permitirle llegar al carburador.

⚠ ¡ADVERTENCIA!

NUNCA almacene el motor con el combustible en el tanque de combustible dentro de una construcción con probables fuentes de encendido como calentadores de agua, calefactores, secadores de ropa, motores eléctricos, etc.

NOTA: En lugar de utilizar un producto conservante/estabilizador del combustible, puede vaciar el tanque de combustible como se indica a continuación en Almacenamiento prolongado - Cómo drenar el combustible.

Almacenamiento prolongado

Cómo drenar el combustible

NOTA: Saque los residuos del motor antes de drenar el combustible del carburador.

NOTA: Si ya preparó el combustible para el almacenamiento a corto plazo NO es necesario drenar del carburador el combustible que contiene un estabilizador.

⚠ ¡ADVERTENCIA!

Para evitar lesiones graves o muertes, NO vierta combustible del motor ni haga sifón con la boca para que salga.

1. Para evitar lesiones graves por incendios de combustible, vacíe el tanque de combustible haciendo funcionar el motor hasta que se pare por falta de combustible. NO intente verter combustible del motor.
2. Haga funcionar el motor mientras espera hasta que el combustible restante se haya consumido.

⚠ ¡ADVERTENCIA!

NUNCA deje el motor sin atención cuando está en funcionamiento y NUNCA haga funcionar el motor en un área cerrada.

3. Comience el servicio del diámetro interior del cilindro de acuerdo con las siguientes instrucciones.

Diámetro interior del cilindro de aceite

⚠ ¡ADVERTENCIA!

Cuando lubrique el diámetro interior del cilindro, es posible que salpique combustible por el orificio de la bujía. Para evitar lesiones graves por incendios de combustible, siga estas instrucciones:

1. Apague todos los interruptores del motor.
2. Retire la llave de encendido, si viene equipada.
3. Desconecte con cuidado el cable de la bujía y manténgalo alejado de la misma.
 - Mantenga el cable de la bujía que está desconectado de forma segura, alejado de las piezas metálicas donde se podría formar un arco eléctrico.
 - Conecte con cuidado el cable de la bujía al borne de puesta a masa, si está incluido.

4. Retire la bujía de encendido.
5. Rocíe ½ onza (30ml) de aceite de motor limpio dentro del orificio de la bujía de encendido.
6. Cubra el orificio de la bujía con un trapo para evitar que se salpique combustible desde dicho orificio cuando se tira de la cuerda de arranque.

NOTA: para los motores que están equipados con un arrancador de retroceso, prosiga con el Paso 7. Para los motores que están equipados con arrancadores eléctricos, proceda prosiga con el Paso 8.

7. Para Motores con Arrancadores de Retroceso:
 - Tome la manija de la cuerda de arranque:
 - Tire de la manija de la cuerda de arranque hacia afuera lentamente con un golpe de todo el brazo.
 - Repita una vez. Así se distribuirá aceite en todo el cilindro para evitar la corrosión durante el almacenamiento.
 - Prosiga con el Paso 9.
8. Para Motores con Arrancadores Eléctricos:
 - Conecte un alargador en el conector de tres patas situado en la superficie del motor. Conecte el otro extremo del alargador a un tomacorriente de CA de tres patas de 120 voltios con conexión a tierra en un área bien ventilada.
 - Pulse y suelte inmediatamente el botón del arrancador. Así se distribuirá aceite en todo el cilindro para evitar la corrosión durante el almacenamiento.
 - Desconecte el alargador del tomacorriente.
 - Desconecte el alargador de la caja del interruptor del motor.
9. Saque el trapo del orificio de la bujía.
10. Instale la bujía.
11. Desconecte con cuidado el cable de la bujía del borne de puesta a masa, si está incluido.
12. Conecte el cable de la bujía a la bujía.

Aceite

Cambie el aceite si NO lo hizo durante los últimos 3 meses. Consulte el título Control y cambio de aceite ubicado unas páginas atrás en esta misma sección.

Almacenamiento fuera de temporada

⚠ PRECAUCIÓN

Si no se utiliza un aditivo estabilizador del combustible o si no se hace funcionar el motor hasta que se agote completamente el combustible antes del almacenamiento fuera de temporada, se puede dañar el carburador del motor. A los daños subsiguientes no los cubre la garantía del fabricantes.

Para almacenar los motores entre 30 y 90 días es necesario tratarlos con un estabilizador de gasolina y para almacenamientos de más de 90 días se necesita drenar el combustible para evitar deterioros y la formación de depósitos de goma en el sistema de combustible o en piezas fundamentales del carburador. Si la gasolina en su motor se deteriora durante el almacenamiento, puede resultar necesario reparar o reemplazar el carburador y otros componentes del sistema de combustible.

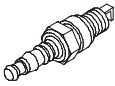
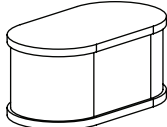



1. Extraiga todo el combustible del depósito haciendo funcionar el motor hasta que se detenga por falta de combustible.

⚠ ¡ADVERTENCIA!

Nunca deje el motor sin vigilancia mientras está en funcionamiento.

2. Cambie el aceite. Consulte el título Cambio de aceite ubicado unas páginas atrás en esta misma sección.
3. Lubrique el interior del cilindro. Consulte el título Cambio de aceite del interior del cilindro que figura en esta sección.
4. Limpie la suciedad de las áreas del motor y del silenciador. Retoque la pintura dañada, y revista con una película delgada de aceite las demás áreas que puedan oxidarse.
5. Almacene el motor en un sector limpio, seco y bien ventilado, lejos de cualquier artefacto que funcione con una llama o luz piloto como hornos, calentadores de agua o secadores de ropa. También evite cualquier sector con motores eléctricos que producen chispas o donde se utilizan herramientas eléctricas.
6. De ser posible, también evita áreas de almacenamiento con mucha humedad para evitar oxidación y corrosión.
7. Mantenga el motor nivelado cuando lo almacene. La inclinación del motor puede resultar en fugas de combustible o aceite.

Problema	Causa	Solución
El motor no arranca	<ol style="list-style-type: none"> 1. Motor ahogado 2. Se ha desconectado el cable de la bujía 3. El tanque de combustible está vacío 4. El combustible es viejo 5. El motor no está cebado 6. La bujía no funciona correctamente 7. El regulador está en posición detención 	<ol style="list-style-type: none"> 1. Espere al menos diez minutos antes de encender el motor 2. Conecte el cable a la bujía 3. Llene el tanque con gasolina limpia y fresca 4. Vacíe el tanque de combustible. Vuelva a llenarlo con combustible limpio 5. Ceba el motor 6. Límpiela, ajuste la distancia disruptiva o cámbiela 7. Cambie el regulador a la posición FAST (velocidad rápida) / RUN (funcionamiento)
El motor funciona de manera errática	<ol style="list-style-type: none"> 1. El cable de la bujía está flojo 2. El cable de la bujía está quemado o defectuoso o la separación de los electrodos está mal configurada 3. El combustible es viejo 4. El motor está funcionando con el cebador encendido 5. Agua o suciedad en el sistema de combustible 	<ol style="list-style-type: none"> 1. Conecte y ajuste el cable de la bujía. 2. Reajuste la separación de los electrodos o cámbiela 3. Vacíe el tanque de combustible. Vuelva a llenarlo con combustible limpio 4. Coloque el cebador en la posición off (apagado) 5. Vacíe el tanque de combustible. Vuelva a llenarlo con combustible limpio
El motor recalienta	<ol style="list-style-type: none"> 1. El nivel de aceite del motor está bajo 	<ol style="list-style-type: none"> 1. Llene el motor con la cantidad adecuada de aceite para motor

Componente	Número de Pieza y Descripción
	951-10292 Bujía
	951-12260 Filtro de Aire (Máquina rompe troncos) N/A Filtro de Aire (Máquina quitanieve)
	951-12533 Tapa Del Combustible (Máquina quitanieve)
	951-12535 Tapa Del Combustible (Máquina rompe troncos)
	731-05632 Key (Máquina quitanieve)

Teléfono (800) 800-7310 o (330) 220-4683 para solicitar piezas de reemplazo o un manual completo de piezas (tener su número de modelo y número de serie). Descargar el Manual de piezas también están disponibles de forma gratuita en www.mtdproducts.com.

DECLARACIÓN FEDERAL y/o DE CALIFORNIA SOBRE GARANTÍAS EN EL CONTROL DE EMISIONES SUS DERECHOS Y OBLIGACIONES EN CUANTO A LA GARANTÍA

MTD Consumer Group Inc, la Agencia de Protección Medioambiental de los Estados Unidos (EPA), y para aquellos productos certificados para su venta en el estado de California, el Departamento de los Recursos del Aire de California (CARB) se complacen en explicar la garantía que cubre al sistema de control (ECS) de emisiones de su equipo y motor (equipos de exteriores) de encendido por chispa para todo terreno, pequeño, de exteriores del año 2017-2018. En California, los nuevos motores de equipos de exteriores deben estar diseñados, construidos y equipados para cumplir con las estrictas normas antipolución del Estado (en otros estados, equipos de exteriores deben ser estar diseñados, construidos y equipados para cumplir con las regulaciones de motores de encendido por chispa para todo terreno pequeños de la Agencia de Protección Medioambiental de los Estados Unidos, (EPA). MTD Consumer Group Inc. debe garantizar el sistema de control de emisiones (ECS) de su motor de equipos de exteriores por el período de tiempo indicado más abajo, siempre y cuando no exista uso incorrecto, negligencia o mantenimiento inadecuado de equipos de exteriores.

Su ECS puede incluir piezas tales como el carburador, el sistema de inyección de combustible, el sistema de encendido, el convertidor catalítico, los depósitos de combustible, las líneas de combustible, los tapones de combustible, las válvulas, contenedores, filtros, mangueras de vapor, abrazaderas, conectores y otros componentes afines relacionados con las emisiones.

Donde exista una condición cubierta por la garantía, MTD Consumer Group Inc. reparará de equipos de exteriores sin costo alguno incluyendo el diagnóstico, las piezas y la mano de obra.

COBERTURA DE LA GARANTÍA DEL FABRICANTE:

Este sistema de control de emisiones se garantiza por el término de dos años. Si alguna pieza relacionada con las emisiones de su motor de equipos de exteriores es defectuosa, MTD CONSUMER GROUP INC. reparará o sustituirá dicha pieza.

RESPONSABILIDADES DEL PROPIETARIO SEGÚN LA GARANTÍA:

En su carácter de propietario de equipos de exteriores, usted es responsable del mantenimiento requerido que se especifica en el manual del propietario. MTD Consumer Group Inc le recomienda que conserve todos los recibos que cubren el mantenimiento de equipos de exteriores, obstante lo cual MTD Consumer Group Inc no podrá denegar el cumplimiento de la garantía únicamente por la falta de los recibos.

Como propietario de equipos de exteriores, usted debe saber que MTD Consumer Group Inc. puede denegar la cobertura de la garantía si su equipos de exteriores o una pieza del mismo fallan debido a uso incorrecto, negligencia, mantenimiento indebido o a modificaciones no aprobadas.

Usted es responsable de presentar su equipos de exteriores al centro de distribución o servicio técnico de MTD Consumer Group Inc. tan pronto como aparezca el problema. Las reparaciones cubiertas por la garantía se deben llevar a cabo en un lapso razonable que no exceda de 30 días. Si tiene alguna pregunta respecto de la cobertura de la garantía, póngase en contacto con el Departamento del Servicio Técnico de MTD Consumer Group Inc. al teléfono 1-800-800-7310 o por correo electrónico en <http://support.mtdproducts.com>.

COBERTURA DE LA GARANTÍA DE EMISIONES GENERALES:

MTD Consumer Group Inc garantiza al comprador final y a cada comprador subsiguiente que el equipos de exteriores: está diseñado, construido y equipado de modo de cumplir con todas las regulaciones aplicables y que se encuentra libre de defectos de materiales y de fabricación que pudieren causar la falla de una pieza garantizada idéntica, en todos los aspectos materiales a la pieza descrita en la solicitud de certificación de MTD Consumer Group Inc.

El período de garantía comienza en la fecha de entrega del equipos de exteriores al comprador final o en la fecha en que la máquina se pone en funcionamiento por primera vez. El período de garantía es de dos años.

Sujeto a ciertas condiciones y exclusiones que se indican a continuación, la garantía de las piezas relacionadas con las emisiones es la siguiente:

1. Cualquier pieza garantizada que no esté programada para ser reemplazada como parte del mantenimiento requerido en las instrucciones escritas suministradas se garantiza por el período de garantía arriba mencionado. Si la pieza falla durante el período de cobertura de la garantía, la misma será reparada o reemplazada por MTD Consumer Group Inc. de acuerdo con el párrafo (4) a continuación. Cualquier pieza reparada o reemplazada según la garantía se garantizará por el resto del período de garantía.
2. Cualquier pieza garantizada que esté programada solamente para inspección regular en las instrucciones escritas suministradas se garantiza por el período de garantía arriba mencionado. Cualquier pieza reparada o reemplazada según la garantía se garantizará por el resto del período.
3. Cualquier pieza garantizada que esté programada para reemplazo según el mantenimiento requerido de conformidad con las instrucciones escritas suministradas, se garantiza por el período de tiempo anterior a la primera fecha de reemplazo programada para esa pieza. Si la pieza falla antes del primer reemplazo programado, la misma será reparada o reemplazada por MTD Consumer Group Inc. de acuerdo con el párrafo (4) a continuación. Cualquier pieza reparada o reemplazada bajo garantía se garantizará por el resto del período anterior al primer reemplazo programado puntual para esa pieza.
4. La reparación o el reemplazo de cualquier pieza garantizada de conformidad con las disposiciones de la garantía que aquí se estipula se deben realizar en un centro de garantía sin costo alguno para el propietario.
5. No obstante las disposiciones que aquí se estipulan, los servicios o reparaciones bajo garantía se suministrarán en todos nuestros centros de distribución bajo franquicia de mantenimiento para los motores o equipos en cuestión.
6. El propietario de equipos de exteriores no deberá pagar el trabajo de diagnóstico directamente asociado con una pieza garantizada defectuosa en relación con las emisiones, siempre y cuando dicho trabajo de diagnóstico se realice en un centro cubierto por la garantía.

7. MTD Consumer Group Inc es responsable por daños causados a otros componentes de motores o equipos derivados de la falla bajo garantía de cualquier pieza garantizada.
8. Durante la totalidad del período de garantía del motor y equipo para todo terreno arriba mencionado, MTD Consumer Group Inc mantendrá un suministro de piezas bajo garantía suficiente para satisfacer la demanda esperada de tales piezas.
9. Cualquier pieza de reemplazo se podrá usar para el cumplimiento del mantenimiento o las reparaciones bajo garantía y se suministrarán sin cargo para el propietario. Dicho uso no reducirá las obligaciones de garantía de MTD Consumer Group Inc.
10. No se podrán usar piezas adicionales ni modificadas que no estén exentas de acuerdo con el Departamento de los Recursos del Aire (Air Resources Board). El uso de cualquier pieza adicional o modificada no exenta por el comprador final será causal de invalidez de los reclamos bajo garantía. MTD Consumer Group Inc no tendrá responsabilidad por la garantía de fallas de piezas garantizadas que fueren causadas por el uso de una pieza adicional no exenta o modificada.

PIEZAS GARANTIZADAS:

La reparación o el reemplazo de cualquier pieza garantizada que de otro modo pudiese estar cubierta por la garantía podrá ser excluida de tal cobertura de garantía si MTD Consumer Group Inc demuestra que el equipo de exteriores es objeto de uso incorrecto, negligencia o mantenimiento inadecuado, y que tal uso incorrecto, negligencia o mantenimiento inadecuado fue causa directa de la necesidad de reparación o reemplazo de dicha pieza. No obstante lo antedicho, cualquier ajuste de un componente con un dispositivo de limitación de ajuste instalado en fábrica y que funcione adecuadamente, podrá ser cubierto por la garantía. Además, la cobertura bajo esta garantía se extiende solo a piezas que estuvieron presentes en y equipo todo terreno adquiridos.

Están cubiertas las siguientes piezas con garantía para emisiones (de corresponder):

1. Sistema de medición de combustible
 - Sistema de mejora para inicio en frío (cebado suave)
 - Carburador y piezas internas (o sistema de inyección por combustible)
 - Bomba de combustible
 - Depósito de combustible
2. Sistema de inducción de aire
 - Purificador de aire
 - Colector de admisión
3. Sistema de encendido
 - Bujía(s) de encendido
 - Sistema de encendido por magneto
4. Sistema de encendido
 - Convertidor catalítico
 - SAI (válvula Reed)
5. Componentes varios utilizados en el sistema anterior
 - Válvulas e interruptores de vacío, temperatura, posición sensibles al tiempo
 - Conectores y montajes
6. Control evaporativo
 - Manguera de combustible
 - Abrazaderas de la manguera de combustible
 - Tapón del combustible atado por correa
 - Caja de carbono
 - Líneas de vapor

MTD LLC, P.O. BOX 361131 CLEVELAND, OHIO 44136-0019
