



Count on it.

Parts Catalog

**Power Max[®] Heavy Duty
826 OXE Snowthrower**

Model No. 38805—Serial No. 316000001 and Up



Ordering Replacement Parts

To order replacement parts, please supply the part number, the quantity, and the description of each part desired.

Understanding Reference Numbers

Each identified part in an illustration has a reference number. The reference number for a part also appears in the parts list, along with other information about the part.

This catalog uses two special reference number formats, one to indicate parts in a service assembly and another to indicate the quantity of a given part in an illustration.

Service Assembly Reference Numbers

Parts in service assemblies have reference numbers in the form a:b. The a represents the reference number of the entire service assembly and the b represents a sequential number unique to each part within the service assembly.

For example, a wheel assembly might be identified by reference number 6, the tire by 6:1, the valve by 6:2, and the wheel by 6:3. When you order the assembly identified by reference number 6, you receive all parts identified by reference numbers 6:1, 6:2, and 6:3. However, you may also order any part individually. Reference numbers of this type appear in illustration and in parts lists.

Reference Numbers Indicating Quantity

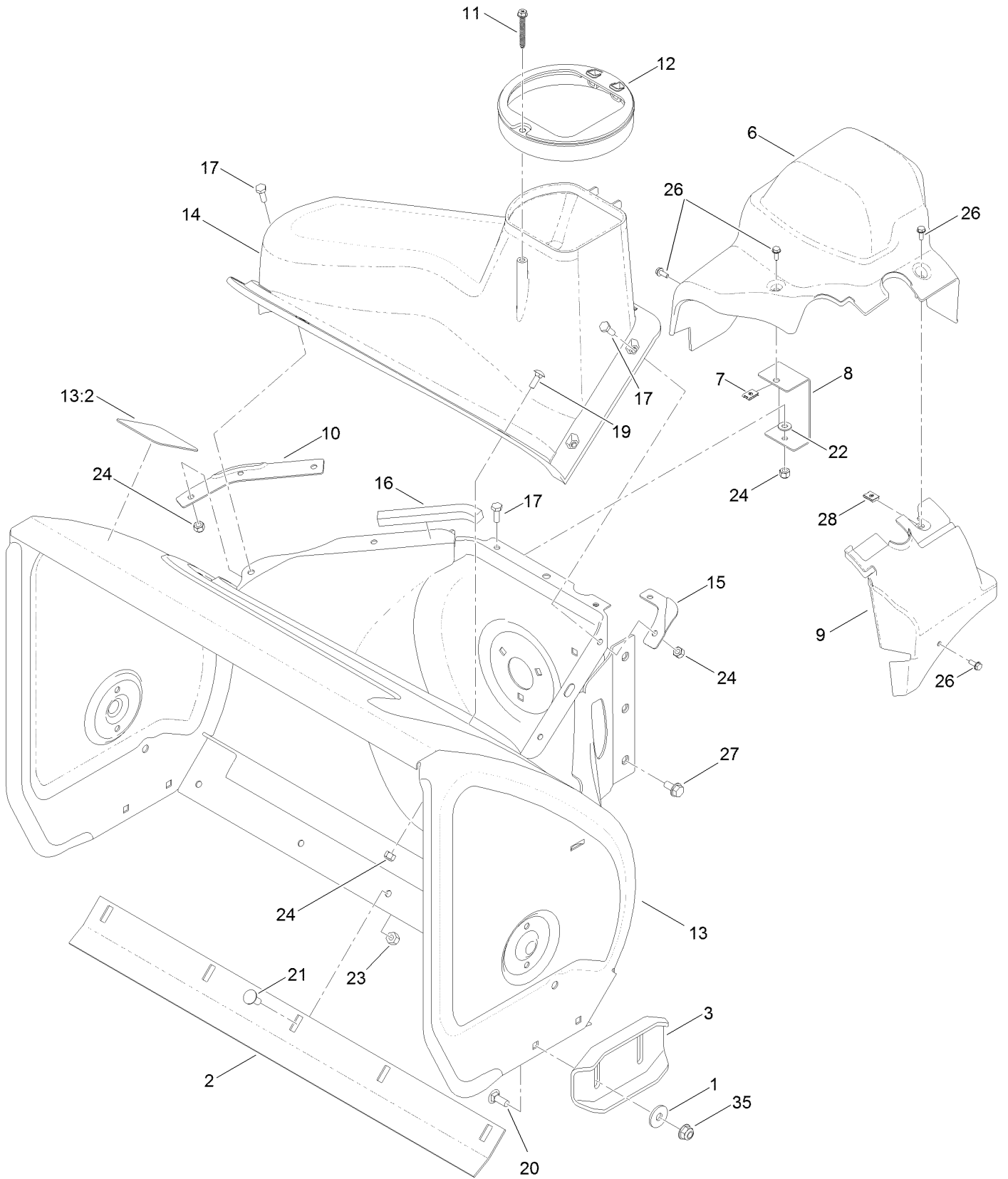
In an illustration, if a reference number indicates more than one part, the reference number has the form nX y. The n represents the quantity of the part, the X is the multiplication symbol, and the y represents the reference number.

For example, in an illustration, the reference number 2X 37 means that two of the parts identified by reference number 37 are indicated.

Contents

Housing and Bypass Assembly	4
Housing Assembly	6
Idler and Linkage Assembly	8
Auger and Impeller Assembly	10
Gear Case Assembly No. 125-7925	12
Impeller Assembly	14
Engine and Pulley Assembly	16
Fuel System and Carburetor Assembly	18
Intake and Exhaust Assembly	20
Ignition and Electrical Assembly	22
Crankcase Assembly	24
Governor Assembly	26
Piston and Head Assembly	28
Blower Housing and Shrouds Assembly	30
Engine Decal Assembly	32
Chute Assembly	34
Lever Chute Control Assembly	36
Handle Assembly	38
Control Assembly	40
Wheel Clutch Assembly	42
Wheel Clutch Sprocket Assembly	44
Attachments and Accessories	46

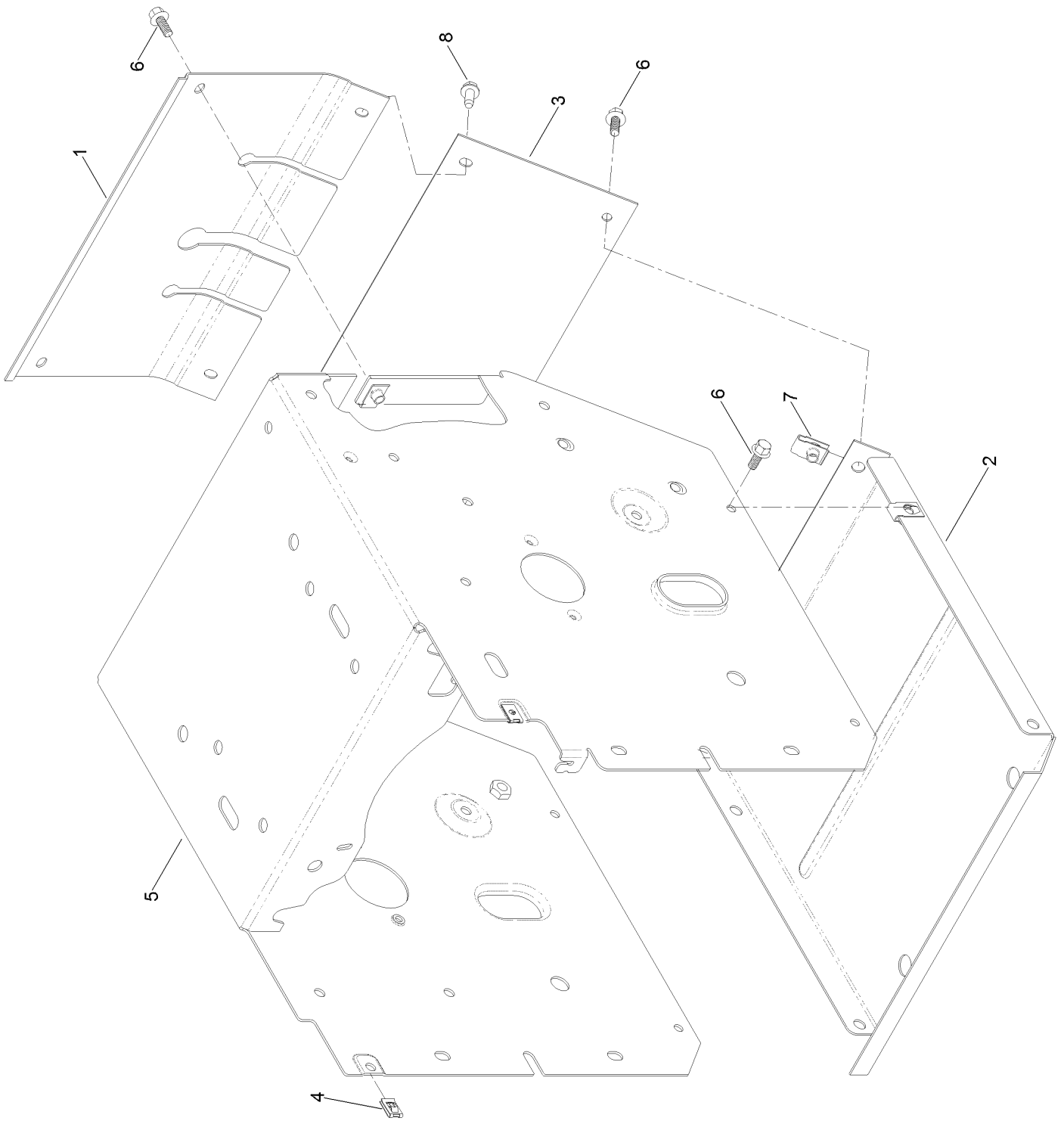
Housing and Bypass Assembly



Housing and Bypass Assembly (continued)

<i>Ref.</i>	<i>Part Number</i>	<i>Qty.</i>	<i>Description</i>	<i>Ref.</i>	<i>Part Number</i>	<i>Qty.</i>	<i>Description</i>
1	52-2861	4	Washer	15	108-0039-03	1	Seal
2	105-9976-01	1	Scraper-Fixed	16	120-0124	1	Seal-Housing
3	106-4588-01	2	Skid	17	321-4	7	Screw-HH
6	119-1563	1	Cover-Belt	19	3229-1	4	Bolt-CARR
7	107-1013	1	Nut-Speed, U-Type	20	3230-16	4	Screw-CARR
8	107-1014-03	1	Bracket-Cover, Clip Nut	21	3230-23	5	Screw-CARR
9	107-1016	1	Cover-Extension, Belt	22	3256-22	1	Washer-Flat
10	107-1017-03	1	Seal-Flange, Cover	23	3296-29	5	Nut-Lock, NI
11	114-3751	1	Screw-HWH, Plastite	24	3296-42	11	Nut-Lock, NI
12	107-3006	1	Guide-Chute	26	32144-112	4	Screw-HWH
13	107-3822	1	Housing-Auger, 26 Inch	27	32144-14	6	Screw-HWHTF
13:2	107-3040	1	Decal-Danger, Auger	28	701493	1	Nut-Speed
14	108-0017	1	Cover	35	104-8300	4	Nut-HF, NI

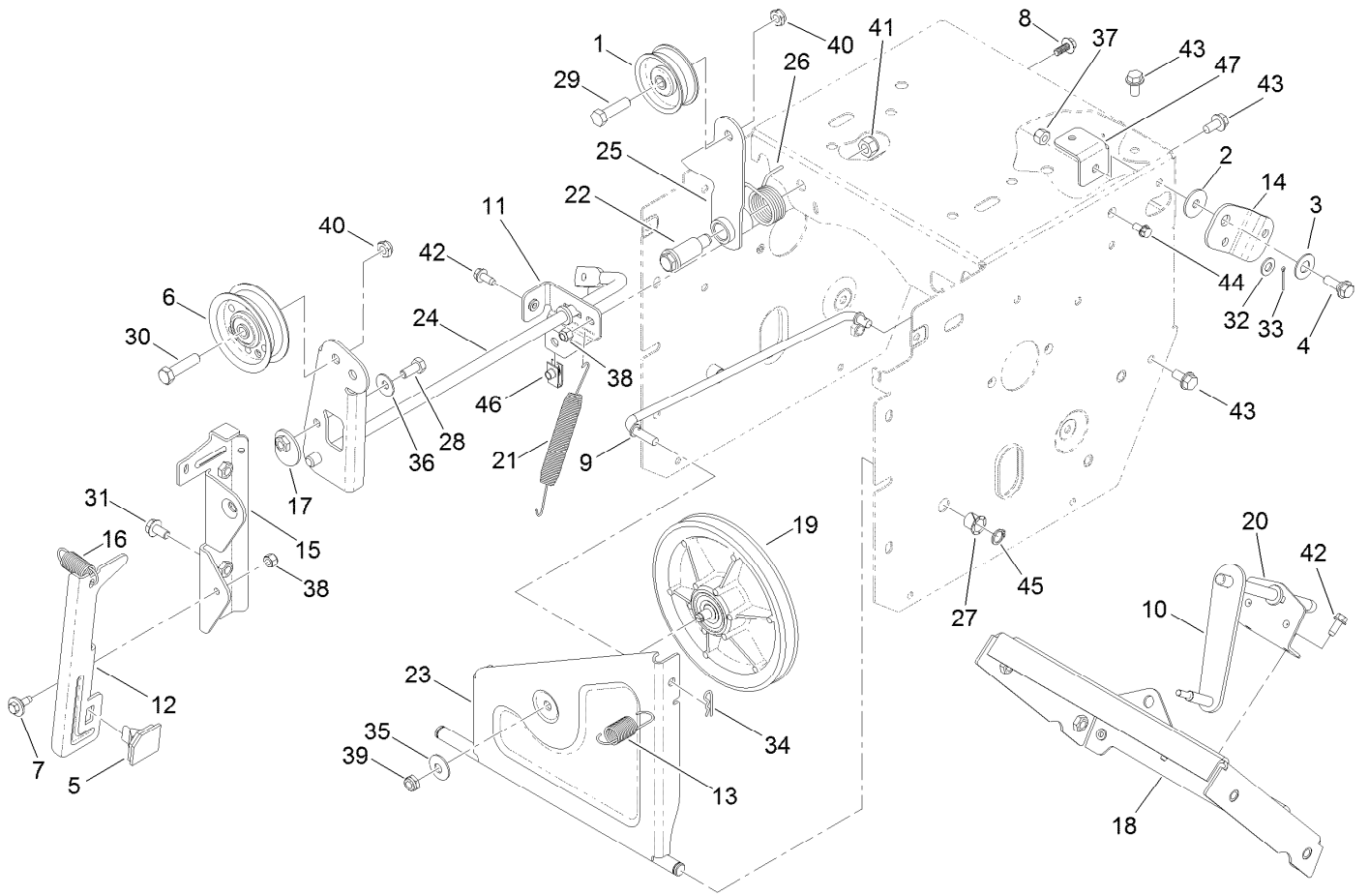
Housing Assembly



Housing Assembly (continued)

<i>Ref.</i>	<i>Part Number</i>	<i>Qty.</i>	<i>Description</i>	<i>Ref.</i>	<i>Part Number</i>	<i>Qty.</i>	<i>Description</i>
1	108-0022-01	1	Cover-Upper	5	120-9832-01	1	Frame-Traction
2	106-7330-01	1	Pan-Bottom	6	99-6810	8	Screw-HHF
3	106-7345-01	1	Cover-Lower	7	107069	7	Clip
4	107-1013	2	Nut-Speed, U-Type	8	32144-10	2	Screw-HWH

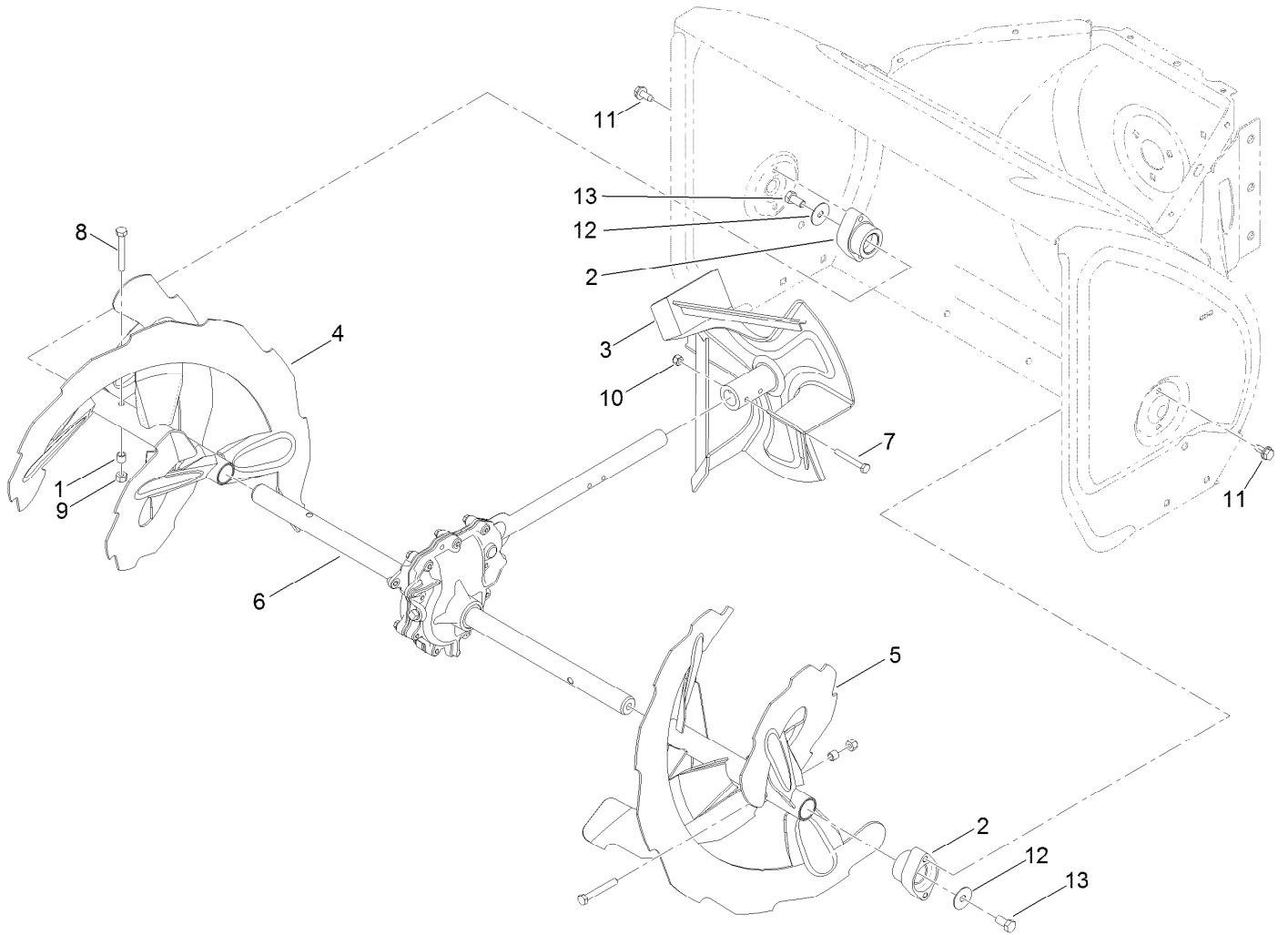
Idler and Linkage Assembly



Idler and Linkage Assembly (continued)

<i>Ref.</i>	<i>Part Number</i>	<i>Qty.</i>	<i>Description</i>	<i>Ref.</i>	<i>Part Number</i>	<i>Qty.</i>	<i>Description</i>
1	3-4244	1	Pulley-Idler	25	120-0148	1	Traction Idler Arm
2	5-4460	1	Washer-Pivot	26	120-3060	1	Spring-Torsion
3	25-5640	1	Washer	27	256-257	2	Bushing-Nyliner
4	27-0410	1	Screw-Shoulder	28	322-3	1	Screw-HH
5	66-8060	1	Pad-Brake	29	323-29	1	Screw-HH
6	92-7104	1	Pulley-Idler	30	323-8	1	Screw-HH
7	92-9698	1	Screw-Shoulder	31	3234-7	2	Screw-HHF
8	99-6810	1	Screw-HHF	32	3256-23	1	Washer-Plain
9	106-4467	1	Link-Control, Speed	33	3272-4	1	Pin-Cotter
10	106-7268	1	Lever-Control, Traction	34	3290-307	1	Pin-Cotter
11	120-9824	1	Bracket-Clutch, Impeller	35	3290-340	1	Washer-Belleville
12	107-1000	1	Arm-Brake	36	3290-456	1	Washer-Belleville
13	107-1003	1	Spring-Extension	37	3296-29	1	Nut-Lock, NI
14	107-1011	1	Bellcrank-Drive	38	3296-42	2	Nut-Lock, NI
15	107-1039	1	Bracket-Idler, Impeller	39	3296-5	1	Nut-Hex
16	107-1045	1	Spring-Extension	40	3296-59	2	Nut-Lock, NI
17	107-1047	1	Nut	41	3296-76	1	Nut-Lock, NI
18	108-0026-01	1	Shift Plate ASM	42	32144-10	3	Screw-HWH
19	108-0031	1	Pulley-Traction	43	32144-14	6	Screw-HWHTF
20	108-0036	1	Bracket-Rod, Shift	44	32144-4	1	Screw-HWH
21	108-2976	1	Spring-Extension	45	32151-61	2	Ring-Retaining
22	108-5056	1	Bolt-Shoulder	46	107069	1	Clip
23	108-7307	1	Bracket-Wheel, Friction	47	125-1124	1	Bracket-Frame, LH
24	120-0144-03	1	Impeller Clutch ASM				

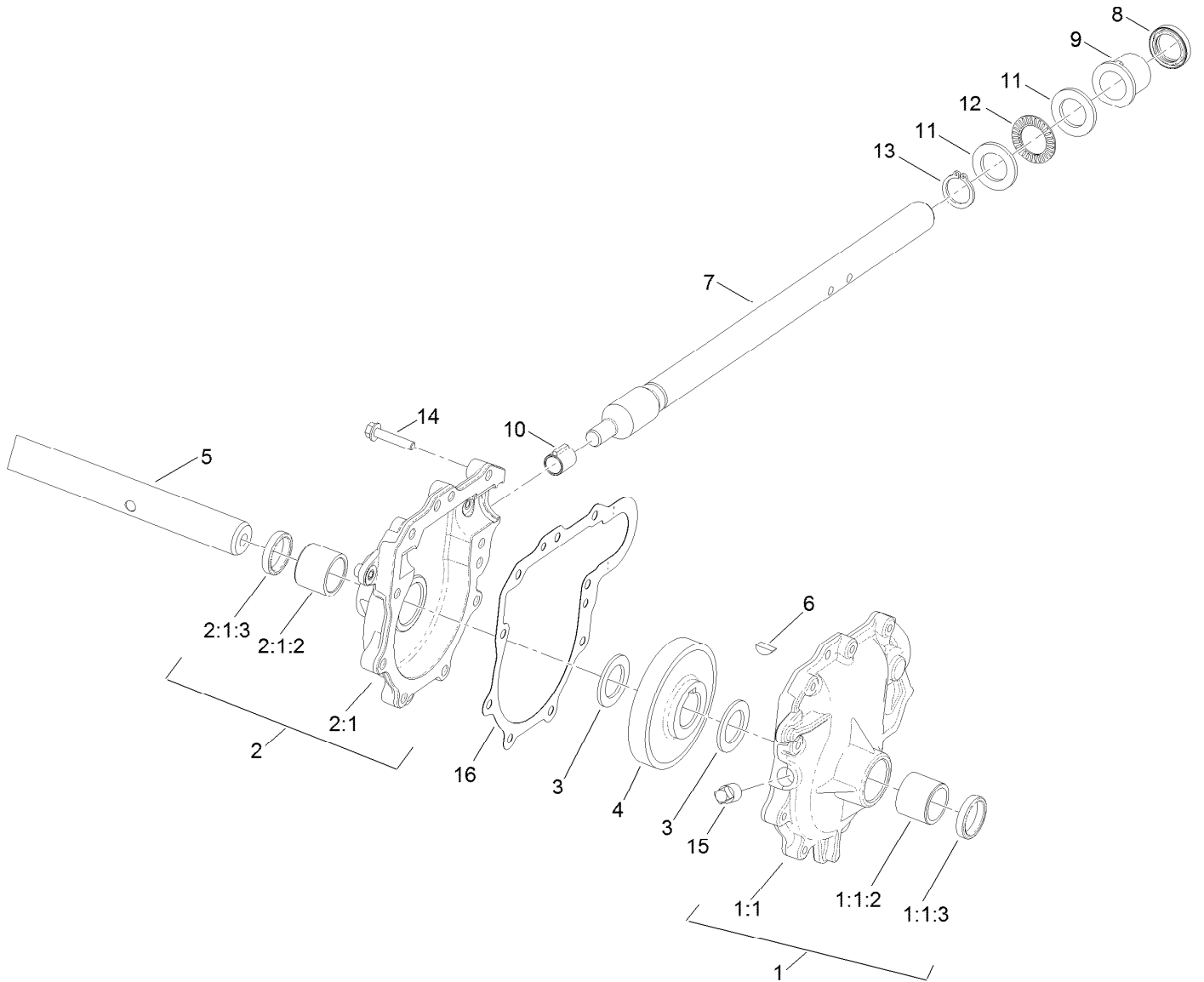
Auger and Impeller Assembly



Auger and Impeller Assembly (continued)

<i>Ref.</i>	<i>Part Number</i>	<i>Qty.</i>	<i>Description</i>	<i>Ref.</i>	<i>Part Number</i>	<i>Qty.</i>	<i>Description</i>
1	1-633545	2	Spacer	7	321-11	2	Screw-HH
2	106-4570	2	Bearing-Auger	8	322-11	2	Screw-HH
3	106-4576-03	1	Impeller ASM	9	3296-29	2	Nut-Lock, NI
4	106-7289-03	1	RH Auger ASM	10	3296-42	2	Nut-Lock, NI
5	106-7299-03	1	LH Auger ASM	11	32144-70	4	Screw-HWHTF
6	125-7925	1	26 Inch Auger Gearcase ASM	12	3-0750	2	Washer
				13	323-4	2	Screw-HH

Gear Case Assembly No. 125-7925

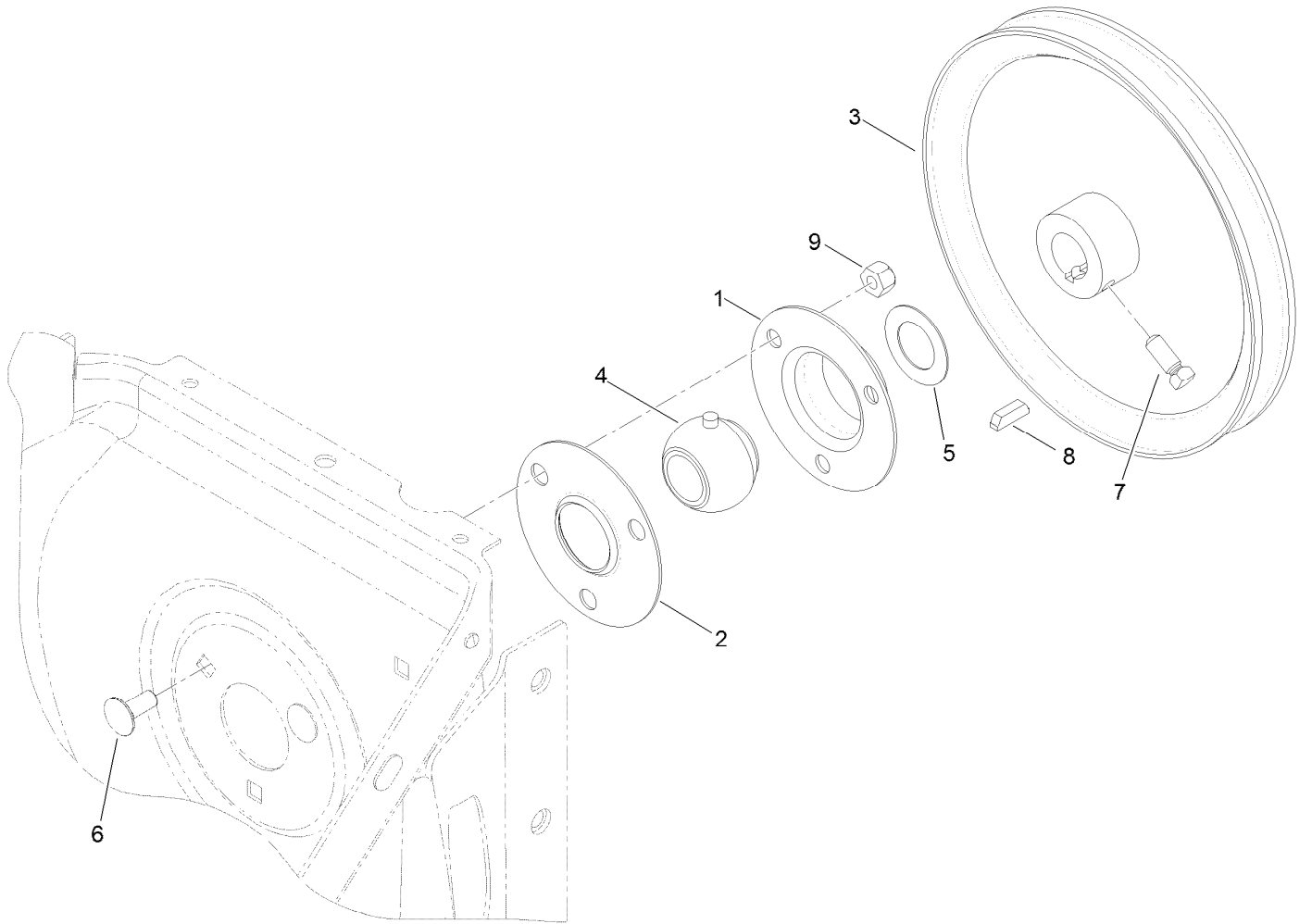


Gear Case Assembly No. 125-7925 (continued)

<i>Ref.</i>	<i>Part Number</i>	<i>Qty.</i>	<i>Description</i>	<i>Ref.</i>	<i>Part Number</i>	<i>Qty.</i>	<i>Description</i>
1	108-7325	1	LH Auger Gearcase ASM	6	3257-10	1	Key-Woodruff
1:1		1	Gearcase-Auger, LH ●	7	66-7811	1	Shaft-Impeller
1:1:2	112-6635	1	Bushing-Sleeve	8	253-149	1	Seal-Oil
1:1:3	7-0045	1	Seal-Oil	9	37-6560	1	Bushing-Input
2	108-7327	1	RH Auger Gearcase ASM	10	62-1150	1	Bushing-Worm
2:1		1	Gearcase-Auger, RH ●	11	252-78	2	Washer-Thrust
2:1:2	112-6635	1	Bushing-Sleeve	12	252-76	1	Bearing-Thrust
2:1:3	7-0045	1	Seal-Oil	13	32151-33	1	Ring-Retaining, Ext
3	252-71	2	Washer-Thrust	14	108-4862	9	Screw-HWHTF
4	62-0120	1	Gear-Helical	15	121-6832	1	Plug-Pipe, SQH
5	106-4579	1	Shaft-Auger	16	108-7330	1	Gasket-Gearcase, Auger

● Not serviced separately

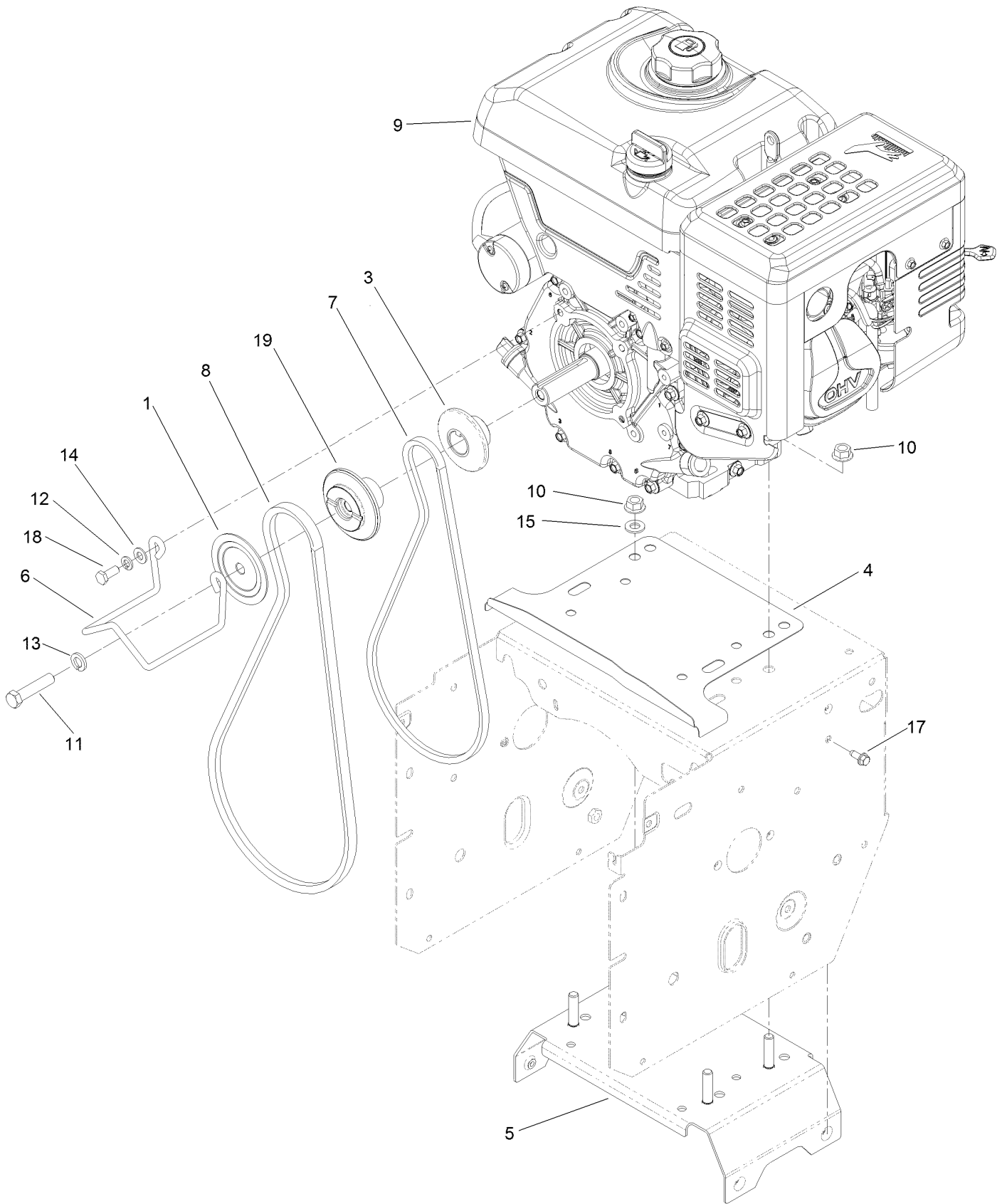
Impeller Assembly



Impeller Assembly (continued)

<i>Ref.</i>	<i>Part Number</i>	<i>Qty.</i>	<i>Description</i>	<i>Ref.</i>	<i>Part Number</i>	<i>Qty.</i>	<i>Description</i>
1	26-6110	1	Flange-Cup, Bearing	6	3230-23	3	Screw-CARR
2	26-6120	1	Flange-Cup, Bearing	7	1-803050	2	Screw-Set
3	62-1300	1	Pulley-Impeller	8	3257-23	1	Key-Woodruff
4	63-3450	1	Bearing-Ball	9	3296-29	3	Nut-Lock, NI
5	110-6767	1	Washer-Thrust				

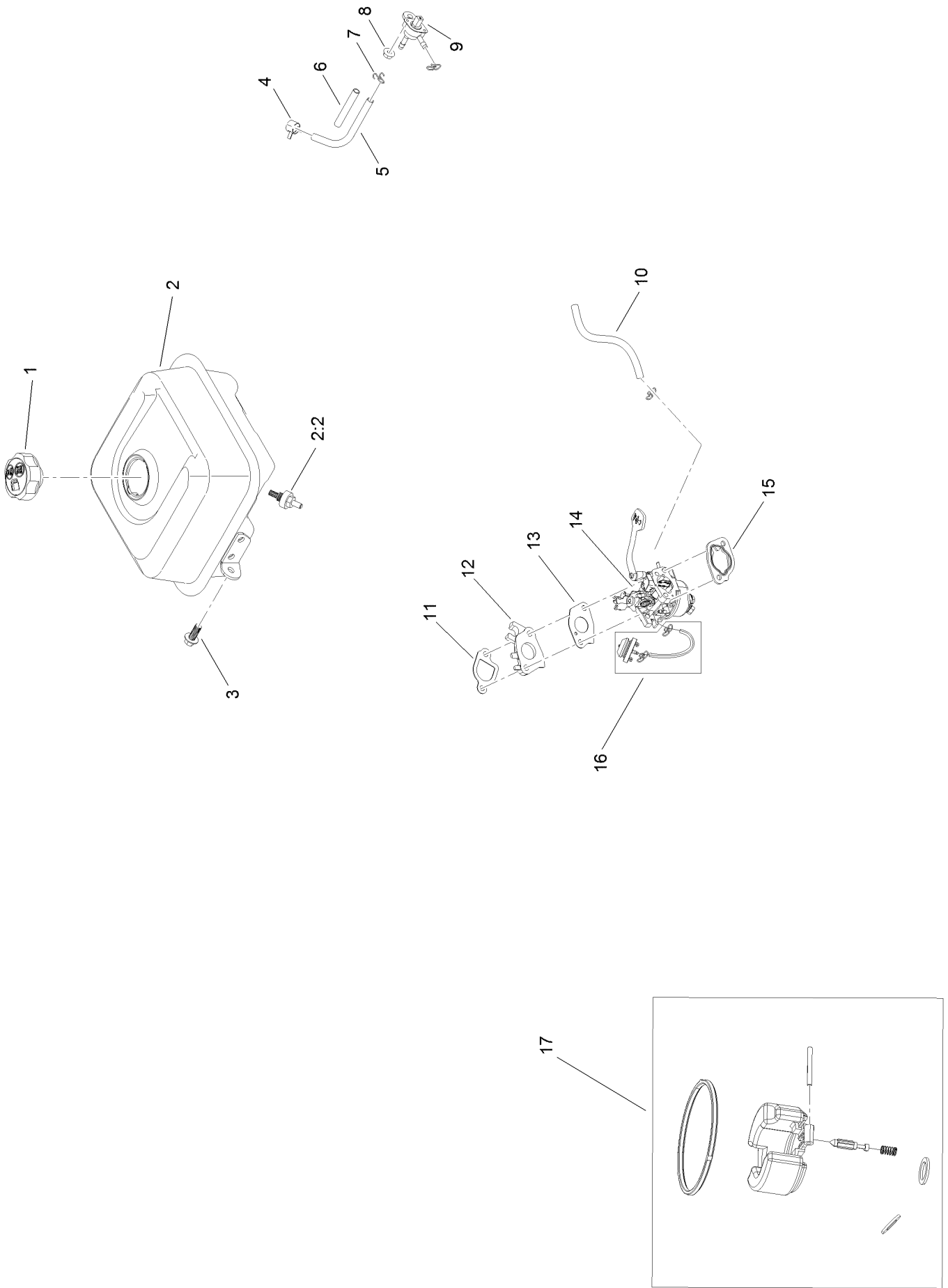
Engine and Pulley Assembly



Engine and Pulley Assembly (continued)

<i>Ref.</i>	<i>Part Number</i>	<i>Qty.</i>	<i>Description</i>	<i>Ref.</i>	<i>Part Number</i>	<i>Qty.</i>	<i>Description</i>
1	112-8139	1	Sheave-Half, Impeller	11	3211-9	1	Screw-HH
3	112-8138	1	Sheave-Half, Traction	12	3253-4	2	Washer-Lock
4	117-6022-01	1	Shield-Drive	13	3253-21	1	Washer-Lock
5	112-8128	1	Frame Brace ASM	14	3256-23	2	Washer-Plain
6	107-3835	1	Guide-Belt	15	3256-2	1	Washer-Flat
7	94-8812	1	V Belt-Traction	17	32144-10	4	Screw-HWH
8	106-4498	1	Belt-V	18	33114-020	2	Screw-HH
9	127-9168	1	Engine-G250Fds-1	19	112-8117	1	Pulley-Engine, Center
10	32128-20	4	Nut-HF				

Fuel System and Carburetor Assembly

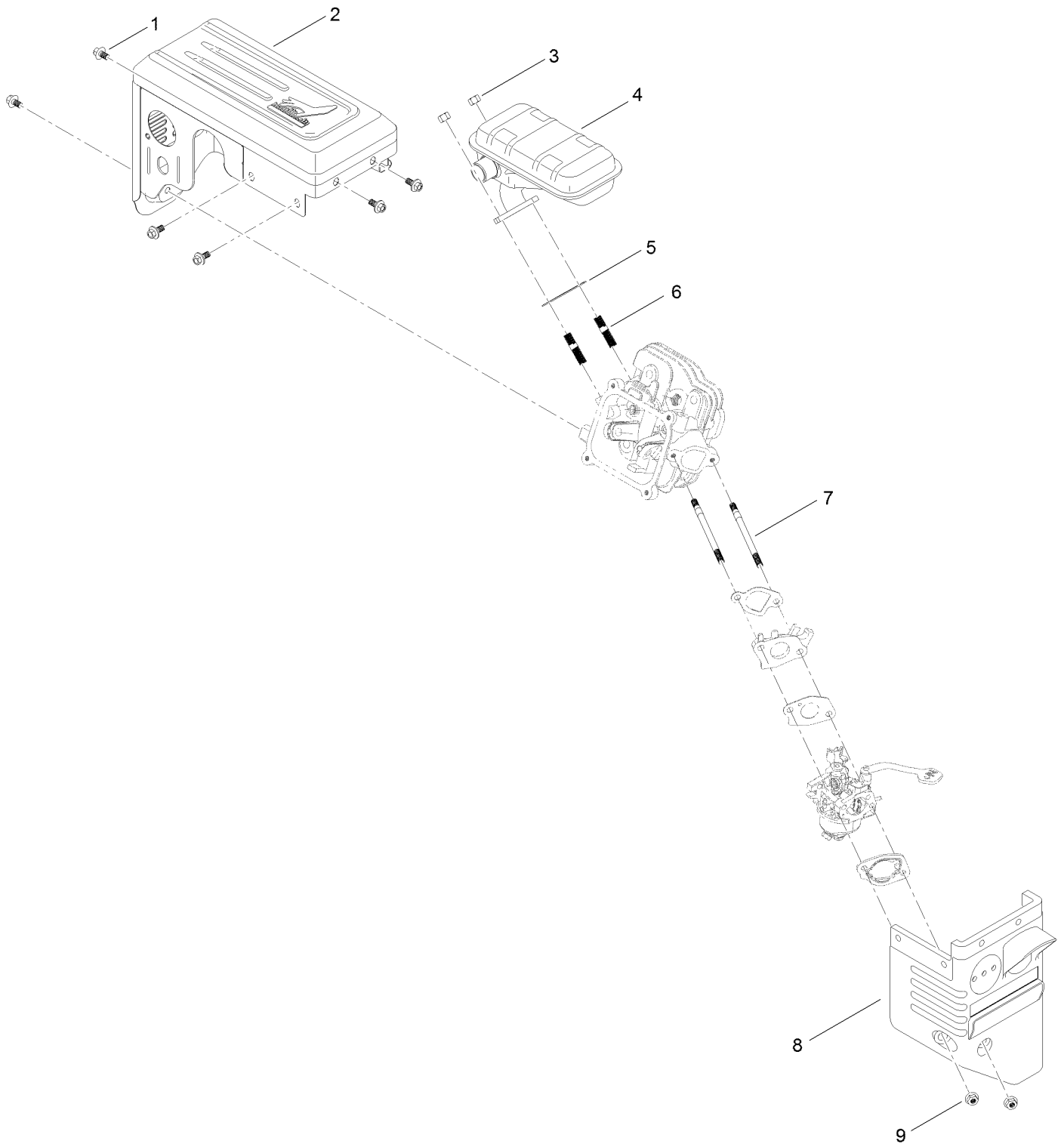


Fuel System and Carburetor Assembly (continued)

<i>Ref.</i>	<i>Part Number</i>	<i>Qty.</i>	<i>Description</i>	<i>Ref.</i>	<i>Part Number</i>	<i>Qty.</i>	<i>Description</i>
1	127-9365	1	Cap-Fuel (Phase 3)	10	127-9489	1	Hose-Fuel
2	133-1553	1	Fuel Tank And Filter ASM	11	133-1531	1	Gasket-Carburetor
2:2	127-9065	1	Filter-Fuel	12	133-1532	1	Insulator-Carburetor
3	121-0294	1	Screw-HHF	13	133-1533	1	Gasket-Carburetor
4	127-9120	1	Clamp-Hose	14	133-1534	1	Carburetor ASM
5	133-1556	1	Hose-Fuel	15	121-0080	1	Gasket-Carburetor
6	133-1538	1	Sleeve-Abrasion	16	127-9079	1	Primer Kit
7	121-0087	3	Clamp-Hose	17	127-9395	1	Internal Carb Service Kit
8	120-4236	1	Nut-Flange	99	127-9302	1	High Altitude Kit - G250 ●
9	127-9117	1	Valve-Fuel				

● Not illustrated

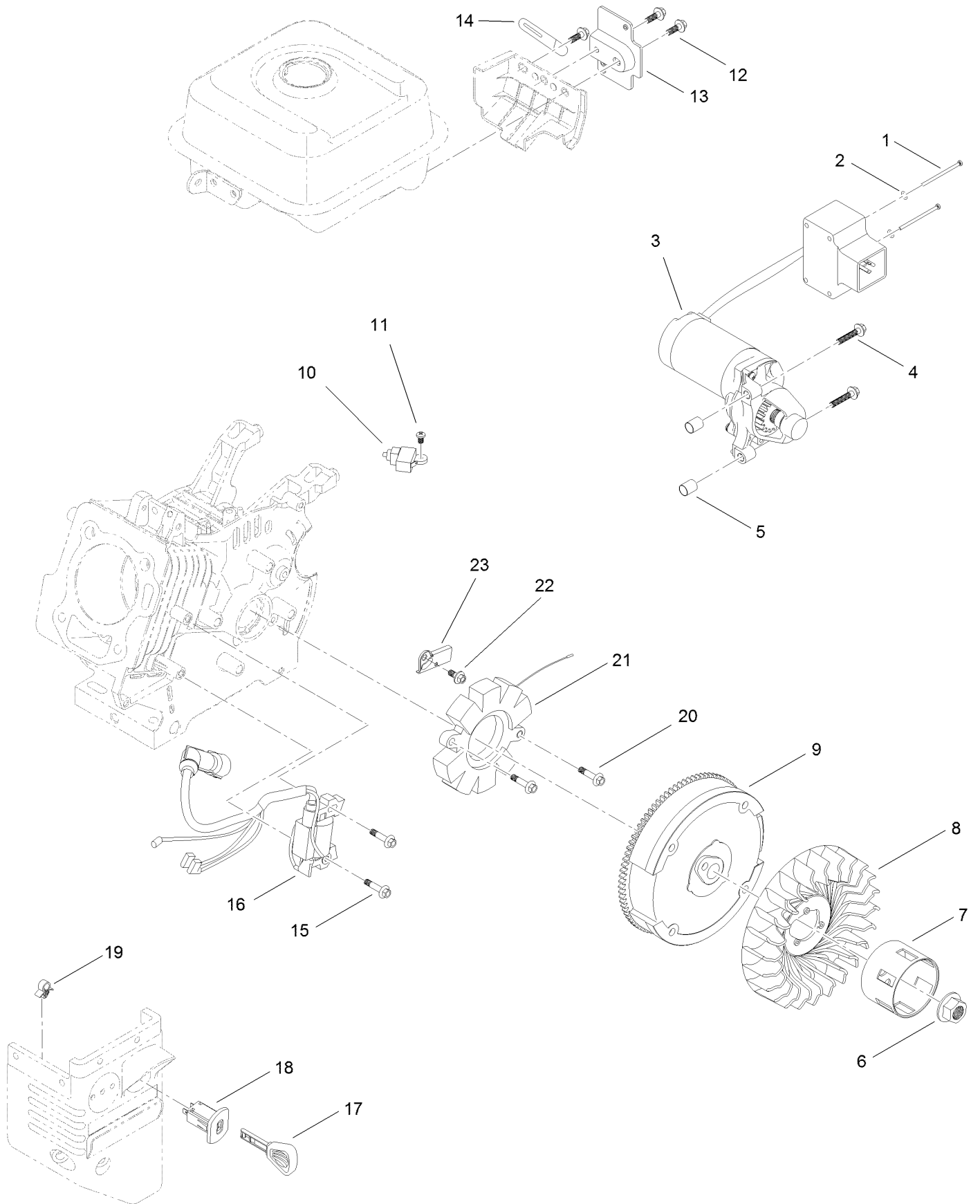
Intake and Exhaust Assembly



Intake and Exhaust Assembly (continued)

<i>Ref.</i>	<i>Part Number</i>	<i>Qty.</i>	<i>Description</i>	<i>Ref.</i>	<i>Part Number</i>	<i>Qty.</i>	<i>Description</i>
1	121-0294	6	Screw-HHF	6	121-0464	2	Stud-Exhaust
2	127-9491	1	Muffler Cover ASM	7	121-4112	2	Stud-Intake
3	121-0199	2	Nut-HH	8	127-9112	1	Box-Heater
4	127-9490	1	Muffler ASM	9	121-0308	2	Nut-Flange
5	133-1539	1	Gasket-Exhaust				

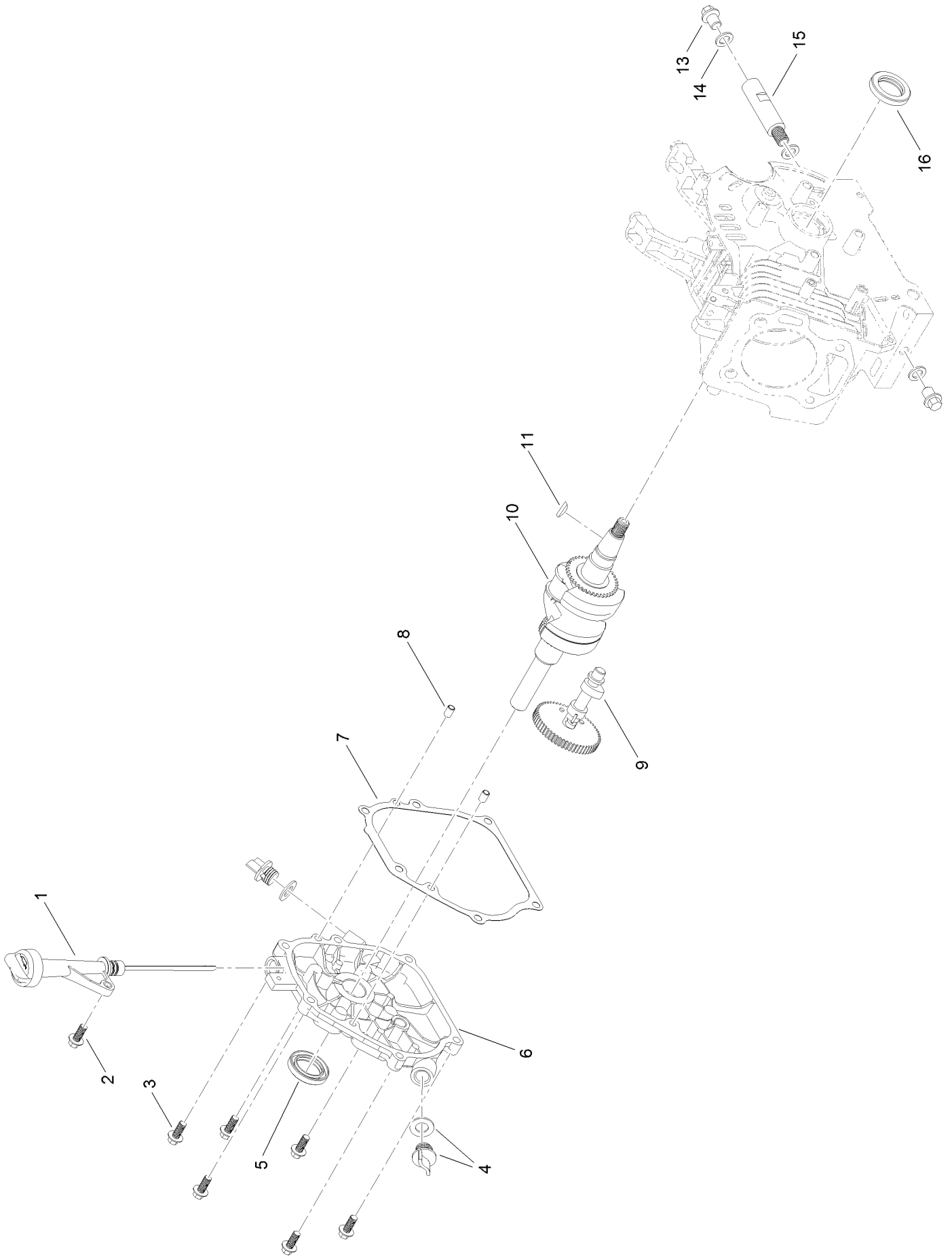
Ignition and Electrical Assembly



Ignition and Electrical Assembly (continued)

<i>Ref.</i>	<i>Part Number</i>	<i>Qty.</i>	<i>Description</i>	<i>Ref.</i>	<i>Part Number</i>	<i>Qty.</i>	<i>Description</i>
1	121-0306	2	Screw-Bhp	12	127-9123	3	Screw-HHF
2	121-0312	2	Washer-Plain	13	133-1554	1	Bracket-Switchbox, Starter
3	133-1547	1	Motor-Starter	14	121-0017	1	Clip-Harness, Wire
4	133-1546	2	Screw-Flange	15	121-0097	2	Screw-HHF
5	121-0055	2	Pin-Dowel	16	127-9105	1	Ignition Coil ASM
6	121-0047	1	Nut-Flange	17	117-7728	1	Key
7	133-1527	1	Cup-Starter	18	121-0283	1	Switch-Key
8	133-1526	1	Fan-Cooling	19	121-0326	1	Clip
9	133-1525	1	Flywheel And Ring Gear ASM	20	121-0196	2	Screw-HHF
10	121-0284	1	Switch-Kill, Engine	21	127-9485	1	Alternator
11	120-4461	1	Screw-PPH	22	121-0116	1	Screw-HHF
				23	127-9486	1	Clamp-Wire, Charge

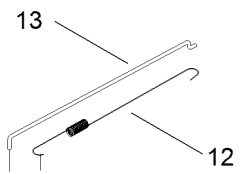
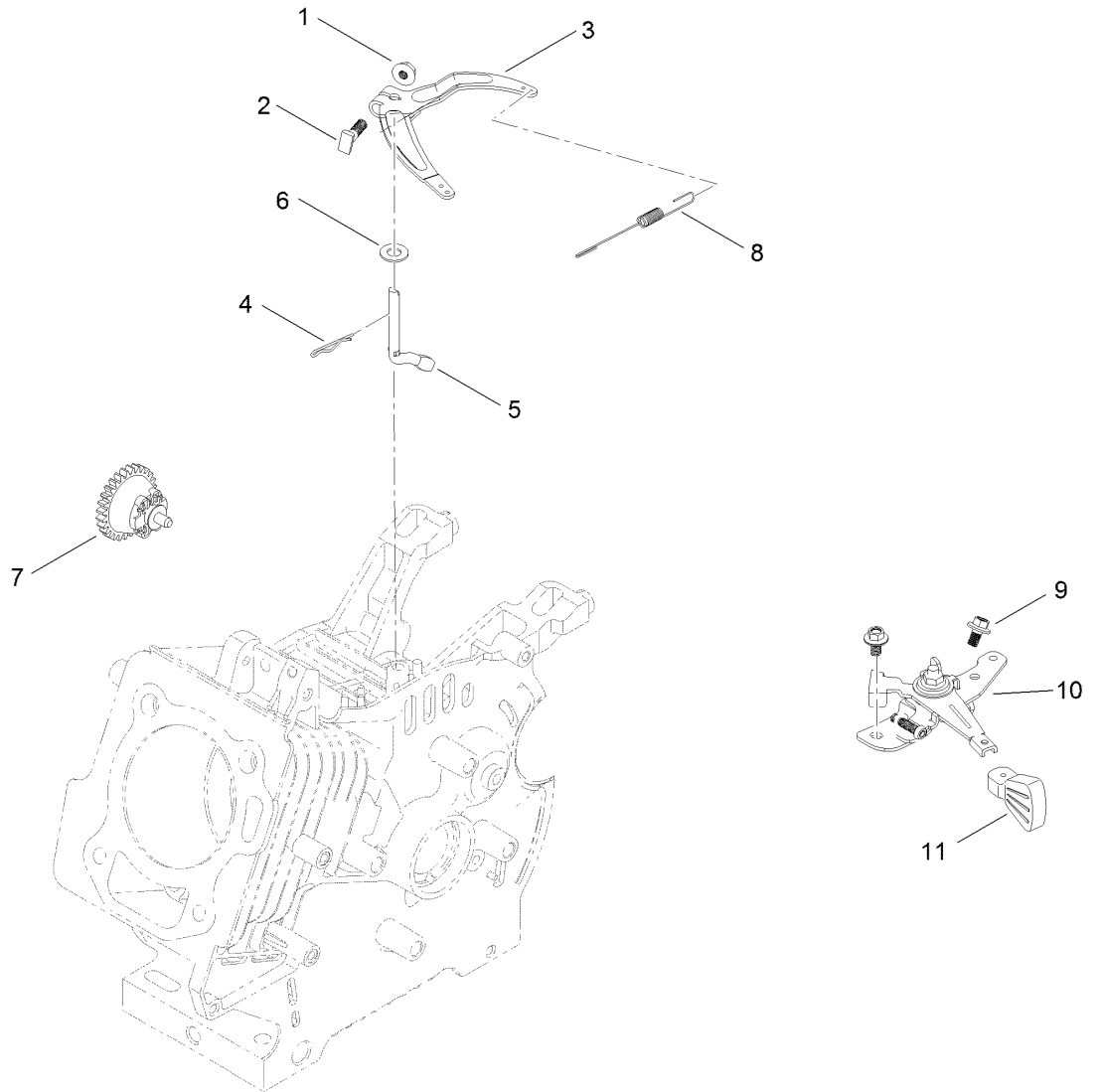
Crankcase Assembly



Crankcase Assembly (continued)

<i>Ref.</i>	<i>Part Number</i>	<i>Qty.</i>	<i>Description</i>	<i>Ref.</i>	<i>Part Number</i>	<i>Qty.</i>	<i>Description</i>
1	133-1519	1	Oil Fill ASM	9	127-9494	1	Camshaft ASM
2	127-9123	1	Screw-HHF	10	127-9495	1	Crankshaft
3	121-4114	6	Screw-HHF	11	120-4320	1	Key-Woodruff
4	127-9099	2	Oil Cap ASM	13	121-0030	2	Screw-HHF
5	133-1516	1	Seal-Oil	14	121-0048	3	Washer-Plain
6	133-1552	1	Cover-Crankcase	15	127-9104	1	Tube-Drain, Oil
7	127-9493	1	Gasket-Cover, Crankcase	16	121-0208	1	Seal-Oil
8	121-0054	2	Pin-Dowel				

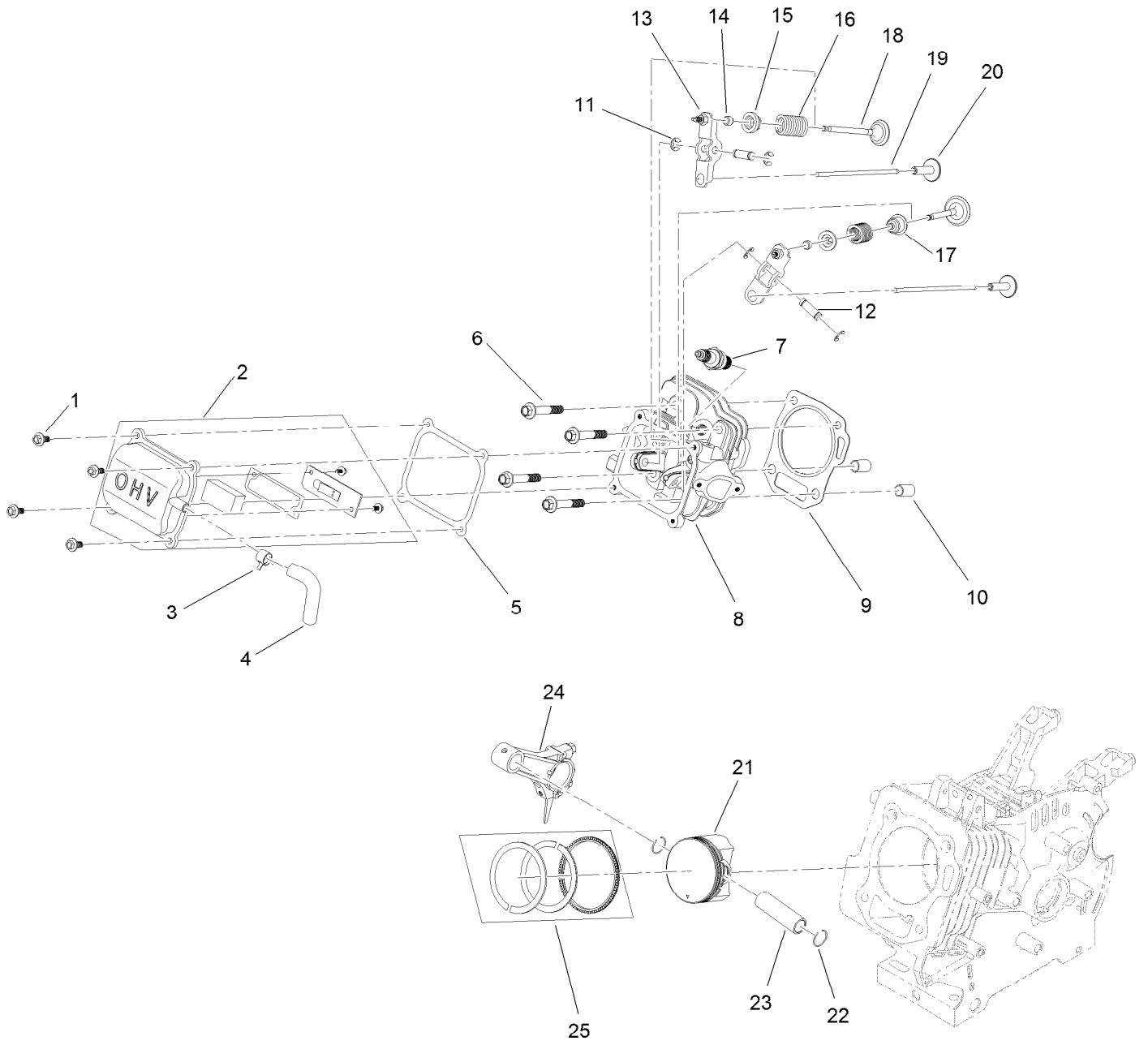
Governor Assembly



Governor Assembly (continued)

<i>Ref.</i>	<i>Part Number</i>	<i>Qty.</i>	<i>Description</i>	<i>Ref.</i>	<i>Part Number</i>	<i>Qty.</i>	<i>Description</i>
1	120-4236	1	Nut-Flange	8	127-9483	1	Spring-Governor
2	120-4238	1	Bolt-Arm, Governor	9	121-0116	2	Screw-HHF
3	127-9482	1	Arm-Governor	10	133-1555	1	Throttle Control ASM
4	120-4256	1	Pin-Hair	11	121-0269	1	Knob-Control, Throttle
5	133-1523	1	Shaft-Governor	12	133-1536	1	Spring-Return, Throttle
6	121-0498	1	Washer-Plain	13	127-9488	1	Rod-Governor
7	127-9101	1	Governor Gear ASM				

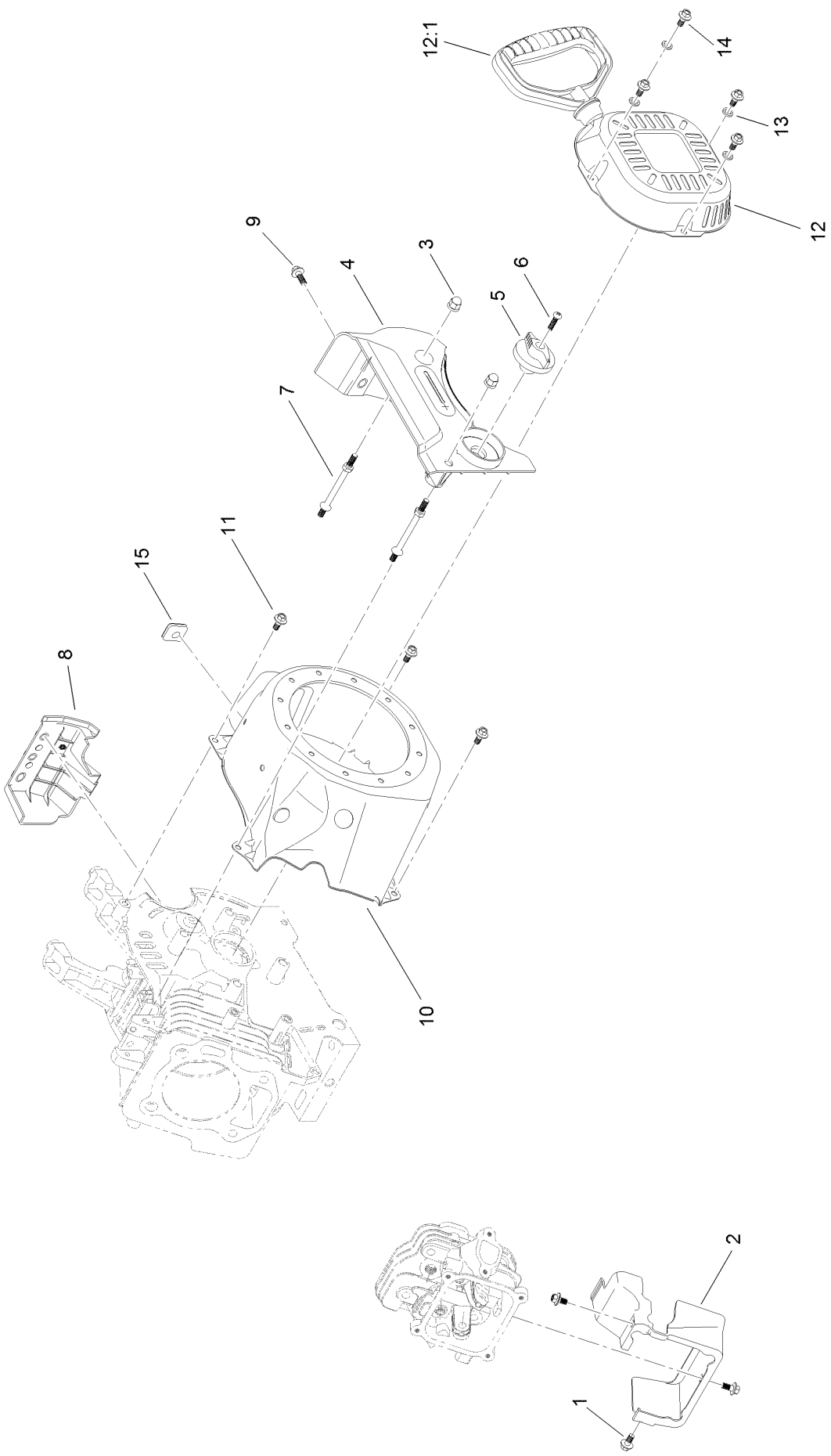
Piston and Head Assembly



Piston and Head Assembly (continued)

<i>Ref.</i>	<i>Part Number</i>	<i>Qty.</i>	<i>Description</i>	<i>Ref.</i>	<i>Part Number</i>	<i>Qty.</i>	<i>Description</i>
1	120-4454	4	Screw-HHF	14	121-4116	2	Rotator-Valve
2	133-1500	1	Valve Cover ASM	15	121-4117	2	Retainer-Spring, Valve
3	133-1558	1	Clamp-Hose	16	127-9014	2	Spring-Valve
4	133-1502	1	Tube-Breather	17	121-4202	1	Seal-Stem, Valve
5	133-1507	1	Gasket-Cover, Valve	18	133-1515	1	Set-Valve
6	133-1508	4	Screw-Flange	19	133-1514	2	Rod-Push
7	81-3250	1	Spark Plug	20	127-9015	2	Tappet-Valve
8	133-1509	1	Head-Cylinder	21	133-1522	1	Piston
9	133-1510	1	Gasket-Head	22	121-0313	2	Clip-Pin, Piston
10	120-4200	2	Pin-Dowel	23	121-4128	1	Pin-Piston
11	133-1511	4	E-Clip	24	121-4123	1	Connecting Rod ASM
12	133-1512	2	Pin-Arm, Rocker	25	133-1521	1	Set-Ring, Piston
13	133-1513	2	Rocker Arm ASM				

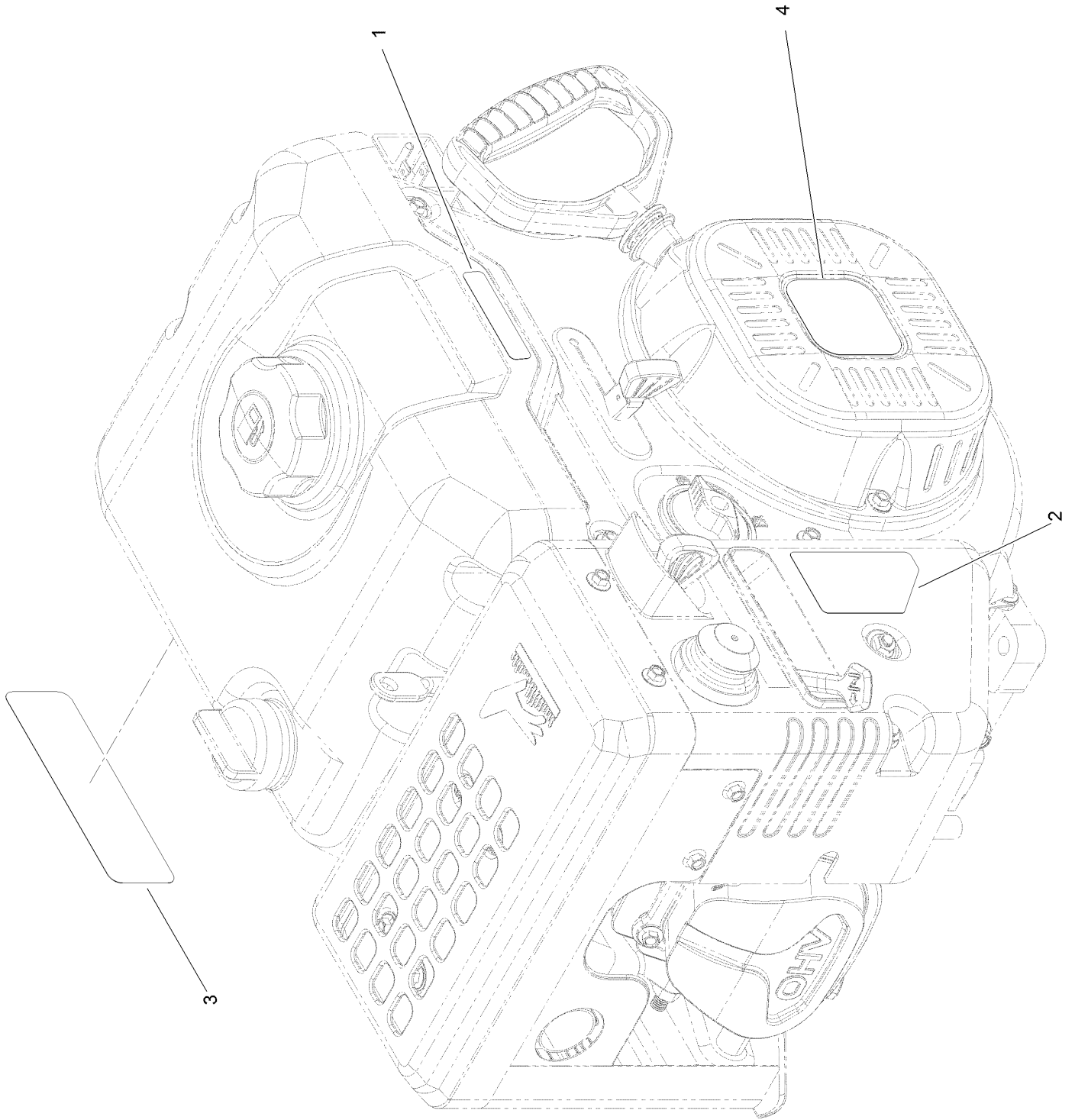
Blower Housing and Shrouds Assembly



Blower Housing and Shrouds Assembly (continued)

<i>Ref.</i>	<i>Part Number</i>	<i>Qty.</i>	<i>Description</i>	<i>Ref.</i>	<i>Part Number</i>	<i>Qty.</i>	<i>Description</i>
1	121-0116	3	Screw-HHF	9	127-9123	1	Screw-HHF
2	133-1530	1	Shroud-Head	10	133-1528	1	Shroud-Flywheel
3	127-9383	2	Nut-Acorn	11	121-0294	3	Screw-HHF
4	133-1557	1	Panel-Control, Front	12	127-9487	1	Recoil ASM
5	121-0268	1	Knob-Valve, Fuel	12:1	121-0287	1	Handle-Recoil
6	121-0305	1	Screw-Bhp	13	127-9380	4	Washer-Plain
7	127-9110	2	Stud-Mount	14	127-9031	4	Screw-HHF
8	133-1543	1	Panel-Side, Engine	15	133-1548	1	Grommet-Rubber

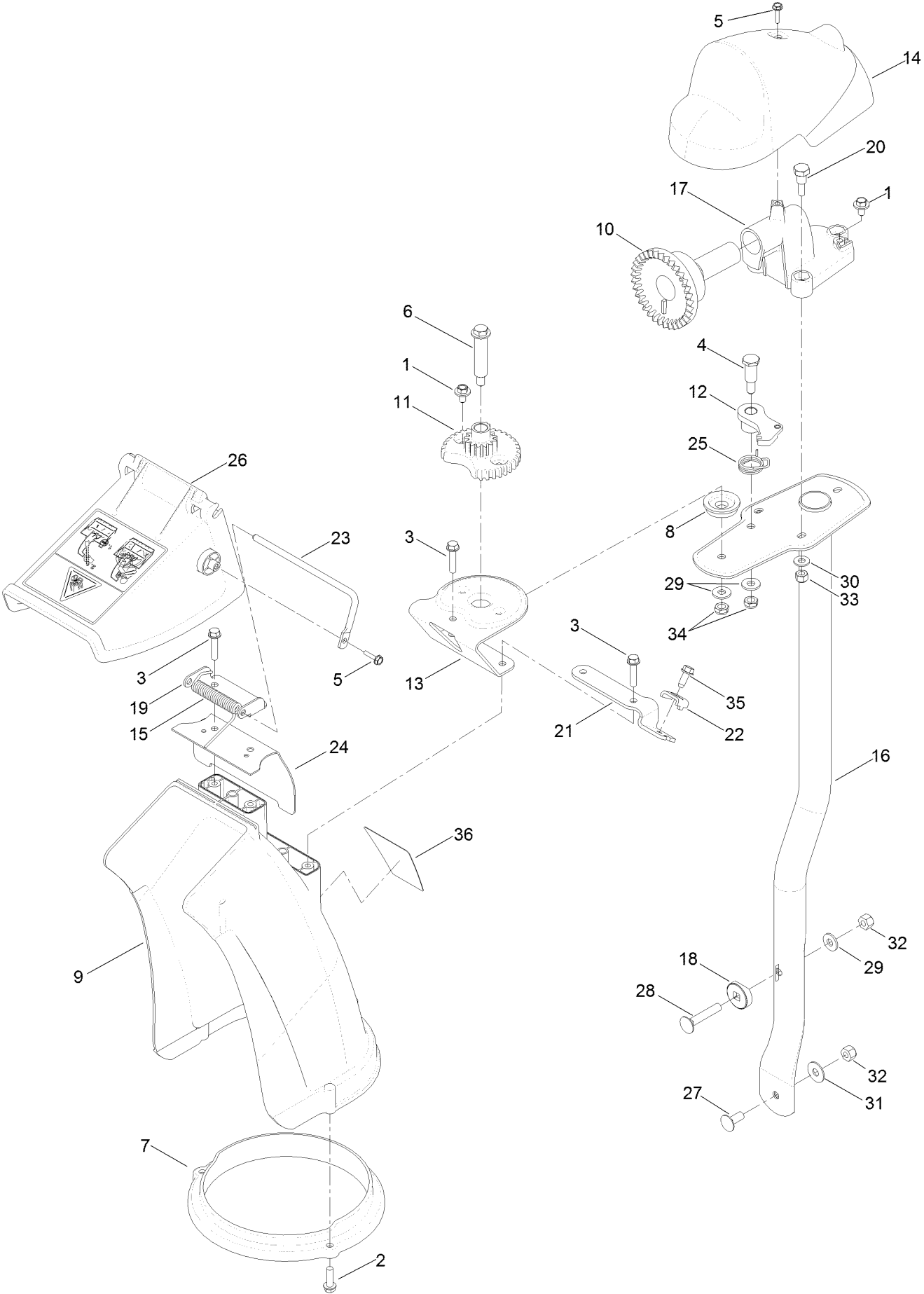
Engine Decal Assembly



Engine Decal Assembly (continued)

<i>Ref.</i>	<i>Part Number</i>	<i>Qty.</i>	<i>Description</i>	<i>Ref.</i>	<i>Part Number</i>	<i>Qty.</i>	<i>Description</i>
1	131-6487	1	Decal-Throttle	3	131-5911	1	Decal-Engine Series, G250
2	120-9805	1	Decal-Control, Engine	4	131-5912	1	Decal-Recoil, G250

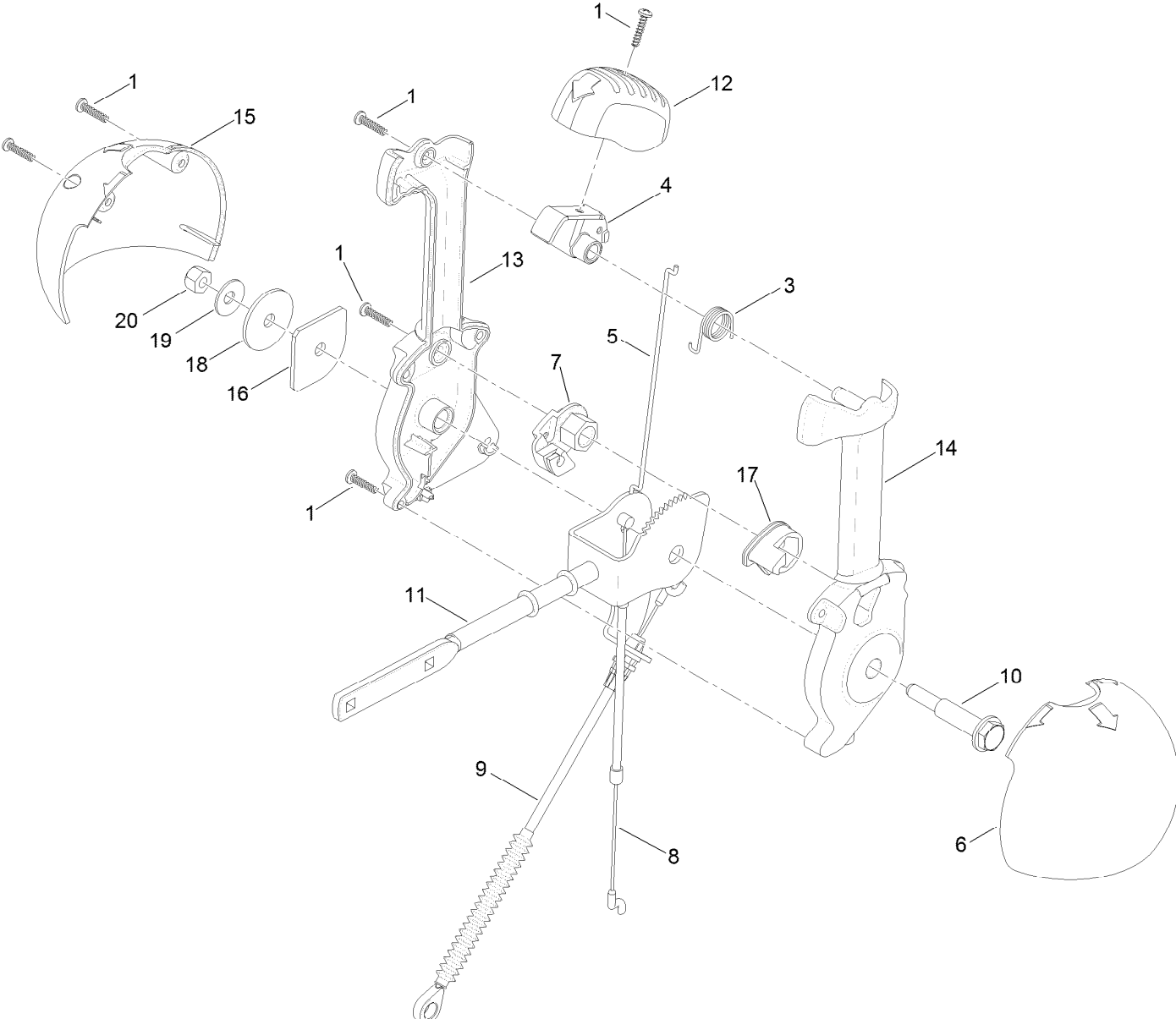
Chute Assembly



Chute Assembly (continued)

<i>Ref.</i>	<i>Part Number</i>	<i>Qty.</i>	<i>Description</i>	<i>Ref.</i>	<i>Part Number</i>	<i>Qty.</i>	<i>Description</i>
1	46-6810	3	Screw And Washer ASM	19	106-7266	1	Bracket-Deflector
2	46-8091	3	Screw-HWH	20	106-7276	3	Screw-Shoulder
3	46-8092	5	Screw-Plastite	21	106-7296	1	Bracket-Cable, Clamp
4	63-2650	1	Screw-Shoulder	22	106-7297	1	Clamp-Cable
5	98-1375	2	Screw-HWH	23	107-1021	1	Rod-Deflector
6	100-9880	1	Bolt-Shoulder	24	108-5052	1	Seal-Chute
7	105-9991	1	Ring-Chute	25	108-7315	1	Spring-Torsion
8	106-4422	1	Spacer-Chute	26	112-6629	1	Deflector-Chute, CE
9	106-4440	1	Chute-Discharge	27	3230-23	1	Screw-CARR
10	106-4471	1	Gear-Face	28	3230-5	1	Screw-CARR
11	106-4472	1	Gear-Chute	29	3256-2	3	Washer-Flat
12	106-4476	1	Latch-Chute	30	3256-22	3	Washer-Flat
13	106-4582-03	1	Bracket-Support, Chute	31	3290-456	1	Washer-Belleville
14	106-4585	1	Cover-Gear, Chute	32	3296-29	2	Nut-Lock, NI
15	106-4594	1	Spring-Torsion	33	3296-42	3	Nut-Lock, NI
16	106-7253-03	1	Tube-Support	34	3296-47	2	Nut-Lock, NI
17	106-7257	1	Mount-Gear, Face	35	32144-10	1	Screw-HWH
18	106-7260	1	Washer-Curved	36	125-1121	1	Decal-Guarantee

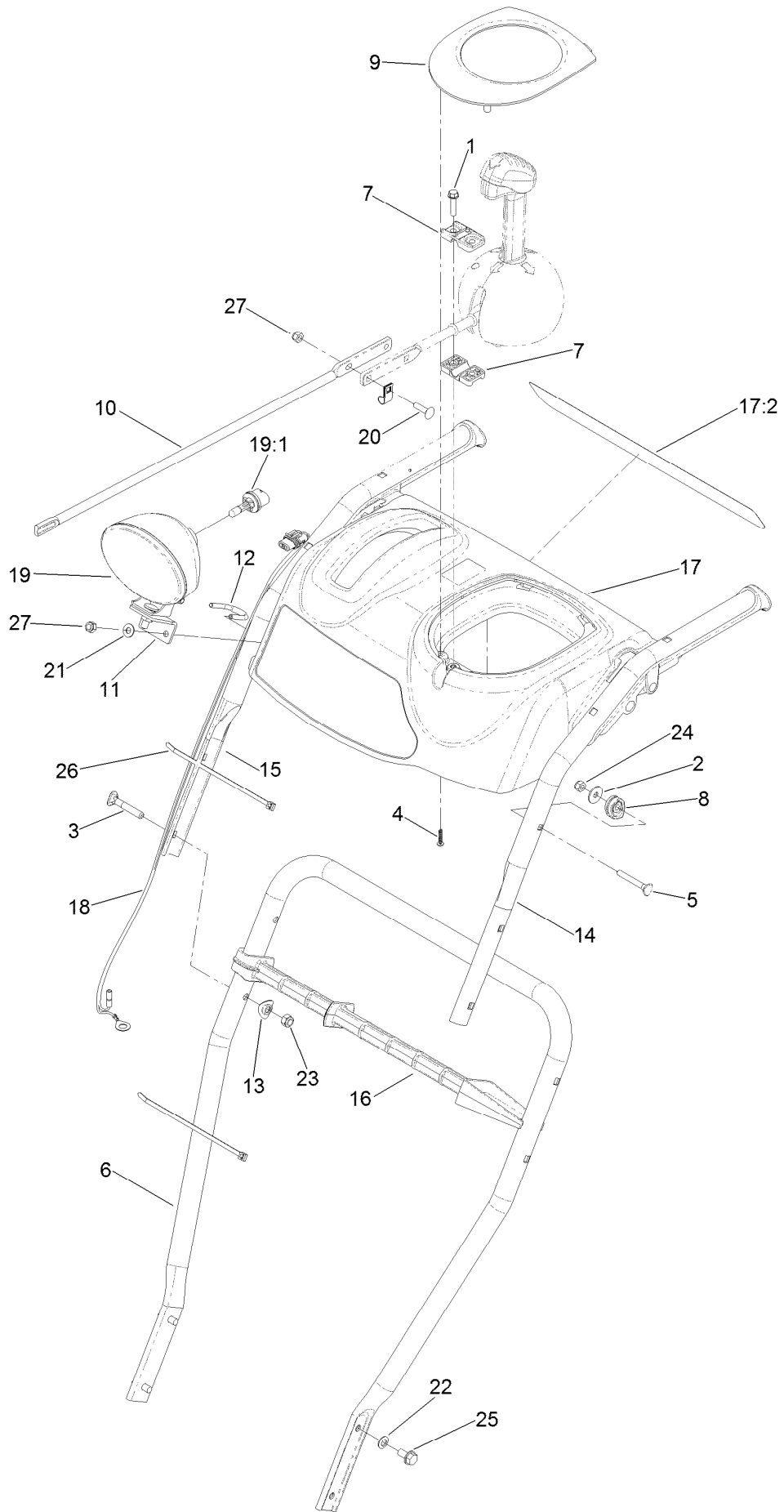
Lever Chute Control Assembly



Lever Chute Control Assembly (continued)

<i>Ref.</i>	<i>Part Number</i>	<i>Qty.</i>	<i>Description</i>	<i>Ref.</i>	<i>Part Number</i>	<i>Qty.</i>	<i>Description</i>
1	94-4496	6	Screw-PPH	12	106-7280	1	Cap-Lever
3	105-9982	1	Spring-Torsion	13	106-7281	1	Lever-Control, Chute (RH)
4	105-9984	1	Trigger-Latch	14	106-7282	1	Lever-Control, Chute (LH)
5	105-9985	1	Link-Latch	15	106-7292	1	Cover-Lever, Chute (RH)
6	105-9986	1	Cover-Lever, Chute (LH)	16	106-7295	1	Plate-Friction
7	105-9988	1	Lever-Cable, Deflector	17	106-7310	1	Pawl-Latch
8	125-1113	1	Cable-Release, Chute	18	107-3002	1	Washer-Nylon
9	105-9990	1	Cable-Control, Deflector	19	3290-456	1	Washer-Belleville
10	105-9995	1	Screw-Shoulder	20	3296-29	1	Nut-Lock, NI
11	106-4479	1	Rod-Control, Chute				

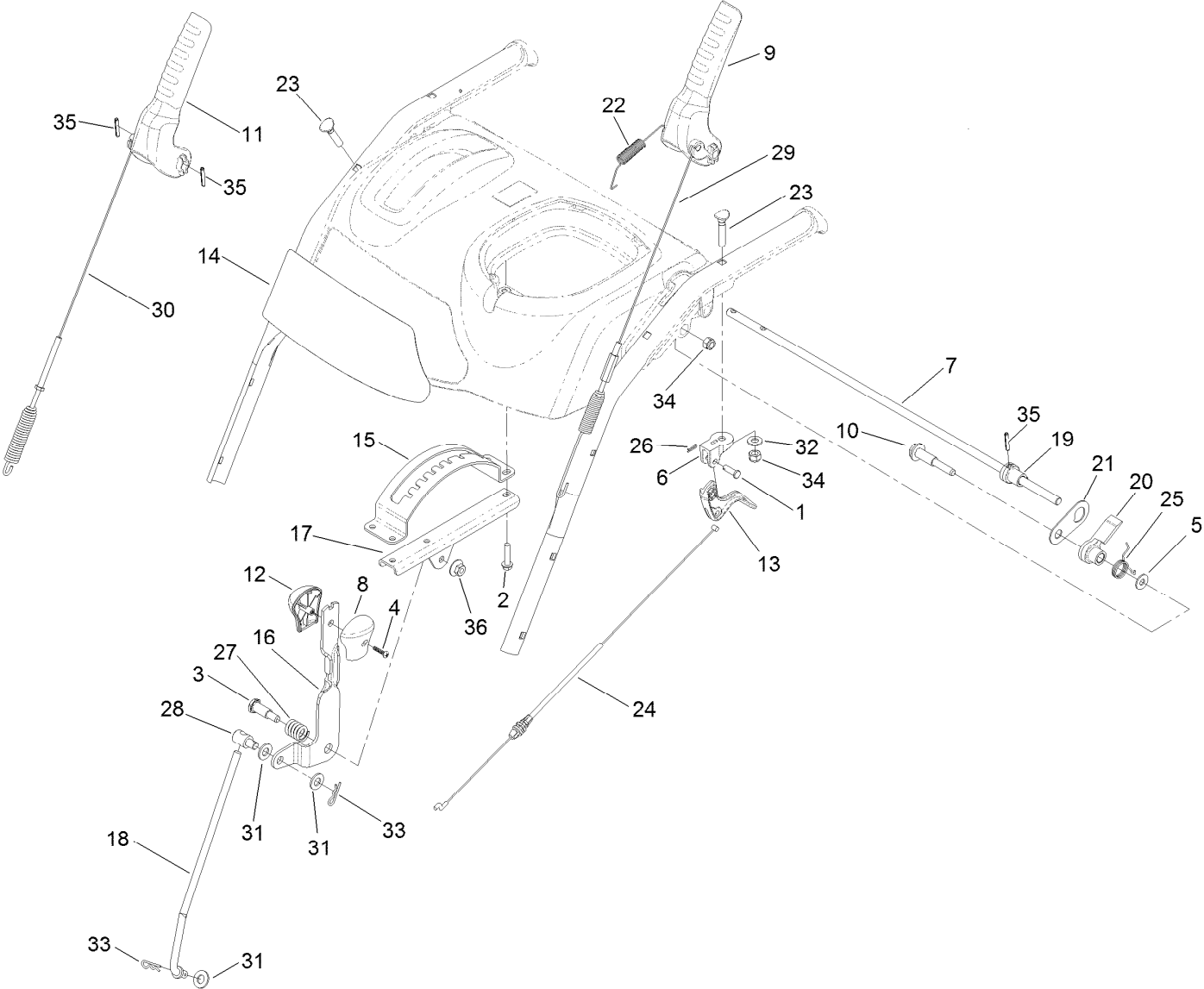
Handle Assembly



Handle Assembly (continued)

<i>Ref.</i>	<i>Part Number</i>	<i>Qty.</i>	<i>Description</i>	<i>Ref.</i>	<i>Part Number</i>	<i>Qty.</i>	<i>Description</i>
1	46-8092	2	Screw-Plastite	16	110-3408	1	Stick-Cleanout
2	87-6630	2	Washer-Plain	17	112-6633	1	Panel-Control
3	92-2260	4	Screw-Handle	17:2	112-6627	1	Decal-Warning
4	94-4496	2	Screw-PPH	18	120-3062	1	Harness-Wire, Headlight
5	95-4453	2	Screw	19	120-3074	1	Headlamp ASM
6	105-9981-03	1	Handle-Lower	19:1	120-3075	1	Lamp-12 Volt
7	105-9987	2	Support-Rod	20	3229-30	2	Screw-CARR
8	106-4509	2	Clamp-Cable	21	3256-1	2	Washer-Flat
9	106-4586	1	Cover-Panel, Control	22	3290-475	4	Washer-Belleville
10	106-7283	1	Rod-Chute, Front	23	3296-72	4	Nut-Lock, NI
11	107-1020-03	1	Bracket-Light	24	3296-73	2	Nut-Lock, NI
12	107-3024	1	Clamp	25	32144-14	4	Screw-HWHTF
13	107-3844	4	Washer	26	614249	2	Tie-Cable
14	127-5952-03	1	Handle-Upper, LH	27	3296-73	4	Nut-Lock, NI
15	127-5953-03	1	Handle-Upper, RH				

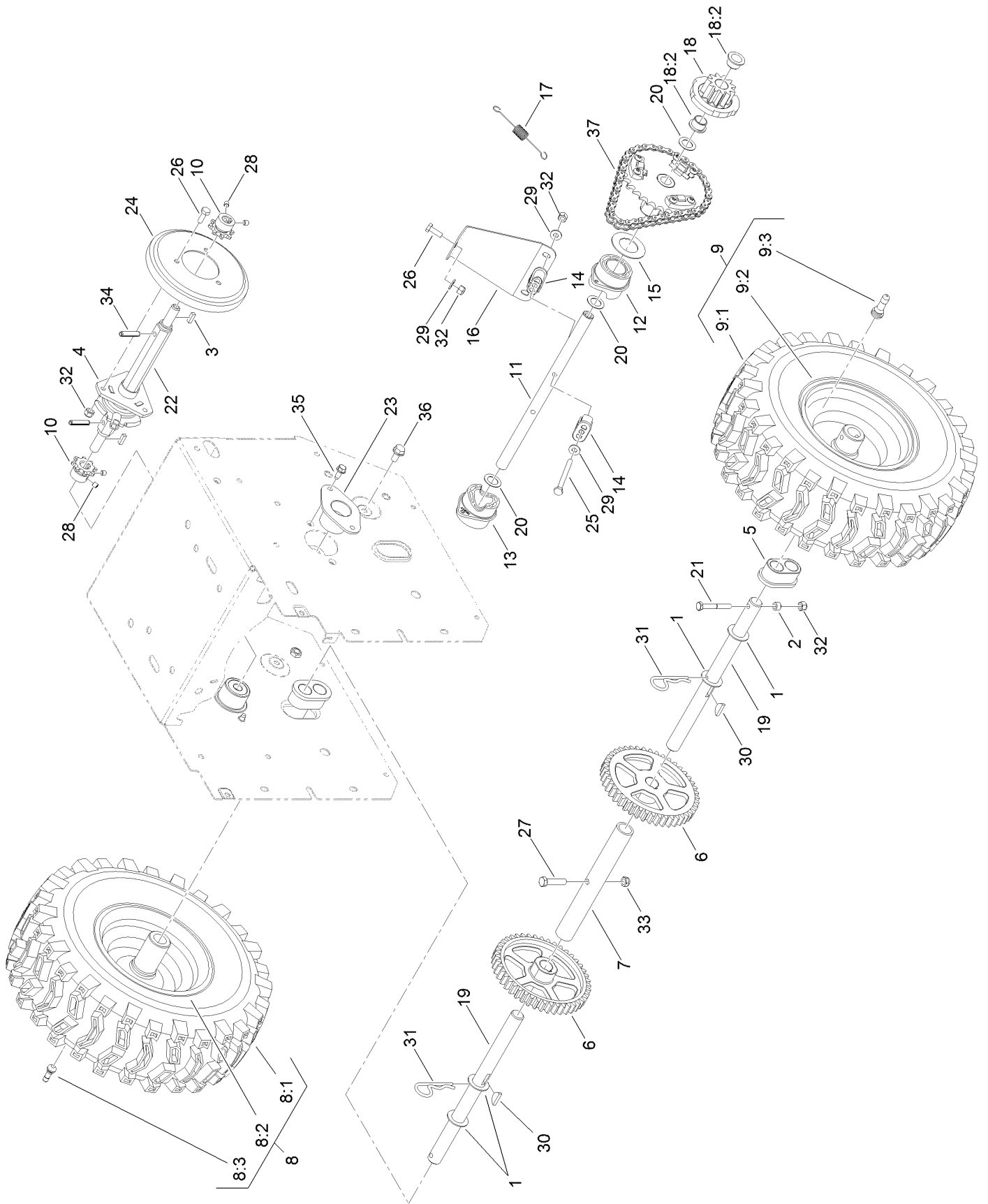
Control Assembly



Control Assembly (continued)

<i>Ref.</i>	<i>Part Number</i>	<i>Qty.</i>	<i>Description</i>	<i>Ref.</i>	<i>Part Number</i>	<i>Qty.</i>	<i>Description</i>
1	1-808265	2	Pin-Clevis	19	107-1043	1	Cam-Lockout
2	46-8092	4	Screw-Plastite	20	108-0023	1	Latch-Lockout
3	63-2650	1	Screw-Shoulder	21	107-3000	1	Link-Lockout
4	94-4496	1	Screw-PPH	22	107-3001	1	Spring-Tension
5	98-3499	1	Washer-Flat	23	107-3018	4	Screw-Handle
6	105-9980	2	Mount-Clutch, Lever	24	107-8896	2	Cable-Clutch
7	105-9996	1	Rod-Lockout	25	108-0024	1	Spring-Torsion
8	105-9999	1	Knob-Shift, LH	26	108-2992	2	Pin-Hair
9	106-4410	1	Lever-Traction	27	108-7313	1	Spring-Compression
10	106-4412	1	Screw-Shoulder	28	110-3446	1	Trunnion-Rod
11	106-4413	1	Lever-Auger	29	120-0132	1	Cable-Traction
12	106-4423	1	Knob-Shift, RH	30	120-3086	1	Cable-Auger
13	106-4505	2	Lever-Clutch	31	3256-24	3	Washer-Flat
14	130-9780	1	Decal-Control Panel	32	3256-70	4	Washer-Flat
15	106-7277-03	1	Guide-Selector, Speed	33	3290-307	2	Pin-Cotter
16	106-7278-03	1	Selector-Speed	34	3296-72	5	Nut-Lock, NI
17	130-9775-03	1	Bracket-Selector, Speed	35	32121-125	3	Pin-Spring
18	107-1005	1	Rod-Shift	36	32128-13	1	Nut-HF

Wheel Clutch Assembly

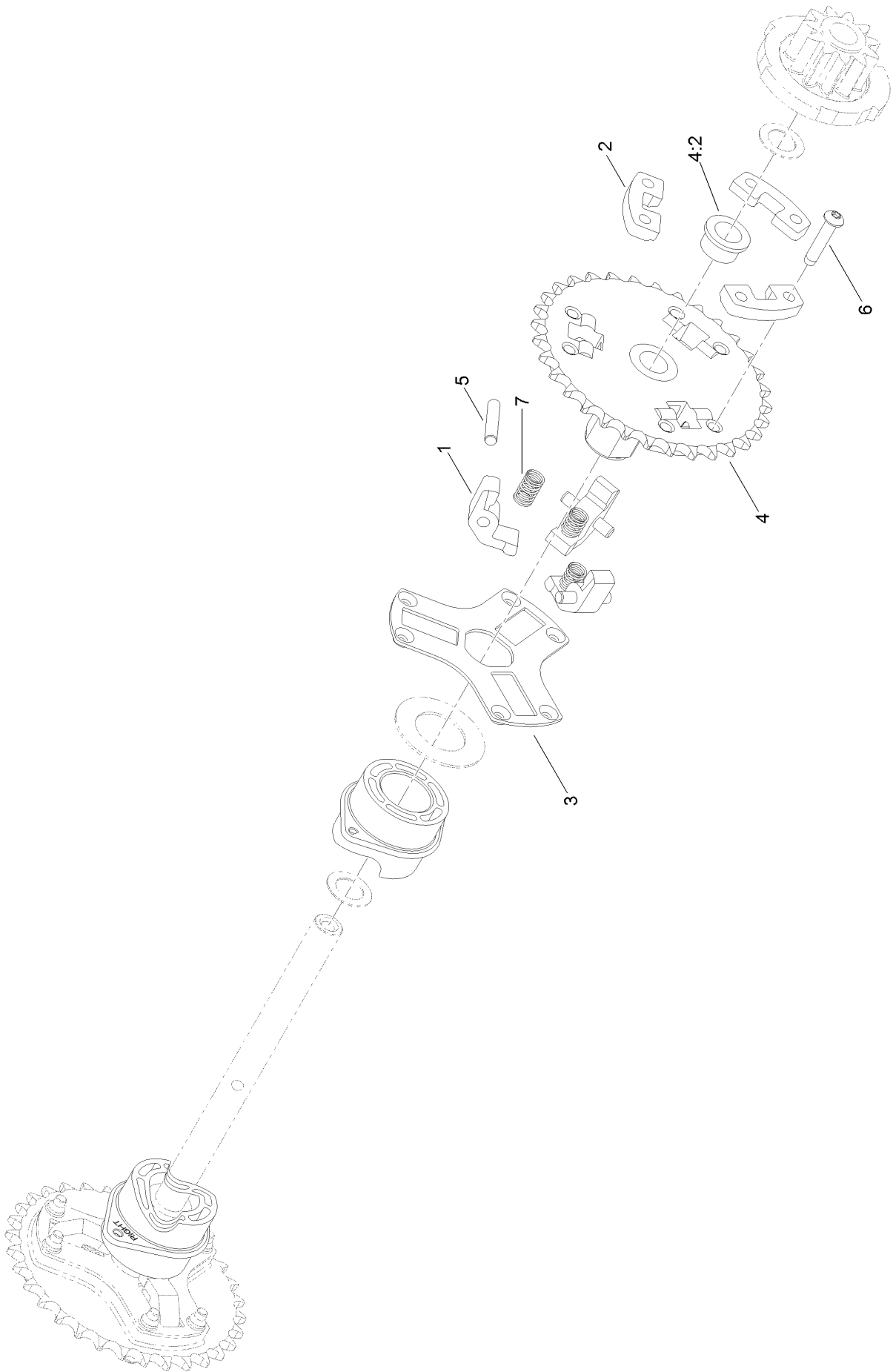


Wheel Clutch Assembly (continued)

<i>Ref.</i>	<i>Part Number</i>	<i>Qty.</i>	<i>Description</i>	<i>Ref.</i>	<i>Part Number</i>	<i>Qty.</i>	<i>Description</i>
1	3-8664	4	Washer-Thrust	18	107-8894	2	11T Gear ASM
2	55-9370	2	Spacer-Blade, Rotor	18:2	108-2973	2	Bushing-Flange
3	94-8850	2	Key-Square	19	107-8898	2	Shaft-Axle
4	106-4434	1	Trunnion-Hex	20	108-0015	4	Washer-Flat
5	106-4558	2	Bearing-Axle	21	108-2975	2	Screw-HH
6	106-4572	2	Gear-Axle, 44 Tooth	22	108-7314	1	Shaft-Hex
7	106-7259	1	Tube-Axle	23	108-7319	2	Retainer-Bearing
8		1	RH Wheel And Tire ASM ●	24	119-1567	1	Wheel-Friction
8:1	121-6610	1	Rim-Tire	25	321-23	2	Screw-HH
8:2	121-6611	1	Tire	26	321-4	4	Screw-HH
8:3	232-27	1	Stem-Valve	27	322-17	1	Screw-HH
9		1	LH Wheel And Tire ASM ●	28	3245-32	4	Screw-HSH
9:1	121-6610	1	Rim-Tire	29	3256-22	5	Washer-Flat
9:2	121-6611	1	Tire	30	3257-7	2	Key-Woodruff
9:3	232-27	1	Stem-Valve	31	3290-343	2	Pin-Hair
10	106-7317	2	Sprocket-8 Tooth	32	3296-42	8	Nut-Lock, NI
11	107-8883	1	Shaft-Intermediate	33	3296-47	1	Nut-Lock, NI
12	107-8887	1	Collar-Shift, LH	34	32121-9	2	Pin-Roll, Slotted
13	107-8888	1	Collar-Shift, RH	35	32144-10	4	Screw-HWH
14	107-8889	4	Guide-Collar	36	32144-14	2	Screw-HWHTF
15	107-8891	2	Washer-Thrust	37	108-0016	2	Chain-Roller
16	107-8892-03	1	Brace-Collar, Shift	37	2710-6	2	Link-Connecting
17	107-8893	2	Spring-Extension				

● Not serviced separately

Wheel Clutch Sprocket Assembly



Wheel Clutch Sprocket Assembly (continued)

<i>Ref.</i>	<i>Part Number</i>	<i>Qty.</i>	<i>Description</i>	<i>Ref.</i>	<i>Part Number</i>	<i>Qty.</i>	<i>Description</i>
1	107-8879	6	Pawl-Clutch	4:2	108-2973	2	Bushing-Flange
2	107-8880	6	Support-Pawl	5	107-8899	6	Pin-Dowel
3	107-8886	2	Retainer-Pin, Pawl	6	108-0035	12	Screw-TTH, Thread Rolling
4	107-8895	2	32T Sprocket ASM	7	107-8885	6	Spring-Compression

Attachments and Accessories

For 38805 Power Max Heavy Duty 826 OXE Snowthrower

Product Name	Model/Part
Weight Kit	107-3815
26in Drift Breaker.....	107-3816
Heavy-Duty Skid Kit.....	125-1104
Snow Cab Kit.....	127-5960
Engine Maintenance Kit.....	138-0702
Non-Marking Skid Kit.....	38211
Tire Chain Kit, for 16in Tires.....	38215
Toro Snow Oil 0W30 Synthetic 20-Ounce Bottle	38913
Toro 2-Stage Cover.....	490-7466
Plain 2-Stage Cover.....	490-7467

Notes:



Count on it.