



Advanced Performance. Total Reliability.

Owner's Manual
Notice d'utilisation
Manual del Propietario
Do not use this equipment before
reading this manual!

CAPSPRAY 55

HVLP Spray System



Model Number:

0524030

NOTE: This manual contains important warnings and instructions. Please read and retain for reference.



Important Safety Information - Read all safety information before operating the equipment. SAVE THESE INSTRUCTIONS.



This symbol indicates a hazardous situation, which, if not avoided could result in death or serious injury.



To reduce the risks of fire or explosion, electrical shock and the injury to persons, read and understand all instructions included in this manual. Be familiar with the controls and proper usage of the equipment.

HAZARD: EXPLOSION HAZARD DUE TO INCOMPATIBLE MATERIALS

Will cause property damage or severe injury.



PREVENTION:

- Do not use materials containing benzene or acetone.
- Do not use hydrogenated hydrocarbon solvents such as benzene, methylene chloride and 1,1,1-trichloroethane. They are not compatible with a urethane.
- Contact your coating supplier about the compatibility of material with a urethane.

HAZARD: GENERAL

Can cause severe injury or property damage.

PREVENTION:

- Read all instructions and safety precautions before operating any equipment.
- Follow all appropriate local, state, and national codes governing ventilation, fire prevention, and operation.
- The United States Government Safety Standards have been adopted under the Occupational Safety and Health Act (OSHA). These standards, particularly Part 1910 of the General Standards and Part 1926 of the Construction Standard should be consulted.
- Use only manufacturer authorized parts. User assumes all risks and liabilities when using parts that do not meet the minimum specifications and safety devices of the manufacturer.
- Before each use, check all hoses for cuts, leaks, abrasion or bulging of cover. Check for damage or movement of couplings. Immediately replace the hose if any of these conditions exist. Never repair a hose. Replace it with an identical replacement hose.
- Do not spray outdoors on windy days.
- Wear clothing to keep paint off skin and hair.
- Never aim the spray gun at any part of the body.

HAZARD: EXPLOSION OR FIRE

Solvent and paint fumes can explode or ignite. Property damage and/or severe injury can occur.



PREVENTION:

- Exhaust and fresh air introduction must be provided to keep the area within the spray area free from accumulation of flammable vapors.
- Turbine contains sparking parts. Turbine must be placed in a well-ventilated area at maximum distance from the spray area.
- Avoid ignition sources such as static electricity, open flames, pilot lights, hot objects, cigarettes, and sparks from connecting and disconnecting power cords and working light switches.
- Use extreme caution when using material with a flashpoint below 70° F (21°C). A fluid's flashpoint is the temperature at which vapors from the fluid could ignite if exposed to a flame or spark.
- Fire extinguishing equipment must be present and in working order.
- The power cord must be connected to a grounded circuit.
- Follow the material and solvent manufacturer's safety precautions and warnings.



HAZARD: HAZARDOUS VAPORS

Paints, solvents, insecticides, and other materials can be harmful if inhaled or come in contact with the body. Vapors can cause severe nausea, fainting, or poisoning.



PREVENTION:

- Use a respirator or mask if vapors can be inhaled. Read all instructions supplied with the mask to be sure to provide the necessary protection.
- Wear protective eyewear.
- Wear protective clothing as required by coating manufacturer.



HAZARD: SKIN BURN INJURY

Heated parts can cause severe skin burn injury.

PREVENTION:

- Quick disconnect fittings on the hose and spray gun become hot during use. Avoid skin contact with quick disconnect fittings when they are hot. Allow quick disconnect fittings to cool before disconnecting the spray gun from the hose.



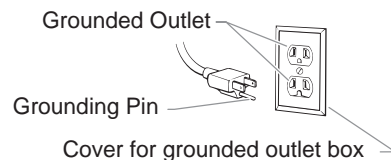
Grounding Instructions

This product must be grounded. In the event of an electrical short circuit, grounding reduces the risk of electrical shock by providing an escape route for the electrical current. This product is equipped with a cord having a grounding wire with an appropriate grounding plug. The plug must be plugged into an outlet that is properly installed and grounded in accordance with all local codes and ordinances.

WARNING - Improper installation of the grounding plug can result in a risk of electric shock.

If repair or replacement of the cord or plug is necessary, do not connect the green grounding wire to either flat blade terminal. The wire with insulation on having a green outer surface with or without yellow stripes is the grounding wire and must be connected to the grounding pin.

Check with a qualified electrician or serviceman if the grounding instructions are not completely understood, or if you are in doubt as to whether the product is properly grounded. Do not modify the plug provided. If the plug will not fit the outlet, have the proper outlet installed by a qualified electrician.



IMPORTANT: Use only a 3-wire extension cord that has a 3-blade grounding plug and a 3-slot receptacle that will accept the plug on the product. Make sure the extension cord is in good condition. When using an extension cord, be sure to use one heavy enough to carry the current the product will draw. An undersized cord will cause a drop in line voltage resulting in loss of power and overheating. A 12 gauge cord is recommended. If an extension cord is to be used outdoors, it must be marked with the suffix W-A after the cord type designation. For example, a designation of SJTW-A would indicate that the cord would be appropriate for outdoor use.

NOTE: More than 100 feet of extension cord is not recommended. Use more paint hose, not more extension cord. Shorter extension cords will assure maximum electrical power for proper operation.

Service

Should your spray system need service during the warranty period, return your unit and the proof of purchase to the distributor where it was purchased. At our option, the unit will be repaired or replaced. In a continued commitment to improve quality, we reserve the right to make component or design changes when necessary.

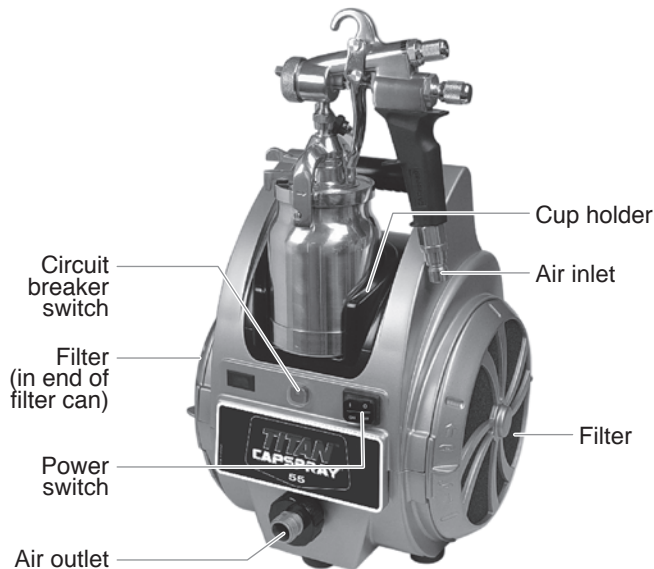
Table of Contents

| | |
|---|-------|
| Safety | 2 |
| Grounding Instructions..... | 2 |
| Service | 2 |
| Introduction | 3 |
| Using an HVLP Spray System | 3 |
| Setup..... | 3 |
| Dual Filtration System..... | 3 |
| Maintenance | 4 |
| Cleaning/Replacing Filters..... | 4 |
| Cleaning the Air Hoses..... | 4 |
| Troubleshooting | 5 |
| Français | 6 |
| Español | 10 |
| Parts List | 14-17 |
| Wiring Diagram | 18 |
| Warranty | 20 |

Introduction

This High Volume/Low Pressure (HVLP) spray system is designed for applying coatings to surfaces that can be sprayed faster than brushing or rolling and are too small for traditional airless sprayers. Components of this system include a power switch, a power cord, a circuit breaker switch, a dual filtration system, a cup holder, an air hose, and an air outlet.

The turbine is also equipped with a tool box. It is located on the reverse side of the turbine and can be used to store projector sets or any other small spare parts.



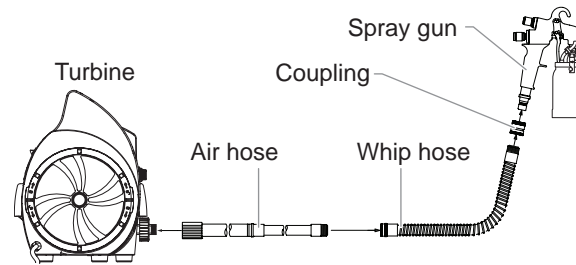
*Air hose not pictured

With this HVLP spray system, you can achieve the highest quality professional finish possible with little or no preparation or setup time. Please review all the information contained in this manual before operating the system.

Using an HVLP Spray System

Refer to the following information to operate and understand your HVLP spray system.

Your system may include a short air (“whip”) hose. The short hose should be connected to the longer hose or a remote spraying system (sold separately) and NOT directly to the turbine. See your spray gun instruction manual for complete instructions.



IMPORTANT: Do not attach the short air whip hose directly to the turbine, as the hose will become damaged.

Setup

Use the following procedure to set up your HVLP spray system for operation.

1. Plug the turbine power cord into a grounded, 3-slot receptacle.

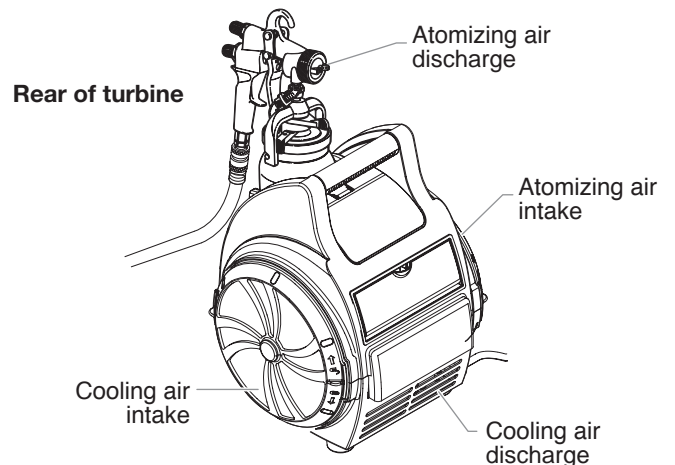


Keep the turbine at the maximum possible distance from the spray area to safeguard against explosion or fire that may be caused by sparking electrical parts.

2. Prepare your spray gun for operation. Refer to your spray gun manual for material preparation, setup, and spraying information.
3. Attach the air hose to the air outlet on the turbine.
4. Attach the air hose to the air inlet on your spray gun.
5. Turn on the turbine and begin spraying.

Dual Filtration System

The turbine has two different air filters— one for atomizing air and one for cooling air. Both of the filters are fine mesh filters designed to trap particles that may damage your finish and/or impede turbine cooling. The atomizing air is discharged through the nozzle of the spray gun where it atomizes the coating material. The cooling air filter is designed to allow the proper amount of air flow through the turbine for cooling purposes. Cooling air is exhausted through the cooling air discharge on the back of the turbine.



IMPORTANT: Clean filters regularly. Clogged filters can cause excessive heat and possibly damage the turbine.

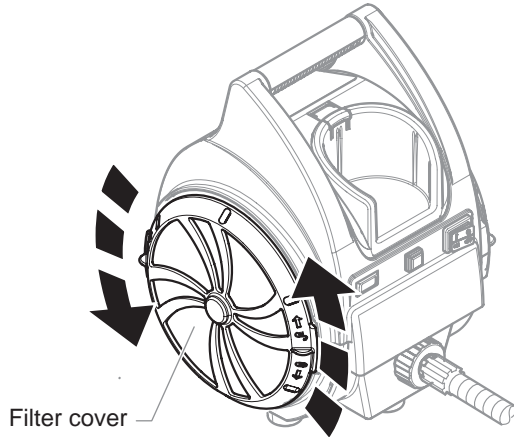
Maintenance

Use the following procedures to keep your HVLP spray system running properly.

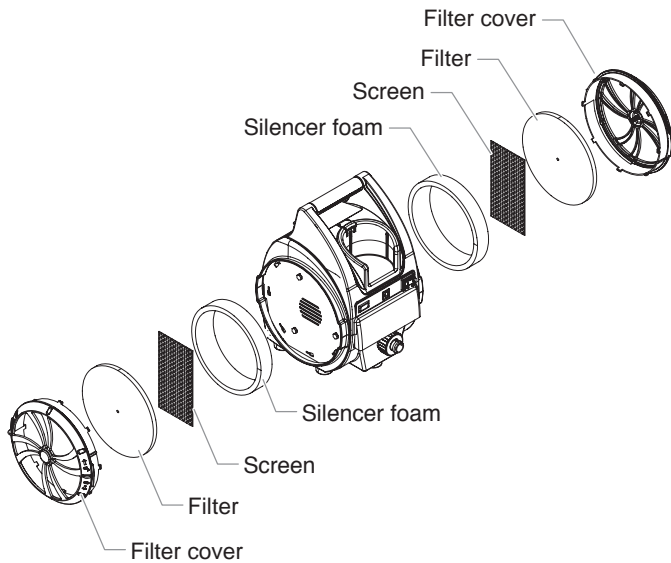
Cleaning / Replacing the Filters

IMPORTANT: Make sure the turbine is unplugged before changing the filters.

1. Remove the filter covers on each side of the turbine by turning them counterclockwise.



2. Remove each filter set from the filter cover on each side of the turbine.



3. Clean the filters. Either tap the filters to knock out the contaminants or use pressurized air to blow out the contaminants. For material that is not blown or knocked loose easily, soak the filters in soapy water or mineral spirits. Allow the filters to dry completely before placing them back in the turbine.

NOTE: Do not use highly flammable solvents, such as lacquer thinner, to clean the filters.

4. Insert each filter back into its corresponding filter can.
5. Replace the filter covers on each side of the turbine by turning them clockwise.

After several cleanings, it may become necessary to replace the filters. Refer to the parts list near the end of this manual for the filter replacement kit part number.

Cleaning the Air Hoses

1. Periodically wipe the outer surface of the air hose with a damp cloth to keep clean.

IMPORTANT: DO NOT submerge into or flush the air hose with water or any chemical.

IMPORTANT: DO NOT use methylethylketon (MEK), naphtha, mineral spirits, paint thinner, xylol/xylene, or toluene/ toluene to clean the air hose. Exposure over time could cause damage to the hose.

IMPORTANT: Store indoors with the cord wrapped around the handle.

Troubleshooting

| Problem | Cause | Solution |
|--|--|--|
| A. Restrict ed a r flow or no a r flow | <ol style="list-style-type: none"> 1. A r flow adjustment knob on the spray gun s turned off 2. A r fi ters are c ogged | <ol style="list-style-type: none"> 1. Adjust the a r flow adjustment knob 2. C ean or rep ace the fi ters |
| B. The turb ne has no power | <ol style="list-style-type: none"> 1. No power at the power supp y 2. C rcu t breaker has been tr pped. 3. Worn turb ne brushes | <ol style="list-style-type: none"> 1. Check the power supp y 2. Reset the breaker. If prob em pers sts, have turb ne nspected at an author zed T tan serv ce center. 3. Have the brushes rep aced at an author zed T tan serv ce center |
| C. Excess ve arc ng/spark ng n the turb ne | <ol style="list-style-type: none"> 1. Worn turb ne brushes 2. Damaged commutator | <ol style="list-style-type: none"> 1. Have the brushes rep aced at an author zed T tan serv ce center 2. Rep ace the turb ne (contact a T tan serv ce techn c an) |

IMPORTANT:

- The turbine motor can be damaged if not serviced properly. Have the brushes (Kit P/N 0277243) checked for wear by an authorized service center every 400 hours.
- Clean filters regularly. Clogged filters can cause excessive heat and possibly damage the unit.
- For additional troubleshooting information, see the manual that came with your gun.

Specifications

Air pressure 5.5 psi
 Power 120VAC, 60 Hz, 9.0 A
 Turbine weight 16.5 lbs
 Main hose length 20 ft
 Spray gun included Maxum II

Patents

These products are covered by one or more of the following U.S. patents:

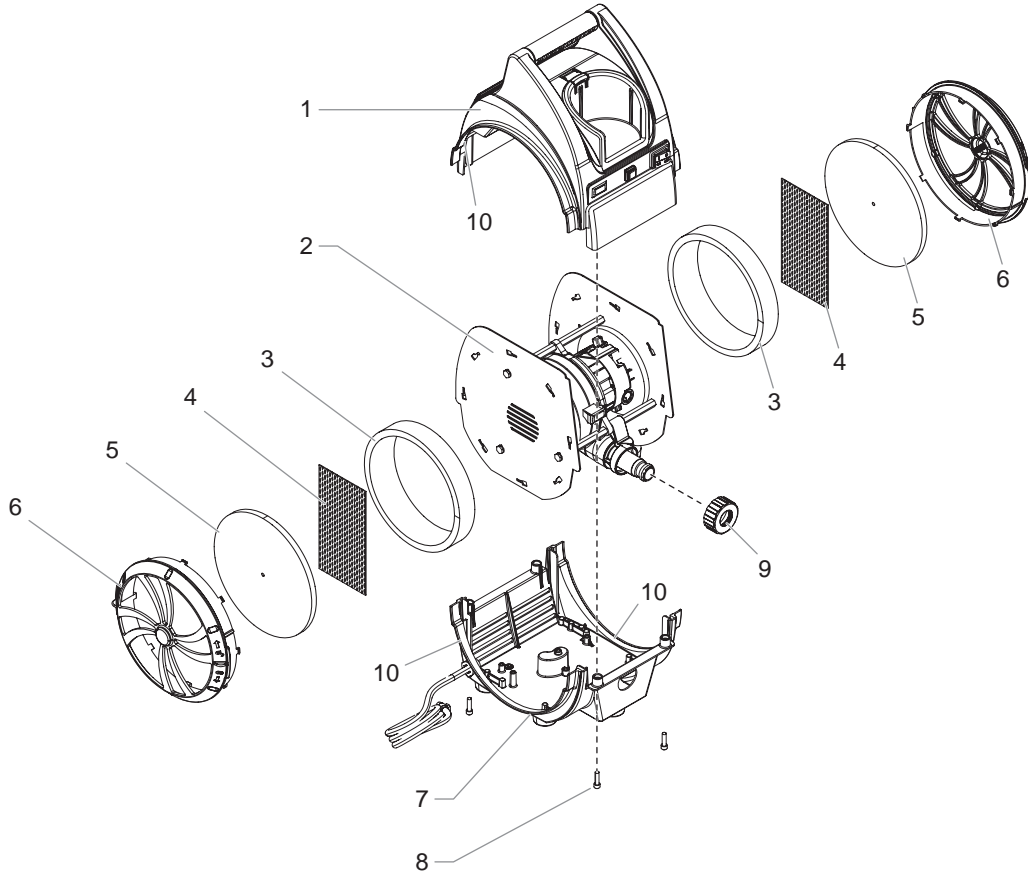
| | | | | | |
|-----------|-----------|-----------|-----------|-----------|-----------|
| 5,423,395 | D322,790 | 5,181,832 | D338,208 | 5,174,610 | 5,550,336 |
| D365,569 | 5,556,255 | 5,639,222 | 5,702,131 | 5,558,492 | 5,573,371 |
| 5,772,711 | | | | | |

Titan 30-Day Satisfaction Guarantee

If, within a 30-day period from the date of purchase, you are not totally satisfied with a TITAN unit, you may return it for full credit toward another TITAN product of equal or greater value.

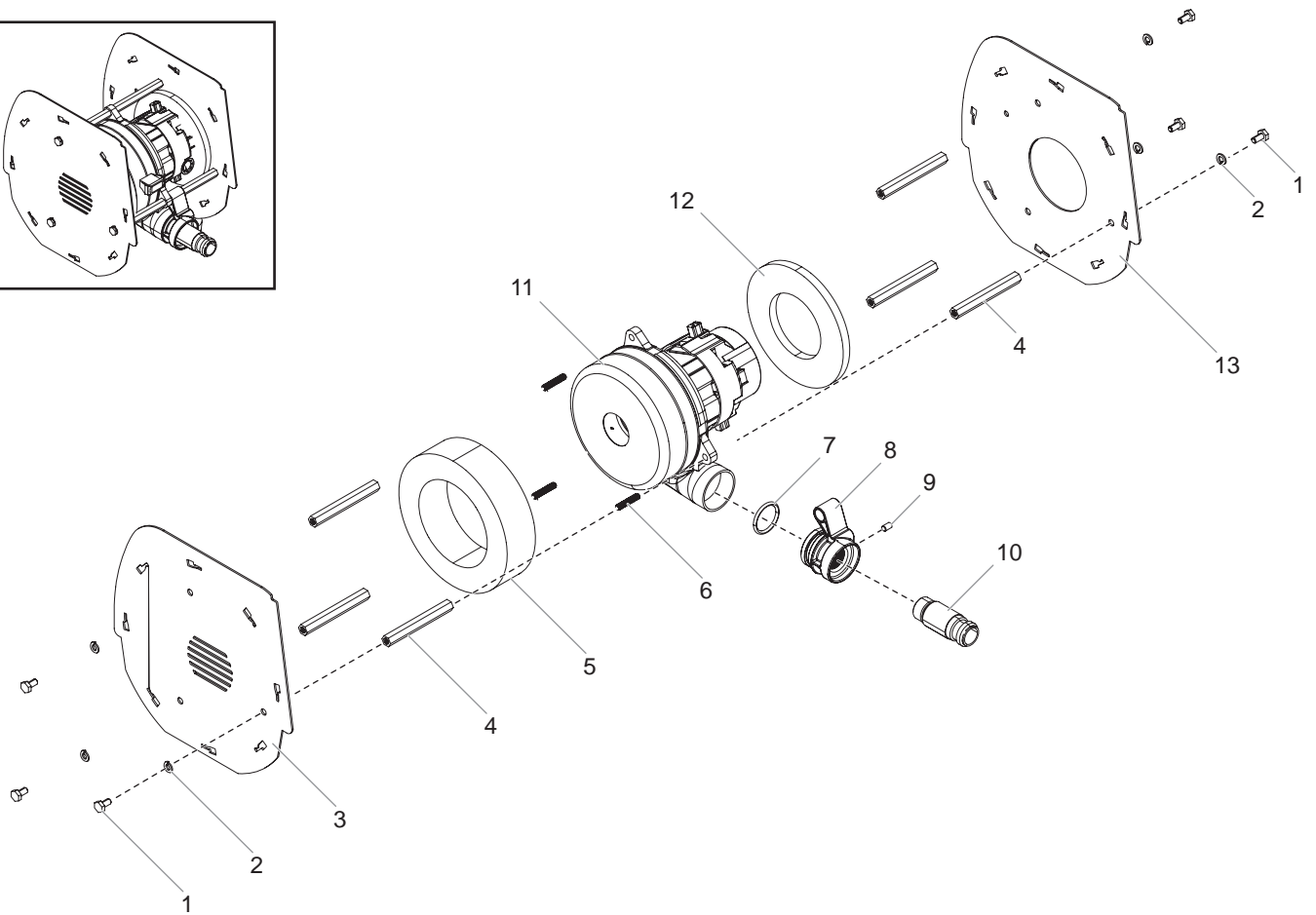
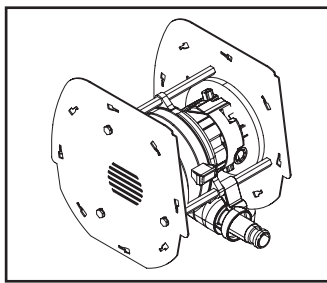
Parts List • Liste de pièces • Lista de piezas

Main Assembly • Vue d'ensemble • Ensamblaje principal



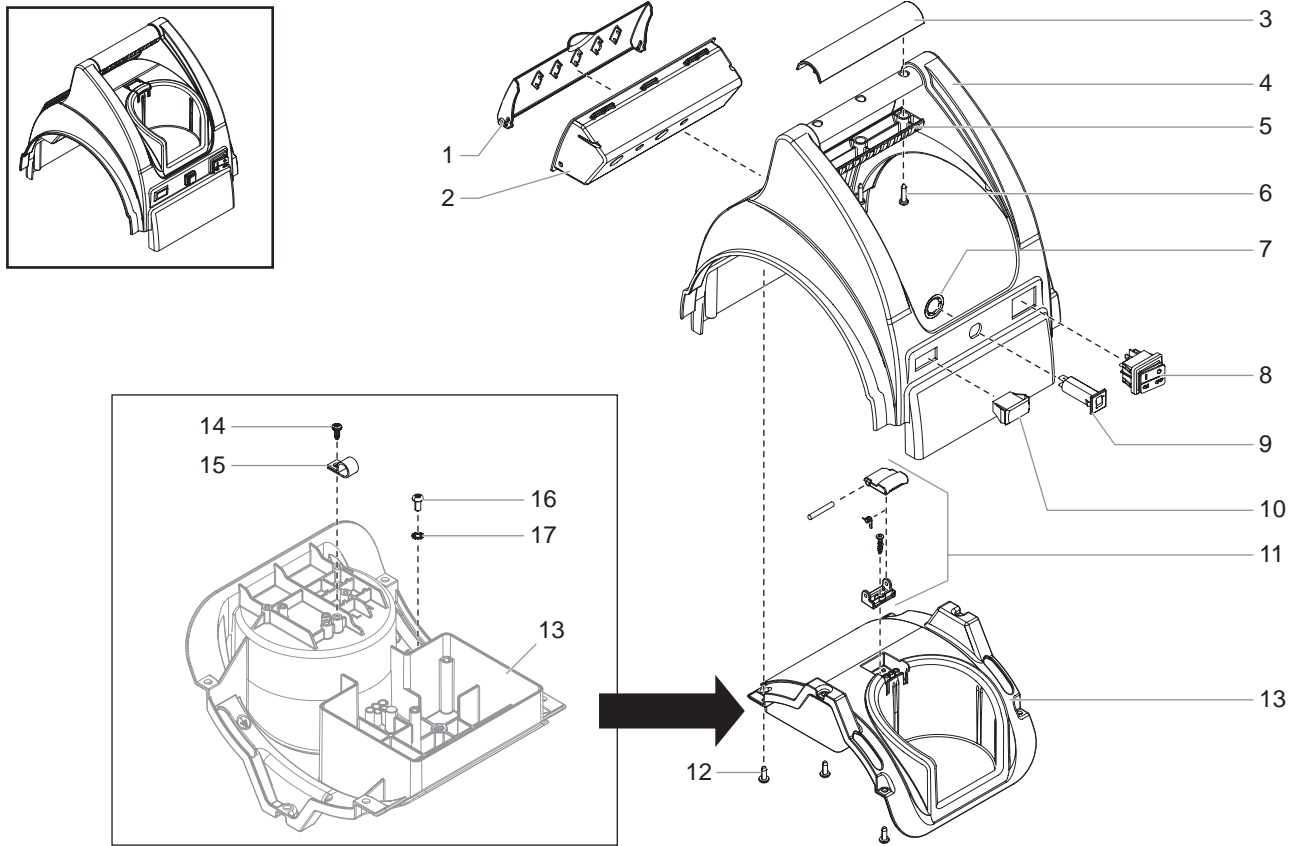
| Item Art. Art. | Part No. N° de pièce Pieza No. | English Description | Français Description | Español Descripción | Qty. Qte. Cant. |
|----------------|--------------------------------|---|--|--|-----------------|
| 1 | ----- | Upper housing assembly (see separate listing) | Ensemble de boîtier supérieur (voir liste séparée) | Ensamblaje de caja superior (consulte a esta separada) | 1 |
| 2 | ----- | 2-Stage turbine assembly, 120V (see separate listing) | Turbine en deux pièces, 120 V (voir liste séparée) | Conjunto de la turbina, 2-fases (consulte a esta separada) | 1 |
| 3 | 0524985 | Dew separator | Séparateur | Séparador | 2 |
| 4 | 0524984 | Screen | Crépène | Reja | 1 |
| 5 | 0524526 | Filter | Filtre | Filtro | 2 |
| 6 | 0524983A | Filter cover | Carter du filtre | Cubierta de filtro | 2 |
| 7 | ----- | Lower housing assembly (see separate listing) | Ensemble de boîtier inférieur (voir liste séparée) | Ensamblaje de caja fondo (consulte a esta separada) | 1 |
| 8 | 858-634 | Screw | Vis | Tornillo | 4 |
| 9 | 0524596 | Exhaust ring | Anneau d'échappement | Anillo de escape | 1 |
| 10 | 0524964 | Foam tape | Bande de mousse | Cinta de espuma | 4 |
| | 0275276 | Air hose (not pictured) | Tuyau pour l'air (pas d'illustration) | Manguera de aire (no se muestra) | 1 |
| | 0153165 | Vacuum cup (not pictured) | Godet de vacuumètre (pas d'illustration) | Cubeta de vacuumador (no se muestra) | 1 |
| | 0275625 | Quick-d disconnect, female (not pictured) | Raccord rapide (pas d'illustration) | Accesorio de desconexión rápida (no se muestra) | 1 |
| | 0524405A | Air hose, whip (not pictured) | Tuyau d'arrivée (pas d'illustration) | Manguera de aire corta (con conexión flexible) (no se muestra) | 1 |
| | 0524041 | Spray gun (not pictured) | Pistolet (pas d'illustration) | Pistola (no se muestra) | 1 |

Turbine Assembly • Ensemble de turbine • Ensamblaje de turbina



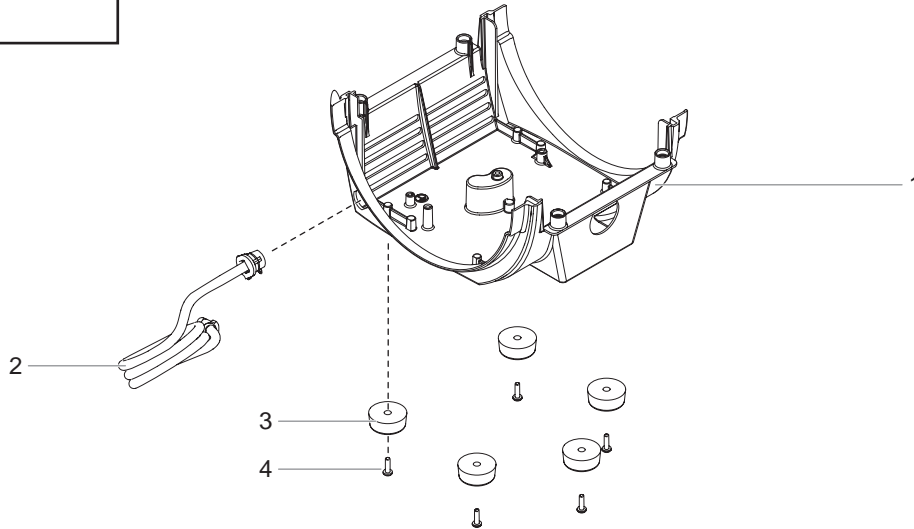
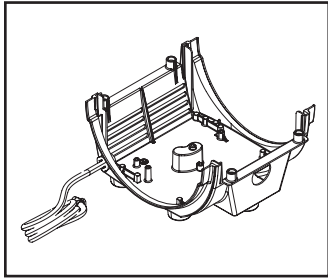
| Item Art. Art. | Part No. N° de pièce Pieza No. | English Description | Français Description | Español Descripción | Qty. Qte. Cant. |
|----------------|--------------------------------|--------------------------------|-------------------------------|---------------------------------------|-----------------|
| 1 | 0295695 | Screw | V s | Torn o | 6 |
| 2 | 9821503 | Lock washer | Ronde e de fixation | Aranda a de asegurar | 6 |
| 3 | 0524970A | Can cover | Couvert e de carter | Cub erta de rec p ente | 1 |
| 4 | 0524683 | Spacer | Espaceur | Separador | 6 |
| 5 | 0524686 | Sea | Jo nt | Se o | 1 |
| 6 | 0524978 | Stud | Goujon | Perno | 3 |
| 7 | 0277425 | O-r ng | Jo nt tor que | Junta tor ca | 1 |
| 8 | 0524982A | Reducer outlet | Réducteur | Sa da de reductor | 1 |
| 9 | 710-127 | Set screw | V s d'arrêt | Torn o de fijac ón | 1 |
| 10 | 0277439 | Exhaust pipe | Tuyau d'échappement | Tubería de descarga | 1 |
| 11 | 0524997A | 2-Stage turbine assembly, 120V | Turbine en deux pièces, 120 V | Conjunto de a turbina, 2-fases, 120 V | 1 |
| 12 | 0276598 | Foam sea | Jo nt de mousse | Junta de espuma | 1 |
| 13 | 0524981 | Can cover | Couvert e de carter | Cub erta de rec p ente | 1 |

Upper housing assembly • Ensemble de boîtier supérieur • Ensamblaje de caja superior



| Item Art. Art. | Part No. N° de pièce Pieza No. | English Description | Français Description | Español Descripción | Qty. Qte. Cant. |
|----------------|--------------------------------|--------------------------------|---|--|-----------------|
| 1 | 0524537 | Tool box door | Porte de trousse d outils | Puerta de la caja de herramientas | 1 |
| 2 | 0524538 | Tool box | Trousse d outils | Caja de herramientas | 1 |
| 3 | 0524557 | Top handle | Poignée supérieure | Manilla superior | 1 |
| 4 | 0524531A | Upper housing | Boîtier supérieur | Caja superior | 1 |
| 5 | 0524558 | Lower handle | Poignée inférieure | Manilla inferior | 1 |
| 6 | 9802266 | Screw | Vis | Tornillo | 3 |
| 7 | 0524963 | Lock washer | Rondelle de fixation | Arandela de asegurar | 1 |
| 8 | 0524553 | Switch | nterrupteur | nterruptor | 1 |
| 9 | 0524550 | Circuit breaker switch kit 12A | L équipement de commutateur de briseur de circuit 12A | El conjunto de interruptor de rompedor de circuito 12A | 1 |
| 10 | 0524986 | Plug | Bouchon | Tapón | 1 |
| 11 | 0524996 | Electrical cover assembly | Couvercle d assemblage électrique | Conjunto de la cubierta eléctrica | 1 |
| 12 | 9803104 | Screw | Vis | Tornillo | 6 |
| 13 | 0524536 | Cup holder | Porte godet | Sostén del depósito | 1 |
| 14 | 9802265 | Screw | Vis | Tornillo | 1 |
| 15 | 0524566 | Cable clamp | Bride de câble | Abrazadera de cable | 4 |
| 16 | 9805287 | Ground screw | Vis de borne à la terre | Tornillo de conexión a tierra | 1 |
| 17 | 9822106 | Lock washer | Rondelle de fixation | Arandela de asegurar | 1 |

Lower housing assembly • Ensemble de boîtier inférieur • Ensamblaje de caja fondo

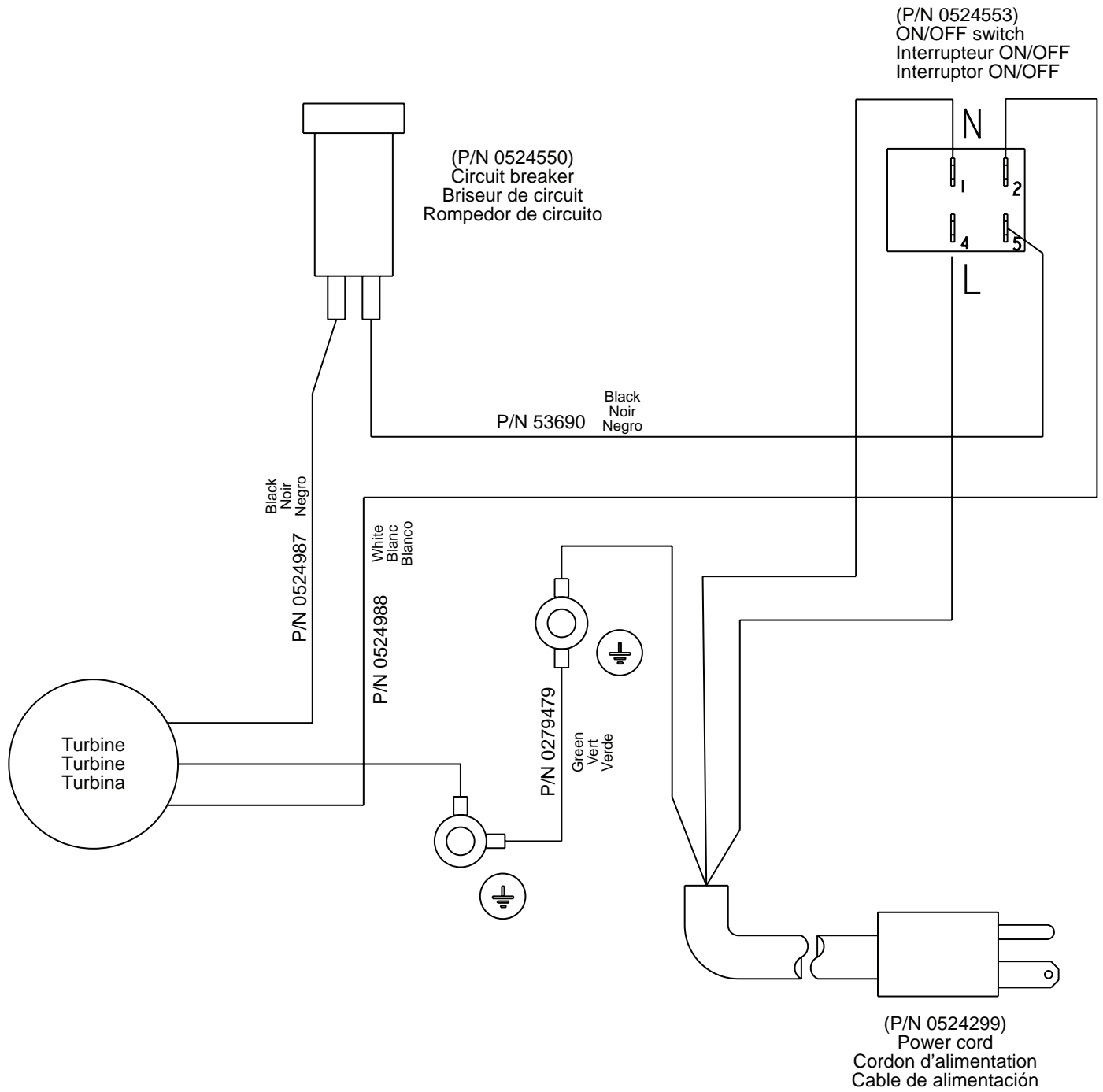


| Item Art. Art. | Part No. N° de pièce Pieza No. | English Description | Français Description | Español Descripción | Qty. Qte. Cant. |
|----------------|--------------------------------|----------------------|----------------------|-------------------------|-----------------|
| 1 | 0524532A | Lower housing | Boîtier inférieur | Caja fondo | 1 |
| 2 | 0524299 | Cord / strain relief | Cordon / détendeur | Cordón / desbocador | 1 |
| 3 | 0090628 | Foot pad | Coupe es | Amortiguador de la base | 5 |
| 4 | 9802222 | Screw | Vs | Tornillo | 5 |

Labels • Étiquettes • Etiquetas

| Part No. N° de pièce Pieza No. | English Description | Français Description | Español Descripción |
|--------------------------------|---------------------|--------------------------------------|-----------------------------------|
| 0524799 | Front cover label | Étiquette du couvercle avant | Etiqueta de la cubierta de antera |
| 0277630 | Warning label | Étiquette de la couverture de moteur | Etiqueta de advertencia |

Wiring Diagram • Diagramme électrique • Diagrama eléctrico



NOTE: All electrical work should be performed by an authorized service center.

NOTA : Tous les travaux d'électricité doivent être effectués par le personnel d'un centre de service autorisé.

NOTA: Todo trabajo eléctrico debe realizarlo un centro de servicio autorizado.

Limited Warranty — High Volume/Low Pressure Spray Equipment

What Is Covered By This Warranty:

This product, manufactured by Titan, is warranted against defects in material and workmanship for one (1) year following date of purchase if operated in accordance with Titan's printed recommendations and instructions.

Within the applicable warranty period, Titan will repair or replace, at our option, defective parts without charge if such parts are returned with transportation charges prepaid to the nearest Authorized Service Center or to Titan Tool Corporation, 1770 Fernbrook Lane, Minneapolis, MN 55447. If Titan is unable to repair this product as to conform to this Limited Warranty after a reasonable number of attempts, Titan will provide, at our option, either a replacement for this product or a full refund of the purchase price of this product. These remedies are the sole and exclusive remedies available for breach of express and implied warranties.

What is Not Covered By This Warranty:

1. This Warranty does not cover any defects or damages caused by either:
 - a) the use or installation of repair or replacement parts or accessories not manufactured by Titan, or
 - b) repair performed by anyone other than a Titan Authorized Service Center.
2. The Warranty does not cover equipment and accessories supplied to Titan from an original equipment manufacturer, including but not limited to: hoses, tips, or accessories. Titan will provide the purchaser with copies of the original equipment manufacturer's express warranties provided to Titan along with the name and address of the appropriate manufacturer.
3. This Warranty does not cover damage or defects caused by or related to abrasion, corrosion, abuse, misuse, negligence, accident, normal wear, faulty installation, or tampering in a manner which impairs normal operation.

Limitation of Remedies:

IN NO CASE SHALL TITAN BE LIABLE FOR ANY INCIDENTAL, SPECIAL OR CONSEQUENTIAL DAMAGES OR LOSS, INCLUDING TRANSPORTATION COSTS, WHETHER SUCH DAMAGES ARE BASED UPON A BREACH OF EXPRESS OR IMPLIED WARRANTIES, BREACH OF CONTRACT, NEGLIGENCE, STRICT TORT, OR ANY OTHER LEGAL THEORY.

Disclaimer Of Implied Warranties:

THE FOREGOING WARRANTIES ARE IN LIEU OF ALL OTHER WARRANTIES, EXPRESS OR IMPLIED, INCLUDING BUT NOT LIMITED TO THE IMPLIED WARRANTIES OF MERCHANTABILITY AND FITNESS FOR A PARTICULAR PURPOSE.

No Ability To Transfer:

This warranty is extended to the original purchaser only and is not transferable.

Your Rights Under State Law:

Some states do not allow limitations on how long an implied warranty lasts or the exclusion of incidental or consequential damages, so the above limitation and exclusion may not apply to you. This warranty gives you specific legal rights, and you may also have other rights which vary from state to state.



United States Sales & Service

Phone: 1-800-526-5362

Fax: 1-800-528-4826

1770 Fernbrook Lane
Minneapolis, MN 55447
www.titantool.com

Canadian Branch

Phone: 1-800-565-8665

Fax: 1-800-856-8496

200 Trowers Road, Unit 7B
Woodbridge, Ontario L4L 5Z8

International

Phone: 1-201-337-1240

Fax: 1-201-405-7449

1770 Fernbrook Lane
Minneapolis, MN 55447