



Zone Sentry® Zone Valve

The Taco Zone Sentry® Zone Valve enhances the overall performance of any zone valve system. The unique patented technology in the Zone Sentry® utilizes a microcircuit based logic to control a gear driven electronic actuator which drives a ball valve based body design. All this adds up to a zone valve that leads the industry in energy efficiency, flow capacity (C_v), shutoff pressure rating, ease of installation, diagnostic capability and the number of valves (12) that can be use on a standard 40VA transformer. The Taco Zone Sentry® zone valves are available in sweat, threaded and 3-way configurations.



Submittal Data Information Zone Sentry® Ball Valve Zone Valve

Submittal Data # 101-140
Supersedes: 10/21/11

Effective: 10/19/12

Product Specifications

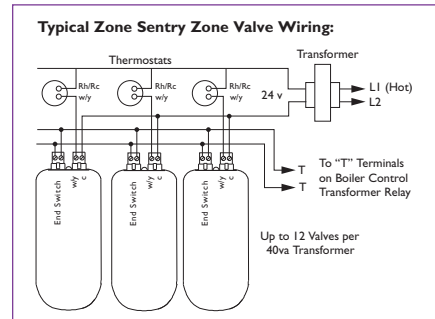
| | |
|------------------------------|---|
| Max. Operating Pressure | 300 PSI (2100 kPa) |
| Max. Shutoff Pressure | 125 PSI (875 kPa) |
| Max Ambient Temp | 135°F |
| Fluid Temperature Range | 20-220°F (7°-105°C) |
| Service | Water or Water/Glycol up to 50% Glycol Close Systems |
| Ball Rotation Speed | (90° turn), Approximately 5 seconds (after charge time) |
| Electrical Rating | 24 VAC, 60Hz 0.48 Amps |
| Power Consumption (Charging) | 1.4 W, 0.48 Amps |
| Power Consumption (Power On) | 1.44W, 0.06 Amps |
| Heat Anticipator Setting | 0.5 Amps |
| End Switch Rating | 1 Amp @ 24 VAC |

Application:

Taco Zone Sentry® Zone Valves provide on-off, normally open or normally closed control in both open and closed hydronic systems. The Taco Zone Sentry valve can be used in a wide variety of applications, specifically designed for use in heating systems and in chilled water systems where condensation is present. It is primarily used in baseboard, fan coils, radiators, convectors, air handlers, heat pumps and radiant applications. Refer to the Product Specifications section for choosing the correct model valve for your application.

Ease of Installation / Operation:

The Taco Zone Sentry® is the most technologically advanced zone valve ever made. It's also simple to install and operate. The valve can be installed in any direction, in any orientation. We then went a step further, allowing the operator to be mounted to the 2-way valve body in either direction, great for those tight baseboard jobs. Snap-in quick connects on the back of the valve make for a simple, secure and fast wiring hook-up. A green LED light shows full functionality of the valve's operation and thermostat status. Under a no power situation the manual override button located on the top of the valve allows the ball to be rotated up to 90° and is also marked with a slot to indicate the position of the valve.

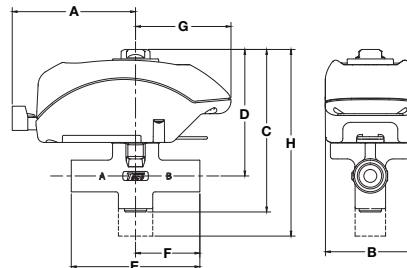


Materials of Construction, Actuator:

| | |
|-------|---|
| Body | High Performance Engineered Polymer |
| Gears | High Performance Internally Lubricated Engineered Polymer |

Materials of Construction, Standard Valve:

| | |
|------------|-----------------------|
| Body | Forged Brass |
| Stem | Brass |
| Press Ring | Brass |
| Ball | Brass (Chrome Plated) |
| Seat | Modified Teflon® |
| O-Rings | EPDM |



| Valve Size | 2-WAY Cv (Kv) / Ft. of Pipe Equiv.** | Close-Off Pressure (kPa) | 3-WAY Cv (Kv) / Ft. of Pipe Equiv.** |
|------------|--------------------------------------|--------------------------|--------------------------------------|
| 1/2" | 4.9 (4.3) / 9.5 | 0-125 psi (0-862 kPa) | 1.5 (1.3) / 111 |
| 3/4" | 10.3 (8.9) / 8.4 | 0-125 psi (0-862 kPa) | 3.3 (2.8) / 82 |
| 1" | 8.9 (7.7) / 47.4 | 0-125 psi (0-862 kPa) | 3.0 (2.6) / 411 |

**At 4' per second (Maximum recommended flow rate is 8' per second).

Zone Sentry® Dimensions: (FOR REFERENCE PURPOSES)

| Valve Size | A | | B | | C | | D | | E (Sweat) | | E (Threaded) | | F | | G | | H (3-way) | |
|------------|-----|------|--------|------|--------|-------|---------|-------|-----------|------|--------------|-------|---------|------|---------|------|-----------|-------|
| | in. | mm | in. | mm | in. | mm | in. | mm | in. | mm | in. | mm | in. | mm | in. | mm | in. | mm |
| 1/2" | 3" | 76.2 | 2-3/8" | 60.3 | 4-1/8" | 104.7 | 3-1/16" | 77.72 | 3-1/8" | 79.3 | 3-3/4" | 120.6 | 1-9/16" | 39.7 | 2-5/16" | 58.7 | 5-1/16" | 128.5 |
| 3/4" | 3" | 76.2 | 2-3/8" | 60.3 | 4-1/8" | 104.7 | 3-1/8" | 79.25 | 3-1/8" | 79.3 | 3-5/16" | 84.1 | 1-9/16" | 39.7 | 2-5/16" | 58.7 | 5-3/8" | 136.4 |
| 1" | 3" | 76.2 | 2-3/8" | 60.3 | 4-1/8" | 104.7 | 3-1/8" | 79.25 | 3-7/8" | 98.4 | 3-7/8" | 98.4 | 1-7/8" | 47.6 | 2-5/16" | 58.7 | 5-1/2" | 139.7 |

| NPT Models | Standard 2-Way | Sweat Models |
|------------|----------------|--------------|
| Z050T2 | 1/2" 2-way | Z050C2 |
| Z075T2 | 3/4" 2 way | Z075C2 |
| Z100T2 | 1" 2-way | Z100C2 |

Consult factory for additional model numbers.



| NPT Models | Standard 3-Way | Sweat Models |
|------------|----------------|--------------|
| Z050T3 | 1/2" 3-way | Z050C3 |
| Z075T3 | 3/4" 3-way | Z075C3 |
| Z100T3 | 1" 3-way | Z100C3 |