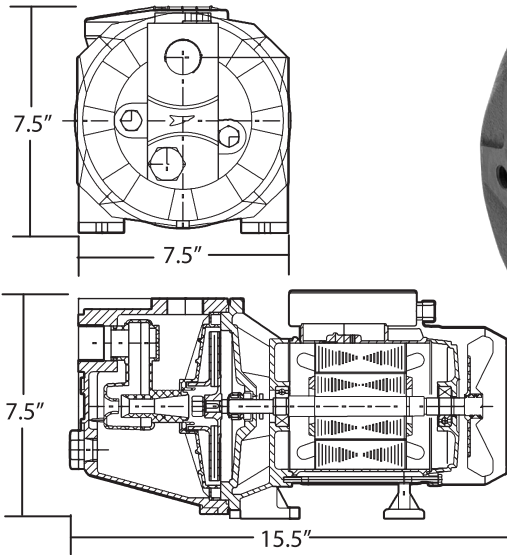


3/4_{HP} CONVERTIBLE JET PUMP

- 3/4 HP dual voltage motor (115/230v - 7.8/3.9 amps)
- Built-in thermal overload protection for safety
- Rugged cast iron pump body for durability
- Tough thermoplastic impeller
- Glass filled thermoplastic diffuser
- Cast iron seal plate
- Pre-mounted, fully adjustable pressure switch
- For shallow well application up to 25' depth
- Can be used in deep well applications
- Maximum pressure: 61 psi
- 1" NPT discharge and drive ports
- Pressure switch pre-set to 20/40 PSI
- 1-1/4" NPT suction



PERFORMANCES

Approximate gallon per minute output at 40 psi

Lift	0'	5'	10'	15'	20'	25'	30'	40'	50'	60'	70'	80'	Maximum Pressure*
GPM	9.8	8.6	7.9	7.1	6.4	5.8	5.1	3.8	3.1	2.3	1.4	0.7	61 psi

TECHNICAL SPECIFICATIONS

Model	HP	Amps	Suction Size	Discharge/ Drive Port Size	Pressure Switch	Max Pressure	Max Flow Rate	Warranty
94715	3/4	7.8/3.9	1-1/4"	1"	20/40	61 psi	12.4 GPM	3 Year