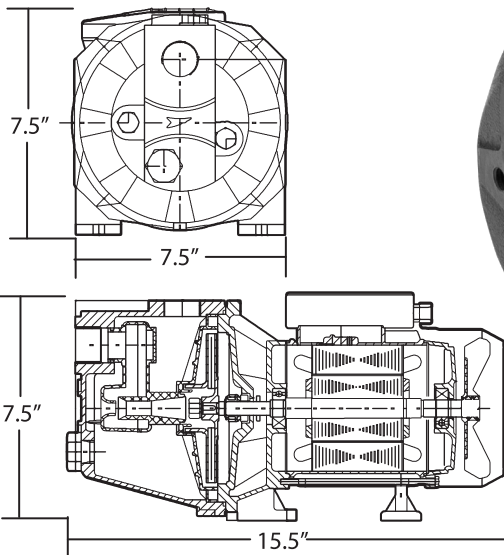


1 HP CONVERTIBLE JET PUMP

- 1 HP dual voltage motor (115/230v -10/5 amps)
- Built-in thermal overload protection for safety
- Rugged cast iron pump body for durability
- Tough thermoplastic impeller
- Glass filled thermoplastic diffuser
- Cast iron seal plate
- Pre-mounted, fully adjustable pressure switch
- For shallow well application up to 25' depth
- Can be used in deep well applications
- Maximum pressure: 71 psi
- 1" NPT discharge and drive ports
- Pressure switch pre-set to 20/40 PSI
- 1-1/4" NPT suction



PERFORMANCES

Approximate gallon per minute output at 40 psi

Lift	0'	5'	10'	15'	20'	25'	30'	40'	50'	60'	70'	80'	Maximum Pressure*
GPM	10.5	10.1	9.4	8.7	8.0	7.4	6.6	4.8	3.7	2.9	2.3	1.6	71 psi

TECHNICAL SPECIFICATIONS

Model	HP	Amps	Suction Size	Discharge/ Drive Port Size	Pressure Switch	Max Pressure	Max Flow Rate	Warranty
94115	1	10/5	1-1/4"	1"	20/40	71 psi	13.2 GPM	3 Year