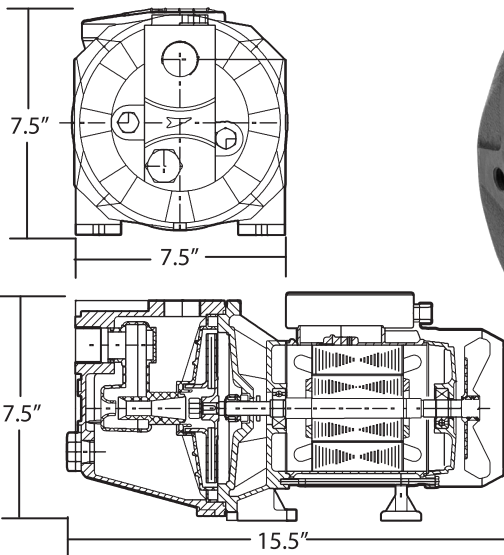


## 1/2HP CONVERTIBLE JET PUMP

- 1/2 HP dual voltage motor (115/230v - 6.4/3.2 amps)
- Built-in thermal overload protection for safety
- Rugged cast iron pump body for durability
- Tough thermoplastic impeller
- Glass filled thermoplastic diffuser
- Cast iron seal plate
- Pre-mounted, fully adjustable pressure switch
- For shallow well application up to 25' depth
- Can be used in deep well applications
- Maximum pressure: 58 psi
- 1" NPT discharge and drive ports
- Pressure switch pre-set to 20/40 PSI
- 1-1/4" NPT suction



### PERFORMANCES

Approximate gallon per minute output at 40 psi													Maximum Pressure*
Lift	0'	5'	10'	15'	20'	25'	30'	40'	50'	60'	70'	80'	58 psi
GPM	7.0	6.2	5.8	5.1	4.5	3.8	3.3	2.0	0.8	-	-	-	

### TECHNICAL SPECIFICATIONS

Model	HP	Amps	Suction Size	Discharge/ Drive Port Size	Pressure Switch	Max Pressure	Max Flow Rate	Warranty
94515	1/2	6.4/3.2	1-1/4"	1"	20/40	58 psi	9.9 GPM	3 Year