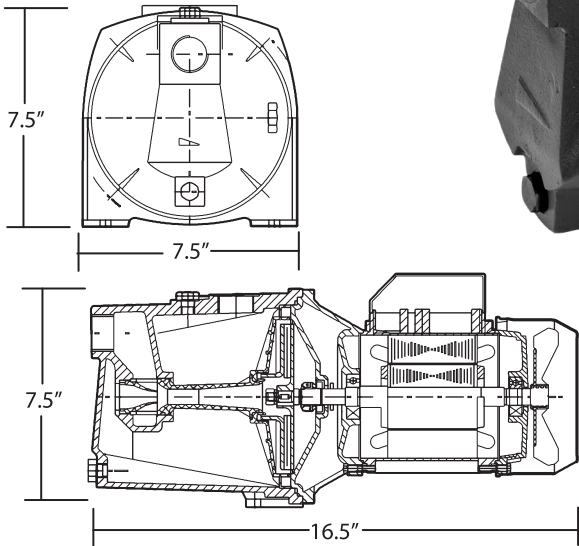


## 1/2<sub>HP</sub> SHALLOW WELL JET PUMP

- 1/2 HP dual voltage motor (115/230v -6.4/3.2 amps)
- Built-in thermal overload protection for safety
- Rugged cast iron pump body for durability
- Tough thermoplastic impeller
- Glass filled thermoplastic diffuser
- Cast iron seal plate
- Pre-mounted, fully adjustable pressure switch
- For shallow well application up to 25' depth
- Maximum pressure: 67 psi
- Pressure switch pre-set to 20/40 PSI
- 1-1/4" NPT suction
- 1" NPT discharge



### PERFORMANCES

Approximate gallon per minute output at 40 psi							Maximum Pressure
Lift	0'	5'	10'	15'	20'	25'	
GPM	10	9.5	8.8	8.2	7.5	6.8	67 psi

### TECHNICAL SPECIFICATIONS

Model	HP	Amps	Suction Size	Discharge/ Drive Port Size	Pressure Switch	Max Pressure	Max Flow Rate	Warranty
94505	1/2	6.4/3.2	1-1/4"	1"	20/40	67 psi	12.5 GPM	3 Year