



Electric Garden Cultivator

Model No. TJ599E

Form No. SJ-TJ599E-880E

A Division of Snow Joe, LLC

OPERATOR'S MANUAL

IMPORTANT! Safety Instructions

All Operators Must Read These Instructions Before Use

Always follow these safety guidelines. Failure to do so may result in serious bodily injury or death.

General Safety WARNINGS!

When using the electric cultivator, basic safety precautions should always be followed to reduce the risk of fire, electric shock, and personal injury, including the following:

⚠ WARNING: When servicing use only identical replacement parts. To reduce the risk of electric shock, this appliance has a polarized plug (one blade is wider than the other) and will require the use of a polarized extension cord. The appliance plug will fit into a polarized extension cord only one way. If the plug does not fit fully into the extension cord, reverse the plug. If the plug still does not fit, obtain a correct polarized extension cord. A polarized extension cord will require the use of a polarized wall outlet. This plug will fit into the polarized wall outlet only one way. If the plug does not fit fully into the wall outlet, reverse the plug. If the plug still does not fit, contact a qualified electrician to install the proper wall outlet. Do not change the equipment plug, extension cord receptacle, or extension cord plug in any way. Before using the cultivator, take the time to familiarize yourself with the controls, especially how to stop the cultivator in an emergency. Only allow responsible individuals who have a thorough understanding of these instructions to operate the cultivator. Never allow children to operate the cultivator. Retain this manual for future reference and reread it at the start of each cultivating session.

⚠ This symbol indicates important safety instructions. Failure to observe and follow these instructions may result in personal injury or property damage. Read and follow all instructions in this manual before attempting to operate this machine.

TRAINING

1. Read, understand and follow all instructions on the cultivator and in the manual (s) before attempting to assemble and operate. Save this manual for reference and ordering replacement parts.
2. Never allow children under 16 years old to operate this machine. Children 16 years old and over should be trained and supervised by an adult who understands the operation of the cultivator.

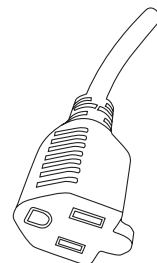
3. Never allow an untrained individual to operate the cultivator.
4. Understand the function of all the controls and their proper operation. Know how to stop the machine and disengage them quickly.
5. Always plan your cultivating pattern to avoid discharge of material toward people, pets and property. Thrown objects can cause serious personal injury.
6. Keep people, pets and property at least 25 feet from the cultivator while it is in operation. Stop the cultivator if people or pets enter the discharge area.
7. Always observe the surface conditions in order to avoid slipping, falling and unexpected objects.

PREPARATION

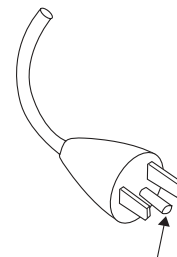
1. Always inspect the area where the cultivator is to be used. Remove all objects (e.g., stones, sticks, wires and foreign objects) that could be thrown by the tines or cause the operator to trip.
2. Thrown objects can cause serious injury to the eyes and exposed body. Always wear safety glasses or eye shields during operation and while performing an adjustment or repair.
3. Always operate cultivator wearing adequate garments. Do not wear jewelry or other loose clothing, which could become entangled in moving parts. Wear footwear that provides sure footing.
4. Observe any noise-prevention regulations and laws.
5. Inspect the cultivator for worn, missing or damaged parts and safety labels. See maintenance section for detailed instructions.

ELECTRICAL SAFETY

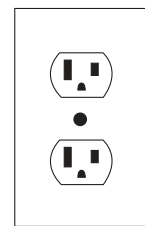
1. Always use a grounded three-wire extension cord and receptacle that is made of rubber and intended for outdoor use.



3 CONDUCTOR



GROUNDING PIN



GROUNDING OUTLET BOX

GROUNDING METHOD

2. Keep the extension cord away from the moving tines and hot motor housing.
3. Avoid contact with metal objects.

GENERAL OPERATION

1. Do not operate the machine while under the influence of alcohol or drugs.
2. Keep all safety devices in place and working. Do not operate with missing or damaged components.
3. Ensure the controls (Start/Stop) function properly before cultivating.
4. Hold onto the cultivator with both hands during operation. Ensure the grips are dry.
5. Contact with the rotating parts can amputate hands and feet. Do not put hands or feet near rotating parts.
6. Plan your cultivating pattern to avoid discharge towards people or property (e.g., windows, cars etc.). Do not direct discharge at children, bystanders and pets or allow anyone in front of the machine.
7. Only operate the cultivator when there is good visibility or light and dry conditions. Always watch your footing and keep a firm hold on the grips. Walk don't run!
8. Do not operate the cultivator on slippery surfaces. Check your footing as you operate the cultivator.
9. Exercise caution when changing direction and operating on slopes. Always keep feet and legs a safe distance away from the machine. Look for hidden obstacles or hazards.
10. Do not overload machine capacity by attempting to cultivate to deeply. It will cause excessive resistance.
11. Stop the cultivator and disconnect the electric cord before you leave the operating position (behind the handles) to make any adjustments or inspections. Wait until the tines have come to a complete stop.
12. If the cultivator should start to vibrate abnormally, stop the machine and inspect thoroughly for damage.
13. Turn the machine OFF and disconnect the electrical power when moving to a new work area. Allow the tines to completely stop rotating before moving the cultivator.
14. Always use care and good judgment when you have a situation that is not covered in this manual. If unsure, always contact the distributors where you bought the cultivator or the nearest service location before proceeding.
15. Avoid Dangerous Environment – Don't use appliances in damp or wet locations.
16. Don't use in rain.
17. Keep Children Away – All visitors should be kept at a

distance from work area.

18. Dress Properly – Do not wear loose clothing or jewelry. They can be caught in moving parts. Use of rubber gloves and substantial footwear is recommended when working outdoors. Wear protective hair covering to contain long hair.
19. Use Safety Glasses – Always use face or dust mask if operation is dusty.
20. Use Right Appliance – Do not use appliance for any job except that for which it is intended.
21. Ground Fault Circuit Interrupter (GFCI) protection should be provided on the circuit(s) or outlet(s) to be used for the gardening appliance. Receptacles are available having built-in GFCI protection and may be used for this measure of safety.
Exception: This warning does not apply to a battery operated appliance.
22. **⚠ WARNING!** – To reduce the risk of electric shock, use only with an extension cord intended for outdoor use, such as an extension cord of cord type SW-A, SOW-A, STW-A, STOW-A, SJW-A, SJOW-A, SJTW-A. or SJTOW-A.
23. Extension Cord – Make sure your extension cord is in good condition. When using an extension cord, be sure to use one heavy enough to carry the current your product will draw. An undersized extension cord will cause a drop in line voltage resulting in loss of power and overheating. Table 1 shows the correct size to use depending on cord length and nameplate ampere rating. If in doubt, use the next heavier gauge. The smaller the gauge number, the heavier the cord. To reduce the risk of disconnection of appliance cord from the extension cord during operating:

Minimum Gauge For Extension Cords

| Volts | Total length of cord in feet | | | |
|----------------------------|------------------------------|----|-----------------|-----|
| | 25 | 50 | 100 | 150 |
| Ampere Rating More than | AWG | | | |
| Not more than | | | | |
| 0 – 6 | 18 | 16 | 16 | 14 |
| 6 – 10 | 18 | 16 | 14 | 12 |
| 10 – 12 | 16 | 16 | Not Recommended | |

Table 1

- i) Make a knot as shown in Table 2 or
- ii) Use one of the plug-receptacle retaining straps or connectors described in this manual.

Method of securing extension cord

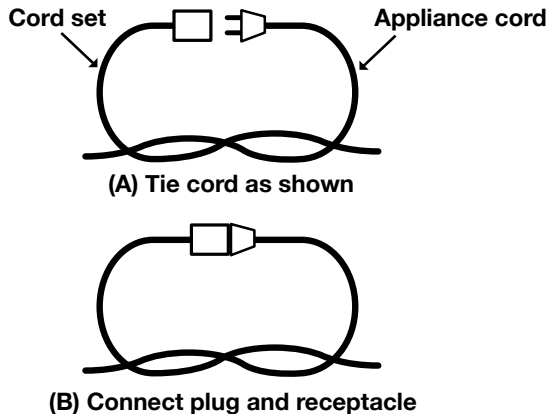


Table 2

24. Avoid Unintentional Starting – Don't carry plugged-in appliance with finger on switch. Be sure switch is OFF when plugging in.
25. Don't Abuse Cord – Never carry appliance by cord or yank it to disconnect from receptacle. Keep cord from heat, oil, and sharp edges.
Exception: This statement does not apply to a cordless battery-operated gardening appliance.
26. Don't grasp the exposed cutting blades or cutting edges when picking up or holding the appliance. (For grass shears and similar appliances only.)
27. Don't Force Appliance – It will do the job better and with less likelihood of a risk of injury at the rate for which it was designed.
28. Don't Overreach – Keep proper footing and balance at all times.
29. Stay Alert – Watch what you are doing. Use common sense. Do not operate appliance when you are tired.
30. Disconnect Appliance – Disconnect the appliance from the power supply when not in use, before servicing, when changing accessories such as blades, and the like.
Exception: This warning does not apply to a battery operated appliance.
31. Store Idle Appliances Indoors – When not in use, appliances should be stored indoors in dry, and high or locked-up place – out of reach of children.
32. Maintain Appliance With Care – Keep cutting edge sharp and clean for best performance and to reduce the risk of injury. Follow instructions for lubricating and changing accessories. Inspect appliance cord periodically, and if damaged, have it repaired by an authorized service facility. Inspect extension cords periodically and replace if damaged. Keep handle dry, clean, and free from oil and grease.

33. Check Damaged Parts – Before further use of the appliance, a guard or other part that is damaged should be carefully checked to determine that it will operate properly and perform its intended function. Check for alignment of moving parts, binding of moving parts, breakage of parts, mounting, and any other condition that may affect its operation. A guard or other part that is damaged should be properly repaired or replaced by an authorized service center unless indicated elsewhere in this manual.

WORK STOPPAGE






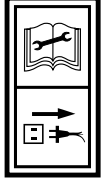


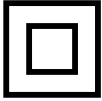
1. Always turn the cultivator OFF and disconnect the electrical power when there is a work stoppage or changing work areas. Never leave the machine running when unattended.
2. The tines will continue to rotate for a short period after turning the cultivator OFF. Wait until the tines have completely stopped before lifting the machine or conducting inspection and maintenance.
3. The motor housing remains hot for a short period after the machine is turned OFF. Allow the motor housing to cool off before touching or storing near combustible material.

MAINTENANCE AND STORAGE

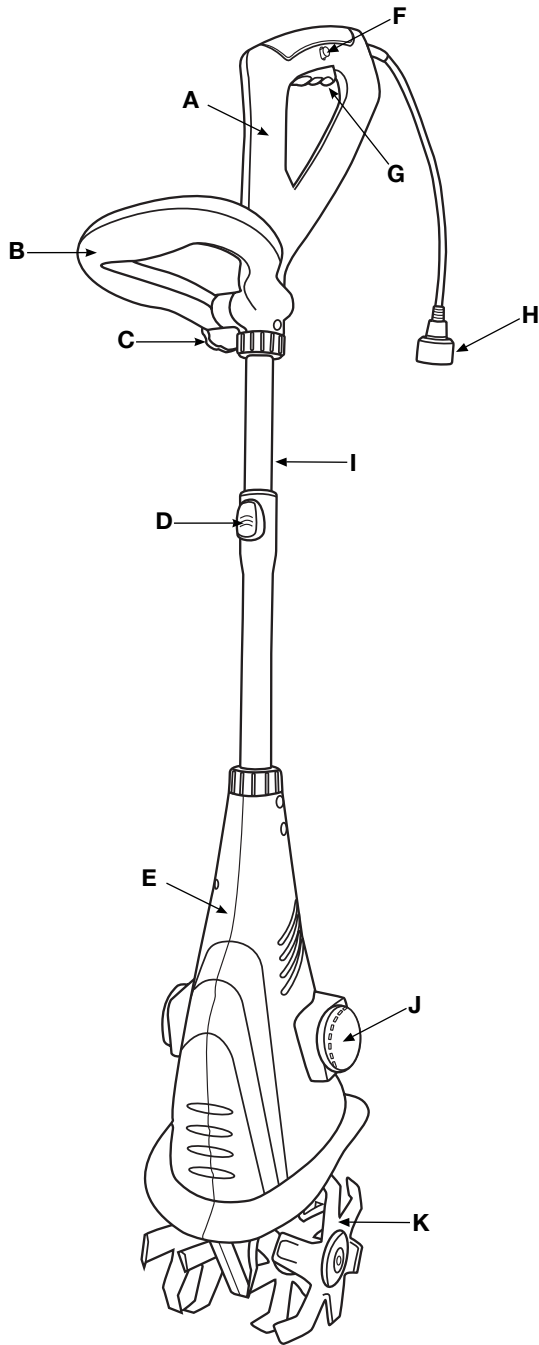
1. Maintain or replace safety and instruction labels.
2. Disengage all controls, stop the engine and wait until the tines come to a complete stop before cleaning, repairing or inspecting the cultivator.
3. Regularly check the following:
 - a. Accumulation of debris around the tines could cause a poor performance or damage to the motor. Inspect and clean before every use.
 - b. Safety devices are operating properly. Do not tamper with or adjust safety devices.
 - c. Bolts and screws for proper tightness. Visually inspect machine for any damage and that the cultivator is in safe working condition.
 - d. Always replace damaged parts with original equipment manufacturer's (OEM) parts only. Replacement parts that do not meet the original equipment specifications may lead to improper performance and compromise safety.

Safety Symbols

The following table depicts and describes safety symbols that may appear on this product. Read, understand, and follow all instructions on the machine before attempting to assemble and operate.

| SYMBOLS | DESCRIPTIONS |
|---|---|
|  | SAFETY ALERT |
|  | READ THE OPERATOR'S MANUAL(S) Read, understand and follow all instructions in the manual(s) before attempting to assemble and operate. |
|  | WARNING! Keep out of rain and away from wet areas. |
|  | Wear eye protection, dusk mask protection, and ear protection. |
|  | DANGER! Rotating objects may spin off and cause personal injury. Keep people away from hazard area. |
|  | WARNING! Always turn the machine OFF and disconnect the electrical power before conducting inspection, cleaning and maintenance. Remove plug from outlet immediately if the cord is damaged or cut. |
|  | DANGER! Keep electrical extension cable away from tines. |
|  | WARNING! Rotating parts may cause serious injury. Allow the tines to completely stop before moving the machine, inspection, cleaning and maintenance. |
|  | DOUBLE INSULATION |

Know Your Electric Garden Cultivator



Part List Legends

- A. Operation Handle
- B. Auxiliary Handle
- C. Locking Nut
- D. Push Adjustable Slide Lock Button (for Telescoping Tube)
- E. Shroud
- F. Safety Push Button
- G. Trigger
- H. Power Cord and Plug
- I. Telescoping Tube
- J. Air Outlet
- K. Steel Blade Tines

Figure 1

Technical Data

Power – 2.5 AMP

Main voltage – 120 V

Main frequency – 60 Hz

Tilling width – 6.3-IN (160 mm)

Max cultivating depth – 6-IN (152 mm)

Blades – 4 Steel Blade Tines

Idle speed – Approx 300 RPM

Weight – 19 lbs (8.5 kg)



CAUTION



Inspect wiring, which, if damaged during shipping, may cause serious bodily injury during equipment use. If any damage is seen or suspected, do not assemble. Instead, contact Snow Joe Customer Service (1-866-SNOW JOE) for assistance.

Handle with care during assembly so that electrical wiring does not become damaged.

Assembly



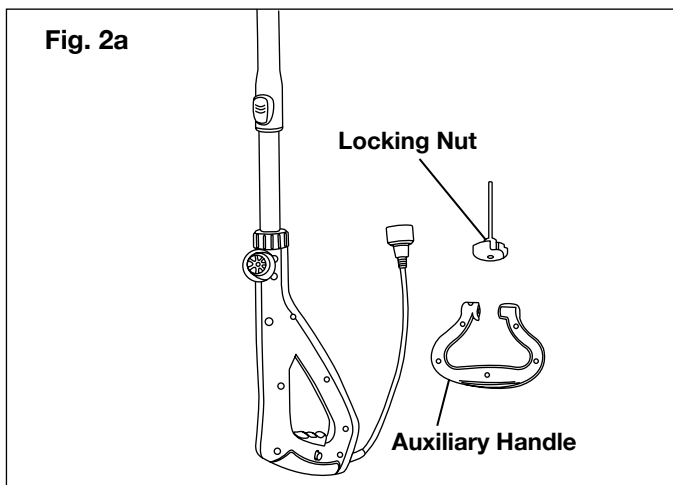
WARNING



Please remove the plug prior to disassembling or mounting of parts and accessories in order to reduce the risk of injury. Use of any other parts not recommended can result in injury.

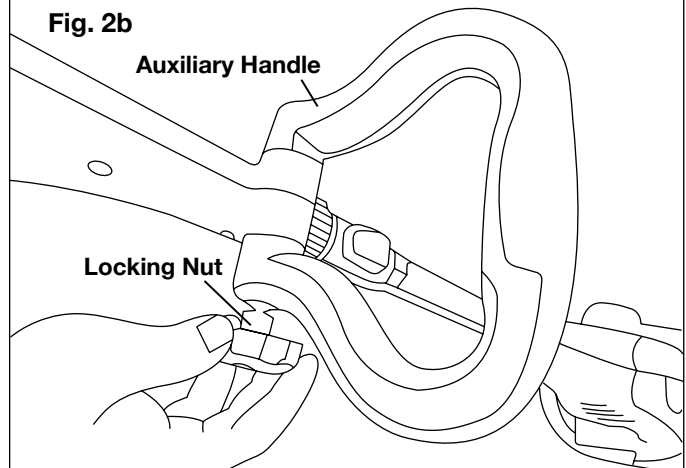
Machine Body and Handle Assembly

1. Take out the machine and auxiliary handle and locking nut from the box. (Fig. 2a)



2. Assemble the auxiliary handle on the machine and insert the locking nut into the auxiliary handle, screw tightly. (Fig. 2b)
3. Ensure the handle assembly and the machine body assembly are fixed tightly.

Fig. 2b



WARNING



To reduce the serious risk, only use the tines suited to this tiller and do not use of any other type of tines.

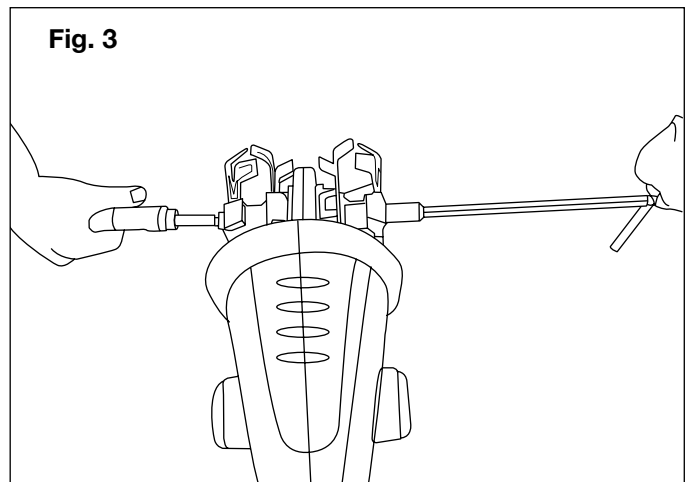
Changing the Tines

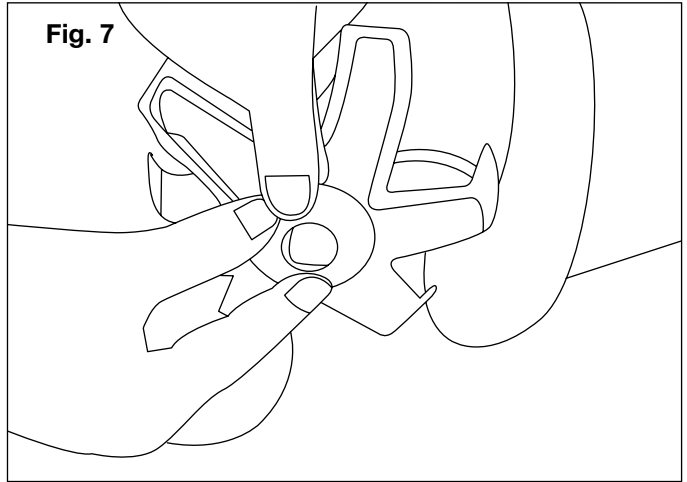
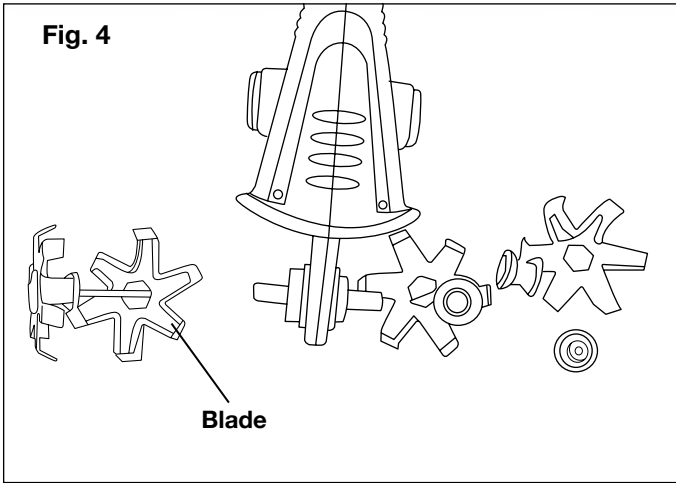
Note: The tines in the motor housing is provided by the manufacturer and the manufacturer only recommends to use the supplied and installed tines. Ensure the tines are in good condition prior to operation.

To exchange tines, use the following procedure:

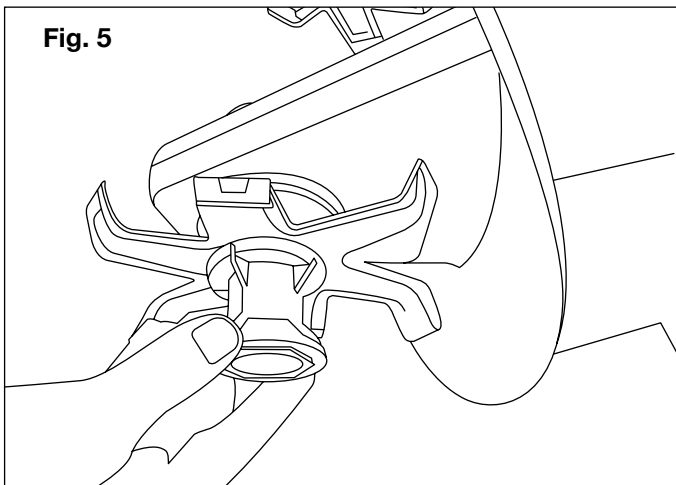
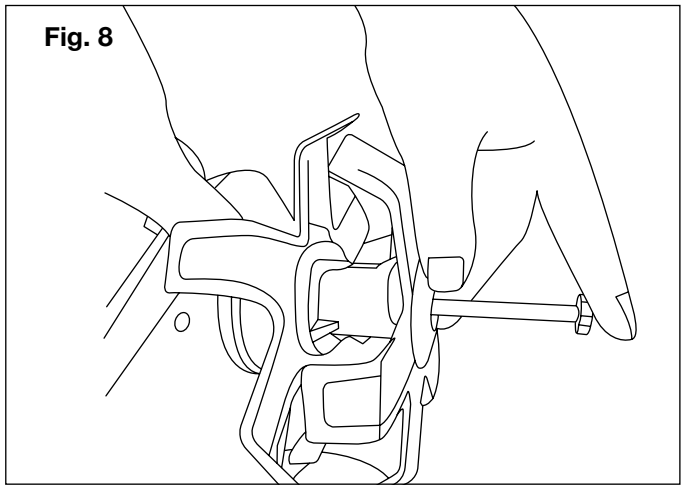
1. Turn off the switch of the cultivator and remove the plug from the extension cord.
2. The operator should stand on flat and safe position.
3. Remove the nut with socket wrench and disassemble the blades. (Fig. 3 & Fig. 4)

Fig. 3





4. Exchange blades and assemble them in the sequence of disassembly and tight on with locknut. (Fig. 5, 6, 7, 8, 9 and 10)



IMPORTANT! The tines must be set in the correct turning direction. Note the way the old tines came off and replace the new ones exactly the same way.

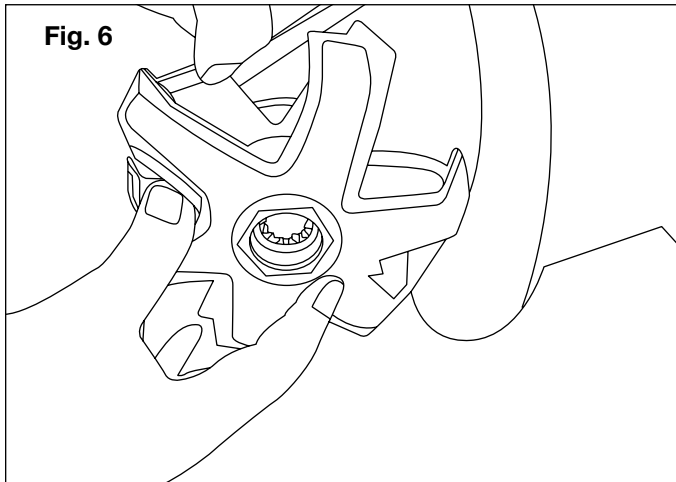
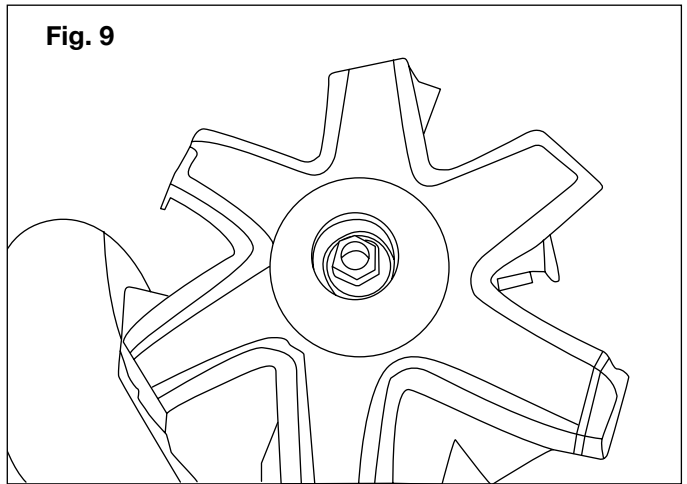
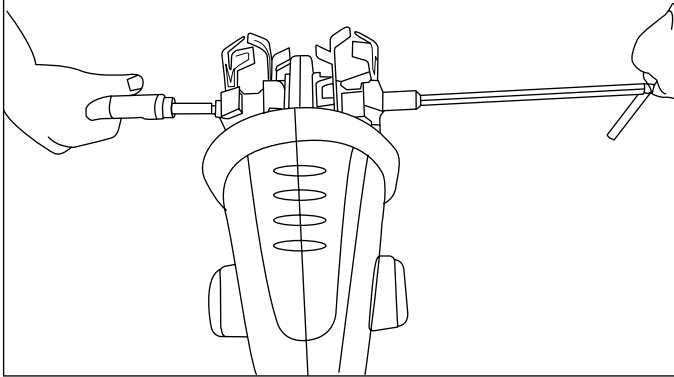


Fig. 10



5. You should only use the tines produced by our company.

Operation

Note: Before using this cultivator, make sure that the power source you will use complies with the specifications detailed in this manual.

This machine is intended for breaking up and cultivating coarse soil for the purpose of mixing in fertilizer, peat and compost in domestic areas. Any use other than that specifically named in this manual may lead to damage to the tool and represents a serious injury hazard for the operator.

The operator or user of the tool is responsible for any damage or injury caused to other persons or property. Adults should only operate the machine. Children and persons unfamiliar with the manual must not be allowed to use the tool. Do not use the tool in rain or damp surroundings. The manufacturer shall not be held liable for damage arising from improper use or incorrect operation of the cultivator.

⚠ WARNING:

- Keep hands away from blades.
- Disconnect the power cord and wait for blades to come to a complete stop before making any adjustments, cleaning or removing debris from blades. NEVER try to remove an obstruction from the blades while the cultivator is plugged in.
- Be sure all adjustments knobs, screws or levers are tight and secure before use.
- Be aware of extension cord while operating the cultivator. Be careful not to trip over cord. Keep cord away from tines at all times.



WARNING



Carelessness, mishandling or error on the part of the operator may result in bodily injury (e.g.: amputation, projectile impact), or death. The tiller must be operated according to the warnings and guidelines in this manual.

Powering ON and OFF

- To switch on the power, using your thumb push in the safety push button and with middle fingers squeeze trigger. You can now release thumb pressure and push button will stay depressed until you release the trigger.
- To switch OFF, release the trigger.

⚠ CAUTION:

- Check the area to be tilled or cultivated. Look for any hazards and obstructions that could contribute to unsafe conditions.
- Remove all rocks, debris, and other materials that could become jammed in the tines.
- **If unit stops because of a stone or rock that is jammed you must unplug the unit and remove the blockage.**
- Do not till or cultivate in areas where there may be hidden hazards, such as sprinkler heads and pipes, buried power cables or gas lines or other similar hazards.
- Do not operate cultivator on a slope that is too steep for safe operation.
- Make sure your footing is firm. Keep feet apart. Divide your weight evenly on both feet.

Operating the Electric Cultivator



WARNING



Rotating tines may cause serious injury. The tines will continue to turn for a few seconds after the tool has been switched OFF. Do not touch the rotating tines. Contact with hot components (i.e.: motor housing, gear box) on the machine may cause burns. Allow the machine to cool off before handling.

Note: Use the cultivator for breaking sod, preparing seed beds, and for cultivating gardens and flower beds. The unit can also dig small holes for planting sapling or potted plants.

Guide the cultivator using light pressure. Do not force tool. It will do the job better and safer at the rate for which it was intended.



A Two-Year Full Warranty for residential use in the United States and Canada



General Conditions:

Snow Joe, LLC warrants this product to the original purchaser for two years against defects in material or workmanship when used for normal residential purposes. Snow Joe, LLC will repair any defect in material or workmanship, and repair or replace any defective part, subject to the conditions, limitations, and exclusions set forth herein. Such repair or parts replacement will be free from charge to the original purchaser except noted below.

The duration of the warranty applies only if the product is put to personal use around the household or residence. If the product is put to any business use, commercial or industrial, then the duration of this warranty is 90 days from the date of original purchase. If any product is rented or leased, the duration of the warranty is 90 days from the date of original purchase.

It is the owner's responsibility to perform correctly all maintenance, and minor adjustments explained in the owner's manual.

Electric Products:

To obtain a replacement electric powered unit or repair the existing electric powered unit, you must return the complete unit and postage prepaid to: **Snow Joe Return Center, 86 Executive Avenue, Edison, NJ 08817.**

Gasoline / Battery Products:

Limitations

- Batteries are warranted only for the period of 12 months after the date of purchase on a prorated basis. Rechargeable batteries will be replaced free from charge during the first 90 days. After the initial 90 days, batteries will be replaced at prorated cost to the customer
- Idlers, cables, and electrical components are warranted to the original purchaser for use at household or residence for a period of two years

Exclusions

- Snow Joe brand engines are covered under this warranty. All other engines and engine accessories are covered only by the engine manufacturer's warranty and are not covered by this warranty
- Parts used that are not genuine Snow Joe parts are not covered by this warranty
- Damages resulting from misuse, alteration, improper assembly, improper adjustment, neglect, or accident which requires repair is not covered under this warranty
- Belts, augers, and tines are not covered under warranty – belts, augers, and tines wear out and can be purchased at www.snowjoe.com or by calling 1-866-766-9563.

Snow Joe, LLC may from time to time change the design of its products. Nothing contained in this warranty shall be construed as obligating Snow Joe, LLC to incorporate such design changes into previously manufactured products, nor shall such changes be construed as an admission that previous designs were defective.

This warranty is intended to cover product defects only. Snow Joe, LLC is not liable for indirect, incidental, or consequential damages in connection with the use of the Snow Joe Products covered by this warranty. This warranty does not cover any cost or expense incurred by the purchaser in providing substitute equipment or service during reasonable periods of malfunction or non-use of this product, while waiting for completion of repairs under this warranty. Some states do not allow exclusions of incidental or consequential damages, so the above exclusions may not apply in all states. This warranty may give you specific legal rights in your state.

**If you wish to contact Snow Joe, please direct inquiries to the:
Customer Service Department
Snow Joe Center
86 Executive Avenue
Edison, NJ 08817**

Customers who have purchased Snow Joe products exported from the United States and Canada should contact their Snow Joe Distributor (Dealer) to obtain information applicable for your country, province, or state. If for any reason, you are not satisfied with the distributor's service, or if you have difficulty obtaining warranty information, contact your Snow Joe seller. If in the event your efforts are unsatisfactory, please write to the Snow Joe Center at the above address.

If you have any questions about your product warranty, please call 1-866-SNOW-JOE or visit us online at www.snowjoe.com.