



PRODUCT CATALOG



COMPANY HISTORY

Steel Eagle, Inc. was formed in 1993 with two major goals in mind. The first goal was to make available new distribution channels that were not available to its twenty-year-old parent company; and the second goal was to innovate and bring dynamic new products to the market. We adhere to both of these goals religiously.

Our Mission:

To be a customer-driven company, providing a world-class product for industrial and commercial cleaning and storage applications.

To be a company with the courage to build partnerships with our customers, while at the same time seeking the most advantageous avenue of distribution, that will ultimately provide the best value for our end customer.

Our philosophies reflect the Christian values of the entire Steel Eagle family.

Steel Eagle Product Innovations

The first major innovation involved the introduction of **stainless steel hose reels** to the high-pressure cleaning industry. Following the stainless high-pressure hose reels was the adjustable flat-surface cleaning tool. Steel Eagle secured an exclusive right to this patent in 1993 and changed the rotary concrete cleaning market with its spun aluminum decks. They performed flawlessly, and looked great, too.

We then introduced the most dynamic tool of all: **The Steel Eagle "Clean and Capture System."** This vacuum system not only cleans but also picks up the water when the environment or regulations do not allow the discharge of cleaning effluent into the standard waste stream. Needless to say, it has had a major impact on the flat surface cleaning industry. Steel Eagle holds the exclusive patent rights for distribution of this flat surfacing cleaning tool in the United States market.

Our newest products focus on the **Fire Service industry** with the recently introduction of Fire Service Booster Reels and Fire Service Slide-In units. This market, like all other markets we're involved in, will see that when Steel Eagle enters the market, things will change. Look for many new innovations and products to appear in the Fire Service product line.

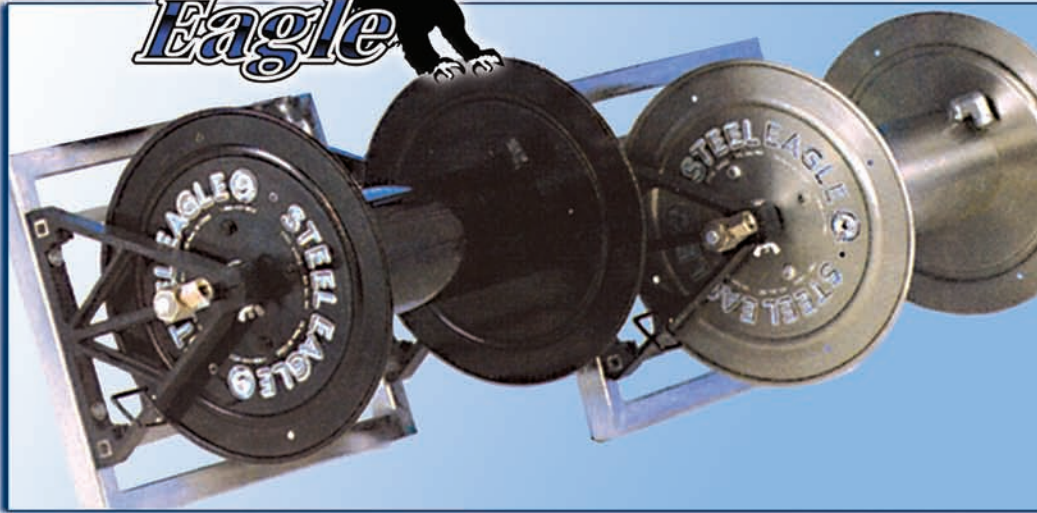
*Steel Eagle's history is one of innovation and quality.
This heritage will continue into the future in all the products
that carry the Steel Eagle name.*

1-800-447-3924 • www.steeleagle.com

P. O. Box 919, Elk Point, SD 57025 • Fax 605/356-2144

HOSE REELS BUILT TOUGH... BUILT AFFORDABLE!

*Steel
Eagle*



Applications

- Portable Compressors
- Power Washers
- Steam Cleaning
- Industrial Plants
- Roofing Contractors
- Hotels, Motels, Resorts & Restaurants
- Agricultural Fertilizers & Herbicides
- Lawn Care/Grounds Maintenance
- Orchards/Tree Spraying
- Nurseries/Greenhouses
- Pest Control/Pesticides

TOUGH STANDARD FEATURES

Steel Eagle's heavy-duty features perform for any application, with any equipment!

ALL REELS:

- Nyrin ends
- Pressure rated to 4000 PSI
- Friction brakes
- Lock pin
- Pre-drilled mounting holes
- Heavy-duty swivel
- Maximum 325° F swivel temperature
- Easy-turn handle

STAINLESS REELS:

- Total non-corrosive reel

BLACK PAINTED REELS:

- Dura-gloss paint, powder-coated
- Schedule 80 spindle pipe

REEL CART KIT — Part #K01-0160

NOTE:
12" Reel sold separately.



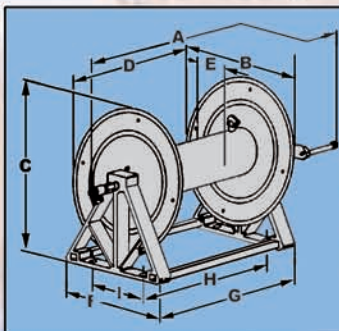
REEL STACK KIT

- 8" - Part #K01-0149
- 12" - Part #K01-0150
- 18" - Part #K01-0151
- 22" - Part #K01-0152

NOTE: Reels sold separately.



Steel Eagle's powder-coating system.



HOSE CAPACITY
IN FEET
HOSE SIZE (I.D.)

ALL DIMENSIONS IN INCHES

APPROX.
WT. LBS.

3/8"	1/2"	SIZE	MODEL #	"A"	"B"	"C"	"D"	"E"	"F"	"G"	"H"	"I"	NET	SHIP
160'	100'	8"	K01-0105	20 1/2	16 1/2	18 1/2	7 1/2	6	12 1/2	11 1/2	9 7/8	7 1/2	19	25
300'	200'	12"	K01-0106	25 3/4	16 1/2	18 1/2	12	6	12 1/2	16	14 3/8	7 1/2	21	27
450'	325'	18"	K01-0107	31 3/4	16 1/2	18 1/2	18	6	12 1/2	22	20 3/8	7 1/2	25	31
550'	400'	22"	K01-0108	35 3/4	16 1/2	18 1/2	22	6	12 1/2	26	24 3/8	7 1/2	27	33

SWIVEL REELS

Swivel Reel • Reel swivels 200° to give optimum travel range for hose.

Adjustable Friction Brakes • Eliminates hose backlash when unwinding.

Heavy-Duty Performance • Swivel & plumbing rated to 4000 PSI and 250° standard. Optional swivel available for higher temperature ratings.

Easy Push/Pull Lock Pin • Prevents unwanted reel rotation when reel is not in use.

Smooth-Radius Bent Arm • Eliminates 90° bend and strengthens arm.

Locking Collar Shaft • Holds reel in place.

Durable Construction • Heavy-gauge cold-rolled metals manufacture a durable reel, capable of securely storing 150' of 3/8" high-pressure hose. *Durable powder-coated paint.*

Hose Holder • Provides the option of coupling the hose to the reel to keep it securely attached.

Double-Bearing Design with Stainless Steel Shaft • Eliminates any side movement and allows reel to turn very easily.

Hair-Pin Clip • Holds reel in place in different positions.

Easy-Mount Adapter • Easily adapts to any round or square tubing for mounting in minutes.



← **#K01-0300 • Swivel Reel**
 • Capacity 150 feet 3/8" hose
 • 4000 PSI – 250°



#K01-2025 • Mini Swivel Reel →
 • Capacity 100 feet 3/8" hose
 • 4000 PSI – 250°



← **#K01-0302 • Swivel Reel with Wall Mount**
 • Capacity 150 feet 3/8" hose
 • 4000 PSI – 250



← **#K01-0301 • Swivel Reel with Mounting Block Kit**
 • Capacity 150 feet 3/8" hose
 • 4000 PSI – 250°

#K01-0303 • Swivel Reel with Flat-Surface Mount →
 • Capacity 150 feet 3/8" hose
 • 4000 PSI – 250°



NON-SWIVEL REELS

#K01-1000 • Mini Reel →
 • Capacity 100 feet 3/8" hose
 • 4000 PSI – 250°



#K01-1026 • Mini Reel with Vertical Arm Mount →
 • Capacity 100 feet 3/8" hose
 • 4000 PSI – 250°



#K01-1025 • Mini Reel with Vertical Arm Mount and Mounting Block Kit →
 • Capacity 100 feet 3/8" hose
 • 4000 PSI – 250°



#K01-1010 • Mini Reel with Hand Carry Kit →
 NOTE: Mini Reel #K01-1000 sold separately.



STEEL EAGLE HOSE REELS:

HIGH-PRESSURE MOTORIZED REELS

Tough Standard Features

All Reels:

- Solid cross-bow stabilizers add strength and durability to your reel
- Reversible water inlet for easy adaptability to your equipment
- Pressure-rated at 4000 PSI
- Heavy-duty construction
- Durable sealed ball bearings
- Heavy-duty swivel with 325° rating
- 1/2" swivel and plumbing
- 12 VDC

Stainless Reels:

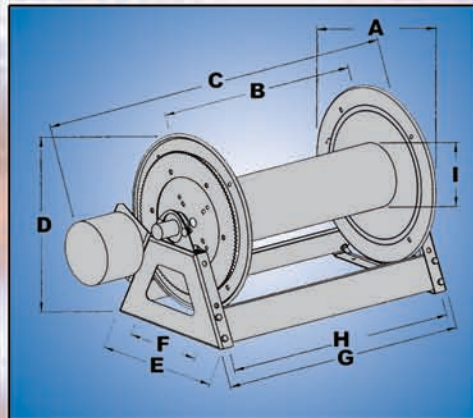
- Total non-corrosive reel
- Long-lasting polished finish

Painted Reels:

- Durable powder-coated, high-gloss automotive-quality painted finish
- Painting before assembly allows for complete coverage and a longer-lasting durable finish



#S18-22E Shown



- Custom designs available
- 18-month warranty
- Also 24-Volt and 120-Volt options available upon request

DIMENSIONS

MODEL#	A	B	C	D	E	F	G	H	I	Hose Size/ Capacity in Ft.	
										3/8"	1/2"
P18-8E	16 1/2"	8"	22 1/4"	18 1/2"	14"	10"	13 3/4"	8"	6"	160'	100'
P18-12E	16 1/2"	12"	26 1/4"	18 1/2"	14"	10"	17 3/4"	12"	6"	300'	200'
P18-18E	16 1/2"	18"	32 1/4"	18 1/2"	14"	10"	23 3/4"	18"	6"	450'	325'
P18-22E	16 1/2"	22"	36 1/4"	18 1/2"	14"	10"	27 3/4"	22"	6"	550'	400'
S18-8E	16 1/2"	8"	22 1/4"	18 1/2"	14"	10"	13 3/4"	8"	6"	160'	100'
S18-12E	16 1/2"	12"	26 1/4"	18 1/2"	14"	10"	17 3/4"	12"	6"	300'	200'
S18-18E	16 1/2"	18"	32 1/4"	18 1/2"	14"	10"	23 3/4"	18"	6"	450'	325'
S18-22E	16 1/2"	22"	36 1/4"	18 1/2"	14"	10"	27 3/4"	22"	6"	550'	400'

S - Stainless Steel
E - Electric Rewind
(optional)

P - Painted
H - Manual Hand Rewind

Motor Locations:
Standard - Right Rear

Other options available upon request.

BUILT TOUGH ... BUILT AFFORDABLE!

FIRE DIVISION



Serving America's Heroes

FIRE SERVICE BOOSTER REELS



MODEL #P23-22E

Shown with optional Rubber Mount & Guide Roller

ALL REELS:

- Solid cross-bow stabilizers add strength and durability to your reel
- Reversible water inlet for easy adaptability to your equipment
- Pressure-rated at 1000 PSI • Heavy-duty construction
- Heavy-duty swivel with 200° rating
- Durable sealed ball bearings • Custom designs available
- 18-month warranty

STAINLESS REELS:

- Non-corrosive reel
- Long-lasting polished finish

PAINTED REELS:

- Durable powder-coated high-gloss automotive-quality painted finish
- Paint before assembly allows for complete coverage and a longer-lasting durable finish



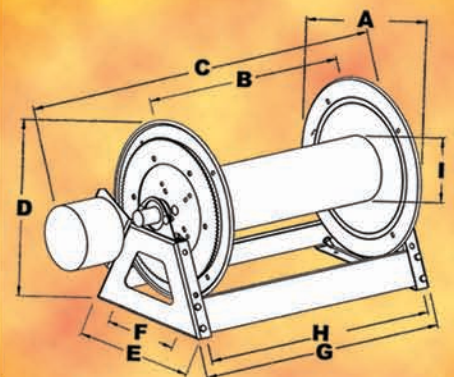
#S18-12HYD
Hydraulic Reel



Model #S18-8EC
Electric Cord Reel

Electric Cord Reels Available
(call for details)

MODEL#	DIMENSIONS									CAPACITY	
	A	B	C	D	E	F	G	H	I	1"	3/4"
P23-22E	23"	22 1/4"	36"	23 3/4"	19"	16"	29"	22"	10 3/4"	200'	300'
S23-22E	23"	22 1/4"	36"	23 3/4"	19"	16"	29"	22"	10 3/4"	200'	300'
P23-16E	23"	16 1/4"	27 3/4"	23 3/4"	19"	16"	23"	16"	10 3/4"	100'	200'
S23-16E	23"	16 1/4"	27 3/4"	23 3/4"	19"	16"	23"	16"	10 3/4"	100'	200'
P18-22E	16 1/2"	22 1/4"	32"	18 1/2"	14"	10"	27 1/2"	22"	6 1/4"	100'	200'
S18-22E	16 1/2"	22 1/4"	32"	18 1/2"	14"	10"	27 1/2"	22"	6 1/4"	100'	200'
P18-16E	16 1/2"	16 1/4"	26"	18 1/2"	14"	10"	21 1/2"	16"	6 1/4"	50'	100'
S18-16E	16 1/2"	16 1/4"	26"	18 1/2"	14"	10"	21 1/2"	16"	6 1/4"	50'	100'
P18-10E	16 1/2"	10 1/4"	20"	18 1/2"	14"	10"	15 1/2"	10"	6 1/4"	25'	50'
S18-10E	16 1/2"	10 1/4"	20"	18 1/2"	14"	10"	15 1/2"	10"	6 1/4"	25'	50'
HYDRAULIC REELS											
P18-12HYD	16 1/2"	12"	23 1/2"	18 1/2"	14"	10"	17 3/4"	12"	6"	250' twin 1/4"	
S18-12HYD	16 1/2"	12"	23 1/2"	18 1/2"	14"	10"	17 3/4"	12"	6"	250' twin 1/4"	
ELECTRIC REELS											
P18-8EC	16 1/2"	8"	21"	18 1/2"	14"	10"	13 3/4"	8"	6"	200' 12-3GA	
P18-8EC	16 1/2"	8"	21"	18 1/2"	14"	10"	13 3/4"	8"	6"	200' 12-3GA	



S - Stainless Steel

HYD - Hydraulic

Motor Locations — Standard: Left Rear
Other options available upon request.

P - Painted

H - Manual Hand Rewind (Optional)

E - Electric Rewind

*C Dimension will vary with reel capacity.

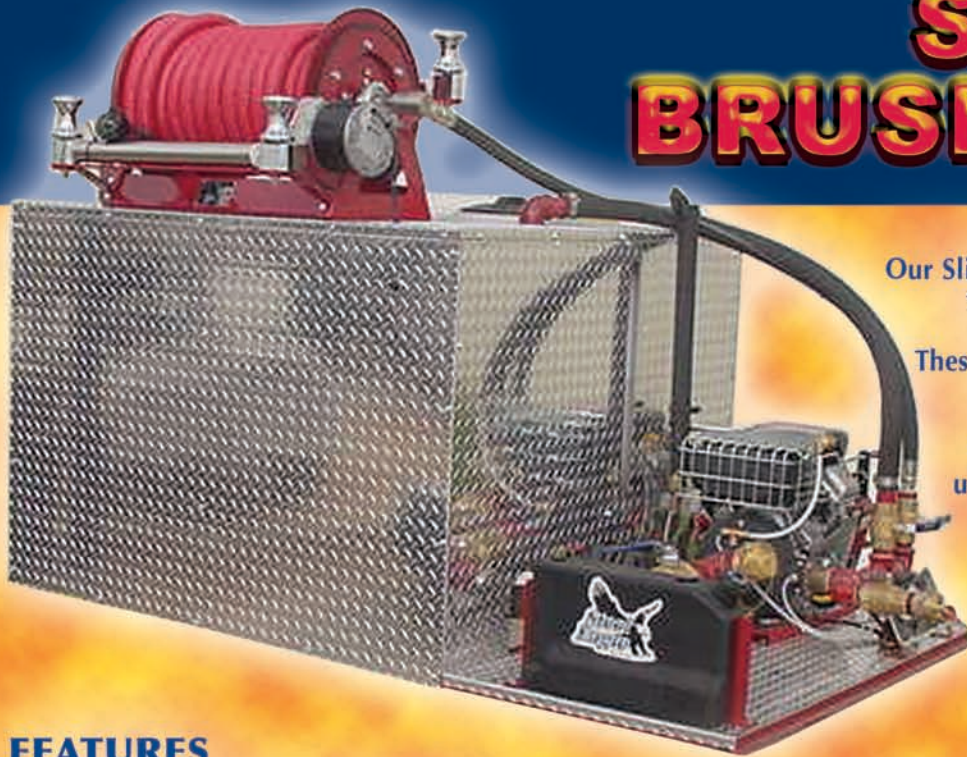
*F and *H, Bolt-Hole Locations

FIRE DIVISION

Serving America's Heroes



SLIDE-IN BRUSH UNITS



Our Slide-In Brush Unit is the latest addition to Steel Eagle's Fire Division products.

These units are built to your specifications and packed full of standard features.

Steel Eagle's unique design allows for use of the entire onboard water supply.

This unit is built with the rural fire department and rancher in mind, and is completely customizable.

FEATURES

- Full 200-Gallon Usable Tank Capacity
- 18 HP Briggs & Stratton Gas Engine
- Waterous Fire Pump
- Auxiliary Water Inlet
- Steel Eagle Electric Rewind Booster Reel
- 100' of 1" Heavy-Duty Booster Hose
- Protek 5-40 GPM Pistol Grip Nozzle
- 1 $\frac{1}{2}$ " Auxiliary Outlet
- 2 $\frac{1}{2}$ " Auxiliary Inlet
- Powder-Coat Painted 1 $\frac{1}{4}$ " Square Tube Frame
- Polished Aluminum Diamond Plate Decking
- Control Panel with Discharge Pressure Gauge, Compound Intake Pressure Gauge, Low Oil Warning Light, Start and Stop Control, Speed Control, Panel Light, and 12 VDC Outlet

Ready to slide into your truck and go!



SPECIFICATIONS

- Twin 100 Gallon Poly Tanks
- 2 $\frac{1}{2}$ " Plumbing to Pump
- Twin 3" Plumbing Between Tanks

PUMP SPECIFICATIONS

- 200 GPM Maximum
- 145 PSI Maximum
- 3-Gallon Fuel Tank with Gauge
- 2 $\frac{1}{2}$ " Auxiliary water inlet with Cap
- 1 $\frac{1}{2}$ " Auxiliary Hose Outlet



UNLEASH THE FURY!

The Fury Series of Vacuum Systems capture up to 98% of water used with no run-off or damage to surroundings!

Fury 2400 DTL/DHTL

Vacuum System and Hot High-Pressure Cleaning System in ONE COMPLETE PACKAGE!

Run independently as a vacuum unit, or as a hot high-pressure washer with the diesel-fired water heater. **The ultimate cleaning package**, this system that recovers 98% of the water it uses! Capable of cleaning and water recovery out to 600' from machine. Use indoors or out with no overspray and no containment problems. Expand your opportunities for higher-paying, environmentally-sensitive jobs and more profit.



2400 DTL shown.

STANDARD FEATURES

- High-Efficiency Vacuum Pump & Gauge
 - High Vacuum Protection with Engine Shutdown
 - Clutch-Driven High-Pressure Pump with Trigger Gun Control
 - Automatic Waste Water Pump-Out
 - Pressure Relief Valve
 - Waste Collection Bag Filter
 - Heavy-Duty Frame with Insulated Panels for Noise Reduction
 - High-Pressure Soap System
 - Emergency Stop Button
 - Durable Powder-Coat Paint
 - Hour Meter
 - Electric Start
 - 50' Vacuum Hose
 - 4 Removable Panels for Easy Service Access
 - Ampere Gauge
 - Oil Pressure Gauge
 - Forklift Pockets for Easy Maneuvering
 - Powerful 50HP Diesel Engine
 - 4 Insulated Panels for Noise Suppression and Quiet Operation
 - Plug-in Adapter for Optional Water Heater
- ONE-YEAR WARRANTY**

SPECIFICATIONS

	2400 DTL Vac System/Pressure Washer	2400 DHTL Vac System/Press. Washer Heat Chamber	
Maximum Vacuum25" HG 25" HG	
Operating Vacuum12" HG12" HG	
Max. Cleaning Tool Size 24" 24"	
Max. Hose Length 600' 600'	
Pressure Washer Specifications			
Flow Output 5.5 GPM 5.5 GPM	
Pressure Rating 3000 PSI 3000 PSI	
Max. Output Temperature N/A 180°	
Electrical Requirements			
Volts 12 VDC 12 VDC	
Engine50 HP Diesel 50 HP Diesel	
Engine Fuel Tank Size16 Gallon 16 Gallon	
Diesel-Fired Burner System			
Input BTUs N/A 400,000	
Fuel Consumption N/A 2.75 GPH	
Stack Size N/A 8"	
Diesel Fuel Tank Size N/A 16 Gallon	
Dimensions:			
Length 48"48" 30 1/2"
Width 48"48" 24"
Height60"60"43"
Weight 1750 Lbs.1750 Lbs.475 Lbs.

Accessories to do the job right! CLEAN & CAPTURE TOOLS

Recover water & debris "on the fly" from hundreds of feet away!

STANDARD FEATURES

- Floating handle for easier maneuverability
 - Stainless steel inner & outer shell
 - Bristle brush for vacuum seal
- ONE-YEAR WARRANTY**



Also available:
WALL KIT

SAND-BLASTING KIT

VAC TOOLS SPECIFICATIONS

Cleaning Path	11"	16"	24"
Maximum Pressure	4000 PSI	4000 PSI	4000 PSI
Maximum Flow	5 GPM	8 GPM	8 GPM
Max. Temperature	200° F	200° F	200° F
RPM, Maximum	2000	2000	2000
Weight	14 lbs.	35 lbs.	52 lbs.



Fury 2400

STANDARD FEATURES

- Electric Start with Maintenance-Free Battery
- High-Efficiency Vacuum Pump
- Vacuum Gauge
- High Vacuum Engine Shut-down
- Automatic Waste Water Pump Out
- Heavy-Duty Frame & Waste Tank
- Waste Collection Bag Filter
- Hour Meter
- 50' Vacuum Hose

•ONE-YEAR WARRANTY

Fury 2400 Specifications

Operating Vacuum.....	12" Hg
Max. Cleaning Tool Size..	16"
Max. Hose Length.....	200'
Engine.....	16 HP OHV
Width.....	39"
Depth.....	35"
Height.....	64"
Weight.....	590 lbs.

Fury 2200 E

STANDARD FEATURES

- High-Efficiency Vacuum Pump
- Captures up to 98% of Water Used
- Triplex Plunger High-Pressure Pump
- Trigger Gun Control
- 4 High-Pressure Nozzles: 0°, 15°, 25°, 40°
- High-Pressure Soap
- Automatic Waste-Water Pump Out
- Pressure-Relief Valve
- Pneumatic Wheels
- Heavy-Duty Tubular Frame
- 11-Gallon Soap Tank
- Durable Powder-Coat Paint
- Stainless Steel Holding Tank with Drain
- **ONE-YEAR WARRANTY**

Specifications

Operating Airflow.....	200 CFM
Maximum Cleaning Tool Size.....	16"
Maximum Hose Length.....	100'
Length: 38" Width: 30" Height: 44"	

Pressure Washer Specifications

Flow Output.....	4 GPM
Pressure Rating.....	3000 PSI

Electrical Requirements Waste/Vacuum/Pressure

Volts.....	120/120/230
Amperes.....	8.5/18/33
Phase.....	1/1/1
Electric Motor HP: Vacuum	1.5HP
Pressure Washer.....	8 HP
Waste Pump.....	.25 HP

Optional Accessories

Diesel-Fired Water Heater
Stainless Steel
 with 12-Volt DC Electrical System, Adjustable Temperature Control, Sch. 80 Coil, High-Pressure Flow Switch, Powder-Coat Paint



Pressure Washer Hose



50' Vacuum Hose



Primary Separation Tank

Cart Kit with:

- Primary Separation Tank
- Hose Reel capable of holding up to 150' of 3/8" High-Pressure Hose
- Hose Reel capable of holding up to 150' of 2" Vac Hose
- Pneumatic Wheels



High-Capacity Hose Reel

Not Shown — Heat Chamber
 with 24-Volt Electrical System, Adjustable Temperature Control, Sch. 80 Coil, High-Pressure Flow Switch

Maximize your pressure washer's effectiveness!

SURFACE SPINNER

The Steel Eagle Surface Spinner uses force generated by your pressure washer to spin 2 or 3 spray nozzles at high speeds, which maximizes cleaning on flat surfaces. It produces consistent quality and cuts cleaning time by as much as 66%. It decreases operator fatigue, so it virtually pays for itself in no time at all!

The detachable pistol and lance (available as an option) allow you to switch from Spinner operation to conventional for cleaning corners or vertical or hard-to-reach spots. A convenient lance rack holds the lance and pistol when not in use. Inset wheels with greaseable bearings allow cleaning edges and curbs while keeping cleaner on level surfaces. The front-mounted swivel caster has a Delrin bushing for easy handling and turning. The swivel is long-lasting and dependable; and durable, lightweight aluminum construction means a long life.

Competitively Priced!

ONE-YEAR WARRANTY

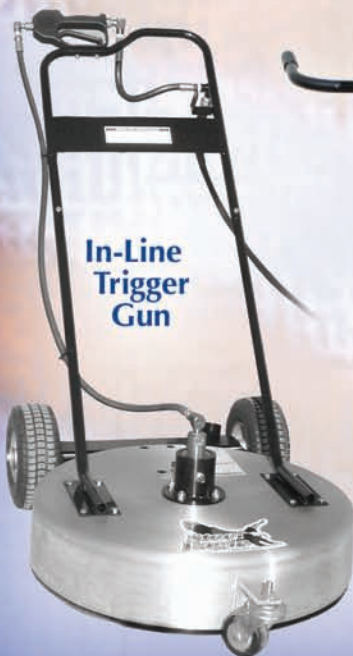


Also available:
Economically-priced
24" and 30"
Spinners
with
brass
unions!



Available as an option:
PATENTED HEIGHT ADJUSTMENT SYSTEM
on the 30" Spinner keeps the deck at a constant 3/4" off the ground while raising or lowering spray-arm assembly from 3/4" to 2 3/4" to increase or decrease impact — great for cleaning pressure-sensitive surfaces!

Surface Spinner Accessories



**In-Line
Trigger
Gun**



Y-Handle



U-Handle



2-Port Manifold



1-Port Replacement



3-Port Manifold

4-Port Manifold



Pistol Lance



Brush Skirt Kit

Smaller, lighter, & economical!

"LITTLE FLOATER" SURFACE SPINNER

Shown with optional
Trigger Guns



FEATURES

- Heavy-duty 12" or 16" floating aluminum deck
- Lightweight
- Heavy-duty construction
- 2-piece detachable handle for easy storage
- 3000 PSI maximum
- 200° F temperature
- Heavy-duty nylon brush
- Balanced spray bar
- Powder-coat painted handle
- Removable spray tips
- Heavy-duty swivel — long-lasting and dependable!
- **90-DAY WARRANTY**

These small, lightweight spinners actually "float" over the surface — just like a hover craft — so using a Little Floater is easy on the operator!

The Little Floater works with your pressure washer in two ways:

- The **force** generated spins two spray nozzles at high speed, which maximizes cleaning on many different types of surfaces.

- The **pressure** generated by the spray creates the "floating" action!

Little Floaters are ideal for small spaces and uneven surfaces: sidewalks, driveways, pool decks, patios, roofs, etc.

The applications are endless!

And there are no wheels to hang up in tight spaces or as the surface changes.

Available in 12" and 16" sizes.

Competitively Priced!

1-800-447-3924 • www.steeleagle.com

P. O. Box 919, Elk Point, SD 57025 • Fax 605/356-2144



Steel Eagle



1-800-447-3924 • www.steeleagle.com
P. O. Box 919, Elk Point, SD 57025 • Fax 605/356-2144