

HOSE REELS BUILT TOUGH... ...BUILT AFFORDABLE!

Steel Eagle

Tough Standard Features

Steel Eagle's heavy-duty features perform for any application, with any equipment!

All Reels:

- Nyrin ends
- Pressure rated to 4000 PSI
- Friction brakes
- Lock pin
- Pre-drilled mounting holes
- Heavy-duty swivel
- Maximum 325° F swivel temperature
- Easy-turn handle

Stainless Reels:

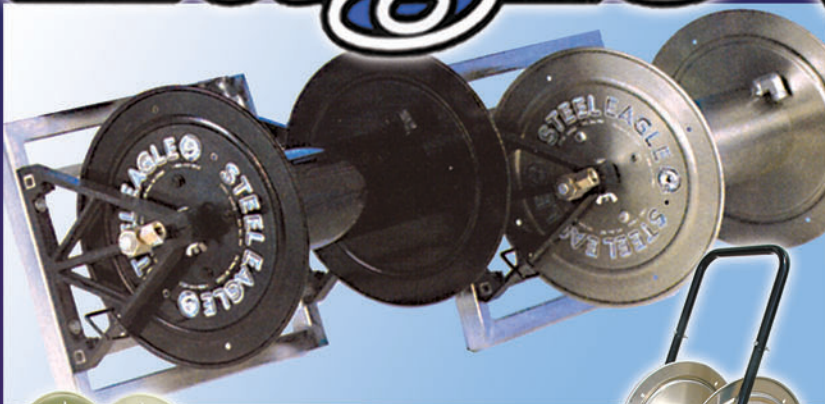
- Total non-corrosive Reel

Black Painted Reels:

- Dura-gloss paint, powder-coated
- Schedule 80 spindle pipe

Applications

- Portable Compressors
- Power Washers •Steam Cleaning
- Industrial Plants •Roofing Contractors
- Hotels, Motels, Resorts & Restaurants
- Agricultural Fertilizers & Herbicides
- Lawn Care/Grounds Maintenance
- Orchards/Tree Spraying
- Nurseries/Greenhouses
- Pest Control/Pesticides



REEL STACK KIT

- 8" - Part #K01-0149
- 12" - Part #K01-0150
- 18" - Part #K01-0151
- 22" - Part #K01-0152

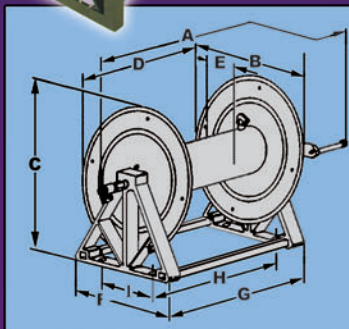
NOTE: Reels sold separately.



REEL CART KIT

Part #K01-0160

NOTE: 12" Reel sold separately.



HOSE CAPACITY

IN FEET

HOSE SIZE (I.D.)

				ALL DIMENSIONS IN INCHES										APPROX. WT. LBS.	
3/8"	1/2"	SIZE	MODEL #	"A"	"B"	"C"	"D"	"E"	"F"	"G"	"H"	"I"	NET	SHIP	
160'	100'	8"	K01-0105	20 1/2	16 1/2	18 1/2	7 1/2	6	12 1/2	11 1/2	9 7/8	7 1/2	19	25	
300'	200'	12"	K01-0106	25 3/4	16 1/2	18 1/2	12	6	12 1/2	16	14 3/8	7 1/2	21	27	
450'	325'	18"	K01-0107	31 3/4	16 1/2	18 1/2	18	6	12 1/2	22	20 3/8	7 1/2	25	31	
550'	400'	22"	K01-0108	35 3/4	16 1/2	18 1/2	22	6	12 1/2	26	24 3/8	7 1/2	27	33	

SWIVEL REELS

Swivel Reel • Reel swivels 200° to give optimum travel range for hose.

Adjustable Friction Brakes • Eliminates hose backlash when unwinding.

Heavy-Duty Performance • Swivel & plumbing rated to 4000 PSI and 250° standard. Optional swivel available for higher temperature ratings.

Easy Push/Pull Lock Pin • Prevents unwanted reel rotation when reel is not in use.

Smooth-Radius Bent Arm • Eliminates 90° bend and strengthens arm.

Locking Collar Shaft • Holds reel in place.

Durable Construction • Heavy-gauge cold-rolled metals manufacture a durable reel, capable of securely storing 150' of 3/8" high-pressure hose. *Durable powder-coated paint.*

Hose Holder • Provides the option of coupling the hose to the reel to keep it securely attached.

Double-Bearing Design with Stainless Steel Shaft • Eliminates any side movement and allows reel to turn very easily.

Hair-Pin Clip • Holds reel in place in different positions.

Easy-Mount Adapter • Easily adapts to any round or square tubing for mounting in minutes.



← **#K01-0300 • Swivel Reel**
•Capacity 150 feet 3/8" hose
•4000 PSI – 250°



#K01-2025 • Mini Swivel Reel →
•Capacity 100 feet 3/8" hose
•4000 PSI – 250°



← **#K01-0302 • Swivel Reel with Wall Mount**
•Capacity 150 feet 3/8" hose
•4000 PSI – 250



← **#K01-0301 • Swivel Reel with Mounting Block Kit**
•Capacity 150 feet 3/8" hose
•4000 PSI – 250°

#K01-0303 • Swivel Reel with Flat-Surface Mount →
•Capacity 150 feet 3/8" hose
•4000 PSI – 250°



NON-SWIVEL REELS

#K01-1000 • Mini Reel →
•Capacity 100 feet 3/8" hose
•4000 PSI – 250°



#K01-1026 • Mini Reel with Vertical Arm Mount →
•Capacity 100 feet 3/8" hose
•4000 PSI – 250°



#K01-1025 • Mini Reel with Vertical Arm Mount and Mounting Block Kit →
•Capacity 100 feet 3/8" hose
•4000 PSI – 250°



#K01-1010 • Mini Reel with Hand Carry Kit →
NOTE: Mini Reel #K01-1000 sold separately.



← **#B01-3061**
Mounts reels to AaLadin 1300 & 1400 series machines



STEEL EAGLE HOSE REELS:

HIGH-PRESSURE MOTORIZED REELS

Tough Standard Features

All Reels:

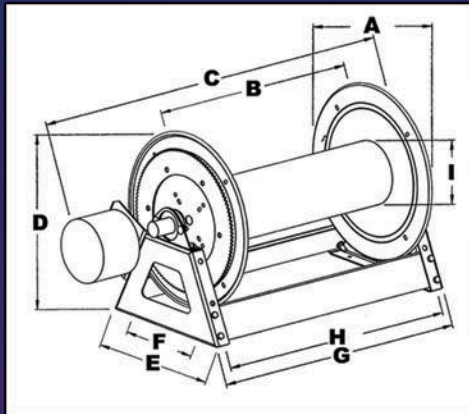
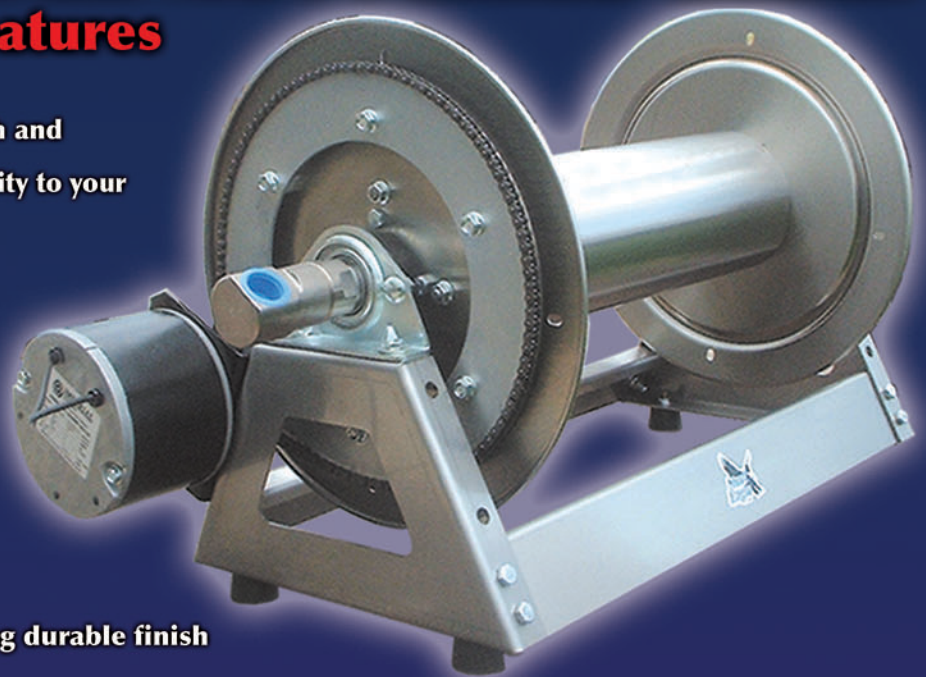
- Solid cross-bow stabilizers add strength and durability to your reel
- Reversible water inlet for easy adaptability to your equipment
- Pressure-rated at 4000 PSI
- Heavy-duty construction
- Durable sealed ball bearings
- Heavy-duty swivel with 325° rating
- 1/2" swivel and plumbing
- 12 VDC

Stainless Reels:

- Total non-corrosive reel
- Long-lasting polished finish

Painted Reels:

- Durable powder-coated, high-gloss automotive-quality painted finish
- Painting before assembly allows for complete coverage and a longer-lasting durable finish



- Custom designs available
- 18-month warranty
- 24-Volt and 120-Volt options available upon request

DIMENSIONS

MODEL#	A	B	C	D	E	F	G	H	I	Hose Size/ Capacity in Ft.	
										3/8"	1/2"
P18-8E	16 1/2"	8"	22 1/4"	18 1/2"	14"	10"	13 3/4"	12"	6"	160'	100'
P18-12E	16 1/2"	12"	26 1/4"	18 1/2"	14"	10"	17 3/4"	16"	6"	300'	200'
P18-18E	16 1/2"	18"	32 1/4"	18 1/2"	14"	10"	23 3/4"	22"	6"	450'	325'
P18-22E	16 1/2"	22"	36 1/4"	18 1/2"	14"	10"	27 3/4"	26"	6"	550'	400'
S18-8E	16 1/2"	8"	22 1/4"	18 1/2"	14"	10"	13 3/4"	12"	6"	160'	100'
S18-12E	16 1/2"	12"	26 1/4"	18 1/2"	14"	10"	17 3/4"	16"	6"	300'	200'
S18-18E	16 1/2"	18"	32 1/4"	18 1/2"	14"	10"	23 3/4"	22"	6"	450'	325'
S18-22E	16 1/2"	22"	36 1/4"	18 1/2"	14"	10"	27 3/4"	26"	6"	550'	400'

S - Stainless Steel
E - Electric Rewind
(optional)

P - Painted
H - Manual Hand Rewind

Motor Locations:
Standard - Right Rear

Other options available upon request.

BUILT TOUGH ... BUILT AFFORDABLE!



FIRE SERVICE BOOSTER REELS

BUILT TOUGH ... BUILT AFFORDABLE!



Model #P23-22E (Shown with optional Rubber Mount and Guide Roller)

Tough Standard Features

All Reels:

- Solid cross-bow stabilizers add strength and durability to your reel
- Reversible water inlet for easy adaptability to your equipment
- Pressure-rated at 1000 PSI
- Heavy-duty construction
- Durable sealed ball bearings
- Heavy-duty swivel with 200° rating
- Custom designs available
- 18-month warranty

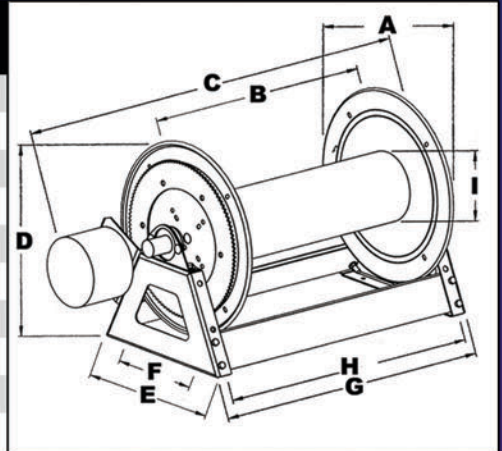
Stainless Reels:

- Total non-corrosive reel
- Long-lasting polished finish

Painted Reels:

- Durable powder-coated, high-gloss automotive-quality painted finish
- Painting before assembly allows for complete coverage and a longer-lasting durable finish

MODEL#	DIMENSIONS											
	A	B	C	D	E	F	G	H	I	1"	3/4"	
P23-22E	23"	22 1/4"	36"	23 3/4"	19"	16"	29"	27"	10 3/4"	200'	300'	
S23-22E	23"	22 1/4"	36"	23 3/4"	19"	16"	29"	27"	10 3/4"	200'	300'	
P23-16E	23"	16 1/4"	27 3/4"	23 3/4"	19"	16"	23"	21"	10 3/4"	100'	200'	
S23-16E	23"	16 1/4"	27 3/4"	23 3/4"	19"	16"	23"	21"	10 3/4"	100'	200'	
P18-22E	16 1/2"	22 1/4"	32"	18 1/2"	14"	10"	27 1/2"	25 3/4"	6 1/4"	100'	200'	
S18-22E	16 1/2"	22 1/4"	32"	18 1/2"	14"	10"	27 1/2"	25 3/4"	6 1/4"	100'	200'	
P18-16E	16 1/2"	16 1/4"	26"	18 1/2"	14"	10"	21 1/2"	19 3/4"	6 1/4"	50'	100'	
S18-16E	16 1/2"	16 1/4"	26"	18 1/2"	14"	10"	21 1/2"	19 3/4"	6 1/4"	50'	100'	
P18-10E	16 1/2"	10 1/4"	20"	18 1/2"	14"	10"	15 1/2"	13 3/4"	6 1/4"	25'	50'	
S18-10E	16 1/2"	10 1/4"	20"	18 1/2"	14"	10"	15 1/2"	13 3/4"	6 1/4"	25'	50'	



S - Stainless Steel
E - Electric Rewind

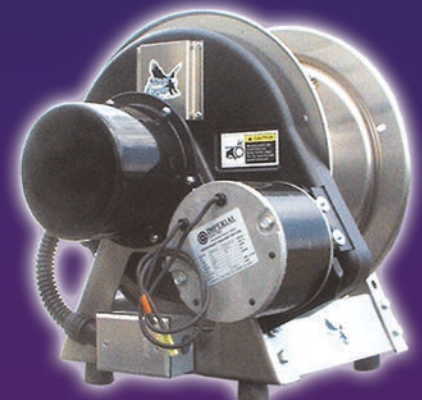
P - Painted
H - Manual Hand Rewind (optional)

Motor Locations:
Standard - Left Rear

Other options available upon request.



Model #S18-22E



Model #S18-8EC
(Electric Cord Reels Available
— Call for details!)

1-800-447-3924 • www.steeleagle.com

P. O. Box 919, Elk Point, SD 57025 • Fax 605/356-2144