

Please carefully read and save these instructions before attempting to assemble, maintain, install, or operate this product. Observe all safety information to protect yourself and others. Failure to observe the instructions may result in property damage and/or personal injury. Please keep instructions for future reference.

Important Operating Instructions



5 INCH HIGH SPEED AIR SANDER

Model: 9414

CALIFORNIA PROPOSITION 65

WARNING: You can create dust when you cut, sand, drill or grind materials such as wood, paint, metal, concrete, cement, or other masonry. This dust often contains chemicals known to cause cancer, birth defects, or other reproductive harm. Wear protective gear.

WARNING: This product or its power cord may contain chemicals, including lead, known to the State of California to cause cancer and birth defects or other reproductive harm. Wash hands after handling.

Important!

When using equipment, a few safety precautions must be observed to avoid injuries and damage. Please read the complete operating manual with due care. Keep this manual in a safe place, so that the information is available at all times. If you give the equipment to any other person, give them these operating instructions as well. We accept no liability for damage or

accidents which arise due to non-observance of these instructions and the safety information herein.

SPECIFICATIONS

Free Speed: 18,000 RPM

Air Inlet: 1/4 in.

Hose Size: 3/8 in.

Avg. Air Consumption: 4 CFM

Recommended Air Pressure:
90 PSI

This 5 inch High Speed Air Sander is a pneumatic portable tool. It is designed for light sanding jobs like feather edging and rust removal.

FEATURES

- Built-in speed regulator
- Comes complete with 3 resin fiber backing pads: 3in, 4 1/2in, 5in.
- Side Exhaust

CAUTION:

FOR YOUR OWN SAFETY, READ INSTRUCTION MANUAL COMPLETELY AND CAREFULLY BEFORE OPERATING THIS HIGH SPEED AIR SANDER.

Any failures made in following the safety regulations and instructions may result in an electric shock, fire and/or serious injury.

SAVE THIS MANUAL

You will need this manual for the safety warnings and cautions, assembly instructions, operating procedures, maintenance procedures, parts list, and diagram. Keep your invoice with this manual. Store both in a safe, dry place for future reference.

SAFETY INSTRUCTIONS

Keep work area clean and well lit. Cluttered, dim areas invite injuries.

Observe work area conditions. Do not use tool in a wet or explosive environment, especially near flame, or flammable gases, liquids, or dust.

Keep children away. Children must never be allowed in the work area. Do

For warranty purchases, please keep your dated proof of purchase. File or attach to the manual for safekeeping.

not let them handle machines, tools, or extension cords.

Store idle equipment. When not in use, lock up tools in a safe, dry place out of the reach of children.

Use the right tool for the job. Do not attempt to force a tool or attachment to do work that it was not originally intended to do.

Do not modify or alter the tool in any way.

Use proper safety protection. Always wear ANSI approved impact safety goggles. Wear a full face shield if you are producing metal filings or wood chips. Wear an ANSI approved dust mask or respirator when working around metal, wood, and chemical dust.

Do not overreach. Keep proper footing and balance at all times. Do not reach over or across running machines.

Maintain tools with care. Keep the tool clean for better and safer performance.

Inspect the tool. Before each use, check to see if there are any broken, damaged, or missing parts. Do not use if problems are found.

Disconnect power. Disconnect the tool from the air compressor when not in use and before changing accessories, maintaining, repairing, or cleaning.

Remove adjusting keys and

wrenches before connecting to the power source.

Avoid unintentional starting. Make sure that the air compressor switch is in the OFF position when not in use and before connecting to the tool. Do not carry any tool with your finger on the trigger.

Stay alert. Watch what you are doing; use common sense. Do not use while tired or under the influence of drugs, alcohol, or medication. Read warning labels on prescriptions to determine if your judgment or reflexes are impaired while taking drugs. If there is any doubt, do not operate the tool.

Take caution as some wood contains preservatives such as copper chromium arsenate (CCA) that can be toxic. When cutting these materials, extra care should be taken to avoid inhalation and minimize skin contact.

Check for damaged parts. Before using any tool, any part that appears damaged should be carefully checked to determine that it will operate properly and perform its intended function. Check for misalignment or binding of moving parts, breakage of parts, and any other condition that affects the tool's operation. If damaged, have the tool serviced before using. Replace the tool or have it repaired by an authorized service center. Many accidents are caused by poorly maintained tools or air hose.

Do not use the tool if the trigger does not turn the tool on or off. Any tool that cannot be controlled with the trigger is dangerous and must be repaired.

Guard against electric shock. Prevent bodily contact with grounded surfaces such as pipes, radiators, ranges, and refrigerator enclosures.

Replacement parts and accessories. When servicing, use only identical replacement parts. Use of any other parts will void the warranty. Only use accessories intended for use with this tool. All accessories must be rated at 18,000 RPM or greater. Before each use, inspect the accessory for damage or excess wear. Never use a damaged or worn out accessory.

Use proper size and type of extension cord. If an extension cord is required for the compressor, it must be of the proper size and type to supply the correct current to the tool without heating up. Otherwise, the extension cord could melt and catch fire, or cause electrical damage to the tool.

Maintenance. For your safety, service and maintenance should be performed regularly by a qualified technician.

Use clean, dry, regulated, compressed air at 90 PSI. Do not exceed the recommended 90 PSI. Never use oxygen, carbon dioxide, combustible

gases, or any other bottled gas as a power source for this tool.

Do not use grinding discs, grinding wheels, or cut-off wheels with this tool. This tool has no safety shield.

NOTE: Performance of the compressor powering this tool (if powered by line voltage) may vary depending on variations in local line voltage. Extension cord usage may also affect compressor performance.

WARNING

The warnings, cautions, and instructions discussed in this instruction manual cannot cover all possible conditions and situations that may occur. It must be understood by the operator that common sense and caution are factors that cannot be built into this product, but must be supplied by the operator.

OPERATION

NOTE: To connect this tool, we recommend a quick coupler/adaptor (not included). For smoother operation, put 3-5 drops of pneumatic tool oil in the hose joint before each use.

SETUP

1. Set the compressor's pressure regulator at 90 PSI. Do not set the compressor's outlet regulator over 90 PSI.
2. Connect the sander to the

air compressor's hose. If leaking is detected, disconnect the air hose and repair before use.

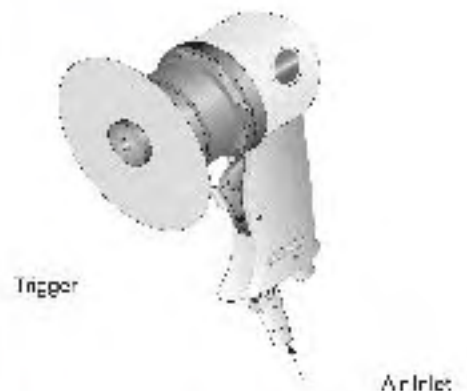
SANDING

1. Identify the area you will be sanding. Make sure you are using the appropriate grit sandpaper for the material you will be working with.
2. It is recommended that you start the sander before placing the sandpaper disc onto the work surface. This will reduce deep scratching on the surface.
3. To operate the sander, grip the body with your palm and place pressure on the trigger to begin sanding.
4. You can vary the speed of the sander to suit different sanding applications by varying the pressure placed on the trigger.
5. It is recommended that you sand in a random pattern to avoid sanding side to side on your work surface. Do not sand any one area too heavily or for more than a few seconds at a time.
6. Every few minutes during continuous sanding, check the condition and wear of the sandpaper. If necessary, peel and replace the sandpaper. Do not use torn or severely worn sandpaper, as it may damage your work surface or cause personal injury.
7. When you are done

sanding, remove the sander from the work surface and release pressure on the trigger to stop the sander.

MAINTENANCE

1. Disconnect the sander from the air supply.
2. Apply a few drops of Pneumatic Tool Oil through the air line before each use, or every hour if used continuously.
3. Apply a few drops of oil to the trigger as shown in the Figure below. Work the trigger a few times to lubricate.



CAUTION: Do not use detergent oil or additives as these lubricants will cause accelerated wear to the seals in the tool.

Limited Manufacturer Warranty

North American Tool (NAT) Industries makes every effort to ensure that this product meets high quality and durability standards. NAT warrants to the original retail consumer a 1-year limited warranty from the date the product was purchased at retail and each product is free from defects in materials. Warranty does not apply to defects due directly or indirectly to misuse, abuse, negligence, or accidents, repairs or alterations, or a lack of maintenance. NAT shall in no event be liable for death, injuries to persons or property, or for incidental, special, or consequential damages arising from the use of our products. To receive service under warranty, the original manufacturer part must be returned for examination by an authorized service center. Shipping and handling charges may apply. If a defect is found, NAT will either repair or replace the product at its discretion.

DO NOT RETURN TO STORE

For Customer Service:

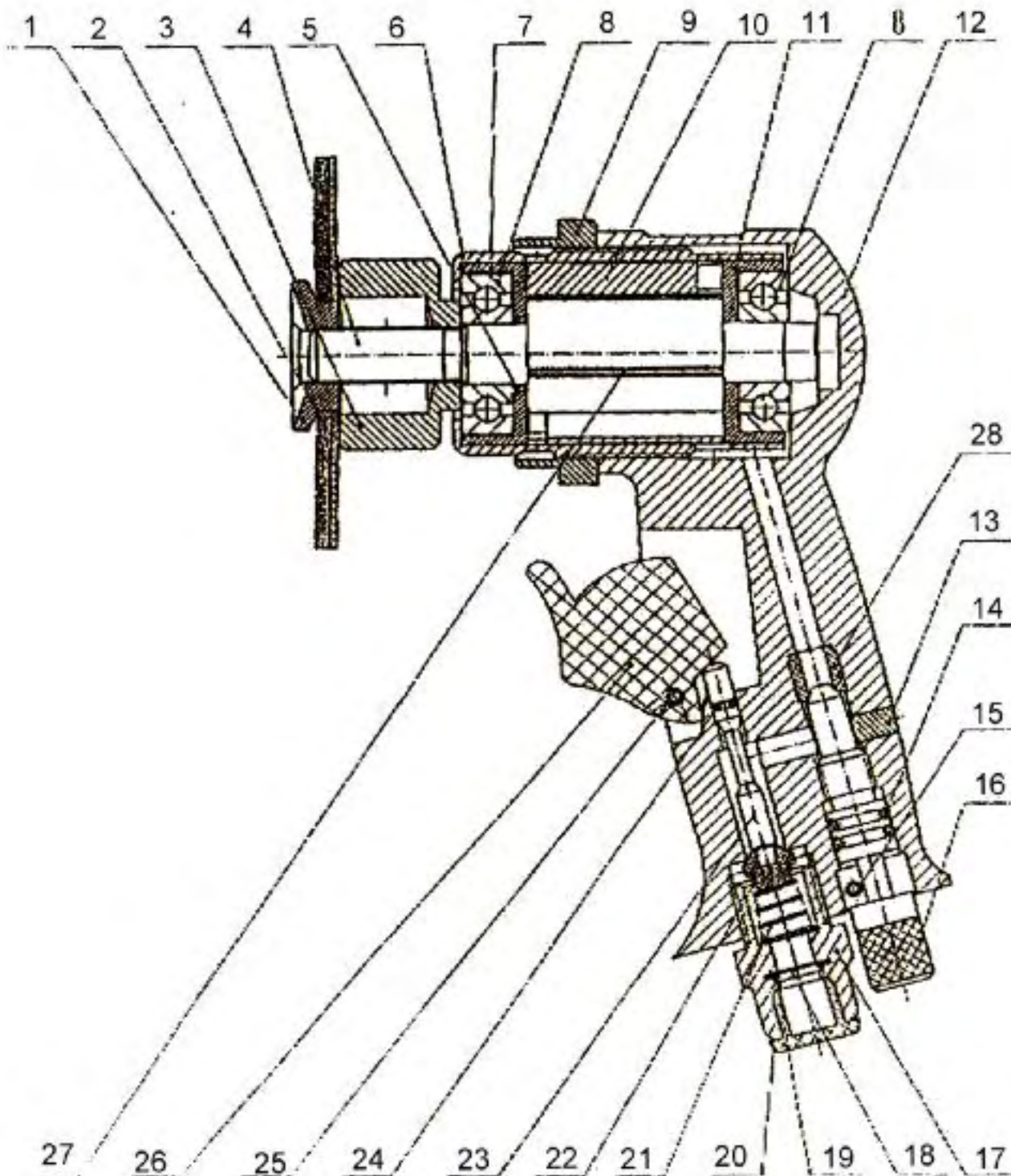
Email: feedback@natitools.com or Call 1-800-348-5004



5 INCH HIGH SPEED AIR SANDER

Model: 9414

Parts List



Call 1-800-348-5004 for assistance or replacement parts

Please provide the following information:

- Model number
- Part description and number as shown in parts list
- Serial number (if any)

Address any correspondence to:

North American Tool Industries
84 Commercial Rd
Huntington, IN 46750

| No. | Description | QTY. |
|-----|--------------------------|------|
| 1 | Grinding Wheel Depressor | 1 |
| 2 | Grinding Wheel Washer | 1 |
| 3 | Depressing Nut | 1 |
| 4 | Armature | 1 |
| 5 | Spacer | 1 |
| 6 | Socket | 1 |
| 7 | Front Plate | 1 |
| 8 | Bearing 6201 | 2 |
| 9 | Nut | 1 |
| 10 | Cylinder | 1 |
| 11 | Rear Plate | 1 |
| 12 | Housing | 1 |
| 13 | Sealing Nut | 1 |
| 14 | O-Ring | 2 |

| No. | Description | QTY. |
|-----|----------------------|------|
| 15 | Spring Bolt | 1 |
| 16 | Inlet Regulator | 1 |
| 17 | Inlet Fitting | 1 |
| 18 | Net Frame | 1 |
| 19 | Depressing Ring | 1 |
| 20 | Plastic Cap | 1 |
| 21 | Inlet Spring | 1 |
| 22 | Air Switch | 1 |
| 23 | Inlet Switch Axle | 1 |
| 24 | O-Ring | 1 |
| 25 | Bolt 03x14 | 1 |
| 26 | Inlet Switch Trigger | 1 |
| 27 | Fan | 4 |
| 28 | Seal Ring | 1 |