

Please carefully read and save these instructions before attempting to assemble, maintain, install, or operate this product. Observe all safety information to protect yourself and others. Failure to observe the instructions may result in property damage and/or personal injury. Please keep instructions for future reference.

Important Operating Instructions



2-IN-1 DIE GRINDER/CUT OFF TOOL

Model: 9408

CALIFORNIA PROPOSITION 65

WARNING: You can create dust when you cut, sand, drill or grind materials such as wood, paint, metal, concrete, cement, or other masonry. This dust often contains chemicals known to cause cancer, birth defects, or other reproductive harm. Wear protective gear.

WARNING: This product or its power cord may contain chemicals, including lead, known to the State of California to cause cancer and birth defects or other reproductive harm. Wash hands after handling.

Important!

When using equipment, a few safety precautions must be observed to avoid injuries and damage. Please read the complete operating manual with due care. Keep this manual in a safe place, so that the information is available at all times. If you give the equipment to any other person, give them these operating instructions as well. We accept no liability for damage or accidents which arise due to

non-observance of these instructions and the safety information herein.

SPECIFICATIONS

Air Inlet: 1/4 inch NPT

Air Pressure: 90 PSI

Air Consumption: 4 CFM

No Load Speed: 22,000 RPM

Collets: 1/4 inch and 1/8 inch

Designed for all your grinding, cutting, polishing, deburring, and smoothing needs.

CAUTION:

FOR YOUR OWN SAFETY, READ INSTRUCTION MANUAL COMPLETELY AND CAREFULLY BEFORE OPERATING THIS AIR DIE GRINDER/CUT OFF TOOL.

Any failures made in following the safety regulations and instructions may result in electric shock, fire and/or serious injury.

SAFETY INSTRUCTIONS

WARNING

When using this tool, basic safety precautions should always be followed to reduce the risk of personal injury and damage to equipment. Read all instructions before using this tool.

Work area conditions.

Cluttered, dim areas invite injuries. Keep workspace clean and well lit.

Additional work area

conditions. Do not use this tool in a damp or wet location. Do not expose to rain.

Keep children away.

Children must never be allowed in the work area. Do not let them handle machines, tools, or extension cords.

For warranty purchases, please keep your dated proof of purchase. File or attach to the manual for safekeeping.

Store idle equipment. When not in use, tools must be stored in a safe, dry location out of the reach of children.

Use the right tool for the job. Do not attempt to force a

tool or attachment to do work that it was not intended. This tool was designed for certain applications and will do the job better and safer doing what it was designed to do.

Do not modify or alter the tool in any way.

Dress properly. Do not wear loose clothing or jewelry as they can be caught in moving parts. Protective, electrically non-conductive clothes, and non-skid footwear are recommended when working. Contain long hair.

Use proper eye protection. Always wear ANSI approved impact safety glasses underneath a full face shield during use. Also, wear heavy duty work gloves.

Do not overreach. Keep proper footing and balance at all times. Proper footing and balance enables better control of the tool in unexpected situations.

Maintain tools with care. Keep tools sharp and clean for better and safer performance. Follow instructions for lubricating and changing accessories. The handles must be kept clean, dry, and free from oil and grease at all times.

Remove adjusting keys and wrenches. A wrench or a key that is left attached to a rotating part of the tool when it is turned on increases the risk of personal injury.

Stay alert. Watch what you are doing and use common sense when operating this tool. Do not use this tool while tired or under the influence of drugs, alcohol, or medication. A moment of inattention while operating this tool increases the risk of injury. Read warning labels on prescriptions to determine if your judgment or reflexes are impaired while taking the drugs. If there is any doubt, do not operate this tool.

Check for damaged parts. Before using any tool, any part that appears to be damaged should be carefully checked to determine that it will operate properly and perform its intended function. Any part that is damaged should be replaced before use.

Replacement parts and accessories. When servicing a tool, use only identical replacement parts. Use of any other parts will void the warranty. Only use with accessories intended for use with this tool.

WARNING

The warnings, cautions and instructions discussed in this instruction manual cannot possibly cover all conditions and situations that may occur. It

must be understood that common sense and caution are factors that cannot be built into this product, but must be supplied by the operator.

UNPACKING

When unpacking this tool:

- Carefully remove the tool and accessories from the box. Make sure that all the items listed in the packing list are included.
- Inspect the tool carefully to make sure that no breakage or damage has occurred during shipping.
- Do not discard the packing material until you have carefully inspected and satisfactorily operated the tool.

WARNING

If any part is missing, do not operate the tool until the missing parts are replaced. Failure to do so could result in possible serious personal injury.

PACKING LIST

- 1 combination air tool
- 1 each: 1/4 inch and 1/8 inch collets
- 2 cutting wheels (3 inch)
- 10 mounted stones
- 1 safety guard
- 2 open end wrenches
- 1 cutting wheel shank
- 1 hex wrench
- 1 nipple
- 1 blow mold case

OPERATION

Preparing the tool for use

Air supply

1. Make sure the compressor being used with the air tool supplies adequate output (CFM).
2. Equip the air compressor intake with a replaceable air filter that can easily be cleaned.
3. Keep the air hose away from heat, oil, and sharp edges. Before use, check hose for wear and make sure all connections are secure.

FITTING THE GRINDING BIT

WARNING

Disconnect the tool from the air supply before changing the grinding bit.

1. Use the enclosed wrenches to loosen the collet locking collar.
2. Insert the grinding bit and re-lock the collar.

OPERATING INSTRUCTIONS

WARNING

Do not allow the grinder to free run for an extended period, as this will shorten the life of the tool.

1. Connect the grinder to the air supply.
2. To start, hold the tool firmly

in your hand and push the trigger locking lever forward.

3. The bit must be running at its maximum speed before attempting to grind the work piece.

4. Slowly and smoothly, bring the grinding bit toward the work piece, avoiding jerky movements. Exert adequate pressure on the die grinder to grind according to the type and size material you are working with. Avoid subjecting the bit to excessive strain or harsh impact. Always hold the die grinder firmly, and ease the grinding bit against the work piece. Maintain a controlled, adequate pressure.

MAINTENANCE

WARNING

Disconnect the grinder from the air supply before changing accessories, servicing, or performing any maintenance.

- Lubricate the air grinder daily with a light oil containing rust inhibitors, such as SAE #5W or SAE #10W. Do not use detergent oil.
- Clean the tool after use.
- When not in use, disconnect from the air supply, clean the grinder, and store in a safe, dry location out of the reach of children.

Troubleshooting Guide

Symptom	Corrective Action
The tool is not performing to specifications	Check if the air compressor has the proper CFM output to support the air tool
	Check the compressor regulator settings
	Check if the air transmission lines are too small
	Check if the hose fittings and couplings are too small
Reduction in tool performance	Air hose is too long. Excessive air hose length can cause a drop in air pressure
	Dirt or water in air system. Clean well before using.
	Poor maintenance practices such as using excessive air pressure or air volume.
	Improper or no lubrication. See MAINTENANCE for proper care

Limited Manufacturer Warranty

North American Tool (NAT) Industries makes every effort to ensure that this product meets high quality and durability standards. NAT warrants to the original retail consumer a 1-year limited warranty from the date the product was purchased at retail and each product is free from defects in materials.

Warranty does not apply to defects due directly or indirectly to misuse, abuse, negligence, or accidents, repairs or alterations, or a lack of maintenance. NAT shall in no event be liable for death, injuries to persons or property, or for incidental, special, or consequential damages arising from the use of our products. To receive service under warranty, the original manufacturer part must be returned for examination by an authorized service center. Shipping and handling charges may apply. If a defect is found, NAT will either repair or replace the product at its discretion.

DO NOT RETURN TO STORE

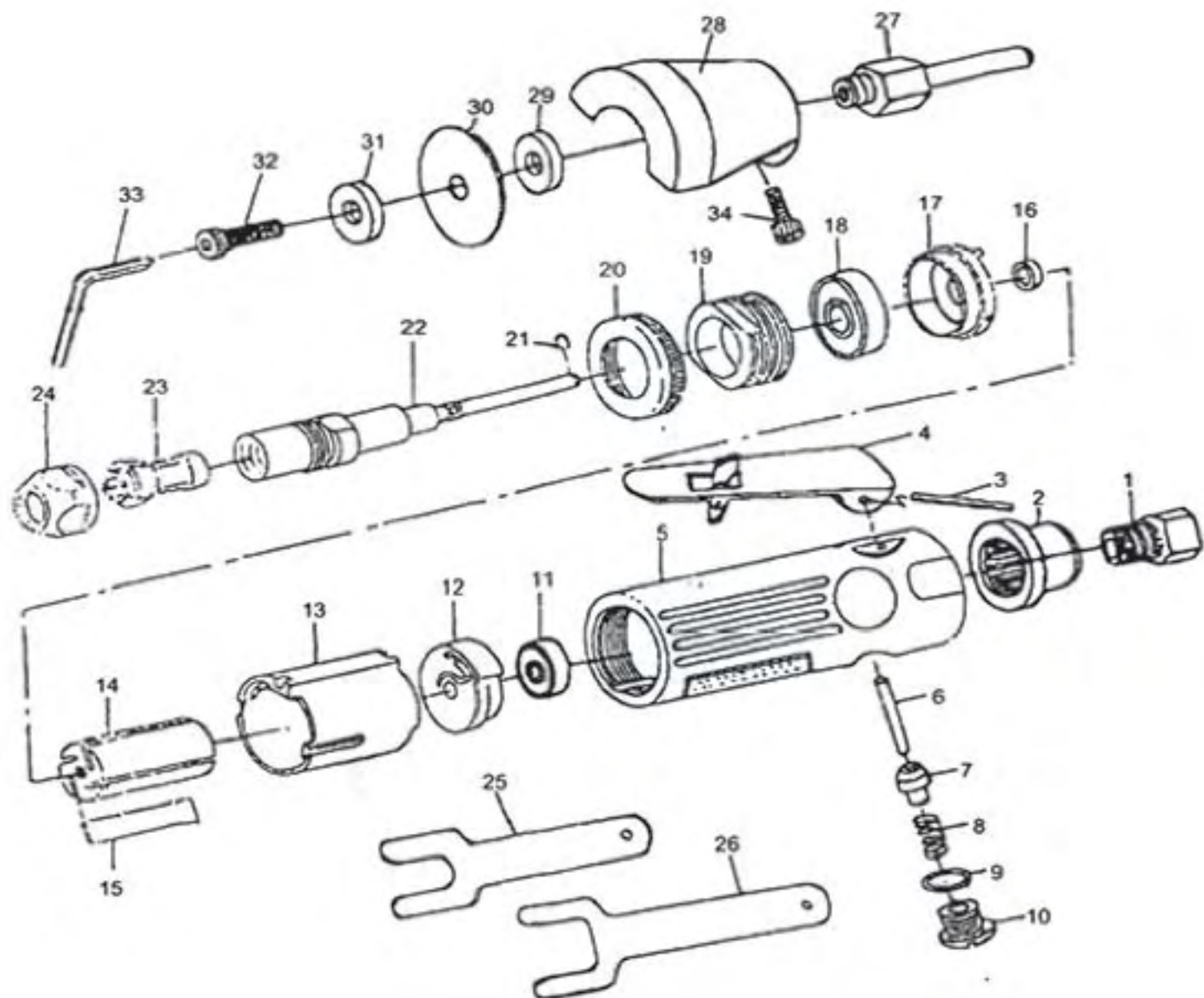
For Customer Service:

Email: feedback@natitools.com or Call 1-800-348-5004

2-IN-1 DIE GRINDER/CUT OFF TOOL

Model: 9408

Parts List



Call 1-800-348-5004 for assistance or replacement parts

Please provide the following information:

- Model number
- Part description and number as shown in parts list
- Serial number (if any)

Address any correspondence to:

North American Tool Industries
84 Commercial Rd
Huntington, IN 46750

No.	Description	Quantity
1	Inlet	1
2	Exhaust Deflector	1
3	Pin	1
4	Trigger	1
5	Housing	1
6	Valve Pin	1
7	Valve	1
8	Spring	1
9	O-Ring	1
10	Valve Screw	1
11	Ball Bearing	1
12	Rear Plate	1
13	Cylinder	1
14	Rotor	1
15	Rotor Blade	1
16	Bearing Spacer	1
17	Front Plate	1

No.	Description	Quantity
18	Ball Bearing	1
19	Nut	1
20	Cap	1
21	Washer	1
22	Spindle	1
23	Collet	1
24	Collet Nut	1
25	Spanner	1
26	Spanner	1
27	Shank	1
28	Safety Guard	1
29	Washer	1
30	Cutting Wheel	1
31	Washer	1
32	Hex Screw	1
33	Allen Wrench	1
34	Hex Screw	1