

Please carefully read and save these instructions before attempting to assemble, maintain, install, or operate this product. Observe all safety information to protect yourself and others. Failure to observe the instructions may result in property damage and/or personal injury. Please keep instructions for future reference.

## Important Operating Instructions



### 1/4 INCH DIE GRINDER

**Model: 7630**

#### CALIFORNIA PROPOSITION 65

**WARNING:** You can create dust when you cut, sand, drill or grind materials such as wood, paint, metal, concrete, cement, or other masonry. This dust often contains chemicals known to cause cancer, birth defects, or other reproductive harm. Wear protective gear.

**WARNING:** This product or its power cord may contain chemicals, including lead, known to the State of California to cause cancer and birth defects or other reproductive harm. Wash hands after handling.

#### Important!

When using equipment, a few safety precautions must be observed to avoid injuries and damage. Please read the complete operating manual with due care. Keep this manual in a safe place, so that the information is available at all times. If you give the equipment to any other person, give them these operating instructions as well. We accept no liability for damage or

accidents which arise due to non-observance of these instructions and the safety information herein.

#### SPECIFICATIONS

**No-Load Speed:** 20,000 RPM

**Working Pressure:** 90 PSI

**Air Consumption:** 4 CFM

**Air Inlet:** 1/4 inch

**Collet Size:** 1/4 in. and 1/8 in.

**Air Hose:** 3/8 in.

#### CAUTION:

**FOR YOUR OWN SAFETY, READ INSTRUCTION MANUAL COMPLETELY AND CAREFULLY BEFORE OPERATING THIS 1/4 INCH DIE GRINDER.**

**Any failures made in following the safety regulations and instructions may result in an electric shock, fire and/or serious injury.**

#### SAVE THIS MANUAL

You will need this manual for the safety warnings and cautions, assembly instructions, operating procedures, maintenance procedures, troubleshooting, parts list, and diagram. Keep your invoice with this manual. Keep this manual and invoice in a safe, dry place for future reference.

#### SAFETY INSTRUCTIONS

##### WARNING

When using this tool, basic safety precautions should always be followed to reduce the risk of personal injury and equipment damage.

##### WORK AREA

**Keep work area clean and well lit.** Cluttered, dim areas invite injuries.

**Observe work area conditions.** Do not use this tool in wet or explosive environments, especially near flame or flammable gases, liquids, or dust.

For warranty purchases, please keep your dated proof of purchase. File or attach to the manual for safekeeping.



**Keep children away.** Children must never be allowed in the work area. Do not let them handle machines, tools, or extension cords.

## PERSONAL SAFETY

**Stay alert.** Watch what you are doing; use common sense. Do not use while tired or under the influence of drugs, alcohol, or medication. Read warning labels on prescriptions to determine if your judgment or reflexes are impaired while taking drugs. If there is any doubt, DO NOT operate the tool.

**Use proper safety protection.** Always wear ANSI approved impact safety goggles. Wear a full face shield if you are producing metal filings or wood chips. Wear a NIOSH approved dust mask or respirator when working around metal, wood, and chemical dust.

**Dress properly.** Do not wear loose clothing or jewelry. Keep long hair pulled back. Keep hair, clothing, and gloves away from moving parts. Loose clothes, jewelry, or long hair increases the risk of injury to persons as a result of being caught in moving parts.

**Avoid unintentional starting.** Be sure the trigger is off before connecting the air supply. Do not carry the tool with your finger on the trigger or connect the tool to the air supply with the trigger depressed. Do not carry the tool by the hose or yank the hose to disconnect it

from the air supply.

**Remove adjusting keys and wrenches before turning the tool on.** A wrench or a key that is left attached to a rotating part of the tool increases the risk of personal injury.

**Do not overreach.** Keep proper footing and balance at all times. Proper footing and balance enables better control of the tool in unexpected situations.

## TOOL USE AND CARE SAFETY

**Use clamps or another practical way to secure and support the work piece to a stable platform.** Holding the work by hand or against the body is unstable and may lead to a loss of control.

**Do not force the tool.** Use the correct tool for the application. The correct tool will do the job better and safer at the rate for which the tool is designed.

**Do not use the tool if the trigger does not turn the tool on or off.** Any tool that cannot be controlled with the trigger is dangerous and must be repaired.

**Disconnect the tool from the air source before making any adjustments, changing accessories, or storing the tool.** Such preventative safety measures reduce the risk of starting the tool unintentionally.

**Store the tool when it is idle, out of reach of children and other untrained users.**

**Maintain tool with care.** Keep

the tool clean for better and safer performance. If the tool is damaged, DO NOT USE.

**Check for damaged parts.** Before using any tool, any part that appears damaged should be carefully checked to determine that it will operate properly and perform its intended function. Check for misalignment or binding of moving parts, breakage of parts, and any other condition that may affect the tool's operation. If damaged, have the tool serviced before using. Replace the tool or have it repaired by an authorized service center. Many accidents are caused by poorly maintained tools or air hose.

**Use only accessories that are designed for the specific tool.** Use of an accessory not intended for use with the specific tool, increases the risk of injury to persons.

## TOOL SERVICE SAFETY

**Tool service must be performed only by a qualified repair personnel.**

**When servicing a tool, use only identical replacement parts.** Use only authorized parts.

## SPECIFIC SAFETY RULES

**Maintain labels and nameplates on the tool.** These carry important information. If unreadable or missing, contact your service representative for a replacement.



Use clean, dry, regulated, compressed air between 70 and 90 PSI. Do not exceed the recommend 90 PSI. Never use oxygen, carbon dioxide, combustible gases, or any other bottled gas as a power source for this tool.

#### Disconnect power.

Disconnect the tool from the air compressor when not in use and before changing accessories, maintaining, repairing, or cleaning

## ASSEMBLY AND OPERATING INSTRUCTIONS

**NOTE:** For additional information regarding the parts listed in the following pages, refer to the DIAGRAM and PARTS LIST at the end of this manual.

### BEFORE USE

To maintain maximum performance of the air tool, it must be lubricated each time it is used. Dust, dirt, rust, and oil residue will build up inside the tool and reduce the performance. The tool should be lubricated manually through the air inlet fitting.

1. Disconnect the air tool from the air supply.
2. Turn the tool upside down and while depressing the trigger, add 2 drops of the Air Tool Oil (not included) into the air inlet fitting of the Die Grinder.

## ATTACH A QUICK CONNECTOR

### WARNING

Before making any adjustments, or performing any maintenance to the tool, make sure that the tool is disconnected from the air supply.

Prior to use, the Die Grinder requires the attachment of a Quick Connector into the air inlet. To do so, wrap approximately 3 inches of pipe thread sealer tape (not included) around the male threads of a Quick Connector. Then, firmly tighten the Quick Connector into the Air Inlet.

## TO OPERATE THE DIE GRINDER

### WARNING

Always wear ANSI approved safety glasses, a full face shield, and hearing protection when operating the Die Grinder.

1. Loosen the Collet Nut with the Collet Wrenches (provided) by placing one collet wrench on the flats of the Collet Nut and turn to loosen (see Figure 1).
2. Insert the Collet into the Spindle (see Figure 1).
3. Insert the 1/4 inch diameter shank of a Grinding drum (not included) fully into the Collet. Then, firmly retighten the Collet Nut to lock both the Collet and Grinding Drum in place (see Figure 1).

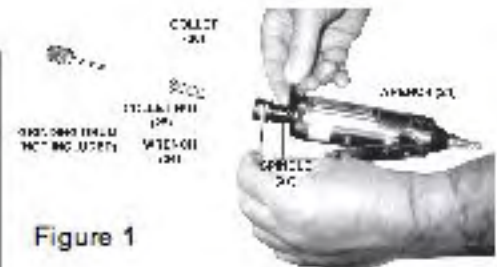


Figure 1

4. Connect the air supply hose to the Quick Connector on the Die Grinder. Turn the air compressor ON, and set its regulator to the recommended 90 PSI for the Die Grinder.

### WARNING

Grip the Die Grinder firmly, using both hands, if necessary.

5. Trip the Safety with your finger. Then slowly apply hand pressure to the Trigger until the desired speed is obtained (see Figure 2).

**NOTE:** The Die Grinder always turns the Grinding Drum clockwise.



Figure 2

6. With a firm grip on the Die Grinder, lightly apply the Grinding Drum to the work piece, slowly and steadily moving the Grinding Drum to the right and left until you have achieved the desired appearance (finish) on the work piece.
7. Once the work is completed, release hand pressure on the Trigger. The Safety will automatically return to its



locked position to prevent the Trigger from accidentally being activated (see Figure 2).

8. Turn off the air compressor. Trip the Safety with your finger, and slowly squeeze the Trigger to release any remaining air pressure from the Die Grinder. Then, disconnect the air hose from the tool.

9. Remove the Grinding Drum from the Die Grinder. Then, store the tool in a clean, dry location out of the reach of children.

## **INSPECTION, MAINTENANCE, AND CLEANING**

### **WARNING**

Make sure the Die Grinder is disconnected from its air supply before performing any inspection, maintenance, or cleaning procedures.

**1. BEFORE EACH USE,** inspect the general condition of the tool. Check for loose screws, misalignment, or binding of moving parts, cracked or broken parts, damaged air hose, and any other condition that may affect its safe operation. If abnormal noise or vibration occurs, have the problem corrected before further use.

### **WARNING**

Do not use damaged equipment.

**2. DAILY:** With a clean cloth, remove all dirt, oil, and grease from the Die Grinder. If necessary, you may use a mild detergent. Do not use solvents, as damage to the Die Grinder may occur. Do not immerse the Die Grinder in any liquids.

---

## **Limited Manufacturer Warranty**

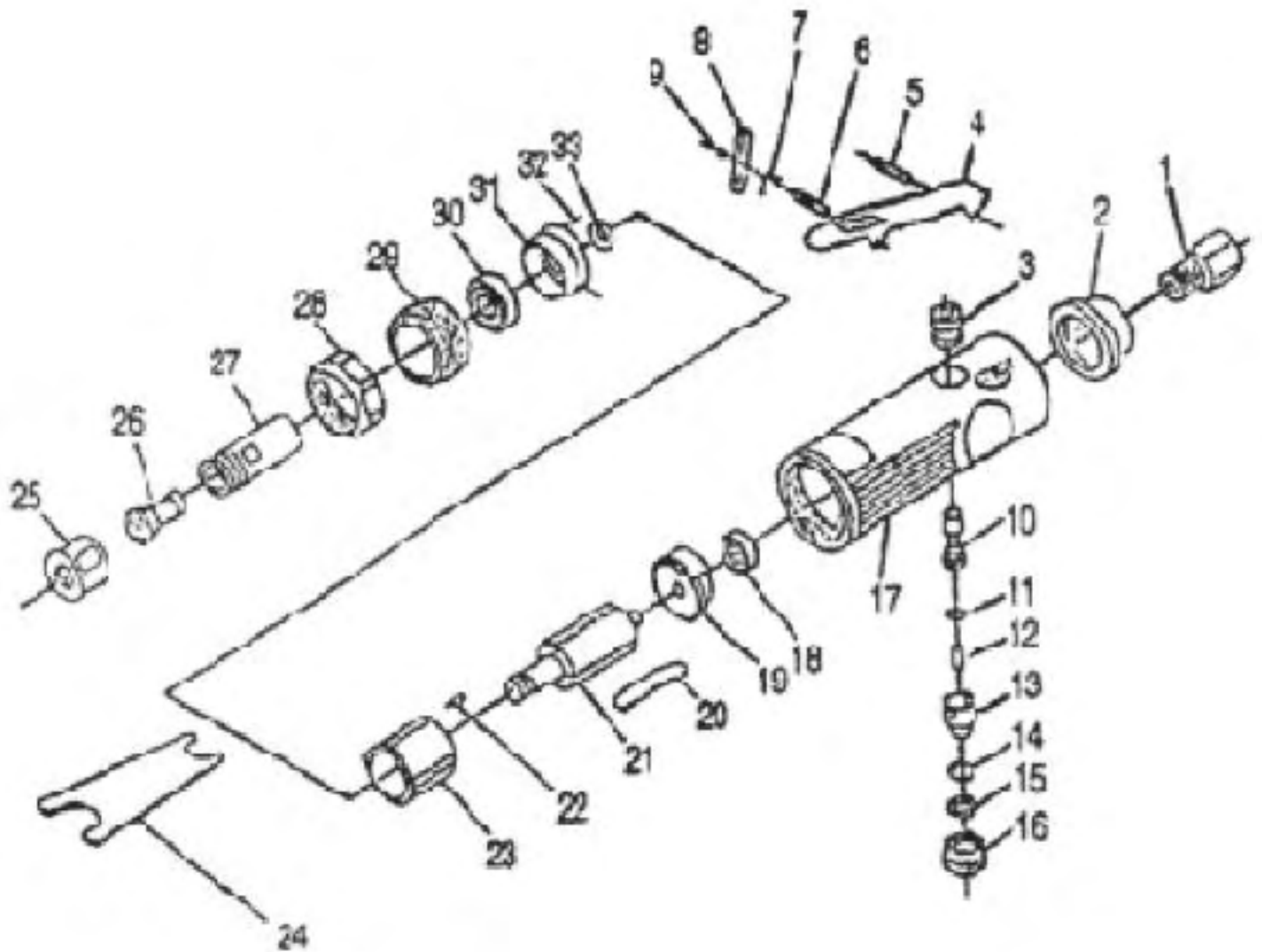
*North American Tool (NAT) Industries makes every effort to ensure that this product meets high quality and durability standards. NAT warrants to the original retail consumer a 1-year limited warranty from the date the product was purchased at retail and each product is free from defects in materials. Warranty does not apply to defects due directly or indirectly to misuse, abuse, negligence, or accidents, repairs or alterations, or a lack of maintenance. NAT shall in no event be liable for death, injuries to persons or property, or for incidental, special, or consequential damages arising from the use of our products. To receive service under warranty, the original manufacturer part must be returned for examination by an authorized service center. Shipping and handling charges may apply. If a defect is found, NAT will either repair or replace the product at its discretion.*

## **DO NOT RETURN TO STORE**

For Customer Service:

Email: [feedback@natitools.com](mailto:feedback@natitools.com) or Call 1-800-348-5004

## Parts List





## Call 1-800-348-5004 for assistance or replacement parts

Please provide the following information:

- Model number
- Part description and number as shown in parts list
- Serial number (if any)

Address any correspondence to:

North American Tool Industries  
84 Commercial Rd  
Huntington, IN 46750

No.	Description	Qty.
1	Air Inlet	1
2	Exhaust Deflector	1
3	Valve	1
4	Trigger	1
5	Roll Pin	1
6	Roll Pin	1
7	Spring	1
8	Safety	1
9	Washer	1
10	Throttle Valve	1
11	O-Ring	1
12	Spring	1
13	Air Regulator	1
14	O-Ring	1
15	O-Ring	1
16	Valve Screw	1
17	Housing	1

No.	Description	Qty.
18	Bearing	1
19	Rear End Plate	1
20	Rotor Blade	4
21	Rotor	1
22	Roll Pin	1
23	Cylinder	1
24	Wrench	2
25	Collet Nut	1
26	Collet	1
27	Spindle	1
28	Housing Cap	1
29	Joint	1
30	Bearing	1
31	Front End Plate	1
32	Steel Ball	2
33	Washer	1
34	Quick Connector (not shown)	1