



Parts Manual

Mfg. No: 1688022-00
20SPWM48K, 48V Cordless Self-propelled Mower Kit 20"



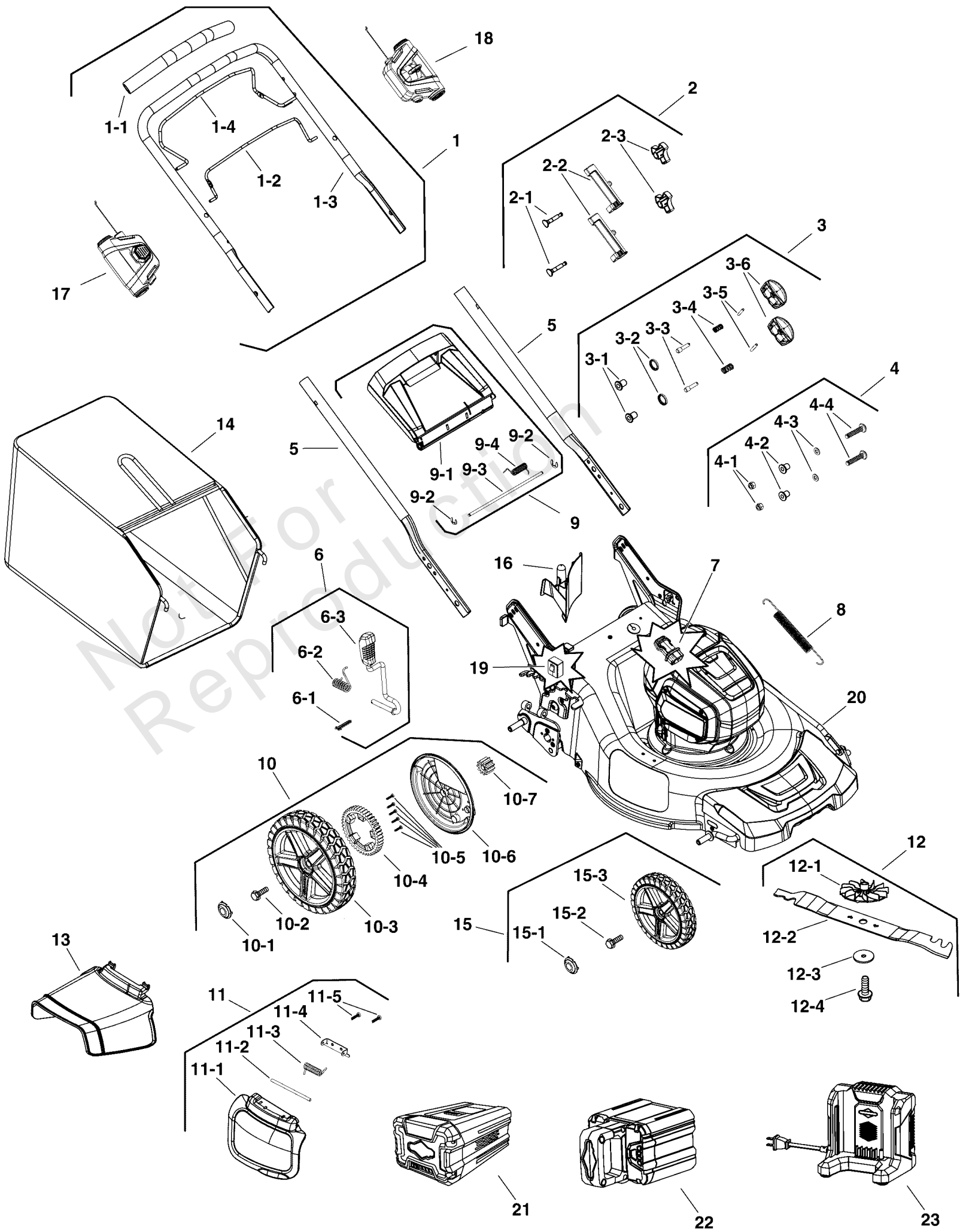
Model Components	Page
Walk Mower.....	4
Torque Specification Chart.....	8

Not For
Reproduction

Walk Mower

Note: Unless noted otherwise, use the standard torque specifications

Mfg. No: 1688022-00



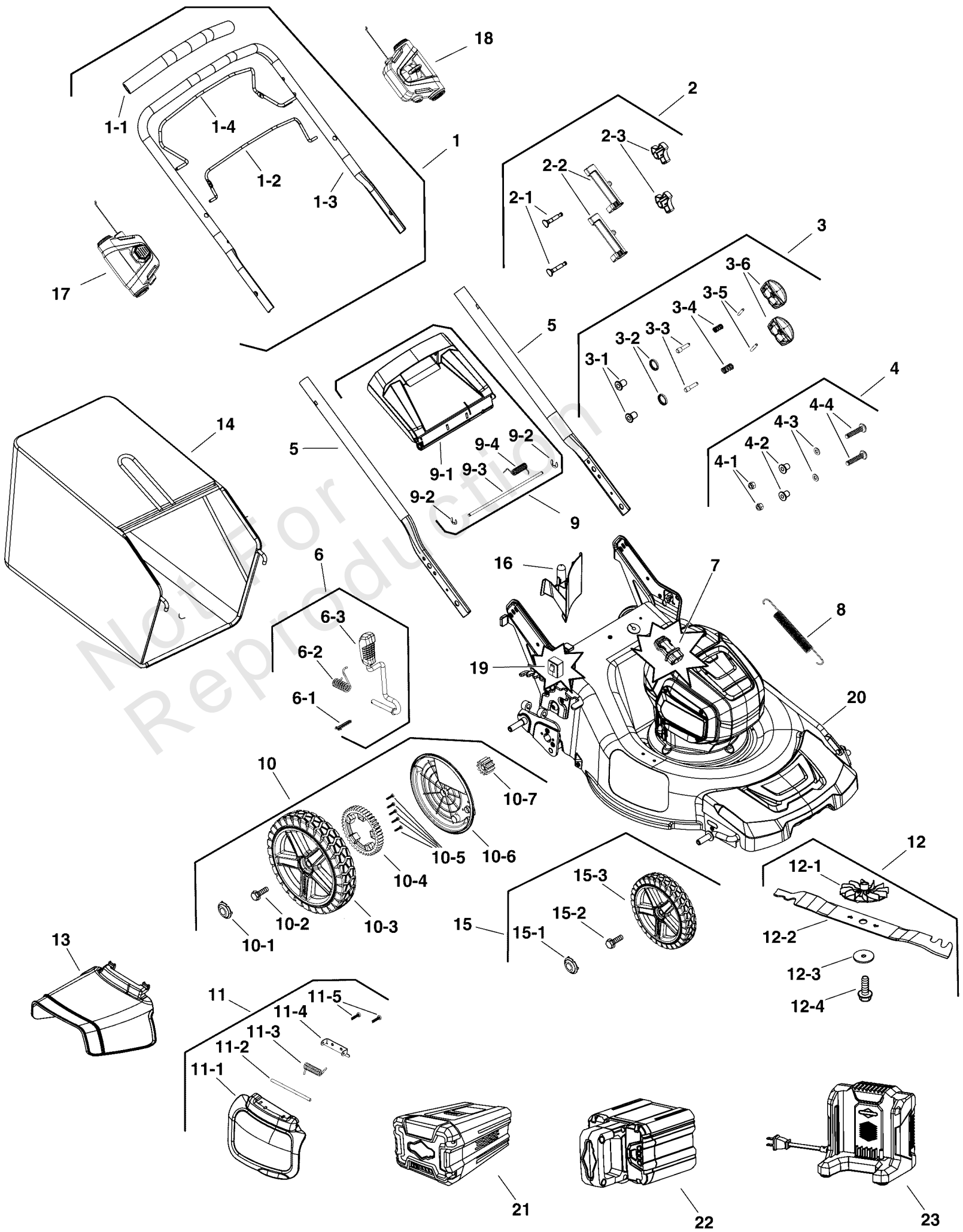
Walk Mower

REF NO	PART NO	QTY	DESCRIPTION
1	84001927	1	KIT, Upper Handle
1-1	-----	1	GRIP, foam
1-2	-----	1	BAIL
1-3	-----	1	HANDLE, Upper
1-4	-----	1	LEVER, Self-Propelled
2	84001954	1	KIT, Mounting Hardware
2-1	-----	2	BOLT
2-2	-----	2	SLEEVE
2-3	-----	2	KNOB, M8
3	84001929	1	KIT, Knob, Lower Handle
3-1	-----	2	INSERT
3-2	-----	2	GASKET
3-3	-----	2	POST
3-4	-----	2	SPRING
3-5	-----	2	PIN
3-6	-----	2	KNOB, Handle
4	84001930	1	KIT, Hardware, Lower Handle
4-1	-----	2	NUT, M8
4-2	-----	2	INSERT
4-3	-----	2	WASHER, Flat
4-4	-----	2	BOLT
5	84001931	2	KIT, Lower Handle
6	84001956	1	KIT, Height Adjust
6-1	-----	1	PIN, Cotter
6-2	-----	1	SPRING
6-3	-----	1	HANDLE, Height Adjust
7	596798	1	KEY, Safety
8	84002267	1	SPRING, Tension, Lift
9	84001937	1	KIT, Rear Cover
9-1	-----	1	COVER, Rear
9-2	-----	2	WASHER, Split
9-3	-----	1	ROD, Rear Cover
9-4	-----	1	SPRING
10	84001928	2	KIT, Rear Wheel, 10"
10-1	-----	1	COVER, Wheel
10-2	-----	1	BOLT, Hex Flange, M8 x 16
10-3	-----	1	WHEEL, Rear, 10"
10-4	84003415	1	GEAR, Drive
10-5	-----	5	SCREW, Socket Head, ST4.2 x 20
10-6	-----	1	COVER, Dust
10-7	-----	1	GEAR, Drive
11	84001938	1	KIT, Cover, Side Discharge
11-1	-----	1	COVER, Side Discharge
11-2	-----	1	ROD, Side Discharge
11-3	-----	1	SPRING, Torsion
11-4	-----	1	BRACKET
11-5	-----	2	BOLT, Hex Flange, M6 X 12
12	84001939	1	KIT, Mower Blade, 20"
c	-----	1	FAN
12-2	-----	1	BLADE, Mower, 20"
12-3	-----	1	WASHER

Walk Mower

Note: Unless noted otherwise, use the standard torque specifications

Mfg. No: 1688022-00



Walk Mower

REF NO	PART NO	QTY	DESCRIPTION
12-4	-----	1	BOLT, M10 X 35
13	84001940	1	DEFLECTOR, Side Discharge
14	84001942	1	GRASS CATCHER ASSEMBLY
15	84001943	2	KIT, Front Wheel, 8"
15-1	-----	1	COVER, Wheel
15-2	-----	1	BOLT, Hex Flange, M8 x 16
15-3	-----	1	WHEEL, 8"
16	84001944	1	PLUG, Mulching
17	84001945	1	CONTROL PANEL ASSEMBLY
18	84001950	1	SPEED CONTROL ASSEMBLY
19	84001946	1	SWITCH, Safety
20	-----	1	MOWER DECK ASSEMBLY -(Order Wholegood)
21	1697090	1	* BATTERY, 5.0, 48V -(Option)
22	1697088	1	* BATTERY, 2.0, 48V -(Option)
23	1697092	1	* BATTERY CHARGER, 48V -(Option)

Not For Reproduction

Hardware Identification & Torque Specifications

Torque Specification Chart								
FOR STANDARD METRIC MACHINE HARDWARE (Tolerance ± 20%)								
Property Class	5.6		8.8		10.9		12.9	
	Class 5.6		Class 8.8		Class 10.9		Class 12.9	
Size Of Hardware	in/lbs	Nm.	in/lbs	Nm.	in/lbs	Nm.	in/lbs	Nm.
	ft/lbs		ft/lbs		ft/lbs		ft/lbs	
M3	5.88	.56	13.44	1.28	19.2	1.80	22.92	2.15
M4	13.44	1.28	30.72	2.90	43.44	4.10	52.56	4.95
M5	26.4	2.50	60.96	5.75	5.97	8.10	7.15	9.7
M6	44.64	4.3	7.3	9.9	10.3	14	12.1	16.5
M7	5.2	7.1	12.1	16.5	16.9	23	19.9	27
M8	7.7	10.5	17.7	24	25	34	29	40
M10	15	21	35	48	50	67	59	81
M12	26	36	61	83	86.2	117	103	140
M14	42	58	101	132	136	185	162	220
M16	64	88	147	200	210	285	250	340
M18	89	121	202	275	287	390	346	470
M20	126	171	290	390	405	550	486	660
M22	169	230	390	530	559	745	656	890
M24	217	295	497	375	708	960	840	1140
M27	320	435	733	995	1032	1400	1239	1680
M30	435	590	995	1350	1401	1900	1681	2280
M33	590	800	1349	1830	1902	2580	2278	3090
M36	759	1030	1740	2360	2441	3310	2935	3980
M39	988	1340	2249	3050	3163	4290	3798	5150

Torque Specification Chart						
FOR STANDARD MACHINE HARDWARE (Tolerance ± 20%)						
Hardware Grade	No Marks		SAE Grade 5		SAE Grade 8	
	SAE Grade 2		SAE Grade 5		SAE Grade 8	
Size Of Hardware	in/lbs	Nm.	in/lbs	Nm.	in/lbs	Nm.
	ft/lbs		ft/lbs		ft/lbs	
8-32	19	2.1	30	3.4	41	4.6
8-36	20	2.3	31	3.5	43	4.9
10-24	27	3.1	43	4.9	60	6.8
10-32	31	3.5	49	5.5	68	7.7
1/4-20	66	7.6	8	10.9	12	16.3
1/4-28	76	8.6	10	13.6	14	19.0
5/16-18	11	15.0	17	23.1	25	34.0
5/16-24	12	16.3	19	25.8	29	34.0
3/8-16	20	27.2	30	40.8	45	61.2
3/8-24	23	31.3	35	47.6	50	68.0
7/16-14	30	40.8	50	68.0	70	95.2
7/16-20	35	47.6	55	74.8	80	108.8
1/2-13	50	68.0	75	102.0	110	149.6
1/2-20	55	74.8	90	122.4	120	163.2
9/16-12	65	88.4	110	149.6	150	204.0
9/16-18	75	102.0	120	163.2	170	231.2
5/8-11	90	122.4	150	204.0	220	299.2
5/8-18	100	136	180	244.8	240	326.4
3/4-10	160	217.6	260	353.6	386	525.0
3/4-16	180	244.8	300	408.0	420	571.2
7/8-9	140	190.4	400	544.0	600	816.0
7/8-14	155	210.8	440	598.4	660	897.6
1-8	220	299.2	580	788.8	900	1,244.0
1-12	240	326.4	640	870.4	1,000	1,360.0

The guides and ruler furnished below are designed to help you select the appropriate hardware.



Nut, M8

Thread Diameter (mm)

Inside Diameter (in) Threads per inch

Nut, 1/2-16



Screw, M8- 1.25 x 25

Thread Diameter (mm) Distance between threads (mm) Body Length (mm)

Body Diameter Threads per inch Body Length (in)

Screw, 1/2- 16 x 2



Standard Hardware Sizing

When a washer or nut is identified as 1/2" (M8), this is the *Nominal size*, meaning the *inside diameter* is 1/2 inch (8mm metric thread diameter); if a second number is present it represents the *threads per inch* (distance between threads).

When bolt or capscrew is identified as 1/2 - 16 x 2" (M8 - 1.25 x 50), this means the *Nominal size*, or body diameter is 1/2 inch (8mm metric thread diameter), the second number, 16, represents the *threads per inch*, (*distance between threads*). The final number is the body length of the bolt or screw, 2 inches (50mm).

NOTES

- These torque values are to be used for all hardware excluding: locknuts, self-tapping screws, thread forming screws, sheet metal screws and socket head setscrews.
- Recommended seating torque values for locknuts:
 - for prevailing torque locknuts - use 65% of grade 5 torques.
 - for flange whizlock nuts and screws - use 135% of grade 5 torques.
- Unless otherwise noted on assembly drawings, all torque values must meet this specification.

Common Hardware Types

Hex Head Capscrew



Washer



Carriage Bolt



Hex Nut

Wrench & Fastener Size Guide

1/4" Bolt or Nut Wrench—7/16"	5/16" Bolt or Nut Wrench—1/2"	3/8" Bolt or Nut Wrench—9/16"	7/16" Bolt or Nut Wrench (Bolt)—5/8" Wrench (Nut)—11/16"	1/2" Bolt or Nut Wrench—3/4"
M6 Bolt or Nut Wrench—10mm	M8 Bolt or Nut Wrench—13mm	M10 Bolt or Nut Wrench—17mm	M12 Bolt or Nut Wrench—19mm	M14 Bolt or Nut Wrench—22mm

