

# SKIL®

Owner's Manual  
Guide d'utilisation  
Manual del propietario



Model/ Modelo/ Modèle: LT4818-00

**40V 14" Brushless String Trimmer**

**Taille-haie sans balai de 40 V, 35,5 cm /14 po**

**Orilladora de hilo sin escobillas de 14 pulgadas de 40 V**

**▲ WARNING:** To reduce the risk of injury, the user must read and understand the Owner's Manual before using this product. Save these instructions for future reference.

**▲ AVERTISSEMENT :** Afin de réduire les risques de blessure, l'utilisateur doit lire et comprendre le guide d'utilisation avant d'utiliser cet article. Conservez le présent guide afin de pouvoir le consulter ultérieurement.

**▲ ADVERTENCIA :** Para reducir el riesgo de lesiones, el usuario debe leer y comprender el Manual del operador antes de utilizar este producto. Guarde estas instrucciones para consultarlas en caso sea necesario.



For Customer Service  
Pour le service à la clientèle  
Servicio al cliente

**1-877-SKIL-999 OR [www.skil.com](http://www.skil.com)**

# TABLE OF CONTENTS

Important Safety Instructions . . . . .	3-5
Symbols . . . . .	6-8
Get to Know Your String Trimmer . . . . .	9
Specifications . . . . .	10
Recommended Accessory . . . . .	10
Assembly . . . . .	11-13
Operating Instructions . . . . .	14-19
Maintenance . . . . .	20-22
Troubleshooting . . . . .	23-24
Limited Warranty of SKIL Consumer Tool . . . . .	25

## **WARNING**

- Some dust created by power sanding, sawing, grinding, drilling and other construction activities contains chemicals known to the State of California to cause cancer, birth defects or other reproductive harm. Some examples of these chemicals are:
  - Lead from lead-based paints.
  - Crystalline silica from bricks, cement, and other masonry products.
  - Arsenic and chromium from chemically-treated lumber.
- Your risk from these exposures varies, depending upon how often you do this type of work. To reduce your exposure to these chemicals:
  - Work in a well-ventilated area.
  - Work with approved safety equipment, such as dust masks that are specially designed to filter out microscopic particles.
  - Avoid prolonged contact with dust from power sanding, sawing, grinding, drilling, and other construction activities. Wear protective clothing and wash exposed areas with soap and water. Allowing dust to get into your mouth or eyes or to lie on the skin may promote absorption of harmful chemicals.

# IMPORTANT SAFETY INSTRUCTIONS

**⚠ WARNING** Read all safety warnings, instructions, illustrations and specifications provided with this power tool. Failure to follow all instructions listed below may result in electric shock, fire and/or serious injury.

## SAVE ALL WARNINGS AND INSTRUCTIONS FOR FUTURE REFERENCE.

The term “power tool” in the warnings refers to your mains-operated (corded) power tool or battery-operated (cordless) power tool.

**⚠ WARNING** When using electric trimmers, basic safety precautions should always be followed to reduce the risk of fire, electric shock, and personal injury, including the following:

**⚠ DANGER** Do not rely on the tool’s insulation against electric shock. To reduce the risk of electrocution, never operate the tool in the vicinity of any wires or cables which may carry electric current.

**⚠ CAUTION** Wear appropriate personal hearing protection during use. Under some conditions and durations of use, noise from this product may contribute to hearing loss.

**Keep Children Away** - All visitors should be kept at least 100 feet away from work area.

**Avoid Dangerous Environments** – Don’t use appliances on damp or wet slope.

**Dress Properly** - Do not wear loose clothing or jewelry. They can be caught in moving parts. Use of rubber gloves and substantial footwear is recommended when working outdoors. Wear protective hair covering to contain long hair.

**Use Safety Glasses** - Always use face or dust mask if operation is dusty.

**Use the Right Tool** - Do not use the tool for any job except that for which it is intended.

**Don’t Force the Trimmer** - It will do the job better and with less likelihood of a risk of injury at the rate for which it was designed.

**Don’t Overreach** - Keep proper footing and balance at all times.

**Stay Alert** - Watch what you are doing. Use common sense. Do not operate the trimmer when you are tired.

**Do not operate the trimmer while under the influence of alcohol or drugs.**

**Keep guards in place and in working order.**

**Keep hands and feet away from the cutting area.**

**Store Trimmer Indoors** - When not in use the trimmer should be stored indoors in a dry and high or locked-up place with the battery pack removed- out of reach of children.

**Maintain Trimmer with Care** - Keep the cutting attachment clean for best performance and to reduce the risk of injury. Follow the instructions for changing accessories. Keep the handles dry, clean, and free from oil and grease.

**Check Damaged Parts** - Before further use of the trimmer, a guard or other part that is damaged should be carefully checked to determine that it will operate properly and perform its intended function. Check for alignment of moving parts, binding of moving parts, breakage of parts, mounting, and any other condition that may affect its operation. A guard or other part that is damaged should be properly repaired or replaced by an authorized service center unless indicated elsewhere in this manual.

**Clear the area to be cut before each use.** Remove all objects such as rocks, broken glass, nails, wire, or string that can be thrown or become entangled in the cutting attachment. Make sure that other persons and pets are at least 100 ft. (30.5m) away.

**Always hold the trimmer firmly, with both hands on the handles, while operating.** Wrap your fingers and thumbs around the handles.

**Avoid Accidentally Starting** - Don’t carry the trimmer with your finger on the trigger.

**Do not operate the trimmer in gaseous or explosive atmospheres.** Motors in these appliances normally spark, and the sparks might ignite fumes.

**Damage to Trimmer** - If you strike a foreign object with the trimmer or it becomes entangled, stop the tool immediately, check for damage and have any damage repaired before further operation is attempted. Do not operate with a broken guard or spool.

**If the equipment should start to vibrate abnormally, stop the motor and check immediately for the cause.** Vibration is generally a warning of trouble. A loose head may vibrate, crack, break or come off the trimmer, which may result in serious or fatal injury. Make sure that the cutting attachment is properly fixed in position. If the head loosens after fixing it in position, replace it immediately. Never use a trimmer with a loose cutting attachment.

**Replace a cracked, damaged or worn-out cutting head immediately, even if damage is limited to superficial cracks.** Such attachments may shatter at high speed and cause serious or fatal injury.

**Check the cutting attachment at regular short intervals during operation, or immediately if there is a noticeable change in cutting behavior.**

**When replacing the cutting line, use no more than 2.0mm nylon line;** using heavier lines than recommended by the manufacturer increases the load on the motor and reduces its operating speed. This results in overheating and damage to the trimmer.

**To reduce the risk of serious injury, never use wire or metal-reinforced line or other material in place of the nylon cutting lines.** Pieces of wire could break off and be thrown at high speed toward the operator or bystanders.

**To reduce the risk of injury from loss of control, never work on a ladder or on any other insecure support. Never hold the cutting attachment above waist height.**

**If situations occur that are not covered in this manual, use care and good judgment. Contact the SKIL Customer Service Center for assistance.**

**Do not charge the battery pack in rain, or in wet locations.**

**Use only with the battery packs and chargers listed below:**

Battery	Charger
BY8705-00 BY8708-00	SC5364-00

**Recharge only with the charger specified by the manufacturer.** A charger that is suitable for one type of battery pack may create a risk of fire when used with another battery pack.

**Use appliances only with specifically designated battery packs.** Use of any other battery packs may create a risk of injury and fire.

**When battery pack is not in use, keep it away from other metal objects, like paper clips, coins, keys, nails, screws or other small metal objects, that can make a connection from one terminal to another.** Shorting the battery terminals together may cause burns or a fire.

**Under abusive conditions, liquid may be ejected from the battery; avoid contact. If contact accidentally occurs, flush with water.** If liquid contacts eyes, additionally seek medical help. Liquid ejected from the battery may cause irritation or burns.

**Do not use a battery pack or appliance that is damaged or modified.** Damaged or modified batteries may exhibit unpredictable behavior resulting in fire, explosion or risk of injury.

**Follow all charging instructions and do not charge the battery pack or appliance outside of the temperature range specified in the instructions.** Charging improperly or at temperatures outside of the specified range may damage the battery and increase the risk of fire.

**Do not dispose of the battery in a fire.** The cells may explode. Check with local codes for possible special disposal instructions.

**Do not open or mutilate the battery.** Released electrolyte is corrosive and may cause damage to the eyes or skin. It may be toxic if swallowed.

**Exercise care in handling batteries in order not to short the battery with conducting materials such as rings, bracelets, and keys.** The battery or conductor may overheat and cause burns.

**Replacement Parts** - When servicing, use only identical SKIL replacement parts. Use of any other accessory or attachment may increase the risk of injury.

**Battery tools do not have to be plugged into an electrical outlet; therefore, they are always in operating condition.** Be aware of possible hazards even when the tool is not operating. Take care when performing maintenance or service.

**Disconnect the battery pack from the appliance before making any adjustments, changing accessories, or storing appliance.** Such preventive safety measures reduce the risk of starting the appliance accidentally.

**Do not wash with a hose; avoid getting water in motor and electrical connections.**

**Do not incinerate the appliance even if it is severely damaged.** The batteries can explode in a fire.

**Do not expose a battery pack or tool to fire or excessive temperature.** Exposure to fire or temperature above 212 °F (100°C) may cause explosion.

**Prevent unintentional starting. Ensure the switch is in the off-position before connecting to battery pack, picking up or carrying the appliance.** Carrying the appliance with your finger on the switch or energizing appliance that have the switch on invites accidents.

**Have servicing performed by a qualified repair person using only identical replacement parts.** This will ensure that the safety of the product is maintained.

**Save these instructions.** Refer to them frequently and use them to instruct others who may use this tool. If you lend this tool to someone else, also lend these instructions to them to prevent misuse of the product and possible injury.





**SAVE THESE INSTRUCTIONS!**

# SYMBOLS

## Safety Symbols

The purpose of safety symbols is to attract your attention to possible dangers. The safety symbols and the explanations with them deserve your careful attention and understanding. The symbol warnings do not, by themselves, eliminate any danger. The instructions and warnings they give are no substitutes for proper accident prevention measures.

**⚠ WARNING** Be sure to read and understand all safety instructions in this Owner's Manual, including all safety alert symbols such as "**DANGER**," "**WARNING**," and "**CAUTION**" before using this tool. Failure to following all instructions listed below may result in electric shock, fire, and/or serious personal injury.

The definitions below describe the level of severity for each signal word. Please read the manual and pay attention to these symbols.	
	This is the safety alert symbol. It is used to alert you to potential personal injury hazards. Obey all safety messages that follow this symbol to avoid possible injury or death.
	DANGER indicates a hazardous situation which, if not avoided, will result in death or serious injury.
	WARNING indicates a hazardous situation which, if not avoided, could result in death or serious injury.
	CAUTION, used with the safety alert symbol, indicates a hazardous situation which, if not avoided, will result in minor or moderate injury.

## Damage Prevention and Information Messages

These inform the user of important information and/or instructions that could lead to equipment or other property damage if they are not followed. Each message is preceded by the word "NOTICE", as in the example below:






**NOTICE:** Equipment and/or property damage may result if these instructions are not followed.



**⚠ WARNING** The operation of any power tools can result in foreign objects being thrown into your eyes, which can result in severe eye damage. Before beginning power tool operation, always wear safety goggles or safety glasses with side shields and a full face shield when needed. We recommend a Wide Vision Safety Mask for use over eyeglasses or standard safety glasses with side shields. Always use eye protection which is marked to comply with ANSI Z87.1.








## SYMBOLS (CONTINUED)

**IMPORTANT:** Some of the following symbols may be used on your tool. Please study them and learn their meaning. Proper interpretation of these symbols will allow you to operate the tool better and more safely.

Symbol	Name	Designation/Explanation
V	Volts	Voltage (potential)
A	Amperes	Current
Hz	Hertz	Frequency (cycles per second)
W	Watt	Power
kg	Kilograms	Weight
min	Minutes	Time
s	Seconds	Time
Wh	Watt-hours	Battery capacity
Ah	Ampere-Hours	Battery capacity
∅	Diameter	Size of drill bits, grinding wheels, etc.
$n_0$	No load speed	Rotational speed, at no load
n	Rated speed	Maximum attainable speed
.../min	Revolutions or reciprocation per minute	Revolutions, strokes, surface speed, orbits, etc. per minute
IPX4	Ingress protection degree	Protection from splashing water
	Alternating current	Type or a characteristic of current
	Direct current	Type or a characteristic of current
	Li-ion RBRC seal	Designates Li-ion battery recycling program
	Read manual symbol	Alerts user to read manual
	Wear eye protection symbol	Always wear safety goggles or safety glasses with side shields and a full face shield when operating this product.

## SYMBOLS (CERTIFICATION INFORMATION)

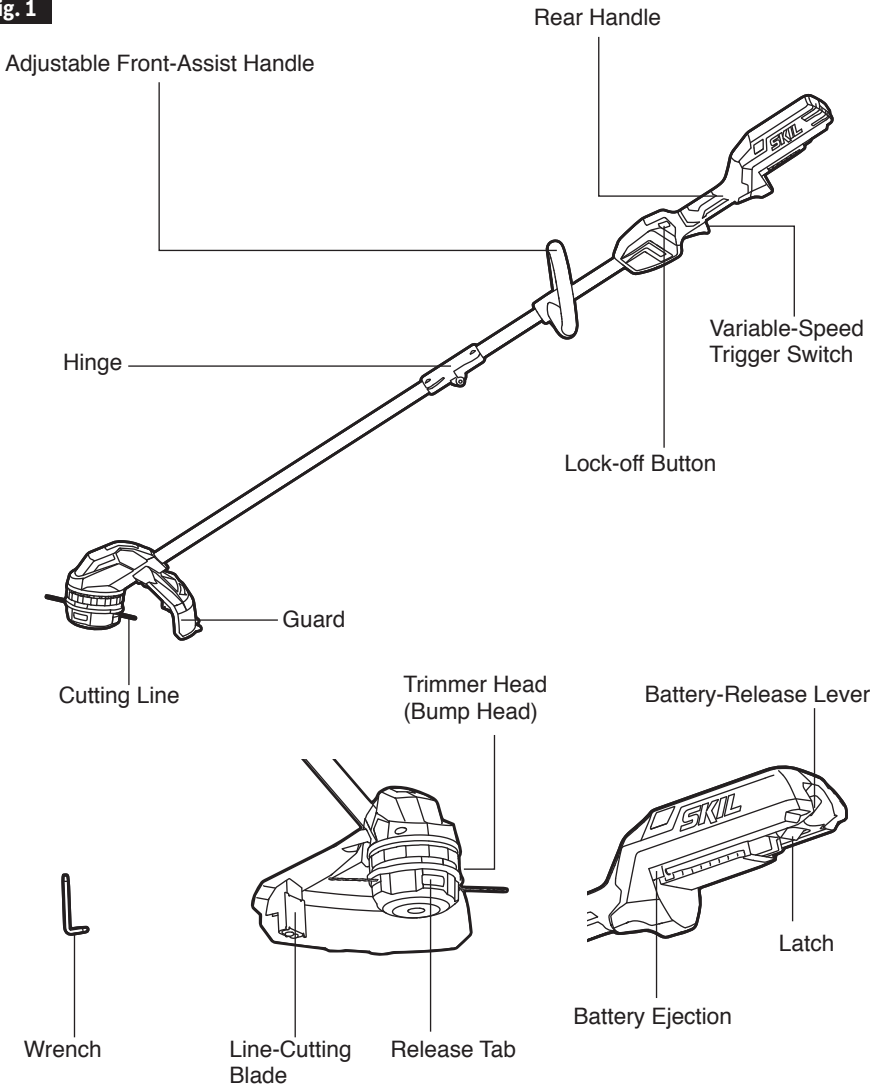
**IMPORTANT:** Some of the following symbols for certification information may be used on your tool. Please study them and learn their meaning. Proper interpretation of these symbols will allow you to operate the tool better and more safely.

Symbol	Designation/Explanation
	This symbol designates that this tool is listed by Underwriters Laboratories.
	This symbol designates that this tool is recognized by Underwriters Laboratories.
	This symbol designates that this tool is listed by Underwriters Laboratories, to United States and Canadian Standards.
	This symbol designates that this tool is listed by the Canadian Standards Association.
	This symbol designates that this tool is listed by the Canadian Standards Association, to United States and Canadian Standards.
	This symbol designates that this tool is listed by the Intertek Testing Services, to United States and Canadian Standards.
	This symbol designates that this tool complies to NOM Mexican Standards.



# GET TO KNOW YOUR STRING TRIMMER

**Fig. 1**



## SPECIFICATIONS

Rated voltage	40V d.c.
No-load speed	4800 ~ 6000/min
Cutting mechanism	Bump Head
Cutting line type	0.080 in. (2.0 mm) nylon twist line
Cutting width	14"
Recommended working temperature	32~104°F (0~40°C)
Recommended storage temperature	32~104°F (0~40°C)

## RECOMMENDED ACCESSORY

PART NAME	TYPE	MODEL NUMBER
Trimmer Head	SKIL rapid reload trimmer head	STH4818
Cutting Line	0.080 in./2.0 mm nylon twist line	STL2000

### **Adjustable Front-Assist Handle**

For easy control of the trimmer during cutting.

### **Rear Handle**

Ergonomic handle improves comfort and grip.

### **Variable-Speed Trigger Switch**

Turns the string trimmer On and Off and adjusts the trimmer head speed.

### **Lock-off Button**

Helps prevent accidental or unauthorized activation of the trigger. It must be depressed before the trigger can be activated.

### **Hinge**

Connects and locks the two foldable shafts.

### **Trimmer Head (Bump Head)**

Stores the cutting line and releases the cutting line when the head is lightly tapped on the ground during operation.

### **Guard**

Reduces the risk of injury from foreign objects flung backwards toward the operator and from contact with the cutting attachment.

### **Line-Cutting Blade**

Steel blade on the guard that maintains the cutting line at the proper length.

### **Battery-Release Lever**

Releases the battery pack from the tool.

### **Latch**

Locks the battery pack in place when installed on the tool.

### **Battery Ejection**

Aids in removing the battery.

## ASSEMBLY

**⚠ WARNING** To prevent accidental starting that could cause serious personal injury, always remove the battery pack from the tool when assembling parts, making adjustments, cleaning, or when not in use.

**⚠ WARNING** If any parts are damaged or missing, do not operate this product until the parts are replaced. Use of this product with damaged or missing parts could result in serious personal injury.

**⚠ WARNING** Do not attempt to modify this tool or create accessories not recommended for use with this tool. Any such alteration or modification is misuse and could result in a hazardous condition leading to possible serious injury.

## Unpacking

- This product requires assembly.
- Carefully remove the product and any accessories from the box. Make sure that all items listed on the box are included.
- Inspect the tool carefully to make sure that no breakage or damage occurred during shipping.
- Do not discard the packing material until you have carefully inspected and satisfactorily operated the tool.
- If any parts are damaged or missing, please return the product to the place of purchase.

## Unfold the Shaft

**⚠ WARNING** In order to avoid pinching your hands or fingers, do not hold the shaft at the joints.

**⚠ WARNING** Do not attempt to start the trimmer until the shaft has been locked.

1. Remove the battery pack from the trimmer.
2. Put your trimmer on the ground and carefully unfold the shaft. Make sure that the cable is inside the shaft so that it will not be pinched when closing the joints (Fig. 2).
3. Use the supplied wrench to lock the shaft with the two bolts supplied (Fig. 3).

Fig. 2

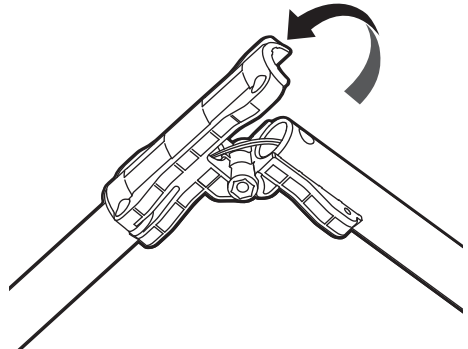
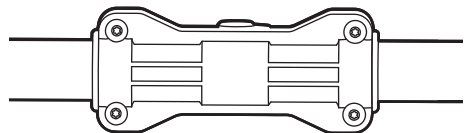


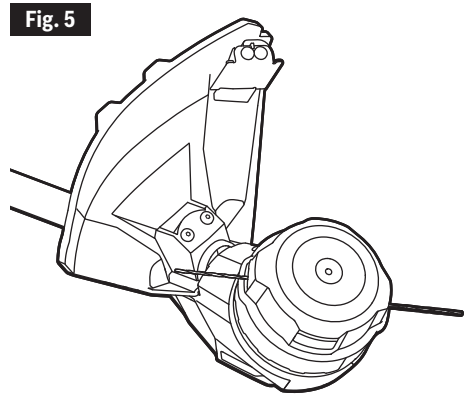
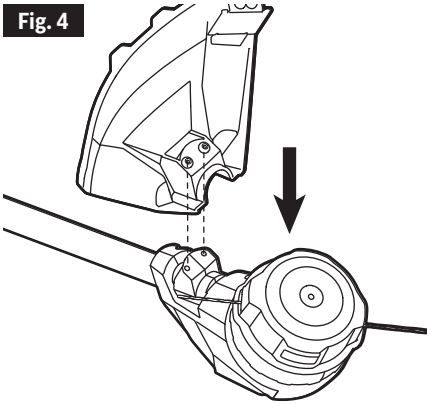
Fig. 3



## Mount the Guard

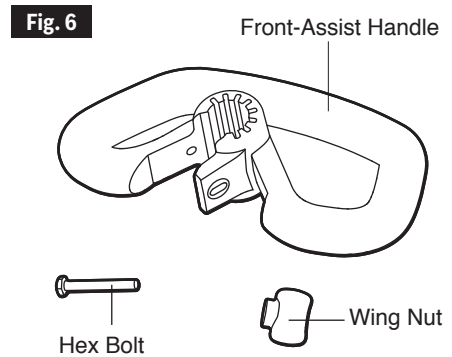
**⚠ WARNING** Always wear gloves when mounting or replacing the guard. Be careful of the blade on the guard and wear gloves to protect your hands from being injured by the blade.

1. Remove the battery pack from the trimmer.
2. Lay the trimmer on the ground or the floor with the trimmer head facing upward.
3. Align the two bolts (supplied) with the two screw holes in the shaft (Fig. 4), and then tighten them with the supplied wrench (Fig. 5).

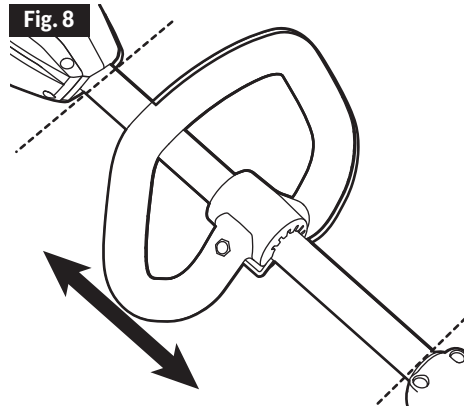
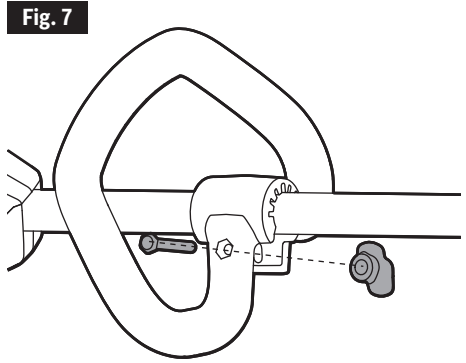


## Mount and Adjust the Front-Assist Handle

1. Remove the battery pack from the trimmer.
2. Loosen the wing nut and remove it with the hex bolt from the front-assist handle (Fig. 6).



3. Refer to Fig.7: press the front-assist handle onto the shaft and assemble the hex bolt with the wing nut. Turn the front-assist handle upward so that it points toward the top of the rear handle.
4. Adjust the front-assist handle position so that it is between the rear handle housing and the hinge of the shaft, as shown in Fig. 8. The handle should be adjusted so that your front arm will be straight when using the trimmer.
5. Tighten the wing nut so that the handle cannot be rotated on the shaft.



# OPERATING INSTRUCTIONS

**⚠ WARNING** To reduce the risk of fire, personal injury, and product damage due to a short circuit, never immerse your tool, battery pack, or charger in fluid or allow a fluid to flow inside them. Corrosive or conductive fluids, such as seawater, certain industrial chemicals, and bleach or bleach-containing products, etc. can cause a short circuit.

**⚠ WARNING** Do not use any attachments or accessories not recommended by the manufacturer of this product. The use of attachments or accessories not recommended can result in serious personal injury.

**⚠ WARNING** Do not attempt to modify this tool or the battery pack or create accessories not recommended for use with this tool. Any such alteration or modification is misuse and could result in a hazardous condition leading to possibly serious injury.

**⚠ WARNING** To prevent accidental starting that could cause serious personal injury, always remove the battery pack from the tool when assembling parts, making adjustments, cleaning, or when not in use.

**⚠ WARNING** Do not allow familiarity with this product to make you careless. Remember that a careless fraction of a second is sufficient to inflict serious injury.

**⚠ WARNING** Always wear eye protection with side shields marked to comply with ANSI Z87.1, along with hearing protection. Failure to do so could result in objects being thrown into your eyes and other possibly serious injuries.

## Application

You may use this product for the purposes listed below:

**Trimming:** use for removing grass and weeds along walls, fences, trees, and borders.

**Cutting:** use for cutting grass that is difficult to reach using a normal mower.

---

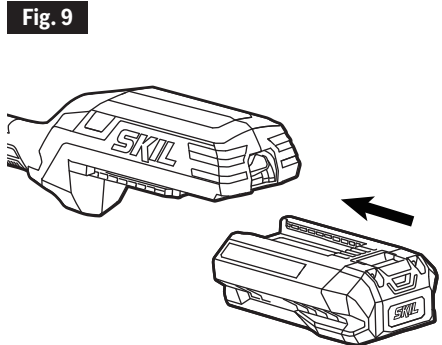
## To Attach/Detach Battery Pack

**⚠ WARNING** Battery tools are always in operating condition. Therefore, remove the battery when assembling parts, making adjustments, cleaning, when the tool is not in use, or when carrying it at your side. Removing the battery pack will prevent accidental starting that could cause serious personal injury.

### To attach the battery pack (Fig. 9):

1. Align the ribs of the battery pack with the mounting slots in the string trimmer's battery port.
2. Press the battery pack until it snaps into position.

**NOTICE:** Make sure that the latch on the string trimmer snaps into place and the battery pack is secured to the tool before beginning operation.

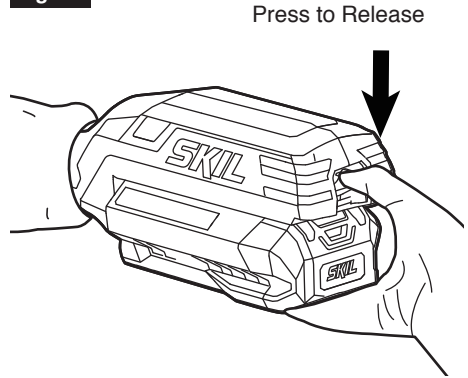


## To detach the battery pack (Fig. 10):

**⚠ WARNING** Always be aware for the location of your feet, children, or pets when pressing the battery-release lever. Serious injury could result if the battery pack falls. NEVER remove the battery pack at a high location.

1. Hold the battery pack in the palm of your hand.
2. Press the battery-release lever with your thumb; the battery pack will disengage from the latch.
3. Grasp the battery pack and remove it from the string trimmer.

Fig. 10



## To Hold the String Trimmer

**⚠ WARNING** Dress properly to reduce the risk of injury when operating this tool. Do not wear loose clothing or jewelry. Wear eye and ear/hearing protection. Wear heavy, long pants, boots and gloves. Do not wear short pants or sandals or go barefoot. Before operating the unit, stand in the operating position and check that:

- The operator is wearing eye protection and proper clothing.
- One arm is slightly bent, and the hand on that arm is holding the rear handle.
- The other arm is straight, and that hand is holding the front-assist handle.
- The trimmer head is parallel to the ground and easily contacts the material to be cut without the operator having to bend over (Fig. 11).

Fig. 11



## To Start/Stop the String Trimmer

Before starting the string trimmer:

- Make sure that you have a secure and balanced footing.
- Stand upright and hold the string trimmer in a relaxed position.
- Make sure that the cutting line is not touching the ground or any other objects.
- Hold the string trimmer with both hands: one hand on the rear handle and one hand on the front-assist handle.

### To Start The String Trimmer (Fig. 12)

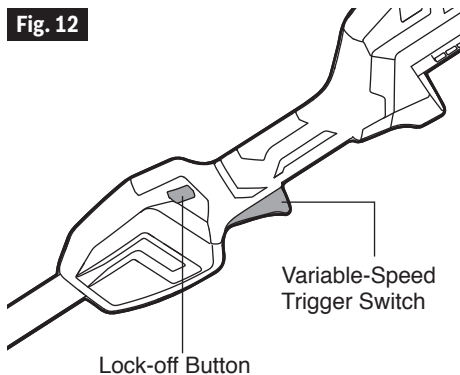
1. Press the lock-off button down and hold it in that position. Press the trigger switch to turn on the string trimmer. Release the lock-off button and continue to squeeze the trigger switch for continued operation.
2. The rotational speed of the trimmer head is controlled with the variable-speed trigger switch. More pressure on the trigger results in higher speed; less pressure on the trigger results in lower speed. Adjust the speed to suit the task at hand.

**NOTICE:** The motor runs only when the lock-off button and trigger switch are both pressed.

### To Stop The String Trimmer

Release the trigger switch to stop the string trimmer.

**⚠ WARNING** Always remove the battery pack from the string trimmer during work breaks and after finishing work.



---

## To Use the String Trimmer

**⚠ WARNING** To avoid serious personal injury, wear goggles or safety glasses at all times when operating this unit. Wear a face mask or dust mask in dusty locations.

**⚠ WARNING** To prevent serious personal injury, remove the battery pack from the tool before servicing, cleaning, changing attachments or removing material from the unit.

Clear the area to be cut before each use. Remove all objects, such as rocks, broken glass, nails, wire, or string that can be thrown or become entangled in the cutting attachment.

Clear the area of children, bystanders, and pets. Keep all children, bystanders and pets at least 100 ft. (30.5m) away. There still may be risk to bystanders from thrown objects; bystanders should be encouraged to wear eye protection. If you are approached, stop the motor immediately.

### Check for Damaged/Worn Parts before Each Use

Check the trimmer head, guard and front-assist handle and replace any parts that are cracked, warped, bent, or damaged in any way.

The line-cutting blade on the edge of the guard can dull over time. It is recommended that you periodically sharpen it with a file or replace it with a new blade.

**⚠ WARNING** Always wear gloves when mounting or replacing the guard or when sharpening or replacing the blade. Note the location of the blade on the guard and protect your hand from injury.

### Clean the Trimmer after Each Use

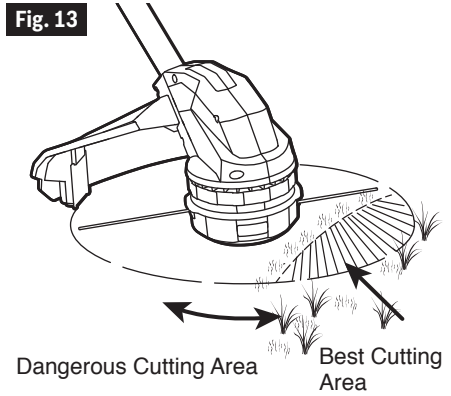
See the Maintenance section for cleaning instructions.

**⚠ WARNING** Never use water to clean your trimmer. Avoid using solvents when cleaning plastic parts. Most plastics are susceptible to damage from various types of commercial solvents. Use clean clothes to remove dirt, dust, oil, grease, etc.



## Tips for Best Trimming Results (Fig. 13)

- The correct angle for the cutting attachment is parallel to the ground.
- Do not force the trimmer. Allow the very tip of the line to do the cutting (especially along walls). Cutting with more than the tip will reduce cutting efficiency and may overload the motor.
- The cutting height is determined by the distance of the cutting line from the lawn surface.
- Grass should be cut by working progressively from top to the bottom in small increments to avoid premature line wear or motor drag.
- Slowly move the trimmer into and out of the area being cut, maintaining the cutting head position at the desired cutting height. This movement can be either a forward-backward motion or a side-to-side motion. Cutting shorter lengths produces best results.
- Trim only when grass and weeds are dry.
- Wire and picket fences can cause extra string wear or breakage. Stone and brick walls, curbs, and wood may wear strings rapidly.
- Avoid trees and shrubs. Tree bark, wood moldings, siding, and fence posts can easily be damaged by the strings.

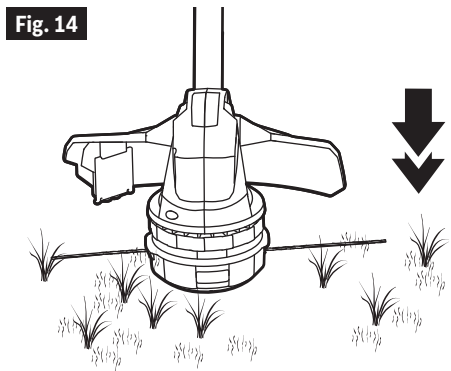


## To Adjust Cutting Line Length

The trimmer head allows the operator to release more cutting line without stopping the motor. As line becomes frayed or worn, additional line can be released by lightly tapping the trimmer head on the ground while operating the trimmer (Fig. 14).

**⚠ WARNING** Do not remove or alter the line-cutting blade assembly. Excessive line length will cause the motor to overheat and may result in serious personal injury.

For best results, tap the trimmer head on bare ground or hard soil. If line release is attempted in tall grass, the motor may overheat. Always keep the trimming line fully extended. Line release becomes more difficult as the cutting line becomes shorter.



## Line Replacement

**NOTICE:** Always use the recommended nylon cutting line with a diameter that does not exceed 0.080 in. (2.0 mm). Using line other than that specified may cause the string trimmer to overheat or become damaged.

**⚠ WARNING** Never use metal-reinforced line, wire, or rope, etc. These can break off and become dangerous projectiles.

**⚠ WARNING** To prevent serious personal injury, remove the battery pack from the tool before servicing, cleaning, changing attachments or removing material from the unit.

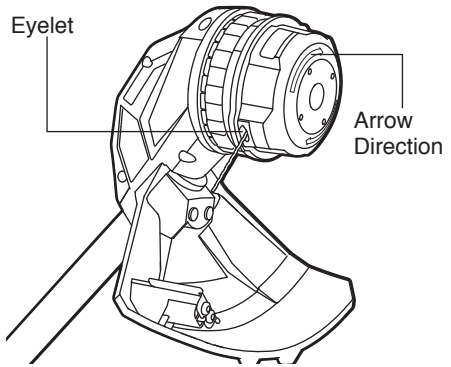
1. Remove the battery pack from the trimmer.

2. Cut one piece of cutting line 16 ft. (5m) long. Insert the line into the eyelet. Push the line until the end of the line comes out of the other side of the trimmer head. Pull the line from the other side until equal amounts of line appear on both sides (Fig. 15).

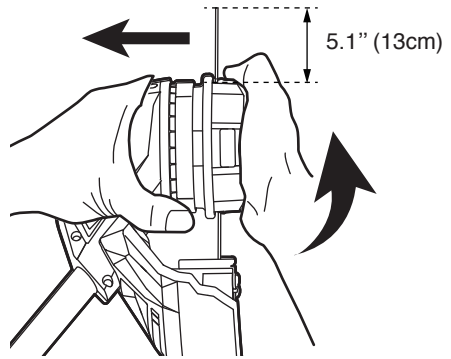
3. Press, while rotating the spool retainer in the direction indicated by the arrow to wind the cutting line into the spool is inside the trimmer head until approximately 5.1 in. (13cm) of line is showing on each side (Fig. 16).

4. Push down on the trimmer head while pulling on the lines to manually advance the line and to check for proper installation of the cutting line.

**Fig. 15**



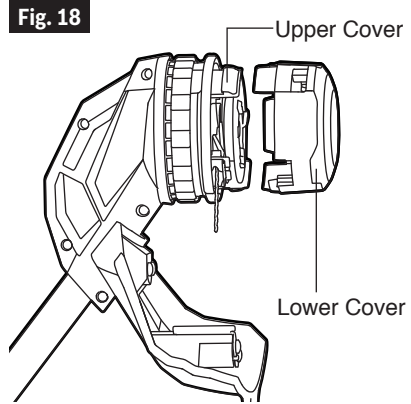
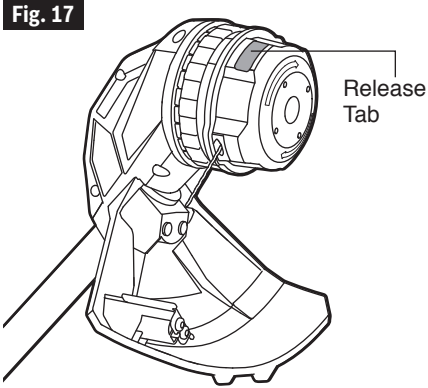
**Fig. 16**



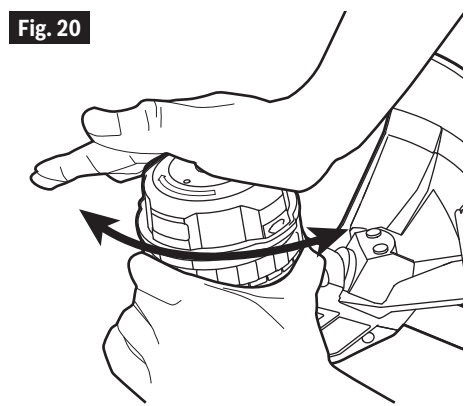
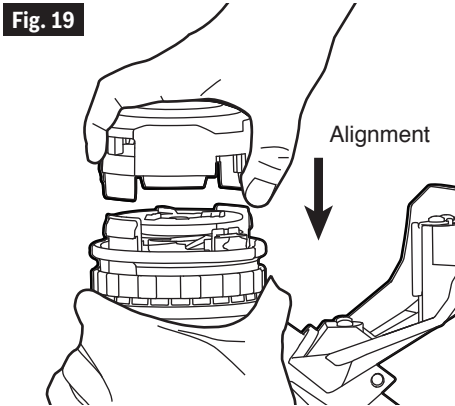
## Reload the Cutting Line

**NOTICE:** When the cutting line breaks from the line outlet or the cutting line is not released when the trimmer head is tapped, you need to remove the remaining cutting line from the spool retainer and follow the steps below to reload the line.

1. Remove the battery pack from the trimmer.
2. Press the release tabs on the upper cover and remove the lower cover of the trimmer head by pulling it straight out (Fig. 17 & 18).



3. Remove the cutting line from the spool retainer.
4. With one hand holding the upper cover, use the other hand to grasp the lower cover of the trimmer head and align the tabs on the upper cover with the holes in the lower cover; use your palm to press the lower cover until it snaps into place. (Fig. 19 & 20).
5. Following the instructions in "**Line Replacement**" to reload the cutting line.



# MAINTENANCE

**⚠ WARNING** When servicing, use only identical replacement parts. Use of any other parts could create a hazard or cause product damage. Periodically inspect the entire product for damaged, missing, or loose parts such as screws, nuts, bolts, caps, etc. Tighten securely all fasteners and caps and do not operate this product until all missing or damaged parts are replaced. Please contact customer service or an authorized service center for assistance.

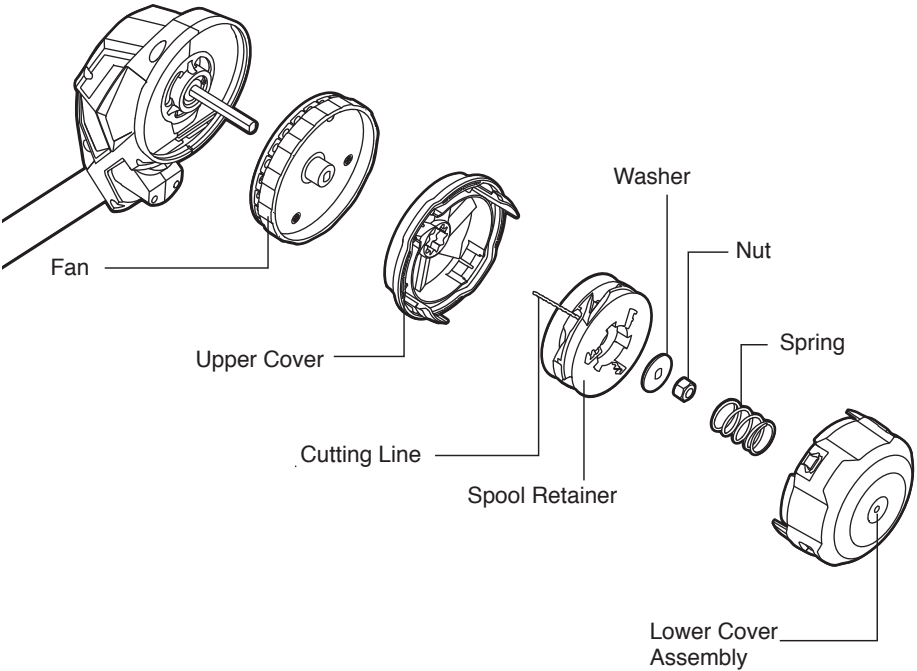
**⚠ WARNING** Battery tools do not have to be plugged into an electrical outlet; therefore, they are always in operating condition. To prevent serious personal injury, take extra precautions and care when performing maintenance, service or for changing the cutting attachment or other attachments.

**⚠ WARNING** To avoid serious personal injury, always remove the battery pack from the tool when cleaning or performing any maintenance.

## Trimmer Head Replacement

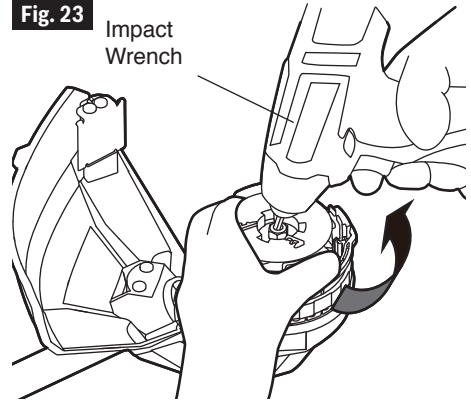
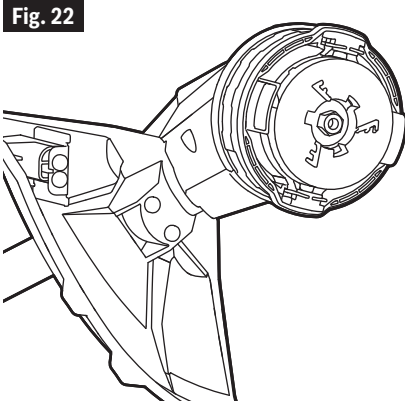
**⚠ DANGER** If the head loosens after it is fixed in position, replace it immediately. Never use a trimmer with a loose cutting attachment. Replace a cracked, damaged or worn out cutting head immediately, even if damage is limited to superficial cracks. Such attachments may shatter at high speed and cause serious injury.

Fig. 21



## Remove the Trimmer Head

1. Remove the battery pack from the trimmer.
2. Press the release tabs on the trimmer head and remove the lower cover of the trimmer head by pulling it straight out.
3. Remove the cutting line from the trimmer head (Fig. 22).
4. Take the spring out of the lower cover, if necessary. Save it for reassembly.
5. Wear gloves. Use one hand to grasp the spool assembly to stabilize it, and use the other hand to hold an impact wrench to loosen the nut in the counterclockwise direction (Fig. 23).
6. Remove the nut, spool assembly, upper cover, and fan from the motor shaft.
7. Replace with a new trimmer head and mount it as follows.



## Install the New Trimmer Head

1. Align the key slot in the fan assembly with the spline in the motor shaft and mount the fan assembly into place.
2. Mount the upper cover, spool assembly, and washer in that order. Use an impact wrench on the nut to tighten it.
3. Following steps 4 & 5 in “**Reload the Cutting Line**” section in this manual to mount the lower cover assembly.
4. Follow the instructions in “**Line Replacement**” section in this manual to reload the cutting line.
5. Start the tool to see whether the string trimmer will work normally. If it does not, reassemble as described above.

## Clean the Trimmer

- Clear any grass that may have wrapped itself around the motor shaft or trimmer head.
- Use a small brush or a small vacuum cleaner to clean the air vents.
- Keep the air vents free of obstructions.
- Clean the unit using a damp cloth with a mild detergent.
- Do not use any strong detergents on the plastic housing or the handle. They can be damaged by certain aromatic oils, such as pine and lemon, and by solvents such as kerosene. Moisture can also cause a shock hazard. Wipe off any moisture with a soft, dry cloth.

## Sharpen the Line-Cutting Blade



Always protect your hands by wearing heavy gloves when performing any maintenance on the line-cutting blade.

1. Remove the battery pack from the tool. Remove the line-cutting blade from the guard.
2. Wear proper eye protection and gloves and be careful not to cut yourself.
3. Secure the blade in a vise.
4. Carefully file the cutting edges of the blade with a fine-tooth file or sharpening stone, maintaining the original cutting edge angle.
5. Replace the blade on the guard and secure it in place with the two screws.

## Storing the Trimmer

- Remove the battery pack from the trimmer.
- Clean the tool thoroughly before storing it.
- Store the unit in a dry, well-ventilated area, locked-up or up high, out of the reach of children. Do not store the unit on or adjacent to fertilizers, gasoline, or other chemicals.

## Service

We recommend that all tool service be performed by a SKIL Factory Service Center or Authorized SKIL Service Station.

## TROUBLESHOOTING

Problem	Cause	Remedy
String trimmer fails to start.	<ol style="list-style-type: none"> <li>1. The battery pack is not attached to the trimmer.</li> <li>2. No electrical contact between the trimmer and the battery pack.</li> <li>3. The battery pack is depleted.</li> <li>4. The lock-off button and trigger switch are not depressed simultaneously.</li> </ol>	<ol style="list-style-type: none"> <li>1. Attach the battery pack to the trimmer.</li> <li>2. Remove battery, check contacts and reinstall the battery pack.</li> <li>3. Charge the battery pack.</li> <li>4. Press down on the lock-off button and hold it, then depress the trigger switch to turn on the string trimmer.</li> </ol>
String trimmer stops while cutting.	<ol style="list-style-type: none"> <li>1. The guard is not mounted on the trimmer, resulting in an overly long cutting line and motor overload.</li> <li>2. Incorrect cutting line is used.</li> <li>3. The motor shaft or trimmer head is bound with grass.</li> <li>4. The motor is overloaded.</li> <li>5. The battery pack or string trimmer is too hot.</li> <li>6. The battery pack is disconnected from the tool.</li> <li>7. The battery pack is depleted.</li> </ol>	<ol style="list-style-type: none"> <li>1. Remove the battery pack and mount the guard on the trimmer.</li> <li>2. Use recommended nylon cutting line with diameter no greater than 0.080 in. (2.0 mm).</li> <li>3. Stop the trimmer, remove the battery, and remove the grass from the motor shaft and trimmer head.</li> <li>4. Remove the trimmer head from the grass. The motor will recover to work when the load is removed. When cutting, move the trimmer head in and out of the grass to be cut and don't remove grass too long in a single cut.</li> <li>5. Allow the battery pack or trimmer to cool down.</li> <li>6. Re-install the battery pack.</li> <li>7. Charge the battery pack.</li> </ol>

Problem	Cause	Remedy
Trimmer head will not advance line.	<ol style="list-style-type: none"> <li>1. The motor shaft or trimmer head is bound with grass.</li> <li>2. There is not enough line in the trimmer head or the line breaks from the eyelet.</li> <li>3. The line is tangled in the trimmer head.</li> <li>4. The line is too short.</li> </ol>	<ol style="list-style-type: none"> <li>1. Stop the trimmer, remove the battery, and clean the motor shaft and trimmer head.</li> <li>2. Remove the battery and replace the cutting line follow “<b>Line Replacement</b>” section in this manual.</li> <li>3. Remove the battery; remove the line from the trimmer head and rewind following “<b>Line Replacement</b>” section in this manual.</li> <li>4. Remove the battery and pull the lines manually while alternately pressing down and releasing the trimmer head.</li> </ol>
Grass wraps around trimmer head and motor housing.	<ol style="list-style-type: none"> <li>1. Cutting tall grass at ground level.</li> </ol>	<ol style="list-style-type: none"> <li>1. Cut tall grass from the top down, don't remove grass too long each pass to prevent wrapping.</li> </ol>
The blade is not cutting the line.	<ol style="list-style-type: none"> <li>1. The line-cutting blade on the edge of the guard has become dull.</li> </ol>	<ol style="list-style-type: none"> <li>1. Sharpen the line-cutting blade with a file or replace it with a new blade.</li> </ol>
Cracks on the trimmer head or the spool assembly comes loose.	<ol style="list-style-type: none"> <li>1. The trimmer head is worn out.</li> <li>2. The nut that locks the trimmer head is loose.</li> </ol>	<ol style="list-style-type: none"> <li>1. Replace the trimmer head immediately following “<b>Trimmer Head Replacement</b>” section in this manual.</li> <li>2. Open the trimmer head and use an impact wrench (14 mm) to tighten the nut.</li> </ol>



# LIMITED WARRANTY OF SKIL CONSUMER TOOLS

## 5 YEAR LIMITED WARRANTY- LEGAL

Chervon North America, Inc. ("Seller") warrants to the original purchaser only, that all SKIL consumer TOOLS will be free from defects in material or workmanship for a period of five years from date of purchase, if original purchaser registers the product within 30 days from purchase. BATTERIES AND CHARGERS are warranted for 2 years. Product registration can be completed online at [www.Registermyskil.com](http://www.Registermyskil.com). Original purchasers should also retain their receipt as proof of purchase. THE FIVE-YEAR WARRANTY PERIOD FOR TOOLS IS CONDITIONED ON REGISTRATION OF THE PRODUCT WITHIN 30 DAYS OF PURCHASE. If original purchasers do not register their product within 30 days of purchase, the foregoing limited warranty will apply for a duration of three years for tools. All batteries and chargers will remain under the two-year limited warranty.

Notwithstanding the foregoing, if a SKIL consumer tool is used for industrial, professional, or commercial purposes, the foregoing warranty will apply for a duration of ninety days, regardless of registration.

SELLER'S SOLE OBLIGATION AND YOUR EXCLUSIVE REMEDY under this Limited Warranty and, to the extent permitted by law, any warranty or condition implied by law, shall be the repair or replacement of parts, without charge, which are defective in material or workmanship and which have not been misused, carelessly handled, or repaired by persons other than Seller or Authorized Service Station. To make a claim under this Limited Warranty, you must return the complete product, transportation prepaid, to any SKIL Factory Service Center or Authorized Service Station. For Authorized SKIL Power Tool Service Stations, please visit [www.Registermyskil.com](http://www.Registermyskil.com) or call 1-877-SKIL-999 (1-877-754-5999).

THIS WARRANTY DOES NOT COVER ROUTINE MAINTENANCE PARTS AND CONSUMABLES THAT CAN WEAR OUT FROM NORMAL USE WITHIN THE WARRANTY PERIOD, INCLUDING BLADES, TRIMMER HEADS, CHAIN BARS, SAW CHAINS, BELTS, SCRAPER BARS, AND BLOWER NOZZLES.

ANY IMPLIED WARRANTIES APPLICABLE TO A PRODUCT SHALL BE LIMITED IN DURATION EQUAL TO THE DURATION OF THE EXPRESS WARRANTIES APPLICABLE TO SUCH PRODUCT, AS SET FORTH IN THE FIRST PARAGRAPH ABOVE. SOME STATES IN THE U.S., SOME CANADIAN PROVINCES DO NOT ALLOW LIMITATIONS ON HOW LONG AN IMPLIED WARRANTY LASTS, SO THE ABOVE LIMITATION MAY NOT APPLY TO YOU.

THIS WARRANTY DOES NOT COVER THE DAMAGE RESULTING FROM MODIFICATION, ALTERATION, OR UNAUTHORIZED REPAIR.

IN NO EVENT SHALL SELLER BE LIABLE FOR ANY INCIDENTAL OR CONSEQUENTIAL DAMAGES (INCLUDING BUT NOT LIMITED TO LIABILITY FOR LOSS OF PROFITS) ARISING FROM THE SALE OR USE OF THIS PRODUCT. SOME STATES IN THE U.S. AND SOME CANADIAN PROVINCES DO NOT ALLOW THE EXCLUSION OR LIMITATION OF INCIDENTAL OR CONSEQUENTIAL DAMAGES, SO THE ABOVE LIMITATION OR EXCLUSION MAY NOT APPLY TO YOU.

THIS LIMITED WARRANTY GIVES YOU SPECIFIC LEGAL RIGHTS, AND YOU MAY ALSO HAVE OTHER RIGHTS WHICH VARY FROM STATE TO STATE IN THE U.S., PROVINCE TO PROVINCE IN CANADA AND FROM COUNTRY TO COUNTRY.

THIS LIMITED WARRANTY APPLIES ONLY TO PRODUCTS SOLD WITHIN THE UNITED STATES OF AMERICA, CANADA AND THE COMMONWEALTH OF PUERTO RICO. FOR WARRANTY COVERAGE WITHIN OTHER COUNTRIES, CONTACT YOUR LOCAL SKIL DEALER OR IMPORTER.

# TABLE DES MATIÈRES

Consignes de sécurité importantes. ....	27-30
Symboles .....	31-33
Familiarisez-vous avec votre taille-haie .....	34
Caractéristiques techniques .....	35
Accessoire recommandé .....	35
Assemblage .....	36-38
Instructions d'utilisation. ....	39-44
Entretien. ....	45-47
Dépannage .....	48-49
Garantie limitée pour un outil SKIL à usage non professionnel. ....	50

## **⚠ AVERTISSEMENT**

- La poussière créée pendant le ponçage, le sciage, le polissage, le perçage et d'autres activités liées à la construction peut contenir des produits chimiques reconnus par l'État de la Californie comme étant la cause de cancers, d'anomalies congénitales et d'autres problèmes liés aux fonctions reproductrices. Voici des exemples de ces produits chimiques :
  - Plomb provenant de peintures à base de plomb.
  - Silice cristallisée contenue dans les briques, le ciment et d'autres produits de maçonnerie.
  - Arsenic et chrome contenus dans le bois d'œuvre traité avec des produits chimiques.
- Les risques liés à l'exposition à ces produits varient selon le nombre de fois où vous pratiquez ces activités. Pour réduire votre exposition à ces produits chimiques :
  - travaillez dans un endroit bien ventilé;
  - munissez-vous de l'équipement de sécurité approuvé tel que des masques antipoussières conçus spécialement pour filtrer les particules microscopiques;
  - évitez l'exposition prolongée à la poussière causée par le ponçage mécanique, le sciage, le polissage, le perçage et d'autres activités liées à la construction. Portez un équipement de protection et lavez à l'eau et au savon toutes les parties exposées. Les poussières pénétrant dans votre bouche ou dans vos yeux et les poussières se déposant sur votre peau peuvent causer l'absorption de produits chimiques dangereux.

## CONSIGNES DE SÉCURITÉ IMPORTANTES

**⚠ AVERTISSEMENT** Lisez tous les avertissements de sécurité, instructions, illustrations et caractéristiques techniques fournis avec cet outil électrique. La non-observation de toutes les instructions figurant ci-après pourrait causer un choc électrique, un incendie et/ou des blessures graves.

### CONSERVEZ TOUS LES AVERTISSEMENTS ET TOUTES LES INSTRUCTIONS POUR RÉFÉRENCE FUTURE

Le terme « outil électrique » dans les avertissements fait référence à votre outil électrique alimenté par le secteur (outil filaire) ou par pile (outil sans fil).

**⚠ AVERTISSEMENT** Lors de l'utilisation d'un taille-haie électrique, des précautions de sécurité de base doivent toujours être prises pour réduire les risques d'incendie, de choc électrique et de blessures, notamment les suivantes :

**⚠ DANGER** Ne vous fiez pas seulement à l'isolation de l'outil contre les chocs électriques. Pour réduire les risques d'électrocution, n'utilisez jamais l'outil à proximité de fils ou de câbles susceptibles de transporter du courant électrique.

**⚠ MISE EN GARDE** Portez une protection pour les oreilles individuelle appropriée pendant l'utilisation. Dans certaines conditions et en fonction de certaines durées d'utilisation, le bruit de ce produit peut contribuer à une perte auditive.

**Tenez les enfants à l'écart** – Toutes les personnes présentes doivent être tenues à une distance d'au moins 30 mètres /100 pieds de la zone de travail.

**Évitez les environnements dangereux** – N'utilisez pas les appareils sur une pente humide ou mouillée.

**Habillez-vous de manière appropriée** – Ne portez pas de bijoux ou de vêtements amples. Ils risqueraient d'être happés par des pièces mobiles. Il est recommandé de porter des gants en caoutchouc et des chaussures résistantes pour travailler à l'extérieur. Portez un chapeau ou une coiffe de protection si vous avez les cheveux longs.

**Portez des lunettes de sécurité** – Portez toujours un masque facial ou un masque antipoussière si l'opération soulève de la poussière.

**Utilisez l'outil approprié** – N'utilisez pas l'outil pour d'autres travaux que ceux auxquels il est destiné.

**Ne faites pas forcer le taille-haie** – Il sera plus efficace et plus sûr si vous le faites fonctionner à la vitesse pour laquelle il a été conçu.

**Ne vous penchez pas de manière excessive** – Veillez à garder un bon équilibre et un appui stable, à tout moment.

**Restez sur vos gardes** – Faites attention à ce que vous faites. Faites preuve de bon sens. N'utilisez pas le taille-haie dans un état de fatigue.

**N'utilisez pas le taille-haie sous l'influence de l'alcool ou de drogues.**

**Laissez les protections en place et maintenez-les en bon état de fonctionnement.**

**Tenez vos mains et vos pieds éloignés de la zone de coupe.**

**Entreposez le taille-haie à l'intérieur** – Lorsqu'il n'est pas utilisé, le taille-haie doit être entreposé à l'intérieur dans un endroit sec, en hauteur ou fermé à clé, hors de portée des enfants, et en ayant retiré le bloc-piles.

**Entretenez le taille-haie avec soin** – Gardez l'outil de coupe propre pour de meilleures performances et pour réduire le risque de blessures. Suivez les instructions pour changer d'accessoire. Gardez les poignées sèches, propres et exemptes d'huile et de graisse.

**Contrôlez les pièces endommagées** – Avant de commencer à utiliser votre taille-haie, examinez attentivement les protections et toutes les autres pièces pour vous assurer qu'aucune n'est endommagée et que tout fonctionnera correctement conformément à l'usage prévu. Vérifiez l'absence de problème d'alignement ou de blocage des pièces mobiles, de casse des pièces, de problème de fixation et tout défaut risquant d'affecter le fonctionnement de l'outil. Une protection ou toute autre pièce endommagée doit être correctement réparée ou remplacée par un centre de service après-vente agréé, sauf indication contraire dans ce mode d'emploi.

**Dégagez la zone à couper avant chaque utilisation.** Retirez tous les objets tels que les pierres, le verre brisé, les clous, les fils ou les ficelles qui peuvent être projetés par l'outil de coupe ou s'y emmêler. Assurez-vous que les personnes présentes et les animaux de compagnie se tiennent à 30 m / 100 pi au moins.

**Tenez toujours le taille-haie fermement, avec les deux mains sur les poignées, pendant l'utilisation. Enroulez vos doigts et vos pouces autour des poignées.**

**Évitez tout démarrage accidentel** – Ne portez pas le taille-haie en tenant votre doigt sur la gâchette.

**N'utilisez pas le taille-haie dans des atmosphères gazeuses ou explosives.** Les moteurs de ces appareils produisent normalement des étincelles qui peuvent enflammer les vapeurs.

**Dommages causés au taille-haie** – Si vous heurtez un corps étranger avec le taille-haie ou s'il s'est emmêlé, arrêtez immédiatement l'outil, vérifiez s'il est endommagé et faites réparer les dommages avant de poursuivre l'opération. N'utilisez pas l'outil si une protection ou une bobine est brisée.

**Si l'équipement se met à vibrer anormalement, arrêtez le moteur et contrôlez immédiatement la cause.** Les vibrations indiquent généralement un problème. Une tête desserrée peut vibrer, se fissurer, se briser ou se détacher du taille-haie, ce qui peut entraîner des blessures graves ou mortelles. Assurez-vous que l'outil de coupe est correctement fixé en place. Si la tête se desserre après l'avoir fixée en place, remplacez-la immédiatement. N'utilisez jamais un taille-haie avec un outil de coupe desserré.

**Remplacez immédiatement la tête de coupe si elle est fissurée, endommagée ou usée, même si les dommages se limitent à des fissures superficielles.** De tels éléments peuvent se briser en fonctionnant à haute vitesse et causer des blessures graves ou mortelles.

**Contrôlez l'outil de coupe à intervalles courts et réguliers pendant l'utilisation, ou immédiatement en cas de changement notable du comportement de coupe.**

**Lors du remplacement du fil de coupe, n'utilisez pas de fil nylon de plus de 2,0 mm 0,08 po** ; l'utilisation de fils plus lourds que ceux que recommande le fabricant augmente la charge imposée au moteur et réduit sa vitesse de fonctionnement. Cela entraîne une surchauffe et endommage le taille-haie.

**Pour réduire les risques de blessures graves, n'utilisez jamais de fil métallique ou de fil renforcé par du métal ou d'autres matériaux à la place des fils de coupe en nylon.** Des morceaux de fil pourraient se briser et être projetés à haute vitesse vers l'opérateur ou les personnes présentes.

**Pour réduire le risque de blessure en cas de perte de contrôle, ne travaillez jamais sur une échelle ou sur tout autre support non sécurisé. Ne tenez jamais l'outil de coupe au-dessus de la hauteur de la taille.**

**Faites preuve de prudence et de bon sens dans toute situation qui n'est pas abordée dans ce mode d'emploi. Communiquez avec le centre de service à la clientèle de SKIL pour obtenir de l'aide.**

**Ne chargez pas le bloc-piles sous la pluie ou dans des environnements humides.**

**N'utilisez l'appareil qu'avec les blocs-piles et les chargeurs indiqués ci-dessous :**

<b>Blocs-piles</b>	<b>Chargeur</b>
<b>BY8705-00</b> <b>BY8708-00</b>	<b>SC5364-00</b>

**Ne rechargez qu'avec le chargeur indiqué par le fabricant.** Un chargeur qui est approprié pour un type de bloc-piles pourrait créer un risque d'incendie quand il est utilisé avec un autre bloc-piles.

**N'utilisez les outils qu'avec des blocs-piles conçus spécifiquement pour ceux-ci.**

L'emploi de tout autre bloc-piles risquerait de causer des blessures et un incendie.

**Lorsque le bloc-piles n'est pas utilisé, gardez-le à une distance suffisante des autres objets en métal, comme des trombones, pièces de monnaie, clés, clous, vis ou autres petits objets en métal qui pourraient faire une connexion entre une borne et une autre.**

Le court-circuitage des bornes d'une pile pourrait causer des brûlures ou un incendie.

**Dans des conditions d'utilisation abusives, du liquide pourrait être éjecté de la pile ; évitez tout contact. En cas de contact accidentel, lavez avec de l'eau.** En cas de contact de liquide avec les yeux, consultez un professionnel de santé. Tout liquide éjecté d'une pile peut causer de l'irritation ou des brûlures.

**N'utilisez pas un bloc-piles ou un appareil électrique qui est endommagé ou qui a été modifié.** Des piles endommagées ou modifiées peuvent se comporter de façon imprévisible et causer un incendie, une explosion ou des blessures.

**Suivez toutes les instructions relatives à la charge et ne chargez pas le bloc-piles ou l'appareil électrique en dehors de la plage de température indiquée dans les instructions.** Une charge dans des conditions inappropriées ou à des températures en dehors de la plage spécifiée pourrait endommager la pile et augmenter le risque d'incendie.

**Ne jetez pas la pile au feu.** Les cellules peuvent exploser. Consultez la réglementation locale pour vérifier si d'éventuelles instructions spéciales d'élimination existent.

**N'ouvrez pas et n'endommagez pas la pile.** L'électrolyte libéré est corrosif et peut endommager les yeux ou la peau. Il peut être toxique en cas d'ingestion.

**Manipulez les piles avec précaution afin de ne pas les court-circuiter avec des matériaux conducteurs tels que les bagues, les bracelets et les clés.** La pile ou le conducteur peut surchauffer et provoquer des brûlures

**Pièces de rechange** – Lors de toute opération d'entretien, n'utilisez que des pièces de rechange SKIL identiques. L'utilisation de tout autre accessoire peut accroître le risque de blessures.

**Les outils à piles n'ont pas besoin d'être branchés à une prise électrique ; ils sont donc toujours en état de fonctionnement.** Prenez conscience des dangers possibles même lorsque l'outil n'est pas en fonctionnement. Faites preuve de prudence lorsque vous effectuez des travaux d'entretien ou de maintenance.

**Déconnectez le bloc-piles de l'outil avant d'effectuer des réglages, de changer des accessoires ou de ranger l'outil.** De telles mesures de sécurité préventives réduisent le risque de démarrage accidentel de l'outil.

**Ne lavez pas l'appareil avec un tuyau d'arrosage ; évitez de faire entrer de l'eau dans le moteur et les connexions électriques.**

**N'incinerez pas l'appareil même s'il est gravement endommagé. Les piles peuvent exploser lorsqu'elles sont exposées aux flammes.**

**N'exposez pas un bloc-piles ou l'outil au feu ou à une température excessive.** L'exposition au feu ou une température supérieure à 100 °C / 212 °F peut provoquer une explosion.

**Prévenez une mise en marche accidentelle. Assurez-vous que l'interrupteur est dans la position d'arrêt (OFF) avant de connecter l'outil à un bloc-pile, de le soulever ou de le transporter.** Vous invitez les accidents si vous transportez l'outil avec votre doigt sur l'interrupteur ou si vous le mettez sous tension alors que l'interrupteur est dans la position de marche.

**Faites entretenir votre produit par un réparateur compétent n'utilisant que des pièces de rechange identiques.** Ceci assurera le maintien de la sécurité du produit.

**Conservez ces instructions.** Consultez-les fréquemment et utilisez-les pour donner les consignes nécessaires à d'autres personnes susceptibles d'utiliser cet outil. Si vous prêtez cet outil à quelqu'un d'autre, prêtez-lui aussi ces instructions afin de prévenir un emploi non conforme du produit et tout risque de blessures.





**CONSERVEZ CES INSTRUCTIONS !**

# SYMBOLES

## Symboles de sécurité

L'objectif des symboles de sécurité est d'attirer votre attention sur les dangers potentiels. Vous devez examiner attentivement et bien comprendre les symboles de sécurité et les explications qui les accompagnent. Les symboles d'avertissement en tant que tels n'éliminent pas le danger. Les consignes et les avertissements qui y sont associés ne remplacent en aucun cas les mesures préventives adéquates.

**⚠ AVERTISSEMENT** Assurez-vous de lire et de comprendre toutes les consignes de sécurité présentées dans le présent guide d'utilisation, notamment toutes les consignes de sécurité indiquées par « **DANGER** », « **AVERTISSEMENT** » et « **ATTENTION** » avant d'utiliser cet outil. Le fait de ne pas respecter toutes les consignes de sécurité ci-dessous peut causer un choc électrique, un incendie ou des blessures graves.

Les définitions ci-dessous décrivent le degré de gravité pour chaque mot-indicateur. Veuillez lire ce guide et prêter attention à ces symboles.	
	Voici le pictogramme d'alerte de sécurité. Il sert à vous indiquer les risques potentiels de blessures. Respectez toutes les consignes de sécurité associées à ce pictogramme pour éviter les risques de blessures ou de mort.
	DANGER indique un danger imminent qui, s'il n'est pas évité, causera des blessures graves ou la mort.
	AVERTISSEMENT indique un risque pouvant entraîner des blessures graves ou la mort s'il n'est pas prévenu.
	ATTENTION, utilisée avec le symbole d'alerte de sécurité, indique un risque potentiel qui, s'il n'est pas éliminé, provoquera des blessures mineures ou moyennement graves.

## Messages d'information et de prévention des dommages

Ces messages contiennent des renseignements importants à l'intention de l'utilisateur ainsi que des consignes à respecter. Le non-respect de celles-ci peut occasionner des dommages à l'équipement ou d'autres dommages matériels. Chaque message est précédé du mot « AVIS », comme dans l'exemple ci-dessous :





**AVIS** : Ne pas suivre ces consignes pourrait occasionner des dommages à l'équipement ou d'autres dommages matériels.



**⚠ AVERTISSEMENT** L'utilisation de tout outil électrique peut entraîner la projection de corps étrangers dans les yeux et ainsi causer des lésions oculaires graves. Lorsque vous utilisez un outil électrique, portez toujours des lunettes de sécurité pourvues d'écrans latéraux et d'un écran facial panoramique, au besoin. Nous recommandons le port d'un masque de sécurité panoramique par-dessus les lunettes ou de lunettes de sécurité standard avec écrans latéraux. Portez toujours des protecteurs oculaires conformes à la norme ANSI Z87.1.

## SYMBOLES (SUITE)








**IMPORTANT:** Les symboles suivants peuvent figurer sur votre outil. Familiarisez-vous avec eux et apprenez leur signification. En comprenant ces symboles, vous serez en mesure de faire fonctionner cet outil de façon adéquate et sécuritaire.

Symbole	Nom	Forme au long et explication
V	Volts	Tension (possible)
A	Ampère	Courant
Hz	Hertz	Fréquence (cycles par seconde)
W	Watt	Puissance
kg	Kilogrammes	Poids
min	Minutes	Durée
s	Secondes	Durée
Wh	Watheures	Capacité de la pile
Ah	Ampères-heures	Capacité de la pile
∅	Diamètre	Taille des forets, des meules, etc.
$n_0$	Vitesse à vide	Vitesse de rotation à vide
n	Vitesse nominale	Vitesse maximale atteignable
.../min	Tours ou va-et-vient par minute	Tours, coups, vitesse périphérique, orbites, etc., par minute
SPM	Nombre de coups par minute	Vitesse des coups, à vide
IPX4	Degré de protection contre l'intrusion	Protection contre les projections d'eau
➔	Flèche	L'activation se fait dans le sens de la flèche
~	Courant alternatif	Type de courant ou caractéristique de courant
—	Courant continu	Type de courant ou caractéristique de courant
	Sceau du programme de recyclage des piles au lithium-ion	Désigne le programme de recyclage des piles au lithium-ion
	Symbole de lecture du manuel	Invite l'utilisateur à lire le manuel
	Symbole du port de lunettes de sécurité	Portez toujours des lunettes de protection ou des lunettes de sécurité avec écrans latéraux et un écran facial intégral lors de l'utilisation de ce produit.
	N'exposez pas l'appareil à la pluie.	L'outil ne peut pas être utilisé sous la pluie ou laissé à l'extérieur sous la pluie.



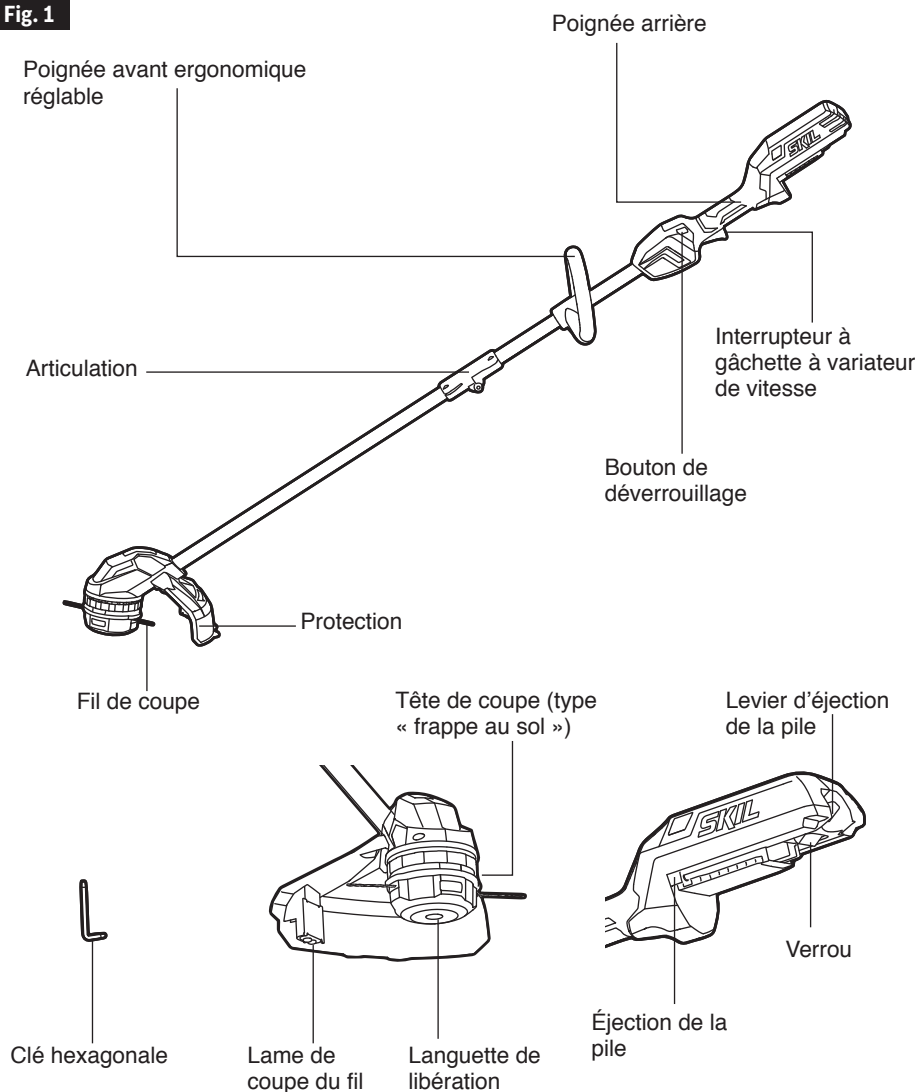
## SYMBOLES (RENSEIGNEMENTS EN MATIÈRE D'HOMOLOGATION)

**IMPORTANT:** Certains des symboles suivants, qui fournissent des renseignements en matière d'homologation, peuvent figurer sur l'outil. Familiarisez-vous avec eux et apprenez leur signification. En comprenant ces symboles, vous serez en mesure de faire fonctionner cet outil de façon adéquate et sécuritaire.

Symbole	Forme au long et explication
	Ce symbole indique que cet outil est répertorié par Underwriters Laboratories.
	Ce symbole indique que cet outil est reconnu par Underwriters Laboratories.
	Ce symbole indique que cet outil est répertorié par Underwriters Laboratories, selon les normes américaines et canadiennes.
	Ce symbole indique que cet outil est répertorié par l'Association canadienne de normalisation.
	Ce symbole indique que cet outil est répertorié par l'Association canadienne de normalisation et qu'il est conforme aux normes américaines et canadiennes.
	Ce symbole indique que cet outil est répertorié par Intertek Testing et qu'il est conforme aux normes américaines et canadiennes.
	Ce symbole indique que cet outil est conforme aux normes mexicaines officielles (NOM).

# FAMILIARISEZ-VOUS AVEC VOTRE TAILLE-HAIE

Fig. 1



# CARACTÉRISTIQUES TECHNIQUES

Tension nominale	40 V c.c.
Vitesse à vide	4 800 ~ 6 000 tr/min
Mécanisme de coupe	Tête de type « frappe au sol »
Type de fil de coupe	Fil nylon torsadé de 2,0 mm / 0,08 po
Largeur de coupe	35,5 cm / 14 po
Température de fonctionnement recommandée	0 ~ 40 °C / 32 ~ 104 °F
Température d'entreposage recommandée	0 ~ 40 °C / 32 ~ 104 °F

## ACCESSOIRE RECOMMANDÉ

DÉSIGNATION DE LA PIÈCE	TYPE	NUMÉRO DE MODÈLE
Désignation de la pièce	Tête de coupe à recharge rapide SKIL	STH4818
Fil de coupe	Fil nylon torsadé de 2,0 mm / 0,08 po	STL2000

### Poignée avant ergonomique réglable

Pour un contrôle aisé du taille-haie pendant la coupe.

### Poignée arrière

Poignée ergonomique améliorant le confort et la prise en main.

### Interrupteur à gâchette à variateur de vitesse

Permet de mettre en marche et d'arrêter le taille-haie et de régler la vitesse de la tête de coupe.

### Bouton de déverrouillage

Aide à éviter l'activation accidentelle ou non autorisée de la gâchette. Il doit être enfoncé avant que la gâchette puisse être activée.

### Articulation

Relie et verrouille les deux arbres repliables.

### Tête de coupe (type « frappe au sol »)

Contient le fil de coupe et libère ce fil lorsqu'on la cogne avec douceur au sol pendant le fonctionnement.

### Protection

Réduit le risque de blessures causées par la projection de corps étrangers vers l'arrière en direction de l'opérateur et par contact avec l'outil de coupe.

### Lame de coupe du fil

Lame en acier située sur la protection permettant de maintenir le fil de coupe à la bonne longueur.

### Levier d'éjection de la pile

Libère le bloc-piles de l'outil.

### Verrou

Verrouille le bloc-piles en place lorsqu'il est installé sur l'outil.

### Éjection de la pile

Aide à retirer la pile.

# ASSEMBLAGE

**⚠ AVERTISSEMENT** Pour éviter tout démarrage accidentel pouvant entraîner des blessures graves, détachez toujours le bloc-piles de l'outil lors de l'assemblage des pièces, de la réalisation de réglages, des opérations de nettoyage ou lorsque l'outil n'est pas utilisé.

**⚠ AVERTISSEMENT** Si des pièces sont endommagées ou manquantes, n'utilisez pas cet appareil tant qu'elles n'ont pas été remplacées. L'utilisation de ce produit avec des pièces endommagées ou manquantes peut entraîner des blessures graves.

**⚠ AVERTISSEMENT** N'essayez pas de modifier cet outil ou de créer des accessoires non recommandés pour cet outil. Toute modification ou transformation de ce type constitue un usage abusif et pourrait provoquer une situation dangereuse susceptible d'entraîner des blessures graves.

## Déballage

- Ce produit nécessite un assemblage.
- Retirez avec précaution le produit et les accessoires éventuels de l'emballage. Assurez-vous que tous les éléments indiqués sur l'emballage sont bien présents.
- Inspectez attentivement l'outil pour vous assurer qu'il n'a pas été cassé ou endommagé pendant le transport.
- Ne jetez pas l'emballage tant que vous n'avez pas soigneusement inspecté et utilisé l'outil de manière satisfaisante.
- Si des pièces sont endommagées ou manquantes, veuillez retourner l'outil au lieu d'achat.

## Comment déplier l'arbre

**⚠ AVERTISSEMENT** Afin d'éviter de pincer vos mains ou vos doigts, ne tenez pas l'arbre au niveau de son articulation.

**⚠ AVERTISSEMENT** N'essayez pas de démarrer le taille-haie tant que l'articulation de l'arbre n'est pas verrouillée.

1. Détachez le bloc-piles du taille-haie.
2. Posez votre taille-haie au sol et déployez l'arbre avec précaution. Assurez-vous que le câble reste à l'intérieur de l'arbre afin qu'il ne soit pas pincé en fermant l'articulation (Fig. 2).
3. Utilisez la clé fournie pour verrouiller l'arbre à l'aide des deux boulons fournis (Fig. 3).

Fig. 2

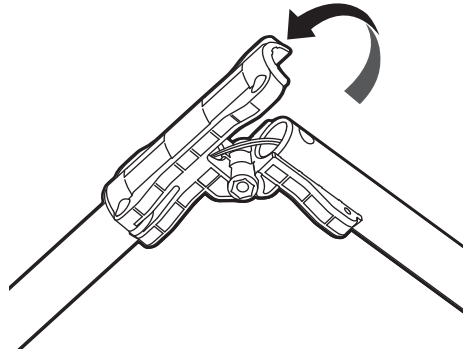
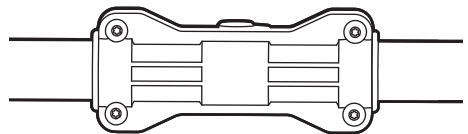


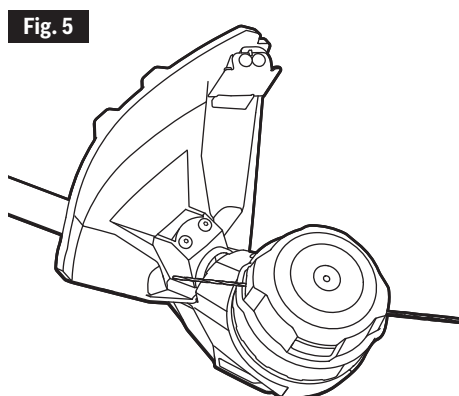
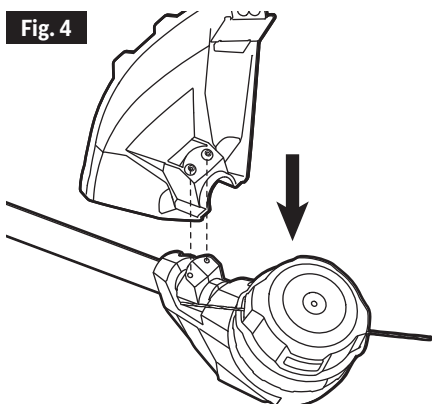
Fig. 3



## Montage du dispositif de protection

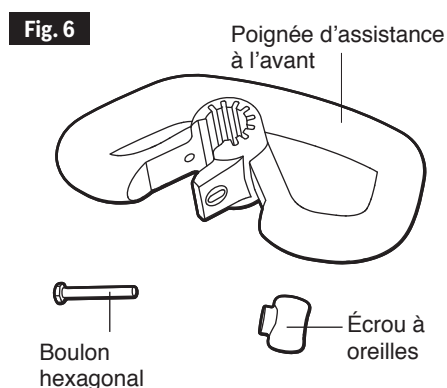
**⚠ AVERTISSEMENT** Portez toujours des gants lorsque vous montez ou remplacez la protection. Faites attention à la lame sur le dispositif de protection et portez des gants pour ne pas vous blesser les mains avec la lame.

1. Détachez le bloc-piles du taille-haie.
2. Posez le taille-haie au sol, la tête du taille-haie orientée vers le haut.
3. Alignez les deux boulons (fournis) avec les deux orifices de vis dans l'arbre (Fig. 4), puis serrez-les avec la clé fournie (Fig. 5).



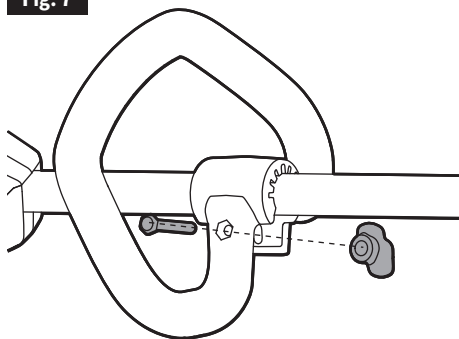
## Montage et réglage de la poignée d'assistance à l'avant

1. Détachez le bloc-piles du taille-haie.
2. Desserrez l'écrou à oreilles et retirez-le de la poignée d'assistance à l'avant avec la vis hexagonale (Fig. 6).

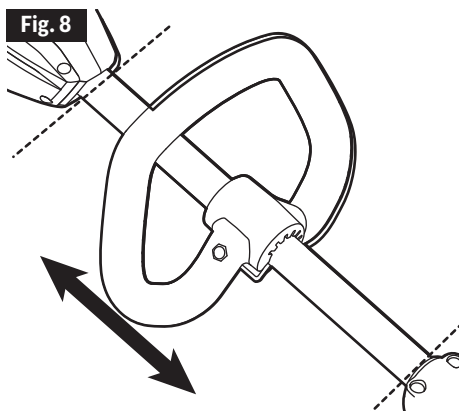


3. Reportez-vous à la Fig. 7 : pressez la poignée d'assistance à l'avant sur l'arbre et montez le boulon hexagonal avec l'écrou à oreilles. Tournez la poignée d'assistance à l'avant vers le haut de façon à ce qu'elle soit alignée avec le haut de la poignée arrière.
4. Réglez la position de la poignée d'assistance à l'avant de manière à ce qu'elle se trouve entre le boîtier de la poignée arrière et l'articulation de l'arbre, comme indiqué à la Fig. 8. La poignée doit être ajustée de façon à ce que votre bras avant soit tendu lorsque vous utilisez le taille-haie.
5. Serrez l'écrou à oreilles de manière à ce que la poignée ne puisse pas tourner sur l'arbre.

**Fig. 7**



**Fig. 8**



# INSTRUCTIONS D'UTILISATION

**⚠ AVERTISSEMENT** Pour réduire les risques d'incendie, de blessures et de dommages causés par un court-circuit, ne plongez jamais l'outil, le bloc-piles ou le chargeur dans un liquide et ne laissez jamais un liquide s'écouler à l'intérieur. Les liquides corrosifs ou conducteurs, tels que l'eau de mer, certains produits chimiques industriels, l'eau de Javel ou les produits contenant de l'eau de Javel, etc. peuvent provoquer un court-circuit.

**⚠ AVERTISSEMENT** N'utilisez pas d'accessoire non recommandé par le fabricant de ce produit. L'utilisation d'accessoires non recommandés peut entraîner des blessures graves.

**⚠ AVERTISSEMENT** Ne tentez pas de modifier cet outil ou le bloc-piles, ou de créer des accessoires qu'il n'est pas recommandé d'utiliser avec cet outil. Une telle altération ou modification constituerait une utilisation abusive et pourrait créer une situation dangereuse avec risque de blessures graves.

**⚠ AVERTISSEMENT** Pour éviter tout démarrage accidentel pouvant entraîner des blessures graves, détachez toujours le bloc-piles de l'outil lors de l'assemblage des pièces, de la réalisation de réglages, des opérations de nettoyage ou lorsque l'outil n'est pas utilisé.

**⚠ AVERTISSEMENT** Ne laissez pas l'habitude (découlant de l'usage de ce produit) endormir votre vigilance. N'oubliez jamais qu'une fraction de seconde d'inattention suffit pour entraîner de graves blessures.

**⚠ AVERTISSEMENT** Portez toujours des lunettes de sécurité avec écrans latéraux certifiées conformes à la norme ANSI Z87.1, ainsi qu'une protection pour les oreilles. Le non-respect de cette consigne peut entraîner la projection d'objets dans les yeux et d'autres blessures graves.

## Application

Vous pouvez utiliser ce produit aux fins énumérées ci-dessous :

**Taille** : pour tailler l'herbe le long des murs, des clôtures, des arbres et des bordures.

**Coupe** : pour couper de l'herbe difficilement accessible par une tondeuse conventionnelle.

---

## Attachement/détachement du bloc-piles

**⚠ AVERTISSEMENT** Les outils à pile sont toujours en état de fonctionnement. Par conséquent, retirez la pile lorsque vous assemblez des pièces, effectuez des réglages, nettoyez, lorsque l'outil n'est pas utilisé, ou lorsque vous le transportez à vos côtés. En retirant le bloc-piles, vous éviterez un démarrage accidentel qui pourrait entraîner des blessures graves.

### Pour attacher le bloc-piles (Fig. 9) :

1. Alignez les nervures du bloc-piles sur les fentes de montage du logement de pile du taille-haie.
2. Appuyez sur le bloc-piles jusqu'à ce qu'il s'enclenche.

**REMARQUE** : Assurez-vous que le verrou du taille-haie s'enclenche et que le bloc-piles est bien fixé à l'outil avant de commencer à travailler.

### Pour détacher le bloc-piles (Fig. 10):

**⚠ AVERTISSEMENT** Prêtez toujours attention à la position de vos pieds et à la présence d'enfants ou d'animaux domestiques lorsque vous appuyez sur le levier de déverrouillage de la pile. Toute chute du bloc-piles peut entraîner un risque de blessures graves. Ne retirez JAMAIS le bloc-piles à un endroit en hauteur.

1. Tenez le bloc-piles dans la paume de votre main.
2. Appuyez sur le levier d'éjection de la pile avec votre pouce ; le bloc-piles se désengagera du verrou.
3. Saisissez le bloc-piles et retirez-le du taille-haie.

Fig. 9

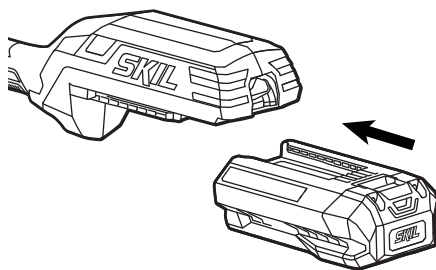
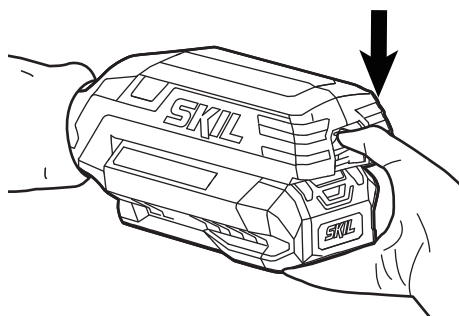


Fig. 10

Appuyez pour libérer



## Comment tenir le taille-haie

**⚠ AVERTISSEMENT** Habillez-vous correctement pour réduire les risques de blessures lors de l'utilisation de cet outil. Ne portez pas de bijoux ou de vêtements amples. Portez une protection pour les yeux et les oreilles. Portez un pantalon long, des bottes et des gants résistants. Ne portez pas de pantalon court ou de sandales et ne marchez pas pieds nus. Avant d'utiliser l'appareil, placez-vous en position correcte et vérifiez que :

- L'opérateur porte des lunettes de sécurité et des vêtements appropriés.
- Tenez la poignée arrière d'une main, le bras légèrement fléchi.
- Tenez la poignée avant ergonomique de l'autre main, le bras tendu.
- La tête de coupe est parallèle au sol et entre aisément en contact avec l'herbe à couper sans que l'opérateur n'ait à se pencher (Fig. 11).

Fig. 11





## Comment faire démarrer/arrêter le taille-haie

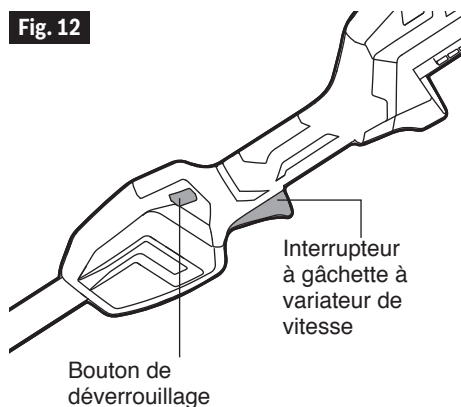
Avant de faire démarrer le taille-haie :

- Assurez-vous que votre position est stable et équilibrée.
- Tenez-vous debout et tenez le taille-haie en gardant une position détendue.
- Veillez à ce que le fil de coupe ne touche pas le sol ou tout autre objet.
- Tenez le taille-haie des deux mains : une main sur la poignée arrière et l'autre sur la poignée avant ergonomique.

### Démarrage du taille-haie (Fig. 12)

1. Pressez et maintenez enfoncé le bouton de déverrouillage. Pressez l'interrupteur à gâchette pour mettre le taille-haie en marche. Relâchez le bouton de déverrouillage et continuez de presser l'interrupteur à gâchette pour maintenir l'appareil en marche.
2. La vitesse de rotation de la tête de coupe est contrôlée par l'interrupteur à gâchette à variateur de vitesse. Une pression plus forte sur la gâchette entraîne des vitesses de rotation plus élevées ; une pression moindre sur la gâchette entraîne des vitesses de rotation plus basses. Ajustez la vitesse en fonction de la tâche à accomplir.

Fig. 12



**REMARQUE** : Le moteur ne fonctionne que lorsque le bouton de déverrouillage et l'interrupteur à gâchette sont tous deux pressés.

### Comment arrêter le taille-haie

Relâchez l'interrupteur à gâchette pour arrêter le taille-haie.

**⚠ AVERTISSEMENT** Retirez toujours le bloc-piles du taille-haie pendant les pauses et après avoir terminé les travaux.

## Utilisation du taille-haie

**⚠ AVERTISSEMENT** Pour éviter des blessures graves, portez des lunettes de protection ou des lunettes de sécurité à tout moment lorsque vous utilisez cet appareil. Portez un masque facial ou un masque antipoussière dans les endroits poussiéreux.

**⚠ AVERTISSEMENT** Pour éviter des blessures graves, retirez le bloc-piles de l'outil avant d'effectuer toute opération d'entretien, de nettoyage, de changement d'accessoire ou de retrait de végétaux de l'appareil.

Dégagez la zone à tailler avant chaque utilisation. Retirez tous les objets tels que les pierres, le verre brisé, les clous, les fils ou les ficelles qui peuvent être projetés par l'outil de coupe ou s'y emmêler.

Tenez les enfants, les personnes présentes et les animaux domestiques à l'écart de la zone de travail. Gardez tous les enfants, les personnes présentes et les animaux de compagnie à 30,5 m / 100 pi au moins. Il peut toujours exister un risque de projection d'objets sur les personnes présentes ; ces personnes devraient être encouragées à porter des lunettes de protection. Si une personne s'approche de vous, arrêtez immédiatement le moteur.

## Vérifiez l'absence de pièces endommagées ou usées avant chaque utilisation

Contrôlez la tête de coupe, la protection et la poignée avant ergonomique et remplacez toutes les pièces fissurées, déformées, tordues ou endommagées de quelque façon que ce soit.

La lame de coupe du fil, située sur le bord de la protection, peut s'émousser avec le temps. Il est recommandé de l'affûter périodiquement avec une lime ou de la remplacer par une lame neuve.

**⚠ AVERTISSEMENT** Portez toujours des gants lorsque vous montez ou remplacez la protection ou lorsque vous affûtez ou remplacez la lame.

Prenez conscience de l'emplacement de la lame sur la protection et protégez votre main contre tout risque de blessures.

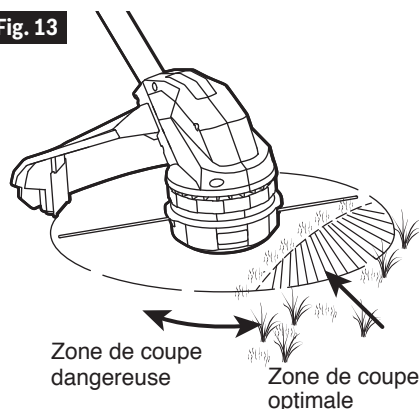
## Nettoyez la taille-haie après chaque utilisation

Consultez la section Entretien pour connaître les instructions de nettoyage.

**⚠ AVERTISSEMENT** N'utilisez jamais d'eau pour nettoyer votre taille-haie. Évitez d'utiliser des solvants lors du nettoyage des pièces en plastique. La plupart des plastiques sont susceptibles d'être endommagés par divers types de solvants commerciaux. Utilisez des chiffons propres pour nettoyer la saleté, la poussière, l'huile, la graisse, etc.

## Conseils pour obtenir de meilleurs résultats de coupe (Fig. 13)

Fig. 13

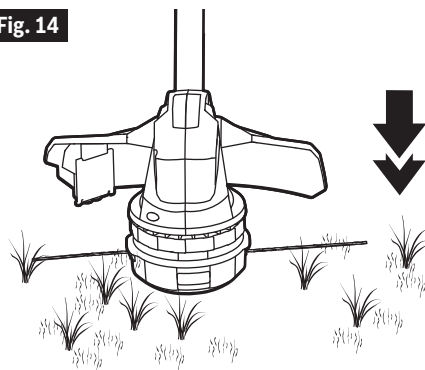


- L'angle d'utilisation est correct lorsque l'outil de coupe est parallèle au sol.
- Ne faites pas forcer la taille-haie. Coupez l'herbe seulement avec l'extrémité du fil (surtout le long des murs). Le fait de couper l'herbe sur une partie plus longue du fil réduira l'efficacité de la coupe et risque de surcharger le moteur.
- La hauteur de coupe est déterminée par la distance entre le fil de coupe et la surface de l'herbe.
- L'herbe doit être coupée en travaillant progressivement du haut vers le bas par petits incréments pour éviter d'user le fil prématurément ou de surcharger le moteur.
- Déplacez lentement la taille-haie en la faisant entrer et sortir de la zone à couper par un mouvement de va-et-vient, tout en maintenant la position de la tête de coupe à la hauteur de coupe souhaitée. Il peut s'agir soit d'un mouvement d'avant en arrière, soit d'un mouvement latéral. Couper des longueurs plus courtes donne de meilleurs résultats.
- Taillez uniquement l'herbe sèche.
- Les clôtures en fil de fer et les piquets peuvent accroître le risque d'usure ou de casse du fil. Les murs en pierre et en brique, les bordures en béton et le bois peuvent user le fil de manière prématurée.
- Évitez les arbres et les arbustes. L'écorce des arbres, les moulures en bois, les parements et les poteaux de clôture peuvent facilement être endommagés par le fil.

## Pour régler la longueur du fil de coupe

La tête de coupe permet à l'opérateur de libérer du fil de coupe supplémentaire sans arrêter le moteur. Au fur et à mesure que le fil s'effiloche ou s'use, il est possible de libérer une longueur de fil supplémentaire en cognant en douceur la tête de coupe au sol pendant que la taille-haie est en marche (Fig. 14).

Fig. 14



**⚠ AVERTISSEMENT** Ne retirez pas ou ne modifiez pas l'ensemble de lame de coupe du fil. Une longueur de fil excessive peut provoquer une surchauffe du moteur et entraîner des blessures graves.

Pour de meilleurs résultats, cognez la tête de coupe en douceur sur un sol nu ou dur. Si l'on tente de libérer du fil dans l'herbe haute, le moteur risque de surchauffer. Veillez à ce que le fil de coupe reste entièrement déployé. Plus le fil de coupe raccourcit, plus il est difficile de libérer du fil neuf.

## Remplacement du fil

**REMARQUE** : Il faut toujours utiliser le fil de coupe en nylon recommandé dont le diamètre ne dépasse pas 2,0 mm / 0,08 po. L'utilisation d'un fil différent de celui qui est spécifié peut provoquer une surchauffe du taille-haie ou l'endommager.

**⚠ AVERTISSEMENT** N'utilisez jamais de câble, de corde ou de fil renforcé en métal, etc. Ceux-ci peuvent se briser et devenir des projectiles dangereux.

**⚠ AVERTISSEMENT** Pour éviter des blessures graves, retirez le bloc-piles de l'outil avant d'effectuer toute opération d'entretien, de nettoyage, de changement d'accessoire ou de retrait de végétaux de l'appareil.

1. Détachez le bloc-piles du taille-haie.
2. Coupez un morceau de fil de coupe de 5 m / 16 pi de longueur. Insérez le fil dans l'œillet. Poussez le fil jusqu'à ce que l'extrémité du fil sorte de l'autre côté de la tête de coupe. Tirez le fil de l'autre côté jusqu'à ce que des longueurs égales de fil apparaissent des deux côtés (Fig. 15).
3. Appuyez, tout en tournant le support de bobine dans le sens indiqué par la flèche pour enrouler le fil de coupe dans la bobine se trouvant à l'intérieur de la tête de coupe jusqu'à ce qu'il reste environ 13 cm / 5,1 po de fil de chaque côté (Fig. 16).

Fig. 15

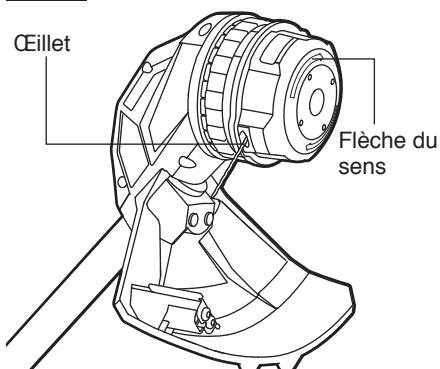
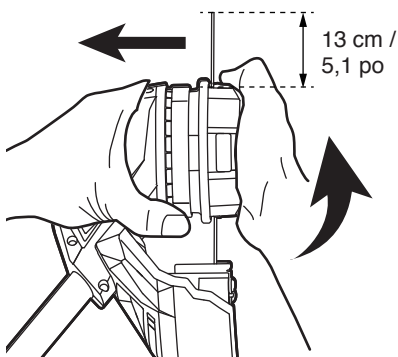


Fig. 16



- Appuyez sur la tête de coupe tout en tirant sur les deux extrémités du fil pour faire avancer manuellement le fil et vérifier la bonne installation du fil de coupe.

## Recharger le fil de coupe

**REMARQUE :** Lorsque le fil se coupe au niveau de la sortie de fil ou lorsque le fil n'est pas libéré lorsque la tête de coupe est cognée au sol, vous devez retirer le fil de coupe restant du support de bobine et suivre les étapes ci-dessous pour recharger le fil.

- Détachez le bloc-piles du taille-haie.
- Pressez les languettes de libération sur le cache supérieur et retirez le cache inférieur de la tête de coupe en le tirant vers l'extérieur (Fig. 17 et 18).

Fig. 17

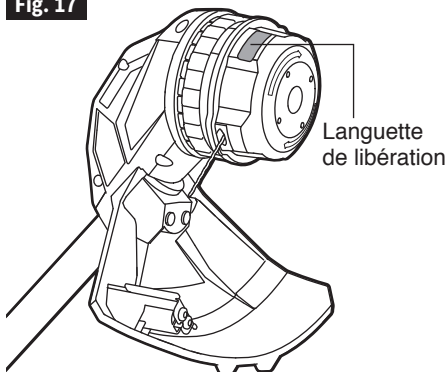
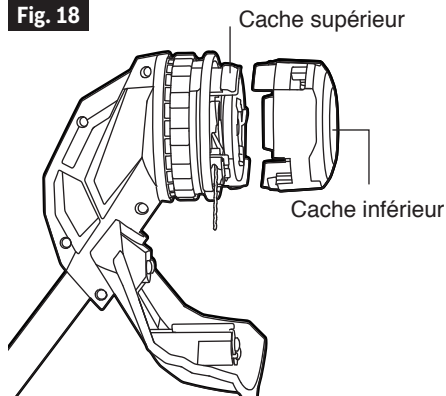


Fig. 18



- Retirez le fil de coupe du support de bobine.
- En tenant le cache supérieur d'une main, utilisez l'autre main pour saisir le cache inférieur de la tête de coupe et alignez les languettes du cache supérieur sur les évidements du cache inférieur ; utilisez la paume de votre main pour presser le cache inférieur jusqu'à ce qu'il s'enclenche en place. (Fig. 19 et 20).
- Suivez les instructions de la section « Remplacer le fil » pour recharger le fil de coupe.

Fig. 19

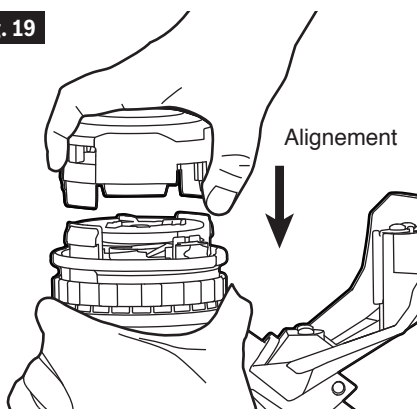
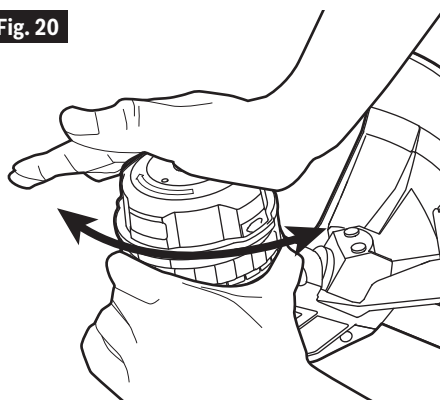


Fig. 20



## ENTRETIEN

**⚠ AVERTISSEMENT** Lors de toute réparation, n'utilisez que des pièces de rechange identiques. L'utilisation de toute autre pièce peut être dangereuse ou endommager le produit.

Inspectez périodiquement le produit dans son intégralité pour vous assurer qu'il ne présente pas de pièces endommagées, manquantes ou desserrées, comme des vis, des écrous, des boulons, des capuchons, etc. Serrez fermement toutes les fixations et tous les capuchons et n'utilisez pas ce produit tant que toutes les pièces manquantes ou endommagées n'ont pas été remplacées. Veuillez communiquer avec le service à la clientèle ou un centre de service après vente agréé pour obtenir de l'aide.

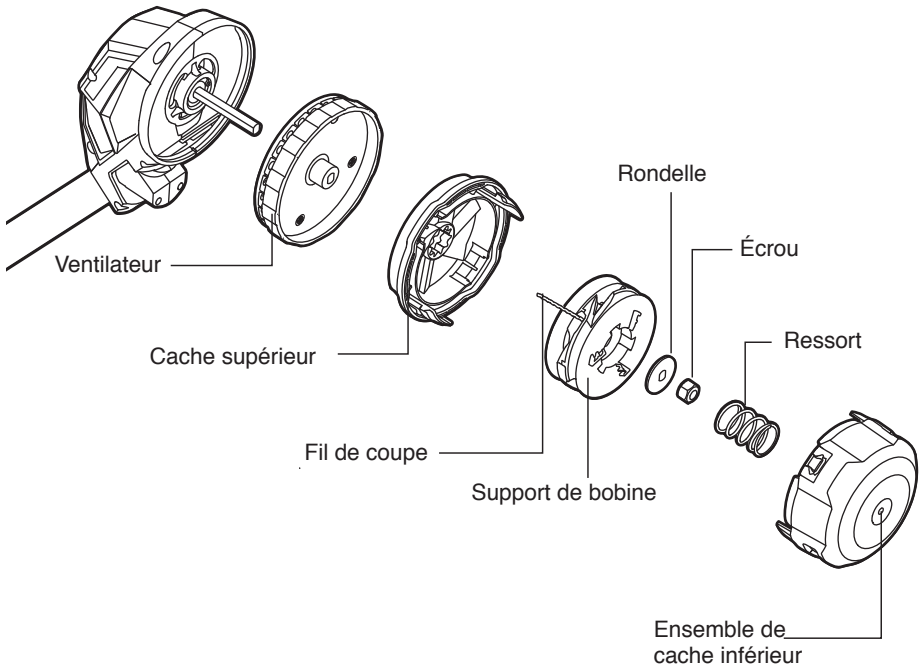
**⚠ AVERTISSEMENT** Les outils à piles n'ont pas besoin d'être branchés à une prise électrique ; ils sont donc toujours en état de fonctionnement. Pour éviter des blessures graves, prenez des précautions supplémentaires lors de l'entretien, de la réparation ou du changement de l'outil de coupe ou d'autres accessoires.

**⚠ AVERTISSEMENT** Pour éviter des blessures graves, retirez toujours le bloc-piles de l'outil lors du nettoyage ou de l'entretien.

### Remplacer la tête de coupe

**⚠ DANGER** Si la tête se desserre après avoir été fixée en place, remplacez-la immédiatement. N'utilisez jamais un taille-haie avec un outil de coupe desserré. Remplacez immédiatement toute tête de coupe fissurée, endommagée ou usée, même si les dommages se limitent à des fissures superficielles. De tels éléments peuvent se briser à grande vitesse et causer des blessures graves.

Fig. 21



## Retirer la tête de coupe

1. Détachez le bloc-piles du taille-haie.
2. Appuyez sur les languettes de libération sur la tête de coupe et retirez le cache inférieur de la tête de coupe en la tirant vers l'extérieur.
3. Retirez le fil de coupe de la tête de coupe (Fig. 22).
4. Retirez le ressort du cache inférieur, si nécessaire. Conservez-le pour le remontage.
5. Portez des gants. Saisissez la bobine d'une main afin de la stabiliser, et utilisez l'autre main pour tenir une clé à chocs afin de desserrer l'écrou dans le sens inverse des aiguilles d'une montre (Fig. 23).
6. Retirez l'écrou, l'ensemble de bobine, le cache supérieur et le ventilateur de l'arbre moteur.
7. Remplacez la tête de coupe par une tête neuve et installez-la comme indiqué ci-après.

Fig. 22

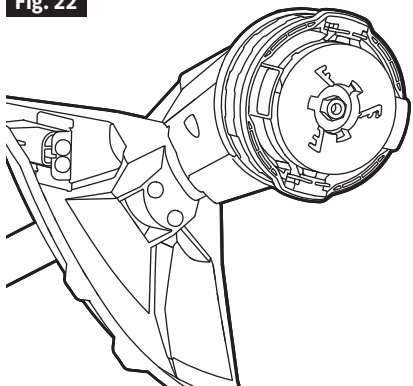
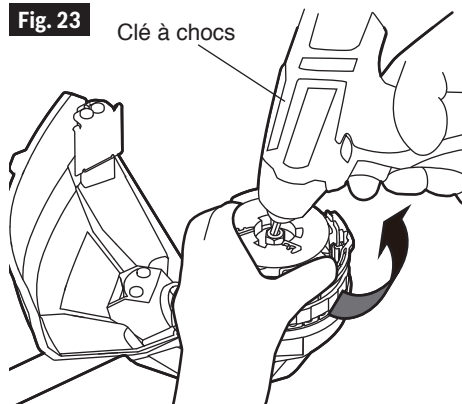


Fig. 23



## Installer la tête de coupe neuve

1. Alignez la rainure de l'ensemble de ventilateur avec la cannelure de l'arbre moteur et installez l'ensemble de ventilateur.
2. Montez le cache supérieur, l'ensemble de bobine et la rondelle dans cet ordre. Utilisez une clé à chocs pour serrer l'écrou.
3. Suivez les étapes 4 et 5 de la section « **Recharger le fil de coupe** » de ce mode d'emploi pour monter l'ensemble de cache inférieur.
4. Suivez les instructions de la section « **Remplacer le fil** » de ce mode d'emploi pour recharger le fil de coupe.
5. Démarrez l'outil pour vérifier que le taille-haie fonctionne normalement. Si ce n'est pas le cas, remontez les éléments comme décrit ci-dessus.

## Nettoyage du taille-haie

- Retirez l'herbe qui s'est éventuellement enroulée autour de l'arbre moteur ou de la tête de coupe.
- Utilisez une petite brosse ou un petit aspirateur pour nettoyer les aérations.
- Veillez à ce que les aérations ne soient pas obstruées.
- Nettoyez l'appareil avec un chiffon humide et un détergent doux.

- N'utilisez pas de détergents puissants sur le boîtier en plastique ou sur la poignée. Ces éléments peuvent être endommagés par certaines huiles aromatiques, comme celles issues du pin et du citron, et par des solvants comme le kérosène. L'humidité peut également provoquer un risque de choc électrique. Essayez toute trace d'humidité avec un chiffon doux et sec.

## Comment affûter la lame de coupe du fil

**⚠ AVERTISSEMENT** Protégez toujours vos mains en portant des gants résistants lorsque vous effectuez des travaux d'entretien sur la lame de coupe du fil.

1. Détachez le bloc-piles de l'outil. Démontez la lame de coupe du fil pour la retirer de la protection.
2. Portez une protection des yeux et des gants appropriés et prenez garde à ne pas vous couper.
3. Serrez la lame dans un étau.
4. Limez soigneusement les bords coupants de la lame à l'aide d'une lime à stries douces ou d'une pierre à aiguiser, en conservant l'angle de coupe d'origine.
5. Remplacez la lame sur la protection et fixez-la en place à l'aide des deux vis.

## Entreposage du taille-haie

- Retirez le bloc-piles du taille-haie.
- Nettoyez soigneusement l'outil avant de le ranger.
- Entrez l'appareil dans un endroit sec, bien aéré, fermé à clé ou en hauteur, hors de portée des enfants. N'entrez pas l'appareil sur ou à proximité d'engrais, d'essence ou d'autres produits chimiques.

## Réparations

Nous recommandons de confier toute opération de réparation de l'outil à un centre de service après-vente d'usine SKIL ou un centre de service SKIL agréé

## DÉPANNAGE

Problème	Cause	Remède
Le taille-haie ne démarre pas.	<ol style="list-style-type: none"> <li>1. Le bloc-piles n'est pas attaché au taille-haie.</li> <li>2. Pas de contact électrique entre le taille-haie et le bloc-piles.</li> <li>3. Le bloc-piles est déchargé.</li> <li>4. Le bouton de déverrouillage et l'interrupteur à gâchette ne sont pas enfoncés simultanément.</li> </ol>	<ol style="list-style-type: none"> <li>1. Attachez le bloc-piles au taille-haie.</li> <li>2. Détachez la pile, contrôlez les contacts et réinstallez le bloc-piles.</li> <li>3. Chargez le bloc-piles.</li> <li>4. Pressez et maintenez enfoncé le bouton de déverrouillage, puis pressez l'interrupteur à gâchette pour mettre le taille-haie en marche.</li> </ol>
Le taille-haie s'arrête pendant la coupe.	<ol style="list-style-type: none"> <li>1. Le protecteur n'est pas monté sur le taille-haie, ce qui entraîne une longueur excessive du fil de coupe et une surcharge du moteur.</li> <li>2. Le type de fil de coupe utilisé est incorrect.</li> <li>3. Une accumulation d'herbe bloque l'arbre moteur ou la tête de coupe.</li> <li>4. Le moteur est surchargé.</li> <li>5. Le bloc-piles ou le taille-haie est trop chaud.</li> <li>6. Le bloc-piles est déconnecté de l'outil.</li> <li>7. Le bloc-piles est déchargé.</li> </ol>	<ol style="list-style-type: none"> <li>1. Retirez le bloc-piles et montez la protection sur le taille-haie.</li> <li>2. Utilisez le fil de coupe en nylon recommandé, d'un diamètre maximal de 2,0 mm / 0,08 po.</li> <li>3. Arrêtez le taille-haie, retirez la pile et enlevez l'herbe de l'arbre moteur et de la tête de coupe.</li> <li>4. Sortez la tête de coupe de l'herbe. Le moteur reprend lorsque la charge est retirée. Lors de la coupe, déplacez la tête de coupe en la faisant entrer et sortir de l'herbe à couper par un mouvement de va-et-vient et ne coupez pas une longueur d'herbe trop importante en une seule passe.</li> <li>5. Laissez le bloc-piles ou le taille-haie refroidir.</li> <li>6. Réinstallez le bloc-piles.</li> <li>7. Chargez le bloc-piles.</li> </ol>



Problème	Cause	Remède
La tête de coupe n'avance pas le fil.	<ol style="list-style-type: none"> <li>1. Une accumulation d'herbe bloque l'arbre moteur ou la tête de coupe.</li> <li>2. Il n'y a pas assez de fil dans la tête de coupe ou le fil se coupe au niveau de l'œillet.</li> <li>3. Le fil est emmêlé dans la tête de coupe.</li> <li>4. Le fil est trop court.</li> </ol>	<ol style="list-style-type: none"> <li>1. Arrêtez le taille-haie, retirez la pile et nettoyez l'arbre moteur et la tête de coupe.</li> <li>2. Retirez la pile et remplacez le fil de coupe en suivant les consignes de la section « <b>Remplacer le fil</b> » de ce mode d'emploi.</li> <li>3. Retirez la pile ; retirez le fil de la tête de coupe et rembobinez-le en suivant les consignes de la section « <b>Remplacer le fil</b> » de ce mode d'emploi.</li> <li>4. Retirez la pile et tirez les deux extrémités du fil manuellement tout en pressant et relâchant la tête de coupe de manière alternative.</li> </ol>
L'herbe s'enroule autour de la tête de coupe et du boîtier du moteur.	<ol style="list-style-type: none"> <li>1. Coupe de l'herbe haute au niveau du sol</li> </ol>	<ol style="list-style-type: none"> <li>1. Coupez l'herbe haute du haut vers le bas, ne coupez pas une longueur d'herbe trop importante d'une seule passe pour éviter qu'elle ne s'enroule.</li> </ol>
La lame ne coupe pas le fil.	<ol style="list-style-type: none"> <li>1. La lame de coupe du fil située sur le bord de la protection s'est émoussée.</li> </ol>	<ol style="list-style-type: none"> <li>1. Aiguissez la lame de coupe du fil avec une lime ou remplacez-la par une lame neuve.</li> </ol>
Fissures sur la tête de coupe ou l'ensemble de bobine se détache.	<ol style="list-style-type: none"> <li>1. La tête de coupe est usée.</li> <li>2. L'écrou qui bloque la tête de coupe est desserré.</li> </ol>	<ol style="list-style-type: none"> <li>1. Remplacez la tête de coupe immédiatement en suivant les consignes de la section « <b>Remplacer la tête de coupe</b> » de ce mode d'emploi.</li> <li>2. Ouvrez la tête de coupe et serrez l'écrou à l'aide d'une clé à chocs (14 mm).</li> </ol>

# **GARANTIE LIMITÉE DES OUTILS ÉLECTRIQUES GRAND PUBLIC SKIL PORTATIFS POUR USAGE INDUSTRIEL HD, SHD ET MAG**

Chervon North America (le « Vendeur ») garantit à l'acheteur initial seulement que tous les outils électriques grand public SKIL portatifs pour usage industriel HD, SHD et MAG seront exempts de vices de matériau ou de façon pendant une période d'un an depuis la date d'achat. Les modèles d'outils électriques grand public SKIL portatifs seront exempts de vices de matériau ou de façon pendant une période de quatre-vingt-dix jours si l'outil est utilisé professionnellement.

LA SEULE OBLIGATION DU VENDEUR ET LE SEUL RECOURS DE L'ACHETEUR sous la présente garantie limitée, et dans la mesure où la loi le permet sous toute garantie ou condition implicite qui en découlerait, sera l'obligation de remplacer ou réparer gratuitement les pièces défectueuses en termes de matériau ou de façon, pourvu que lesdites déficiences ne soient pas attribuables à un usage abusif ou à quelque réparation ou altération bricolée par quelqu'un d'autre que le Vendeur ou le personnel d'une station-service agréée. En cas de réclamation sous la présente garantie limitée, l'acheteur est tenu de renvoyer l'outil complet en port payé à un centre de service-usine SKIL ou une station-service agréée. Pour trouver les coordonnées de la station-service agréée SKIL la plus proche, veuillez visiter [www.Registernyskil.com](http://www.Registernyskil.com) ou téléphoner au 1-877-SKIL-999 (1-877-754-5999).

LA PRÉSENTE GARANTIE NE S'APPLIQUE PAS AUX ACCESSOIRES TELS QUE LAMES DE SCIE CIRCULAIRE, MÊCHES DE PERCEUSES, FERS DE TOUPIES, LAMES DE SCIES SAUTEUSES, COURROIES DE PONÇAGE, MEULES ET AUTRES ARTICLES DU GENRE.

TOUTE GARANTIE IMPLICITE SERA LIMITÉE À UNE DURÉE À UN AN À COMPTER DE LA DATE D'ACHAT. COMME CERTAINS ÉTATS AMÉRICAINS ET CERTAINES PROVINCES CANADIENNES N'ADMETTENT PAS LE PRINCIPE DE LA LIMITATION DE LA DURÉE DES GARANTIES IMPLICITES, IL EST POSSIBLE QUE LES LIMITATIONS CI-DESSUS NE S'APPLIQUENT PAS À VOTRE CAS.

EN AUCUN CAS LE VENDEUR NE SAURAIT ÊTRE TENU POUR RESPONSABLE DES INCIDENTS OU DOMMAGES INDIRECTS (INCLUANT, MAIS NE SE LIMITANT PAS AUX PERTES DE PROFITS) CONSÉCUTIFS À LA VENTE OU À L'USAGE DE CE PRODUIT. COMME CERTAINS ÉTATS AMÉRICAINS ET CERTAINES PROVINCES CANADIENNES N'ADMETTENT PAS LE PRINCIPE DE LA LIMITATION OU DE L'EXCLUSION DES DOMMAGES INDIRECTS ET SECONDAIRES, IL EST POSSIBLE QUE LES LIMITATIONS OU EXCLUSIONS CI-DESSUS NE S'APPLIQUENT PAS À VOTRE CAS.

CETTE GARANTIE LIMITÉE VOUS DONNE DES DROITS PRÉCIS, ET VOUS POUVEZ ÉGALEMENT AVOIR D'AUTRES DROITS QUI VARIENT D'UN ÉTAT À L'AUTRE AUX ÉTATS-UNIS, D'UNE PROVINCE À L'AUTRE AU CANADA, ET D'UN PAYS À L'AUTRE.

CETTE GARANTIE LIMITÉE S'APPLIQUE UNIQUEMENT AUX OUTILS VENDUS AUX ÉTATS-UNIS D'AMÉRIQUE, AU CANADA ET DANS LE COMMONWEALTH DE PORTO RICO. POUR CONNAÎTRE LA COUVERTURE DE GARANTIE DANS LES AUTRES PAYS, CONTACTEZ VOTRE IMPORTATEUR OU REVENDEUR SKIL LOCAL.

© Chervon North America, 1203 E. Warrenville Rd, Naperville, IL 60563.

11/19

# ÍNDICE

Instrucciones de seguridad importantes .....	52-55
Símbolos .....	56-58
Familiarícese con su orilladora de hilo .....	59
Especificaciones .....	60
Accesorio recomendado .....	60
Ensamblaje .....	61-63
Instrucciones de utilización .....	64-69
Mantenimiento .....	70-72
Resolución de problemas .....	73-74
Garantía limitada de SKIL Consumer Tool .....	75

## **ADVERTENCIA**

- Parte del polvo causado por el lijado eléctrico, el serruchado, la trituración, el taladro y otras actividades de construcción contiene sustancias químicas que, según el estado de California, causan cáncer, defectos congénitos u otros daños reproductivos. Algunos ejemplos de estos productos químicos son:
  - Plomo de pinturas a base de plomo.
  - Sílice cristalina de ladrillos, cemento y otros productos de mampostería.
  - Arsénico y cromo de madera tratada con químicos.
- El riesgo que corre debido a la exposición a estos químicos varía según la frecuencia con que realiza este tipo de trabajo. Para reducir la exposición a estas sustancias químicas:
  - Trabaje en un área bien ventilada.
  - Trabaje con equipo de seguridad aprobado, como las mascarillas antipolvo especialmente diseñadas para filtrar partículas microscópicas.
  - Evite estar en contacto prolongado con el polvo provocado por el lijado, el aserrado, la trituración y el taladrado, y otras actividades de construcción. Use ropa protectora y lave todas las áreas expuestas del cuerpo con agua y jabón. Si permite que el polvo llegue a su boca o a sus ojos, o que caiga sobre la piel, podría fomentar la absorción de productos químicos dañinos.

# INSTRUCCIONES DE SEGURIDAD IMPORTANTES

**⚠️ ADVERTENCIA** Lea todas las advertencias de seguridad, instrucciones, ilustraciones y especificaciones suministradas con esta herramienta eléctrica. Si no se siguen todas las instrucciones que se indican a continuación, es posible que el resultado sea descargas eléctricas, incendio y/o lesiones graves.

## **GUARDE TODAS LAS ADVERTENCIAS E INSTRUCCIONES PARA REFERENCIA FUTURA.**

La expresión “herramienta eléctrica” que se incluye en las advertencias se refiere a su herramienta eléctrica alimentada por la red eléctrica (alámbrica) o su herramienta eléctrica alimentada por baterías (inalámbrica).

**⚠️ ADVERTENCIA** Cuando se utilicen orilladoras eléctricas, se deberán seguir siempre precauciones básicas de seguridad para reducir el riesgo de incendio, descargas eléctricas y lesiones personales, incluyendo las siguientes:

**⚠️ PELIGRO** No confíe en el aislamiento de la herramienta contra las descargas eléctricas. Para reducir el riesgo de electrocución, no utilice nunca la herramienta en las proximidades de alambres o cables que puedan llevar corriente eléctrica.

**⚠️ PRECAUCIÓN** Use protección personal adecuada de la audición durante la utilización de la herramienta. En algunas condiciones y duraciones de uso, es posible que el ruido generado por este producto contribuya a la pérdida de audición.

**Mantenga alejados a los niños:** Se deberá mantener a todos los visitantes a una distancia de al menos 100 pies del área de trabajo.

**Evite los entornos peligrosos:** No utilice electrodomésticos en una pendiente húmeda o mojada.

**Vístase adecuadamente:** No use ropa holgada ni joyas. La ropa holgada y las joyas pueden quedar atrapadas en las piezas móviles. Se recomienda usar guantes de caucho y calzado resistente cuando se trabaje a la intemperie. Use una cubierta protectora del pelo para sujetar el pelo largo.

**Use anteojos de seguridad:** Use siempre una careta o una máscara antipolvo si la operación genera polvo.

**Utilice la herramienta adecuada:** No utilice la herramienta para cualquier trabajo, excepto aquel para el cual está diseñada.

**No fuerce la orilladora:** Esta hará el trabajo mejor y con menos probabilidad de riesgo de lesiones a la velocidad para la que fue diseñada.

**No intente alcanzar demasiado lejos:** Mantenga un apoyo de los pies y un equilibrio adecuados en todo momento.

**Manténgase alerta:** Esté atento a lo que está haciendo. Use el sentido común. No utilice la orilladora cuando esté cansado.

**No utilice la orilladora mientras esté bajo la influencia del alcohol o las drogas.**

**Mantenga los protectores instalados en la posición correcta y en buenas condiciones de funcionamiento.**

**Mantenga las manos y los pies alejados del área de corte.**

**Almacene la orilladora en un lugar interior:** Cuando no se esté utilizando, la orilladora se deberá almacenar en un lugar interior seco y elevado o cerrado con llave, con el paquete de batería retirado, fuera del alcance de los niños.

**Mantenga la orilladora con cuidado:** Mantenga limpio el aditamento de corte para obtener el mejor rendimiento y reducir el riesgo de lesiones. Siga las instrucciones para cambiar accesorios. Mantenga los mangos secos, limpios y libres de aceite y grasa.

**Compruebe si hay piezas dañadas:** Antes de seguir utilizando la orilladora, un protector u otra pieza que presente daños se deberá comprobar cuidadosamente para determinar si funcionará correctamente y realizará su función prevista. Compruebe la alineación de las piezas móviles, si hay atoramiento de piezas móviles, si hay rotura de piezas, el montaje y cualquier otra situación que pueda afectar a su funcionamiento. Un protector u otra pieza que presente daños deberá ser reparado o reemplazado adecuadamente por un centro de servicio autorizado, a menos que se indique otra cosa en otro lugar de este manual.

**Despeje el área que se vaya a cortar antes de cada uso.** Retire todos los objetos, tales como rocas, vidrio roto, clavos, alambres o hilos que puedan ser lanzados al aire o engancharse en el aditamento de corte. Asegúrese de que otras personas y los animales domésticos estén al menos a 100 pies (30,5 m) de distancia.

**Agarre siempre firmemente la orilladora, con las dos manos en los mangos, mientras la esté utilizando. Envuelva los dedos y los pulgares alrededor de los mangos.**

**Evite los arranques accidentales:** No transporte la orilladora con el dedo en el gatillo.

**No utilice la orilladora en atmósferas gaseosas o explosivas.** Los motores de estos electrodomésticos normalmente generan chispas y las chispas podrían incendiar los vapores.

**Daños a la orilladora:** Si golpea un objeto extraño con la orilladora o si esta se engancha, pare inmediatamente la herramienta, compruebe si hay daños y haga que cualquier daño sea reparado antes de intentar cualquier utilización adicional. No utilice la herramienta con protector roto o una bobina rota.

**Si el equipo comienza a vibrar anómalamente, pare el motor y realice una comprobación inmediata para determinar la causa.** La vibración es generalmente una advertencia de problemas. Es posible que un cabezal flojo vibre, se agriete, se rompa o se desprenda de la orilladora, lo cual puede causar lesiones graves o mortales. Asegúrese de que el aditamento de corte esté fijo adecuadamente en la posición correcta. Si el cabezal se afloja después de fijarlo en la posición correcta, reemplácelo inmediatamente. No utilice nunca una orilladora con un aditamento de corte flojo.

**Reemplace inmediatamente un cabezal de corte agrietado, dañado o desgastado, incluso si el daño está limitado a grietas superficiales.** Es posible que los aditamentos de este tipo se rompan en pedazos a alta velocidad y causen lesiones graves o mortales.

**Compruebe el aditamento de corte a intervalos cortos regulares durante su utilización o inmediatamente si hay un cambio notable en el comportamiento de barrido.**

**Cuando reemplace el hilo de corte, utilice hilo de nylon de no más de 2,0 mm;** la utilización de hilos más gruesos que los recomendados por el fabricante aumenta la carga sobre el motor y reduce su velocidad de funcionamiento. Esto causa sobrecalentamiento y daños a la orilladora.

**Para reducir el riesgo de lesiones graves, no utilice nunca hilo reforzado con alambre o con metal u otro material en lugar de los hilos de corte de nylon.** Se podrían romper pedazos de alambre y ser lanzados al aire a alta velocidad hacia el operador o las personas que estén presentes.

**Para reducir el riesgo de lesiones por pérdida de control, no trabaje nunca subido a una escalera de mano o sobre cualquier otro soporte inseguro. No agarre nunca el aditamento de corte por encima de la altura de la cintura.**

**Si ocurren situaciones que no estén cubiertas en este manual, tenga cuidado y aplique un criterio sensato. Contacte al Centro de Servicio al Cliente de SKIL para obtener asistencia.**

**No cargue el paquete de batería en la lluvia ni en lugares mojados.**

**Utilice la herramienta solo con los paquetes de batería y los cargadores que se indican a continuación:**

<b>Paquete de baterías</b>	<b>Cargadores</b>
<b>BY8705-00</b> <b>BY8708-00</b>	<b>SC5364-00</b>

**Recargue la unidad solo con el cargador especificado por el fabricante.** Es posible que un cargador que sea adecuado para un tipo de paquete de batería cree un riesgo de incendio cuando se utilice con otro paquete de batería.

**Utilice los electrodomésticos solo con paquetes de batería designados específicamente.** Es posible que la utilización de cualquier otro paquete de batería cree un riesgo de lesiones e incendio.

**Cuando el paquete de batería no se esté utilizando, manténgalo alejado de otros objetos metálicos, tales como clips sujetapapeles, monedas, llaves, clavos, tornillos u otros objetos metálicos pequeños que puedan hacer una conexión de un terminal a otro.** Si se cortocircuitan juntos los terminales de la batería, es posible que el resultado sea quemaduras o un incendio.

**En condiciones abusivas, es posible que se expulse líquido de la batería; evite el contacto. Si ocurre contacto accidentalmente, enjuague con agua el área afectada.** Si entra líquido en contacto con los ojos, obtenga además ayuda médica. Es posible que el líquido expulsado de la batería cause irritación o quemaduras.

**No utilice un paquete de batería o un electrodoméstico que estén dañados o modificados.** Es posible que las baterías dañadas o modificadas exhiban un comportamiento imprevisible que cause un incendio, una explosión o riesgo de lesiones.

**Siga todas las instrucciones de carga y no cargue el paquete de batería ni el electrodoméstico fuera del intervalo de temperaturas especificado en las instrucciones.** Es posible que la realización de la carga de manera inadecuada o a temperaturas que estén fuera del intervalo especificado dañe la batería y aumente el riesgo de incendio.

**No deseche la batería en un fuego.** Es posible que las celdas exploten. Consulte los códigos locales para obtener posibles instrucciones especiales de eliminación.

**No abra ni mute la batería.** El electrolito liberado es corrosivo y es posible que cause daños en los ojos o la piel. Puede que sea tóxico si se traga.

**Tenga cuidado al manejar las baterías para no cortocircuitarlas con materiales conductores tales como anillos, pulseras y llaves.** Es posible que la batería o el conductor se sobrecalienten y causen quemaduras.

**Piezas de repuesto:** Cuando realice servicio de ajustes y reparaciones, utilice únicamente piezas de repuesto SKIL idénticas. Es posible que la utilización de cualquier otro accesorio o aditamento aumente el riesgo de lesiones.

**Las herramientas a batería no tienen que enchufarse en un tomacorriente; por lo tanto, siempre están en condiciones de funcionamiento.** Esté atento a los posibles peligros incluso cuando la herramienta no esté en funcionamiento. Tenga cuidado cuando realice mantenimiento o servicio de ajustes y reparaciones.

**Desconecte el paquete de batería del electrodoméstico antes de hacer cualquier ajuste, cambiar accesorios o almacenar el electrodoméstico.** Dichas medidas preventivas de seguridad reducen el riesgo de arrancar accidentalmente el electrodoméstico.

**No lave la herramienta con una manguera; evite la entrada de agua en el motor y en las conexiones eléctricas.**

**No incinere el electrodoméstico incluso si está severamente dañado. Las baterías pueden explotar en un fuego.**

**No exponga el paquete de batería ni la herramienta a un fuego o a una temperatura excesiva.** Es posible que la exposición a un fuego o a una temperatura superior a 212 °F (100 °C) cause una explosión.

**Prevenga los arranques accidentales. Asegúrese de que el interruptor está en la posición de apagado antes de conectar el electrodoméstico al paquete de batería, levantarlo o transportarlo.** Si se transporta el electrodoméstico con el dedo en el interruptor o si se suministra corriente a un electrodoméstico que tenga el interruptor en la posición de encendido, se invita a que se produzcan accidentes.

**Haga que el servicio de ajustes y reparaciones sea realizado por un técnico de reparaciones calificado que utilice únicamente piezas de repuesto idénticas.** Esto garantizará que se mantenga la seguridad del producto.

**Guarde estas instrucciones.** Consúltelas frecuentemente y utilícelas para instruir a otras personas que puedan utilizar esta herramienta. Si le presta esta herramienta a otra persona, préstele también estas instrucciones para evitar un uso incorrecto del producto y posibles lesiones.





**¡GUARDE ESTAS INSTRUCCIONES!**

# SÍMBOLOS

## Símbolos de seguridad

El objetivo de los símbolos de seguridad es captar su atención ante posibles peligros. Los símbolos de seguridad y las explicaciones que se dan merecen su atención y comprensión cuidadosa. Las advertencias del símbolo no eliminan por sí mismas ningún peligro. Las instrucciones y las advertencias que se dan no son sustitutos de las medidas adecuadas de prevención de accidentes.

**⚠ ADVERTENCIA** Asegúrese de leer y de comprender todas las instrucciones de seguridad en este manual del propietario, incluidos todos los símbolos de alerta de seguridad como “**PELIGRO**”, “**ADVERTENCIA**” y “**PRECAUCIÓN**” antes de usar esta herramienta. El incumplimiento de las siguientes instrucciones puede provocar descargas eléctricas, incendios y/o lesiones personales graves.

Las definiciones que se ofrecen a continuación describen el nivel de gravedad de cada símbolo. Lea el manual y preste atención a dichos símbolos.	
	Este es el símbolo de advertencia de seguridad. Se utiliza para advertirlo de los peligros de posibles lesiones personales. Cumpla con todos los mensajes de seguridad a continuación de este símbolo para evitar posibles lesiones o consecuencias fatales.
	PELIGRO indica una situación de peligro que, de no evitarse, ocasionará la muerte o lesiones graves.
	ADVERTENCIA indica una situación potencialmente peligrosa que, de no evitarse, puede ocasionar la muerte o lesiones graves.
	PRECAUCIÓN, se usa con el símbolo de advertencia de seguridad e indica una situación peligrosa que, de no evitarse, puede causar lesiones menores o moderadas.

## Mensajes de prevención de daños e información

Estos mensajes informan al usuario sobre informaciones y/o instrucciones importantes que, de no seguirse, pueden causar daños al equipo o la propiedad. Antes de cada mensaje, aparece la palabra “AVISO”, como en el ejemplo a continuación:

**AVISO:** Si no se siguen estas instrucciones se pueden producir daños al equipo o la propiedad.







**⚠ ADVERTENCIA** Durante el funcionamiento de cualquier herramienta eléctrica, pueden entrar objetos extraños a los ojos y causar graves daños oculares. Use siempre lentes o gafas de seguridad con protecciones laterales y, cuando sea necesario, un protector facial que cubra todo el rostro antes de comenzar a operar una herramienta eléctrica. Recomendamos usar una máscara de seguridad de visión amplia sobre los lentes o las gafas de seguridad estándar con protección lateral. Siempre use lentes de protección que cumplan con la norma ANSI Z87.1.



## SÍMBOLOS (CONTINUACIÓN)

**IMPORTANTE:** algunos de los siguientes símbolos pueden aparecer en sus herramientas. Obsérvelos y conozca su significado. La interpretación correcta de estos símbolos le permitirá utilizar la herramienta de manera eficaz y segura.

Símbolo	Nombre	Designación/Explicación
V	Voltios	Voltaje (potencial)
A	Amperios	Corriente
Hz	Hertz	Frecuencia (ciclos por segundo)
W	Vatios	Potencia
kg	Kilogramos	Peso
min	Minutos	Tiempo
s	Segundos	Tiempo
Wh	Vatio por horas	Capacidad de la batería
Ah	Amperios por hora	Capacidad de la batería
∅	Diámetro	Tamaño de las brocas para taladro, piedras de amolar, etc.
$n_0$	Velocidad sin carga	Velocidad de rotación sin carga
n	Rango de velocidad	Velocidad máxima alcanzable
.../min	Revoluciones o pasadas por minuto	Revoluciones, pasadas, velocidad de superficie, órbitas, etc. por minuto
SPM	Carreras por minuto	Velocidad de carrera, sin carga
IPX4	Grado de protección contra la penetración	Protección contra las salpicaduras de agua
→	Flecha	Acción en la dirección de la flecha
~	Corriente alterna	Tipo o característica de corriente
—	Corriente directa	Tipo o característica de corriente
	Sello de iones de litio de RBRC	Designa el programa de reciclaje de baterías de iones de litio
	Símbolo de lectura del manual	Indica al usuario que lea el manual
	Símbolo de uso de lentes de protección	Use siempre anteojos de seguridad y gafas de seguridad con escudos laterales y una careta completa cuando utilice este producto.
	No exponer a la lluvia.	La herramienta no se puede utilizar en la lluvia ni se puede dejar a la intemperie bajo la lluvia.

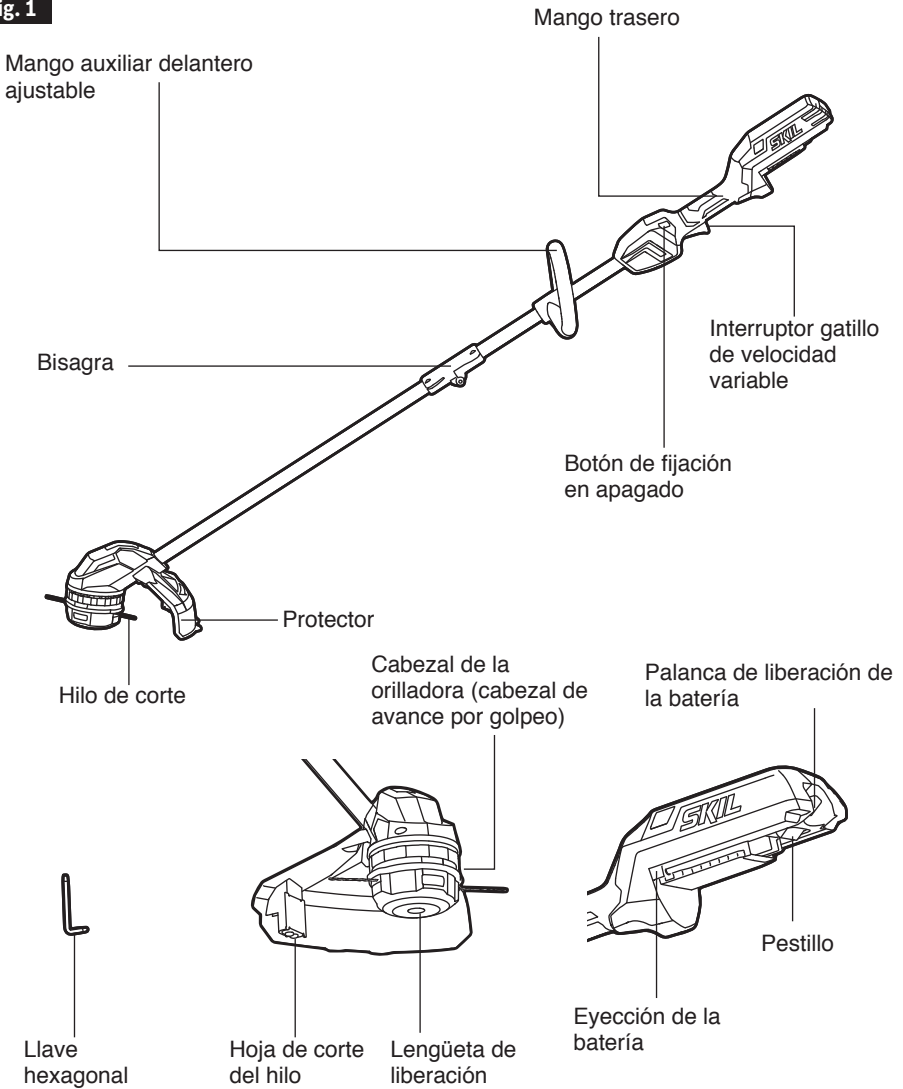
## SÍMBOLOS (INFORMACIÓN DE CERTIFICACIÓN)

**IMPORTANTE:** Puede que algunos de los siguientes símbolos aparezcan en sus herramientas. Obsérvelos y aprenda su significado. La interpretación correcta de estos símbolos le permitirá utilizar la herramienta de manera eficaz y más segura.

Símbolo	Designación/Explicación
	Este símbolo designa que esta herramienta está incluida en la lista de Underwriters Laboratories.
	Este símbolo designa que esta herramienta es reconocida por Underwriters Laboratories.
	Este símbolo designa que esta herramienta está incluida en la lista de Underwriters Laboratories, conforme a las normas de Estados Unidos y Canadá.
	Este símbolo designa que esta herramienta está incluida en la lista de Canadian Standards Association.
	Este símbolo designa que esta herramienta está incluida en la lista de Canadian Standards Association, conforme a las normas de Estados Unidos y Canadá.
	Este símbolo designa que esta herramienta está incluida en la lista de Intertek Testing Services, conforme a las normas de Estados Unidos y Canadá.
	Este símbolo designa que esta herramienta cumple con las normas NOM de México.

# FAMILIARÍCESE CON SU ORILLADORA DE HILO

**Fig. 1**



## ESPECIFICACIONES

Tensión nominal	40 V c.c..
Velocidad sin carga	4800 ~ 6000/min
Mecanismo de corte	Cabezal de avance por golpeo
Tipo de hilo de corte	hilo trenzado de nylon de 0,080 pulgadas (2,0 mm)
Anchura de corte	14 pies
Temperatura de funcionamiento recomendada	32~104 °F (0~40 °C)
Temperatura de almacenamiento recomendada	32~104 °F (0~40 °C)

## ACCESORIO RECOMENDADO

NOMBRE DE LA PIEZA	TIPO	NÚMERO DE MODELO
Cabezal de la orilladora	Cabezal de la orilladora de recarga rápida SKIL	STH4818
Hilo de corte	Hilo trenzado de nylon de 0,080 pulgadas/2,0 mm	STL2000

### Mango auxiliar delantero ajustable

Para facilitar el control de la orilladora durante la operación de corte.

### Mango trasero

El mango ergonómico mejora la comodidad y el agarre.

### Interruptor gatillo de velocidad variable

Enciende y apaga la orilladora de hilo y ajusta la velocidad del cabezal de la orilladora.

### Botón de fijación en apagado

Ayuda a impedir la activación accidental o no autorizada del gatillo. Se debe presionar antes de que se pueda activar el gatillo.

### Bisagra

Conecta y fija los dos ejes plegables.

### Cabezal de la orilladora (cabezal de avance por golpeo)

Almacena el hilo de corte y libera dicho hilo al golpear suavemente el cabezal contra el terreno durante la utilización.

### Protector

Reduce el riesgo de lesiones causadas por objetos extraños que salgan volando hacia atrás, hacia el operador, y por el contacto con el aditamento de corte.

### Hoja de corte del hilo

La hoja de acero ubicada en el protector que mantiene el hilo de corte con la longitud adecuada.

### Palanca de liberación de la batería

Libera el paquete de batería de la herramienta.

### Pestillo

Fija el paquete de batería en la posición correcta al instalarlo en la herramienta.

### Eyección de la batería

Ayuda a retirar la batería.

## ENSAMBLAJE

### **⚠ ADVERTENCIA**

Para prevenir un arranque accidental que podría causar lesiones corporales graves, retire siempre el paquete de batería de la herramienta cuando ensamble piezas, haga ajustes o realice limpieza, o cuando no esté utilizando la herramienta.

### **⚠ ADVERTENCIA**

**Si alguna pieza está dañada o falta, no utilice este producto hasta que las piezas sean remplazadas.** El uso de este producto con piezas dañadas o si le faltan piezas podría causar lesiones corporales graves.

### **⚠ ADVERTENCIA**

**No intente modificar esta herramienta ni crear accesorios no recomendados para utilizarse con esta herramienta.** Cualquiera de dichas alteraciones o modificaciones constituye un uso incorrecto y podría provocar una situación peligrosa que cause posibles lesiones graves.

## Desempaquetado

- Este producto requiere ensamblaje.
- Saque cuidadosamente el producto y todos los accesorios de la caja. Asegúrese de que todos los artículos indicados en la caja estén incluidos.
- Inspeccione minuciosamente la herramienta para asegurarse de que no hayan ocurrido roturas ni daños durante el transporte.
- No deseche el material de empaquetamiento hasta que haya inspeccionado minuciosamente y utilizado satisfactoriamente la herramienta.
- Si alguna pieza está dañada o falta, sírvase devolver el producto al lugar de compra.

**Fig. 2**

## Despliegue el eje

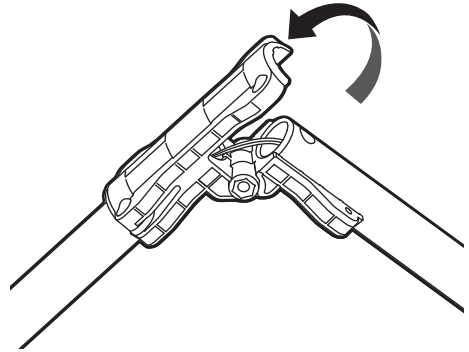
### **⚠ ADVERTENCIA**

**Para evitar pellizcarse las manos o los dedos, no agarre el eje por las juntas.**

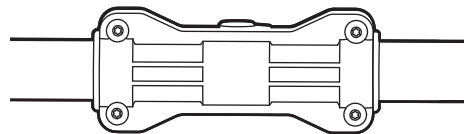
### **⚠ ADVERTENCIA**

**No intente arrancar la orilladora hasta que el eje haya sido fijado.**

1. Retire el paquete de batería de la orilladora
2. Ponga la orilladora en el piso y despliegue cuidadosamente el eje. Asegúrese de que el cable esté dentro del eje de manera que no resulte aplastado al cerrar las juntas (Fig. 2).
3. Utilice la llave de tuerca suministrada para fijar el eje con los dos pernos suministrados (Fig. 3).



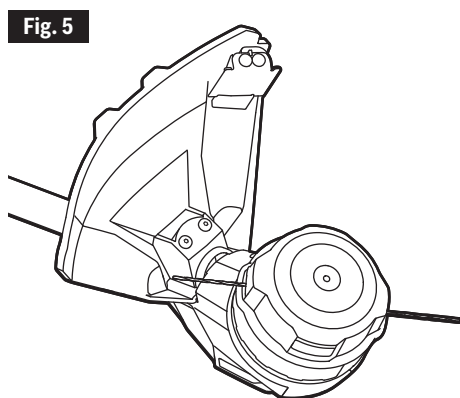
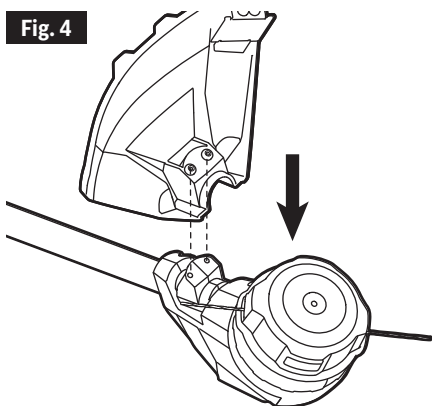
**Fig. 3**



## Monte el protector

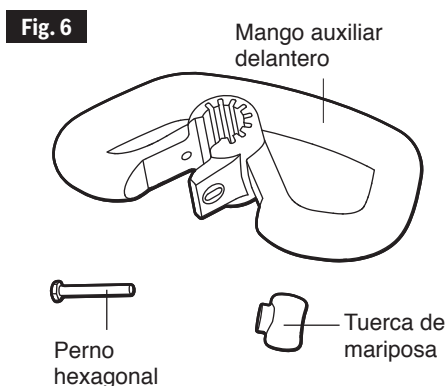
**⚠ ADVERTENCIA** Use siempre guantes cuando monte o reemplace el protector. Tenga cuidado con la hoja ubicada en el protector y use guantes para protegerse las manos con el fin de no ser lesionado por la hoja.

1. Retire el paquete de batería de la orilladora.
2. Acueste la orilladora en el terreno o el piso con su cabezal orientado hacia arriba.
3. Alinee los dos pernos (suministrados) con los dos agujeros para tornillo ubicados en el eje (Fig. 4) y luego apriételos con la llave de tuerca suministrada (Fig. 5).



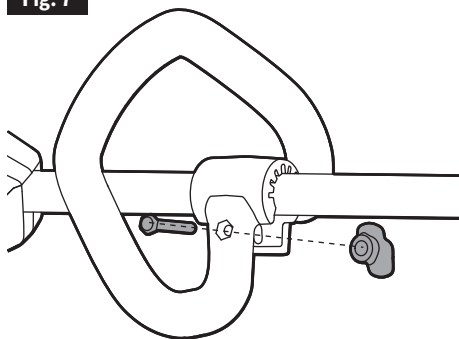
## Monte y ajuste el mango auxiliar delantero

1. Retire el paquete de batería de la orilladora.
2. Afloje la tuerca de mariposa y retirela con el perno hexagonal del mango auxiliar delantero (Fig. 6).

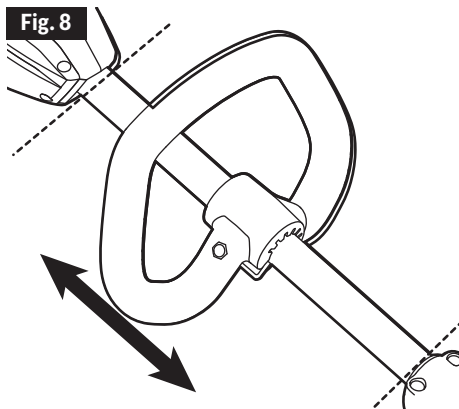


3. Consulte la Fig. 7: presione el mango auxiliar delantero sobre el eje y ensamble el perno hexagonal con la tuerca de mariposa. Gire el mango auxiliar delantero hacia arriba, de manera que apunte hacia la parte superior del mango trasero.
4. Ajuste la posición del mango auxiliar delantero de manera que esté entre la carcasa del mango trasero y la bisagra del eje, de la manera que se muestra en la Fig. 8. El mango se deberá ajustar de manera que el brazo delantero del usuario esté recto cuando utilice la orilladora.
5. Apriete la tuerca de mariposa para que el mango no pueda ser rotado sobre el eje.

**Fig. 7**



**Fig. 8**



# INSTRUCCIONES DE UTILIZACIÓN

**⚠ ADVERTENCIA** Para reducir el riesgo de incendio, lesiones corporales y daños al producto debido a un cortocircuito, no sumerja nunca la herramienta, el paquete de batería o el cargador en un líquido ni deje que un líquido fluya dentro de ellos. Los líquidos corrosivos o conductores, tales como agua del mar, ciertas sustancias químicas industriales y el blanqueador o los productos que contienen blanqueador, etc., pueden causar un cortocircuito.

**⚠ ADVERTENCIA** No utilice aditamentos ni accesorios no recomendados por el fabricante de este producto. El uso de aditamentos o accesorios no recomendados puede causar lesiones corporales graves.

**⚠ ADVERTENCIA** No intente modificar esta herramienta o el paquete de batería, ni crear accesorios no recomendados para utilizarse con esta herramienta. Cualquiera de dichas alteraciones o modificaciones constituye un uso incorrecto y podría provocar una situación peligrosa que cause posibles lesiones graves.

**⚠ ADVERTENCIA** Para prevenir un arranque accidental que podría causar lesiones corporales graves, retire siempre el paquete de batería de la herramienta cuando ensamble piezas, haga ajustes o realice limpieza, o cuando no se esté utilizando.

**⚠ ADVERTENCIA** No deje que la familiaridad con este producto le haga descuidarse. Recuerde que una fracción de segundo de descuido es suficiente para causar lesiones graves.

**⚠ ADVERTENCIA** Use siempre protección de los ojos con escudos laterales marcados para cumplir con la norma ANSI Z87.1. Si no se hace así, el resultado podría ser que se lancen objetos hacia los ojos del operador y otras posibles lesiones graves.

## Aplicación

Usted puede usar este producto para los propósitos que se indican a continuación:

**Orillado:** utilice el producto para retirar pasto y maleza a lo largo de paredes, cercas, árboles y orillas.

**Corte:** utilice el producto para cortar pasto que sea difícil de alcanzar utilizando una cortadora de césped normal.

---

## Para instalar/desinstalar el paquete de batería

Las herramientas a batería están siempre en condiciones de funcionamiento. Por lo tanto, retire la batería cuando ensamble piezas, haga ajustes, realice limpieza, cuando la herramienta no se esté utilizando o cuando la transporte a su lado. Al retirar el paquete de batería se evitará un arranque accidental que podría causar lesiones corporales graves.



### Para instalar el paquete de batería (Fig. 9):

1. Alinee las costillas del paquete de batería con las ranuras de montaje ubicadas en el puerto de la batería de la orilladora de hilo.
2. Presione el paquete de batería hasta que se acople a presión en la posición correcta.

**AVISO:** Asegúrese de que el pestillo ubicado en la orilladora de hilo se acople a presión en la posición correcta y que el paquete de batería esté fijo en la herramienta antes de comenzar a utilizarla.

### Para desinstalar el paquete de batería (Fig. 10):

**⚠ ADVERTENCIA** Conozca siempre la ubicación de sus pies, los niños o los animales domésticos cuando presione la palanca de liberación de la batería. Podrían ocurrir lesiones graves si el paquete de batería se cae. No retire NUNCA el paquete de batería en un lugar en alto.

1. Sostenga el paquete de batería en la palma de la mano.
2. Presione la palanca de liberación de la batería con el dedo pulgar; el paquete de batería se desacoplará del pestillo.
3. Agarre el paquete de batería y retírelo de la orilladora de hilo.

Fig. 9

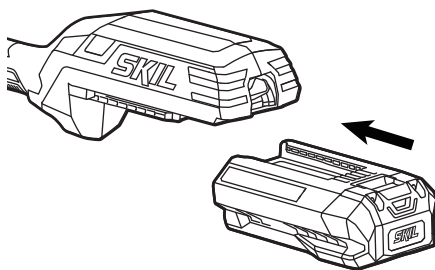
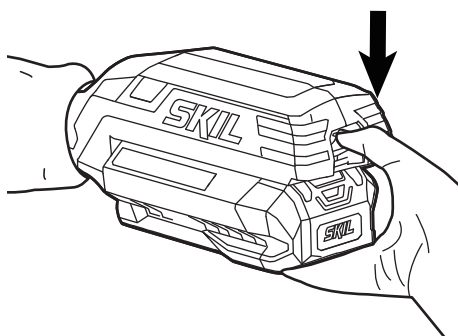


Fig. 10

Presione para liberar



### Para agarrar la orilladora de hilo

**⚠ ADVERTENCIA** Vístase adecuadamente para reducir el riesgo de lesiones cuando esté utilizando esta herramienta. No use ropa holgada ni joyas. Use protección de los ojos y los oídos/audición. Use pantalones largos gruesos, botas y guantes. No use pantalones cortos ni sandalias, ni vaya descalzo. Antes de utilizar la unidad, póngase de pie en la posición de utilización y verifique que:

- El operador esté usando protección de los ojos y ropa adecuadas.
- Un brazo esté ligeramente doblado y la mano de ese brazo esté agarrando el mango trasero.

Fig. 11



- El otro brazo esté recto y que la mano de ese brazo esté agarrando el mango auxiliar delantero.
- El cabezal de la orilladora esté paralelo al piso y entre en contacto fácilmente con el material que se va a cortar sin que el operador tenga que inclinarse hacia delante (Fig. 11).

## Para arrancar/parar la orilladora de hilo

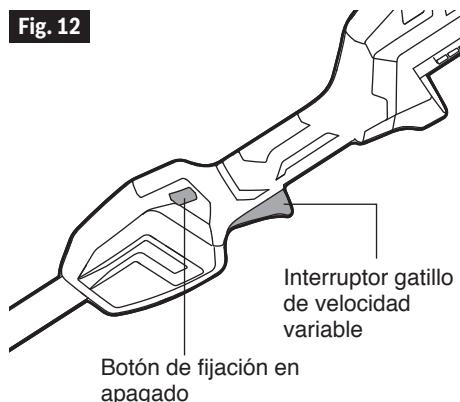
Antes de arrancar la orilladora de hilo:

- Asegúrese de que tiene un apoyo de los pies seguro y equilibrado.
- Póngase derecho y agarre la orilladora de hilo en una posición relajada.
- Asegúrese de que el hilo de corte no esté tocando el terreno ni ningún otro objeto.
- Agarre la orilladora de hilo con las dos manos: una mano en el mango trasero y la otra mano en el mango delantero.

### Para arrancar la orilladora de hilo (Fig. 12)

1. Presione el botón de fijación en apagado y manténgalo en esa posición. Presione el interruptor gatillo para encender la orilladora de hilo. Suelte el botón de fijación en apagado y continúe apretando el interruptor gatillo para realizar una utilización continua.
2. La velocidad rotacional del cabezal de la orilladora se controla con el interruptor gatillo de velocidad variable. Más presión en el gatillo produce una velocidad más alta; menos presión en el gatillo produce una velocidad más baja. Ajuste la velocidad para adaptarse a la tarea que se esté realizando.

**Fig. 12**



**AVISO:** El motor funciona solamente cuando se presionan tanto el botón de fijación en apagado como el interruptor gatillo.

### Para parar la orilladora de hilo

Suelte el interruptor gatillo para parar la orilladora de hilo.

### **⚠ ADVERTENCIA**

Retire siempre el paquete de batería de la orilladora de hilo durante las pausas de descanso del trabajo y después de acabar el trabajo.

Retire siempre el paquete de batería de la orilladora de hilo durante las pausas de descanso del trabajo y después de acabar el trabajo.

## Para utilizar la orilladora de hilo

### **⚠ ADVERTENCIA**

Para evitar lesiones corporales graves, use anteojos o gafas de seguridad en todo momento cuando utilice esta unidad. Use una careta o una máscara antipolvo en lugares donde haya polvo.

Para evitar lesiones corporales graves, use anteojos o gafas de seguridad en todo momento cuando utilice esta unidad. Use una careta o una máscara antipolvo en lugares donde haya polvo.

### **⚠ ADVERTENCIA**

Para evitar lesiones corporales graves, retire el paquete de batería de la herramienta antes de hacer servicio de ajustes y reparaciones, realizar limpieza, cambiar aditamentos o retirar material de la unidad.

Para evitar lesiones corporales graves, retire el paquete de batería de la herramienta antes de hacer servicio de ajustes y reparaciones, realizar limpieza, cambiar aditamentos o retirar material de la unidad.

Despeje el área que se vaya a cortar antes de cada uso. Retire todos los objetos, tales como rocas, vidrio roto, clavos, alambres o hilos que puedan ser lanzados al aire o engancharse en el aditamento de corte.

Despeje el área de niños, personas que estén presentes y animales domésticos. Mantenga a todos los niños, personas que estén presentes y animales domésticos a una distancia de al menos 100 pies (30,5 m). Es posible que aún haya riesgo para las personas que estén presentes por causa de objetos lanzados al aire; se deberá instar a las personas que estén presentes a que usen protección de los ojos. Si alguien se acerca a usted, pare inmediatamente el motor.

### Compruebe si hay piezas dañadas/desgastadas antes de cada uso

Compruebe el cabezal de la orilladora, el protector y el mango auxiliar delantero, y reemplace todas las piezas que estén agrietadas, arqueadas, dobladas o dañadas de alguna manera.

La hoja de corte del hilo ubicada en el borde del protector se puede desafilar con el tiempo. Se recomienda afilarla periódicamente con una lima o reemplazarla por una hoja nueva.

**⚠ ADVERTENCIA** Use siempre guantes cuando monte o reemplace el protector o cuando afile o reemplace la hoja. Fíjese en la ubicación de la hoja en el protector y protéjase la mano contra las lesiones.

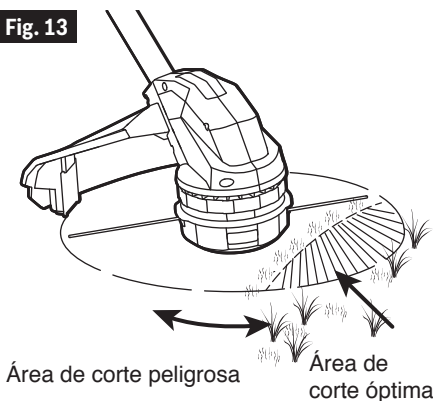
### Limpie la orilladora después de cada uso

Consulte la sección Mantenimiento para obtener instrucciones de limpieza.

**⚠ ADVERTENCIA** No use nunca agua para limpiar la orilladora. Evite usar solventes cuando limpie piezas de plástico. La mayoría de los plásticos son susceptibles de sufrir daños causados por diversos tipos de solventes comerciales. Use trapos limpios para retirar la suciedad, el polvo, el aceite, la grasa, etc.

## Consejos para obtener los mejores resultados de orillado (Fig. 13)

Fig. 13



- El ángulo correcto para el aditamento de corte es paralelo al piso.
- No fuerce la orilladora. Deje que el extremo de la punta del hilo haga el corte (especialmente a lo largo de paredes). Si se corta con más parte del hilo que su punta, se reducirá la eficacia de corte y es posible que se sobrecargue el motor.
- La altura de corte se determina por la distancia del hilo de corte a la superficie del césped.
- El pasto se debe cortar trabajando progresivamente desde la parte de arriba hacia la parte de abajo en pequeños incrementos para evitar un desgaste prematuro del hilo o arrastre del motor.
- Mueva lentamente la orilladora hacia dentro y hacia fuera del área que se esté cortando, manteniendo la posición del cabezal de corte a la altura de corte deseada. Este movimiento puede ser hacia delante y hacia atrás o de un lado a otro. El corte de longitudes más pequeñas produce los mejores resultados.
- Orille solo cuando el pasto y la maleza estén secos.
- Las cercas de alambre y de estacas puntiagudas pueden causar desgaste adicional o rotura del hilo. Es posible que las paredes de piedra y ladrillo, las orillas de acera y la madera desgasten rápidamente los hilos.
- Evite los árboles y los arbustos. El corcho de árbol, las molduras de madera, los paneles laterales y los postes de cerca pueden ser dañados fácilmente por los hilos.

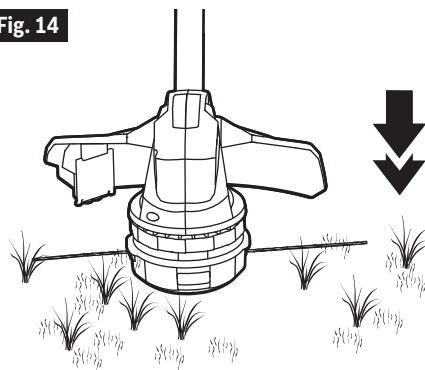
## Para ajustar la longitud del hilo de corte

El cabezal de la orilladora permite al operador liberar más hilo de corte sin parar el motor. A medida que el hilo se deshilacha o se desgasta, se puede liberar hilo adicional golpeando ligeramente el cabezal de la orilladora contra el terreno mientras se está utilizando la orilladora (Fig. 14).

**⚠ ADVERTENCIA** No retire ni altere el ensamblaje de la hoja de corte del hilo. Una longitud excesiva del hilo hará que el motor se sobrecaliente y es posible que cause lesiones corporales graves.

Para obtener los mejores resultados, golpee ligeramente el cabezal de la orilladora contra terreno pelado o tierra dura. Si se intenta liberar el hilo en pasto alto, es posible que el motor se sobrecaliente. Mantenga siempre el hilo orillador completamente extendido. La liberación del hilo se vuelve más difícil a medida que el hilo de corte se vuelve más corto.

Fig. 14



## Reemplazo del hilo

**AVISO:** Utilice siempre el hilo de corte de nylon recomendado con un diámetro que no exceda 0,080 pulgadas (2,0 mm). Es posible que el uso de un hilo que no sea el especificado haga que la orilladora de hilo se sobrecaliente o sufra daños.

**⚠ ADVERTENCIA** No utilice nunca hilo reforzado con metal, ni alambre, cuerda, etc. Todos ellos se pueden romper y convertirse en proyectiles peligrosos.

**⚠ ADVERTENCIA** Para prevenir lesiones corporales graves, retire el paquete de batería de la herramienta antes de hacer servicio de ajustes y reparaciones, realizar limpieza, cambiar aditamentos o retirar material de la unidad.

1. Retire el paquete de batería de la orilladora.
2. Corte un pedazo de hilo de corte de 16 pies (5 m) de longitud. Inserte el hilo en el ojal. Empuje el hilo hasta que el extremo del mismo salga por el otro lado del cabezal de la orilladora. Jale el hilo desde el otro lado hasta que aparezcan cantidades iguales de hilo a ambos lados (Fig. 15).

Fig. 15

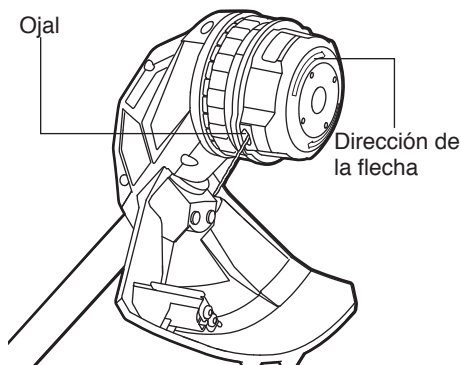
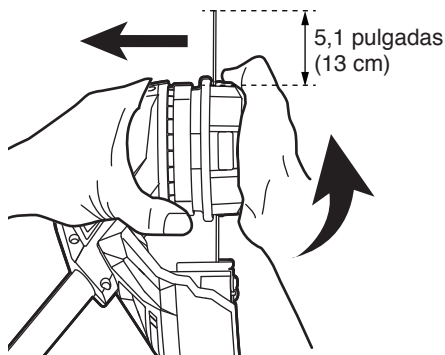


Fig. 16



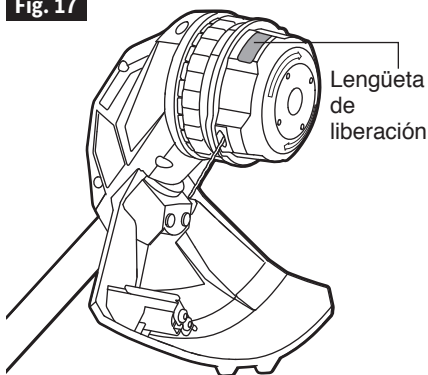
3. Presione, mientras rota el retenedor de la bobina en la dirección indicada por la flecha, para enrollar el hilo de corte en la bobina que está en el interior del cabezal de la orilladora, hasta que se vean aproximadamente 5,1 pulgadas (13 cm) de hilo a cada lado (Fig. 16).
4. Empuje hacia abajo el cabezal de la orilladora mientras jala los hilos para avanzar manualmente el hilo y para comprobar la instalación correcta del hilo de corte.

## Recargue el hilo de corte

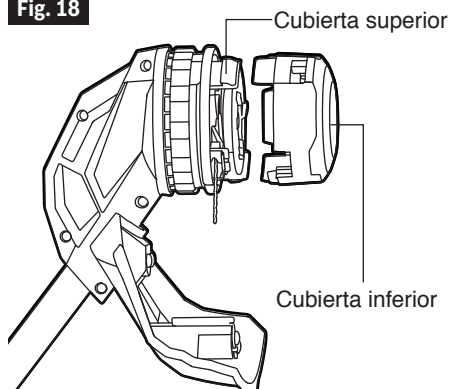
**AVISO:** Cuando el hilo de corte se rompa y se separe de la salida del hilo o el hilo de corte no se libere al golpear suavemente el cabezal de la orilladora, será necesario retirar el hilo de corte restante del retenedor de la bobina y seguir los pasos que se indican a continuación para recargar el hilo.

1. Retire el paquete de batería de la orilladora.
2. Presione las lengüetas de liberación ubicadas en la cubierta superior y retire la cubierta inferior del cabezal de la orilladora jalándolo directamente hacia fuera (Fig. 17 y 18).
3. Retire el hilo de corte del retenedor de la bobina.

**Fig. 17**

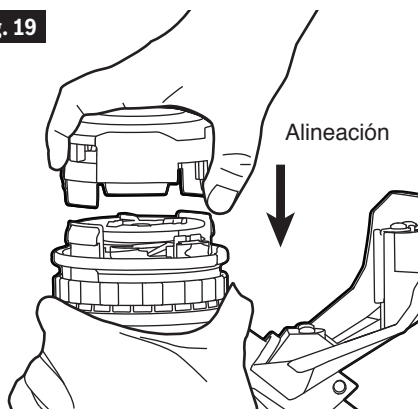


**Fig. 18**

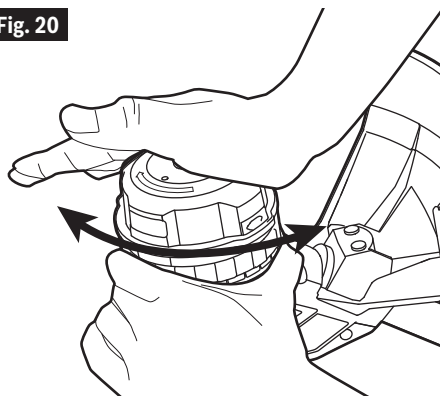


4. Con una mano agarrando la cubierta superior, use la otra mano para agarrar la cubierta inferior del cabezal de la orilladora y alinear las lengüetas ubicadas en la cubierta superior con los agujeros ubicados en la cubierta inferior; use la palma de la mano para presionar la cubierta inferior hasta que se acople a presión en la posición correcta (Fig. 19 y 20).
5. Siga las instrucciones de **"Reemplazo del hilo"** para recargar el hilo de corte.

**Fig. 19**



**Fig. 20**



## MANTENIMIENTO

**⚠ ADVERTENCIA** Cuando haga servicio de ajustes y reparaciones, utilice únicamente piezas de repuesto idénticas. El uso de cualquier otra pieza podría crear un peligro o causar daños al producto.

Inspeccione periódicamente todo el producto para determinar si hay piezas dañadas, si faltan piezas o si hay piezas flojas, tales como tornillos, tuercas, pernos, tapas, etc. Apriete firmemente todos los sujetadores y todas las tapas y no utilice este producto hasta que todas las piezas que falten o estén dañadas se hayan reemplazado. Sírvase contactar a servicio al cliente o un centro de servicio autorizado para obtener asistencia.

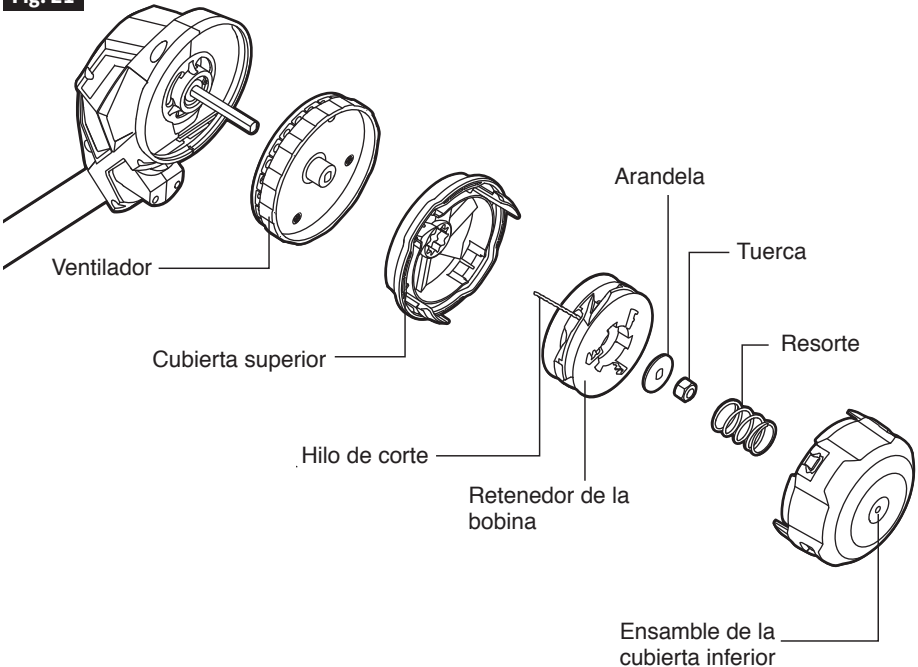
**⚠ ADVERTENCIA** Las herramientas a batería no tienen que enchufarse en un tomacorriente; por lo tanto, siempre están en condiciones de funcionamiento. Para prevenir lesiones corporales graves, tome precauciones adicionales y tenga cuidado adicional cuando realice mantenimiento o servicio de ajustes y reparaciones, o para cambiar el aditamento de corte u otros aditamentos.

**⚠ ADVERTENCIA** Para evitar lesiones corporales graves, retire siempre el paquete de batería de la herramienta cuando haga limpieza o realice cualquier mantenimiento.

### Reemplazo del cabezal de la orilladora

**⚠ PELIGRO** Si el cabezal se afloja después de haberlo fijado en la posición correcta, reemplácelo inmediatamente. No utilice nunca una orilladora con un aditamento de corte flojo. Reemplace inmediatamente un cabezal de corte agrietado, dañado o desgastado, incluso si el daño está limitado a grietas superficiales. Es posible que los aditamentos de este tipo se rompan en pedazos a alta velocidad y causen lesiones graves.

Fig. 21



## Retire el cabezal de la orilladora

1. Retire el paquete de batería de la orilladora.
2. Presione las lengüetas de liberación ubicadas en el cabezal de la orilladora y retire la cubierta inferior del cabezal de la orilladora jalándola directamente hacia fuera.
3. Retire el hilo de corte del cabezal de la orilladora (Fig. 22).
4. Saque el resorte de la cubierta inferior, si es necesario. Guárdela para realizar el reensamblaje.
5. Use guantes. Use una mano para agarrar el ensamblaje de la bobina con el fin de estabilizarlo y use la otra mano para agarrar una llave de impacto con el fin de aflojar la tuerca en sentido contrario al de las agujas del reloj (Fig. 23).
6. Retire la tuerca, el ensamblaje de la bobina, la cubierta superior y el ventilador del eje del motor.
7. Reemplácelo por un cabezal de orilladora nuevo y móntelo de la siguiente manera.

Fig. 22

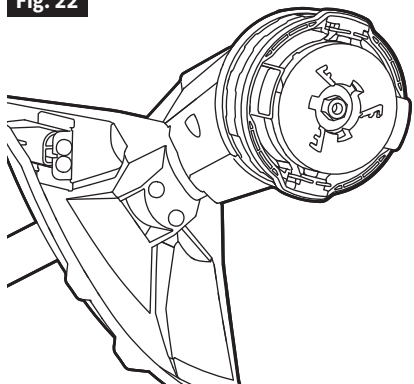
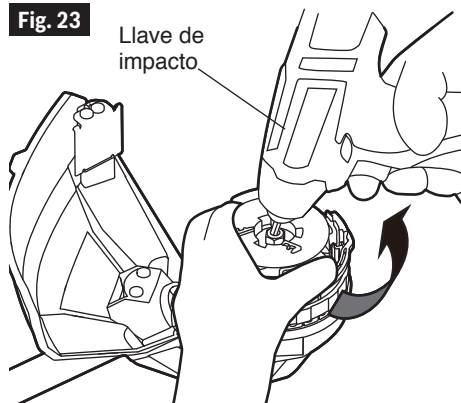


Fig. 23



## Instale el cabezal de la orilladora nuevo

1. Alinee la ranura de bocallave del ensamblaje del ventilador con el vástago acanalado del eje del motor y monte el ensamblaje del ventilador en la posición correcta.
2. Monte la cubierta superior, el ensamblaje de la bobina y la arandela en ese orden. Utilice una llave de impacto en la tuerca para apretarla.
3. Siga los pasos 4 y 5 de la sección “**Recargue el hilo de corte**” de este manual para montar el ensamble de la cubierta inferior.
4. Siga las instrucciones de la sección “**Reemplazo del hilo**” de este manual para recargar el hilo de corte.
5. Arranque la herramienta para comprobar si la orilladora de hilo funcionará normalmente. Si no lo hace, reensámblela tal y como se describe anteriormente.

## Limpie la orilladora

- Retire todo el pasto que se pueda haber enrollado alrededor del eje del motor o el cabezal de la orilladora.
- Use un cepillo pequeño o una aspiradora pequeña para limpiar las aberturas de ventilación.
- Mantenga las aberturas de ventilación libres de obstrucciones.
- Limpie la unidad utilizando un paño húmedo con un detergente suave.

- No utilice detergentes fuertes en la carcasa de plástico ni en el mango. Tanto la carcasa como el mango pueden resultar dañados por ciertos aceites aromáticos, tales como los de pino y limón, y por solventes tales como el queroseno. La humedad también puede causar un peligro de descargas eléctricas. Si hay humedad, elimínela con un paño suave y seco.

## Afile la hoja de corte del hilo

**⚠ ADVERTENCIA** Protéjase siempre las manos usando guantes gruesos cuando realice cualquier mantenimiento en la hoja de corte del hilo.

1. Retire el paquete de batería de la herramienta. Retire la hoja de corte del hilo del protector.
2. Use protección de los ojos y guantes adecuados, y tenga cuidado de no cortarse.
3. Sujete firmemente la hoja en una prensa de tornillo.
4. Lime cuidadosamente los bordes de corte de la hoja con una lima de dientes finos o una piedra de afilar, manteniendo el ángulo original del borde de corte.
5. Reinstale la hoja en el protector y fijela en la posición correcta con los dos tornillos.

## Almacenamiento de la orilladora

- Retire el paquete de batería de la orilladora.
- Limpie minuciosamente la herramienta antes de almacenarla.
- Almacene la unidad en un área seca y bien ventilada, cerrada con llave o en alto, fuera del alcance de los niños. No almacene la unidad sobre ni adyacente a fertilizantes, gasolina u otras sustancias químicas.

## Servicio de ajustes y reparaciones

Recomendamos que todo el servicio de ajustes y reparaciones de la herramienta sea realizado por un Centro de Servicio de Fábrica SKIL o una Estación de Servicio SKIL Autorizada.



## RESOLUCIÓN DE PROBLEMAS

Problema	Causa	Remedio
La orilladora de hilo no arranca.	<ol style="list-style-type: none"> <li>1. El paquete de batería no está instalado en la orilladora</li> <li>2. No hay contacto eléctrico entre la orilladora y el paquete de batería.</li> <li>3. El paquete de batería está agotado.</li> <li>4. El botón de fijación en apagado y el interruptor gatillo no están presionados simultáneamente.</li> </ol>	<ol style="list-style-type: none"> <li>1. Instale el paquete de batería en la orilladora.</li> <li>2. Retire la batería, compruebe los contactos y reinstale el paquete de batería.</li> <li>3. Cargue el paquete de batería.</li> <li>4. Presione hacia abajo sobre el botón de fijación en apagado y manténgalo presionado, y luego presione el interruptor gatillo para encender la orilladora de hilo.</li> </ol>
La orilladora de hilo se para mientras está cortando.	<ol style="list-style-type: none"> <li>1. El protector no está montado en la orilladora, lo cual tiene como resultado un hilo de corte excesivamente largo y sobrecarga del motor.</li> <li>2. Se utiliza un hilo de corte incorrecto.</li> <li>3. El eje del motor o el cabezal de la orilladora están atorados con pasto.</li> <li>4. El motor está sobrecargado.</li> <li>5. El paquete de batería o la orilladora de hilo están demasiado calientes.</li> <li>6. El paquete de batería está desconectado de la herramienta.</li> <li>7. El paquete de batería está agotado.</li> </ol>	<ol style="list-style-type: none"> <li>1. Retire el paquete de batería y monte el protector en la orilladora.</li> <li>2. Utilice hilo de nylon recomendado con un diámetro no mayor de 0,080 pulgadas (2,0 mm).</li> <li>3. Pare la orilladora, retire la batería y quite el pasto del eje del motor y del cabezal de la orilladora.</li> <li>4. Retire el cabezal de la orilladora del pasto. El motor se volverá a funcionar cuando se haya retirado la carga. Cuando corte, mueva el cabezal de la orilladora hacia dentro y hacia fuera del pasto que se vaya a cortar y no retire pasto demasiado largo en un solo corte.</li> <li>5. Deje que el paquete de batería o la orilladora se enfríen.</li> <li>6. Reinstale el paquete de batería.</li> <li>7. Cargue el paquete de batería.</li> </ol>

Problema	Causa	Remedio
El cabezal de la orilladora no hace avanzar el hilo.	<ol style="list-style-type: none"> <li>1. El eje del motor o el cabezal de la orilladora están atorados con pasto.</li> <li>2. No hay suficiente hilo en el cabezal de la orilladora o el hilo se rompe y se separa del ojal.</li> <li>3. El hilo está enredado en el cabezal de la orilladora.</li> <li>4. El hilo es demasiado corto.</li> </ol>	<ol style="list-style-type: none"> <li>1. Pare la orilladora, retire la batería y limpie el eje del motor y el cabezal de la orilladora.</li> <li>2. Retire la batería y reemplace el hilo de corte siguiendo la sección <b>“Reemplazo del hilo”</b> de este manual.</li> <li>3. Retire la batería; retire el hilo del cabezal de la orilladora y rebóbinelo siguiendo la sección <b>“Reemplazo del hilo”</b> de este manual.</li> <li>4. Retire la batería y jale manualmente los hilos mientras presiona hacia abajo y suelta alternadamente el cabezal de la orilladora.</li> </ol>
El pasto se enrolla alrededor del cabezal de la orilladora y la carcasa del motor.	<ol style="list-style-type: none"> <li>1. Se está cortando pasto alto a nivel del terreno.</li> </ol>	<ol style="list-style-type: none"> <li>1. Corte el pasto alto de arriba bajo, no retire pasto demasiado largo en cada pasada para evitar que se enrolle.</li> </ol>
La hoja no está cortando el hilo.	<ol style="list-style-type: none"> <li>1. La hoja de corte del hilo ubicada en el borde del protector se ha desafilado.</li> </ol>	<ol style="list-style-type: none"> <li>1. Afíle la hoja de corte del hilo con una lima o reemplácela por una hoja nueva</li> </ol>
Hay grietas en el cabezal de la orilladora o el ensamblaje de la bobina se afloja.	<ol style="list-style-type: none"> <li>1. El cabezal de la orilladora está desgastado.</li> <li>2. La tuerca que fija el cabezal de la orilladora está floja.</li> </ol>	<ol style="list-style-type: none"> <li>1. Reemplace inmediatamente el cabezal de la orilladora siguiendo la sección <b>“Reemplazo del cabezal de la orilladora”</b> de este manual.</li> <li>2. Abra el cabezal de la orilladora y utilice una llave de impacto (de 14 mm) para apretar la tuerca.</li> </ol>

# **GARANTÍA LIMITADA PARA HERRAMIENTAS MECÁNICAS PORTÁTILES DE CONSUMO DE SERVICIO PESADO HD, SHD Y MAG DE SKIL**

Chervon North America (“el Vendedor”) garantiza, únicamente al comprador original, que todas las herramientas mecánicas portátiles de consumo de servicio pesado HD, SHD y MAG de SKIL estarán libres de defectos de material o de fabricación durante un período de un año a partir de la fecha de compra. Los modelos de herramientas mecánicas portátiles de consumo de SKIL estarán libres de defectos de material o de fabricación durante un período de noventa días si la herramienta se emplea para uso profesional.

LA ÚNICA OBLIGACIÓN DEL VENDEDOR Y EL RECURSO EXCLUSIVO QUE USTED TIENE bajo esta Garantía Limitada y, hasta donde la ley lo permita, bajo cualquier garantía o condición implícita por ley, consistirá en la reparación o sustitución sin costo de las piezas que presenten defectos de material o de fabricación y que no hayan sido utilizadas incorrectamente, manejadas descuidadamente o reparadas incorrectamente por personas que no sean el Vendedor o una Estación de servicio autorizada. Para efectuar una reclamación bajo esta Garantía Limitada, usted debe devolver el producto completo, con el transporte prepagado, a cualquier Centro de servicio de fábrica SKIL o Estación de servicio SKIL autorizada. Para localizar Estaciones de servicio autorizadas de herramientas mecánicas SKIL, sírvase visitar [www.Registermyskil.com](http://www.Registermyskil.com) o llame al 1-877-SKIL-999 (1-877-754-5999).

ESTA GARANTÍA LIMITADA NO SE APLICA A ARTÍCULOS ACCESORIOS TALES COMO HOJAS PARA SIERRAS CIRCULARES, BROCAS PARA TALADROS, BROCAS PARA FRESADORAS, HOJAS PARA SIERRAS DE VAIVÉN, CORREAS PARA LIJAR, RUEDAS DE AMOLAR Y OTROS ARTÍCULOS RELACIONADOS.

TODAS LAS GARANTÍAS IMPLÍCITAS TENDRÁN UNA DURACIÓN LIMITADA A UN AÑO A PARTIR DE LA FECHA DE COMPRA. ALGUNOS ESTADOS DE LOS EE.UU. Y ALGUNAS PROVINCIAS CANADIENSES NO PERMITEN LIMITACIONES EN CUANTO A LA DURACIÓN DE UNA GARANTÍA IMPLÍCITA, POR LO QUE ES POSIBLE QUE LA LIMITACIÓN ANTERIOR NO SEA APLICABLE EN EL CASO DE USTED.

EL VENDEDOR NO SERÁ RESPONSABLE EN NINGÚN CASO DE NINGÚN DAÑO INCIDENTAL O EMERGENTE (INCLUYENDO PERO NO LIMITADO A RESPONSABILIDAD POR PÉRDIDA DE BENEFICIOS) QUE SE PRODUZCA COMO CONSECUENCIA DE LA VENTA O UTILIZACIÓN DE ESTE PRODUCTO. ALGUNOS ESTADOS DE LOS EE.UU. Y ALGUNAS PROVINCIAS CANADIENSES NO PERMITEN LA EXCLUSIÓN O LIMITACIÓN DE LOS DAÑOS INCIDENTALES O EMERGENTES, POR LO QUE ES POSIBLE QUE LA LIMITACIÓN O EXCLUSIÓN ANTERIOR NO SEA APLICABLE EN EL CASO DE USTED.

ESTA GARANTÍA LIMITADA LE CONFIERE A USTED DERECHOS LEGALES ESPECÍFICOS Y ES POSIBLE QUE USTED TAMBIÉN TENGA OTROS DERECHOS QUE VARIAN DE ESTADO A ESTADO EN LOS EE.UU., DE PROVINCIA A PROVINCIA EN CANADÁ Y DE PAÍS EN PAÍS.

ESTA GARANTÍA LIMITADA SE APLICA SÓLO A LOS PRODUCTOS VENDIDOS EN LOS ESTADOS UNIDOS DE AMÉRICA, CANADÁ Y EL ESTADO LIBRE ASOCIADO DE PUERTO RICO. PARA COBERTURA DE GARANTÍA EN OTROS PAÍSES, PÓNGASE EN CONTACTO CON SU DISTRIBUIDOR O IMPORTADOR LOCAL DE SKIL.

