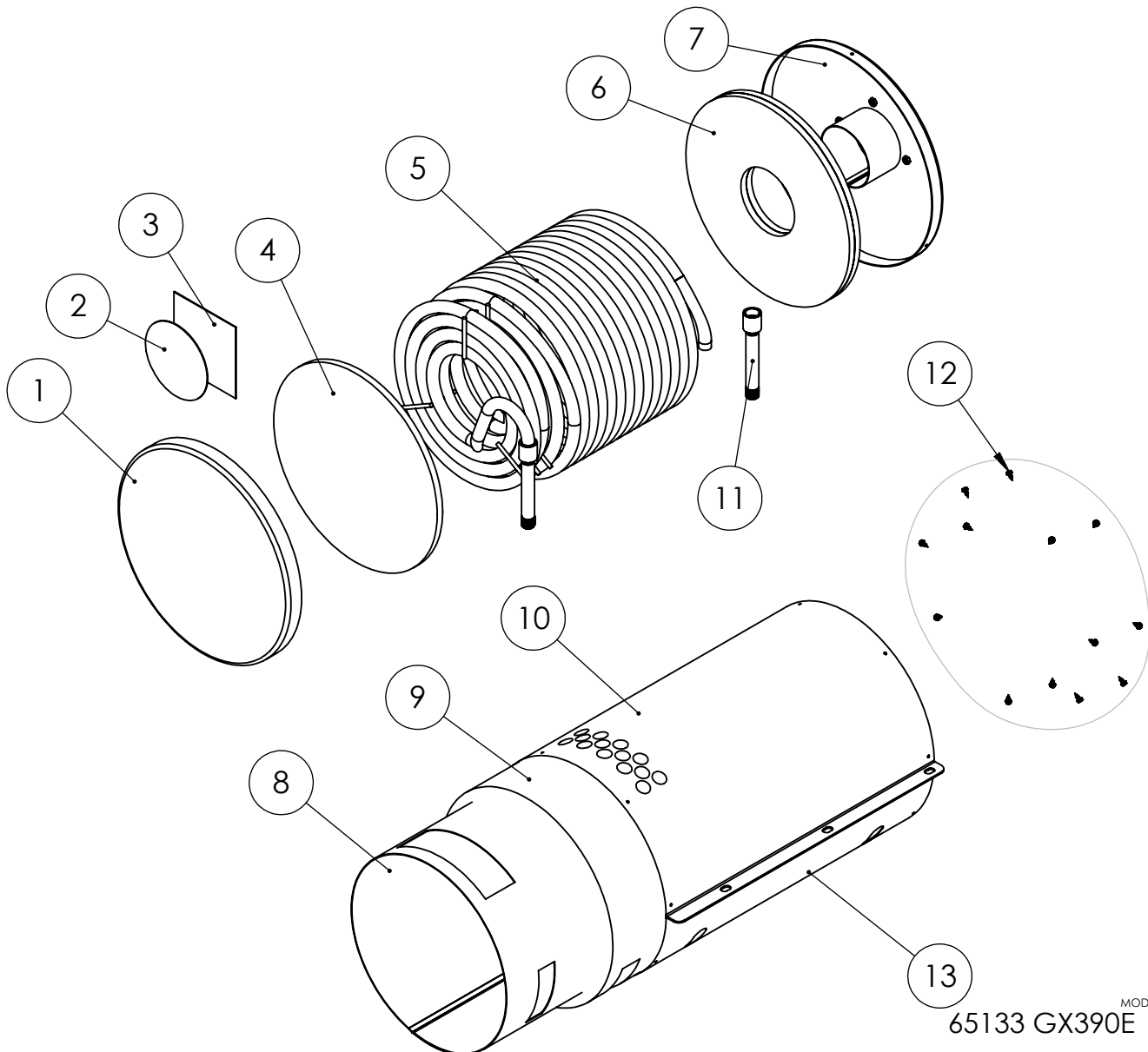


ITEM NO.	PART NUMBER	DESCRIPTION	QTY.
1	7109033	ASSY, COIL TANK, SLV BLK STREAMLINER 16"	1
2	7109413	BURNER HARDWARE KIT	1
3	7101975	WAYNE BURNER, 12VDC MSR 3-3/4 230-109BDC	1
4	100285	ENGINE	1
5	7103279	KIT, PUMP MOUNTING SVC HARDWARE	1
6	7101331	VALVE, THERMAL, 1/2" NPT	1
7	7200118	RELIEF VALVE, 5000PSI	1
8	7101065	PUMP, DIRECT DRIVE EZ4040G	1
9	7100287	ELBOW, 3/8" NPTM x 3/8" NPTF	1
10	7110707	UNLOADER, P1, 4500 PSI	1
11	7111619	CHEMICAL INJECTOR, FIXED	1
12	7200062	ELBOW, 3/8" NPTF x 3/8" NPTF 90°	1
13	7100427	HOSEBARB 5/8HB X 3/8MPT BRASS	1
14	7100051	INLET FITTING, 1/2" NPTM X 3/4"	1
15	7102176	WATER FILTER GREEN CAP	1
16	7101266	TEE, 1/2" STREET	1
17	7109806	ELBOW, 90 DEG 5/8" HB X 1/2 NPT-M BRASS	1
18	7112904	RECTIFIER KIT	1
19	7117929	HOSE HANGER, WIREFORM HARDWARE KIT	1
20	7117724	NOZZLE HOLDER KIT	1
21	7115563BK1	WELDMENT, FRAME, KING BRUTE 2.0, BLACK	1
22	7116320BK1	HANDLE, KB2.0, FLAT BLACK	1
23	7113522	1/2" STREET ELBOW, PLATED	1
24	7101261	TEE, HYDRAULIC 1/2" NPTF	1
25	7101230	SWITCH HIGH LIMIT 230^ W/42" LEAD	1
26	7101082	COUPLER, Q.C. 3/8" X 3/8" NPTM	1
27	7100433	CRIMP HOSE 3/8 X 2FT RIGID/SWIVEL	1
28	7116322	WEDLMENT, WATER OUTLET	1
29	7117930	GUN HANGER, WIREFORM HARDWARE KIT	2
30	7110543	PRESSURE WASHER WHEEL	2
31	7104152	COLLAR, 3/4" LOCKING	2

ITEM NO.	PART NUMBER	DESCRIPTION	QTY.
32	7117259	CLAMP ASSEMBLY, WHEEL LOCK, W/HARDWARE	2
33	7115775	CASTER, PNEUMATIC, 10" DIA, W/ BRACKET	2
34	7109108	CASTER HARDWARE KIT	1
35	7108740	CIRCUIT BREAKER, 12VDC	1
36	7107456	HOUR METER, 277V AC/DC DIGITAL	1
37	7105841	E-CONTROL BOX HARDWARE KIT	1
38	7113766	HOSE, 3/8 ID HIGH-PR, JUMPER, 12"	1
39	7116087	ELBOW 90, 3/8 M-NPT X 1/2" F-NPT, 5000PSI	1
40	7101238	SWITCH, FLOW F/WATER HEATER	1
41	7116565	ELBOW, 3/8" M-NPT X 1/2" F-NPT, 5000PSI	1
42	7100703	DIESEL FUEL LINE SKID KIT	1
43	7100353	REDUCER 1/2" NPTM X 3/8" NPTM	1
44	7115836BK1	WELDMENT, TANK, DIESEL, 5GAL, BLACK	1
45	7108735	ROCKER SWITCH, ON-OFF, DPST, 12VDC-20A	1
46	7116676	SWITCH, KEY, IGNITION W/ ACC	1
47	7116330	E-CONTROL BOX, 12VDC	1

ITEM NO.	PART NUMBER	DESCRIPTION	QTY.
1	7108975	HEAD 16" DIA FLAT W/FLANGE	1
2	7117393	EXHAUST DISC, 16" HEATING COIL	1
3	7117394	REFLECTION PLATE, 16" HEATING COIL	1
4	7105029	INSULATION HARD DISC 1/2" x Ø16"	1
5	7117391	COIL, 1/2" SCH 80 PIPE, 16" DIA	1
6	7106210	BURNER DISC, 16" DIA W/ 7 1/2" HOLE	2
7	7105361	TANK HEAD, Ø16" MINI-SKID	1
8	7117392	SHELL, COIL INNER, 16" DIA	1
9	7101543	INSULATION, DURABLANKET #6 1"X24"X 25;'	1
10	7109032	SHELL, 16" OD MS HEATER TOP WITH EXASUT HOLES	1
11	7100619	NIPPLE, 1/2" NPTM X 6" SCH. 80	2
12	7109685	SCREW KIT, COIL COVER HARDWARE KIT	1
13	7108973	SHELL, 16" OD MS HEATER BOTTOM	1



MODEL: 65133 GX390E GX390E REV.

Version:

ITEM NO.	PART NUMBER	DESCRIPTION	QTY.
1	7102207	KIT, SVC ASSY SOAP HOSE W/PLASTIC FILTER	1
2	7115512	NOZZLE, SET 4PC 4.0 1/4 QC-M + SOAP	1
3	7107495	3/8"x50'x4500PSI GRAY PU HW SWV/RIGID	1
4	7102045	TOOL, NOZZLE CLEANING, UNIVERSAL	1
5	7108134	GUN,5075PSI 12GPM 3/8 FNPT IN 1/4 FNPT	1
6	7100551	LANCE 48", 1/4 MPT X 1/4 QC COUPLER	1

