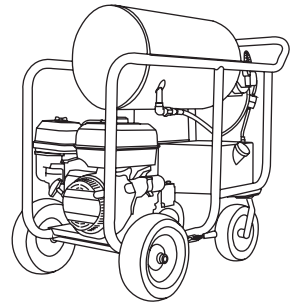
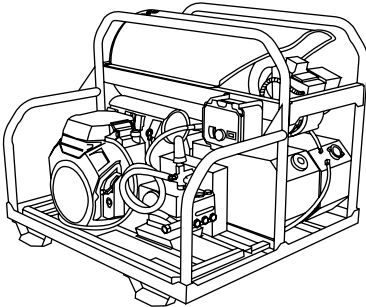
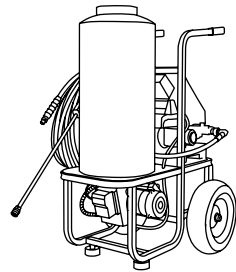





# HOT WATER PRESSURE WASHER USE AND CARE MANUAL



 **LOOK BEFORE YOU PUMP!**

— Ethanol Percentage —

<10% **OK** **NO** 15%–30%–85%



## READ THIS MANUAL CAREFULLY BEFORE OPERATION

Failure to follow the instructions and safety precautions in this manual can result in property damage, serious injury and/or death.

If your pressure washer is not working or if there are parts missing or broken, please **DO NOT RETURN IT TO THE PLACE OF PURCHASE**. Contact our Customer Service Department by calling **1-877-362-4271** or emailing **[cservice@fna-group.com](mailto:cservice@fna-group.com)**

## SAVE THIS MANUAL FOR FUTURE REFERENCE

**NOTE: Photographs and line drawings used in this manual are for reference only and may not represent your specific model.**

# NOTES

---

---

**THIS PAGE WAS INTENTIONALLY LEFT BLANK**

## SAVE THIS MANUAL FOR FUTURE USE

Keep this manual for future reference. This manual should be considered a permanent part of the product and stay with it. This manual should be available to anyone operating the product(s) it covers. This manual should remain with the product(s) it covers if sold to a new owner. If the manual becomes damaged, lost, or otherwise unusable, you may download a new copy from the product pages at [www.simpsoncleaning.com](http://www.simpsoncleaning.com) or contact customer support by calling 1-877-362-4271.

Write down the model number, serial number, and purchase date of this product in the spaces provided below then keep this manual with the purchase receipt(s) for future reference.

Model Number:

---

Serial Number:

---

Purchase Date:

---

# TABLE OF CONTENTS

---

---

<b>SAFETY INSTRUCTIONS</b>	<b>4</b>
Read this Manual Before Operating	4
Additional Instructions	4
Hazard Alert Symbols	4
<b>DISCLAIMERS</b>	<b>6</b>
<b>PERSONAL PROTECTIVE EQUIPMENT</b>	<b>6</b>
<b>IMPORTANT SAFETY INSTRUCTIONS</b>	<b>7</b>
Gasoline or Diesel Driven	7
Electric Driven	14
<b>GET TO KNOW THE PRESSURE WASHER</b>	<b>16</b>
Pressure Washer Terminology	16
<b>ASSEMBLY</b>	<b>18</b>
Assemble the Spray Gun	18
Organize Accessories	18
Adding the Pump Breather Cap	19
<b>CONNECTING HOSES</b>	<b>19</b>
<b>PRESSURE WASHER OPERATING FEATURES</b>	<b>20</b>
Pressure Adjustments	20
How to use the Spray Wand	21
Changing Nozzles on the Spray Wand	21
<b>COMPONENT LOCATIONS</b>	<b>22</b>
Engine Powered Pressure Washer	22
Engine Powered, Skid Mounted Pressure Washer	23
Electric Powered Pressure Washer	24
<b>HOW TO APPLY CLEANING SOLVENTS</b>	<b>26</b>
<b>ENGINE PREPARATION</b>	<b>27</b>
Gasoline Engine Oil	27
Gasoline Engine Fuel	28
Diesel Engine Oil	30
Diesel Engine Fuel	31
<b>BATTERY CONNECTIONS</b>	<b>31</b>
<b>PURGING AIR FROM THE PUMP</b>	<b>32</b>
<b>OPERATING CHECKLIST</b>	<b>33</b>
Location	33

High Altitude Operation	34
Operating Conditions	34
<b>STARTING THE ENGINE</b>	<b>36</b>
Gasoline Engine - Electric Start	36
Gasoline Engine - Recoil Start	36
Starting the Engine - Diesel	37
<b>STARTING ELECTRIC PRESSURE WASHER</b>	<b>38</b>
<b>HOT WATER OPERATION</b>	<b>40</b>
Filling the Burner Fuel Tank	40
Starting the Burner	40
<b>SHUTTING DOWN THE SYSTEM</b>	<b>41</b>
<b>OPERATION TIPS</b>	<b>42</b>
Preparation	42
Pressure Washing	42
<b>HOUR METER</b>	<b>42</b>
<b>MAINTENANCE</b>	<b>43</b>
Cleaning the Pressure Washer	43
Prework Inspection	43
Connections	43
Nozzle Cleaning	44
Water Inlet Filter	44
Engine Maintenance	45
Pump Maintenance	45
Maintenance Schedule Chart	46
<b>STORAGE AND TRANSPORTATION</b>	<b>47</b>
Storing for Two Months or Less (Gasoline)	47
Storing for Two Months or less (Diesel)	47
Storing for Two Months or Less (Electric Powered)	47
Storing for Two Months or More (Gasoline)	48
Storing for Two Months or More (Diesel)	48
Storing for Two Months or More (Electric Powered)	48
Transportation	49
<b>USING SIMPSON® PUMP GUARD</b>	<b>50</b>
<b>TROUBLESHOOTING</b>	<b>51</b>
Power System: Gasoline or Diesel Driven	51
Power System: Electric Driven	52
Pumping System	52
Heating Burner System: Diesel Fired	54
Heating Burner System: Natural Gas or Liquid Propane Fired	56
<b>LIMITED WARRANTY</b>	<b>59</b>

# SAFETY INSTRUCTIONS



## READ THIS MANUAL BEFORE OPERATING

This manual contains important safety information and instructions. **Do not** operate this product until you have read, and completely understand all safety, operation, and maintenance instructions listed in this manual. Failure to follow the information contained in this manual will result in property damage, injury, and/or death.

**NOTE:** The warnings and precautions discussed in this manual cannot cover all conditions and situations that may occur. The operator must understand awareness and caution are factors which cannot be built into this product and so must be exercised by the operator.



## ADDITIONAL INSTRUCTIONS

Along with this manual, be sure to read any additional instructions provided both on and with the product, attached equipment, accessories, and the engine powering the product. Pay careful attention to all additional safety rules and instructions on proper startup, operation, and shutdown procedures. Always use any recommended protective apparel that may be needed to operate the equipment safely.



## HAZARD ALERT SYMBOLS

Be sure to understand the safety symbols and definitions listed below. Each symbol contains one of four words: **DANGER**, **WARNING**, **CAUTION**, **NOTICE**, indicating different levels of hazard severity. These symbols are used throughout this manual and are followed information about a specific hazard, the consequences of the hazard, and instructions on how to avoid the hazard. Failure to heed these symbols and follow the instructions provided with them will result in property damage, injury, and/or death.



Indicates an imminently dangerous situation, which if not avoided, will result in property damage, serious injury, and/or death.



Indicates a potentially hazardous situation, which if not avoided, could result in property damage, serious injury, and/or death.



Indicates a hazardous situation, which if not avoided, could result in property damage and/or minor to moderate injury.



Indicates information considered important, but not directly hazard related.

## CAUTION



## TRIPPING HAZARD

Hoses may pose a tripping hazard that can cause injuries resulting from a fall

## CAUTION:

## SLIP / TRIP HAZARDS

When pressure washing in public areas, signs should be posted that indicate to stay clear of the area as high-pressure washing is being performed. Also, signs should be posted that the surface may be slippery and trip hazards may be present.

Special consideration needs to be made to the safety of not just the operator of the pressure washer, but also people who may be adjacent to the area being cleaned. The best way to warn unsuspecting individuals is with signage and barriers.

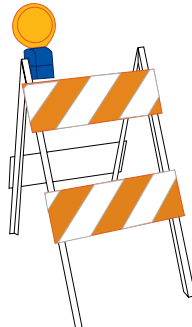
Barriers can be as simple as plastic traffic cones or barricades to using barrier belts around the area being cleaned. Remember, pressure washing can dislodge weak or broken pavement turning it into projectiles that may injure others. Keeping people clear of the area is the best way to avoid injury.

Wet pavement can be slippery to unsuspecting individuals causing injury from slips and falls. High-pressure and low-pressure hoses can be trip hazards. Segregating the area and placing appropriate signage can reduce injury.

### Sign examples



### Barrier examples





## CALIFORNIA PROPOSITION 65 WARNING

This product and the engine exhaust can expose you to chemicals which are known to the state of California to cause cancer, birth defects, or other reproductive harm. For more information on California Proposition 65, go to [www.P65Warnings.ca.gov](http://www.P65Warnings.ca.gov).



## POLYCYCLIC AROMATIC HYDROCARBON WARNING

The air filter element and air box assembly may contain polycyclic aromatic hydrocarbons (PAHs). Some PAHs may cause cancer. To avoid exposure to PAHs, wear gloves when performing air filter maintenance.



## **WARNING:** SPARK ARRESTING MUFFLER

This product may not be equipped with a spark-arresting muffler. If the product is NOT equipped and to be used around flammable materials or on land covered with materials such as agricultural crops, forest, brush, grass or other similar material, then a spark arrester MUST be installed and is legally required in the state of California.

It is a violation of California statutes section 130050 and/or sections 4442 and 4443 of the California Public Resource Code, unless the engine is equipped with a spark arrester, as defined in section 4442, and maintained in effective working order.

Spark arresters are also required on some U.S. Forest Service land and may also be legally required under other statues and ordinances.

## DISCLAIMERS



All information in this publication was based on the latest product information available at the time of printing. The FNA Group reserves the right to update, change, and/or improve the product and this document at any time, without notice and without incurring any obligation.

This manual may cover more than one machine. The pictures and figures in the manual should be used for reference only. There may be differences between your product and the pictures, drawings and diagrams in this manual.

If you loan, rent or sell this machine, be sure to include all instructional materials with the unit!

## PERSONAL PROTECTIVE EQUIPMENT (PPE)

It is important to understand what personal protective equipment (PPE) should be utilized when using your pressure washer. Below is a list of PPE items that should be utilized at all times when using the pressure washer.

Hearing - Ear plugs or muffs to protect your hearing.

Vision - Safety glasses or goggles to protect your eyes.

Clothing - Long pants to protected your legs from flying debris.

Shoes - Shoes that fully cover your feet to protect against debris and over spray.



# IMPORTANT SAFETY INSTRUCTIONS: GASOLINE OR DIESEL DRIVEN



## **WARNING:** TOXIC FUMES

Engine exhaust contains carbon monoxide, an odorless, colorless, poisonous gas. Running an engine indoors will kill you in minutes. Never use this product inside a house, garage, or any other kind of enclosure even if doors and windows are open. Run engine outside at least 20 feet (6 meters) away from windows, doors, and vents. Carefully consider wind direction and air currents when using this product outside to avoid breathing in engine exhaust. Always use a carbon monoxide detector in any occupied buildings near the running engine.

**NEVER** use an engine or oil burner inside homes, garages, crawlspaces or other partly enclosed areas. Deadly levels of carbon monoxide can build up in these areas. Using a fan or opening windows and doors does **NOT** supply enough fresh air.

**ONLY** use outdoors and far away from open windows, doors or vents. These openings can pull in engine or burner exhaust. Never operate the pressure washer in or near a location occupied by humans or animals.

Even when the engine is used correctly, carbon monoxide may leak into your home. **ALWAYS** use a battery-powered or battery backup carbon monoxide detector in your home. **Read, follow and understand all directions** for the carbon monoxide detector before using it or this pressure washer. If you feel sick, dizzy or weak at anytime, move to fresh air immediately then seek the care of a physician. You could have carbon monoxide poisoning!

## **WARNING:**

Do not operate this unit until you have read this instruction manual and the engine instruction manual for safety, operation and maintenance instructions. If you have any questions regarding this product, please contact our customer service at 1-877-362-4271 or email at: [cservice@fna-group.com](mailto:cservice@fna-group.com)

**SAVE THIS MANUAL FOR FUTURE USE**



## **WARNING:** INJECTION INJURY

Risk of injection or severe injury. Keep clear of the nozzle. **DO NOT** direct the stream at persons, pets or animals. **DO NOT** use a leaking high-pressure hose. **DO NOT** attempt to repair the high-pressure hose, **REPLACE IT!**



**! DANGER:**

**RISK OF EXPLOSION OR FIRE**

<b>WHAT CAN HAPPEN</b>	<b>HOW TO PREVENT IT</b>
<p>Spilled fuel (gasoline, diesel, kerosene, approved alternative fuels) and its vapors can become ignited from cigarette sparks, electrical arcing, exhaust gases and hot engine components such as the muffler.</p>	<p>Shut off the engine and allow it to cool before adding fuel to the tank(s).</p> <p>During refueling, all ignition sources and switches should be in the OFF position.</p> <p>Use care in filling tank to avoid spilling fuel. Move pressure washer away from the fueling area before starting engine.</p>
<p>Heat will expand fuel in the tank which could result in spillage and possible fire or explosion.</p>	<p>Keep maximum fuel level 1/2" (12.7mm) below bottom of filler neck to allow for expansion.</p>
<p>Operating the pressure washer in an explosive environment could result in a fire.</p>	<p>Operate and fuel equipment in well ventilated areas free from obstructions. Keep a fire extinguisher rated for gasoline fires within reach.</p>
<p>Materials placed against or near the pressure washer can interfere with its proper ventilation features causing overheating and possible ignition of the materials.</p>	<p>Never operate pressure washer in an area containing dry brush or weeds.</p>
<p>Improperly stored fuel could lead to accidental ignition. Fuel improperly secured could get into the hands of children or other unqualified persons.</p>	<p>Store engine and burner fuel in a clean OSHA approved container, in a secured location away from the work area. Do not allow debris or moisture into the container.</p>
<p>Spraying gasoline, kerosene or any kind of flammable solvent with this product could result in serious injury or DEATH.</p>	<p>Do not spray flammable liquids.</p>
<p>Flammable liquids can create fumes which can ignite causing property damage or serious injury.</p>	<p>Only fuel in a well ventilated area. Clean up any spills promptly and do not start the engine in the same area where you filled the tanks.</p>



## **! DANGER:**

## **RISK TO BREATHING (ASPHYXIATION)**

<b>WHAT CAN HAPPEN</b>	<b>HOW TO PREVENT IT</b>
<p>Breathing exhaust fumes will cause serious injury or DEATH! Engine exhaust contains carbon monoxide, an odorless, colorless gas.</p>	<p>Only operate pressure washer in a well ventilated area. DO NOT use in enclosed areas like a garage, basement, etc.</p> <p>Never operate unit in or near a location occupied by humans or animals.</p> <p>Never connect pressure washer to a TYPE B gas vent.</p>
<p>Some cleaning fluids contain substances which could cause injury to skin, eyes or lungs.</p>	<p>Use only cleaning fluids specifically recommended for pressure washers. Follow manufacturers recommendations. DO NOT use chlorine bleach or any other corrosive compound.</p>



## **! DANGER:**

## **RISK OF FLUID INJECTION AND LACERATION**

<b>WHAT CAN HAPPEN</b>	<b>HOW TO PREVENT IT</b>
<p>Your pressure washer operates at fluid pressure and velocities high enough to penetrate human and animal flesh which could result in amputation or other serious injury. Leaks caused by loose fittings or worn or damaged hoses can result in injection injuries. DO NOT TREAT FLUID INJECTION AS A SIMPLE CUT! See a physician immediately.</p>	<p>Inspect the high-pressure hose regularly, Replace the hose immediately if it is damaged, worn, has melted from contacting the engine or show signs of cracks, bubbles, pinholes, or other leakage. NEVER grasp a high-pressure hose that is leaking or damaged.</p> <p>Never touch a high-pressure hose with a pinhole or similar leak. The steam of water is under high pressure and WILL penetrate skin.</p> <p>Never place hands in front of the nozzle.</p> <p>Direct the spray away from self or others.</p> <p>Make sure the hose is in good condition and the connections are tight.</p> <p>Do not allow hose to contact the muffler.</p> <p>Never attach or remove wand or hose while system is pressurized.</p> <p>Use only accessories rated equal to or higher than the rating of the pressure washer.</p>
<p>Injures can result if system pressure is not reduced before attempting maintenance or disassembly.</p>	<p>To relieve system pressure: shut off engine, turn off water supply and pull gun trigger until water flow stops.</p>



# **DANGER:**

## **RISK OF INJURY FROM SPRAY**

<b>WHAT CAN HAPPEN</b>	<b>HOW TO PREVENT IT</b>
<p>High velocity fluid can cause objects to break, projecting particles at high speed.</p>	<p>Always wear safety glasses. Wear protective clothing to protect against accidental spraying.</p> <p>Never point wand at or spray people and/or animals.</p>
<p>Light or unsecured objects can become hazardous projectiles.</p>	<p>Always secure trigger lock when wand is not in use to prevent accidental spraying.</p> <p>Never permanently secure trigger in pullback (open) position.</p>



# **DANGER:**

## **RISK OF UNSAFE OPERATION**

<b>WHAT CAN HAPPEN</b>	<b>HOW TO PREVENT IT</b>
<p>Unsafe operation of your pressure washer could lead to serious injury or death to you or others.</p>	<p>Do not use chlorine bleach or any other corrosive compound.</p> <p>Become familiar with the operation and controls of the pressure washer.</p> <p>Keep operating area clear of all persons, pets and obstacles.</p> <p>Do not operate the unit when fatigued or under the influence of drugs and/or alcohol. Stay alert at all times.</p> <p>Never compromise the safety features of the pressure washer.</p> <p>Do not operate the machine with missing, broken or unauthorized parts.</p> <p>Never leave the machine unattended while running. Turn the machine off.</p> <p>Do not obstruct the burner exhaust.</p> <p>Never tamper with the thermal relief valve.</p> <p>Do not tamper with the unloader valve.</p> <p>Do not modify the pressure washer in any way.</p> <p>Never attempt to repair a damaged high-pressure hose. Replace it.</p>

WHAT CAN HAPPEN	HOW TO PREVENT IT
<p>If the proper starting procedure is not followed, engine can kickback causing serious hand and arm injuries.</p>	<p>Pull starter cord slowly until resistance is felt, then pull cord rapidly to avoid kickback and prevent hand or arm injury. If the engine does not start after two attempts, squeeze the trigger to release pump pressure.</p>
<p>The spray gun/wand is a powerful cleaning tool that could look like a toy to a child.</p>	<p>Keep children away from the pressure washer at all times.</p> <p>Never leave the pressure washer unattended while running.</p> <p>Always relieve pressure from the system once you have stopped the engine.</p>
<p>Reactive force of the spray will cause gun/wand to kickback and could cause the operator to slip or fall or misdirect the spray. Improper control of the gun/wand can result in injuries to self or others.</p>	<p>Do not overreach or stand on an unstable support.</p> <p>Do not use pressure washer while standing on a ladder.</p> <p>Grip gun/wand firmly with both hands. Expect gun to kickback when triggered.</p>



**RISK OF INJURY OR PROPERTY DAMAGE  
WHEN TRANSPORTING OR STORING**

WHAT CAN HAPPEN	HOW TO PREVENT IT
<p>Fuel or oil can leak or spill and could result in a fire or breathing hazard. Serious injury or death can result. Fuel or oil leaks will damage carpet, paint or other surfaces in a vehicle or trailer.</p> <p>Oil could fill the compression cylinder and damage the engine if the unit is not stored or transported in an upright position.</p>	<p>If pressure washer is equipped with a fuel shut-off valve, turn the valve to the OFF position before transporting to avoid fuel leaks. If the pressure washer is not equipped with a fuel shut-off valve, drain the fuel from the tank before transporting.</p> <p>Only transport fuel in an OSHA-approved container.</p> <p>Always place pressure washer on a protective mat when transporting to protect against damage to vehicle from leaks.</p> <p>Always transport and store unit in an upright position. Remove pressure washer from vehicle immediately upon arrival at your destination.</p>



**! DANGER:**

**RISK OF ELECTRICAL SHOCK**

**WHAT CAN HAPPEN**

**HOW TO PREVENT IT**

Spray directed at electrical receptacles or switches, or objects connected to an electrical circuit, could result in a fatal electrical shock.

Direct spray away from electric receptacles, switches and equipment.

Never clean any electrically operated device, even when disconnected, unless it clearly states in its manual that such cleaning is approved.



**! DANGER:**

**RISK OF CHEMICAL BURN**

**WHAT CAN HAPPEN**

**HOW TO PREVENT IT**

Use of acids, toxic or corrosive chemicals, poisons, insecticides or any kind of flammable solvent with this pressure washer could result in serious injury or death.

Do not spray acids, gasoline, kerosene or any flammable materials with this product. Use only household detergents, cleaners and degreasers that are approved for use with pressure washers.

Wear goggles, shoes and protective clothing to protect eyes and skin from contact with the sprayed materials.



**! WARNING:**

**RISK OF BURSTING**

**WHAT CAN HAPPEN**

**HOW TO PREVENT IT**

High-velocity spray directed at pneumatic tire sidewalls (such as found on automobiles, trailers and the like) could damage the sidewall resulting in serious injury.

On pressure washers rated above 1600 psi (11032 kPa) use the widest fan spray (40° nozzle) and keep the spray a minimum of 8" (20cm) from the pneumatic tire sidewall. Do not aim spray directly at the joint between the tire and rim.



**! WARNING:**

**RISKS FROM HOT SURFACES**

<b>WHAT CAN HAPPEN</b>	<b>HOW TO PREVENT IT</b>
Contact with hot surfaces, such as engine exhaust components, could result in serious burns.	During operation, touch only the control surfaces of the pressure washer. Keep children away from the pressure washer at all times. They may not be able to recognize the hazards of this product.
Contact with spray will result in a serious burns.	DO NOT touch spray! ALWAYS direct spray away from self and others.

**! WARNING:**

**RISK OF INJURY FROM LIFTING**

<b>WHAT CAN HAPPEN</b>	<b>HOW TO PREVENT IT</b>
Serious injury can result from attempting to lift too heavy of an object.	The pressure washer is too heavy to be lifted by one person. Obtain assistance from others before lifting.

**NOTICE**

**RISK OF PROPERTY DAMAGE**

<b>WHAT CAN HAPPEN</b>	<b>HOW TO PREVENT IT</b>
Muffler and burner exhaust heat can damage painted surfaces, melt any material sensitive to heat (such as siding, plastic, rubber, vinyl or the pressure hose, itself) and damage live plants.	Always keep pressure washer a minimum of 4 feet (1.2 meters) away from surfaces (such as houses, automobiles or live plants) that could be damaged from muffler exhaust heat.

**SAVE THESE INSTRUCTIONS  
FOR FUTURE USE**

# IMPORTANT SAFETY INSTRUCTIONS:

## ELECTRIC DRIVEN



### CALIFORNIA PROPOSITION 65 WARNING

This product can expose you to chemicals, including lead and lead compounds, which are known to the state of California to cause cancer, birth defects, or other reproductive harm. For more information on California Proposition 65, go to [www.P65Warnings.ca.gov](http://www.P65Warnings.ca.gov).

### **WARNING:**

Please read the entire manual before attempting to assemble, operate or install this product.

This unit was designed for specific applications. It should not be modified and/or used for any application other than that which it was designed.

Always store the pressure washer in a location where the temperature will not fall below 40° F (4° c). Freeze damage is not covered by the warranty.

If you loan, rent or sell this machine, be sure to include all instructional materials with the unit!

### SAVE AND READ THESE INSTRUCTIONS

*When using this product, basic precautions should always be followed including the following:*

- Do not touch plug or receptacle with wet hands
- Avoid accidental starts. Move switch on the unit to the OFF position before connecting or disconnecting cord from electrical receptacles.
- Water spray must never be directed towards any electric wiring or directly toward the pressure washer itself as fatal electrical shock may occur.
- Never carry or pull your pressure washer by the electrical cord. Do not pull or yank on the cord to disconnect it from the electrical receptacle.
- To prevent damage, the cord should not be crushed, placed next to sharp objects or near a heat source.
- Inspect the electrical power supply cord before connecting it to an electrical receptacle. Damaged cords can reduce performance or cause a fatal electrical shock.
- Disconnect power plug from the receptacle when not in use and prior to detaching the high-pressure hose.
- The pressure washer should not be used in areas where flammable vapors may be present. An electrical spark could cause an explosion or fire.
- To minimize water infiltration to the pressure washer motor, locate the pressure washer as far as possible from the cleaning site during operation.
- Allow free air circulation to the pressure washer. Never cover the pressure washer during operation or directly after being used.
- Never defeat the safety devices on the pressure washer.
- Never use the pressure washer with an electrical extension cord. Move the pressure washer closer to the receptacle instead.



## MOTOR OVERLOAD

This pressure washer is equipped with an overload protection device which will automatically shut off the motor in the event the motor draws excessive current or overheats.

## GROUNDING INSTRUCTIONS

This product must be grounded. If it should malfunction or break down, grounding provides a path of least resistance for the electric current to reduce the risk of electric shock. This product is equipped with a power supply cord having an equipment grounding conductor and a grounded plug. The plug must be plugged into a properly installed and grounded receptacle that meets all local codes and ordinances. DO NOT use any type of grounding adapter.



**WARNING:**

**ELECTRICAL GROUNDING**

Improper connection of the equipment grounding conductor can result in the risk of electrocution. If in doubt of proper grounding, have a licensed electrician verify the installation of the receptacle. Do not modify the plug provided with the product if it will not fit the receptacle installed. Do not use any type of adapter with this product.

## GROUND FAULT CIRCUIT INTERRUPTER (GFCI) - (IF EQUIPPED)

This pressure washer is provided with a Ground Fault Circuit Interrupter (GFCI) built into the plug of the power supply cord. This device provides additional protection from the risk of electrical shock. Should replacement of the plug or cord become necessary, use only identical replacement parts that included GFCI protection.

## POWER SUPPLY AND ELECTRICAL INFORMATION

This cord should only be connected to an electrical outlet installed in accordance with local codes and ordinances.

- A. Inspect cord before using. Do not use if the cord is damaged in any way.
- B. Keep all connections dry and off of the ground.
- C. Do not touch the plug with wet hands.
- D. For a product rated 250 volts or less, single phase; this product is provided with a ground fault circuit interrupter built into the plug. If replacement of the plug or cord is necessary, use only identical replacement parts.
- E. In the situation where the power supply is rated above 250 volts and/or is three phase, this product must be plugged into a receptacle protected by a ground fault circuit interrupter.
- F. Read the instruction manual(s) before using this product.



**WARNING:**

***To reduce the risk of electrocution, keep all connections dry and off the ground. Do not touch the plug or power supply receptacle with wet hands!***

# GET TO KNOW THE PRESSURE WASHER

## PRESSURE WASHER TERMINOLOGY

---

**12 volt DC Battery** (if equipped): The 12 volt battery operates the engine's electrical starting system. After the engine is started, the system will charge the battery and operate the burner (if equipped). The 12 volt battery will need to be replaced regularly to ensure consistent performance.

**Back Flow Preventer:** Prevents back flow of water from the pressure washer into a potable water system.

**BTU (British Thermal Unit):** The amount of work or energy it takes to raise the temperature of one pound of water by one degree Fahrenheit.

**Burner Assembly:** A device used to change fuel into heat energy. It is used to heat the water in the coil assembly and is designed to use #2 diesel fuel or kerosene.

**Bypass Mode:** Allows water to recirculate within the pump when the gun trigger is not pulled. This feature allows the operator to release the trigger gun and reposition themselves without having to turn the engine off between cleaning actions.  
**NOTE:** Never allow the unit to run in bypass mode for longer than two minutes.

**Chemical Injection System** (if equipped): Mixes cleaners or cleaning solvents with the water to improve cleaning effectiveness.

**CU:** Cleaning Units. GPM multiplied by PSI equals CU.

**Diesel Engine** (if equipped): An compression-ignition engine that uses diesel fuel to create rotational force for mechanical work.

**EVAP canister** (if equipped): A device that collects fuel vapors and later purges them so they burn in the combustion process.

**Flow switch:** A switch which responds to changes in water flow. The flow of water moves a magnet that operates a reed or micro switch. The switch controls voltage to the fuel solenoid in the burner system.

**Gasoline Engine** (if equipped): An internal combustion engine that uses gasoline as fuel to create rotational force for mechanical work.

**GPM:** Gallons Per Minute. The unit of measurement for the flow of water.

**Spray gun:** The device that is held to control the direction and flow of high-pressure water.

**High-pressure Hose:** A plastic or rubber hose that is constructed to withstand the high pressure output of a pressure washer. Never repair a high-pressure hose, always replace the damaged hose with one that is rated the same or higher pressure and within the temperature range of your pressure washer.

**High Pressure Pump Oil:** A lubricant that is specifically designed for use inside a high-pressure water pump. The preferred oil is SIMPSON® Premium Pump Crankcase Oil. If this oil is not available, SAE 15W-40 oil may be used. Refer to the section on Pump Maintenance in this manual as to the service intervals for your pump.

**Hour Meter** (if equipped): An analog or digital display timing device that records how many hours the pressure washer engine has ran in its lifetime. Use this information for preventative maintenance service intervals.

**Nozzle:** A device for the metering of fluids. The size and machining of the orifice determines the spray pattern as well as the rate of flow for a given pressure.

**Pressure Relief Valve:** A protective mechanical device that opens to atmosphere when the system pressure exceeds a preset level. **NEVER** tamper with or modify the pressure relief valve in anyway. **SERIOUS INJURY** or **DEATH** may result.

**Pressure Switch:** An electrical switch that activates at preset pressure levels through the function of a diaphragm. The pressure switch is used to control the fuel solenoid in the burner system.

**Pressure Wand Assembly:** The collection of parts that includes the gun, wand and nozzle.

**PSI:** Pounds per Square Inch. The unit of measurement for fluid or gas pressure. Exceeding the maximum operating pressure could result in damage to the unit, **SERIOUS INJURY** or **DEATH**.

**Pump:** Mechanical device that accelerates the movement of water through the pressure washer system. The pressure is created by the restrictive flow of the nozzle.

**Temperature Control:** A device that controls the temperature of the water. The adjustable temperature control (if equipped) allows the operator to tailor the temperature to the cleaning requirements. Never set the control above 195°F. The burner will automatically shut off if insufficient water flow through the burner coil causes the temperature to rise above the setting.

**Temperature Relief Valve (TRV):** A protective device that opens to atmosphere should the temperature rise above a preset level. The TRV is typically located on the output side of the pump. Should the water temperature rise too high due to recirculation, the valve will open allowing cooler water to enter the pump. The valve will then close.

**Unloader Valve:** A mechanical device that adjusts itself due to the rate and pressure of fluid flowing through it. In a pressure washer, the unloader valve reroutes water through the pump when the gun trigger is released. This allows the water to circulate through the pump without undo pressure building. The unloader valve can be used as a pressure regulating device in certain situations.

**Water Column** (if equipped): A measurement of NG or LP gas pressure by the displacement of water within the manometer measuring device.

**Water Supply:** The source of water for the pressure washer. Typically the minimum requirement is twice the rated volume for the machine at 20 PSI.

**Wand:** Also known as a lance, is the extension piece from the gun to the quick connector for the nozzle.

# ASSEMBLY

Follow the steps outlined in this section assemble your pressure washer. If you have any questions regarding the assembly of your pressure washer, please have your model number and serial number ready, then contact customer support at 1-877-362-4271 or email [cservice@fna-group.com](mailto:cservice@fna-group.com).



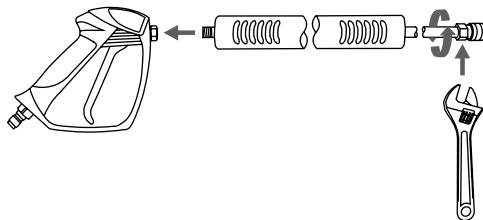
**WARNING:**

**INJECTION INJURY**

The high pressures created by a pressure washer can cause fluid injection injuries, severe lacerations, amputations, and / or death. To avoid these hazards, always aim the spray gun and lance in a safe direction when using the pressure washer and never attempt to touch a leak in a high-pressure hose or fitting.

## ASSEMBLE THE SPRAY GUN

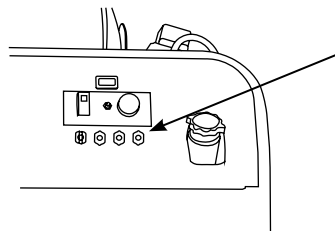
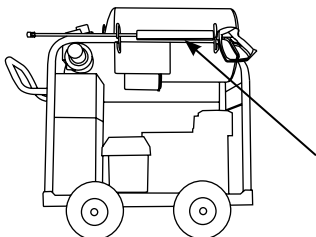
Hand thread the lance clockwise into the gun. Be careful not to cross-thread the gun and lance. Using an adjustable wrench, tighten the lance by placing the wrench on the flats of the nozzle quick-connector.



**WARNING!** The threads on the lance and gun coupler can be easily cross threaded resulting in an improper assembly. An improper assembly of the gun and lance can result in personal injury. Do not use if the threads on the gun coupler and or lance are cross threaded.

## ORGANIZE ACCESSORIES

1. Place the spray gun and lance on the holders
2. Push the nozzles into the rubber grommet holders.



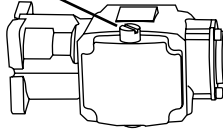
Note: The unit shown above is used as an example. Your unit may vary in look and accessory placement.

## ADDING THE PUMP BREATHING CAP (if applicable)

The RED shipping plug, on the top of the pump, must be replaced with a BLACK breather cap. The cap is easy to replace with the following steps:

1. Using a bladed screw driver, remove the RED shipping plug from the top of the pump.
2. Hand thread the BLACK breather cap into the pump.
3. Snug the cap with your fingers.

RED shipping plug



BLACK breather cap

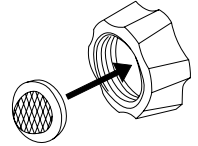
---

# CONNECTING HOSES

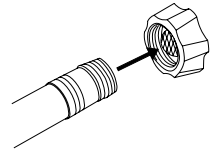
---

Before connecting a water supply hose, be sure the water supply is capable of providing an uninterrupted source of clean, cold water at a minimum rate of 5 gallons per minute (GPM) and 20 pounds per square inch (PSI) of pressure. Once a proper water supply is secured, follow the instructions below to connect both the water supply and high-pressure hoses to the pressure washer.

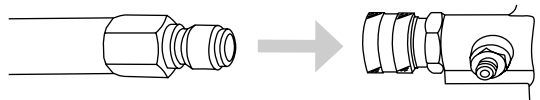
1. Verify the inlet screen is free of any dirt or debris and is in place with the convex side facing out.



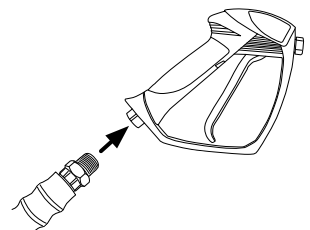
2. Turn on the water supply and run for 30 seconds to purge any debris from the supply hose. Then, turn off the water supply and thread the water supply hose into the pump inlet.



3. While pulling back on the pump outlet collar, insert the hose connector then release the collar. Gently tug on the hose to make sure it is locked.



4. Thread the high-pressure hose into the gun.



# PRESSURE WASHER OPERATING FEATURES

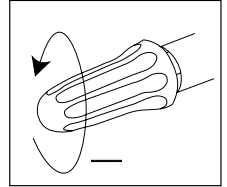
**IMPORTANT!** Become familiar with these features before operating the pressure washer.

## PRESSURE ADJUSTMENTS (if applicable)

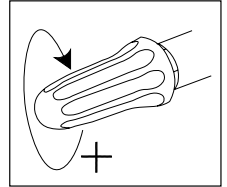
The pressure setting is preset at the factory to achieve optimum pressure and cleaning. If you need to lower the pressure, it can be accomplished by the following methods.

1. Back away from the surface to be cleaned. The further you hold the nozzle away from the surface, the lower the pressure will be.
2. Use the widest possible nozzle pattern available. The wider the pattern of water, the lower the pressure.
3. This pressure washer may be equipped with an additional feature that allows the pressure setting to be adjusted

A. To lower the pressure, turn the unloader valve knob counter-clockwise to the desired pressure.



B. To return the pump pressure to factory settings, turn the unloader valve knob clockwise until it stops.



## **NOTICE**

### ADJUST WITH CARE

DO NOT over tighten the pressure control knob. If over tightened, the knob COULD break and result in immediate loss of water pressure and costly repairs to the unit.





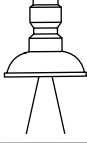
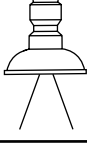

## **NOTICE**

### SPRAY DAMAGE

High-pressure spray can damage plants and other surfaces. To avoid causing damage, cover plants before spraying near them, refer to the Nozzle Selection table in this manual for correct nozzle selection, and test surfaces before spraying to make sure they are strong enough to withstand high-pressure spray.

## HOW TO USE THE SPRAY WAND

The nozzles for the spray wand are stored in the nozzle holder on the panel assembly. Colors on the panel identify nozzle location and spray pattern. Refer to the chart below to choose the correct nozzle for the job to be performed.

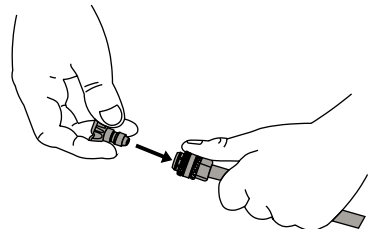
NOZZLE COLOR	SPRAY PATTERN	USES	SURFACES*
RED 0°		Powerful pinpoint for spot cleaning of hard, unpainted surfaces or for high reach areas.	Unpainted metal or concrete. DO NOT use on wood.
YELLOW 15°		Intense cleaning of hard, unpainted surfaces.	Grills, driveways, concrete or brick walkways, unpainted brick or stucco.
GREEN 25°		Standard cleaning nozzle for most applications.	Yard tools, sidewalks, lawn furniture, unpainted siding, stucco, gutters and eaves, concrete, brick surfaces
WHITE 40°		Cleaning of painted or delicate surfaces.	Auto/RV, marine, wood, painted brick and stucco, vinyl, painted surfaces
BLACK (SOAP)		Applies cleaning solutions.	Low pressure spray is safe on all surfaces. Always verify compatibility of cleaning solution prior to use.

**\*NOTICE!** The high pressure spray from your pressure washer is capable of causing damage to surfaces such as wood, glass, automotive paint, auto striping and trim, as well as delicate objects such as flowers and scrubs. Before spraying, check the item to be cleaned to assure yourself that is strong enough to resist damage from the spray of force.

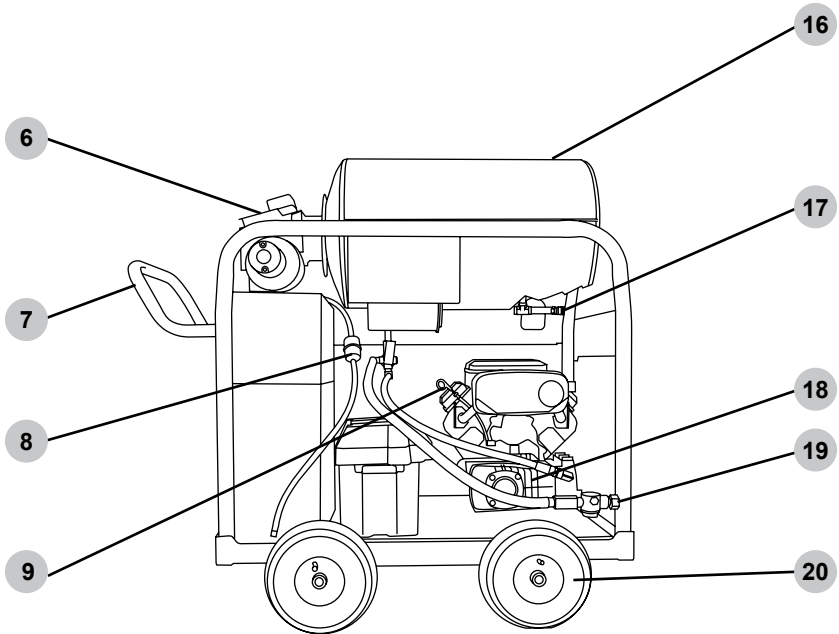
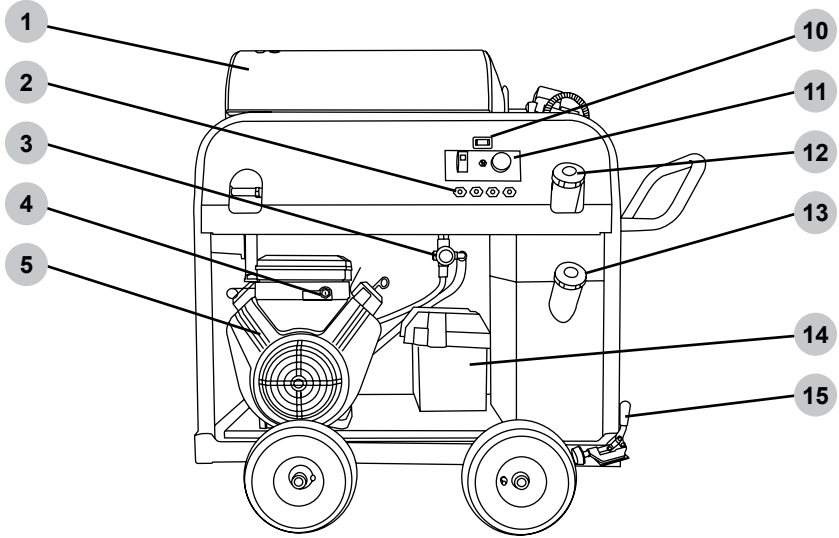
## Nozzle Installation

If the engine is running, make sure the trigger lock is in the locked position before removing and installing nozzles.

To place a nozzle into the spray wand, pull the quick-connect coupler back, insert the nozzle, then release the coupler allowing it to snap back in place. Once installed, pull on the nozzle to make sure it's secure.



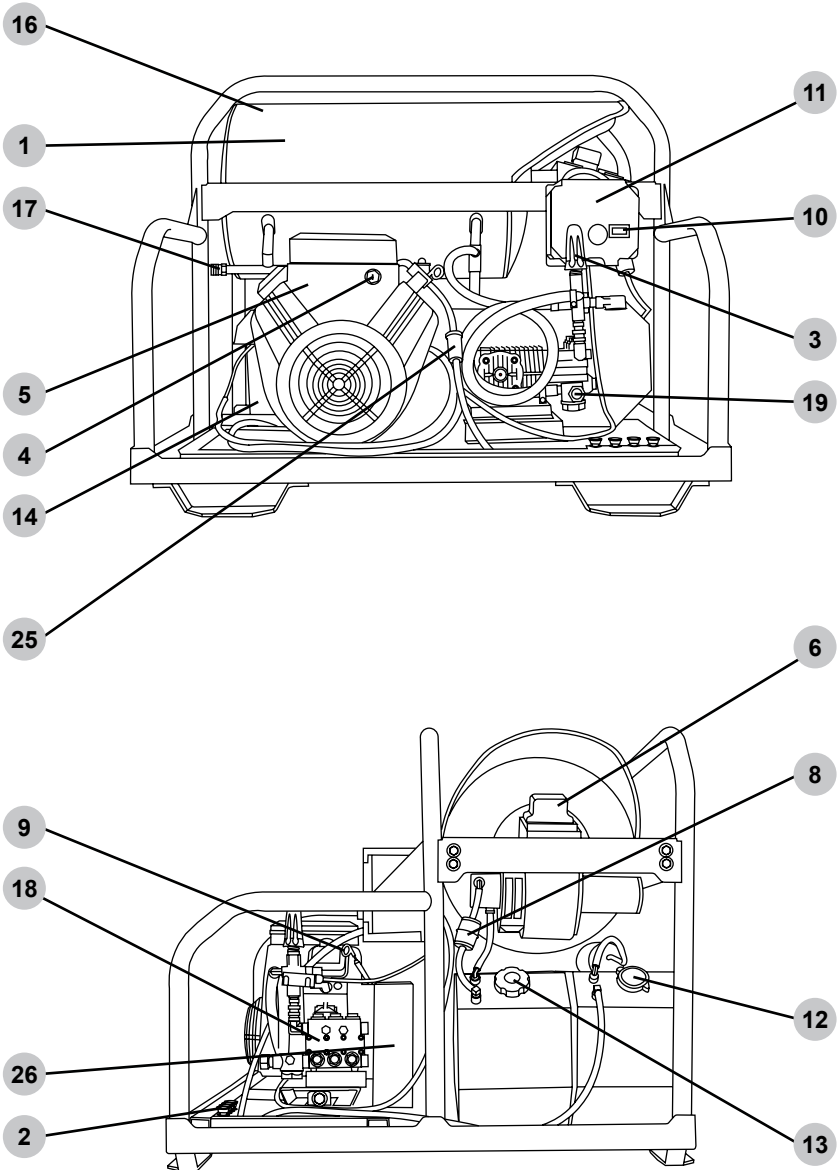
# COMPONENT LOCATIONS



## ENGINE POWERED PRESSURE WASHER

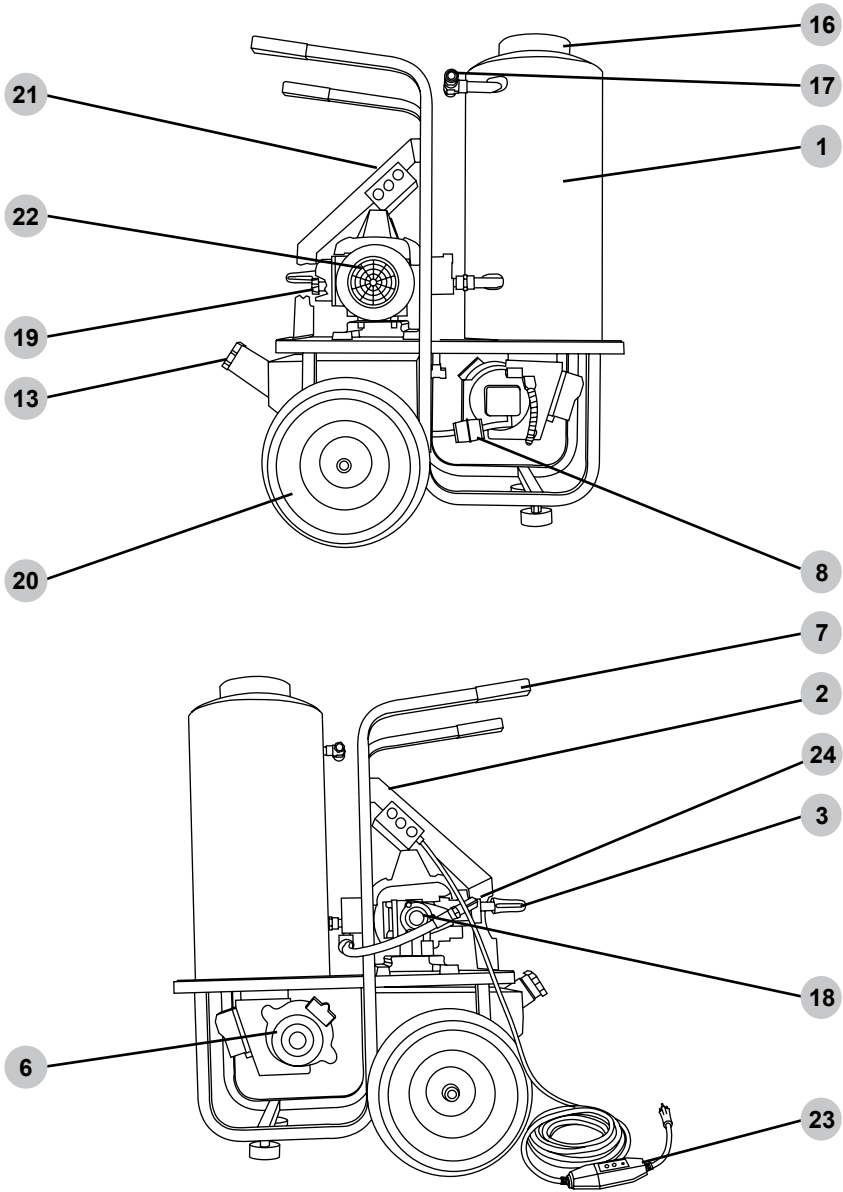
These illustrations are to familiarize you with the parts and their locations. Your unit may vary in options and their placement.





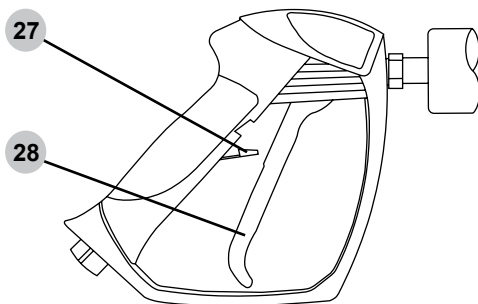
**ENGINE POWERED, SKID MOUNTED POWERED PRESSURE WASHER**

These illustrations are to familiarize you with the parts and their locations. Your unit may vary in options and their placement.



**ELECTRIC POWERED PRESSURE WASHER**

These illustrations are to familiarize you with the parts and their locations. Your unit may vary in options and their placement.



1. Burner housing
2. Nozzle holders
3. Unloader valve, see page **19**.
4. Engine key start (if applicable). Refer to your Engine Owner's Manual for location and operation.
5. Engine. Refer to your Engine Owner's Manual for operating instructions.
6. Oil burner assembly
7. Handle
8. Diesel burner fuel filter
9. Oil dipstick. Refer to your Engine Owner's Manual for location.
10. Hour meter, see page **41**.
11. Burner control panel, see pages **39**.
12. Engine fuel tank filler, see page **27** for gasoline or page **30** for diesel.
13. Burner fuel tank filler, see page **39**.
14. Battery box, see page **30**.
15. Wheel lock
16. Burner exhaust port(s).
17. High pressure output, see page **18**.
18. Pump
19. Low pressure water input and filter, see page **18**.
20. Tire
21. Pump and burner ON/OFF switches, see page **37**.
22. Electric motor
23. Electric power supply cord with in-line GFCI protection, see page **38**.
24. Integrated soap injector, see page **25**.
25. Gasoline fuel filter
26. Belt guard
27. Spray gun trigger lock
28. Spray gun trigger

# HOW TO APPLY CLEANING SOLVENTS (if equipped)

Applying cleaning solvents and soaps is a low-pressure operation. **NOTE:** Only use solvents, detergents and soaps that are designed for use in pressure washers. **DO NOT** use bleach, caustic or flammable solutions!

1. Ensure that the outboard soap injector is connected to the washer high-pressure output. (Fig. 1)

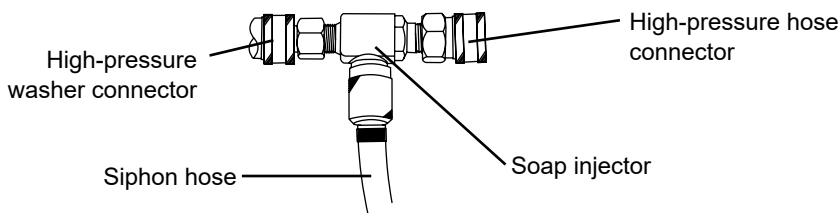
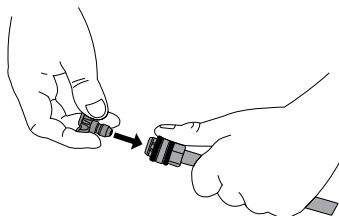


Fig. 1

2. Place the filtered end of the siphon hose into container holding cleaning detergent.

3. If the engine is running, make sure the trigger lock is in the locked position before removing and installing nozzles.

4. Insert the black, low-pressure nozzle into the quick connect fitting of the spray wand, see **How to Use The Spray Wand (pg. 20)** section of this manual for more information.



5. (If equipped) turn the soap control valve counterclockwise to increase soap output and clockwise to decrease soap output.

6. After use of cleaning agents, place the chemical siphon hose into a container of clean water. Draw the clean water through injection system to rinse it thoroughly. If not rinsed thoroughly, the injection system can clog from dried detergent.



**NOTICE**

**VOLATILE LIQUIDS**

Pressure washing with volatile, flammable, or corrosive liquids could cause pressure washer damage, fire, or explosion resulting in severe injury and/or death. To avoid these hazards, use only approved soaps and chemicals, do not attempt to pressure wash with volatile, flammable, or corrosive liquids, and NEVER use bleach.

# ENGINE PREPARATION



## **NOTICE**

### **FILL ENGINE BEFORE USE**

The engine is shipped from the factory without oil. Running the engine without oil will result in severe engine damage and void the warranty. To avoid causing engine damage and voiding the warranty, fill the engine with the recommended oil type before starting.



## **NOTICE**

### **USE CORRECT ENGINE OIL**

Oil is a major factor in the performance and service life of any engine. Using the incorrect oil may damage the engine and void the warranty. To avoid causing engine damage and voiding the warranty, check and change oil as required using the correct engine oil.



## **NOTICE**

### **READ THE ENGINE MANUAL**

This manual is a guide on how to use the pressure washer and its components. The manual for your engine is the repository for all the information you need for the safe operation and maintenance of the engine. Read and understand the Engine Operator's manual before using the engine.

## **GASOLINE ENGINE**

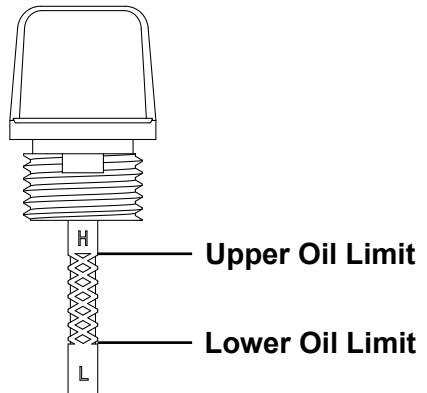
### **Oil**

Before using the pressure washer, you must fill the engine with the correct type and quantity of lubricating oil. When checking and filling the engine with oil, make sure the pressure washer is sitting on a level surface.

Use the Engine Operator's manual during the following steps:

1. Remove the dipstick from the engine. While the style may differ from the one shown at the right, all will have indication marks to show the correct oil level within the crankcase.

2. The Engine Operator's Manual contains important information as to the weight of oil for your given operating conditions. Typically, SAE 10W-30 API SG or newer, engine oil will suffice for most operating conditions. If you operate in high temperatures or very dirty conditions, consult the Engine Operator's Manual for oil recommendation.



3. Fill the crankcase with the correct type and quantity of oil, DO NOT overfill. Place the dipstick into the engine, but do not screw down (where applicable). Remove the dipstick to verify the oil level. If the level is low, carefully add a small quantity of oil then check the level once again with the dipstick.

4. Once the correct level is met, hand tighten the dipstick into the engine body.



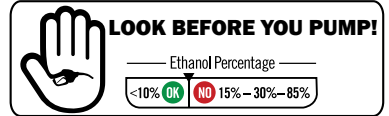
## NOTICE

### LOW OIL SENSOR

The low oil sensor (if equipped) will automatically stop the engine when the oil level falls below the safe limit. To avoid an unexpected shutdown, check the oil level regularly, fill to the upper limit, and always operate engine on a level surface.

## GASOLINE ENGINE

### Fuel

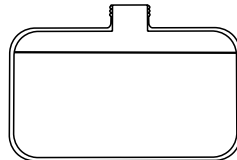


It is imperative to use fresh (less than 30 day old) gasoline with a minimum octane rating of 87 and a maximum ethyl alcohol level of 10%.

Add fuel to the pressure washer by following these steps:

1. Check fuel with the engine off and the pressure washer on a level surface.
2. Remove the fuel cap to verify the fuel level. For the fuel cap location, see the COMPONENTS LOCATION section of this manual.
3. Use clean, fresh, regular unleaded gasoline with a minimum octane rating of 87. Do not mix fuel and oil! Only use fuel with a maximum ethyl alcohol level of 10%. E15, E20 and E85 are not approved fuels. **ENGINE DAMAGE MAY OCCUR BY USING THESE FUELS.**

4. Do not fill the fuel tank above the maximum fuel level to allow room for use expansion.

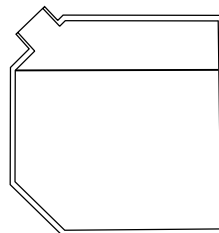


Maximum fuel level

Engine mounted tank

5. Replace the fuel cap. Never run the engine or pressure washer without the fuel cap(s) installed.

**NOTE:** Using a fuel stabilizer (sold separately) when storing gasoline can help to prevent problems related to ethanol alcohol blended gasoline. Always follow the instructions on the bottle and mix thoroughly.



Maximum fuel level

Frame mounted tank



## **WARNING:**

### **REFUELING**

Gasoline is highly flammable and gasoline vapors are extremely explosive. Fire and explosions can cause severe burns and/or death. Keep gasoline away from flames, sparks, and other ignition sources. Refuel outdoors in a well-ventilated area with the engine stopped and cool. Wipe up any spilled gasoline and allow engine to dry before starting. Keep a fire extinguisher handy while refueling. Do not operate engine with leaks in the fuel system. Do not store gasoline near other flammable materials.



## **NOTICE**

### **OLD GASOLINE**

Old gasoline can create deposits that clog fuel systems causing hard starting and poor performance. Damage caused by old fuel is not covered by warranty. To minimize deposits, avoid old fuel related performance issues, and prevent costly repair work, do not use gasoline that is older than 30 days.



## **NOTICE**

### **ALCOHOL BLENDS**

Using gasoline with an alcohol blend greater than 10% (E10) will damage the engine. Damage caused by using an alcohol blend of 15% (E15), 85% (E85), or any other alcohol blend higher than 10% (E10) is not covered under warranty. To avoid engine damage caused by an alcohol blend that is too high, use gasoline with 10% (E10) alcohol or lower.



## **NOTICE**

### **GASOLINE ADDITIVES**

The use of fuel system cleaning additives can damage the engine and fuel systems. Damage caused by the use of fuel system cleaning additives is not covered by warranty. To avoid engine and fuel system damage, do not use any fuel system cleaning additives.



## **NOTICE**

### **GASOLINE STORAGE**

It is important to prevent gum deposits from forming in essential fuel system parts, such as the carburetor, fuel filter, fuel hose or tank during storage. Alcohol-blended fuels attract moisture, which leads to separation and formation of acids during storage. Acidic fuel and gum deposits can damage the engine's fuel system while in storage. Damage caused by the use of old, stale, or contaminated fuel are not covered under warranty.



## NOTICE

### READ THE ENGINE MANUAL

This manual is a guide on how to use the pressure washer and its components. The manual for your engine is the repository for all the information you need for the safe operation and maintenance of the engine. Read and understand the Engine Operator's manual before using the engine.

## DIESEL ENGINE

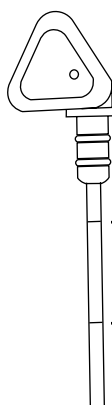
### Oil

Before using the pressure washer, you must fill the engine with the correct type and quantity of lubricating oil. When checking and filling the engine with oil, make sure the pressure washer is sitting on a level surface.

Use the Engine Operator's manual during the following steps:

1. Remove the dipstick from the engine. While the style may differ from the one shown at the right, all will have indication marks to show the correct oil level within the crankcase.

2. The Engine Operator's Manual contains important information as to the weight of oil for your given operating conditions. Typically, SAE 15W-40 or ISO 100 engine oil will suffice for most operating conditions. If you operate in high temperatures or very dirty conditions, consult the Engine Operator's Manual for oil recommendation.



Upper Oil Limit

Lower Oil Limit

3. Fill the crankcase with the correct type and quantity of oil, DO NOT overfill. Place the dipstick into the engine, but do not screw down (where applicable). Remove the dipstick to verify the oil level. If the level is low, carefully add a small quantity of oil then check the level once again with the dipstick.

4. Once the correct level is met, make sure the dipstick is tight within the engine block.



## NOTICE

### LOW OIL SENSOR

The low oil sensor (if equipped) will automatically stop the engine when the oil level falls below the safe limit. To avoid an unexpected shutdown, check the oil level regularly, fill to the upper limit, and always operate engine on a level surface.

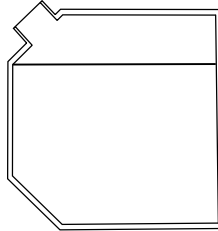


## DIESEL ENGINE

### Fuel

Add fuel to the pressure washer by following these steps:

1. Check fuel with the engine off and the pressure washer on a level surface.
2. Remove the fuel cap to verify the fuel level. For the fuel cap location, see the COMPONENTS LOCATION section of this manual.
3. Use fresh, high-quality #2 diesel fuel for the engine. Fill the tank to a maximum of 1" below the filler neck to allow room for expansion.
4. Replace the fuel cap. Never run the engine or pressure washer without the fuel cap(s) installed.



Maximum fuel level

---

## BATTERY CONNECTIONS (if equipped)

---

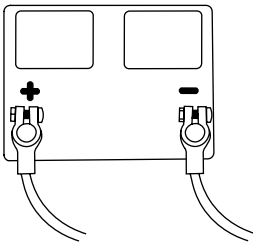


**RISK OF ACID BURNS**

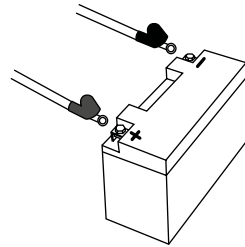
The pressure washer does not come with a battery. You must install a Group 24 -OR- U1 sized battery before using the pressure washer.

See your pressure washer to determine the size required as indicated below.

### Battery style Group 24



### Battery style U1



1. Remove the cover from the battery box (if applicable).
2. Carefully place the battery into the battery box or battery holder.
3. Place the red, positive (+) battery cable onto the positive (+) battery post. Tighten.
4. Place the black, negative (-) battery cable onto the negative (-) battery post. Tighten.
5. Tighten the battery holder or place the cover back onto the battery box.

**WARNING!** Always remove the black, negative (-) battery cable first and always connect the black, negative (-) battery cable last.

# PURGING AIR FROM THE PUMP



**NOTICE**

**PUMP PURGING**

Running a pressure washer pump without water will severely damage the pump seals and other internal components. To avoid this hazard, make sure your water supply is uninterrupted and at least 5 GPM at 20 PSI, and always purge the air from your pressure washer pump before starting the engine.



**WARNING:**

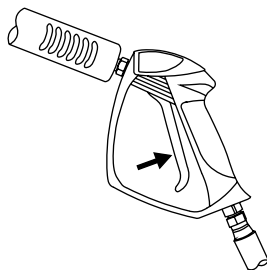
**INJECTION INJURY**

The high pressures created by a pressure washer can cause fluid injection injuries, severe lacerations, amputations and/or death. To avoid these hazards, always aim the spray gun and lance in a safe direction when using the pressure washer and never attempt to touch a leak in a high-pressure hose or fitting.

The pressure washer pump is designed to operate with the water flowing through it. As the water cools the internal components of the pump it also lubricates the seals.

Running the pressure washer pump, no matter for how short of time, without water flowing will severely damage the pump. Damage resulting from running the pump dry is not covered under the warranty. Your pressure washer was a investment in your future, treat it well.

1. Connect the high-pressure hose to both the pressure washer output and the gun. Make sure the hose is uncoiled and not kinked in any way.
2. Connect the garden hose to the water source. Only use cold water for the pressure washer. Turn the water on and allow it to flow for about thirty seconds to remove any debris and trapped air.
3. Turn the water source off. Make sure the water inlet screen is in place and free of debris, then connect the garden hose to the pressure washer input.
4. Once again, turn the water source on. Make sure water is not leaking from any of the joints in the garden hose. If water is leaking, turn the source off, disconnect the hose and replace rubber seals as needed.
5. With the wand pointed away from the pressure washer and any persons, squeeze and hold the trigger until all trapped air is removed from the system. Engage the trigger lock once completed.
6. Once again, make sure none of the hoses or their connections are leaking. NEVER operate the pressure washer with leaking hoses!



# OPERATING CHECKLIST

## Location

Place the pressure washer on a level surface outside in a well-ventilated area before operating. Keep all flammable materials at least five feet away from all sides of the product.

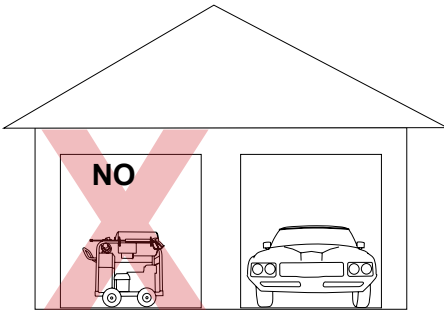
- Never use pressure washer inside a house, garage, or any other kind of enclosure even if doors and windows are open. Run engine outside at least 20 feet (6 meters) away from windows, doors, and vents. Carefully consider wind direction and air currents when using pressure washer outside to avoid breathing in engine exhaust.
- Following the manufacturer's instructions and recommendations, install battery operated carbon monoxide alarms in any occupied buildings near the running engine.
- If you experience headache, nausea, dizziness, sleepiness, or weakness while pressure washer is running, move to fresh air and seek medical attention immediately.



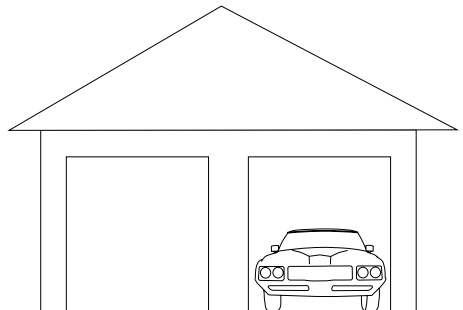
**! WARNING:**

**TOXIC FUMES**

Engine exhaust contains carbon monoxide, an odorless, colorless, poisonous gas. Running an engine indoors will kill you in minutes. Never use this product inside a house, garage, or any other kind of enclosure even if doors and windows are open. Run engine outside at least 20 feet (6 meters) away from windows, doors, and vents. Carefully consider wind direction and air currents when using this product outside to avoid breathing in engine exhaust. Always use a carbon monoxide detector in any occupied buildings near the running engine.



**YES**



## High Altitude Operation (Gasoline engine only)

This engine will have proper engine performance and emission control when it is operated at or below an altitude of 5000 feet (1524 meters). This engine requires a high-altitude carburetor kit to ensure proper engine performance and emission control when operated at altitudes above 5000 feet (1524 meters). Operating the machine with the wrong engine configuration above 5000 feet (1524 meters) may increase its emissions, decrease fuel efficiency, and hurt performance. To obtain a high altitude carburetor kit, contact your nearest authorized service center.



**NOTICE**

**ALTITUDE**

Operating the engine with a high-altitude carburetor jet kit at an altitude below 5000 feet (1524 meters) will cause the engine to run too hot. Overheating the engine could result in serious engine damage. To avoid this hazard, make sure the correct carburetor kit is installed and the air/fuel mixture is set correctly for your altitude.

## Operating Conditions

Before each use, check for loose or damaged parts, leaks, and/or any other condition that may affect proper operation. Repair or replace all damaged and/or defective parts immediately. Always keep all safety guards in place and in proper working order. For safety reasons, the manufacturer recommends all maintenance and repairs be performed by an authorized service center.

Before starting engine, remove any excessive dirt and debris from cooling vents, exhaust, and starter recoil areas. Always operate the pressure washer on a level surface and never move or tip the pressure washer while operating. Use pressure washer only for its intended purpose. If you have questions about the proper use of your pressure washer, please contact customer support at 1-877-362-4271 or [cservice@fna-group.com](mailto:cservice@fna-group.com).



**! WARNING:**

**UNTRAINED OPERATION**

Untrained adults and children can be seriously injured or killed if allowed to incorrectly operate or play with running pressure washer. To avoid these hazards, be sure anyone operating the pressure washer receives proper instructions, understands safe operation, and has read the owner's manual before operating this product. Do not let children operate the pressure washer without parental supervision. Keep children and pets away from the pressure washer while it is running. Always turn off the pressure washer before leaving the area.



**! WARNING:**

**INSPECT BEFORE OPERATING**

Failure to inspect this product before use could create a hazardous situation resulting in product damage, serious injury, and/or death. To avoid these hazards, inspect the pressure washer before each use. Check for loose or damaged parts, signs of oil or fuel leaks, missing guards, plugged cooling vents, or any other condition that may affect proper operation. Repair or replace all damaged or defective parts and keep all safety guards in place and in proper working order before using the pressure washer.

**! WARNING:****INJECTION INJURY**

The high pressures created by a pressure washer can cause fluid injection injuries, severe lacerations, amputations, and / or death. To avoid these hazards, always aim the spray gun and lance in a safe direction when using the pressure washer and never attempt to touch a leak in a high-pressure hose or fitting.

**! CAUTION:****HOT SURFACES**

A running engine produces heat. The surfaces of the engine, other related components, and engine exhaust gas get hot enough to cause mild moderate burns or ignite materials on contact. To avoid burns, do not touch engine surfaces or exhaust gases while operating and allow engine to cool completely before moving, touching, or performing any maintenance. To avoid a fire, keep all flammable materials at least five feet away from all sides of the product.

**! WARNING:****MOVING PARTS**

This product has many parts that move at high speeds. Moving parts can cause crushing injuries, broken bones, severe lacerations, and/or traumatic amputations. To prevent injury, never place fingers, hands, feet, or other body parts near running engine. Never operate product with covers, shrouds, or other guards removed. Do not wear loose-fitting clothing, dangling drawstrings, or any other hanging items that could become entangled in moving parts while operating. Tie up long hair and remove jewelry before operating.

**! WARNING:****RAPID RETRACTION**

Rapid retraction (also known as kickback) of the engine recoil starter cord will pull your hand and arm towards the engine faster than you can let go of the handle resulting in sprains, broken bones, lacerations, and/or traumatic amputations. Kickback is often caused by internal engine failure, and/or improper starting techniques. To avoid kickback follow the appropriate maintenance schedule, starting instructions and have repair work done by an authorized service center.

# STARTING THE ENGINE



## **! WARNING:**

### **OPERATING CHECKLIST**

Attempting to start the engine incorrectly or using the pressure washer incorrectly can result in engine and/or pressure washer damage, and may cause serious injury or death. To avoid these hazards, be sure to read, understand, and follow the steps outlined in the OPERATING CHECKLIST section of the owner's manual before starting the engine, and follow all the guidelines for proper use of the pressure washer.



## **NOTICE**

### **PUMP DAMAGE**

Running the pressure washer for more than two minutes without the spray gun trigger pulled will overheat the pump and possibly cause damage. The thermal relief valve will open and spray water to help cool the pump as it overheats. To avoid overheating the pump, shut off the machine if not being used for longer than two minutes.

**NOTE:** Allow engine to warm for 1-2 minutes before using the product.

## **Starting the Engine** (Gasoline engine - Electric start)

1. Completely read and understand the Engine Owner's Manual you received along with this manual.
2. Complete the steps in the OPERATING CHECKLIST, CONNECTING HOSES and PURGING AIR FROM THE PUMP sections of this manual before starting the engine.
3. For a COLD engine, set the choke to "CHOKE" -or- "CLOSED".
4. Set the throttle to "FAST" (if equipped).
5. Turn the fuel valve to "ON" -or- "OPEN" (if equipped).
6. Turn the key past "ON" to "START" and hold for no longer than five seconds. If the engine does not start within five seconds, release the key and wait one minute before trying again. **WARNING:** Allowing the starter to constantly crank will damage the starter! If the engine does not start after two attempts, refer to the TROUBLESHOOTING section for help.
7. Once the engine has started, move the choke to "OPEN" -or- "RUN".

## **Starting the Engine** (Gasoline engine - Recoil start)

1. Complete steps 1 through 5, from above.
2. Grasp the recoil handle and slowly pull until resistance is felt. Pull swiftly to start the engine. If the engine does not start after two pulls, squeeze the gun trigger to release stored pressure.
3. Once the engine has started, move the choke to "OPEN" -or- "RUN".

## Starting the Engine (Diesel)

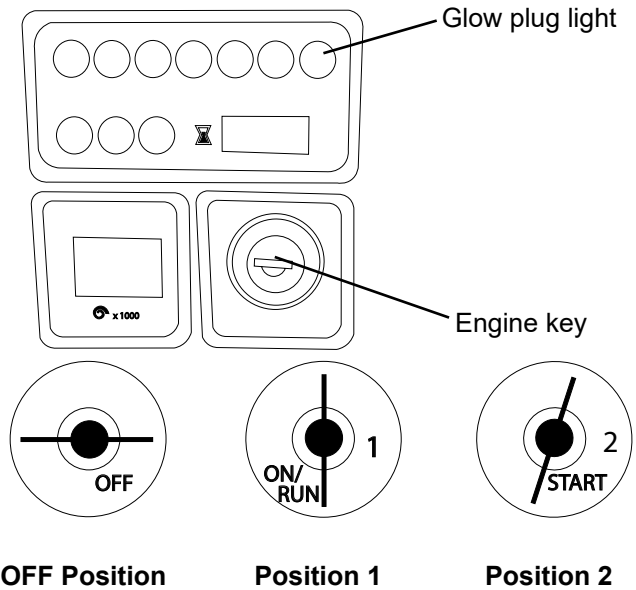


# NOTICE

## PUMP DAMAGE

Running the pressure washer for more than two minutes without the spray gun trigger pulled will overheat the pump and possibly cause damage. The thermal relief valve will open and spray water to help cool the pump as it overheats. To avoid overheating the pump, shut off the machine if not being used for longer than two minutes.

1. Completely read and understand the Engine Owner's Manual you received along with this manual.
2. Complete the steps in the OPERATING CHECKLIST, CONNECTING HOSES and PURGING AIR FROM THE PUMP sections of this manual before starting the engine.



3. Turn the engine key to the 1st position.
4. Wait for the orange Glow Plug light to turn off.
5. Turn the key to the 2nd position to start the engine. Once the engine has started, allow the key to return to the 1st position.

**WARNING:** Allowing the starter to constantly crank will damage the starter! After a maximum of 20 seconds cranking, allow the starter to cool one minute before trying again. If the engine does not start after two attempts, refer to the TROUBLESHOOTING section for help.

## STARTING AN ELECTRIC DRIVEN PRESSURE WASHER



### **NOTICE**

#### **PUMP DAMAGE**

Running the pressure washer for more than two minutes without the spray gun trigger pulled will overheat the pump and possibly cause damage. The thermal relief valve will open and spray water to help cool the pump as it overheats. To avoid overheating the pump, shut off the machine if not being used for longer than two minutes.

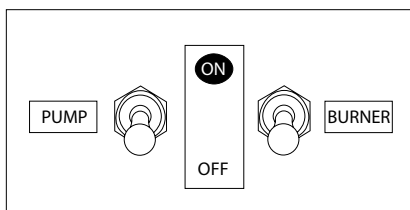


### **WARNING:**

#### **ELECTRICAL GROUNDING**

Improper connection of the equipment grounding conductor can result in the risk of electrocution. If in doubt of proper grounding, have a licensed electrician verify the installation of the receptacle. Do not modify the plug provided with the product if it will not fit the receptacle installed. Do not use any type of adapter with this product.

1. Complete the steps in the OPERATING CHECKLIST, CONNECTING HOSES and PURGING AIR FROM THE PUMP sections of this manual before turning on the motor.
2. Verify the PUMP ON/OFF switch is in the "OFF" position.



3. Plug the power supply cord into a grounded, three prong receptacle. **DO NOT** use an extension cord. If the power supply cord will not reach, move the pressure washer closer to the receptacle.



### **DANGER:**

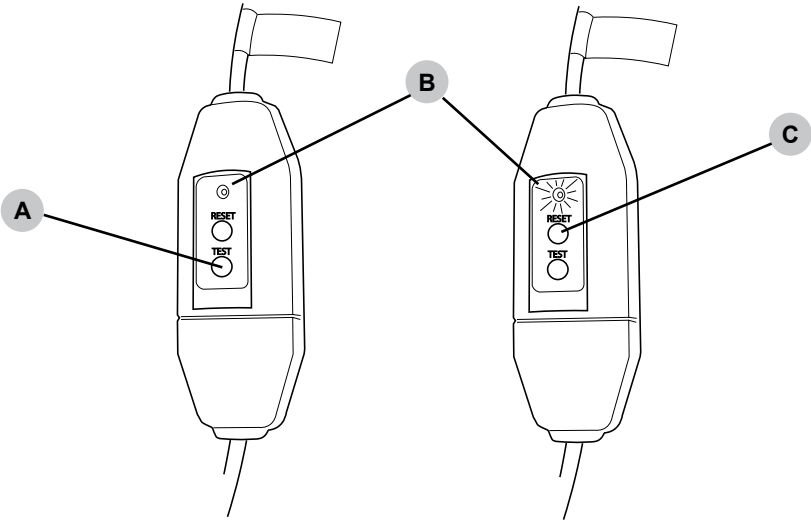
#### **ELECTROCUTION HAZARD**

Use of an extension cord could cause shock or burn resulting in death or serious injury. **DO NOT** use an extension with this electric pressure washer. Your home's electrical circuit receptacle or extension cord may not provide lifesaving ground fault circuit interrupting protection.

4. Test the ground fault circuit interrupter (GFCI) (if equipped).



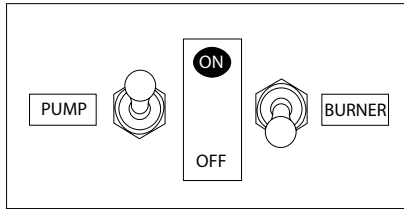
5. Press the TEST button (A). The indicator light (B) should now be dark (OFF).



6. Press the RESET button (C). The indicator light (B) will now be illuminated (ON).

**CAUTION** - DO NOT use the pressure washer if the above test fails.

7. Flip the PUMP switch to ON. The pressure washer is now ready to be used.



# HOT WATER OPERATION



**WARNING:**

**RISK OF BURNS**

The surfaces around the burner exhaust and the discharged exhaust are VERY HOT. Keep away from this area. DO NOT allow the hoses to contact the burner exhaust in anyway. DO NOT allow children to operate or be in the vicinity of the pressure washer at any time.



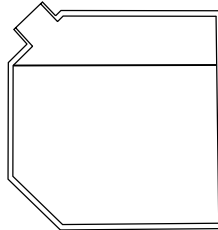
**WARNING:**

**RISK OF EXPLOSION**

The burner will shutoff every time you release the trigger. DO NOT use the pressure washer if the burner fails to shut off when the trigger is released.

## FILLING THE BURNER FUEL TANK

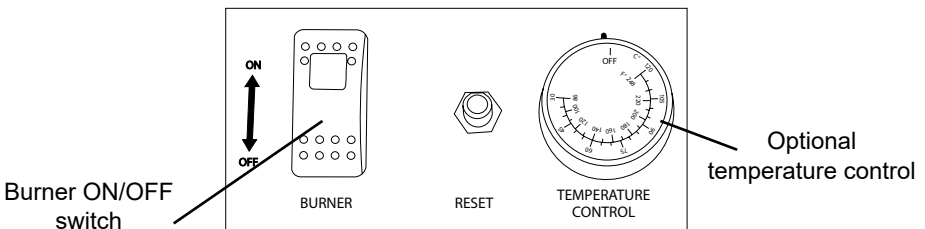
1. Check fuel with the engine off and the pressure washer on a level surface.
2. Remove the fuel cap to verify the fuel level. For the fuel cap location, see the COMPONENTS LOCATION section of this manual.
3. Use fresh, high-quality #2 diesel fuel for the burner. Fill the tank to a maximum of 1" below the filler neck to allow room for expansion.
4. Replace the fuel cap. Never run the engine or pressure washer without the fuel cap(s) installed.



Maximum fuel level

## STARTING THE BURNER

1. Complete the steps in the OPERATING CHECKLIST, CONNECTING HOSES and PURGING AIR FROM THE PUMP sections of this manual before turning on the motor.
2. Start the engine as outlined in STARTING THE ENGINE section of this manual.
3. Place the burner ON/OFF switch in the ON position.
4. (If equipped) Turn the thermostat to the desired temperature.



# SHUTTING DOWN THE SYSTEM



## **NOTICE**

### **PUMP DAMAGE**

Turning off the water supply to your pump with the engine running will damage the pump. Damage caused by running the pump without water is not covered under warranty. To avoid this hazard always turn off the engine before shutting off the water supply.



## **NOTICE**

### **CHEMICAL CLEANERS**

Using chemical cleaners and/or corrosive liquids can damage the pressure washer seals and internal components. Damage caused by chemical cleaners and corrosive liquids is not covered under warranty. To avoid these hazard, only use approved cleaning chemicals, never use bleach, and always run clean water through the pressure washer after using cleaning chemicals.

1. Turn the burner control switch to OFF.
2. Squeeze the trigger and allow the water to flow until the spray wand becomes cool to the touch, minimum of two minutes.
3. If you used soap or detergent, place the siphon hose into a bucket of clean water. With the black nozzle attached to the wand, squeeze the trigger and allow water to flow until all signs of soap are gone.
4. Set the trigger lock.
5. If your unit is electric powered, turn the pump ON/OFF switch to OFF.
6. For a gasoline or diesel engine, move the throttle to slow (if equipped). Turn the key or engine switch to OFF.
7. Turn the fuel valve to OFF or CLOSED (if equipped).
8. Turn the water source off.
9. Squeeze the trigger to release any stored pressure from the hose.
10. Disconnect the garden from both the source hose bibb and the pump inlet.
11. Disconnect the high-pressure hose from the pressure washer outlet. Drain the hose then carefully coil.
12. Refer to the STORAGE section for proper short or long-term storage instructions.

# OPERATION TIPS

---

---

## PREPARATION

- Read all warnings and instructions in this and all other manuals that may have come with the pressure washer.
- Remove all toys, bicycles, lawn furniture, etc. from the work area.
- Sweep any loose dirt and debris from the surface you will be pressure washing.
- Cover nearby plants to protect them from over spray and detergent.
- Only use the white, 40° nozzle when washing windows or painted items like automobiles. Always start far away and move closer with care.
- If you are using the pressure washer to prepare siding for painting and the existing paint may be from before 1977, lay down tarps to collect the paint chips. They may contain lead and need to be disposed of at a proper disposal facility.
- Use only detergents or soaps that are approved for pressure washer use.

## PRESSURE WASHING

- A wider spray equals faster cleaning, while a tighter spray equals deeper cleaning.
- Do not aim the nozzle straight at a surface. Hold the wand at a 45° angle to the surface at a distance that cleans well without causing damage.
- Keep the nozzle about four feet away from siding to prevent damage to the surface.
- Start washing at the bottom, move your way upward then rinse from the top down.
- Avoid driving water behind siding, trim and into window frames.
- When using soap, work on smaller areas and do not let the soap dry.

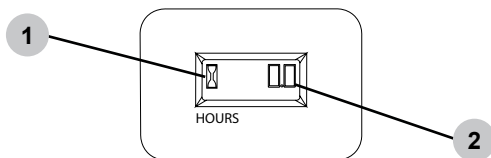
## HOUR METER (If equipped)

---

---

The hour meter keeps track of the time the pressure washer is running. The hour glass icon flashes when the engine is running to signify the meter is tracking the hours of operation. The digital time display shows the recorded hours of operation. Use this information for preventative maintenance intervals.

For hour meter location see the COMPONENT LOCATION section of this manual.



1. Hour glass icon
2. Digital time display

# MAINTENANCE

---

---

Your pressure washer has been produced with the highest quality materials and craftsmanship. As the owner, you have certain responsibilities for the correct care of the equipment. Attention to regular preventative maintenance procedures will assist in preserving the performance of the equipment.

Contact your local authorized service center for maintenance. A small investment in preventative maintenance will add many hours to the life of the pressure washer. Perform maintenance more often under severe operating conditions. Do not spray high-pressure water onto the machine at any time.

For safety reasons, the manufacturer recommends all pressure washer service and repairs be performed by an authorized service center. All warranty repairs and replacements must be performed by an authorized distributor or service center.

To find an authorized service center near you, make a warranty claim or get authorized warranty repairs, call 1-877-362-4271 or email us at [cservice@fna-group.com](mailto:cservice@fna-group.com)

It is the responsibility of the owner and/or operator to have all scheduled maintenance completed before operating the pressure washer. Be sure to follow the inspection and maintenance recommendations as listed in all the manuals that came with this unit.

## CLEANING THE PRESSURE WASHER

Always clean the pressure washer with the engine off and cool. To clean the pressure washer, first use compressed air at or below 20 PSI to clear dirt and debris from the pressure washer surface, vents and cooling slots. Next, wipe the exterior surface with a damp cloth.

## PREWORK INSPECTION

Before each use, check the pressure washer for leaks, loose or damaged parts and any other condition that may affect proper, safe operation. Be sure all the safety guards are in place and in proper working order. Inspect all cooling slots to ensure they are clean and unobstructed.

Repair and replace all damaged or defective parts immediately. For safety reasons, the manufacturer recommends all pressure washer service and repairs be performed by an authorized service center.

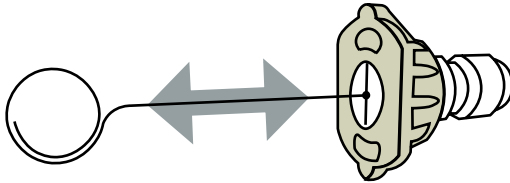
## CONNECTIONS

Hose, spray gun and pump connections should be cleaned and lubricated with a thin film of lithium grease regularly to prevent O-ring damage and leaks.

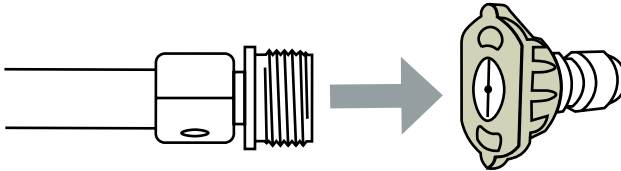
## Nozzle Cleaning

If a nozzle becomes clogged, the pump may pulsate and spray patterns could change. If the nozzle is not cleaned, excessive pressure may develop possibly damaging the pump, or other accessories. Inspect nozzles before using them and follow the instructions in this section for the proper nozzle cleaning procedure.

1. Shut off the pressure washer.
2. Turn off the water supply.
3. Point the spray gun in a safe direction and squeeze the trigger to relieve water pressure.
4. Set the trigger lock.
5. Remove the nozzle from the lance quick connector.
6. Clear any obstructions from the nozzle by inserting the nozzle cleaning tool provided.



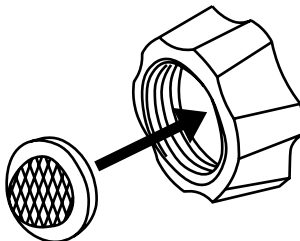
7. Rinse any loose debris from the nozzle by directing a running garden hose into the output of the nozzle for at least 30 seconds.



## Water Inlet Filter

Before each use, check the inlet filter and clean by following the steps below. Never operate the pressure washer without the inlet filter properly installed.

1. Remove the filter from the garden hose coupler.
2. Use water from a running garden hose to clean both sides of the filter.
3. Insert the cleaned filter into the pump inlet with the convex side facing out.



## ENGINE MAINTENANCE

Before each use, check the engine for loose or damaged parts, signs of oil or fuel leaks and/or any condition that may affect proper, safe operation. Always keep all guarding in place and proper working order. Repair or replace defective parts immediately.

For safety reasons, the manufacturer recommends all engine service and repairs (including emission control devices and systems) to be performed only by an authorized service center. All warranty work and replacements must be performed by an authorized service center.

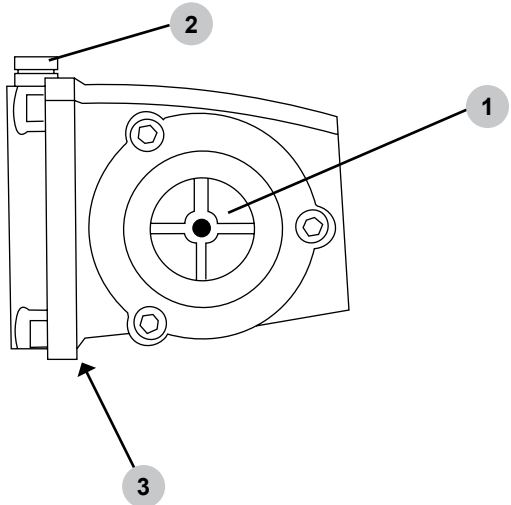
For all other information on engine maintenance, refer to the engine manual.

## PUMP MAINTENANCE

The pump was filled with oil at the factory. Refer to the MAINTENANCE SCHEDULE CHART for proper service intervals and oil type.

**Note:** Your pump may vary from the one illustrated.

1. Oil sight glass
2. Oil fill plug
3. Oil drain plug (not shown)



## How to change the pump oil

1. Loosen the pump oil fill plug.
2. Place a container under the oil drain plug.
3. Remove the oil drain plug.
4. After the oil has drained, insert the oil drain plug; tighten securely.
5. Refer to MAINTENANCE SCHEDULE CHART for the proper oil type for your pump.
6. Make sure the oil level meets but does not exceed the dot in the center of the sightglass.
7. Insert the oil fill plug; tighten securely.

## MAINTENANCE SCHEDULE CHART

**NOTICE:** Not all maintenance items listed below apply to all models.

Engine Oil	Inspect	Daily
	Change	After the first 10 hours, then every 50 hours especially in high ambient temperature
	Filter	Every 100 hours
Air Cleaner	Inspect	Every 25 hours
	Clean	Every three months
Diesel engine coolant	Check daily	(Maximum 50% antifreeze)
Battery level	Check monthly	Replace every 2 years
Engine Fuel Filter	500 hours or 6 months	
Spark Plug Maintenance	500 hours or 6 months	
Clean Fuel Tank(s)	Annually	
Replace Fuel Lines	Annually	
Pump Oil	Inspect	Daily
	Change	First 25 hours, then every 3 months or 150 hours
Replace Burner Fuel Filter	Every 6 months	(More often if fuel quality is poor)
Remove Burner Soot	Annually	
Burner Adjustment / Cleaning	Annually	
De-scale Heating Coil	Annually	(More often if required)
Replace spray Nozzle	Every 6 months	
Replace Quick Connectors	Annually	(More often if required)
Clean water inlet filter	Weekly	
Replace high-pressure hose	Annually	(More often if required)
Tires / wheel bearings	Monthly	
Belts	Tighten	Every 6 months
	Inspect / Replace	Annually
Description	Oil Type	Capacity <sup>(5)</sup>
Gasoline Engine	SAE 10W 30 motor oil <sup>(4)</sup>	.63 to 3qt
Diesel Engine	SAE 15W 40 or ISO 100 <sup>(4)</sup>	1.7 - 3.3qt
Pump, AAA	SIMPSON PUMP OIL or SAE 15W 40	11 - 42oz
Pump, CAT <sup>(1)</sup>	ISO 68 Hydraulic Oil	11 - 42oz
Pump, COMET <sup>(2)</sup>	SAE 15W 40 or ISO 100	11 - 42oz
Pump, General <sup>(3)</sup>	SAE 15W 40 or ISO 100	11 - 42oz
<p><sup>(1)</sup> CAT Pumps® is a registered trademark of Diversified Dynamics Corporation.</p> <p><sup>(2)</sup> COMET Pumps® is a registered trademark</p> <p><sup>(3)</sup> General Pumps® is a registered trademark of Interpump Group S.p.A.</p> <p><sup>(4)</sup> Refer to the engine manual for proper weight per operating condition.</p> <p><sup>(5)</sup> Refer to the manual for the proper amount.</p>		



# STORAGE AND TRANSPORTATION

---

---

## STORING FOR TWO MONTHS OR LESS (GASOLINE)

1. Fill fuel tank per the ENGINE PREPARATION section of this manual then add a fuel stabilizer per the manufacture's recommendations. NOTE: Using a gasoline fuel stabilizer (sold separately) when storing gasoline may help prevent problems related to alcohol blended fuels in outdoor power equipment engines. Always follow the instructions provided by the fuel manufacturer to mix and use correctly.
2. Complete the steps in the OPERATING CHECKLIST, CONNECTING HOSES and PRIMING THE PUMP sections of this manual.
3. With the water running, start the engine per the STARTING section of this manual and allow it to run for ten minutes. This will allow the stabilized fuel to circulate the entire fuel system. Be sure to squeeze the trigger to keep water flowing through the pump and spray gun to avoid overheating.
4. Turn the key or engine switch to OFF.
5. Squeeze the spray gun trigger to relieve stored pressure. Drain the spray wand and the high-pressure hose. Carefully coil the high-pressure hose.
6. Allow the engine to cool completely.
7. Protect the pump by using SIMPSON Pump Guard per the USING PUMP GUARD section of this manual.
8. Store the pressure washer in a clean, dry area out of direct sunlight.

## STORING FOR TWO MONTHS OR LESS (DIESEL)

Follows steps 1 - 8 from above by using a diesel fuel stabilizer.

## STORING FOR TWO MONTHS OR LESS (ELECTRIC POWERED)

1. Squeeze the spray gun trigger to relieve stored pressure. Drain the spray wand and the high-pressure hose. Careful coil the high-pressure hose.
2. Protect the pump by using SIMPSON Pump Guard per the USING SIMPSON PUMP GUARD section of this manual.
3. Store the pressure washer in a clean, dry area out of direct sunlight.

## **STORING FOR TWO MONTHS OR MORE (GASOLINE)**

1. Allow the engine to cool and squeeze the spray gun trigger to relieve stored pressure.
2. Remove all fuel from the fuel tank, fuel lines and carburetor by loosening the drain screw at the bottom of the carburetor. Drain the fuel into an appropriate container.
3. Change the engine oil per the Engine Owner's Manual
4. Remove any dirt and debris from the area around the spark plug(s). Using a spark plug socket & wrench, remove the spark plug(s).
5. Pour 0.5 ounces (15ml) of new oil into the engine combustion chamber(s). Turn the starter key to START for two seconds -or- slowly pull the recoil cord twice to lubricate and protect the cylinder(s).
6. Reinstall the spark plug(s) by hand then tighten with a socket wrench to the correct torque per the Engine Owner's Manual.
7. Disconnect the black, negative (-) battery lead from the battery.
8. Disconnect the red, positive (+) battery lead from the battery.
9. If the pressure washer will be kept in a cold location, move the battery to a warm location for long term storage -or- use an electronic battery maintainer to keep the battery warm and charged during the cold storage.
10. Drain the spray wand and the high-pressure hose. Carefully coil the high-pressure hose.
11. Protect the pump by using SIMPSON Pump Guard per the USING SIMPSON PUMP GUARD section of this manual.
12. Store the pressure washer in a clean, dry area out of direct sunlight.

## **STORING FOR TWO MONTHS OR MORE (DIESEL)**

1. Follows steps 1 - 7 from STORING FOR TWO MONTHS OR LESS (GASOLINE) by using a diesel winter treatment stabilizer. This will keep the diesel from gelling in subfreezing weather.
2. Disconnect the black, negative (-) battery lead from the battery.
3. Disconnect the red, positive (+) battery lead from the battery.
4. If the pressure washer will be kept in a cold location, move the battery to a warm location for long term storage -or- use an electronic battery maintainer to keep the battery warm and charged during the cold storage.
5. Store the pressure washer in a clean, dry area out of direct sunlight.

## **STORING FOR TWO MONTHS OR MORE (ELECTRIC POWERED)**

Follow the same steps as STORING FOR TWO MONTHS OR LESS (ELECTRIC POWERED)

## TRANSPORTATION



**WARNING:**

**TRANSPORTATION**

Leaving the pressure washer in an enclosed space where temperatures can rise on a transport vehicle may cause fuel to vaporize and possibly explode. Fire and explosions can cause severe burns and/or death. To avoid leaking or vaporizing fuel, secure the pressure washer in a well ventilated area out of direct sunlight and other heat sources and do not transport the pressure washer on rough roads unless the fuel has been drained beforehand.

1. Turn the engine control switch to the OFF position.
2. To prevent fuel spillage when transporting, make sure the fuel cap(s) are tight and the pressure washer is kept upright on a level surface.
3. Secure the pressure washer with straps or tie downs rated for twice the weight of the pressure washer to keep it from tipping over or sliding.

**CAUTION:** Never operate the pressure washer while it is on the transport vehicle.

# USING SIMPSON® PUMP GUARD



## **NOTICE**

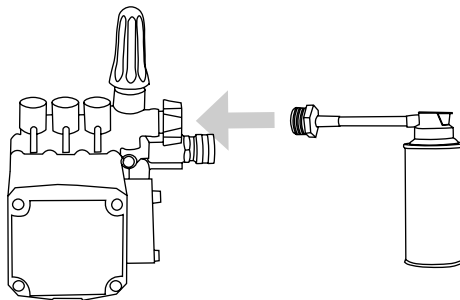
### **PUMP DAMAGE**

Leaving water inside the pump during freezing weather will cause severe damage to the pump. To avoid costly damage, always treat the pump with SIMPSON® Pump Guard to remove the trapped water and to fill the pump with a lubricating, antifreeze solution.

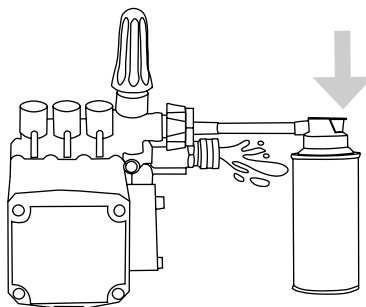
SIMPSON® Pump Guard (purchase separately) is formulated to protect your pump from freezing damage while lubricating the internal seals. Pump Guard should be used throughout the season to keep the seals pliable and well lubricated. Before storing the unit for winter or for when there is a chance of freezing weather, use pump guard to remove all traces of water from the internal cavities while filling them with an antifreeze solution.

Simply use Pump Guard by following these easy steps:

1. Screw the Pump Guard adapter into the garden hose input on the pump.



2. Press and hold down on the button until all the water and the Pump Guard starts to come out of the high pressure port.



3. Unscrew the Pump Guard from the pump then prepare the pressure washer for storage as outlined in STORAGE AND TRANSPORTATION.

# TROUBLESHOOTING

**NOTE:** Probable causes are listed with the most likely cause first. Repairs should be made by qualified service technicians only.

## POWER SYSTEM: GASOLINE OR DIESEL DRIVEN

Problem	Probable Cause	Remedy
<b>Engine will not start or crank over.</b> (See <b>Engine Owner's Manual</b> for further engine troubleshooting)	Battery dead (if equipped)	Charge or replace battery, add electrolyte if battery is new
	Dirty battery contacts	Clean contacts
	Battery cables disconnected	Connect or replace damaged cables
	Engine, pump or gearbox is seized	Identify, replace or repair seized part
	Key switch, solenoid or starter on engine defective	Repair or replace faulty component
	Pump is seized	Replace pump or bearing
<b>Engine will not start but will crank over.</b> (See <b>Engine Owner's Manual</b> for further engine troubleshooting)	Engine power switch is off or defective	Check engine power switch
	Low oil shutdown is activated (if equipped)	Add oil to engine, check more frequently
	Low on fuel	Fill with the appropriate fuel, bleed injector pump on diesel engines
	Fuel filter is clogged	Replace or clean fuel filter, bleed injector pump on diesel engines
	Engine flooded or starved	Gasoline engines only - Choke only as required
	Old or dirty fuel	Drain and replace with fresh, clean fuel
<b>Engine bogs down under load, whenever spray gun is triggered</b> (See <b>Engine Owner's Manual</b> for further engine troubleshooting)	Engine needs to be repaired	Seek certified service
	Operating in high elevation	Lower the pressure on the unit and check for correct engine speed (RPM)
	Incorrect nozzle in lance	Replace with correct nozzle size
	Unloader valve improperly adjusted	Adjust unloader valve

**POWER SYSTEM: ELECTRIC DRIVEN**

<b>Problem</b>	<b>Probable Cause</b>	<b>Remedy</b>
<b>Electric motor does not start</b>	No electric power	Check cord, plug, socket, GFCI and breaker
	Thermal overload in the motor or starter has been tripped	Reset manual overload by depressing the thermal switch on the outside of the motor after the motor has cooled. <b>CAUTION:</b> Automatic overload will restart the motor automatically once the motor has cooled.
	Power switch inoperative	Check power switch
	Electric motor or wiring failure	Replace or repair motor and/or wiring
	No water pressure at inlet	Connect to appropriate water supply
<b>Machine will not auto start (if equipped)</b>	Must have adequate water supply	Check for correct pressure and gallonage
	Coil scale buildup	Descale coil for better water flow
	Check filter screen and inlet pressure	Pull trigger gun to check auto-start function
	Pressure switch on unloader is faulty	Replace
	Timer is faulty	Remove leads from timer at control end, see if machine shuts off after time out, replace if defective

**PUMPING SYSTEM**

<b>Problem</b>	<b>Probable Cause</b>	<b>Remedy</b>
<b>Trigger gun leaks or will not shut off</b>	Debris in gun valve assembly	Clean valve assembly or replace gun
<b>Pump runs but there is no spray pressure</b>	Water turned off	Turn water on
	Nozzle is plugged	Clean or replace with proper size nozzle
	Chemical injection valve is open / hose not in solution	Close soap valve or submerge detergent siphon tube into solution
	Hot water coil obstructed	Remove obstruction or descale the coil
	Pump dry, needs to be primed	Open fitting on high pressure pump until water flows

**PUMPING SYSTEM**

<b>Problem</b>	<b>Probable Cause</b>	<b>Remedy</b>
<b>Pump runs but has low spray pressure</b>	Nozzle not installed	Install proper sized nozzle
	Dual wand valve is open	Dual wand valve must be closed and high pressure nozzle installed
	Leaky discharge hose or quick connect connector	Replace hose or connector
	Inlet strainer clogged	Clean and check more frequently
	Worn or wrong sized nozzle	Replace with proper size nozzle
	Belt slippage	Tighten or replace worn belt
	Unloader valve worn or improperly adjusted	Install pressure gauge on pump head to adjust pressure. Check valve seat on Unloader Valve
	Air leak in inlet plumbing	Reseal fittings and inspect inlet hoses for air leaks
<b>Pump runs but there is erratic, fluctuating pressure</b>	Inadequate incoming water supply	Increase water supply flow
	Stuck inlet or discharge valves	Clean out or replace worn valves
	Restricted inlet or air entering the inlet plumbing on the pump	Check fittings and hose for air tight seal, clean inlet strainer screen
	Leaking high-pressure seals	Replace seals
	Leaking low-pressure seals	Pressure feed the pump and replace low-pressure seals if water leaks from pump
<b>Excessive crankshaft play or loud, knocking noise in pump</b>	Broken or worn bearing or connecting rod in crankcase	Replace pump or bearing or connecting rod
<b>Oil leaking from pump</b>	Loose drain plug or damaged seal	Locate point of oil leakage and replace damaged O-ring or seal
	Leaking crankshaft oil seal	Replace seals
	Leaking oil sight glass seal	Replace seals
	Leaking piston oil seal	Replace seals. Install correct pump oil
<b>Water is emitted from chemical siphon tube</b>	Check valve malfunctioning	Repair or replace check valve

Problem	Probable Cause	Remedy
<b>Inlet injection will not siphon detergent</b>	Strainer clogged	Clean or replace. Rinse after each use.
	Detergent valve not open or clogged	Open valve then clean. Replace if necessary
	Strainer not submerged in solution	Submerge strainer, replenish chemical if needed
	Detergent hose cut or kinked	Inspect hose, replace if necessary
<b>Downstream injector will not siphon detergent</b>	Adjustable knob on injector is closed (if equipped)	Open by turning counter clockwise
	Unit not in low pressure mode	Open dual wand (if equipped) or install soap nozzle
	Detergent hose cut or kinked	Inspect hose, replace as required
	Detergent strainer plugged or not submerged	Check screen on strainer pickup tube
	Internal injector parts corroded or stuck	Disassemble, clean or replace
Outlet water temperature is too high	Use with cold water only (150° maximum)	
<b>Pressure relief valve releasing water</b>	Unloader failure / coil overheating / Excessive system pressure	Turn machine off for ten minutes then restart. If problem persists, take unit to an authorized service center for diagnosis.

#### HEATING BURNER SYSTEM: DIESEL FIRED

Problem	Probable Cause	Remedy
<b>Burner will not fire</b> <i>Warning: High voltage on igniter can cause electrical shock. Disconnect power before servicing.</i>	Burner switch not set to ON	Turn switch to ON; thermostat ON (if equipped)
	Diesel fuel level low	Fill burner tank with #2 diesel or other approved fuel
	Trigger on spray gun not pulled	Squeeze trigger to fire burner
	Fuel filter plugged	Clean and/or tighten fuel filter (Check fuel pressure)
	Spray nozzle plugged	Clean spray nozzle
	Overload on burner motor tripped	Reset overload, locate and correct source of overload
	Nozzle not in wand	Install nozzle in wand
	Low water pump pressure	See pumping system troubleshooting
	Burner relay faulty (12 volt burner only)	Replace burner relay



<b>Problem</b>	<b>Probable Cause</b>	<b>Remedy</b>
<b>Burner will not fire cont.</b> <i>Warning: High voltage on igniter can cause electrical shock. Disconnect power before servicing.</i>	Fuel pump or nozzle stopped	Check fuel pressure, filter, fuel lines. Replace fuel pump and/or nozzle
	Vacuum, flow, pressure or temperature switch faulty	Check electrical continuity with pump spraying and burner ON
	Fuel solenoid valve faulty	Replace fuel valve if it does not open when power is applied
	Low generator voltage output	Adjust generator RPM for proper voltage under full load conditions
<b>Burner will not fire, plus diesel fumes are emitted from the exhaust port</b> <i>Warning: Replace insulation. Unburned fuel can saturate it and cause a fire.</i>	Fuel to air ratio out of adjustment	Set air band and fuel pressure to specifications
	Fuel nozzle partially clogged	Replace nozzle with one of proper size
	Ignition transformer not providing spark to fuel	Replace ignition transformer, clean and adjust electrodes
<b>Burner fires and smokes</b>	Fuel to air ratio out of adjustment	Set air band and fuel pressure to specifications
	Excessive soot on the coils	Clean soot to improve air flow
	Improper voltage at burner	Adjust RPM of generator (if equipped)
<b>Discharge water temperature exceeds recommended operating temperature</b>	Burner input too high for conditions	Decrease fuel pump pressure and/or nozzle size
	Water flow restricted	Clean or replace nozzle of proper size. Descale coil and clear obstructions
	High temperature limit switch faulty or set too high	Reset or replace temperature limit switch
<b>Burner continues to fire even when trigger on spray gun is released</b>	Faulty flow, pressure or vacuum switch	Replace defective switch(es)
	Faulty fuel solenoid	Replace solenoid
<b>Discharge water temperature not reaching maximum operating temperature</b>	Burner input too low for conditions	Increase fuel pump pressure and/or nozzle size

<b>Problem</b>	<b>Probable Cause</b>	<b>Remedy</b>
<b>Battery keeps losing voltage (For 12 volt burner systems)</b>	Battery voltage low	Have battery load checked and load tested, charge if low and replace if necessary. Allow water to cool 2 minutes before shutting off engine
	RPM too low	Engine RPM should be 3600 RPM with no load
	Engine charging system is faulty	Check engine charging system - Must have 16 ampere output minimum
	Electrodes misadjusted	Adjust electrodes to maximum 1/8" gap
	Fuel pump pressure too high	Fuel pump pressure should be approximately 100 to 140 PSI
	Air band open too far	Adjust for proper burn
	Burner amp draw too high	Check amp draw of burner motor - should be 13 amperes or less. Check amp draw of transformer, should be 4.2 amperes or less

#### **HEATING BURNER SYSTEM: NATURAL GAS OR LIQUID PROPANE FIRED**

<b>Problem</b>	<b>Probable Cause</b>	<b>Remedy</b>
<b>Pilot will not light, burner will not fire</b>	Burner switch no set to ON	Turn switch to ON
	Trigger not pulled	Pull trigger. Burner should only fire when trigger is pulled.
	Gas valve turned OFF	Turn gas valve ON
	No voltage to the valve	Check for 24vAC between pilot valve (PV) and PV/MV. Valve will operate between 20.5 and 28.5vAC.
	Gas valve turned OFF	Turn gas valve ON
	Defective ignition module	Check for 24vAC incoming @ 24V & 24V ground. (If you get voltage to module, but not through module, replace.
	Defective transformer	Check for 24v output. If no voltage, replace.
	Defective flow switch	Replace
	Defective thermostat	Replace

Problem	Probable Cause	Remedy
<b>Pilot will not light, burner will not fire, cont.</b>	Faulty cam switch	Replace
	Igniter not working	Test for spark. Test for continuity between ignition wire and ground <b>WARNING: High voltage igniter can cause electrical shock!</b>
<b>Pilot lights, but burner will not fire</b>	Check for 24vAC between main valve (MV) and PV/MV	If no vAC @ valve, replace module. If you get voltage, replace the valve.
<b>Burner fires, but goes out</b>	Check for continuity between ignition cable and ground wire	Assure good ground
	Faulty ignition module	Replace module
	Excess draft	Protect from windy conditions
<b>NG or LP odor is present</b> <i>Warning: Check all gas connections with soap solution before operation.</i>	Gas leak ahead of valve	Turn gas off, call gas supplier
	Lockout not working	Replace module
	Valve stuck	Turn main gas valve off. Replace the valve
<b>Discharge water temperature too high</b>	Faulty thermostat	Replace
	Water restriction	Clean or replace spray nozzle, descale coil, remove obstructions
	Incoming gas pressure too high	Lower gas pressure
<b>Discharge water temperature not reaching maximum operating temperature</b>	Worn spray nozzle	Replace spray nozzle with proper size
	Gas pressure too low	Increase gas pressure or install additional jets
	Draft under burner manifold	Prevent down draft with installation of down draft diverter. Prevent side draft with nonflammable barrier
	Soot buildup on coil	Clean coil
	Hard water (scale) deposits in coil	Descale or replace coil

<b>Problem</b>	<b>Probable Cause</b>	<b>Remedy</b>
<b>Burner continues to fire even when water is not being sprayed</b>	Faulty flow switch, vAC switch or pressure switch	Replace
	Main gas valve stuck open	Replace main gas valve
<b>Valve has had water sprayed on it. Has been submerged in water and does not work</b>	Flood or accidental spraying	Replace valve - DO NOT attempt to repair or clean
<b>Ignition module has been subjected to water or moisture</b>	Flood or accidental spraying	Replace module - DO NOT attempt to repair

For additional help or to find your local authorized service location, call **1-877-362-4271** or email [cservice@fna-group.com](mailto:cservice@fna-group.com)

# LIMITED WARRANTY

All FNA GROUP® pressure washers are warranted by the FNA GROUP® to the original purchaser to be free from defects in materials and workmanship under normal use, for the periods specified below. This Limited Warranty is subject to the exclusions shown below, applies to the original components only and is calculated from date of the original purchase. Any parts replaced under this warranty will assume the remainder of the part's original warranty period. These warranties pass through to the original purchaser only and are nontransferable. To find the nearest Authorized Service Center (ASC), contact customer service group: 1-877-362-4271 or email [cservice@fna-group.com](mailto:cservice@fna-group.com). The customer is responsible to maintain and provide a copy of the purchase receipt to the Authorized Service Center at the time of repair to prove warranty status.

Component	Warranty Period	Exclusions or Comments
Industrial frame / handle assemblies (welded steel or aluminum), Powershot, WaterBlaster, Water Shotgun, Delco® equipment	10 year(s) Parts, 1 year labor	Rust, chemical damage, misuse/abuse
AAA® Triplex pumps	5 year(s) Parts, 1 year labor	Freezing, water quality, chemical damage, over pressurization, low water supply
General Pump® Belt / direct drive pumps	5 year(s) Parts, 1 year labor	Pumps are evaluated by General Pump®
CAT® Belt drive pumps	5 year(s) Parts, 1 year labor	Pumps are evaluated by CAT® Pump
UDOR® Belt drive pumps	7 year(s) Parts, 1 year labor	Pumps are evaluated by UDOR® Pump
Comet Pump® Belt / direct drive pumps	5 year(s) Parts, 1 year labor	Pumps are evaluated by Comet® Pump
Coils, coil tanks, fuel / float tanks, belt guards	5 year(s) Parts, 1 year labor	Freezing, water quality, chemical damage, over pressurization
CAT® Direct drive pumps	2 year(s) Parts, 1 year labor	Pumps are evaluated by CAT® Pump
OEM® Axial pumps	1 year Parts, 1 year labor	Freezing, water quality, chemical damage, over pressurization, low water supply
Electric pump / motor assemblies	1 year Parts, 1 year labor	Freezing, water quality, chemical damage, over pressurization, low water supply
Delco engines, Simpson generators, burner assembly components	1 year Parts, 1 year labor	Freezing, fuel quality, damage due to over pressurization, incorrect voltage
Consumer frame/handle components (Megashot)	1 year Parts, 1 year labor	Rust, chemical damage, misuse/abuse
Electrical components, switches, contactors, overload relays, transformers, PC boards, control modules	90 day Parts, 90 day labor	Rust, chemical damage, misuse/abuse, freezing, fuel quality, damage due to over pressurization, incorrect voltage
Accessory items: Nozzles, hoses, trigger guns, wands/lances, injectors, unloader valves, hose reels, foamers, GFCI's, relief valves, filters, wheels, tires, surface cleaners, soap tanks	90 day Parts, 90 day labor	Rust, chemical damage, misuse/abuse, freezing, fuel quality, damage due to over pressurization, incorrect voltage

## WARRANTY PROVIDED BY OTHER MANUFACTURERS:

Electric Motors and Gasoline Engines or Diesel Engines, which are warranted by their respective manufacturers, are serviced through these manufacturers local authorized service centers. The FNA GROUP® is not authorized and had no responsibility to provide warranty service for such components.

This warranty does not cover the following items:

1. Normal wear items such as, seals, O-rings, packing's, pistons, pump valve assemblies, strainers, belts, brushes, fuses, filters, fans or gaskets.
2. Damage or malfunctions resulting from accidents, abuse, modifications, alterations, incorrect installation, improper servicing, failure to follow manufacturer's maintenance instructions, or use of the equipment beyond its stated usage specifications as contained in the owner's manual.
3. Damage due to freezing, chemical deterioration, scale build up, rust, corrosion, water quality or thermal expansion.
4. Damage to components from fluctuations in electrical or water supply.
5. Normal maintenance service, including adjustments, fuel system cleaning and cleans of obstructions.
6. Travel expenses or shipping costs of machines or components for the purpose of repair or replacement of equipment.
7. The manufacturer's warranty obligation is limited to repair or replacement of defective components as provided herein and the Manufacturer shall not be liable for any further loss, damages or expenses - including damages from shipping, accident, abuse, acts of God, misuse, water quality or neglect. Neither is damage from repairs using non-OEM parts or alterations performed by non-factory authorized personnel nor failure to install and operate equipment according to the guidelines put forth in the instruction manual shall void warranty.

## LIMITATION OF LIABILITY

The FNA GROUP'S liability for special, incidental or consequential damages is expressly disclaimed. In no event shall The FNA GROUP'S liability exceed the purchase price of the product in question. The FNA GROUP makes every effort to ensure that all illustrations and specifications are correct, however, these do not imply a warranty that the product is merchantable or fit for a particular purpose, or that the product will actually conform to the illustrations and specifications. Our obligation under this warranty is expressly limited at our option to the replacement or repair at a service facility or factory designated by us, of such part or parts as inspection shall disclose to have been defective. **THE WARRANTY CONTAINED HEREIN IS IN LIEU OF ALL OTHER WARRANTIES EXPRESS OR IMPLIED, INCLUDING ANY IMPLIED WARRANTY OF MERCHANTABILITY OR FITNESS FOR A PARTICULAR PURPOSE are expressly limited to the duration of this written warranty.** The FNA GROUP® does not authorize any other party, to make any representation or promise on behalf of the FNA GROUP® or to modify the terms, conditions or limitations in any way. It is the buyer's responsibility to ensure the installation and use of the products conforms to local codes. While FNA attempts to assure that its products meet national codes; it cannot be responsible for how the customer chooses to use or install the product. Some states do not allow limitations on how long an implied warranty lasts or the exclusion or limitation of incidental or consequential damages, so the above limitation or exclusion may not apply.

FNA GROUP  
7152 99th Ave.  
Pleasant Prairie, WI 53158  
(847)348-1500  
[www.fna-group.com](http://www.fna-group.com)

# NOTES

---

---

**THIS PAGE WAS INTENTIONALLY LEFT BLANK**

**THIS PAGE WAS INTENTIONALLY LEFT BLANK**

**THIS PAGE WAS INTENTIONALLY LEFT BLANK**





**READ THIS MANUAL CAREFULLY BEFORE OPERATION**

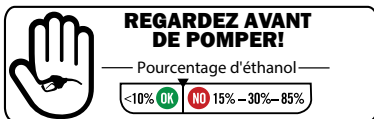
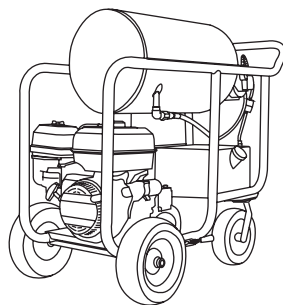
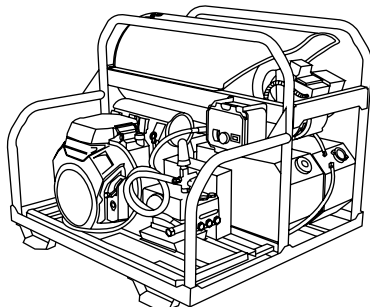
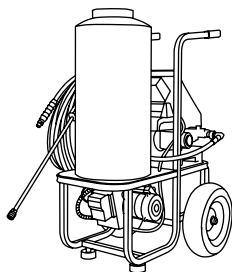
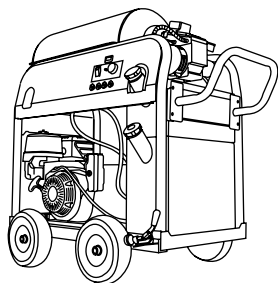
Failure to follow the instructions and safety precautions in this manual can result in property damage, serious injury and/or death.

**SAVE THIS MANUAL FOR FUTURE REFERENCE**



# LAVEUR SOUS PRESSION À EAU CHAUDE

## GUIDE D'UTILISATION ET D'ENTRETIEN



### LIRE ATTENTIVEMENT CE GUIDE AVANT L'UTILISATION

Le fait de ne pas suivre les instructions et les précautions de sécurité de ce guide peut entraîner des dommages matériels, des blessures graves et/ou la mort.

Si le laveur sous pression ne fonctionne pas ou si des pièces sont manquantes ou endommagées, veuillez **NE PAS LE RETOURNER AU LIEU D'ACHAT**. Contactez notre service à la clientèle par téléphone au **1 877 362-4271** ou par courriel à **[cservice@fna-group.com](mailto:cservice@fna-group.com)**

### CONSERVEZ CE GUIDE POUR RÉFÉRENCE ULTÉRIEURE

**REMARQUE :** Les photographies et les schémas utilisés dans ce guide sont donnés à titre indicatif uniquement et peuvent ne pas représenter votre modèle spécifique.

# REMARQUES

---

---

**CETTE PAGE A ÉTÉ INTENTIONNELLEMENT LAISSÉE BLANCHE**

## CONSERVER CE GUIDE POUR UNE UTILISATION ULTÉRIEURE

Conservez ce guide pour toute référence ultérieure. Ce guide doit être considéré comme faisant partie intégrante du produit et doit être conservé avec celui-ci. Ce guide doit être mis à la disposition de toute personne utilisant le(s) produit(s) qu'il couvre. Ce guide doit être conservé avec le(s) produit(s) concerné(s) en cas de vente à un nouveau propriétaire. Si le guide est endommagé, perdu ou inutilisable, vous pouvez télécharger une nouvelle copie à partir des pages du produit à l'adresse [www.simpsoncleaning.com](http://www.simpsoncleaning.com) ou contacter le service clientèle en appelant le 1 877 362-4271.

Notez le numéro de modèle, le numéro de série et la date d'achat de ce produit dans les espaces prévus ci-dessous, puis conservez ce guide avec le(s) reçu(s) d'achat pour toute référence ultérieure.

Numéro de  
modèle :

---

Numéro de  
série :

---

Date d'achat :

---

# TABLE DES MATIÈRES

<b>INSTRUCTIONS DE SÉCURITÉ</b>	<b>4</b>
Lire ce guide avant l'utilisation	4
Instructions supplémentaires	4
Symboles d'alerte de danger	4
<b>CLAUSES DE NON-RESPONSABILITÉ</b>	<b>6</b>
<b>ÉQUIPEMENT DE PROTECTION INDIVIDUELLE</b>	<b>7</b>
<b>CONSIGNES DE SÉCURITÉ IMPORTANTES</b>	<b>7</b>
Fonctionnement à l'essence ou au diesel	7
Fonctionnement à l'électricité	16
<b>DÉCOUVREZ LE LAVEUR SOUS PRESSION</b>	<b>18</b>
Terminologie relative aux laveurs sous pression	18
<b>ASSEMBLAGE</b>	<b>21</b>
Assembler le pistolet de pulvérisation	21
Organiser les accessoires	21
Ajout du bouchon de reniflard de la pompe	22
<b>RACCORDEMENT DES TUYAUX</b>	<b>22</b>
<b>CARACTÉRISTIQUES DE FONCTIONNEMENT</b>	<b>23</b>
Réglages de la pression	23
Comment utiliser la lance d'arrosage	24
Changement de buse sur la lance d'arrosage	24
<b>EMPLACEMENT DES COMPOSANTS</b>	<b>25</b>
Laveur sous pression à moteur	25
Laveur sous pression à moteur, monté sur patins	26
Laveur sous pression à moteur électrique	27
<b>COMMENT UTILISER LES SOLVANTS DE NETTOYAGE</b>	<b>29</b>
<b>PRÉPARATION DU MOTEUR</b>	<b>30</b>
Huile pour moteur à essence	30
Carburant pour moteur à essence	31
Huile pour moteur diesel	33
Carburant pour moteur diesel	34
<b>BRANCHEMENTS DE LA PILE</b>	<b>34</b>
<b>PURGE DE L'AIR DE LA POMPE</b>	<b>35</b>
<b>LISTE DE CONTRÔLE DE FONCTIONNEMENT</b>	<b>36</b>
Emplacement	36

Fonctionnement à haute altitude	37
Conditions de fonctionnement	37
<b>DÉMARRAGE DU MOTEUR</b>	<b>39</b>
Moteur à essence – Démarrage électrique	39
Moteur à essence – Démarrage à rappel	39
Démarrage du moteur – Diesel	40
<b>DÉMARRAGE DU LAVEUR SOUS PRESSION ÉLECTRIQUE</b>	<b>41</b>
<b>UTILISATION DE L'EAU CHAUDE</b>	<b>43</b>
Remplissage du réservoir de carburant du brûleur	43
Démarrage du brûleur	43
<b>ARRÊT DU SYSTÈME</b>	<b>44</b>
<b>CONSEILS D'UTILISATION</b>	<b>45</b>
Préparation	45
Lavage sous pression	45
<b>HOROMÈTRE</b>	<b>45</b>
<b>ENTRETIEN</b>	<b>46</b>
Nettoyage du laveur sous pression	46
Inspection avant travail	46
Raccords	46
Nettoyage des buses	47
Filtre d'entrée d'eau	47
Entretien du moteur	48
Entretien de la pompe	48
Tableau d'entretien	49
<b>ENTREPOSAGE ET TRANSPORT</b>	<b>50</b>
Entreposage pendant deux mois ou moins (Essence)	50
Entreposage pendant deux mois ou moins (Diesel)	50
Entreposage pendant deux mois ou moins (Électrique)	50
Entreposage pendant deux mois ou plus (Essence)	51
Entreposage pendant deux mois ou plus (Diesel)	51
Entreposage pendant deux mois ou plus (Électrique)	52
Transport	52
<b>UTILISATION DE LA PROTECTION DE POMPE SIMPSON®</b>	<b>53</b>
<b>DÉPANNAGE</b>	<b>54</b>
Système d'alimentation : Fonctionnement à l'essence ou au diesel	54
Système d'alimentation : Fonctionnement à l'électricité	55
Système de pompage	56
Système de brûleur de chauffage : Chauffage au diesel	58
Système de brûleur de chauffage : Chauffage au gaz naturel ou propane liquide	61
<b>GARANTIE LIMITÉE</b>	<b>63</b>

# INSTRUCTIONS DE SÉCURITÉ



## LIRE CE GUIDE AVANT L'UTILISATION

Ce guide contient des informations et des instructions de sécurité importantes. **N'utilisez pas** ce produit avant d'avoir lu et compris toutes les instructions de sécurité, d'utilisation et d'entretien figurant dans ce guide. Le fait de ne pas suivre les instructions et les précautions de sécurité de ce guide peut entraîner des dommages matériels, des blessures graves et/ou la mort.

**REMARQUE** : Les avertissements et les précautions abordés dans ce guide ne peuvent pas couvrir toutes les conditions et situations pouvant se produire. L'utilisateur doit comprendre que la sensibilisation et la prudence sont des facteurs qui ne peuvent pas être intégrés à ce produit et qu'ils doivent donc être exercés par l'utilisateur.



## INSTRUCTIONS SUPPLÉMENTAIRES

En plus de ce guide, lisez attentivement toutes les instructions supplémentaires fournies sur et avec le produit, l'équipement annexe, les accessoires et le moteur qui alimente le produit. Portez une attention particulière à toutes les règles de sécurité supplémentaires et aux instructions concernant les procédures de démarrage, d'utilisation et d'arrêt. Utilisez toujours les vêtements de protection recommandés qui peuvent être nécessaires pour utiliser l'équipement en toute sécurité.



## SYMBOLES D'ALERTE DE DANGER

Veillez à bien comprendre les symboles de sécurité et les définitions énumérés ci-dessous. Chaque symbole contient l'un des quatre mots suivants : **DANGER, AVERTISSEMENT, ATTENTION, AVIS**, indiquant différents niveaux de risque. Ces symboles sont utilisés tout au long de ce guide et sont suivis d'informations sur un danger précis, les conséquences de ce danger et des instructions sur la façon d'éviter ce danger. Si vous ne tenez pas compte de ces symboles et ne suivez pas les instructions qui leur sont fournies, vous risquez de subir des dommages matériels, des blessures et/ou la mort.

 **DANGER:**

Indique une situation dangereuse imminente qui, si elle n'est pas évitée, entraînera des dommages matériels, des blessures graves et/ou la mort.

 **AVERTISSEMENT:**

Indique une situation potentiellement dangereuse qui, si elle n'est pas évitée, peut entraîner des dommages matériels, des blessures graves et/ou la mort.

 **ATTENTION:**

Indique une situation dangereuse qui, si elle n'est pas évitée, peut entraîner des dommages matériels et/ou des blessures légères à modérées.

**AVIS**

Indique des informations considérées comme importantes, mais qui ne sont pas directement liées au danger.

**CAUTION**



**TRIPPING HAZARD**

Hoses may pose a tripping hazard that can cause injuries resulting from a fall

**ATTENTION:**

**RISQUES DE GLISSEMENT ET DE TRÉBUTS**

Lors du lavage à haute pression dans les espaces publics, des panneaux doivent être affichés indiquant de rester à l'écart de la zone pendant le lavage à haute pression. De plus, des panneaux doivent être affichés indiquant que la surface peut être glissante et qu'il peut y avoir des risques de trébuchement.

Une attention particulière doit être portée à la sécurité non seulement de l'opérateur du nettoyeur haute pression, mais également des personnes qui peuvent se trouver à proximité de la zone à nettoyer. La meilleure façon d'avertir les personnes sans méfiance est d'utiliser des panneaux de signalisation et des barrières.

Les barrières peuvent être aussi simples que des cônes de signalisation en plastique ou des barricades à l'aide de ceintures de barrière autour de la zone à nettoyer. N'oubliez pas que le lavage à pression peut déloger une chaussée faible ou cassée, la transformant en projectiles pouvant blesser d'autres personnes. Garder les gens à l'écart de la zone est le meilleur moyen d'éviter les blessures.

La chaussée mouillée peut être glissante pour les personnes sans méfiance, causant des blessures causées par des glissades et des chutes. Les flexibles à haute et basse pression peuvent être des risques de trébuchement. Séparer la zone et placer une signalisation appropriée peut réduire les blessures.

### Exemples de signes



### Exemples de barrières







## AVERTISSEMENT DE LA PROPOSITION 65 DE LA CALIFORNIE

Ce produit et les gaz d'échappement du moteur peuvent vous exposer à des produits chimiques connus dans l'État de Californie pour provoquer des cancers, des anomalies congénitales ou d'autres problèmes de reproduction. Pour plus d'informations sur la proposition 65 de l'État de Californie, consultez le site [www.P65Warnings.ca.gov](http://www.P65Warnings.ca.gov).



## AVERTISSEMENT SUR LES HYDROCARBURES AROMATIQUES POLYCYCLIQUES

L'élément du filtre à air et l'ensemble de la boîte à air peuvent contenir des hydrocarbures aromatiques polycycliques (HAP). Certains HAP peuvent provoquer le cancer. Pour éviter toute exposition aux HAP, portez des gants lors de l'entretien du filtre à air.



## AVERTISSEMENT: SILENCIEUX PARE-ÉTINCELLES

Ce produit peut ne pas être muni d'un silencieux pare-étincelles. Si le produit n'est PAS équipé et doit être utilisé à proximité de matériaux inflammables ou sur un terrain recouvert de matériaux tels que des cultures agricoles, des forêts, des broussailles, de l'herbe ou d'autres matériaux similaires, un pare-étincelles DOIT être installé et est légalement requis dans l'État de Californie.

Il s'agit d'une violation de l'article 130050 de la loi californienne et/ou des articles 4442 et 4443 du California Public Resource Code, à moins que le moteur ne soit équipé d'un pare-étincelles, tel que défini à l'article 4442, et maintenu en bon état de travail.

Les pare-étincelles sont également obligatoires sur certains terrains du Service des forêts des États-Unis et peuvent également être légalement exigés en vertu d'autres lois et règlements.

## CLAUSES DE NON-RESPONSABILITÉ



Tous les renseignements dans cette publication sont basés sur les derniers renseignements disponibles sur le produit au moment de l'impression. Le groupe FNA se réserve le droit de mettre à jour, de modifier et/ou d'améliorer le produit et ce document à tout moment, sans préavis et sans encourir aucune obligation.

Ce guide peut concerner plusieurs machines. Les images et les figures du guide ne doivent être utilisées qu'à titre de référence. Il peut y avoir des différences entre votre produit et les images, les schémas et les diagrammes de ce guide.

Si vous prêtez, louez ou vendez cette machine, veuillez à inclure tous les documents d'instruction avec l'appareil!

# ÉQUIPEMENT DE PROTECTION INDIVIDUELLE (EPI)

Il est important de comprendre quel équipement de protection individuelle (EPI) doit être utilisé lors de l'utilisation de votre laveur sous pression. Vous trouverez ci-dessous une liste des équipements de protection individuelle qui doivent être utilisés à tout moment lors de l'utilisation d'un laveur sous pression.

Ouïe : Bouchons d'oreilles ou casques pour protéger votre ouïe.

Vision : Lunettes de sécurité pour protéger vos yeux.

Vêtements : Pantalon long pour protéger vos jambes des débris volants.

Chaussures : Chaussures couvrant entièrement vos pieds pour vous protéger des débris et des projections.

## CONSIGNES DE SÉCURITÉ IMPORTANTES FONCTIONNEMENT À L'ESSENCE OU AU DIESEL



**AVERTISSEMENT:**

**VAPEURS TOXIQUES**

Les gaz d'échappement du moteur contiennent du monoxyde de carbone, un gaz inodore, incolore et toxique. Faire fonctionner un moteur à l'intérieur tue en quelques minutes. N'utilisez jamais ce produit à l'intérieur d'une maison, d'un garage ou de tout autre type de bâtiment fermé, même avec les portes et fenêtres ouvertes. Faites fonctionner le moteur à une distance d'au moins à 20 pieds (6 mètres) des fenêtres, portes et aérateurs. Tenez compte soigneusement du sens du vent et des courants d'air lorsque vous utilisez ce produit à l'extérieur, pour éviter d'inhaler les gaz d'échappement du moteur. Utilisez toujours un détecteur de monoxyde de carbone dans des bâtiments occupés, à proximité du moteur.

N'utilisez **JAMAIS** un moteur ou un brûleur à huile à l'intérieur d'une maison, d'un garage, d'un vide sanitaire ou de tout autre endroit partiellement fermé. Des niveaux mortels de monoxyde de carbone peuvent s'accumuler dans ces endroits. L'utilisation d'un ventilateur ou l'ouverture des fenêtres et des portes ne fournit **PAS** suffisamment d'air frais.

Utilisez l'appareil **UNIQUEMENT** à l'extérieur et loin des fenêtres, portes ou conduits d'aération ouverts. Ces ouvertures peuvent aspirer les gaz d'échappement du moteur ou du brûleur. Ne faites jamais fonctionner le laveur sous pression à l'intérieur ou à proximité d'un endroit occupé par des humains ou des animaux.

Même si le moteur est utilisé correctement, du monoxyde de carbone peut s'infiltrer dans votre maison. Utilisez **TOUJOURS** un détecteur de monoxyde de carbone à pile ou à pile de secours dans votre maison. **Lisez, suivez et comprenez toutes les directives** relatives au détecteur de monoxyde de carbone avant de l'utiliser ou d'utiliser ce laveur sous pression. Si vous vous sentez malade, étourdi ou faible à tout moment, allez immédiatement à l'air frais et consultez un médecin. Vous pourriez être empoisonné au monoxyde de carbone.

 **AVERTISSEMENT:**

N'utilisez pas cet appareil avant d'avoir lu ce manuel d'utilisation et le manuel d'utilisation du moteur pour les consignes de sécurité, d'utilisation et d'entretien. Si vous avez des questions concernant ce produit, veuillez contacter notre service client au 1 877 362-4271 ou par courriel à : [cservice@fna-group.com](mailto:cservice@fna-group.com).

**CONSERVER CE GUIDE POUR UNE UTILISATION ULTÉRIEURE**



 **WARNING:**

**BLESSURE PAR INJECTION**

Risque d'injection ou de blessures graves. Ne pas s'approcher de la buse. **NE PAS** diriger le jet vers des personnes ou des animaux. **NE PAS** utiliser un tuyau haute pression qui fuit. **NE PAS** essayer de réparer le tuyau haute pression, **REMPLACEZ-LE!**



 **DANGER:**

**RISQUE D'EXPLOSION OU D'INCENDIE**

**CE QUI PEUT SE PRODUIRE**

**COMMENT L'ÉVITER**

Le carburant renversé (essence, diesel, kérosène, carburants de substitution approuvés) et ses vapeurs peuvent s'enflammer à cause des étincelles de cigarettes, des arcs électriques, des gaz d'échappement et des composants chauds du moteur, tels que le silencieux.

Coupez le moteur et laissez-le refroidir avant d'ajouter du carburant dans le(s) réservoir(s).

Pendant le remplissage, toutes les sources d'allumage et tous les interrupteurs doivent être en position d'arrêt.

Veillez à remplir le réservoir avec précaution afin d'éviter de renverser du carburant. Éloignez le laveur sous pression de la zone de remplissage de carburant avant de démarrer le moteur.

La chaleur fait dilater le carburant dans le réservoir, ce qui peut entraîner un déversement et un risque d'incendie ou d'explosion.

Maintenez le niveau maximum de carburant à 1/2 po (12,7 mm) en dessous du bas du goulot de remplissage pour permettre l'expansion.

L'utilisation du laveur sous pression dans un environnement explosif peut provoquer un incendie.

Utilisez l'équipement et faites le remplissage dans des zones bien ventilées et exemptes d'obstructions. Gardez à portée de main un extincteur conçu pour les incendies d'essence.

Les matériaux placés contre ou à proximité du laveur sous pression peuvent interférer avec ses caractéristiques de ventilation correctes, entraînant une surchauffe et une possible inflammation des matériaux.

N'utilisez jamais le laveur sous pression dans une zone contenant des broussailles sèches ou des mauvaises herbes.



**! DANGER:**

## RISQUE D'EXPLOSION OU D'INCENDIE

CE QUI PEUT SE PRODUIRE	COMMENT L'ÉVITER
<p>Un carburant mal entreposé peut provoquer une inflammation accidentelle. Un carburant mal attaché peut tomber entre les mains d'enfants ou d'autres personnes non qualifiées.</p>	<p>Entreposez le carburant du moteur et du brûleur dans un conteneur propre approuvé par l'OSHA, dans un endroit sécurisé éloigné de la zone de travail. Ne laissez pas de débris ou d'humidité pénétrer dans le conteneur.</p>
<p>La pulvérisation d'essence, de kérosène ou de tout autre solvant inflammable avec ce produit peut entraîner des blessures graves, voire la MORT.</p>	<p>Ne pulvérisez pas de liquides inflammables.</p>
<p>Les liquides inflammables peuvent créer des émanations qui peuvent s'enflammer et causer des dommages matériels ou des blessures graves.</p>	<p>Ne remplissez le carburant que dans un endroit bien ventilé. Nettoyez rapidement tout déversement et ne démarrez pas le moteur à l'endroit où vous avez rempli le réservoir.</p>



**! DANGER:**

## RISQUE RESPIRATOIRE (ASPHYXIE)

CE QUI PEUT SE PRODUIRE	COMMENT L'ÉVITER
<p>L'inhalation des gaz d'échappement peut entraîner des blessures graves, voire la MORT! Les gaz d'échappement du moteur contiennent du monoxyde de carbone, un gaz inodore et incolore.</p>	<p>N'utilisez le laveur sous pression que dans un endroit bien ventilé. N'utilisez PAS l'appareil dans un endroit fermé comme un garage, un sous-sol, etc.</p> <p>N'utilisez jamais l'appareil dans ou à proximité d'un endroit occupé par des humains ou des animaux.</p> <p>Ne raccordez jamais le laveur sous pression à un conduit d'évacuation de gaz de type B.</p>
<p>Certains liquides de nettoyage contiennent des substances susceptibles de provoquer des lésions de la peau, des yeux ou des poumons.</p>	<p>N'utilisez que des liquides de nettoyage spécifiquement recommandés pour les laveurs sous pression. Suivez les recommandations du fabricant. N'utilisez PAS d'eau de Javel ou tout autre composé corrosif.</p>



**! DANGER:**

## RISQUE D'INJECTION DE LIQUIDE ET DE LACÉRATION

### CE QUI PEUT SE PRODUIRE

### COMMENT L'ÉVITER

Votre laveur sous pression fonctionne à une pression de fluide et à des vitesses suffisamment élevées pour pénétrer dans la chair humaine et animale, ce qui pourrait entraîner une amputation ou d'autres blessures graves. Les fuites causées par des raccords desserrés ou des tuyaux usés ou endommagés peuvent entraîner des blessures par injection. **NE TRAITÉZ PAS L'INJECTION DE FLUIDE COMME UNE SIMPLE COUPURE!** Consultez immédiatement un médecin.

Inspectez régulièrement le tuyau haute pression et remplacez-le immédiatement s'il est endommagé, usé, s'il a fondu au contact du moteur ou s'il présente des signes de fissures, de bulles, de trous ou d'autres fuites. Ne saisissez **JAMAIS** un tuyau haute pression qui fuit ou qui est endommagé.

Ne touchez jamais un tuyau haute pression présentant un trou ou une fuite similaire. La vapeur d'eau est sous haute pression et pénètre dans la peau.

Ne placez jamais les mains devant la buse.

Dirigez le jet loin de vous ou des autres.

Assurez-vous que le tuyau est en bon état et que les raccords sont bien serrés.

Ne laissez pas le tuyau entrer en contact avec le silencieux.

Ne fixez ou ne retirez jamais la lance ou le tuyau lorsque le système est sous pression.

N'utilisez que des accessoires d'une puissance égale ou supérieure à celle du nettoyeur haute pression.

Des blessures peuvent survenir si la pression du système n'est pas réduite avant de procéder à l'entretien ou au démontage.

Pour réduire la pression du système : arrêtez le moteur, coupez l'alimentation en eau et appuyez sur la gâchette du pistolet jusqu'à ce que le débit d'eau s'arrête.

**! DANGER:****RISQUE DE BLESSURE PAR PULVÉRISATION**

CE QUI PEUT SE PRODUIRE	COMMENT L'ÉVITER
<p>Le fluide à haute vitesse peut provoquer la rupture d'objets, projetant des particules à grande vitesse.</p>	<p>Portez toujours des lunettes de sécurité. Portez des vêtements de protection pour vous protéger contre les pulvérisations accidentelles.</p> <p>Ne dirigez jamais la lance d'arrosage vers des personnes et/ou des animaux et ne les aspergez pas.</p>
<p>Les objets légers ou non fixés peuvent devenir des projectiles dangereux.</p>	<p>Bloquez toujours le verrou de la gâchette lorsque la lance d'arrosage n'est pas utilisée afin d'éviter toute pulvérisation accidentelle.</p> <p>Ne bloquez jamais en permanence la gâchette en position de recul (ouverte).</p>

**! DANGER:****RISQUE DE FONCTIONNEMENT DANGEREUX**

CE QUI PEUT SE PRODUIRE	COMMENT L'ÉVITER
<p>Une utilisation non sécuritaire de votre laveur sous pression peut entraîner des blessures graves, voire mortelles, pour vous ou pour d'autres personnes.</p>	<p>N'utilisez pas d'eau de Javel ou tout autre composé corrosif.</p> <p>Familiarisez-vous avec le fonctionnement et les commandes du laveur sous pression.</p> <p>Veillez à ce que la zone d'utilisation soit exempte de personnes, d'animaux et d'obstacles.</p> <p>N'utilisez pas l'appareil lorsque vous êtes fatigué ou sous l'influence de drogues et/ou d'alcool. Restez vigilant à tout moment.</p> <p>Ne compromettez jamais les dispositifs de sécurité du laveur sous pression.</p> <p>N'utilisez pas l'appareil avec des pièces manquantes, cassées ou non autorisées.</p> <p>Ne laissez jamais la machine sans surveillance lorsqu'elle est en marche. Éteignez la machine.</p> <p>N'obstruez pas l'échappement du brûleur.</p>

Une utilisation non sécuritaire de votre laveur sous pression peut entraîner des blessures graves, voire mortelles, pour vous ou pour d'autres personnes.

*A continué*

Ne touchez jamais à la soupape de décharge thermique.

Ne touchez pas à la soupape de décharge.

Ne modifiez pas la laveur sous pression de quelque manière que ce soit.

N'essayez jamais de réparer un tuyau haute pression endommagé. Remplacez-le.

<b>CE QUI PEUT SE PRODUIRE</b>	<b>COMMENT L'ÉVITER</b>
<p>Si la procédure de démarrage n'est pas respectée, le moteur peut rebondir et provoquer de graves blessures aux mains et aux bras.</p>	<p>Tirez lentement sur le cordon de démarrage jusqu'à ce que vous sentiez une résistance, puis tirez rapidement sur le cordon pour éviter tout rebond et toute blessure à la main ou au bras. Si le moteur ne démarre pas après deux tentatives, appuyez sur la gâchette pour relâcher la pression de la pompe.</p>
<p>La lance d'arrosage est un outil de nettoyage puissant qui pourrait ressembler à un jouet pour un enfant.</p>	<p>Tenez les enfants à l'écart du laveur sous pression à tout moment.</p> <p>Ne laissez jamais le laveur sous pression sans surveillance lorsqu'il est en marche.</p> <p>Relâchez toujours la pression du système une fois que vous avez arrêté le moteur.</p>
<p>La force réactive du jet provoque un rebond du pistolet/de la lance et risque de faire glisser ou tomber l'opérateur ou de mal orienter le jet. Une mauvaise maîtrise du pistolet/de la lance peut entraîner des blessures à soi-même ou à d'autres personnes.</p>	<p>Ne vous étendez pas trop ou ne vous tenez pas sur un support instable.</p> <p>N'utilisez pas le laveur sous pression en vous tenant sur une échelle.</p> <p>Saisissez fermement le pistolet/la lance à deux mains. Attendez-vous à ce que le pistolet rebondisse lorsqu'il est déclenché.</p>



## RISQUE DE BLESSURES OU DE DOMMAGES MATÉRIELS LORS DU TRANSPORT OU DE L'ENTREPOSAGE

CE QUI PEUT SE PRODUIRE	COMMENT L'ÉVITER
<p>Le carburant ou l'huile peut fuir ou se déverser et entraîner un risque d'incendie ou de respiration. Des blessures graves, voire mortelles, peuvent en résulter. Les fuites de carburant ou d'huile endommageront la moquette, la peinture ou d'autres surfaces d'un véhicule ou d'une remorque.</p> <p>L'huile pourrait remplir le cylindre de compression et endommager le moteur si l'appareil n'est pas entreposé ou transporté en position verticale.</p>	<p>Si le laveur sous pression est équipé d'une vanne d'arrêt de carburant, tournez la vanne en position fermée (OFF) avant le transport pour éviter les fuites de carburant. Si le laveur sous pression n'est pas équipé d'une vanne d'arrêt du carburant, vidangez le carburant du réservoir avant le transport.</p> <p>Ne transportez le carburant que dans un conteneur approuvé par l'OSHA.</p> <p>Placez toujours le laveur sous pression sur un tapis de protection lors du transport afin d'éviter d'endommager le véhicule en cas de fuite.</p> <p>Transportez et entreposez toujours l'appareil en position verticale. Retirez le laveur sous pression du véhicule dès votre arrivée à destination.</p>



## RISQUE DE CHOC ÉLECTRIQUE

CE QUI PEUT SE PRODUIRE	COMMENT L'ÉVITER
<p>La pulvérisation dirigée vers des prises ou des interrupteurs électriques, ou des objets connectés à un circuit électrique, peut entraîner un choc électrique mortel.</p>	<p>Dirigez le jet à l'écart des prises, interrupteurs et équipements électriques.</p> <p>Ne nettoyez jamais un appareil fonctionnant à l'électricité, même s'il est débranché, à moins qu'il ne soit clairement indiqué dans son manuel que ce type de nettoyage est autorisé.</p>





**! DANGER:**

## RISQUE DE BRÛLURE CHIMIQUE

CE QUI PEUT SE PRODUIRE	COMMENT L'ÉVITER
<p>L'utilisation d'acides, de produits chimiques toxiques ou corrosifs, de poisons, d'insecticides ou de tout type de solvant inflammable avec ce laveur sous pression peut entraîner des blessures graves, voire mortelles.</p>	<p>Ne pulvérisiez pas d'acides, d'essence, de kérosène ou tout autre produit inflammable avec ce produit. N'utilisez que des détergents ménagers, des nettoyants et des dégraissants approuvés pour une utilisation avec des laveurs sous pression.</p> <p>Portez des lunettes, des chaussures et des vêtements de protection pour protéger les yeux et la peau du contact avec les produits pulvérisés.</p>

**! AVERTISSEMENT:**

## RISQUE DE BLESSURE LIÉ AU LEVAGE

CE QUI PEUT SE PRODUIRE	COMMENT L'ÉVITER
<p>Vous risquez de vous blesser grièvement si vous tentez de soulever un objet trop lourd.</p>	<p>Le laveur sous pression est trop lourd pour être soulevé par une seule personne. Demandez l'aide d'autres personnes avant de le soulever.</p>



## RISQUE D'ÉCLATEMENT

CE QUI PEUT SE PRODUIRE	COMMENT L'ÉVITER
<p>Un jet à grande vitesse dirigé vers les flancs des pneus (comme ceux que l'on trouve sur les automobiles, les remorques et autres) pourrait endommager les flancs et provoquer des blessures graves.</p>	<p>Sur les laveurs sous pression d'une puissance supérieure à 1600 psi (11032 kPa), utilisez le jet le plus large (buse de 40°) et maintenez le jet à une distance minimale de 8 (20 cm) du flanc du pneu. Ne dirigez pas le jet directement sur le joint entre le pneu et la jante.</p>



## RISQUES LIÉS AUX SURFACES CHAUDES

CE QUI PEUT SE PRODUIRE	COMMENT L'ÉVITER
<p>Le contact avec des surfaces chaudes, telles que les composants de l'échappement du moteur, peut entraîner de graves brûlures.</p>	<p>Pendant le fonctionnement, ne touchez que les surfaces de commande du laveur sous pression. Tenez les enfants à l'écart du laveur sous pression à tout moment. Ils peuvent ne pas être en mesure de reconnaître les dangers de ce produit.</p>
<p>Le contact avec le pulvérisateur entraînera de graves brûlures.</p>	<p>NE touchez PAS le pulvérisateur! Dirigez TOUJOURS le jet loin de vous et des autres.</p>



## RISQUE DE DOMMAGES MATÉRIELS

CE QUI PEUT SE PRODUIRE	COMMENT L'ÉVITER
<p>La chaleur des gaz d'échappement du silencieux et du brûleur peut endommager les surfaces peintes, faire fondre tout matériau sensible à la chaleur (comme le revêtement, le plastique, le caoutchouc, le vinyle ou le tuyau de pression lui-même) et endommager les plantes vivantes.</p>	<p>Maintenez toujours le laveur sous pression à une distance minimale de 4 pieds (1,2 mètre) des surfaces (telles que les maisons, les automobiles ou les plantes vivantes) qui pourraient être endommagées par la chaleur d'échappement du silencieux.</p>

**CONSERVEZ CES INSTRUCTIONS POUR UTILISATION ULTÉRIEURE**

# CONSIGNES DE SÉCURITÉ IMPORTANTES

## FONCTIONNEMENT À L'ÉLECTRICITÉ



### AVERTISSEMENT DE LA PROPOSITION 65 DE LA CALIFORNIE

Ce produit peut vous exposer à des produits chimiques, y compris le plomb et ses composés, qui sont reconnus par l'État de Californie comme étant à l'origine de cancers, de malformations congénitales ou d'autres troubles de la reproduction. Pour plus d'informations sur la proposition 65 de l'État de Californie, consultez le site [www.P65Warnings.ca.gov](http://www.P65Warnings.ca.gov).



Veillez lire l'intégralité du manuel avant d'essayer d'assembler, d'utiliser ou d'installer ce produit.

Cet appareil a été conçu pour des applications particulières. Il ne doit pas être modifié et/ou utilisé pour une application autre que celle pour laquelle il a été conçu.

Entreposez toujours le laveur sous pression dans un endroit où la température ne descendra pas en dessous de 40° F (4° C). Les dommages causés par le gel ne sont pas couverts par la garantie.

Si vous prêtez, louez ou vendez cette machine, veillez à inclure tous les documents d'instruction avec l'appareil!

## CONSERVEZ ET LISEZ CES INSTRUCTIONS

*Lors de l'utilisation de ce produit, des précautions de base doivent toujours être prises, notamment les suivantes :*

- Ne touchez pas la fiche ou la prise avec des mains mouillées
- Évitez les démarrages accidentels. Mettez l'interrupteur de l'appareil en position d'arrêt (OFF) avant de brancher ou de débrancher le cordon des prises électriques.
- Le jet d'eau ne doit jamais être dirigé vers une quelconque installation électrique ou directement vers le laveur sous pression lui-même, sous peine d'électrocution fatale.
- Ne portez ou ne tirez jamais le laveur sous pression par le cordon électrique. Ne tirez pas sur le cordon pour le débrancher de la prise électrique.
- Pour éviter tout dommage, le cordon ne doit pas être écrasé, placé à côté d'objets tranchants ou près d'une source de chaleur.
- Inspectez le cordon d'alimentation électrique avant de le brancher sur une prise électrique. Un cordon endommagé peut réduire le rendement de l'appareil ou provoquer un choc électrique mortel.
- Débranchez la fiche d'alimentation de la prise lorsqu'il n'est pas utilisé et avant de détacher le tuyau à haute pression.
- Le laveur sous pression ne doit pas être utilisé dans des zones où des vapeurs inflammables peuvent être présentes. Une étincelle électrique pourrait provoquer une explosion ou un incendie.

- Pour minimiser l'infiltration d'eau dans le moteur du laveur sous pression, placez le laveur sous pression aussi loin que possible du site de nettoyage pendant son fonctionnement.
- Prévoyez une libre circulation de l'air vers le laveur sous pression. Ne couvrez jamais le laveur sous pression pendant son fonctionnement ou directement après son utilisation.
- Ne mettez jamais hors service les dispositifs de sécurité du laveur sous pression.
- N'utilisez jamais le laveur sous pression avec une rallonge électrique. Rapprochez plutôt le laveur sous pression de la prise de courant.

## **SURCHARGE DU MOTEUR**

Ce laveur sous pression est équipé d'un dispositif de protection contre les surcharges qui arrête automatiquement le moteur en cas de consommation excessive de courant ou de surchauffe.

## **INSTRUCTIONS DE MISE À LA TERRE**

Ce produit doit être mis à la terre. En cas de dysfonctionnement ou de panne, la mise à la terre fournit un chemin de moindre résistance pour le courant électrique afin de réduire le risque d'électrocution. Ce produit est équipé d'un cordon d'alimentation muni d'un conducteur de mise à la terre et d'une fiche de mise à la terre. La fiche doit être branchée dans une prise de courant correctement installée et mise à la terre, conformément à tous les codes et règlements locaux. N'utilisez PAS d'adaptateur de mise à la terre.



**! WARNING:**

**MISE À LA TERRE ÉLECTRIQUE**

Un mauvais branchement du conducteur de mise à la terre de l'équipement peut entraîner un risque d'électrocution. En cas de doute sur la mise à la terre, demandez à un électricien autorisé de vérifier l'installation de la prise. Ne modifiez pas la fiche fournie avec le produit si elle ne correspond pas à la prise installée. N'utilisez aucun type d'adaptateur avec ce produit.

## **DISJONCTEUR DIFFÉRENTIEL DE FUITE À LA TERRE (DDFT) –**

(SI L'APPAREIL EN EST ÉQUIPÉ)

Ce laveur sous pression est équipé d'un disjoncteur différentiel de fuite à la terre (DDFT) intégré à la fiche du cordon d'alimentation. Ce dispositif offre une protection supplémentaire contre le risque d'électrocution. Si vous devez remplacer la fiche ou le cordon d'alimentation, n'utilisez que des pièces de rechange identiques dotées d'un disjoncteur différentiel de fuite à la terre.

## INFORMATIONS SUR L'ALIMENTATION ET L'ÉLECTRICITÉ

Ce cordon ne doit être branché que sur une prise électrique installée conformément aux codes et règlements locaux.

A. Inspectez le cordon avant de l'utiliser. Ne l'utilisez pas s'il est endommagé de quelque manière que ce soit.

B. Gardez toutes les connexions sèches et hors du sol.

C. Ne touchez pas la prise avec des mains mouillées.

D. Pour un produit de 250 volts ou moins, monophasé, ce produit est équipé d'un disjoncteur différentiel de fuite à la terre intégré à la fiche. Si vous devez remplacer la fiche ou le cordon, n'utilisez que des pièces de rechange identiques.

E. Dans le cas où l'alimentation électrique est supérieure à 250 volts et/ou triphasée, ce produit doit être branché dans une prise protégée par un disjoncteur différentiel de fuite à la terre.

F. Lisez le(s) manuel(s) d'instruction avant d'utiliser ce produit.



*Pour réduire le risque d'électrocution, gardez toutes les connexions sèches et hors du sol. Ne touchez pas la fiche ou la prise d'alimentation avec des mains mouillées!*

---

## DÉCOUVREZ LE LAVEUR SOUS PRESSION

### TERMINOLOGIE RELATIVE AUX LAVEURS SOUS PRESSION

---

**Alimentation en eau** : La source d'eau qui alimente le laveur sous pression. En général, le minimum requis est de deux fois le volume nominal de la machine à 20 PSI.

**Boîtier EVAP** (si l'appareil en est équipé) : Dispositif qui recueille les vapeurs de carburant et les purge par la suite afin qu'elles brûlent dans le processus de combustion.

**Brûleur** : Dispositif utilisé pour transformer le carburant en énergie thermique. Il sert à chauffer l'eau dans le serpentin et est conçu pour utiliser du carburant diesel n° 2 ou du kérosène.

**BTU (British Thermal Unit)** : La quantité de travail ou d'énergie nécessaire pour élever la température d'une livre d'eau d'un degré Fahrenheit.

**Buse** : Dispositif de dosage des fluides. La taille et l'usinage de l'orifice déterminent le modèle de pulvérisation, ainsi que le débit pour une pression donnée.

**Colonne d'eau** (si l'appareil en est équipé) : Mesure de la pression du gaz naturel ou du gaz de pétrole liquéfié par le déplacement de l'eau à l'intérieur du dispositif de mesure du manomètre.

**Contrôle de la température** : Dispositif qui contrôle la température de l'eau. La commande de température réglable (si l'appareil en est équipé) permet à l'opérateur d'adapter la température aux besoins de nettoyage. Ne réglez jamais la commande au-dessus de 195°F. Le brûleur s'éteint automatiquement si un débit d'eau insuffisant dans le serpentin du brûleur entraîne une élévation de la température au-delà du réglage.

**CU** : Unités de nettoyage. Le débit en GPM multiplié par PSI est égal à CU.

**Dispositif anti-retour** : Empêche le retour de l'eau du laveur sous pression dans un système d'eau potable.

**Ensemble de la lance à pression** : Ensemble de pièces comprenant le pistolet, la lance et la buse.

**GPM** : Gallons par minute. Unité de mesure du débit d'eau.

**Horomètre** (si l'appareil en est équipé) : Un dispositif de chronométrage à affichage analogique ou numérique qui enregistre le nombre d'heures de fonctionnement du moteur du laveur sous pression au cours de sa durée de vie. Utilisez cette information pour les intervalles d'entretien préventif.

**Huile pour pompe à haute pression** : Un lubrifiant qui est spécifiquement conçu pour être utilisé à l'intérieur d'une pompe à eau haute pression. L'huile préférée est l'huile de carter de pompe SIMPSON® Premium. Si cette huile n'est pas disponible, vous pouvez utiliser de l'huile SAE 15W-40. Reportez-vous à la section sur l'entretien de la pompe de ce manuel pour connaître les intervalles d'entretien de votre pompe.

**Interrupteur de débit** : Un interrupteur qui réagit aux changements de débit d'eau. L'écoulement de l'eau déplace un aimant qui actionne un interrupteur à lames ou un micro-interrupteur. L'interrupteur contrôle la tension du solénoïde de carburant dans le système de brûleur.

**Lance** : Il s'agit de la rallonge reliant le pistolet au connecteur rapide de la buse.

**Mode dérivation** : Permet à l'eau de recirculer à l'intérieur de la pompe lorsque la gâchette du pistolet n'est pas actionnée. Cette fonctionnalité permet à l'opérateur de relâcher la gâchette du pistolet et de se repositionner sans avoir à éteindre le moteur entre les actions de nettoyage. **REMARQUE** : Ne laissez jamais l'appareil fonctionner en mode dérivation pendant plus de deux minutes.

**Moteur à essence** (si l'appareil en est équipé) : Un moteur à combustion interne qui utilise de l'essence comme carburant pour créer une force de rotation pour le fonctionnement mécanique.

**Moteur diesel** (si l'appareil en est équipé) : Un moteur à allumage par compression qui utilise du carburant diesel pour créer une force de rotation pour le fonctionnement mécanique.

**Pile de 12 volts CC** (si l'appareil en est équipé) : La pile de 12 volts fait fonctionner le système de démarrage électrique du moteur. Une fois le moteur démarré, le système charge la pile et fait fonctionner le brûleur (le cas échéant). La pile de 12 volts devra être remplacée régulièrement pour garantir un rendement constant.

**Pistolet de pulvérisation** : Le dispositif que l'on tient pour contrôler la direction et le débit de l'eau à haute pression.

**Pompe** : Dispositif mécanique qui accélère le mouvement de l'eau dans le système de laveur sous pression. La pression est créée par le débit restrictif de la buse.

**Pressostat** : Un interrupteur électrique qui s'active à des niveaux de pression prédéfinis grâce à la fonction d'un diaphragme. Le pressostat est utilisé pour contrôler le solénoïde de carburant dans le système de brûleur.

**PSI** : Pounds per Square Inch (livres par pouce carré). Unité de mesure de la pression d'un fluide ou d'un gaz. Dépasser la pression maximale de fonctionnement peut entraîner des dommages à l'appareil, des **BLESSURES GRAVES** ou la **MORT**.

**Soupape de décharge** : Un dispositif mécanique de protection qui s'ouvre à l'atmosphère lorsque la pression du système dépasse un niveau prédéfini. **NE JAMAIS** altérer ou modifier la soupape de décharge de quelque manière que ce soit. Il pourrait en résulter des **BLESSURES GRAVES** ou la **MORT**.

**Soupape de décharge** : Un dispositif mécanique qui s'ajuste en fonction du débit et de la pression du fluide qui le traverse. Dans un laveur sous pression, la soupape de décharge réachemine l'eau à travers la pompe lorsque la gâchette du pistolet est relâchée. Cela permet à l'eau de circuler dans la pompe sans que la pression ne s'accumule indûment. La soupape de décharge peut être utilisée comme dispositif de régulation de la pression dans certaines situations.

**Soupape de décharge thermique (TRV)** : Dispositif de protection qui s'ouvre à l'atmosphère si la température dépasse un niveau prédéfini. La soupape de décharge est généralement située du côté de la sortie de la pompe. Si la température de l'eau augmente trop en raison de la recirculation, la soupape s'ouvre pour permettre à l'eau plus froide d'entrer dans la pompe. La soupape se referme ensuite.

**Système d'injection de produits chimiques** (si l'appareil en est équipé) : Mélange des nettoyeurs ou des solvants de nettoyage à l'eau pour améliorer l'efficacité du nettoyage.

**Tuyau haute pression** : Un tuyau en plastique ou en caoutchouc qui est fabriqué pour résister à la sortie haute pression d'un laveur sous pression. Ne réparez jamais un tuyau haute pression, remplacez toujours le tuyau endommagé par un tuyau dont la pression est identique ou supérieure et qui se trouve dans la plage de température de votre laveur sous pression.

# ASSEMBLAGE

Suivez les étapes décrites dans cette section pour assembler votre laveur sous pression. Si vous avez des questions concernant l'assemblage de votre laveur sous pression, veuillez avoir votre numéro de modèle et votre numéro de série à portée de main, puis contactez le service clientèle au 1 877 362-4271 ou par courriel à [cservice@fna-group.com](mailto:cservice@fna-group.com).



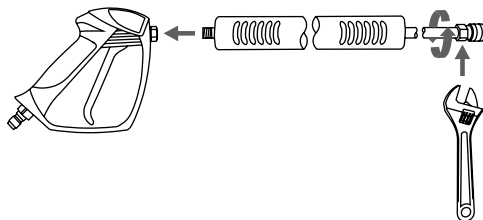
**AVERTISSEMENT:**

**BLESSURE PAR INJECTION**

Les hautes pressions créées par un laveur sous pression peuvent provoquer des blessures par injection de liquide, des lacerations graves, des amputations et/ou la mort. Pour éviter ces dangers, orientez toujours le pistolet de pulvérisation et la lance dans une direction sécuritaire et ne tentez jamais de toucher une fuite dans un tuyau ou un raccord sous haute pression.

## ASSEMBLER LE PISTOLET DE PULVÉRISATION

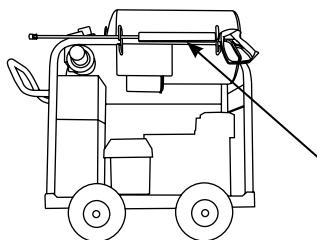
Enfilez la lance à la main dans le sens des aiguilles d'une montre dans le pistolet. Assurez-vous de ne pas croiser les filetages du pistolet et de la lance. À l'aide d'une clé à molette, serrez la lance en plaçant la clé sur les méplats du raccord rapide de la buse.



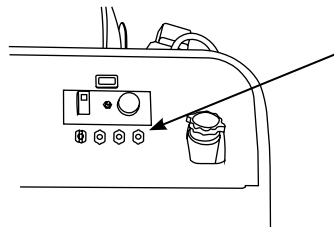
**AVERTISSEMENT!** Les filetages du coupleur de la lance et du pistolet peuvent être facilement croisés, ce qui entraîne un assemblage incorrect. Un assemblage incorrect du pistolet et de la lance peut entraîner des blessures. Ne pas utiliser si les filetages du coupleur du pistolet et/ou de la lance sont croisés.

## ORGANISER LES ACCESSOIRES

1. Placez le pistolet et la lance sur les supports.



2. Poussez les buses dans les supports d'œillet en caoutchouc.



Remarque : L'appareil illustré ci-dessus est utilisé à titre d'exemple. L'aspect et l'emplacement des accessoires peuvent varier d'un appareil à l'autre.

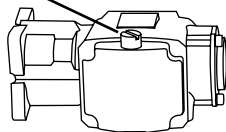


## AJOUT DU BOUCHON DE RENIFLARD DE LA POMPE (s'il y a lieu)

Le bouchon d'expédition ROUGE, situé sur le dessus de la pompe, doit être remplacé par un bouchon de reniflard NOIR. Le bouchon est facile à remplacer en suivant les étapes suivantes :

1. À l'aide d'un tournevis à lame, retirez le bouchon d'expédition ROUGE du haut de la pompe.
2. Enfillez à la main le bouchon de reniflard NOIR dans la pompe.
3. Serrez le bouchon avec vos doigts.

Bouchon d'expédition  
ROUGE



Bouchon de reniflard NOIR

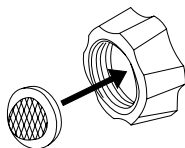
---

## RACCORDEMENT DES TUYAUX

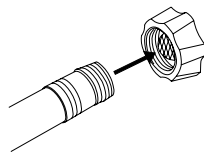
---

Avant de raccorder un tuyau d'alimentation en eau, assurez-vous que l'alimentation en eau est capable de fournir une source ininterrompue d'eau propre et froide à un débit minimum de 5 gallons par minute (GPM) et 20 livres par pouce carré (PSI) de pression. Une fois que l'alimentation en eau est assurée, suivez les instructions ci-dessous pour connecter le tuyau d'alimentation en eau et le tuyau haute pression au laveur sous pression.

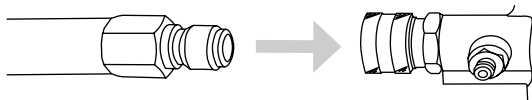
1. Vérifiez que la grille d'entrée est exempte de toute saleté ou débris et qu'elle est en place avec le côté convexe vers l'extérieur.



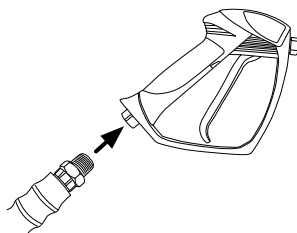
2. Ouvrez l'alimentation en eau et faites-la fonctionner pendant 30 secondes pour purger les débris du tuyau d'alimentation. Coupez ensuite l'arrivée d'eau et vissez le boyau d'eau dans l'entrée de la pompe.



3. Tout en tirant vers l'arrière sur le collier de sortie de la pompe, insérez le raccord du tuyau et relâchez le collier. Tirez doucement sur le tuyau pour vous assurer qu'il est bien verrouillé.



4. Enfillez le tuyau haute pression sur le pistolet.



# CARACTÉRISTIQUES DE FONCTIONNEMENT

## **IMPORTANT!**

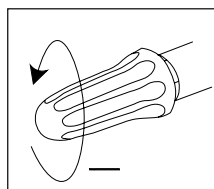
Familiarisez-vous avec ces caractéristiques avant d'utiliser le laveur sous pression.

## **RÉGLAGES DE PRESSION** (si l'appareil est équipé)

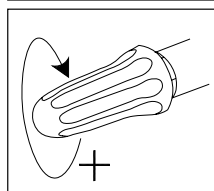
Le réglage de la pression est préréglé en usine pour obtenir une pression et un nettoyage optimaux. Si vous devez réduire la pression, vous pouvez le faire de la manière suivante.

1. Éloignez-vous de la surface à nettoyer. Plus vous tenez la buse éloignée de la surface, plus la pression sera faible.
2. Utilisez la buse la plus large possible. Plus le jet d'eau est large, plus la pression est faible.
3. Ce laveur sous pression peut être équipé d'une fonction supplémentaire permettant d'ajuster le réglage de la pression

A. Pour diminuer la pression, tournez le bouton de la soupape de décharge dans le sens inverse des aiguilles d'une montre jusqu'à la pression souhaitée.



B. Pour ramener la pression de la pompe aux réglages d'usine, tournez le bouton de la soupape de décharge dans le sens des aiguilles d'une montre jusqu'à ce qu'il s'arrête.



**AVIS**

**PROCÉDEZ AU RÉGLAGE AVEC PRÉCAUTION**

Ne serrez pas trop le bouton de contrôle de la pression. S'il est trop serré, le bouton PEUT se casser et entraîner une perte immédiate de la pression de l'eau, ainsi que des réparations coûteuses de l'appareil.




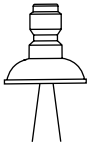
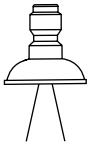


**AVIS**

**DOMMAGES DE PULVÉRISATION**

La pulvérisation sous haute pression peut endommager les plantes et autres surfaces. Pour éviter de causer des dommages, couvrez les plantes avant de pulvériser à proximité, consultez le tableau Sélection de la buse dans ce guide pour connaître la sélection de la buse correcte et testez les surfaces avant de pulvériser pour vérifier si elles sont suffisamment robustes pour supporter une pulvérisation sous haute pression.

## COMMENT UTILISER LA LANCE D'ARROSAGE

Les buses de la lance d'arrosage sont rangées dans le porte-buse situé sur le panneau. Les couleurs sur le panneau identifient l'emplacement de la buse et le modèle de pulvérisation. Reportez-vous au tableau ci-dessous pour choisir la buse adaptée au travail à effectuer.

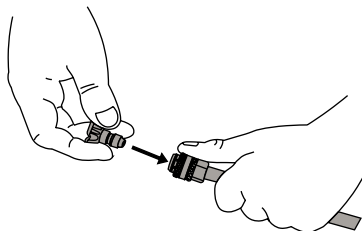
COULEUR DE LA BUSE	MODÈLE DE PULVÉRISATION	UTILISATIONS	SURFACES*
ROUGE 0°		Puissante pointe pour le nettoyage ponctuel des surfaces dures et non peintes ou pour les endroits difficiles d'accès.	Métal non peint ou béton. NE PAS utiliser sur le bois.
JAUNE 15°		Nettoyage intense des surfaces dures et non peintes.	Grilles, allées, trottoirs en béton ou en brique, brique ou stuc non peints
VERT 25°		Buse de nettoyage standard pour la plupart des applications.	Outils de chantier, trottoirs, meubles de jardin, revêtement non peint, stuc, gouttières et avant-toits, surfaces en béton et brique
BLANC 40°		Nettoyage des surfaces peintes ou délicates.	Revêtements pour automobiles, véhicules récréatifs, bateaux, bois, briques peintes, stucs peints, vinyle et surfaces peintes
NOIR (SAVON)		Applique les solutions de nettoyage.	La pulvérisation à basse pression est sans danger pour toutes les surfaces. Vérifiez toujours la compatibilité de la solution de nettoyage avant de l'utiliser.

**\*AVIS!** La pulvérisation à haute pression de votre nettoyeur haute pression peut endommager des surfaces telles que le bois, le verre, la peinture automobile, les bandes et les garnitures automobiles, ainsi que des objets délicats tels que les fleurs et les arbustes. Avant de pulvériser, vérifiez l'objet à nettoyer pour vous assurer qu'il est suffisamment solide pour résister aux dommages causés par le jet de force.

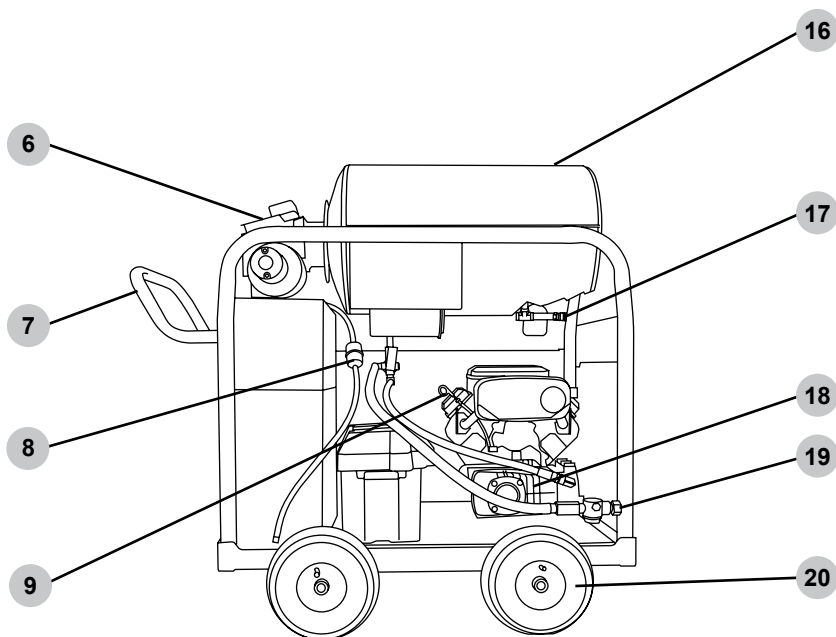
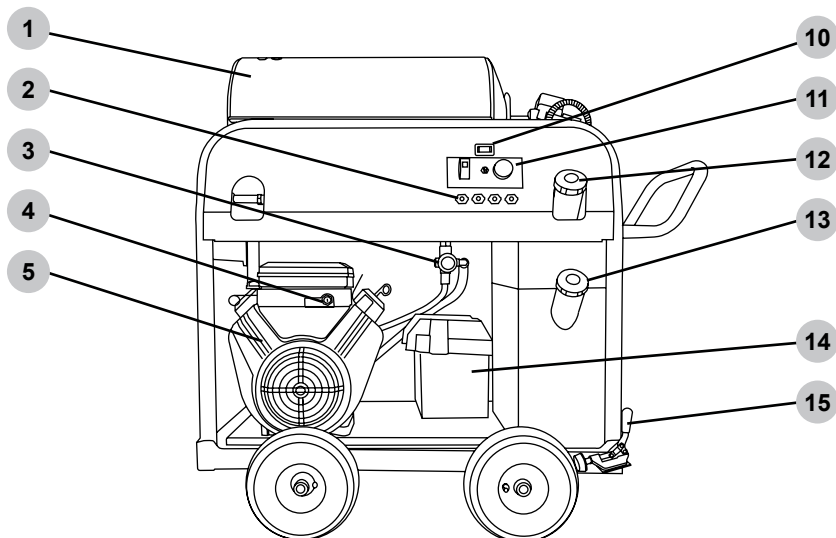
## Installation de la buse

Si le moteur est en marche, assurez-vous que le verrou de la gâchette est en position verrouillée avant de retirer et d'installer les buses.

Pour placer une buse dans la lance d'arrosage, tirez le raccord rapide vers l'arrière, insérez la buse, puis relâchez le raccord pour qu'il se remette en place. Une fois installée, tirez sur la buse pour vous assurer qu'elle est bien fixée.

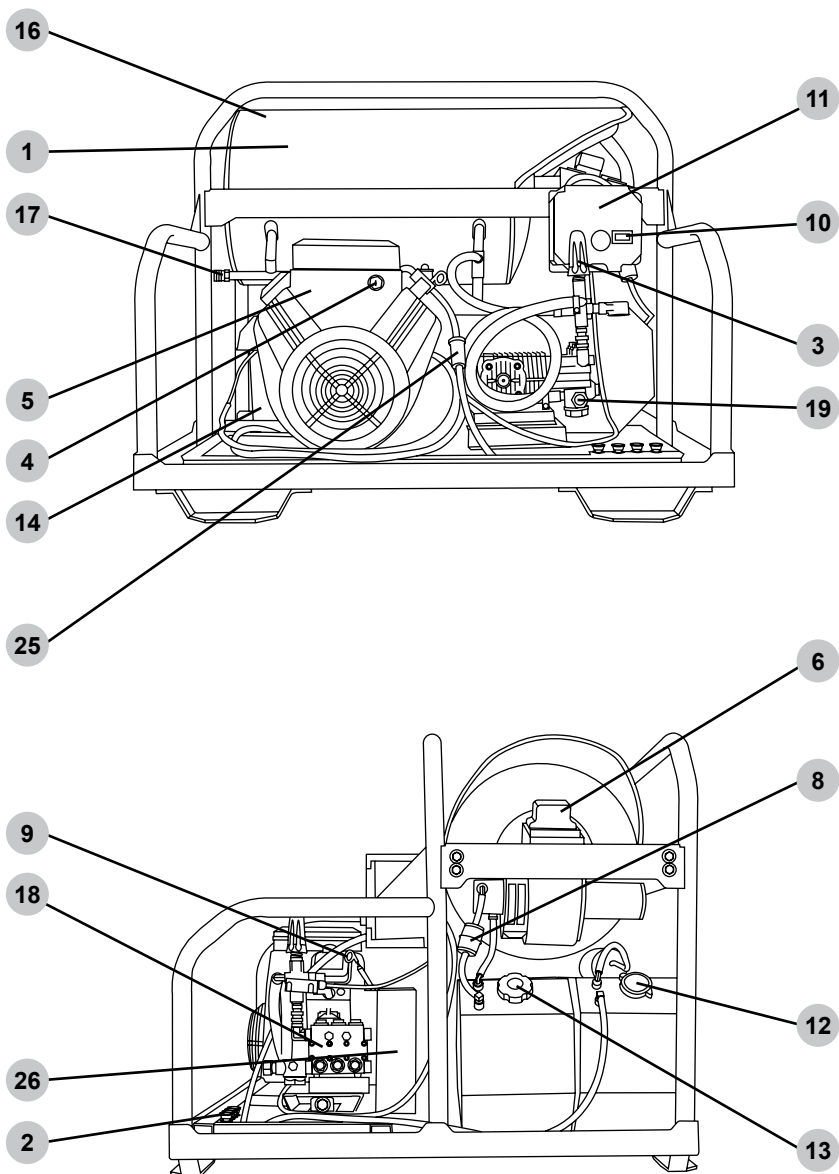


# EMPLACEMENT DES COMPOSANTS



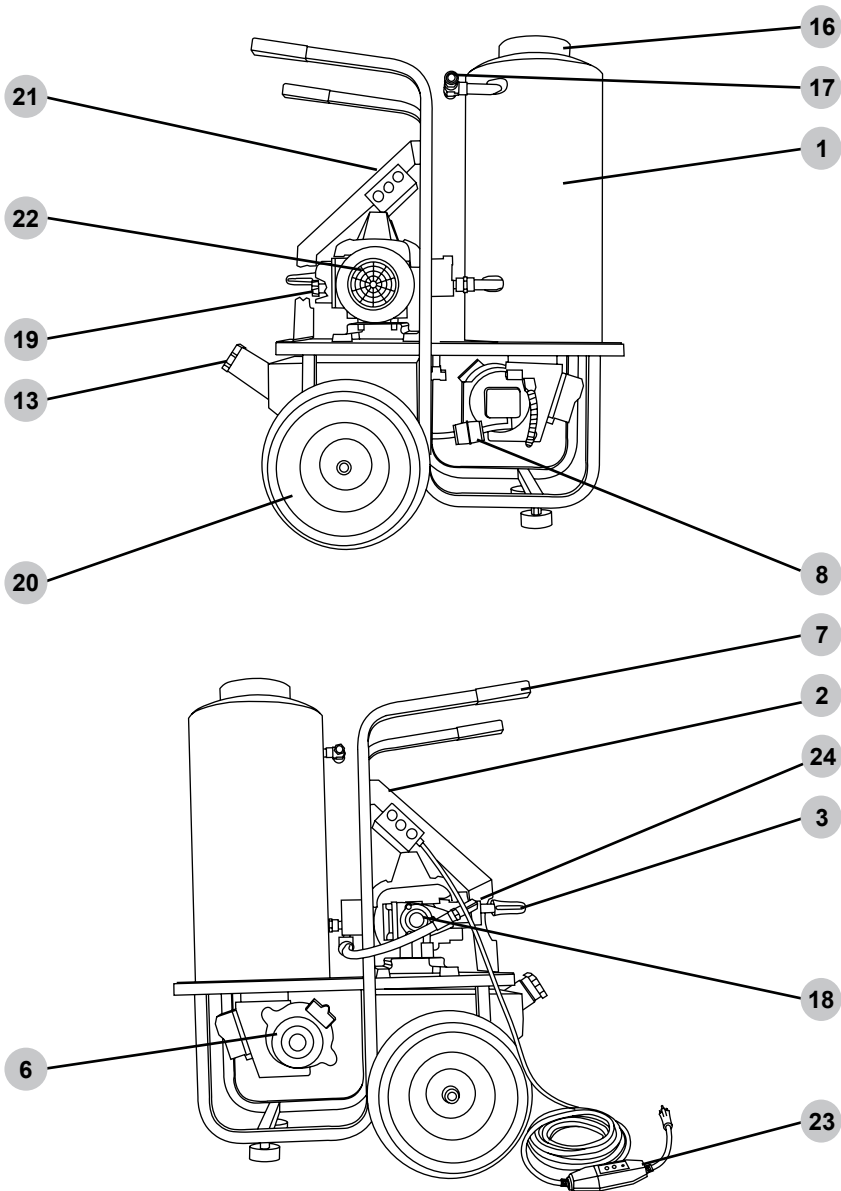
## LAVEUR SOUS PRESSION À MOTEUR

Ces illustrations ont pour but de vous familiariser avec les pièces et leur emplacement. Les options et leur emplacement peuvent varier d'un appareil à l'autre.



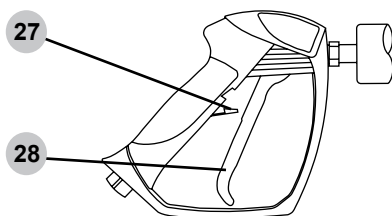
## LAVEUR SOUS PRESSION À MOTEUR, MONTÉ SUR PATINS

Ces illustrations ont pour but de vous familiariser avec les pièces et leur emplacement. Les options et leur emplacement peuvent varier d'un appareil à l'autre.



## LAVEUR SOUS PRESSION À MOTEUR ÉLECTRIQUE

Ces illustrations ont pour but de vous familiariser avec les pièces et leur emplacement. Les options et leur emplacement peuvent varier d'un appareil à l'autre.



1. Boîtier du brûleur
2. Porte-buses
3. Soupape de décharge, voir page **22**.
4. Démarrage du moteur à l'aide de la clé (si l'appareil en est équipé). Reportez-vous au manuel d'utilisation du moteur pour en connaître l'emplacement et le fonctionnement.
5. Moteur. Reportez-vous au manuel d'utilisation du moteur pour les instructions d'utilisation.
6. Ensemble du brûleur à huile
7. Poignée
8. Filtre à carburant pour brûleur diesel
9. Jauge d'huile Reportez-vous au manuel d'utilisation du moteur pour en connaître l'emplacement.
10. Horomètre, voir page **44**.
11. Panneau de commande du brûleur, voir pages **42**.
12. Remplissage du réservoir de carburant du moteur, voir page **30** pour l'essence ou page **33** pour le diesel.
13. Remplissage du réservoir de carburant du brûleur, voir page **42**.
14. Boîtier de pile, voir page **33**.
15. Verrouillage des roues
16. Orifice(s) d'échappement du brûleur.
17. Sortie haute pression, voir page **21**.
18. Pompe
19. Entrée et filtre d'eau basse pression, voir page **21**.
20. Pneu
21. Interrupteurs ON/OFF de la pompe et du brûleur, voir page **40**.
22. Moteur électrique
23. Cordon d'alimentation électrique avec protection DDFT en ligne, voir page **41**.
24. Injecteur de savon intégré, voir page **28**.
25. Filtre à essence
26. Garde-courroie
27. Verrouillage de la gâchette du pistolet de pulvérisation
28. Gâchette du pistolet de pulvérisation

# COMMENT UTILISER LES SOLVANTS DE NETTOYAGE

(si l'appareil en est équipé)

L'application de solvants et de savons de nettoyage est une opération à basse pression. **REMARQUE** : N'utilisez que des solvants, des détergents et des savons conçus pour être utilisés dans les laveurs sous pression.

N'utilisez **PAS** d'eau de Javel, de solutions caustiques ou inflammables!

1. Assurez-vous que l'injecteur de savon extérieur est connecté à la sortie haute pression du laveur. (Fig. 1)

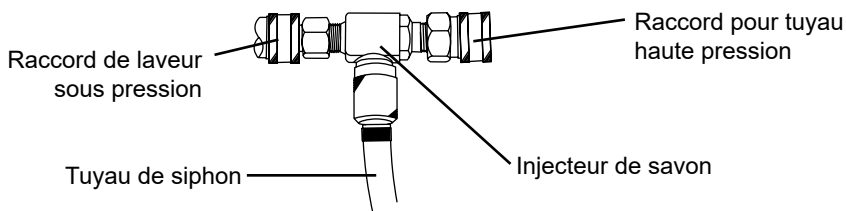
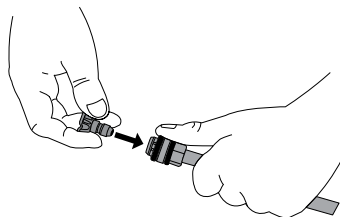


Fig. 1

2. Placez l'extrémité filtrée du tuyau de siphon dans le conteneur contenant le détergent de nettoyage.

3. Si le moteur est en marche, assurez-vous que le verrou de la gâchette est en position verrouillée avant de retirer et d'installer les buses.

4. Insérez la buse noire à basse pression dans le raccord rapide de la lance d'arrosage, voir la section **Comment utiliser la lance d'arrosage (page 20)** de ce manuel pour plus d'informations.



5. (Si l'appareil en est équipé), tournez la vanne de contrôle du savon dans le sens inverse des aiguilles d'une montre pour augmenter le débit de savon et dans le sens des aiguilles d'une montre pour le diminuer.

6. Après avoir utilisé des produits de nettoyage, placez le tuyau de siphon des produits chimiques dans un conteneur d'eau propre. Faites couler l'eau propre dans le système d'injection pour le rincer complètement. Si vous ne le rincez pas complètement, le système d'injection peut se boucher à cause du détergent séché.



**AVIS**

**LIQUIDES VOLATILS**

Le lavage sous pression avec des liquides volatils, inflammables ou corrosifs peut endommager le laveur sous pression et causer un incendie ou une explosion entraînant des blessures graves et/ou la mort. Pour éviter ces dangers, utilisez exclusivement des détergents et substances chimiques approuvés, ne tentez pas de laver sous pression avec des liquides volatils, inflammables ou corrosifs et n'utilisez JAMAIS de chlore.



# PRÉPARATION DU MOTEUR



## AVIS

### REEMPLIR LE MOTEUR AVANT L'UTILISATION

Le moteur est expédié de l'usine sans huile. Utiliser le moteur sans huile peut provoquer de graves dommages au moteur et annuler la garantie. Pour éviter d'endommager le moteur et d'annuler la garantie, remplissez le moteur avec de l'huile du type recommandé avant de le démarrer.



## AVIS

### UTILISEZ L'HUILE MOTEUR CORRECTE

L'huile est un facteur majeur qui affecte la performance et la durée de service d'un moteur. Utiliser une huile incorrecte peut endommager le moteur et annuler la garantie. Pour éviter d'endommager le moteur et d'annuler la garantie, vérifiez et changez l'huile selon les besoins en utilisant l'huile moteur correcte.



## AVIS

### LISEZ LE MANUEL DU MOTEUR

Ce manuel est un guide d'utilisation du laveur sous pression et de ses composants. Le manuel d'utilisation du moteur contient toutes les informations dont vous avez besoin pour l'utilisation et l'entretien du moteur en toute sécurité. Lisez et comprenez le manuel d'utilisation du moteur avant de l'utiliser.

## MOTEUR À ESSENCE

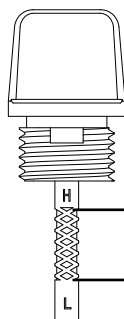
### Huile

Avant d'utiliser le laveur sous pression, vous devez remplir le moteur avec le type et la quantité corrects d'huile de lubrification. Lorsque vous vérifiez et remplissez le moteur d'huile, assurez-vous que le laveur sous pression est assis sur une surface plane.

Utilisez le manuel d'utilisation du moteur pour les étapes suivantes :

1. Retirez la jauge du moteur. Bien que le style puisse différer de celui illustré à droite, tous les modèles comportent des marques d'indication du niveau d'huile correct dans le carter.

2. Le manuel d'utilisation du moteur contient des informations importantes sur le niveau d'huile à utiliser en fonction des conditions d'utilisation. En règle générale, une huile moteur SAE 10W-30 API SG ou plus récente suffit pour la plupart des conditions d'utilisation. Si vous travaillez à des températures élevées ou dans des conditions très sales, consultez le manuel d'utilisation du moteur pour connaître les recommandations en matière d'huile.



Limite  
supérieure de  
l'huile

Limite inférieure  
de l'huile

3. Remplissez le carter avec le type et la quantité d'huile appropriés, NE PAS trop remplir. Placez la jauge dans le moteur, mais ne la vissez pas (le cas échéant). Retirez la jauge pour vérifier le niveau d'huile. Si le niveau est bas, ajoutez avec précaution une petite quantité d'huile, puis vérifiez à nouveau le niveau à l'aide de la jauge.

4. Une fois le niveau correct atteint, serrez à la main la jauge dans le corps du moteur.



# AVIS

## CAPTEUR DE NIVEAU D'HUILE BAS

Le détecteur de niveau d'huile bas (s'il est présent) arrête automatiquement le moteur si le niveau d'huile est inférieur à la limite sécuritaire. Pour éviter un arrêt inattendu, vérifiez régulièrement le niveau d'huile, remplissez jusqu'à la limite supérieure et utilisez toujours le moteur sur une surface plane.

## MOTEUR À ESSENCE

### Carburant

Il est impératif d'utiliser de l'essence fraîche (moins de 30 jours) avec un indice d'octane minimum de 87 et un taux d'alcool éthylique maximum de 10 %.

Ajoutez du carburant dans le laveur sous pression en procédant de la manière suivante :

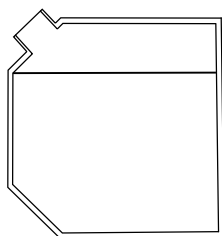
1. Vérifiez le carburant avec le moteur arrêté et le laveur sous pression sur une surface plane.
2. Retirez le bouchon du réservoir pour vérifier le niveau de carburant. Pour l'emplacement du bouchon du réservoir de carburant, consultez la section **EMPLACEMENT DES COMPOSANTS** de ce manuel.
3. Utilisez de l'essence sans plomb fraîche et propre avec un indice d'octane minimum de 87. Ne mélangez pas le carburant et l'huile ! Utilisez uniquement du carburant dont le taux d'alcool éthylique ne dépasse pas 10 %. Les carburants E15, E20 et E85 ne sont pas autorisés. **L'UTILISATION DE CES CARBURANTS PEUT ENDOMMAGER LE MOTEUR.**
4. Ne pas remplir le réservoir de carburant au-dessus du niveau de carburant maximum, pour permettre un espace pour l'expansion.
5. Remettez le bouchon du carburant en place. Ne faites jamais tourner le moteur ou le laveur sous pression sans que le(s) bouchon(s) de carburant ne soit(nt) installé(s).



**REGARDEZ AVANT DE POMPER!**

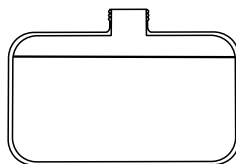
Pourcentage d'éthanol

<10% OK NO 15% - 30% - 85%



Niveau de carburant maximum

Réservoir monté sur châssis



Niveau de carburant maximum

Réservoir monté sur le moteur

REMARQUE : L'utilisation d'un stabilisateur de carburant (vendu séparément) lors du stockage de l'essence peut aider à prévenir les problèmes liés à l'essence mélangée à de l'éthanol et de l'alcool. Suivez toujours les instructions figurant sur la bouteille et mélangez soigneusement.



## REPLISSAGE DE CARBURANT

L'essence est hautement inflammable et ses vapeurs sont extrêmement explosives. Un incendie et des explosions peuvent causer des brûlures graves et/ou la mort. Tenez l'essence à l'écart des flammes, des étincelles et de toute autre source d'allumage. Remplissez le réservoir de carburant à l'extérieur dans un endroit bien aéré avec le moteur arrêté et froid. Essuyez l'essence renversée et laissez le moteur sécher avant de le démarrer. Gardez un extincteur à portée de la main pendant le remplissage de carburant. N'utilisez pas le moteur avec des fuites dans le circuit d'alimentation. N'entrez pas l'essence à proximité de matières inflammables.



## AVIS

### ESSENCE ANCIENNE

L'essence ancienne peut créer des dépôts qui bouchent le circuit de carburant, provoquant un démarrage difficile et une performance médiocre. Les dommages causés par l'essence ancienne ne sont pas couverts par la garantie. Pour réduire les dépôts, éviter les problèmes de performance associés et éviter des réparations dispendieuses, n'utilisez pas d'essence plus ancienne que 30 jours.



## AVIS

### MÉLANGES À BASE D'ALCOOL

L'utilisation d'essence contenant un mélange à base d'alcool supérieur à 10 % (E10) endommage le moteur. Les dommages causés par l'utilisation d'un mélange à base d'alcool à 15 % (E15), 85 % (E85) ou tout autre mélange d'alcool supérieur à 10 % (E10) ne sont pas couverts par la garantie. Pour éviter les dommages au moteur causés par un mélange d'alcool trop élevé, utilisez de l'essence à 10 % (E10) d'alcool au maximum.



## AVIS

### ADDITIFS D'ESSENCE

L'utilisation d'additifs de nettoyage du circuit de carburant peut endommager le moteur et les circuits de carburant. Les dommages causés par l'utilisation d'additifs de nettoyage du circuit de carburant ne sont pas couverts par la garantie. Pour éviter d'endommager le moteur et le circuit de carburant, n'utilisez pas d'additifs de nettoyage du circuit de carburant.



## AVIS

### ENTREPOSAGE DE L'ESSENCE

Il est important afin d'empêcher les dépôts de gomme de se former dans les pièces essentielles du circuit d'alimentation, comme le carburateur, le filtre du carburant, le tuyau du carburant ou le réservoir durant l'entreposage. Les carburants mélangés à l'alcool attirent l'humidité ce qui entraîne la séparation et la formation d'acides durant l'entreposage. Le carburant acide et les dépôts de gomme peuvent endommager le circuit de carburant du moteur lorsqu'il est entreposé. Les dommages causés par l'utilisation de carburant ancien, éventé ou contaminé ne sont pas couverts par la garantie.



# AVIS

## LISEZ LE MANUEL DU MOTEUR

Ce manuel est un guide d'utilisation du laveur sous pression et de ses composants. Le manuel d'utilisation du moteur contient toutes les informations dont vous avez besoin pour l'utilisation et l'entretien du moteur en toute sécurité. Lisez et comprenez le manuel d'utilisation du moteur avant de l'utiliser.

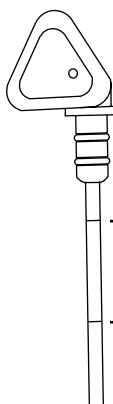
### MOTEUR DIESEL

#### Huile

Avant d'utiliser le laveur sous pression, vous devez remplir le moteur avec le type et la quantité corrects d'huile de lubrification. Lorsque vous vérifiez et remplissez le moteur d'huile, assurez-vous que le laveur sous pression est assis sur une surface plane.

Utilisez le manuel d'utilisation du moteur pour les étapes suivantes :

1. Retirez la jauge du moteur. Bien que le style puisse différer de celui illustré à droite, tous les modèles comportent des marques d'indication du niveau d'huile correct dans le carter.



**Limite  
supérieure de  
l'huile**

**Limite inférieure  
de l'huile**

2. Le manuel d'utilisation du moteur contient des informations importantes sur le niveau d'huile à utiliser en fonction des conditions d'utilisation. En règle générale, une huile moteur SAE 15W-40 ou ISO 100 suffit dans la plupart des conditions d'utilisation. Si vous travaillez à des températures élevées ou dans des conditions très sales, consultez le manuel d'utilisation du moteur pour connaître les recommandations en matière d'huile.

3. Remplissez le carter avec le type et la quantité d'huile appropriés, NE PAS trop remplir. Placez la jauge dans le moteur, mais ne la vissez pas (le cas échéant). Retirez la jauge pour vérifier le niveau d'huile. Si le niveau est bas, ajoutez avec précaution une petite quantité d'huile, puis vérifiez à nouveau le niveau à l'aide de la jauge.

4. Une fois le niveau correct atteint, assurez-vous que la jauge est bien serrée dans le bloc moteur.



# AVIS

## CAPTEUR DE NIVEAU D'HUILE BAS

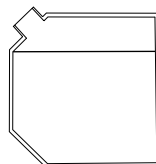
Le détecteur de niveau d'huile bas (s'il est présent) arrête automatiquement le moteur si le niveau d'huile est inférieur à la limite sécuritaire. Pour éviter un arrêt inattendu, vérifiez régulièrement le niveau d'huile, remplissez jusqu'à la limite supérieure et utilisez toujours le moteur sur une surface plane.

## MOTEUR DIESEL

### Carburant

Ajoutez du carburant dans le laveur sous pression en procédant de la manière suivante:

1. Vérifiez le carburant avec le moteur arrêté et le laveur sous pression sur une surface plane.
2. Retirez le bouchon du réservoir pour vérifier le niveau de carburant. Pour l'emplacement du bouchon du réservoir de carburant, consultez la section **EMPLACEMENT DES COMPOSANTS** de ce manuel.
3. Utilisez du carburant diesel n° 2 frais et de haute qualité pour le moteur. Remplissez le réservoir jusqu'à un maximum de 1 po en dessous du goulot de remplissage pour laisser de la place à l'expansion.
4. Remettez le bouchon du carburant en place. Ne faites jamais tourner le moteur ou le laveur sous pression sans que le(s) bouchon(s) de carburant ne soit(nt) installé(s).



Niveau de carburant maximum

---

## BRANCHEMENTS DE LA PILE (si l'appareil en est équipé)

---

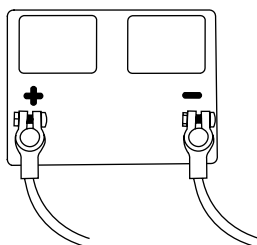


**! DANGER:**

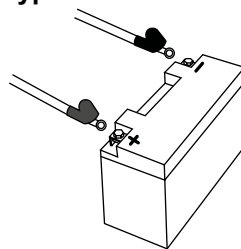
**RISQUE DE BRÛLURES PAR ACIDE**

Le nettoyeur haute pression n'est pas livré avec une batterie. Vous devez installer une batterie de taille groupe 24 -OR- U1 avant d'utiliser le nettoyeur haute pression. Consultez votre nettoyeur haute pression pour déterminer la taille requise comme indiqué ci-dessous.

### Style de batterie Groupe 24



### Type de batterie U1



1. Retirer le couvercle du boîtier de batterie (le cas échéant).
2. Placez soigneusement la batterie dans le boîtier de batterie ou le support de batterie.
3. Placez le câble rouge positif (+) sur la borne positive (+) de la pile. Serrez-le.
4. Placez le câble noir négatif (+-) sur la borne négative (-) de la pile. Serrez-le.
5. Serrer le support de batterie ou mettre le couvercle sur le boîtier de batterie.

**AVERTISSEMENT!** Retirez toujours le câble noir négatif (-) de la pile en premier et branchez toujours le câble noir négatif (-) de la pile en dernier.

# PURGE DE L'AIR DE LA POMPE



## AVIS

### PURGE DE LA POMPE

L'utilisation d'une pompe de laveur sous pression sans eau endommage sévèrement les joints de la pompe ainsi que d'autres composants internes. Pour éviter ce risque, vérifiez de l'alimentation en eau est ininterrompue au moins 5 GPM à 20 PSI et purgez toujours l'air de la pompe de votre laveur sous pression avant de démarrer le moteur.



## AVERTISSEMENT:

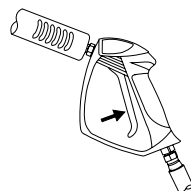
### BLESSURE PAR INJECTION

Les hautes pressions créées par un laveur sous pression peuvent provoquer des blessures par injection de liquide, des lacérations graves, des amputations et/ou la mort. Pour éviter ces dangers, orientez toujours le pistolet de pulvérisation et la lance dans une direction sécuritaire et ne tentez jamais de toucher une fuite dans un tuyau ou un raccord sous haute pression.

La pompe de laveur sous pression est conçue pour fonctionner avec de l'eau qui la traverse. L'eau refroidit les composants internes de la pompe et lubrifie les joints.

Faire fonctionner la pompe du laveur sous pression, même pour une courte durée, sans que l'eau ne coule, endommagera gravement la pompe. Les dommages résultant d'un fonctionnement à sec de la pompe ne sont pas couverts par la garantie. Votre laveur sous pression est un investissement pour votre avenir, traitez-le bien.

1. Branchez le tuyau haute pression à la fois à la sortie du laveur sous pression et au pistolet. Assurez-vous que le tuyau n'est pas enroulé et qu'il n'est pas plié.
2. Raccordez le tuyau d'arrosage à la source d'eau. N'utilisez que de l'eau froide pour le laveur sous pression. Mettez l'eau en marche et laissez-la couler pendant une trentaine de secondes pour éliminer les débris et l'air piégé.
3. Fermez la source d'eau. Assurez-vous que la grille d'entrée d'eau est en place et exempte de débris, puis branchez le tuyau d'arrosage à l'entrée du laveur sous pression.
4. Ouvrez à nouveau la source d'eau. Assurez-vous que l'eau ne s'écoule pas des joints du tuyau d'arrosage. Si c'est le cas, fermez la source d'eau, débranchez le tuyau et remplacez les joints en caoutchouc si nécessaire.
5. La lance étant dirigée à l'écart du laveur sous pression et de toute personne, appuyez sur la gâchette et maintenez-la enfoncée jusqu'à ce que tout l'air emprisonné soit éliminé du système. Engagez le verrouillage de la gâchette une fois l'opération terminée.
6. Une fois de plus, assurez-vous qu'aucun des tuyaux ou de leurs raccords ne fuit. Ne faites JAMAIS fonctionner le laveur sous pression avec des tuyaux qui fuient!



# LISTE DE CONTRÔLE DE FONCTIONNEMENT

## Emplacement

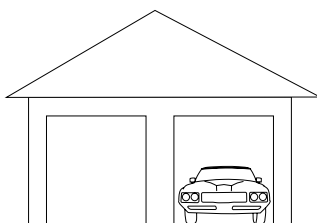
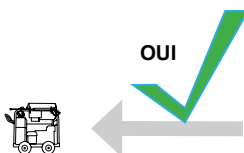
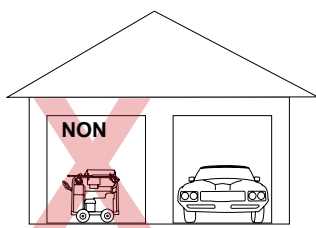
Placez le laveur sous pression sur une surface plane à l'extérieur dans un endroit bien ventilé avant de l'utiliser. Gardez tous les matériaux inflammables à au moins cinq pieds (1,5 mètres) de tous les côtés du produit.

- N'utilisez jamais le laveur sous pression à l'intérieur d'une maison, d'un garage ou de tout autre type d'enceinte, même si les portes et les fenêtres sont ouvertes. Faites fonctionner le moteur à une distance d'au moins à 20 pieds (6 mètres) des fenêtres, portes et aérateurs. Tenez compte soigneusement du sens du vent et des courants d'air lorsque vous utilisez ce laveur à pression à l'extérieur, pour éviter d'inhaler les gaz d'échappement du moteur.
- En suivant les instructions et les recommandations du fabricant, installez des avertisseurs de monoxyde de carbone fonctionnant sur piles dans tout bâtiment occupé à proximité du moteur en marche.
- Si vous souffrez de maux de tête, de nausées, de vertiges, de somnolence ou de faiblesse pendant que le laveur sous pression est en marche, allez à l'air frais et consultez immédiatement un médecin.



## VAPEURS TOXIQUES

Les gaz d'échappement du moteur contiennent du monoxyde de carbone, un gaz inodore, incolore et toxique. Faire fonctionner un moteur à l'intérieur tue en quelques minutes. N'utilisez jamais ce produit à l'intérieur d'une maison, d'un garage ou de tout autre type de bâtiment fermé, même avec les portes et fenêtres ouvertes. Faites fonctionner le moteur à une distance d'au moins à 20 pieds (6 mètres) des fenêtres, portes et aérateurs. Tenez compte soigneusement du sens du vent et des courants d'air lorsque vous utilisez ce produit à l'extérieur, pour éviter d'inhaler les gaz d'échappement du moteur. Utilisez toujours un détecteur de monoxyde de carbone dans des bâtiments occupés, à proximité du moteur.



## Fonctionnement en haute altitude (moteur à essence uniquement)

Ce moteur aura une performance du moteur et un contrôle des émissions appropriés lorsqu'il est utilisé à ou sous une altitude de 5 000 pieds (1 524 mètres). Ce moteur requiert un ensemble haute altitude pour le carburateur afin d'assurer une performance du moteur et un contrôle des émissions appropriés lorsqu'il est utilisé au-dessus de 5 000 pieds (1 524 mètres). Utiliser l'outil ayant la mauvaise configuration de moteur au-dessus de 5 000 pieds (1 524 mètres). peut augmenter ses émissions et réduire l'efficacité du carburant et le rendement. Pour obtenir un ensemble de carburateur haute altitude, contactez le centre de service agréé le plus proche.



**AVIS**

**ALTITUDE**

L'utilisation du moteur avec un kit d'injection haute altitude pour le carburateur en-dessous de 1 524 mètres (5 000 pieds) peut causer la surchauffe du moteur. Surchauffer le moteur peut l'endommager sérieusement. Pour éviter ce risque, vérifiez que le kit de carburateur correct est installé et que le mélange air/carburant est réglé correctement pour votre altitude.

## Conditions de fonctionnement

Avant chaque utilisation, vérifiez s'il y a des pièces desserrées ou endommagées et toute autre condition pouvant affecter l'utilisation appropriée. Réparez ou remplacez immédiatement toutes les pièces endommagées et/ou défectueuses. Gardez toujours tous les dispositifs de protection en place et en bon état de fonctionnement. Pour des raisons de sécurité, le fabricant recommande que tous les entretiens et réparations soient effectués par un centre de service agréé.

Avant de démarrer le moteur, enlevez toute saleté et tout débris excessifs des événements de refroidissement, de l'échappement et des zones du démarreur manuel. Utilisez toujours le laveur sous pression sur une surface plane et ne déplacez ou ne basculez jamais le laveur sous pression en cours d'utilisation. N'utilisez le laveur sous pression que pour l'usage auquel il est destiné. Si vous avez des questions sur l'utilisation appropriée de votre laveur sous pression, veuillez communiquer avec le service à la clientèle au 1 877 362-4271 ou à [cservice@fna-group.com](mailto:cservice@fna-group.com).



**AVERTISSEMENT:**

**UTILISATION PAR DES PERSONNES NON FORMÉES**

Les adultes non formés et les enfants peuvent subir de graves blessures ou la mort s'ils sont autorisés à utiliser ou à jouer avec un laveur sous pression en fonctionnement. Pour éviter ces dangers, veillez à ce quiconque utilisant le laveur sous pression reçoive les instructions adéquates, comprenne le fonctionnement sécuritaire et lise le manuel de l'utilisateur avant d'utiliser ce produit. Ne laissez pas les enfants utiliser le laveur sous pression sans supervision parentale. Gardez les enfants et les animaux domestiques à l'écart du laveur sous pression lorsqu'il fonctionne. Éteignez toujours le laveur sous pression avant de quitter la zone.





**AVERTISSEMENT:**

## **INSPECTER AVANT D'UTILISER**

Le fait de ne pas inspecter ce produit avant de l'utiliser peut créer une situation dangereuse entraînant des dommages au produit, des blessures graves et/ou la mort. Pour éviter ces dangers, inspectez le laveur sous pression avant chaque utilisation. Vérifiez si des pièces sont desserrées ou endommagées, les signes de fuites d'huile ou de carburant, si des protections sont manquantes et toute autre condition susceptible d'affecter l'utilisation appropriée. Réparez ou remplacez toutes les pièces endommagées ou défectueuses et maintenez les protections de sécurité en place et en bon état de fonctionnement avant d'utiliser le laveur sous pression.



**AVERTISSEMENT:**

## **BLESSURE PAR INJECTION**

Les hautes pressions créées par un laveur sous pression peuvent provoquer des blessures par injection de liquide, des lacérations graves, des amputations et/ou la mort. Pour éviter ces dangers, orientez toujours le pistolet de pulvérisation et la lance dans une direction sécuritaire et ne tentez jamais de toucher une fuite dans un tuyau ou un raccord sous haute pression.



**ATTENTION:**

## **SURFACES CHAUDES**

Un moteur en fonctionnement produit de la chaleur. Les surfaces du moteur, d'autres composants connexes et les gaz d'échappement du moteur chauffent suffisamment pour provoquer des brûlures légères à modérées ou pour mettre le feu à des matières par contact. Pour éviter les brûlures, ne touchez pas les surfaces du moteur ni les gaz d'échappement et laissez le moteur refroidir complètement avant de le déplacer, le toucher ou l'entretenir. Pour éviter un incendie, tenez toutes les matières inflammables à distance d'au moins cinq pieds de tous les côtés du produit.



**AVERTISSEMENT:**

## **PIÈCES MOBILES**

Ce produit contient de nombreuses pièces mobiles à haute vitesse. Les pièces mobiles peuvent causer des écrasements, des fractures, des lacérations graves et/ou des amputations traumatiques. Pour éviter les blessures, ne placez jamais vos doigts, mains, pieds ou autre partie du corps à proximité du moteur en marche. N'utilisez jamais le produit avec les capots, les coiffes ou autres protections retirés. Ne portez pas de vêtements amples, de cordon pendant ou autres objets pendants susceptibles de s'accrocher dans les pièces mobiles en fonctionnement. Attachez vos cheveux longs et retirez vos bijoux avant l'utilisation.



**AVERTISSEMENT:**

## **RÉTRACTION RAPIDE**

Le rétraction rapide (également appelée recul) du cordon de démarrage à enrouleur du moteur tire votre main et votre bras vers le moteur plus rapidement que vous ne pouvez lâcher la poignée, provoquant des foulures, fractures, lacérations et/ou amputations traumatiques. Le recul est souvent dû à une défaillance interne du moteur et/ou à des techniques de démarrage inappropriées. Pour éviter le recul, respectez le calendrier d'entretien approprié, les instructions de démarrage et faites effectuer les réparations par un centre de service agréé.

# DÉMARRAGE DU MOTEUR



**AVERTISSEMENT:**

## LISTE DE CONTRÔLE DE FONCTIONNEMENT

Tenter de démarrer le moteur ou d'utiliser le laveur sous pression incorrectement peut endommager le moteur et/ou le laveur sous pression et provoquer des blessures graves ou la mort. Pour éviter ces risques, ne manquez pas de lire, comprendre et respecter les étapes décrites dans la section LISTE DE CONTRÔLE DE FONCTIONNEMENT du manuel de l'utilisateur avant de démarrer le moteur et de suivre toutes les recommandations pour l'utilisation correcte du laveur sous pression.



**AVIS**

## DOMMAGES DE LA POMPE

Utiliser le laveur sous pression pendant plus de deux minutes sans tirer sur la gâchette du pistolet de pulvérisation surchauffe la pompe et peut éventuellement provoquer des dommages. La soupape de sûreté thermique s'ouvre et pulvérise l'eau pour contribuer à refroidir la pompe quand elle surchauffe. Pour éviter de surchauffer la pompe, arrêtez la machine si elle reste inutilisée pendant plus de deux minutes.

**REMARQUE :** Laissez le moteur chauffer pendant 1 à 2 minutes avant d'utiliser le produit.

## Démarrage du moteur (moteur à essence – démarrage électrique)

1. Lisez entièrement et comprenez le manuel d'utilisation du moteur que vous avez reçu en même temps que ce manuel.
2. Effectuez les étapes des sections LISTE DE CONTRÔLE DU FONCTIONNEMENT, RACCORDEMENT DES HOUSSES et PURGE DE L'AIR DE LA POMPE de ce manuel avant de démarrer le moteur.
3. Pour un moteur FROID, réglez le starter sur « CHOKE » -ou- « CLOSED ».
4. Réglez le régulateur sur « FAST » (si l'appareil en est équipé).
5. Tournez la vanne de carburant sur « ON » ou « OPEN » (si l'appareil en est équipé).
6. Faites passer la clé de « ON » à « START » et maintenez-la enfoncée pendant cinq secondes au maximum. Si le moteur ne démarre pas dans les cinq secondes, relâchez la clé et attendez une minute avant de réessayer. **AVERTISSEMENT :** Le fait de laisser le démarreur tourner constamment l'endommagera! Si le moteur ne démarre pas après deux tentatives, reportez-vous à la section DÉPANNAGE pour obtenir de l'aide.
7. Une fois que le moteur a démarré, placez le starter sur « OPEN » ou « RUN ».

## Démarrage du moteur (moteur à essence – démarrage à rappel)

1. Effectuez les étapes 1 à 5 ci-dessus.

2. Saisissez la poignée de recul et tirez lentement jusqu'à ce que vous sentiez une résistance. Tirez rapidement pour faire démarrer le moteur. Si le moteur ne démarre pas après deux tractions, appuyez sur la gâchette du pistolet pour relâcher la pression accumulée.
3. Une fois que le moteur a démarré, placez le starter sur « OPEN » ou « RUN ».

## Démarrage du moteur (Diesel)

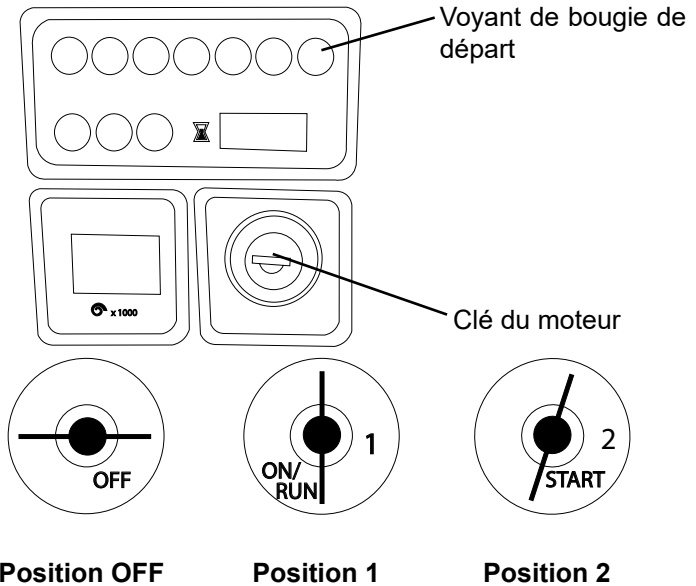


# AVIS

## DOMMAGES DE LA POMPE

Utiliser le laveur sous pression pendant plus de deux minutes sans tirer sur la gâchette du pistolet de pulvérisation surchauffe la pompe et peut éventuellement provoquer des dommages. La soupape de sûreté thermique s'ouvre et pulvérise l'eau pour contribuer à refroidir la pompe quand elle surchauffe. Pour éviter de surchauffer la pompe, arrêtez la machine si elle reste inutilisée pendant plus de deux minutes.

1. Lisez entièrement et comprenez le manuel d'utilisation du moteur que vous avez reçu en même temps que ce manuel.
2. Effectuez les étapes des sections LISTE DE CONTRÔLE DU FONCTIONNEMENT, RACCORDEMENT DES HOUSSES et PURGE DE L'AIR DE LA POMPE de ce manuel avant de démarrer le moteur.



3. Mettez la clé du moteur sur la 1re position.
4. Attendez que le voyant orange de la bougie de départ s'éteigne.
5. Tournez la clé en deuxième position pour démarrer le moteur. Une fois le moteur démarré, laissez la clé revenir en 1e position.

**AVERTISSEMENT** : Le fait de laisser le démarreur tourner constamment l'endommagera! Après un maximum de 20 secondes de tentative, laissez le démarreur refroidir une minute avant de réessayer. Si le moteur ne démarre pas après deux tentatives, reportez-vous à la section DÉPANNAGE pour obtenir de l'aide.

# DÉMARRAGE D'UN LAVEUR SOUS PRESSION À MOTEUR ÉLECTRIQUE



## AVIS

### DOMMAGES DE LA POMPE

Utiliser le laveur sous pression pendant plus de deux minutes sans tirer sur la gâchette du pistolet de pulvérisation surchauffe la pompe et peut éventuellement provoquer des dommages. La soupape de sûreté thermique s'ouvre et pulvérise l'eau pour contribuer à refroidir la pompe quand elle surchauffe. Pour éviter de surchauffer la pompe, arrêtez la machine si elle reste inutilisée pendant plus de deux minutes.



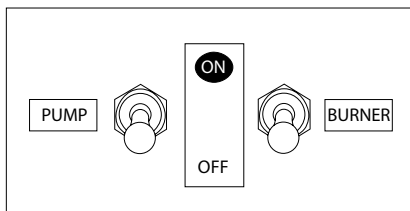
## AVERTISSEMENT:

### MISE À LA TERRE ÉLECTRIQUE

Un mauvais branchement du conducteur de mise à la terre de l'équipement peut entraîner un risque d'électrocution. En cas de doute sur la mise à la terre, demandez à un électricien autorisé de vérifier l'installation de la prise. Ne modifiez pas la fiche fournie avec le produit si elle ne correspond pas à la prise installée. N'utilisez aucun type d'adaptateur avec ce produit.

1. Effectuez les étapes des sections LISTE DE CONTRÔLE DU FONCTIONNEMENT, RACCORDEMENT DES HOUSSES et PURGE DE L'AIR DE LA POMPE de ce manuel avant de démarrer le moteur.

2. Vérifiez que l'interrupteur ON/OFF de la pompe est en position « OFF ».



3. Branchez le cordon d'alimentation dans une prise à trois broches reliée à la terre. **N'UTILISEZ PAS** de rallonge. Si le cordon d'alimentation n'arrive pas suffisant, rapprochez le laveur sous pression de la prise de courant.



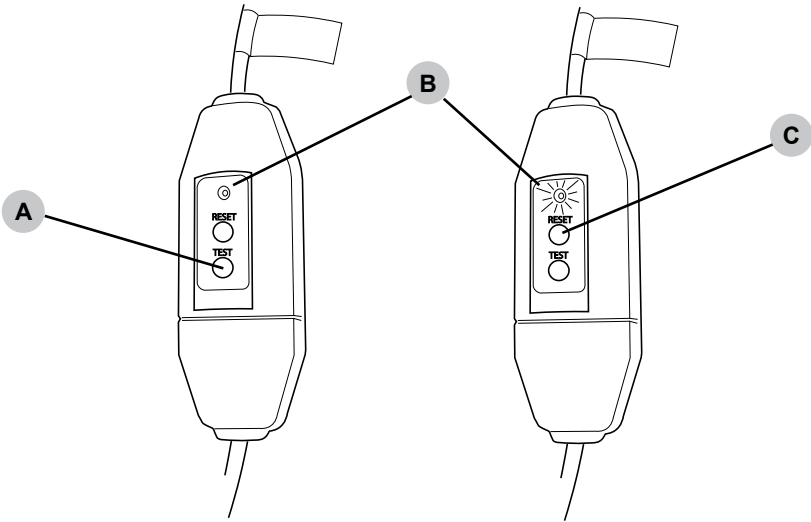
## DANGER:

### RISQUE D'ÉLECTROCUTION

L'utilisation d'une rallonge peut provoquer un choc ou une brûlure entraînant la mort ou des blessures graves. **N'UTILISEZ PAS** de rallonge avec ce laveur sous pression électrique. La prise du circuit électrique de votre maison ou la rallonge peut ne pas fournir la protection vitale d'interruption du circuit de fuite à la terre.

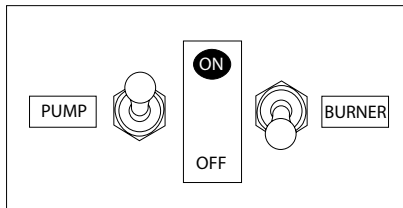
4. Testez le disjoncteur différentiel de fuite à la terre (DDFT) (si l'appareil en est équipé).

5. Appuyez sur le bouton TEST (A). Le voyant (B) doit maintenant être éteint (OFF).



6. Appuyez sur le bouton RESET (C). Le voyant (B) s'allume (ON). **ATTENTION** : N'UTILISEZ PAS le laveur sous pression en cas d'échec du test ci-dessus.

7. Placez l'interrupteur PUMP sur ON. Le laveur sous pression est maintenant prêt à être utilisé.



# UTILISATION DE L'EAU CHAUDE



**AVERTISSEMENT:**

**RISQUE DE BRÛLURES**

Les surfaces autour de l'échappement du brûleur et de l'échappement déchargé sont TRÈS CHAUDES. Tenez-vous à l'écart de cette zone. NE LAISSEZ PAS les tuyaux entrer en contact avec l'échappement du brûleur de quelque manière que ce soit. NE LAISSEZ PAS les enfants utiliser le laveur sous pression ou se trouver à proximité à n'importe quel moment.



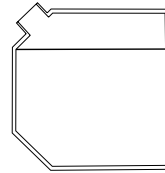
**AVERTISSEMENT:**

**RISQUE D'EXPLOSION**

Le brûleur s'éteint chaque fois que vous relâchez la gâchette. N'UTILISEZ PAS le laveur sous pression si le brûleur ne s'éteint pas lorsque vous relâchez la gâchette.

## REPLISSAGE DU RÉSERVOIR DE CARBURANT DU BRÛLEUR

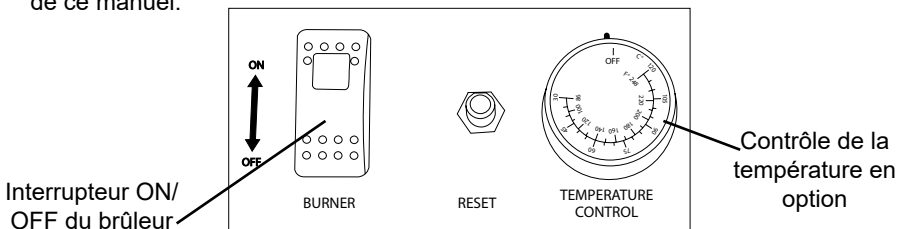
1. Vérifiez le carburant avec le moteur arrêté et le laveur sous pression sur une surface plane.
2. Retirez le bouchon du réservoir pour vérifier le niveau de carburant. Pour l'emplacement du bouchon du réservoir de carburant, consultez la section **EMPLACEMENT DES COMPOSANTS** de ce manuel.
3. Utilisez du carburant diesel n° 2 frais et de haute qualité pour le brûleur. Remplissez le réservoir jusqu'à un maximum de 1 po en dessous du goulot de remplissage pour laisser de la place à l'expansion.
4. Remettez le bouchon du carburant en place. Ne faites jamais tourner le moteur ou le laveur sous pression sans que le(s) bouchon(s) de carburant ne soit(nt) installé(s).



Niveau de carburant maximum

## DÉMARRAGE DU BRÛLEUR

1. Effectuez les étapes des sections **LISTE DE CONTRÔLE DU FONCTIONNEMENT**, **RACCORDEMENT DES HOUSSES** et **PURGE DE L'AIR DE LA POMPE** de ce manuel avant de démarrer le moteur.
2. Démarrez le moteur comme indiqué dans la section **DÉMARRAGE DU MOTEUR** de ce manuel.



3. Placez l'interrupteur ON/OFF du brûleur en position ON.
4. (Si équipé) Tournez le thermostat à la température désirée.

---

## ARRÊT DU SYSTÈME

---



**AVIS**

### DOMMAGES DE LA POMPE

Couper l'arrivée d'eau à votre pompe alors que le moteur fonctionne endommage la pompe. Les dommages causés par le fonctionnement de la pompe sans eau ne sont pas couverts par la garantie. Pour éviter ce risque, arrêtez toujours le moteur avant de couper l'arrivée d'eau.



**AVIS**

### PRODUITS DE NETTOYAGE CHIMIQUES

L'utilisation de produits de nettoyage chimique et/ou de liquides corrosifs peut endommager les joints du laveur sous pression et ses composants internes. Les dommages causés par les nettoyants chimiques et les liquides corrosifs ne sont pas couverts par la garantie. Pour éviter ces risques, n'utilisez que des produits de nettoyage, jamais d'eau de Javel et faites toujours passer de l'eau propre dans le laveur sous pression après avoir utilisé des produits chimiques de nettoyage.

1. Placez l'interrupteur de commande du brûleur sur OFF.
2. Appuyez sur la gâchette et laissez couler l'eau jusqu'à ce que la lance d'arrosage devienne froide au toucher, soit au minimum deux minutes.
3. Si vous avez utilisé du savon ou du détergent, placez le tuyau de siphon dans un seau d'eau propre. La buse noire étant fixée à la lance, appuyez sur la gâchette et laissez couler l'eau jusqu'à ce que toute trace de savon ait disparu.
4. Réglez le verrou de la gâchette.
5. Si votre appareil est alimenté par un moteur électrique, mettez l'interrupteur ON/OFF de la pompe sur OFF.
6. Pour un moteur à essence ou diesel, placez le régulateur sur la position lente (si l'appareil en est équipé). Mettez la clé ou l'interrupteur du moteur sur OFF.
7. Tournez la vanne de carburant sur « OFF » ou « CLOSED » (si l'appareil en est équipé).
8. Fermez la source d'eau.
9. Appuyez sur la gâchette pour relâcher la pression accumulée dans le tuyau.
10. Débranchez le tuyau d'arrosage du robinet de la source et de l'entrée de la pompe.
11. Débranchez le tuyau haute pression de la sortie du laveur sous pression. Vidangez le tuyau, puis enroulez-le avec précaution.
12. Reportez-vous à la section ENTREPOSAGE pour connaître les instructions relatives à l'entreposage à court ou à long terme.

# CONSEILS D'UTILISATION

## PRÉPARATION

Lisez tous les avertissements et toutes les instructions de ce guide et de tous les autres guides qui pourraient être fournis avec le laveur sous pression.

- Retirez tous les jouets, vélos, meubles de jardin, etc. de la zone de travail.
- Balayez la saleté et les débris de la surface que vous allez laver sous pression.
- Couvrez les plantes avoisinantes pour les protéger de la pulvérisation excessive et du détergent.
- N'utilisez que la buse blanche de 40° pour laver les vitres ou les objets peints comme les automobiles. Commencez toujours à une grande distance et rapprochez-vous avec précaution.
- Si vous utilisez le laveur sous pression pour préparer un revêtement à peindre et que la peinture existante date d'avant 1977, placez des bâches pour récupérer les éclats de peinture. Ils peuvent contenir du plomb et doivent être éliminés dans un centre d'élimination approprié.
- N'utilisez que des détergents ou des savons approuvés pour l'utilisation du laveur sous pression.

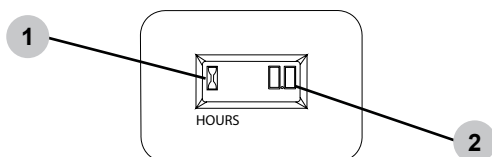
## LAVAGE SOUS PRESSION

- Une pulvérisation plus large permet de nettoyer plus rapidement, alors qu'une pulvérisation plus étroite permet un nettoyage plus en profondeur.
- Ne dirigez pas la buse directement vers une surface. Tenez la lance selon un angle de 45°degrés par rapport à la surface à une distance qui permet de bien nettoyer sans endommager.
- Tenez la buse à environ 4 pieds (1,2 mètres) du revêtement pour éviter d'endommager la surface.
- Commencez le lavage par le bas, remontez vers le haut, puis rincez du haut vers le bas.
- Évitez de faire passer l'eau derrière les parements, les garnitures et dans les cadres de fenêtres.
- Lorsque vous utilisez du savon, travaillez sur de petites surfaces et ne laissez pas le savon sécher.

## HOROMÈTRE (si l'appareil en est équipé)

L'horomètre permet de suivre le temps de fonctionnement du laveur sous pression. L'icône du sablier clignote lorsque le moteur tourne pour indiquer que le compteur suit les heures de fonctionnement. L'affichage numérique de l'heure indique les heures de fonctionnement enregistrées. Utilisez cette information pour les intervalles d'entretien préventif.

Pour l'emplacement de l'horomètre, voir la section **EMPLACEMENT DES COMPOSANTS** de ce guide.



1. Icône du sablier

2. Affichage numérique de l'heure



# ENTRETIEN

---

---

Votre laveur sous pression a été fabriqué avec des matériaux et des techniques de fabrication de la plus haute qualité. En tant que propriétaire, vous avez certaines responsabilités en ce qui concerne l'entretien de l'équipement. L'attention portée aux procédures régulières d'entretien préventif contribuera à préserver le rendement de l'équipement.

Contactez votre centre d'entretien local agréé pour l'entretien. Un petit investissement dans l'entretien préventif ajoutera de nombreuses heures à la durée de vie du laveur sous pression. Effectuez l'entretien plus souvent dans des conditions d'utilisation difficiles. Ne pulvérisez jamais d'eau à haute pression sur l'appareil.

Pour des raisons de sécurité, le fabricant recommande que tous les entretiens et réparations du laveur sous pression soient effectués par un centre de service agréé. Tous les remplacements ou réparations sous garantie doivent être effectués par un centre de distribution ou de service agréé.

Pour trouver un centre de service autorisé près de chez vous, faire une demande de garantie ou obtenir une réparation sous garantie autorisée, appelez le 1 877 362-4271 ou envoyez un courriel à [cservice@fna-group.com](mailto:cservice@fna-group.com).

Il est de la responsabilité du propriétaire et/ou de l'utilisateur de faire effectuer tous les entretiens prévus avant d'utiliser le laveur sous pression. Veillez à suivre les recommandations d'inspection et d'entretien figurant dans tous les guides fournis avec cet appareil.

## NETTOYAGE DU LAVEUR SOUS PRESSION

Nettoyez toujours le laveur sous pression lorsque le moteur est arrêté et froid. Pour nettoyer le laveur sous pression, utilisez d'abord de l'air comprimé à une pression inférieure ou égale à 20 PSI pour éliminer la saleté et les débris de la surface du laveur sous pression, des événements et des fentes de refroidissement. Ensuite, essuyez la surface extérieure avec un chiffon humide.

## INSPECTION AVANT TRAVAIL

Avant chaque utilisation, vérifiez que le laveur sous pression ne présente pas de fuites, de pièces desserrées ou endommagées et toute autre condition susceptible d'affecter son bon fonctionnement en toute sécurité. Assurez-vous que toutes les protections de sécurité sont en place et en bon état de fonctionnement. Inspectez toutes les fentes de refroidissement pour vous assurer qu'elles sont propres et non obstruées.

Réparez et remplacez immédiatement toutes les pièces endommagées ou défectueuses. Pour des raisons de sécurité, le fabricant recommande que tous les entretiens et réparations du laveur sous pression soient effectués par un centre de service agréé.

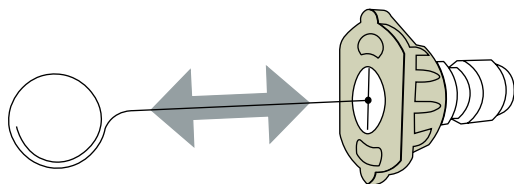
## RACCORDS

Les raccords du tuyau, du pistolet et de la pompe doivent être nettoyés et lubrifiés régulièrement avec une fine pellicule de graisse au lithium pour éviter d'endommager les joints toriques et de provoquer des fuites.

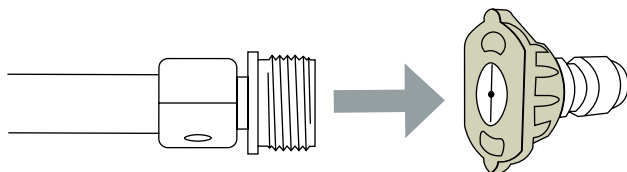
## Nettoyage des buses

Si une buse est obstruée, la pompe peut émettre des pulsations et le modèle de pulvérisation peut changer. Si la buse n'est pas nettoyée, une pression excessive peut se développer et endommager la pompe ou d'autres accessoires. Inspectez les buses avant de les utiliser et suivez les instructions de cette section pour la procédure appropriée de nettoyage des buses.

1. Arrêtez le laveur sous pression.
2. Coupez l'alimentation en eau.
3. Orientez le pistolet de pulvérisation dans une direction sécuritaire et appuyez sur la gâchette pour relâcher la pression de l'eau.
4. Réglez le verrou de la gâchette.
5. Retirez la buse du raccord rapide de la lance.
6. Dégagez toute obstruction de la buse en insérant l'outil de nettoyage de la buse fourni.



7. Rincez tous les débris détachés de la buse en orientant un tuyau d'arrosage en marche vers la sortie de la buse pendant au moins 30 secondes.

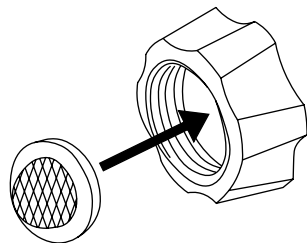


---

## Filtre d'entrée d'eau

Avant chaque utilisation, vérifiez le filtre d'entrée et nettoyez-le en suivant les étapes ci-dessous. N'utilisez jamais le laveur sous pression si le filtre d'entrée n'est pas correctement installé.

1. Retirez le filtre du coupleur du tuyau d'arrosage.
2. Utilisez l'eau d'un tuyau d'arrosage en marche pour nettoyer les deux côtés du filtre.
3. Insérez le filtre nettoyé dans l'entrée de la pompe avec le côté convexe vers l'extérieur.



## ENTRETIEN DU MOTEUR

Avant chaque utilisation, vérifiez que le moteur ne présente pas de pièces desserrées ou endommagées, de signes de fuites d'huile ou de carburant et/ou toute condition susceptible d'affecter son bon fonctionnement en toute sécurité. Gardez toujours tous les dispositifs de protection en place et en bon état de fonctionnement. Réparez ou remplacez immédiatement toutes les pièces défectueuses.

Pour des raisons de sécurité, le fabricant recommande que tous les entretiens et réparations du moteur (y compris les dispositifs et systèmes antipollution) soient effectués seulement par un centre de service agréé. Tous les travaux de garantie et les remplacements doivent être effectués par un centre de service agréé.

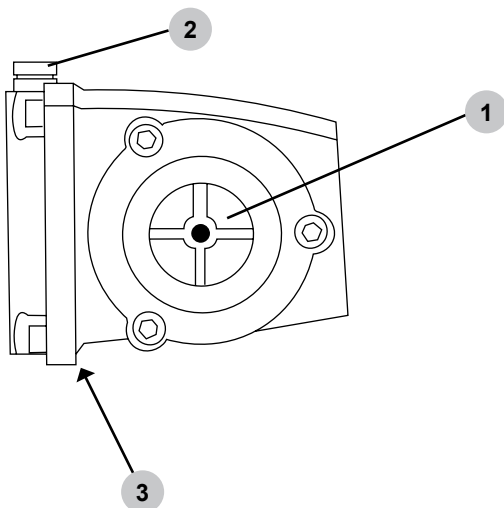
Pour toute autre information sur l'entretien du moteur, consultez le guide du moteur.

## ENTRETIEN DE LA POMPE

La pompe a été remplie d'huile en usine. Reportez-vous au TABLEAU D'ENTRETIEN pour connaître les intervalles d'entretien appropriés et le type d'huile.

**Remarque :** Votre pompe peut être différente de celle illustrée.

1. Voyant d'huile
2. Bouchon de remplissage d'huile
3. Bouchon de vidange d'huile (non illustré)



## Comment vidanger l'huile de la pompe

1. Desserrez le bouchon de remplissage d'huile de la pompe.
2. Placez un conteneur sous le bouchon de vidange d'huile.
3. Retirez le bouchon de vidange d'huile.
4. Une fois l'huile vidangée, insérez le bouchon de vidange d'huile et serrez-le fermement.
5. Reportez-vous au TABLEAU D'ENTRETIEN pour connaître le type d'huile approprié à votre pompe.
6. Assurez-vous que le niveau d'huile atteint mais ne dépasse pas le point situé au centre du voyant.
7. Insérez le bouchon de remplissage d'huile et serrez-le fermement.

## TABLEAU D'ENTRETIEN

**AVIS :** Tous les éléments d'entretien énumérés ci-dessous ne s'appliquent pas à tous les modèles.

Huile pour moteur	Inspection	Chaque jour
	Remplacement	Après les 10 premières heures, puis toutes les 50 heures, surtout en cas de température ambiante élevée.
	Filtre	Toutes les 100 heures
Filtre à air	Inspection	Toutes les 25 heures
	Nettoyage	Tous les trois mois
Liquide de refroidissement du moteur diesel	Vérification quotidienne	(Maximum 50 % d'antigel)
Niveau de la pile	Vérification mensuelle	Remplacement tous les 2 ans
Filtre à carburant du moteur	500 heures ou 6 mois	
Entretien des bougies d'allumage	500 heures ou 6 mois	
Nettoyage du (des) réservoir(s) de carburant	Chaque année	
Remplacement des conduites de carburant	Chaque année	
Huile de pompe	Inspection	Chaque jour
	Remplacement	25 premières heures, puis tous les 3 mois ou 150 heures
Remplacement du filtre à carburant du brûleur	Tous les 6 mois	(Plus souvent si le carburant est de mauvaise qualité)
Élimination de la suie du brûleur	Chaque année	
Réglage/nettoyage du brûleur	Chaque année	
Détartrage du serpentin de chauffage	Chaque année	(Plus souvent si nécessaire)
Remplacement de la buse de pulvérisation	Tous les 6 mois	
Remplacement des raccords rapides	Chaque année	(Plus souvent si nécessaire)
Nettoyage du filtre d'entrée d'eau	Chaque semaine	
Remplacement du tuyau haute pression	Chaque année	(Plus souvent si nécessaire)
Pneus/roulements de roue	Tous les mois	
Courroies	Serrage	Tous les 6 mois
	Inspection/Remplacement	Chaque année
Description	Type d'huile	Capacité <sup>(5)</sup>
Moteur à essence	Huile de moteur SAE 10W 30 <sup>(4)</sup>	0,63 à 3qt
Moteur diesel	SAE 15W 40 ou ISO 100 <sup>(4)</sup>	1,7 à 3,3qt
Pompe, AAA	SAE 15W 40	11 à 42oz
Pompe, CAT <sup>(1)</sup>	Huile hydraulique ISO 68	11 à 42oz
Pompe, COMET <sup>(2)</sup>	SAE 15W 40 ou ISO 100	11 à 42oz
Pompe, General <sup>(3)</sup>	SAE 15W 40 ou ISO 100	11 à 42oz
<p><sup>(1)</sup> CAT Pumps® est une marque déposée de Diversified Dynamics Corporation.</p> <p><sup>(2)</sup> COMET Pumps® est une marque déposée.</p> <p><sup>(3)</sup> General Pumps® est une marque déposée de Interpump Group S.p.A.</p> <p><sup>(4)</sup> Reportez-vous au manuel du moteur pour connaître le poids approprié en fonction des conditions d'utilisation.</p> <p><sup>(5)</sup> Reportez-vous au manuel pour connaître la quantité appropriée.</p>		

# ENTREPOSAGE ET TRANSPORT

---

---

## ENTREPOSAGE PENDANT DEUX MOIS OU MOINS (ESSENCE)

1. Remplissez le réservoir de carburant conformément à la section PRÉPARATION DU MOTEUR de ce guide, puis ajoutez un stabilisateur de carburant conformément aux recommandations du fabricant. REMARQUE : L'utilisation d'un stabilisateur d'essence (vendu séparément) lors de l'entreposage de l'essence peut aider à prévenir les problèmes liés aux carburants mélangés à de l'alcool dans les moteurs d'équipement motorisé d'extérieur. Suivez toujours les instructions fournies par le fabricant de carburant pour le mélanger et l'utiliser correctement.

2. Effectuez les étapes des sections LISTE DE CONTRÔLE DE FONCTIONNEMENT, RACCORDEMENT DES TUYAUX et AMORÇAGE DE LA POMPE de ce guide.

3. Lorsque l'eau coule, démarrez le moteur conformément à la section DÉMARRAGE de ce manuel et laissez-le tourner pendant dix minutes. Cela permettra au carburant stabilisé de circuler dans tout le système de carburant. Veillez à appuyer sur la gâchette pour que l'eau continue de circuler dans la pompe et le pistolet de pulvérisation afin d'éviter toute surchauffe.

4. Mettez la clé ou l'interrupteur du moteur sur OFF.

5. Appuyez sur la gâchette du pistolet de pulvérisation pour relâcher la pression accumulée. Vidangez la lance d'arrosage et le tuyau haute pression. Enroulez soigneusement le tuyau haute pression.

6. Laissez le moteur refroidir complètement.

7. Protégez la pompe en utilisant la protection de pompe SIMPSON conformément à la section UTILISATION DE LA PROTECTION DE POMPE du présent guide.

8. Entreposez le laveur sous pression dans un endroit propre et sec, à l'abri de la lumière directe du soleil.

## ENTREPOSAGE PENDANT DEUX MOIS OU MOINS (DIESEL)

Suivez les étapes 1 à 8 ci-dessus en utilisant un stabilisateur de carburant diesel.

## ENTREPOSAGE PENDANT DEUX MOIS OU MOINS (ÉLECTRIQUE)

1. Appuyez sur la gâchette du pistolet de pulvérisation pour relâcher la pression accumulée. Vidangez la lance d'arrosage et le tuyau haute pression. Enroulez soigneusement le tuyau haute pression.

2. Protégez la pompe en utilisant la protection de pompe SIMPSON conformément à la section UTILISATION DE LA PROTECTION DE POMPE SIMPSON du présent guide.

3. Entreposez le laveur sous pression dans un endroit propre et sec, à l'abri de la lumière directe du soleil.

## **ENTREPOSAGE PENDANT DEUX MOIS OU PLUS (ESSENCE)**

1. Laissez le moteur refroidir et appuyez sur la gâchette du pistolet de pulvérisation pour relâcher la pression accumulée.
2. Retirez tout le carburant du réservoir, des conduites de carburant et du carburateur en desserrant la vis de vidange située au bas du carburateur. Vidangez le carburant dans un conteneur approprié.
3. Changez l'huile moteur comme indiqué dans le guide d'utilisation du moteur.
4. Enlevez la saleté et les débris de la zone autour de la ou des bougie(s) d'allumage. À l'aide d'une douille et d'une clé à bougie, retirez la ou les bougie(s) d'allumage.
5. Versez 0,5 once (15 ml) d'huile neuve dans la (les) chambre(s) de combustion du moteur. Tournez la clé du démarreur sur START pendant deux secondes ou tirez lentement le cordon de démarreur deux fois pour lubrifier et protéger le(s) cylindre(s).
6. Réinstallez la ou les bougies à la main, puis serrez-les à l'aide d'une clé à douille en respectant le couple de serrage indiqué dans le guide d'utilisation du moteur.
7. Débranchez le fil noir négatif (-) de la pile.
8. Débranchez le fil rouge positif (+) de la pile.
9. Si le laveur sous pression doit être conservé dans un endroit froid, déplacez la pile dans un endroit chaud pour l'entreposage à long terme ou utilisez un dispositif électronique de maintien de la pile pour garder la pile chaude et chargée pendant l'entreposage à froid.
10. Vidangez la lance d'arrosage et le tuyau haute pression. Enroulez soigneusement le tuyau haute pression.
11. Protégez la pompe en utilisant la protection de pompe SIMPSON conformément à la section UTILISATION DE LA PROTECTION DE POMPE SIMPSON du présent guide.
12. Entreposez le laveur sous pression dans un endroit propre et sec, à l'abri de la lumière directe du soleil.

## **ENTREPOSAGE PENDANT DEUX MOIS OU PLUS (DIESEL)**

1. Suivez les étapes 1 à 7 de la section ENTREPOSAGE PENDANT DEUX MOIS OU MOINS (ESSENCE) en utilisant un stabilisateur pour le traitement hivernal du diesel. Cela empêchera le carburant diesel de se gélifier en cas de températures négatives.
2. Débranchez le fil noir négatif (-) de la pile.
3. Débranchez le fil rouge positif (+) de la pile.
4. Si le laveur sous pression doit être conservé dans un endroit froid, déplacez la pile dans un endroit chaud pour l'entreposage à long terme ou utilisez un dispositif électronique de maintien de la pile pour garder la pile chaude et chargée pendant l'entreposage à froid.
5. Entreposez le laveur sous pression dans un endroit propre et sec, à l'abri de la lumière directe du soleil.

## ENTREPOSAGE PENDANT DEUX MOIS OU PLUS (ÉLECTRIQUE)

Suivez les mêmes étapes que pour l'ENTREPOSAGE PENDANT DEUX MOIS OU MOINS (ÉLECTRIQUE).

## TRANSPORT



**AVERTISSEMENT:**

**TRANSPORT**

Le fait de laisser le laveur sous pression dans un espace clos où les températures peuvent augmenter sur un véhicule de transport peut provoquer la vaporisation du carburant et éventuellement son explosion. Un incendie et des explosions peuvent causer des brûlures graves et/ou la mort. Pour éviter les fuites ou la vaporisation de carburant, sécurisez le laveur sous pression dans une zone bien aérée, à l'abri du soleil et autres sources de chaleur et ne le transportez pas sur des routes irrégulières si le carburant n'a pas été vidangé au préalable.

1. Mettez l'interrupteur de commande du moteur sur la position OFF.
2. Pour éviter toute fuite de carburant lors du transport, assurez-vous que le(s) bouchon(s) de carburant est (sont) bien serré(s) et que le laveur sous pression est maintenu en position verticale sur une surface plane.
3. Arrimez le laveur sous pression à l'aide de sangles ou d'attaches dont le poids recommandé est deux fois supérieur à celui du laveur sous pression afin d'éviter qu'il ne bascule ou qu'il ne glisse.

**ATTENTION :** N'utilisez jamais le laveur sous pression lorsqu'il est sur le véhicule de transport.

# UTILISATION DE LA PROTECTION DE POMPE SIMPSON®



## AVIS

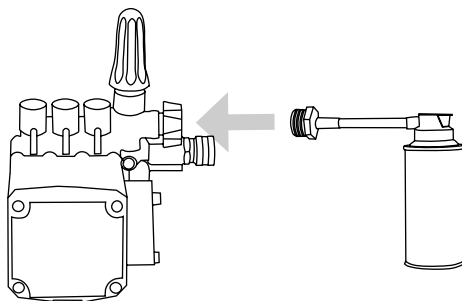
### DOMMAGES DE LA POMPE

Laisser de l'eau à l'intérieur de la pompe par temps de gel causera des dommages divisibles à la pompe. Pour éviter des dommages coûteux, traitez toujours la pompe avec la protection de pompe SIMPSON® afin d'éliminer l'eau piégée et de remplir la pompe d'une solution lubrifiante et antigel.

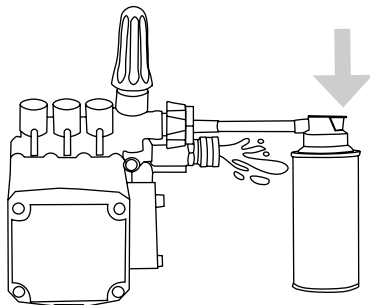
La protection de pompe SIMPSON® (vendue séparément) est formulée pour protéger votre pompe pendant l'entreposage à long terme et contre les dommages causés par le gel. La protection de pompe doit être utilisée tout au long de la saison pour que les joints restent souples et bien lubrifiés. Avant d'entreposer l'appareil pour l'hiver ou lorsqu'il y a un risque de gel, utilisez la protection de pompe pour éliminer toute trace d'eau des cavités internes tout en les remplissant d'une solution antigel. La protection de pompe est une assurance pour votre investissement, utilisez-la.

Utilisez simplement la protection de pompe en suivant les étapes suivantes :

1. Vissez l'adaptateur de la protection de pompe dans l'entrée du tuyau d'arrosage de la pompe.



2. Appuyez sur le bouton et maintenez-le enfoncé jusqu'à ce que toute l'eau et la protection de pompe commencent à sortir de l'orifice haute pression.



3. Dévissez la protection de pompe et préparez le laveur sous pression pour l'entreposage comme indiqué dans la section ENTREPOSAGE ET TRANSPORT.



# DÉPANNAGE

**REMARQUE** : Les causes probables sont énumérées en commençant par la plus probable. Les réparations ne doivent être effectuées que par des techniciens qualifiés.

## SYSTÈME D'ALIMENTATION : FONCTIONNEMENT À L'ESSENCE OU AU DIESEL

Problème	Cause probable	Solution
<b>Le moteur ne démarre pas ou ne tourne pas.</b> (Voir le <b>guide d'utilisation du moteur</b> pour plus d'informations sur le dépannage du moteur).	Pile déchargée (si l'appareil en est équipé)	Chargez ou remplacez la pile, ajoutez de l'électrolyte si la pile est neuve.
	Contacts de la pile encrassés	Nettoyez les contacts.
	Câbles de la pile débranchés	Branchez ou remplacez les câbles endommagés.
	Pompe, boîte de vitesses ou moteur grippé	Identifiez, remplacez ou réparez la pièce grippée.
	Commutateur du démarreur, solénoïde ou démarreur du moteur défectueux	Réparez ou remplacez le composant défectueux.
	Pompe grippée	Remplacez la pompe ou le roulement.
<b>Le moteur se bloque sous charge, chaque fois que le pistolet de pulvérisation est actionné.</b> (Voir le <b>guide d'utilisation du moteur</b> pour plus d'informations sur le dépannage du moteur).	Le moteur doit être réparé.	Faites appel à un service certifié.
	Fonctionnement en altitude	Baissez la pression de l'appareil et vérifiez que le régime moteur est correct (RPM).
	Mauvaise buse dans la lance	Remplacez la buse par une buse de taille correcte.
	Soupape de décharge mal réglée	Réglez la soupape de décharge.
<b>Le moteur ne démarre pas mais tourne.</b> (Voir le <b>guide d'utilisation du moteur</b> pour plus d'informations sur le dépannage du moteur).	L'interrupteur d'alimentation du moteur est éteint ou défectueux.	Vérifiez l'interrupteur d'alimentation du moteur.
	Le système d'arrêt en cas de manque d'huile est activé (si l'appareil en est équipé).	Ajoutez de l'huile au moteur, vérifiez plus fréquemment.
	Manque de carburant	Remplissez avec le carburant approprié, purgez la pompe d'injection sur les moteurs diesel.

Problème	Cause probable	Solution
<b>Le moteur ne démarre pas mais tourne.</b> (Voir le <b>guide d'utilisation du moteur</b> pour plus d'informations sur le dépannage du moteur). <i>A continué</i>	Filtre à carburant bouché	Remplacez ou nettoyez le filtre à carburant, purgez la pompe d'injection sur les moteurs diesel.
	Moteur noyé ou privé de carburant	Moteurs à essence uniquement : utilisez le starter seulement si nécessaire
	Carburant vieux ou sale	Vidangez et remplacez par du carburant frais et propre.

### SYSTÈME D'ALIMENTATION : FONCTIONNEMENT À L'ÉLECTRICITÉ

Problème	Cause probable	Solution
<b>Le moteur électrique ne démarre pas.</b>	Pas de courant électrique	Vérifiez le cordon, la fiche, la prise, le disjoncteur différentiel de fuite à la terre et le disjoncteur.
	La surcharge thermique du moteur ou du démarreur a été déclenchée.	Réinitialisez la surcharge manuelle en appuyant sur l'interrupteur thermique situé à l'extérieur du moteur une fois que celui-ci a refroidi. <b>ATTENTION</b> : La surcharge automatique redémarre automatiquement le moteur une fois qu'il a refroidi.
	Interrupteur d'alimentation inopérant	Vérifiez l'interrupteur d'alimentation.
	Défaillance du moteur électrique ou du câblage	Remplacez ou réparez le moteur et/ou le câblage.
	Pas de pression d'eau à l'entrée	Raccordez l'appareil à l'alimentation en eau appropriée.
<b>La machine ne démarre pas automatiquement (si elle en est équipée)</b>	L'alimentation en eau doit être suffisante.	Vérifiez que la pression et le volume d'eau sont corrects.
	Accumulation de tartre dans le serpentin	Détartrez le serpentin pour améliorer l'écoulement de l'eau.
	Vérifiez l'écran du filtre et la pression d'entrée.	Tirez sur le pistolet à gâchette pour vérifier la fonction de démarrage automatique.

Problème	Cause probable	Solution
<b>La machine ne démarre pas automatiquement (si elle en est équipée)</b> <i>A continué</i>	Pressostat défectueux sur le déchargeur	Remplacez.
	Minuterie défectueuse	Retirez les fils de la minuterie au niveau de la commande, vérifiez si la machine s'arrête après un certain temps, remplacez si défaillant.

## SYSTÈME DE POMPAGE

Problème	Cause probable	Solution
<b>La pompe fonctionne, mais il n'y a pas de pression de pulvérisation.</b>	L'eau est coupée	Mettez l'eau en marche.
	La buse est bouchée	Nettoyez ou remplacez la buse par une buse de taille appropriée.
	La vanne d'injection de produits chimiques est ouverte / le tuyau n'est pas dans la solution	Fermez la vanne de savon ou immergez le tube de siphon du détergent dans la solution.
	Le serpentin d'eau chaude est obstrué	Éliminez l'obstruction ou détartrez le serpentin.
	La pompe est à sec, il faut l'amorcer.	Ouvrez le raccord de la pompe à haute pression jusqu'à ce que l'eau s'écoule.
<b>La pompe fonctionne, mais la pression de pulvérisation est faible.</b>	La buse n'est pas installée	Installez une buse de taille appropriée.
	La vanne à double lance est ouverte	La vanne double doit être fermée et la buse haute pression doit être installée.
	Fuite du tuyau d'évacuation ou du raccord rapide	Remplacez le tuyau ou le raccord.
	La crépine d'entrée est bouchée	Nettoyez et vérifiez plus fréquemment.
	Buse usée ou de mauvaise taille	Remplacez la buse par une buse de taille appropriée.
	Glissement de la courroie	Tendez ou remplacez la courroie usée.
	Soupape de décharge usée ou mal réglée	Installez un manomètre sur la tête de pompe pour ajuster la pression. Vérifiez le siège de la soupape de décharge
	Fuite d'air dans la tuyauterie d'entrée	Réparez les raccords et inspectez les tuyaux d'entrée pour détecter les fuites d'air.

<b>Problème</b>	<b>Cause probable</b>	<b>Solution</b>
<b>La gâchette du pistolet fuit ou ne s'arrête pas.</b>	Débris dans la vanne du pistolet	Nettoyez l'ensemble de la vanne ou remplacez le pistolet.
<b>La pompe fonctionne, mais la pression est irrégulière et fluctuante.</b>	Alimentation en eau inadéquate	Augmentez le débit de l'alimentation en eau.
	Entrée ou sortie bloquées	Nettoyez ou remplacez les vannes usées.
	Entrée restreinte ou entrée d'air dans la tuyauterie d'entrée de la pompe	Vérifiez l'étanchéité des raccords et des tuyaux, nettoyez la crépine d'entrée.
	Fuite des joints haute pression	Remplacez les joints.
	Fuite des joints basse pression	Mettez la pompe sous pression et remplacez les joints basse pression si de l'eau s'échappe de la pompe.
<b>Jeu excessif du vilebrequin ou bruit de cliquetis dans la pompe</b>	Palier ou bielle cassé(e) ou usé(e) dans le carter.	Remplacez la pompe, le palier ou la bielle.
<b>Fuite d'huile de la pompe</b>	Bouchon de vidange desserré ou joint endommagé	Localisez le point de fuite d'huile et remplacez le joint torique ou le joint d'étanchéité endommagé.
	Fuite du joint d'huile du vilebrequin	Remplacez les joints.
	Fuite du joint du voyant d'huile	Remplacez les joints.
	Fuite du joint d'huile du piston	Remplacez les joints. Utilisez l'huile de pompe correcte.
<b>De l'eau s'échappe du tube de siphon des produits chimiques</b>	Mauvais fonctionnement de la vanne de contrôle	Réparez ou remplacez la vanne de retenue.
<b>L'injection à l'entrée ne siphonne pas le détergent</b>	Crépine bouchée	Nettoyez ou remplacez. Rincez après chaque utilisation.
	La vanne de détergent n'est pas ouverte ou est obstruée	Ouvrez la vanne puis nettoyez. Remplacez-la si nécessaire.
	La crépine n'est pas immergée dans la solution	Immergez la crépine, rajoutez du produit chimique si nécessaire.
	Tuyau de détergent coupé ou plié	Inspectez le tuyau, remplacez-le si nécessaire.

Problème	Cause probable	Solution
<b>L'injecteur en aval ne si- phone pas le détergent.</b>	Le bouton de réglage de l'injec- teur est fermé (si l'appareil en est équipé).	Ouvrez en tournant dans le sens inverse des aiguilles d'une montre.
	L'appareil n'est pas en mode basse pression	Ouvrez la buse double (si l'appareil en est équipé) ou installez une buse à savon.
	Tuyau de détergent coupé ou plié	Inspectez le tuyau, rempla- cez-le si nécessaire.
	La crépine de détergent est bouchée ou n'est pas immergée	Vérifiez l'écran sur le tube de collecte de la crépine.
	Pièces internes de l'injecteur corrodées ou bloquées	Démontez, nettoyez ou remplacez.
	La température de l'eau de sortie est trop élevée	À utiliser avec de l'eau froide uniquement (150° maximum)
<b>La soupape de décharge libère l'eau.</b>	Défaillance du déchargeur / surchauffe du serpen- tin / Pression excessive du système	Éteignez la machine pen- dant dix minutes, puis re- démarez-la. Si le problème persiste, confiez l'appareil à un centre de service agréé pour obtenir un diagnostic.

#### SYSTÈME DE BRÛLEUR DE CHAUFFAGE : BRÛLEUR DIESEL

Problème	Cause probable	Solution
<b>Le brûleur ne s'allume pas suite</b> <i>Avertissement : Une tension élevée sur l'allu- meur peut provoquer un choc électrique. Débranchez l'appareil avant toute intervention.</i>	Pompe à carburant ou buse arrêtée	Vérifiez la pression du carburant, le filtre, les conduites de carburant. Remplacez la pompe à carburant et/ou la buse.
	Vacuum, débit, pression ou thermostat défectueux.	Vérifiez la continuité élec- trique avec la pompe en cours de pulvérisation et le brûleur allumé.
	La vanne solénoïde de carbu- rant est défectueuse.	Remplacez la vanne de carburant si elle ne s'ouvre pas sous tension.
	Faible tension de sortie de la génératrice	Ajustez la vitesse de rota- tion de la génératrice pour obtenir une tension appro- priée dans des conditions de pleine charge.

Problème	Cause probable	Solution
<p><b>Le brûleur ne s'allume pas</b></p> <p><i>Avertissement : Une tension élevée sur l'allumeur peut provoquer un choc électrique. Débranchez l'appareil avant toute intervention.</i></p>	L'interrupteur du brûleur n'est pas réglé sur ON	Mettez l'interrupteur sur ON; le thermostat sur ON (si l'appareil en est équipé).
	Le niveau de carburant diesel est bas	Remplissez le réservoir du brûleur avec du diesel n° 2 ou un autre carburant approuvé.
	La gâchette du pistolet de pulvérisation n'est pas actionnée	Appuyez sur la gâchette pour allumer le brûleur.
	Filtre à carburant bouché	Nettoyez et/ou serrez le filtre à carburant (vérifiez la pression du carburant)
	Buse de pulvérisation bouchée	Nettoyez la buse de pulvérisation.
	La surcharge du moteur du brûleur s'est déclenchée	Réinitialisez la surcharge, localisez et corrigez la source de la surcharge.
	La buse n'est pas dans la lance	Installez la buse dans la lance.
	Faible pression de la pompe à eau	Voir le dépannage du système de pompage
<p><b>Le brûleur ne s'allume pas et des émissions de diesel s'échappent de l'orifice d'échappement.</b></p> <p><i>Avertissement : Remplacez l'isolation. Le carburant non brûlé peut la saturer et provoquer un incendie.</i></p>	Rapport carburant/air déréglé	Réglez la bande d'air et la pression de carburant selon les caractéristiques techniques.
	La buse de carburant est partiellement obstruée.	Remplacez la buse par une buse de taille appropriée.
	Le transformateur d'allumage ne fournit pas d'étincelle au carburant.	Remplacez le transformateur d'allumage, nettoyez et ajustez les électrodes.
<p><b>Le brûleur s'allume et dégage de la fumée</b></p>	Rapport carburant/air déréglé	Réglez la bande d'air et la pression de carburant selon les caractéristiques techniques.
	Excès de suie sur les serpentins	Nettoyez la suie pour améliorer le flux d'air.
	Tension inadéquate au niveau du brûleur	Réglez le régime de la génératrice (si l'appareil en est équipé).

<b>Problème</b>	<b>Cause probable</b>	<b>Solution</b>
<b>La température de l'eau de décharge dépasse la température de fonctionnement recommandée.</b>	La puissance du brûleur est trop élevée pour les conditions d'utilisation.	Diminuez la pression de la pompe à carburant et/ou la taille de la buse.
	Le débit d'eau est limité	Nettoyez ou remplacez la buse par une buse de taille appropriée. Détartrez le serpentin et éliminez les obstructions.
	Le commutateur de limite de température élevée est défectueux ou réglé à un niveau trop élevé.	Réinitialisez ou remplacez le commutateur de limite de température
<b>Le brûleur continue de fonctionner même lorsque la gâchette du pistolet de pulvérisation est relâchée.</b>	Débitmètre, pressostat ou vacuostat défectueux	Remplacez le(s) commutateur(s) défectueux.
	Solénoïde de carburant défectueux	Remplacez le solénoïde.
<b>La température de l'eau de décharge n'atteint pas la température de fonctionnement recommandée.</b>	La puissance du brûleur est trop basse pour les conditions d'utilisation.	Augmentez la pression de la pompe à carburant et/ou la taille de la buse.
<b>La pile ne cesse de perdre de la tension (pour les systèmes de brûleurs de 12 volts).</b>	La tension de la pile est faible.	Faites vérifier la charge de la pile, chargez-la si elle est faible et remplacez-la si nécessaire.
	Régime trop bas	Le régime du moteur devrait être de 3600 tr/min à vide.
	Le système de charge du moteur est défectueux	Vérifiez le système de charge du moteur : il doit avoir une sortie de 16 ampères au minimum.
	Pression de la pompe à carburant trop élevée	La pression de la pompe à carburant doit être comprise entre 100 et 140 PSI.
	Bande d'air trop ouverte	Ajustez pour une combustion correcte.
	L'ampérage du brûleur est trop élevé	Vérifiez la consommation d'ampères du moteur du brûleur : elle doit être de 13 ampères ou moins. Vérifiez l'ampérage du transformateur, qui doit être de 4,2 ampères ou moins.

**SYSTÈME DE BRÛLEUR DE CHAUFFAGE : CHAUFFAGE AU GAZ NATUREL OU PROPANE LIQUIDE**

<b>Problème</b>	<b>Cause probable</b>	<b>Solution</b>
<b>La veilleuse ne s'allume pas, le brûleur ne s'allume pas</b>	L'interrupteur du brûleur n'est pas sur ON	Mettez l'interrupteur sur ON.
	La gâchette n'est pas actionnée	Appuyez sur la gâchette. Le brûleur ne doit s'allumer que lorsque la gâchette est actionnée.
	La vanne de gaz est désactivée	Mettez la vanne de gaz sur ON.
	La vanne n'est pas sous tension.	Vérifiez la présence de 24 VCA entre la veilleuse (PV) et la PV/MV. La vanne fonctionne entre 20,5 et 28,5 VCA.
	La vanne de gaz est désactivée	Mettez la vanne de gaz sur ON.
	Module d'allumage défectueux	Vérifiez la présence de 24 VCA à l'entrée de 24 V et à la terre de 24 V. (Si vous obtenez une tension vers le module, mais pas à travers le module, remplacez le module.
	Transformateur défectueux	Vérifiez la présence d'une sortie de 24 V. S'il n'y a pas de tension, remplacez.
	Interrupteur de débit défectueux	Remplacez.
<b>La veilleuse ne s'allume pas, le brûleur ne s'allume pas, suite</b>	Thermostat défectueux	Remplacez.
	Interrupteur à came défectueux	Remplacez.
<b>La veilleuse s'allume, mais le brûleur ne s'allume pas</b>	L'allumeur ne fonctionne pas	Vérifiez la présence d'une étincelle. Vérifiez la continuité entre le fil d'allumage et la masse. <b>AVERTISSEMENT :</b> <i>L'allumeur à haute tension peut provoquer un choc électrique!</i>
	Vérifiez la présence de 24 VCA entre la vanne principale (MV) et le PV/MV.	S'il n'y a pas de courant alternatif à la vanne, remplacez le module. Si vous obtenez une tension, remplacez la vanne.
<b>Le brûleur s'allume, mais s'éteint</b>	Vérifiez la continuité entre le câble d'allumage et le fil de terre.	Assurez-vous d'une bonne mise à la terre.
	Module d'allumage défectueux	Remplacez le module.
	Tirage excessif	Protégez l'appareil contre le vent



<b>Problème</b>	<b>Cause probable</b>	<b>Solution</b>
<b>Odeur de gaz naturel ou de gaz de pétrole liquéfié</b> <i>Avertissement : Vérifiez toutes les raccordements de gaz à l'aide d'une solution savonneuse avant la mise en service.</i>	Fuite de gaz en amont de la vanne	Coupez le gaz, appelez le fournisseur de gaz.
	Le verrouillage ne fonctionne pas	Remplacez le module.
	La vanne est bloquée	Fermez la vanne de gaz principale. Remplacez la vanne.
<b>Température de l'eau d'évacuation trop élevée</b>	Thermostat défectueux	Remplacez.
	Restriction de l'eau	Nettoyez ou remplacez la buse, détartrez le serpentín, éliminez les obstructions.
	Pression du gaz à l'arrivée trop élevée	Réduisez la pression du gaz.
<b>La température de l'eau de décharge n'atteint pas la température de fonctionnement recommandée.</b>	Buse de pulvérisation usée	Remplacez la buse de pulvérisation par une buse de taille appropriée.
	Pression de gaz trop basse	Augmentez la pression du gaz ou installez des buses supplémentaires.
	Tirage sous le collecteur du brûleur	Empêchez le tirage vers le bas en installant un déflecteur de tirage vers le bas. Empêchez le tirage latéral en installant une barrière ininflammable.
	Accumulation de suie sur le serpentín	Nettoyez le serpentín.
	Dépôts d'eau dure (calcaire) dans le serpentín	Détartrez ou remplacez le serpentín.
<b>Le brûleur continue de s'allumer même si de l'eau n'est pas pulvérisée.</b>	Détecteur de débit, interrupteur VCA ou pressostat défectueux	Remplacez.
	La vanne de gaz principale est bloquée en position ouverte	Remplacez la vanne de gaz principale.
<b>De l'eau a été pulvérisée sur la vanne. Elle a été immergée dans l'eau et ne fonctionne pas.</b>	Inondation ou pulvérisation accidentelle	Remplacez la vanne. N'ESSAYEZ PAS de la réparer ou de la nettoyer.
<b>Le module d'allumage a été exposé à l'eau ou à l'humidité.</b>	Inondation ou pulvérisation accidentelle	Remplacez le module. N'ESSAYEZ PAS de le réparer.

Pour obtenir de l'aide supplémentaire ou pour trouver votre centre de service agréé local, appelez le **1 877 362-4271** ou envoyez un courriel à **[cservice@fna-group.com](mailto:cservice@fna-group.com)**

# GARANTIE LIMITÉE

Tous les laveurs sous pression de FNA GROUP® sont garantis par FNA GROUP® à l'acheteur d'origine comme étant exempts de défauts de matériaux et de fabrication dans des conditions normales d'utilisation, pour les périodes spécifiées ci-dessous. Cette garantie limitée est soumise aux exclusions indiquées ci-dessous, s'applique uniquement aux composants d'origine et est calculée à partir de la date de l'achat initial. Toute pièce remplacée dans le cadre de cette garantie sera couverte par le reste de la période de garantie d'origine de la pièce. Ces garanties ne s'appliquent qu'à l'acheteur d'origine et ne sont pas transférables. Pour trouver le centre de service agréé (CSA) le plus proche, contactez le service client : 1 877 362-4271 ou par courriel à [cservice@fna-group.com](mailto:cservice@fna-group.com). Le client est tenu de conserver et de fournir une copie de la facture d'achat au centre de service agréé au moment de la réparation afin de prouver le statut de la garantie.

Composant	Période de garantie	Exclusions ou commentaires
Assemblages industriels cadre/poignée (soudés) acier ou aluminium), Powershot, WaterBlaster, Water Shotgun, équipement Delco®	10 ans pour les pièces, 1 an pour la main-d'œuvre	Rouille, dommages chimiques, mauvaise utilisation/abus
Pompes AAA® Triplex	5 ans pour les pièces, 1 an pour la main-d'œuvre	Gel, qualité de l'eau, dommages chimiques, surpression, faible alimentation en eau
Pompes General Pump® à courroie / entraînement direct	5 ans pour les pièces, 1 an pour la main-d'œuvre	Les pompes sont évaluées par General Pump®
Pompes à courroie CAT®	5 ans pour les pièces, 1 an pour la main-d'œuvre	Les pompes sont évaluées par CAT® Pump
Pompes à courroie UDOR®	7 ans pour les pièces, 1 an pour la main-d'œuvre	Les pompes sont évaluées par UDOR® Pump
Pompes Comet® à courroie / entraînement direct	5 ans pour les pièces, 1 an pour la main-d'œuvre	Les pompes sont évaluées par Comet® Pump
Bobines, réservoirs à bobines, réservoirs de carburant / flotteurs, protections de courroies	5 ans pour les pièces, 1 an pour la main-d'œuvre	Gel, qualité de l'eau, dommages chimiques, surpression
Pompes à entraînement direct CAT®	2 ans pour les pièces, 1 an pour la main-d'œuvre	Les pompes sont évaluées par CAT® Pump
Pompes OEM® Axial	1 an pour les pièces, 1 an pour la main-d'œuvre	Gel, qualité de l'eau, dommages chimiques, surpression, faible alimentation en eau
Ensembles pompe / moteur électrique	1 an pour les pièces, 1 an pour la main-d'œuvre	Gel, qualité de l'eau, dommages chimiques, surpression, faible alimentation en eau
Moteurs Delco, génératrices Simpson, composants d'ensembles de brûleurs	1 an pour les pièces, 1 an pour la main-d'œuvre	Gel, qualité du carburant, dommages dus à une surpression, tension incorrecte
Composants du cadre et de la poignée du consommateur (Megashot)	1 an pour les pièces, 1 an pour la main-d'œuvre	Rouille, dommages chimiques, mauvaise utilisation/abus
Composants électriques, interrupteurs, contacteurs, relais de surcharge, transformateurs, cartes électroniques, modules de contrôle	90 jours pour les pièces, 90 jours pour la main-d'œuvre	Rouille, dommages chimiques, mauvaise utilisation/abus, gel, qualité du carburant, dommages dus à une surpression, tension incorrecte
Accessoires : Buses, tuyaux, pistolets à gâchette, baguettes/lances, injecteurs, vannes de décharge, enrouleurs de tuyaux, émulseurs, DDFI, soupapes de décharge, filtres, roues, pneus, nettoyeurs de surface, réservoirs de sapon.	90 jours pour les pièces, 90 jours pour la main-d'œuvre	Rouille, dommages chimiques, mauvaise utilisation/abus, gel, qualité du carburant, dommages dus à une surpression, tension incorrecte

## GARANTIE FOURNIE PAR D'AUTRES FABRICANTS :

Les moteurs électriques et les moteurs à essence ou diesel, qui sont garantis par leurs fabricants respectifs, sont entretenus par les centres de service locaux agréés de ces fabricants. Le FNA Group® n'est pas autorisé et n'a pas la responsabilité de fournir un service de garantie pour de tels composants.

### Cette garantie ne couvre pas les éléments suivants :

- Articles d'usure normale tels que joints, joints toriques, garnitures, pistons, assemblages de vannes de pompe, crépines, courroies, brosses, fusibles, filtres, ventilateurs ou joints d'étanchéité.
- Les dommages ou dysfonctionnements résultant d'accidents, d'abus, de modifications, d'altérations, d'une installation incorrecte, d'un entretien inadéquat, du non-respect des instructions d'entretien du fabricant ou d'une utilisation de l'équipement au-delà des caractéristiques d'utilisation indiquées dans le manuel d'utilisation.
- Dommages dus au gel, à la détérioration chimique, à l'accumulation de tartre, à la rouille, à la corrosion, à la qualité de l'eau ou à la dilatation thermique.
- Dommages causés aux composants par des fluctuations de l'alimentation électrique ou de l'alimentation en eau.
- L'entretien normal, y compris les réglages, le nettoyage du système de carburant et le nettoyage des obstructions.
- Les dépenses de déplacement ou les frais d'expédition de machines ou de composants à des fins de réparation ou de remplacement de l'équipement.
- L'obligation de garantie du fabricant se limite à la réparation ou au remplacement des composants défectueux comme prévu dans le présent document. Le fabricant n'est pas responsable des autres pertes, dommages ou dépenses, y compris les dommages dus au transport, à un accident, à un abus, à un cas de force majeure, à une mauvaise utilisation, à la qualité de l'eau ou à une négligence. La garantie ne s'applique pas non plus aux dommages résultant de réparations effectuées à l'aide de pièces non originales ou de modifications réalisées par un personnel non agréé par l'usine, ni au défaut d'installation et d'utilisation de l'équipement conformément aux lignes directrices énoncées dans le manuel d'instruction.

## LIMITATION DE RESPONSABILITÉ

La responsabilité du FNA GROUP pour les dommages spéciaux, accessoires ou consécutifs est expressément exclue. La responsabilité du FNA GROUP ne peut en aucun cas dépasser le prix d'achat du produit en question. Le FNA GROUP met tout en œuvre pour s'assurer que toutes les illustrations et caractéristiques sont correctes, mais celles-ci n'impliquent pas une garantie que le produit est commercialisable ou adapté à un usage particulier, ou que le produit sera effectivement conforme aux illustrations et aux caractéristiques. Notre obligation au titre de la présente garantie est expressément limitée, à notre discrétion, au remplacement ou à la réparation, dans un centre de service ou une usine désignés par nous, de la ou des pièces dont l'inspection révélera qu'elles étaient défectueuses. **LA GARANTIE CONTENUE DANS LE PRÉSENT DOCUMENT REMPLACE TOUTES LES AUTRES GARANTIES EXPRESSES OU IMPLICITES, Y COMPRIS TOUTE GARANTIE IMPLICITE DE QUALITÉ MARCHANDE OU D'ADAPTATION À UN USAGE PARTICULIER, qui sont expressément limitées à la durée de la présente garantie écrite.** Le FNA GROUP® n'autorise aucune autre partie à faire des déclarations ou des promesses au nom du FNA GROUP® ou à modifier les conditions ou les limitations de quelque manière que ce soit. Il incombe à l'acheteur de s'assurer que l'installation et l'utilisation des produits sont conformes aux codes locaux. Bien que FNA s'efforce de garantir que ses produits sont conformes aux codes nationaux, elle ne peut être tenue responsable de la manière dont le client choisit d'utiliser ou d'installer le produit. Certains Etats et provinces n'autorisent pas la limitation de la durée d'une garantie implicite ou l'exclusion ou la limitation des dommages accessoires ou indirects, de sorte que la limitation ou l'exclusion susmentionnée peut ne pas s'appliquer.

FNA GROUP  
7152 99th Ave.  
Pleasant Prairie, WI 53158  
847 348-1500  
[www.fna-group.com](http://www.fna-group.com)

# REMARQUES

---

---

**CETTE PAGE A ÉTÉ INTENTIONNELLEMENT LAISSÉE BLANCHE**

**CETTE PAGE A ÉTÉ INTENTIONNELLEMENT LAISSÉE BLANCHE**







**LIRE ATTENTIVEMENT CE GUIDE AVANT L'UTILISATION**

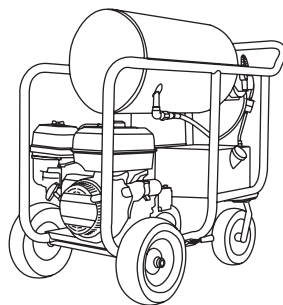
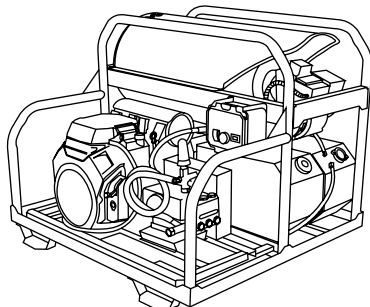
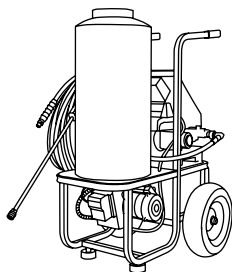
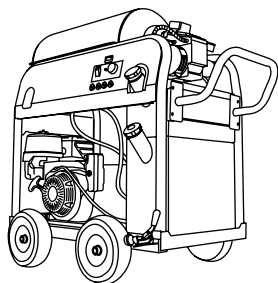
Le fait de ne pas suivre les instructions et les précautions de sécurité de ce guide peut entraîner des dommages matériels, des blessures graves et/ou la mort.

**CONSERVEZ CE GUIDE POUR RÉFÉRENCE ULTÉRIEURE**





# LAVADORA A PRESIÓN DE AGUA CALIENTE MANUAL DE USO Y CUIDADO



**MIRA ANTES  
DE BOMBEAR!**

— Porcentaje de etanol —

<10% **OK** **NO** 15% - 30% - 85%



## LEA ESTE MANUAL DETENIDAMENTE ANTES DE LA OPERACIÓN

El incumplimiento de las instrucciones y precauciones de seguridad de este manual puede provocar daños a la propiedad, lesiones graves y/o la muerte.

Si su lavadora a presión no funciona o si faltan partes o están rotas, **NO LA DEVUELVA AL LUGAR DE COMPRA**. Comuníquese con nuestro Departamento de Servicio al Cliente llamando al **1-877-362-4271** o enviando un correo electrónico a **[cservice@fna-group.com](mailto:cservice@fna-group.com)**

## CONSERVE ESTE MANUAL PARA FUTURA REFERENCIA

**NOTA:** Las fotografías y los dibujos lineales utilizados en este manual son sólo para referencia y pueden no representar su modelo específico.

# NOTAS

---

---

**ESTA PÁGINA SE DEJÓ EN BLANCO INTENCIONALMENTE**

## CONSERVE ESTE MANUAL PARA USO FUTURO

Conserve este manual para referencia futura. Este manual debe considerarse una parte permanente del producto y permanecer con él. Este manual debe estar disponible para cualquier persona que opere los productos que cubre. Este manual debe permanecer con el (los) producto(s) que cubre si se vende a un nuevo propietario. Si el manual se daña, se pierde o se vuelve inutilizable, puede descargar una nueva copia de las páginas del producto en [www.simpsoncleaning.com](http://www.simpsoncleaning.com) o comunicarse con el servicio de atención al cliente llamando al 1-877-362-4271.

Anote el número de modelo, el número de serie y la fecha de compra de este producto en los espacios proporcionados a continuación y luego guarde este manual con los recibos de compra para referencia futura.

Número de  
modelo:

---

Número de  
serie:

---

Fecha de  
compra:

---

# TABLA DE CONTENIDO

<b>INSTRUCCIONES DE SEGURIDAD</b>	<b>4</b>
Lea este manual antes de la operación	4
Símbolos de alerta de peligro	4
Instrucciones adicionales	6
<b>RENUNCIAS DE RESPONSABILIDAD</b>	<b>6</b>
<b>EQUIPO DE PROTECCIÓN PERSONAL</b>	<b>7</b>
<b>INSTRUCCIONES DE SEGURIDAD IMPORTANTES</b>	<b>7</b>
Impulsada por Gasolina o Diesel	7
Impulsada eléctricamente	15
<b>CONOZCA SU LAVADORA A PRESIÓN</b>	<b>17</b>
Terminología de Lavadora a presión	17
<b>ENSAMBLE</b>	<b>19</b>
Ensamble la pistola rociadora	19
Organización de accesorios	20
Adición de tapa de respirador de bomba	20
<b>CONEXIÓN DE MANGUERAS</b>	<b>21</b>
<b>CARACTERÍSTICAS DE OPERACIÓN DE LAVADORA A PRESIÓN</b>	<b>22</b>
Ajustes de presión	22
Cómo usar la varilla de rocío	23
Cambio de boquillas en la varilla de rocío	23
<b>UBICACIONES DE COMPONENTE</b>	<b>24</b>
Lavadora a presión impulsada por motor	24
Lavadora a presión montada en patín impulsada por motor	25
Lavadora a presión impulsada eléctricamente	26
<b>CÓMO APLICAR SOLVENTES DE LIMPIEZA</b>	<b>28</b>
<b>PREPARACIÓN DE MOTOR</b>	<b>29</b>
Aceite de motor de gasolina	29
Combustible de motor de gasolina	30
Aceite de motor diesel	32
Combustible de motor diesel	33
<b>CONEXIONES DE BATERÍA</b>	<b>33</b>
<b>PURGA DE AIRE DE LA BOMBA</b>	<b>34</b>
<b>LISTA DE VERIFICACIÓN DE OPERACIÓN</b>	<b>35</b>
Ubicación	35

Operación a gran altitud	36
Condiciones de operación	36
<b>ARRANQUE DEL MOTOR</b>	<b>38</b>
Motor de gasolina - Arranque eléctrico	38
Motor de gasolina - Arranque de retroceso	38
Arranque del motor - Diesel	39
<b>ARRANQUE DE LAVADORA A PRESIÓN ELÉCTRICA</b>	<b>40</b>
<b>OPERACIÓN CON AGUA CALIENTE</b>	<b>42</b>
Llenado de tanque de combustible de quemador	42
Arranque del quemador	42
<b>PARO DEL SISTEMA</b>	<b>43</b>
<b>CONSEJOS DE OPERACIÓN</b>	<b>44</b>
Preparación	44
Lavado a presión	44
<b>CONTADOR DE HORAS</b>	<b>44</b>
<b>MANTENIMIENTO</b>	<b>45</b>
Limpieza de lavadora a presión	45
Inspección previa al trabajo	45
Conexiones	45
Limpieza de boquillas	46
Filtro de entrada de agua	46
Mantenimiento del motor	47
Mantenimiento de la bomba	47
Tabla de programa de mantenimiento	48
<b>ALMACENAMIENTO Y TRANSPORTE</b>	<b>49</b>
Almacenamiento durante dos meses o menos (gasolina)	49
Almacenamiento durante dos meses o menos (diesel)	49
Almacenamiento durante dos meses o menos (eléctrico)	49
Almacenamiento durante dos meses o más (gasolina)	50
Almacenamiento durante dos meses o más (diesel)	50
Almacenamiento durante dos meses o más (eléctrico)	51
Transporte	51
<b>USO DE PUMP GUARD SIMPSON®</b>	<b>52</b>
<b>SOLUCIÓN DE PROBLEMAS</b>	<b>53</b>
Sistema de potencia: Impulsada por Gasolina o Diesel	53
Sistema de potencia: Impulsada eléctricamente	54
Sistema de bombeo	54
Sistema de quemador de calentamiento: Calentado por diesel	57
Sistema de quemador de calentamiento: Calentado por gas natural o propano líquido	60
<b>GARANTÍA LIMITADA</b>	<b>62</b>

# INSTRUCCIONES DE SEGURIDAD



## LEA ESTE MANUAL ANTES DE LA OPERACIÓN

Este manual contiene información e instrucciones de seguridad importantes. **No** opere este producto hasta que haya leído y entendido completamente todas las instrucciones de seguridad, operación y mantenimiento enumeradas en este manual. El incumplimiento de la información contenida en este manual resultará en daños a la propiedad, lesiones y/o muerte.

**NOTA:** Las advertencias y precauciones discutidas en este manual no pueden cubrir todas las condiciones y situaciones que puedan ocurrir. El operador debe comprender que la conciencia y la precaución son factores que no se pueden incorporar a este producto y, por lo tanto, deben ser ejercidos por el operador.



## SÍMBOLOS DE ALERTA DE PELIGRO

Asegúrese de comprender los símbolos de seguridad y las definiciones que se enumeran a continuación. Cada símbolo contiene una de cuatro palabras: **PELIGRO**, **ADVERTENCIA**, **PRECAUCIÓN**, **AVISO**, que indican diferentes niveles de severidad de peligro. Estos símbolos se utilizan a lo largo de este manual y se sigue la información sobre un peligro específico, las consecuencias del peligro y las instrucciones sobre cómo evitarlo. El no prestar atención a estos símbolos y seguir las instrucciones proporcionadas con ellos resultará en daños a la propiedad, lesiones y/o la muerte.



**PELIGRO:**

Indica una situación de peligro inminente que, si no se evita, provocará daños a la propiedad, lesiones graves y/o la muerte.



**ADVERTENCIA:**

Indica una situación potencialmente peligrosa que, si no se evita, podría provocar daños a la propiedad, lesiones graves y/o la muerte.



**PRECAUCION:**

Indica una situación peligrosa que, si no se evita, podría provocar daños a la propiedad y/o lesiones menores a moderadas.

**AVISO**

Indica información que se considera importante pero no está relacionada directamente con un peligro.

**CAUTION**



**TRIPPING HAZARD**

Hoses may pose a tripping hazard that can cause injuries resulting from a fall

**PRECAUCION:**

**PELIGROS DE RESBALÓN / TROPIEZO**

Cuando se lave a presión en áreas públicas, se deben colocar letreros que indiquen mantenerse alejado del área mientras se realiza el lavado a alta presión. Además, se deben colocar letreros que indiquen que la superficie puede estar resbaladiza y que puede haber riesgos de tropiezos.

Se debe prestar especial atención a la seguridad no solo del operador de la lavadora a presión, sino también de las personas que puedan estar junto al área que se está limpiando. La mejor manera de advertir a las personas desprevenidas es con señalización y barreras.

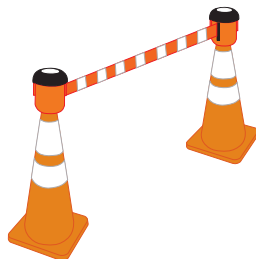
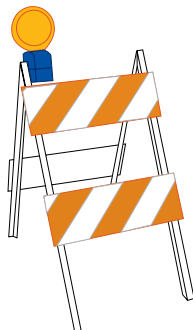
Las barreras pueden ser tan simples como conos de tráfico de plástico o barricadas para usar cinturones de barrera alrededor del área que se está limpiando. Recuerde, el lavado a presión puede desalojar el pavimento débil o roto convirtiéndolo en proyectiles que pueden lesionar a otros. Mantener a las personas alejadas del área es la mejor manera de evitar lesiones.

El pavimento mojado puede ser resbaladizo para las personas desprevenidas y causar lesiones por resbalones y caídas. Las mangueras de alta y baja presión pueden representar un riesgo de tropiezo. Segregar el área y colocar la señalización adecuada puede reducir las lesiones.

## Ejemplos de signos



## Ejemplos de barreras





## INSTRUCCIONES ADICIONALES

Junto con este manual, asegúrese de leer las instrucciones adicionales proporcionadas tanto en el producto como en el mismo, el equipo adjunto, los accesorios y el motor que alimenta el producto. Preste especial atención a todas las reglas e instrucciones de seguridad adicionales sobre los procedimientos adecuados de arranque, operación y apagado. Utilice siempre cualquier vestimenta protectora recomendada que pueda ser necesaria para operar el equipo de manera segura.



## ADVERTENCIA DE PROPUESTA 65 DE CALIFORNIA

Este producto y el escape del motor pueden exponerlo a sustancias químicas que en el estado de California se sabe que causan cáncer, defectos de nacimiento u otros daños reproductivos. Para obtener más información sobre la Propuesta 65 de California, visite [www.P65Warnings.ca.gov](http://www.P65Warnings.ca.gov).



## ADVERTENCIA DE HIDROCARBUROS AROMÁTICOS POLICÍCLICOS

El elemento del filtro de aire y el ensamblaje de la caja de aire pueden contener hidrocarburos aromáticos policíclicos (HAP). Algunos HAP pueden causar cáncer. Para evitar la exposición a los HAP, use guantes cuando realice el mantenimiento del filtro de aire.



## ADVERTENCIA: SILENCIADOR DE SUPRESIÓN DE CHISPAS

Este producto puede no estar equipado con un silenciador de supresión de chispas. Si el producto NO está equipado y se va a usar cerca de materiales inflamables o en terrenos cubiertos con materiales como cultivos agrícolas, bosques, maleza, pasto u otro material similar, DEBE instalarse un supresor de chispas y es un requisito legal en el estado de California.

Es una violación de la sección 130050 de los estatutos de California y/o las secciones 4442 y 4443 del Código de Recursos Públicos de California, a menos que el motor esté equipado con un supresor de chispas, como se define en la sección 4442, y se mantenga en buen estado de operación.

También se requieren supresores de chispas en algunos terrenos del Servicio Forestal de los EUA y también pueden ser requeridos legalmente bajo otros estatutos y ordenanzas.

## RENUNCIAS DE RESPONSABILIDAD



Toda la información de esta publicación se basó en la información de producto más reciente disponible en el momento de la impresión. FNA Group se reserva el derecho de actualizar, cambiar y/o mejorar el producto y este documento en cualquier momento, sin previo aviso y sin incurrir en ninguna obligación.

Este manual puede cubrir más de una máquina. Las imágenes y figuras del manual deben usarse sólo como referencia. Puede haber diferencias entre su producto y las imágenes, dibujos y diagramas de este manual.

Si presta, alquila o vende esta máquina, asegúrese de incluir todos los materiales de instrucción con la unidad!



# EQUIPO DE PROTECCIÓN PERSONAL(EPP)

Es importante comprender qué equipo de protección personal (EPP) se debe utilizar al usar su lavadora a presión. A continuación se muestra una lista de artículos de EPP que deben utilizarse en todo momento cuando se usa la lavadora a presión.

Audición - Tapones para los oídos u orejeras para proteger su audición.

Visión - Anteojos o gafas de seguridad para proteger sus ojos.

Ropa - Pantalones largos para proteger las piernas de los escombros que son arrojados.

Zapatos - Zapatos que cubran completamente sus pies para protegerlos contra los escombros y el rocío.

## INSTRUCCIONES IMPORTANTES DE SEGURIDAD: IMPULSADA POR GASOLINA O DIESEL



**ADVERTENCIA: VAPORES TÓXICOS**

El escape del motor contiene monóxido de carbono, un gas venenoso, inodoro e incoloro. Operar un motor en interiores lo matará en minutos. Nunca use este producto dentro de una casa, garaje o cualquier otro tipo de recinto, incluso si las puertas y ventanas están abiertas. Opere el motor en el exterior por lo menos a 20 pies (6 metros) de distancia de ventanas, puertas y ductos de ventilación. Considere cuidadosamente la dirección del viento y las corrientes de aire cuando utilice este producto al aire libre para evitar respirar el escape del motor. Siempre utilice un detector de monóxido de carbono en cualquier edificio ocupado cerca del motor en operación.

**NUNCA** use un motor o quemador de aceite dentro de casas, garajes, sótanos u otras áreas parcialmente cerradas. En estas áreas se pueden acumular niveles letales de monóxido de carbono. Usar un ventilador o abrir ventanas y puertas **NO** proporciona suficiente aire fresco.

Úselo **SOLAMENTE** al aire libre y lejos de ventanas, puertas o conductos de ventilación abiertos. Estas aberturas pueden atraer el escape del motor o del quemador. Nunca opere la lavadora a presión en o cerca de un lugar ocupado por humanos o animales.

Incluso cuando el motor se usa correctamente, el monóxido de carbono puede filtrarse en su hogar. **SIEMPRE** use un detector de monóxido de carbono alimentado por batería o con batería de respaldo en su hogar. **Lea, siga y comprenda todas las instrucciones** del detector de monóxido de carbono antes de usarlo o usar esta lavadora a presión. Si se siente enfermo, mareado o débil en cualquier momento, muévase inmediatamente al aire libre y luego busque atención médica. ¡Podría tener envenenamiento por monóxido de carbono!

 **ADVERTENCIA:**

No opere esta unidad hasta que haya leído este manual de instrucciones y el manual de instrucciones del motor para conocer las instrucciones de seguridad, operación y mantenimiento. Si tiene alguna pregunta sobre este producto, comuníquese con nuestro servicio de atención al cliente al 1-877-362-4271 o envíe un correo electrónico a: [cservice@fna-group.com](mailto:cservice@fna-group.com)

**CONSERVE ESTE MANUAL PARA USO FUTURO**



 **ADVERTENCIA:**

**LESIÓN POR INYECCIÓN**

Riesgo de inyección o lesiones graves. Manténgase alejado de la boquilla. **NO** dirija el chorro hacia personas, mascotas o animales. **NO** utilice una manguera de alta presión con fugas. **NO** intente reparar la manguera de alta presión, ¡**REEMPLÁCELA!**



 **PELIGRO:**

**RIESGO DE EXPLOSIÓN O INCENDIO**

QUÉ PUEDE SUCEDER	CÓMO PREVENIRLO
<p>El combustible derramado (gasolina, diesel, queroseno, combustibles alternativos aprobados) y sus vapores pueden encenderse debido a chispas de cigarrillos, arcos eléctricos, gases de escape y componentes calientes del motor, como el silenciador.</p>	<p>Apague el motor y deje que se enfríe antes de agregar combustible a los tanques.</p> <p>Durante el reabastecimiento de combustible, todas las fuentes de ignición y los interruptores deben estar en la posición APAGADO.</p> <p>Tenga cuidado al llenar el tanque para evitar derramar combustible. Aleje la lavadora a presión del área de abastecimiento de combustible antes de arrancar el motor.</p>
<p>El calor expandirá el combustible en el tanque, lo que podría provocar un derrame y un posible incendio o explosión.</p>	<p>Mantenga el nivel máximo de combustible 1/2" (12.7 mm) por debajo de la parte inferior del cuello de llenado para permitir la expansión.</p>
<p>Operar la lavadora a presión en un ambiente explosivo podría provocar un incendio.</p>	<p>Opere y rellene el combustible del equipo en áreas bien ventiladas y libres de obstrucciones. Mantenga a su alcance un extintor clasificado para incendios de gasolina.</p>

<p>Los materiales colocados contra o cerca de la lavadora a presión pueden interferir con sus características de ventilación adecuadas, causando sobrecalentamiento y posible ignición de los materiales.</p>	<p>Nunca opere la lavadora a presión en un área que contenga arbustos o maleza secos.</p>
<p>El combustible almacenado incorrectamente podría provocar una ignición accidental. El combustible mal asegurado podría caer en manos de niños u otras personas no calificadas.</p>	<p>Almacene el combustible del motor y del quemador en un recipiente limpio aprobado por OSHA, en un lugar seguro lejos del área de trabajo. No permita que entren escombros o humedad en el recipiente.</p>
<p>Rociar gasolina, queroseno o cualquier tipo de solvente inflamable con este producto podría provocar lesiones graves o la MUERTE.</p>	<p>No rocíe líquidos inflamables.</p>
<p>Los líquidos inflamables pueden generar vapores que pueden encenderse y causar daños a la propiedad o lesiones graves.</p>	<p>Sólo abastezca combustible en un área bien ventilada. Limpie cualquier derrame de inmediato y no arranque el motor en la misma área donde llenó los tanques.</p>



**PELIGRO:**

## **RIESGO PARA LA RESPIRACIÓN (ASFIXIACIÓN)**

<b>QUÉ PUEDE SUCEDER</b>	<b>CÓMO PREVENIRLO</b>
<p>¡Respirar los gases de escape causará lesiones graves o la MUERTE! El escape del motor contiene monóxido de carbono, un gas inodoro e incoloro.</p>	<p>Sólo opere la lavadora a presión en un área bien ventilada. NO lo use en áreas cerradas como un garaje, sótano, etc.</p> <p>Nunca opere la unidad en o cerca de un lugar ocupado por humanos o animales.</p> <p>Nunca conecte la lavadora a presión a una ventila de gas TIPO B.</p>
<p>Algunos líquidos de limpieza contienen sustancias que pueden causar lesiones en la piel, los ojos o los pulmones.</p>	<p>Use sólo líquidos de limpieza específicamente recomendados para lavadoras a presión. Siga las recomendaciones de los fabricantes. NO use blanqueador con cloro ni ningún otro compuesto corrosivo.</p>



## RIESGO DE INYECCIÓN DE LÍQUIDOS Y LACERACIÓN

QUÉ PUEDE SUCCEDER	CÓMO PREVENIRLO
<p>Su lavadora a presión funciona con presión de fluido y velocidades lo suficientemente altas como para penetrar la carne humana y de animales, lo que podría provocar amputaciones u otras lesiones graves. Las fugas causadas por accesorios sueltos o mangueras desgastadas o dañadas pueden provocar lesiones por inyección. <b>¡NO TRATE LA INYECCIÓN DE LÍQUIDO COMO UNA SIMPLE CORTE!</b> Consulte a un médico de inmediato.</p>	<p>Revise la manguera de alta presión regularmente. Reemplace la manguera inmediatamente si está dañada, desgastada, se ha derretido por el contacto con el motor o muestra señales de grietas, burbujas, agujeros u otras fugas. <b>NUNCA</b> sujete una manguera de alta presión que tenga fugas o esté dañada.</p> <p>Nunca toque una manguera de alta presión con un pequeño agujero o una fuga similar. El vapor de agua está bajo alta presión y <b>PENETRARÁ</b> en la piel.</p> <p>Nunca coloque las manos delante de la boquilla.</p> <p>Dirija el rociado lejos de usted mismo o de los demás.</p> <p>Asegúrese que la manguera esté en buenas condiciones y que las conexiones estén apretadas.</p> <p>No permita que la manguera entre en contacto con el silenciador.</p> <p>Nunca conecte ni quite la varilla o la manguera mientras el sistema esté presurizado.</p> <p>Utilice únicamente accesorios con una clasificación igual o superior a la clasificación de la lavadora a presión.</p>
<p>Pueden producirse lesiones si no se reduce la presión del sistema antes de intentar el mantenimiento o el desensamble.</p>	<p>Para aliviar la presión del sistema: apague el motor, cierre el suministro de agua y apriete el gatillo de la pistola hasta que se detenga el flujo de agua.</p>



## **! PELIGRO:**

## **RIESGO DE LESIONES POR ROCIADO**

<b>QUÉ PUEDE SUCCEDER</b>	<b>CÓMO PREVENIRLO</b>
<p>El fluido de alta velocidad puede hacer que los objetos se rompan, proyectando partículas a alta velocidad.</p>	<p>Utilice siempre gafas de seguridad. Use ropa protectora para protegerse contra el rociado accidental.</p> <p>Nunca apunte con la varita o rocíe a personas y/o animales.</p>
<p>Los objetos ligeros o no asegurados pueden convertirse en proyectiles peligrosos.</p>	<p>Siempre asegure el bloqueo del gatillo cuando la varilla no esté en uso para evitar el rociado accidental.</p> <p>Nunca asegure permanentemente el gatillo en la posición de retroceso (abierto).</p>

## **! PELIGRO:**

## **RIESGO DE LESIONES O DAÑOS A LA PROPIEDAD DURANTE EL TRANSPORTE O ALMACENAMIENTO**

<b>QUÉ PUEDE SUCCEDER</b>	<b>CÓMO PREVENIRLO</b>
<p>El combustible o el aceite pueden tener fugas o derrames y provocar un incendio o peligro respiratorio. Se pueden producir lesiones graves o la muerte. Las fugas de combustible o aceite dañarán la alfombra, la pintura u otras superficies en un vehículo o remolque.</p> <p>El aceite podría llenar el cilindro de compresión y dañar el motor si la unidad no se almacena o transporta en posición vertical.</p>	<p>Si la lavadora a presión está equipada con una válvula de cierre de combustible, gire la válvula a la posición de APAGADO antes de transportarla para evitar fugas de combustible. Si la lavadora a presión no está equipada con una válvula de cierre de combustible, drene el combustible del tanque antes de transportarla.</p> <p>Sólo transporte combustible en un contenedor aprobado por OSHA.</p> <p>Siempre coloque la lavadora a presión sobre un tapete protector cuando la transporte para proteger el vehículo contra daños por fugas.</p> <p>Siempre transporte y guarde la unidad en posición vertical. Retire la lavadora a presión del vehículo inmediatamente después de llegar a su destino.</p>



**! PELIGRO:**

**RIESGO DE OPERACIÓN INSEGURA**

<b>QUÉ PUEDE SUCEDER</b>	<b>CÓMO PREVENIRLO</b>
<p>La operación insegura de su lavadora a presión podría ocasionar lesiones graves o la muerte a usted u otras personas.</p>	<p>No use blanqueador con cloro ni ningún otro compuesto corrosivo.</p> <p>Familiarícese con el funcionamiento y los controles de la lavadora a presión.</p> <p>Mantenga el área de operación libre de personas, mascotas y obstáculos.</p> <p>No opere la unidad cuando esté fatigado o bajo la influencia de drogas y/o alcohol. Manténgase alerta en todo momento.</p> <p>Nunca comprometa las características de seguridad de la lavadora a presión.</p> <p>No opere la máquina con piezas faltantes, rotas o no autorizadas.</p> <p>Nunca deje la máquina desatendida mientras está en funcionamiento. Apague la máquina.</p> <p>No obstruya el escape del quemador.</p> <p>Nunca manipule la válvula de alivio térmico.</p> <p>No manipule la válvula de descarga.</p> <p>No modifique la lavadora a presión de ninguna manera.</p> <p>Nunca intente reparar una manguera de alta presión dañada. Reemplácela.</p>
<p>Si no se sigue el procedimiento de arranque adecuado, el motor puede retroceder causando lesiones graves en manos y brazos.</p>	<p>Jale del cable de arranque lentamente hasta que sienta resistencia, luego jale del cable rápidamente para evitar el contragolpe y prevenir lesiones en la mano o el brazo. Si el motor no arranca después de dos intentos, apriete el gatillo para liberar la presión de la bomba.</p>
<p>La pistola/varilla rociadora es una poderosa herramienta de limpieza que podría parecer un juguete para un niño.</p>	<p>Mantenga a los niños alejados de la lavadora a presión en todo momento.</p> <p>Nunca deje la lavadora a presión desatendida mientras está en funcionamiento.</p> <p>Siempre libere la presión del sistema una vez que haya detenido el motor.</p>

QUÉ PUEDE SUCEDER	CÓMO PREVENIRLO
<p>La fuerza reactiva del rociado hará que la pistola/varilla retroceda y podría causar que el operador se resbale, se caiga o dirija mal el rociado. El control inadecuado de la pistola/varilla puede provocar lesiones a uno mismo o a otras personas.</p>	<p>No se estire ni se pare sobre un soporte inestable.</p> <p>No use la lavadora a presión mientras está parado en una escalera.</p> <p>Sujete la pistola o la varilla firmemente con ambas manos. Espere que la pistola retroceda cuando se accione el gatillo.</p>



**! PELIGRO:**

**RIESGO DE DESCARGA ELÉCTRICA**

QUÉ PUEDE SUCEDER	CÓMO PREVENIRLO
<p>El rociado dirigido a receptáculos o interruptores eléctricos, u objetos conectados a un circuito eléctrico, podría provocar una descarga eléctrica fatal.</p>	<p>Dirija el rociado lejos de receptáculos, interruptores y equipos eléctricos.</p> <p>Nunca limpie ningún dispositivo eléctrico, incluso cuando esté desconectado, a menos que se indique claramente en su manual que dicha limpieza está aprobada.</p>



**! PELIGRO:**

**RIESGO DE QUEMADURA QUÍMICA**

QUÉ PUEDE SUCEDER	CÓMO PREVENIRLO
<p>El uso de ácidos, productos químicos tóxicos o corrosivos, venenos, insecticidas o cualquier tipo de solvente inflamable con esta lavadora a presión puede provocar lesiones graves o la muerte.</p>	<p>No rocíe ácidos, gasolina, queroseno o cualquier material inflamable con este producto. Utilice únicamente detergentes, limpiadores y desengrasantes domésticos que estén aprobados para su uso con lavadoras a presión.</p> <p>Use gafas, zapatos y ropa protectora para proteger los ojos y la piel del contacto con los materiales rociados.</p>

**! ADVERTENCIA:**

**RIESGO DE LESIONES POR LEVANTAMIENTO**

QUÉ PUEDE SUCEDER	CÓMO PREVENIRLO
<p>Se pueden producir lesiones graves al intentar levantar un objeto demasiado pesado.</p>	<p>La lavadora a presión es demasiado pesada para ser levantada por una sola persona. Obtenga ayuda de otras personas antes de levantar objetos.</p>

**! ADVERTENCIA:****RIESGO DE ESTALLIDO**

<b>QUÉ PUEDE SUCCEDER</b>	<b>CÓMO PREVENIRLO</b>
<p>El rociado a alta velocidad dirigido a las paredes laterales de los neumáticos (como los que se encuentran en automóviles, remolques y similares) podría dañar la pared lateral y provocar lesiones graves.</p>	<p>En lavadoras a presión de más de 1600 psi (11032 kPa), use el rociador de abanico más ancho (boquilla de 40°) y mantenga el rociado a un mínimo de 8" (20 cm) de la pared lateral de la llanta. No rocíe directamente la junta entre la llanta y el rin.</p>

**! ADVERTENCIA:****RIESGOS DE SUPERFICIES CALIENTES**

<b>QUÉ PUEDE SUCCEDER</b>	<b>CÓMO PREVENIRLO</b>
<p>El contacto con superficies calientes, como los componentes del escape del motor, podría provocar quemaduras graves.</p>	<p>Durante el funcionamiento, toque sólo las superficies de control de la lavadora a presión. Mantenga a los niños alejados de la lavadora a presión en todo momento. Es posible que no puedan reconocer los peligros de este producto.</p>
<p>El contacto con el rociado provocará quemaduras graves.</p>	<p>¡NO toque el rociado! SIEMPRE dirija el rociado lejos de usted mismo y de los demás.</p>

**AVISO****RIESGO DE DAÑO A LA PROPIEDAD**

<b>QUÉ PUEDE SUCCEDER</b>	<b>CÓMO PREVENIRLO</b>
<p>El calor del escape del silenciador y del quemador puede dañar las superficies pintadas, derretir cualquier material sensible al calor (como el revestimiento, el plástico, el hule, el vinilo o la propia manguera de presión) y dañar las plantas vivas.</p>	<p>Mantenga siempre la lavadora a presión a una distancia mínima de 4 pies (1.2 metros) de las superficies (como casas, automóviles o plantas vivas) que podrían dañarse con el calor del escape del silenciador.</p>

**CONSERVE ESTAS INSTRUCCIONES PARA USO FUTURO**



# INSTRUCCIONES IMPORTANTES DE SEGURIDAD: ACCIONAMIENTO ELÉCTRICO



## ADVERTENCIA DE PROPUESTA 65 DE CALIFORNIA

Este producto puede exponerlo a productos químicos, incluyendo plomo y compuestos de plomo, que el estado de California reconoce como causantes de cáncer, defectos de nacimiento u otros daños reproductivos. Para obtener más información sobre la Propuesta 65 de California, visite [www.P65Warnings.ca.gov](http://www.P65Warnings.ca.gov).



Lea todo el manual antes de intentar ensamblar, operar o instalar este producto.

Esta unidad fue diseñada para aplicaciones específicas. No debe ser modificado y/o utilizado para ninguna aplicación distinta a la que fue diseñada.

Guarde siempre la lavadora a presión en un lugar donde la temperatura no baje de 40° F (4° c). Los daños por congelamiento no están cubiertos por la garantía.

Si presta, alquila o vende esta máquina, ¡asegúrese de incluir todos los materiales de instrucción con la unidad!

## GUARDE Y LEA ESTAS INSTRUCCIONES

*Al usar este producto, siempre se deben seguir precauciones básicas, que incluyen las siguientes:*

- No toque el enchufe o el receptáculo con las manos mojadas
- Evite arranques accidentales. Mueva el interruptor de la unidad a la posición APAGADO antes de conectar o desconectar el cable de los receptáculos eléctricos.
- El rociado de agua nunca debe dirigirse hacia ningún cableado eléctrico o directamente hacia la lavadora a presión, ya que puede ocurrir una descarga eléctrica fatal.
- Nunca transporte ni jale su lavadora a presión por el cable eléctrico. No jale ni tire del cable para desconectarlo del receptáculo eléctrico.
- Para evitar daños, no se debe aplastar el cable, colocarlo junto a objetos afilados o cerca de una fuente de calor.
- Revise el cable de alimentación eléctrica antes de conectarlo a un receptáculo eléctrico. Los cables dañados pueden reducir el rendimiento o causar una descarga eléctrica fatal.
- Desconecte el enchufe de alimentación del receptáculo cuando no esté en uso y antes de desconectar la manguera de alta presión.
- La lavadora a presión no debe usarse en áreas donde pueda haber vapores inflamables. Una chispa eléctrica podría provocar una explosión o un incendio.
- Para minimizar la infiltración de agua en el motor de la lavadora a presión, ubique la lavadora a presión lo más lejos posible del sitio de limpieza durante la operación.
- Permita la libre circulación de aire hacia la lavadora a presión. Nunca cubra la lavadora a presión durante el funcionamiento o directamente después de su uso.

- Nunca desactive los dispositivos de seguridad de la lavadora a presión.
- Nunca use la lavadora a presión con un cable de extensión eléctrico. Mueva la lavadora a presión más cerca del receptáculo en su lugar.

## **SOBRECARGA DE MOTOR**

Esta lavadora a presión está equipada con un dispositivo de protección contra sobrecargas que apagará automáticamente el motor en caso de que consuma demasiada corriente o se sobrecaliente.

## **INSTRUCCIONES DE CONEXIÓN A TIERRA**

Este producto debe estar conectado a tierra. Si funciona mal o se descompone, la conexión a tierra proporciona una ruta de menor resistencia para que la corriente eléctrica reduzca el riesgo de descarga eléctrica. Este producto está equipado con un cable de alimentación que tiene un conductor de conexión a tierra y un enchufe con conexión a tierra. El enchufe debe conectarse en un receptáculo debidamente instalado y conectado a tierra que cumpla con todos los códigos y ordenanzas locales. NO utilice ningún tipo de adaptador de puesta a tierra.



**ADVERTENCIA:**

**CONEXIÓN A TIERRA ELÉCTRICA**

La conexión incorrecta del conductor de puesta a tierra del equipo puede resultar en riesgo de electrocución. Si tiene dudas sobre la conexión a tierra adecuada, haga que un electricista certificado verifique la instalación del receptáculo. No modifique el enchufe proporcionado con el producto si no encaja en el receptáculo instalado. No utilice ningún tipo de adaptador con este producto.

## **INTERRUPTOR DE CIRCUITO DE FALLA A TIERRA (GFCI) - (SI ESTÁ EQUIPADO)**

Esta lavadora a presión viene con un interruptor de circuito de falla a tierra (GFCI) integrado en el enchufe del cable de alimentación. Este dispositivo proporciona protección adicional contra el riesgo de descarga eléctrica. En caso de que sea necesario reemplazar el enchufe o el cable, use sólo piezas de repuesto idénticas que incluyan protección GFCI.

## **SUMINISTRO DE ENERGÍA E INFORMACIÓN ELÉCTRICA**

Este cable sólo debe conectarse a un tomacorriente instalado de acuerdo con los códigos y ordenanzas locales.

- A. Inspeccione el cable antes de usarlo. No lo use si el cable está dañado de alguna manera.
- B. Mantenga todas las conexiones secas y alejadas del suelo.
- C. No toque el enchufe con las manos mojadas.
- D. Para un producto de 250 voltios o menos, monofásico; este producto se proporciona con un interruptor de circuito de falla a tierra integrado en el enchufe. Si es necesario reemplazar el enchufe o el cable, use sólo piezas de repuesto idénticas.
- E. En la situación en la que la fuente de alimentación tenga una clasificación de más de 250 voltios y/o sea trifásica, este producto debe conectarse en un receptáculo protegido por un interruptor de circuito de falla a tierra.
- F. Lea los manuales de instrucciones antes de usar este producto.



*Para reducir el riesgo de electrocución, mantenga todas las conexiones secas y alejadas del suelo. ¡No toque el enchufe ni el receptáculo de la fuente de alimentación con las manos mojadas!*

---

## CONOZCA SU LAVADORA A PRESIÓN

### TERMINOLOGÍA DE LAVADORA A PRESIÓN

---

**Aceite de bomba de alta presión:** Un lubricante diseñado específicamente para su uso dentro de una bomba de agua a alta presión. El aceite preferido es SIMPSON® Premium Pump Crankcase Oil. Si este aceite no está disponible, se puede usar aceite SAE 15W-40. Consulte la sección sobre Mantenimiento de la bomba en este manual para conocer los intervalos de servicio de su bomba.

**Batería de 12 voltios CD** (si está equipada): La batería de 12 voltios opera el sistema de arranque eléctrico del motor. Después de arrancar el motor, el sistema cargará la batería y hará funcionar el quemador (si está equipado). La batería de 12 voltios deberá reemplazarse regularmente para garantizar un rendimiento constante.

**Bomba:** Dispositivo mecánico que acelera el movimiento del agua a través del sistema de lavado a presión. La presión es creada por el flujo restrictivo de la boquilla.

**Boquilla:** Un dispositivo para la dosificación de fluidos. El tamaño y el mecanizado del orificio determinan el patrón de rociado, así como la tasa de flujo para una presión determinada.

**BTU (unidad térmica británica):** La cantidad de trabajo o energía que se necesita para elevar la temperatura de una libra de agua en un grado Fahrenheit.

**Columna de agua** (si está equipado): Una medición de la presión del gas GN o LP por el desplazamiento del agua dentro del dispositivo de medición del manómetro.

**Contador de horas** (si está equipado): Un dispositivo de sincronización con pantalla analógica o digital que registra cuántas horas ha funcionado el motor de la lavadora a presión durante su vida útil. Utilice esta información para los intervalos de servicio de mantenimiento preventivo.

**Control de temperatura:** Un dispositivo que controla la temperatura del agua. El control de temperatura ajustable (si está equipado) permite al operador adaptar la temperatura a los requisitos de limpieza. Nunca ajuste el control sobre 195°F. El quemador se apagará automáticamente si el flujo de agua insuficiente a través del serpentín del quemador hace que la temperatura suba por encima del ajuste.

**CU:** Unidades de Limpieza. GPM multiplicado por PSI es igual a CU.

**Ensamble de quemador:** Un dispositivo utilizado para convertir el combustible en energía térmica. Se usa para calentar el agua en el ensamble del serpentín y está diseñado para usar combustible diesel #2 o queroseno.

**Ensamble de varilla de presión:** Colección de piezas que incluye la pistola, la varita y la boquilla.

**GPM:** Galones por minuto. Unidad de medida para el flujo de agua.

**Interruptor de flujo:** Un interruptor que responde a los cambios en el flujo de agua. El flujo de agua mueve un imán que opera una lengüeta o un microinterruptor. El interruptor controla el voltaje al solenoide de combustible en el sistema del quemador.

**Interruptor de presión:** Un interruptor eléctrico que se activa a niveles de presión preestablecidos a través de la función de un diafragma. El interruptor de presión se usa para controlar el solenoide de combustible en el sistema del quemador.

**Manguera de alta presión:** Una manguera de plástico o hule construida para soportar la salida de alta presión de una lavadora a presión. Nunca repare una manguera de alta presión, siempre reemplace la manguera dañada con una que tenga la misma o mayor presión y dentro del rango de temperatura de su lavadora a presión.

**Modo de derivación:** Permite que el agua recircule dentro de la bomba cuando no se aprieta el gatillo de la pistola. Esta función permite que el operador suelte el gatillo de la pistola y se reposicione sin tener que apagar el motor entre limpiezas.

**NOTA:** Nunca permita que la unidad funcione en modo de derivación durante más de dos minutos.

**Motor de gasolina** (si está equipado): Un motor de combustión interna que usa gasolina como combustible para crear fuerza de rotación para el trabajo mecánico.

**Motor diesel** (si está equipado): Un motor de encendido por compresión que usa combustible diesel para crear fuerza de rotación para el trabajo mecánico.

**Pistola rociadora:** Dispositivo que se sostiene para controlar la dirección y el flujo de agua a alta presión.

**PSI:** Libras por pulgada cuadrada. Unidad de medición para la presión de un fluido o gas. Exceder la presión máxima de funcionamiento podría causar daños a la unidad, **LESIONES GRAVES** o la **MUERTE**.

**Recipiente de EVAP** (si está equipado): Dispositivo que recolecta los vapores de combustible y luego los purga para que se quemen en el proceso de combustión.

**Sistema de inyección de productos químicos** (si está equipado): Mezcla limpiadores o solventes de limpieza con el agua para mejorar la efectividad de la limpieza.

**Suministro de agua:** La fuente de agua para la lavadora a presión. Por lo general, el requisito mínimo es el doble del volumen nominal de la máquina a 20 PSI.

**Varilla:** También conocida como lanza, es la pieza de extensión de la pistola al conector rápido para la boquilla.

**Válvula antirretorno:** Evita el reflujo de agua de la lavadora a presión a un sistema de agua potable.

**Válvula de alivio de presión:** Un dispositivo mecánico de protección que se abre a la atmósfera cuando la presión del sistema excede un nivel preestablecido. **NUNCA** manipule ni modifique la válvula de alivio de presión de ninguna manera. Se pueden producir **LESIONES GRAVES** o la **MUERTE**.

**Válvula de alivio de temperatura (TRV):** Un dispositivo de protección que se abre a la atmósfera si la temperatura sube por encima de un nivel preestablecido. La TRV generalmente se encuentra en el lado de salida de la bomba. Si la temperatura del agua aumenta demasiado debido a la recirculación, la válvula se abrirá y permitirá que entre agua más fría en la bomba. Entonces la válvula se cerrará.

**Válvula de descarga:** Un dispositivo mecánico que se ajusta a sí mismo debido a la velocidad y la presión del fluido que fluye a través de él. En una lavadora a presión, la válvula de descarga desvía el agua a través de la bomba cuando se suelta el gatillo de la pistola. Esto permite que el agua circule a través de la bomba sin deshacer la acumulación de presión. La válvula de descarga se puede utilizar como dispositivo regulador de presión en determinadas situaciones.

---

---

## ENSAMBLE

---

---

Siga los pasos descritos en esta sección para ensamblar su lavadora a presión. Si tiene alguna pregunta sobre el ensamble de su lavadora a presión, tenga a mano su número de modelo y número de serie, y comuníquese con atención al cliente al 1-877-362-4271 o envíe un correo electrónico a [cservice@fna-group.com](mailto:cservice@fna-group.com).

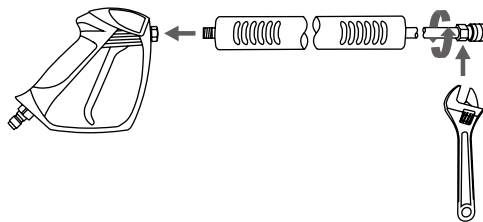


### **ADVERTENCIA: LESIÓN POR INYECCIÓN**

Las altas presiones creadas por una lavadora a presión pueden causar lesiones por inyección de líquido, laceraciones graves, amputaciones y/o la muerte. Para evitar estos peligros, siempre apunte la pistola rociadora y la lanza en una dirección segura cuando use una lavadora a presión y nunca intente tocar una fuga en una manguera o accesorio de alta presión.

## ENSAMBLE LA PISTOLA ROCIADORA

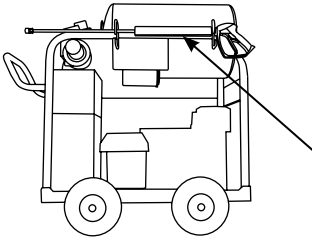
Enrosque a mano la lanza en el sentido de las manecillas del reloj en la pistola. Tenga cuidado de no trasroscar la pistola y la lanza. Con una llave ajustable, apriete la lanza colocando la llave en las partes planas del conector rápido de la boquilla.



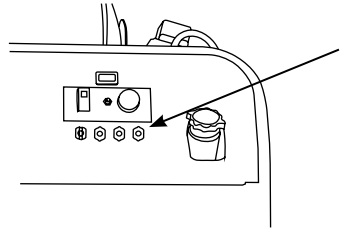
**¡ADVERTENCIA!** Las roscas del acoplador de la lanza y la pistola se pueden trasroscar fácilmente, lo que resulta en un montaje inadecuado. Un montaje incorrecto de la pistola y la lanza puede provocar lesiones personales. No lo use si las roscas del acoplador de la pistola y/o la lanza están trasroscadas.

## ORGANICE LOS ACCESORIOS

1. Coloque la pistola y la lanza en los soportes.



2. Empuje las boquillas en los soportes de las arandelas de hule.



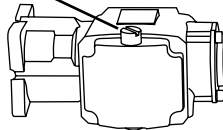
Nota: La unidad que se muestra anteriormente se usa como ejemplo. Su unidad puede variar en apariencia y colocación de accesorios.

## CÓMO AGREGAR LA TAPA DEL RESPIRADERO DE LA BOMBA (si corresponde)

El tapón de envío ROJO, en la parte superior de la bomba, debe reemplazarse con una tapa de ventilación NEGRA. La tapa es fácil de reemplazar con los siguientes pasos:

1. Con un destornillador plano, quite el tapón ROJO de transporte de la parte superior de la bomba.
2. Enrosque a mano la tapa NEGRA del respiradero en la bomba.
3. Apriete la tapa con los dedos.

Tapón de transporte  
ROJO



Tapón de respirador NEGRO

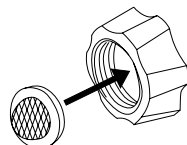
# CONEXIÓN DE MANGUERAS

---

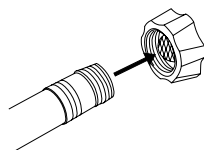
Antes de conectar una manguera de suministro de agua, asegúrese que el suministro de agua sea capaz de proporcionar una fuente ininterrumpida de agua fría y limpia a una velocidad mínima de 5 galones por minuto (GPM) y 20 libras por pulgada cuadrada (PSI) de presión. Una vez que haya asegurado un suministro de agua adecuado, siga las instrucciones a continuación para conectar tanto el suministro de agua como las mangueras de alta presión a la lavadora a presión.

---

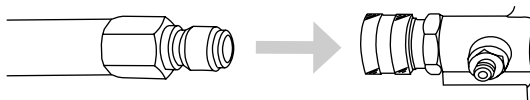
1. Verifique que el filtro de entrada esté libre de suciedad o escombros y que esté en su lugar con el lado convexo hacia afuera.



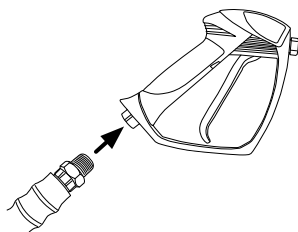
2. Abra el suministro de agua y déjelo correr durante 30 segundos para purgar cualquier residuo de la manguera de suministro. Después, cierre el suministro de agua y enrosque la manguera de suministro de agua en la entrada de la bomba.



3. Mientras jala hacia atrás del collar de salida de la bomba, inserte el conector de la manguera y después suelte el collar. Jale suavemente la manguera para asegurarse que esté bloqueada.



4. Enrosque la manguera de alta presión en la pistola.



# CARACTERÍSTICAS DE OPERACIÓN DE LAVADORA A PRESIÓN

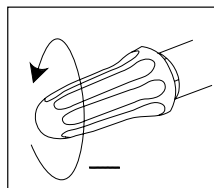
**¡IMPORTANTE!** Familiarícese con estas características antes de operar la lavadora a presión.

## AJUSTES DE PRESIÓN (si corresponde)

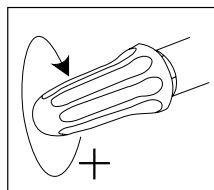
El ajuste de presión está predeterminado de fábrica para lograr una presión y una limpieza óptimas. Si necesita bajar la presión, se puede lograr mediante los siguientes métodos.

1. Aléjese de la superficie a limpiar. Cuanto más aleje la boquilla de la superficie, menor será la presión.
2. Utilice el patrón de boquillas más amplio posible disponible. Cuanto más ancho sea el patrón del agua, menor será la presión.
3. Esta lavadora a presión puede estar equipada con una función adicional que permite ajustar la configuración de presión

A. Para bajar la presión, gire la perilla de la válvula de descarga en sentido contrario a las manecillas del reloj hasta la presión deseada.



B. Para regresar la presión de la bomba a la configuración de fábrica, gire la perilla de la válvula de descarga en el sentido de las manecillas del reloj hasta que se detenga.



## AVISO

### AJUSTE CON CUIDADO

NO apriete demasiado la perilla de control de presión. Si se aprieta demasiado, la perilla PODRÍA romperse y ocasionar una pérdida inmediata de presión de agua y costosas reparaciones de la unidad.



## AVISO


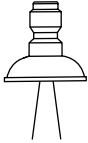
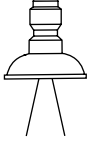
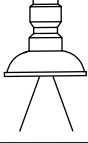

### DAÑO POR ROCÍO

El rociado de alta presión puede dañar las plantas y otras superficies. Para evitar causar daños, cubra las plantas antes de rociar cerca de ellas, consulte la tabla de Selección de boquillas en este manual para la selección correcta de boquillas y pruebe las superficies antes de rociar para asegurarse que sean lo suficientemente fuertes para resistir el rociado de alta presión.



## CÓMO USAR LA VARILLA ROCIADORA

Las boquillas para la varilla rociadora se almacenan en el portaboquillas en el ensamble del panel. Los colores en el panel identifican la ubicación de la boquilla y el patrón de rociado. Consulte la tabla a continuación para elegir la boquilla correcta para el trabajo a realizar.

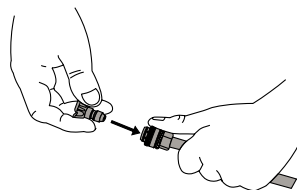
COLOR DE BOQUILLA	PATRÓN DE ROCIADO	USOS	SUPERFICIES*
ROJA 0°		Punta potente para la limpieza de manchas de superficies duras sin pintar o para áreas de gran alcance.	Metal y concreto sin pintar. NO usar en madera.
AMARILLA 15°		Limpieza intensa de superficies duras y sin pintar.	Parrillas, entradas para vehículos, pasillos de concreto y ladrillo, bloque y estuco sin pintar.
VERDE 25°		Boquilla de limpieza estándar para la mayoría de aplicaciones.	Herramientas de jardín, aceras, muebles de jardín, revestimientos sin pintar, estuco, canaletas, aleros, superficies de concreto y ladrillo
BLANCA 40°		Limpieza de superficies pintadas o delicadas.	Automóviles/RV, marino, madera, ladrillo pintado y estuco, vinilo, superficies pintadas
NEGRA (JABÓN)		Aplica soluciones de limpieza.	El rociado a baja presión es seguro en todas las superficies. Siempre verifique la compatibilidad de las soluciones de limpieza antes de su uso.

**\*¡AVISO!** El rociado de alta presión de su lavadora a presión es capaz de dañar superficies como madera, vidrio, pintura automotriz, molduras y molduras de automóviles, así como objetos delicados como flores y matorrales. Antes de rociar, verifique el artículo que se va a limpiar para asegurarse que sea lo suficientemente fuerte como para resistir el daño causado por la fuerza del rociado.

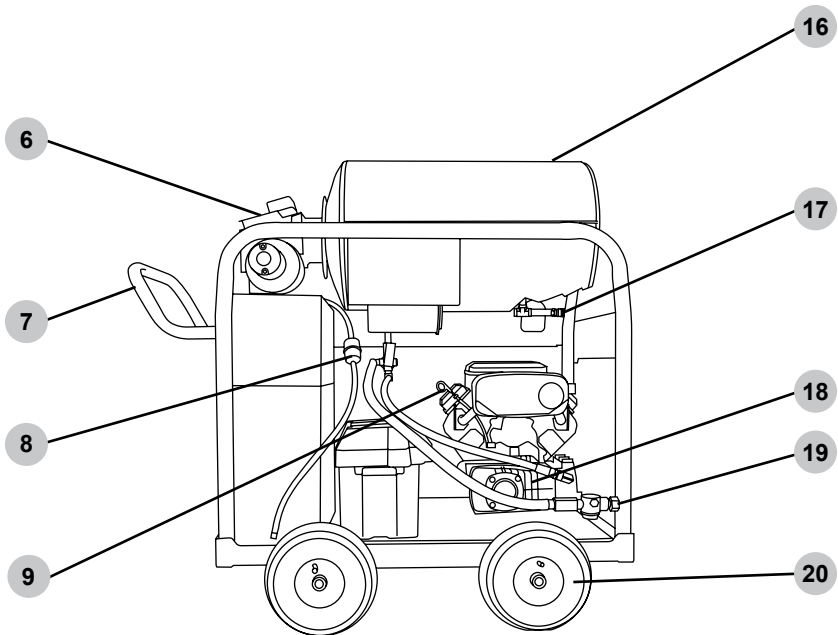
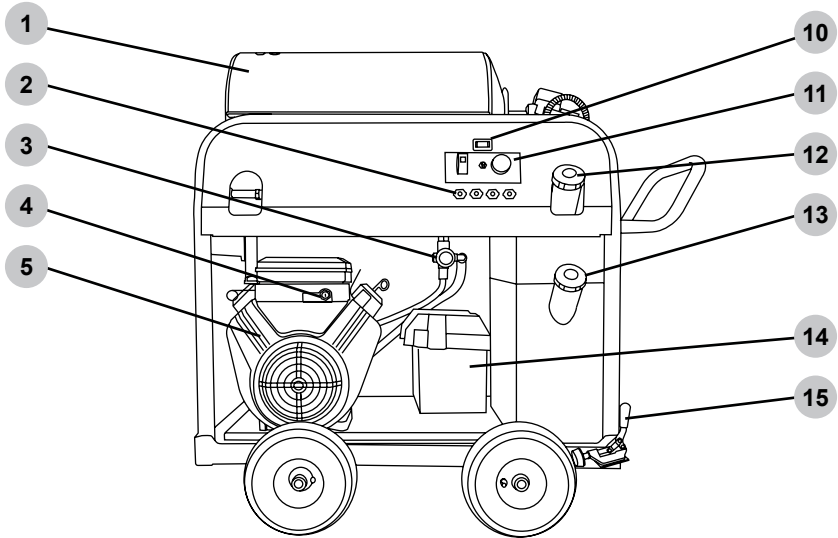
## Instalación de boquillas

Si el motor está funcionando, asegúrese que el bloqueo del gatillo esté en la posición bloqueada antes de retirar e instalar las boquillas.

Para colocar una boquilla en la varilla de rociado, jale el acoplador de conexión rápida hacia atrás, inserte la boquilla y luego suelte el acoplador para que vuelva a colocarse en su lugar. Una vez instalada, jale la boquilla para asegurarse que quede fija.

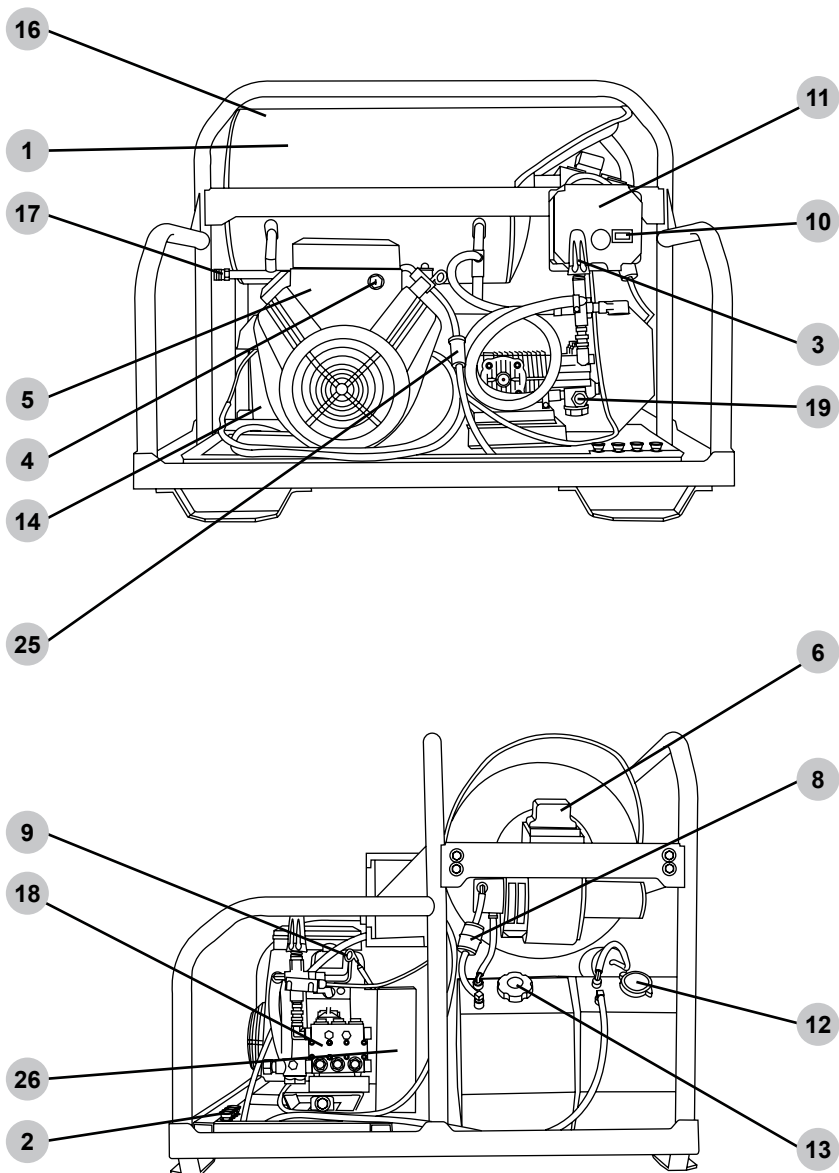


# UBICACIONES DE COMPONENTE



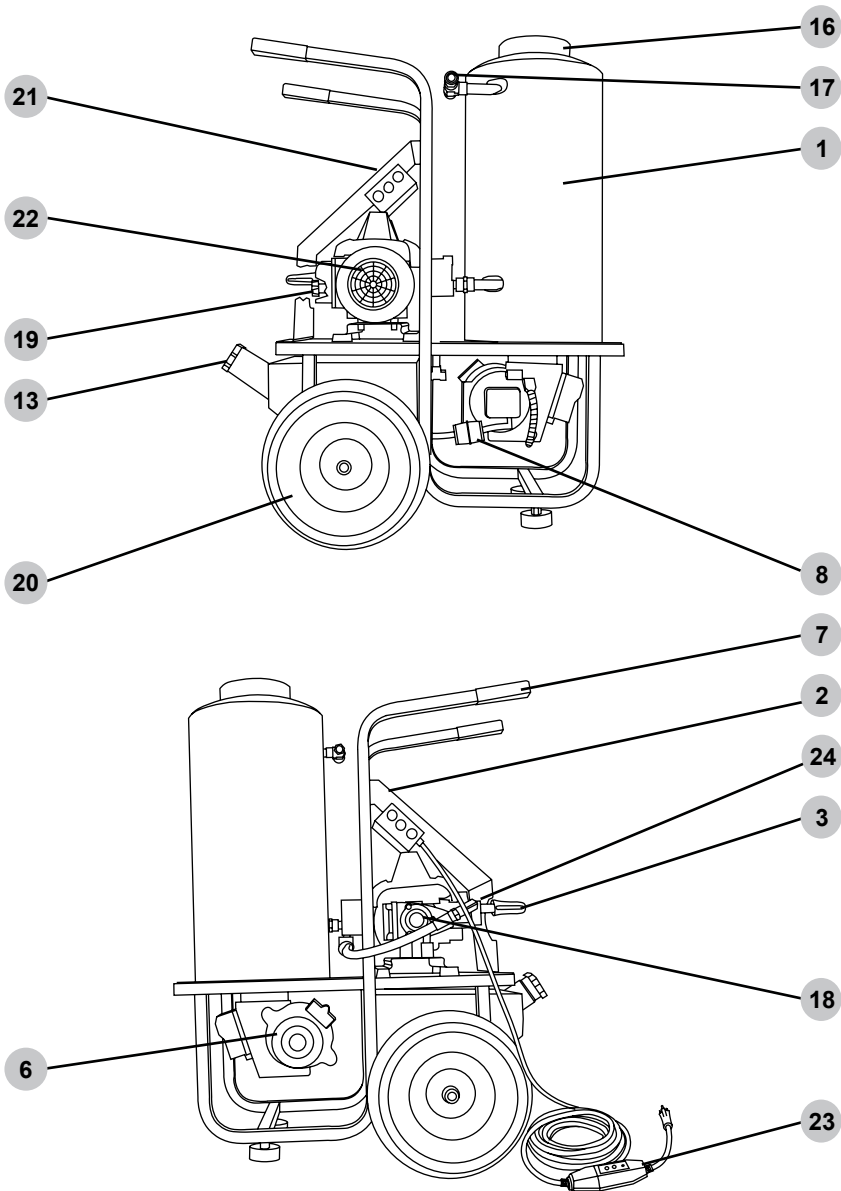
## LAVADORA A PRESIÓN IMPULSADA POR MOTOR

Estas ilustraciones son para que se familiarice con las piezas y sus ubicaciones. Su unidad puede variar en opciones y su ubicación.



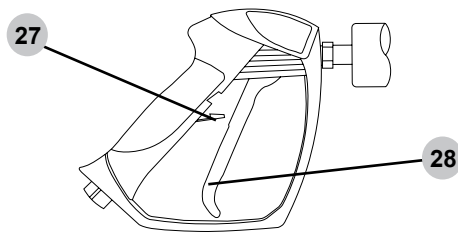
## LAVADORA A PRESIÓN MONTADA EN PATÍN IMPULSADA POR MOTOR

Estas ilustraciones son para que se familiarice con las piezas y sus ubicaciones. Su unidad puede variar en opciones y su ubicación.



## LAVADORA A PRESIÓN IMPULSADA ELÉCTRICAMENTE

Estas ilustraciones son para que se familiarice con las piezas y sus ubicaciones. Su unidad puede variar en opciones y su ubicación.



1. Alojamiento de quemador
2. Soportes de boquilla
3. Válvula de descarga, vea la página **21**.
4. Arranque con llave de motor (si aplica). Consulte el Manual del propietario del motor respecto a la ubicación y la operación.
5. Motor. Consulte el Manual del propietario del motor respecto a las instrucciones de operación.
6. Ensamble de quemador de aceite
7. Manija
8. Filtro de combustible para quemador diesel
9. Varilla de medición de aceite. Consulte el Manual del propietario del motor respecto a la ubicación.
10. Contador de horas, vea la página **43**.
11. Tablero de control de quemador, vea la página **41**.
12. Relleno de tanque de combustible del motor, vea la página **29** para gasolina o la página **32** para diesel.
13. Relleno de tanque de combustible de quemador, vea la página **41**.
14. Caja de batería, vea la página **32**.
15. Bloqueo de rueda
16. Puerto(s) de escaque de quemador.
17. Salida de alta presión, vea la página **20**.
18. Bomba
19. Entrada y filtro de agua de baja presión, vea la página **20**.
20. Llanta
21. Interruptores de encendido/apagado de bomba y quemador, vea la página **39**.
22. Motor eléctrico
23. Cable de suministro de energía con protección GFCI en línea, vea la página **40**.
24. Inyector de jabón integrado, vea la página **27**.
25. Filtro de combustible de gasolina
26. Protección de banda
27. Bloqueo de gatillo de pistola rociadora
28. Gatillo de pistola rociadora

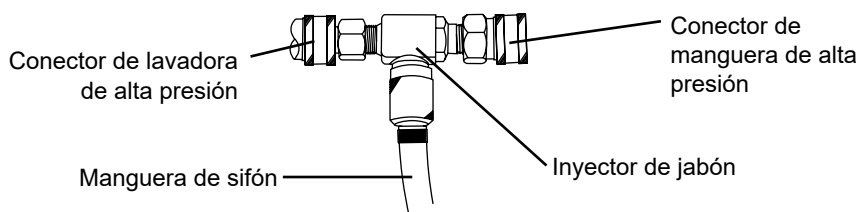
# CÓMO APLICAR SOLVENTES DE LIMPIEZA (si está equipado)

La aplicación de solventes y jabones de limpieza es una operación de baja presión.

**NOTA:** Sólo use solventes, detergentes y jabones diseñados para uso en lavadoras a presión.

**¡NO** use blanqueador, soluciones cáusticas o inflamables!

1. Asegúrese que el inyector de jabón externo esté conectado a la salida de alta presión de la lavadora. (Fig. 1)

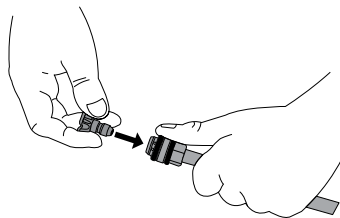


**Fig. 1**

2. Coloque el extremo filtrado de la manguera del sifón en el recipiente que contiene el detergente de limpieza.

3. Si el motor está funcionando, asegúrese que el bloqueo del gatillo esté en la posición bloqueada antes de retirar e instalar las boquillas.

4. Inserte la boquilla negra de baja presión en el accesorio de conexión rápida de la varilla rociadora, consulte **Cómo usar la varilla rociadora (pág. 20)** de este manual para obtener más información.



5. (Si está equipado) gire la válvula de control de jabón en el sentido contrario a las manecillas del reloj para aumentar la salida de jabón y en el sentido de las manecillas del reloj para disminuir la salida de jabón.

6. Después de usar agentes de limpieza, coloque la manguera de sifón de productos químicos en un recipiente con agua limpia. Extraiga el agua limpia a través del sistema de inyección para enjuagarlo completamente. Si no se enjuaga bien, el sistema de inyección puede obstruirse con detergente seco.



**AVISO**

**LÍQUIDOS VOLÁTILES**

El lavado a presión con líquidos volátiles, inflamables o corrosivos podría causar daños, incendio o explosión en la lavadora a presión y provocar lesiones graves y/o la muerte. Para evitar estos peligros, use únicamente jabones y productos químicos aprobados, no intente lavar a presión con líquidos volátiles, inflamables o corrosivos y NUNCA use blanqueador.

# PREPARACIÓN DE MOTOR



## AVISO

### LLENE EL MOTOR ANTES DE USAR

El motor se envía de fábrica sin aceite. Operar el motor sin aceite resultará en daños severos al motor y anulará la garantía. Para evitar dañar el motor y anular la garantía, llene el motor con el tipo de aceite recomendado antes de arrancar.



## AVISO

### USE ACEITE DE MOTOR CORRECTO

El aceite es un factor importante en el desempeño y la vida útil de cualquier motor. El uso de aceite incorrecto puede dañar el motor y anular la garantía. Para evitar dañar el motor y anular la garantía, revise y cambie el aceite conforme sea necesario utilizando el aceite de motor correcto.



## AVISO

### LEA EL MANUAL DEL MOTOR

Este manual es una guía sobre cómo usar la lavadora a presión y sus componentes. El manual de su motor es el depósito de toda la información que necesita para la operación y el mantenimiento seguros del motor. Lea y comprenda el manual del operador del motor antes de usar el motor.

## MOTOR DE GASOLINA

### Aceite

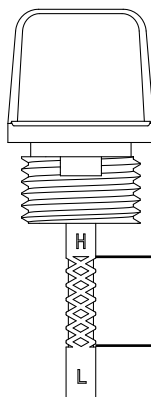
Antes de usar la lavadora a presión, debe llenar el motor con el tipo y la cantidad correctos de aceite lubricante. Cuando revise y llene el motor con aceite, asegúrese que la lavadora a presión esté asentada sobre una superficie nivelada.

Utilice el manual del operador del motor durante los siguientes pasos:

1. Retire la varilla de medición del motor.

Si bien el estilo puede diferir del que se muestra a la derecha, todos tendrán marcas indicadoras para mostrar el nivel de aceite correcto dentro del cárter.

2. El Manual del operador del motor contiene información importante sobre el peso del aceite para las condiciones de operación dadas. Por lo general, el aceite de motor SAE 10W-30 API SG o más nuevo será suficiente para la mayoría de las condiciones de operación. Si opera a altas temperaturas o en condiciones muy sucias, consulte el Manual del operador del motor para obtener recomendaciones sobre el aceite.



Límite superior de aceite

Límite inferior de aceite

3. Llene el cárter con el tipo y la cantidad correctos de aceite, NO lo llene en exceso. Coloque la varilla de medición en el motor, pero no la atornille (cuando corresponda). Retire la varilla de medición para verificar el nivel de aceite. Si el nivel es bajo, agregue con cuidado una pequeña cantidad de aceite y luego verifique el nivel nuevamente con la varilla de medición.

4. Una vez que se alcanza el nivel correcto, apriete a mano la varilla de medición en el cuerpo del motor.



# AVISO

## SENSOR DE ACEITE BAJO

El sensor de bajo nivel de aceite (si está equipado) detendrá automáticamente el motor cuando el nivel de aceite caiga por debajo del límite de seguridad. Para evitar un paro inesperado, verifique el nivel de aceite con regularidad, llene hasta el límite superior y siempre opere el motor en una superficie nivelada.

## MOTOR DE GASOLINA

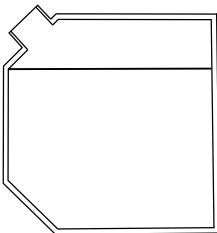
### Combustible



Es imperativo utilizar gasolina nueva (menos de 30 días) con un octanaje mínimo de 87 y un nivel máximo de alcohol etílico del 10%.

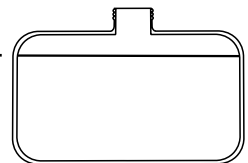
Agregue combustible a la lavadora a presión siguiendo estos pasos:

1. Verifique el combustible con el motor apagado y la lavadora a presión en una superficie nivelada.
2. Retire la tapa de combustible para verificar el nivel de combustible. Para conocer la ubicación de la tapa de combustible, consulte la sección **UBICACIÓN DE COMPONENTES** de este manual.
3. Use gasolina limpia y fresca, regular sin plomo con un octanaje mínimo de 87. ¡No mezcle combustible y aceite! Utilice únicamente combustible con un nivel máximo de alcohol etílico del 10%. E15, E20 y E85 no son combustibles aprobados. **SE PUEDEN PRODUCIR DAÑOS AL MOTOR AL UTILIZAR ESTOS COMBUSTIBLES.**
4. No llene el tanque de combustible por encima del nivel máximo de combustible para dejar espacio para la expansión en uso.
5. Vuelva a colocar la tapa de combustible. Nunca opere el motor o la lavadora a presión sin las tapas de combustible instaladas.



Tanque montado en bastidor

Nivel máximo de combustible



Tanque montado en el motor



NOTA: El uso de un estabilizador de combustible (se vende por separado) al almacenar gasolina puede ayudar a prevenir problemas relacionados con la gasolina mezclada con alcohol etanol. Siga siempre las instrucciones de la botella y mezcle bien.



## **ADVERTENCIA:**

## **ABASTECIMIENTO DE COMBUSTIBLE**

La gasolina es altamente inflamable y sus vapores son extremadamente explosivos. Los incendios y explosiones pueden causar quemaduras graves y/o la muerte. Mantenga la gasolina alejada de llamas, chispas y otras fuentes de ignición. Rellene el combustible al aire libre en un área bien ventilada con el motor parado y frío. Limpie la gasolina derramada y deje que el motor se seque antes de arrancar. Mantenga un extintor de incendios a mano mientras recarga combustible. No opere el motor con fugas en el sistema de combustible. No almacene gasolina cerca de otros materiales inflamables.



## **AVISO**

## **GASOLINA VIEJA**

La gasolina vieja puede crear depósitos que obstruyan los sistemas de combustible y dificulten el arranque y desempeño deficiente. Los daños causados por combustible viejo no están cubiertos por la garantía. Para minimizar los depósitos, evitar problemas de desempeño relacionados con el combustible antiguo y evitar costosos trabajos de reparación, no utilice gasolina con una antigüedad superior a 30 días.



## **AVISO**

## **MEZCLAS DE ALCOHOL**

El uso de gasolina con una mezcla de alcohol superior al 10% (E10) dañará el motor. Los daños causados por el uso de una mezcla de alcohol del 15% (E15), 85% (E85) o cualquier otra mezcla de alcohol superior al 10% (E10) no están cubiertos por la garantía. Para evitar daños en el motor causados por una mezcla de alcohol demasiado alta, use gasolina con un 10% de alcohol (E10) o menos.



## **AVISO**

## **ADITIVOS DE GASOLINA**

El uso de aditivos de limpieza del sistema de combustible puede dañar el motor y los sistemas de combustible. Los daños causados por el uso de aditivos de limpieza del sistema de combustible no están cubiertos por la garantía. Para evitar daños al motor y al sistema de combustible, no utilice aditivos de limpieza del sistema de combustible.



## **AVISO**

## **ALMACENAMIENTO DE GASOLINA**

Es importante evitar que se formen depósitos de hule en las partes esenciales del sistema de combustible, como el carburador, el filtro de combustible, la manguera de combustible o el tanque durante el almacenamiento. Los combustibles mezclados con alcohol atraen la humedad, lo que conduce a la separación y formación de ácidos durante el almacenamiento. Los depósitos de combustible ácido y hule pueden dañar el sistema de combustible del motor mientras está almacenado. Los daños causados por el uso de combustible viejo, rancio o contaminado no están cubiertos por la garantía.



# AVISO

## LEA EL MANUAL DEL MOTOR

Este manual es una guía sobre cómo usar la lavadora a presión y sus componentes. El manual de su motor es el depósito de toda la información que necesita para la operación y el mantenimiento seguros del motor. Lea y comprenda el manual del operador del motor antes de usar el motor.

### MOTOR DIESEL

#### Aceite

Antes de usar la lavadora a presión, debe llenar el motor con el tipo y la cantidad correctos de aceite lubricante. Cuando revise y llene el motor con aceite, asegúrese que la lavadora a presión esté asentada sobre una superficie nivelada.

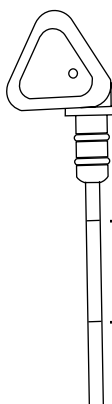
Utilice el manual del operador del motor durante los siguientes pasos:

1. Retire la varilla de medición del motor. Si bien el estilo puede diferir del que se muestra a la derecha, todos tendrán marcas indicadoras para mostrar el nivel de aceite correcto dentro del cárter.

2. El Manual del operador del motor contiene información importante sobre el peso del aceite para las condiciones de operación dadas. Por lo general, el aceite de motor SAE 15W-40 API ISO 100 será suficiente para la mayoría de las condiciones de operación. Si opera a altas temperaturas o en condiciones muy sucias, consulte el Manual del operador del motor para obtener recomendaciones sobre el aceite.

3. Llene el cárter con el tipo y la cantidad correctos de aceite, NO lo llene en exceso. Coloque la varilla de medición en el motor, pero no la atornille (cuando corresponda). Retire la varilla de medición para verificar el nivel de aceite. Si el nivel es bajo, agregue con cuidado una pequeña cantidad de aceite y luego verifique el nivel nuevamente con la varilla de medición.

4. Una vez que se alcanza el nivel correcto, asegúrese que la varilla de medición esté apretada dentro del bloque del motor.



**Límite superior  
de aceite**

**Límite inferior  
de aceite**



# AVISO

## SENSOR DE ACEITE BAJO

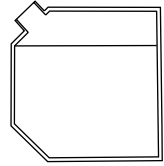
El sensor de bajo nivel de aceite (si está equipado) detendrá automáticamente el motor cuando el nivel de aceite caiga por debajo del límite de seguridad. Para evitar un paro inesperado, verifique el nivel de aceite con regularidad, llene hasta el límite superior y siempre opere el motor en una superficie nivelada.

## MOTOR DIESEL

### Combustible

Agregue combustible a la lavadora a presión siguiendo estos pasos:

1. Verifique el combustible con el motor apagado y la lavadora a presión en una superficie nivelada.
2. Retire la tapa de combustible para verificar el nivel de combustible. Para conocer la ubicación de la tapa de combustible, consulte la sección UBICACIÓN DE COMPONENTES de este manual.
3. Use combustible diesel #2 nuevo y de alta calidad para el motor. Llene el tanque hasta un máximo de 1" por debajo del cuello de llenado para dejar espacio para la expansión.
4. Vuelva a colocar la tapa de combustible. Nunca opere el motor o la lavadora a presión sin las tapas de combustible instaladas.



Nivel máximo de combustible

---

## CONEXIONES DE BATERÍA (si está equipado)

---

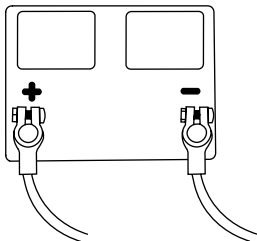


**PELIGRO:**

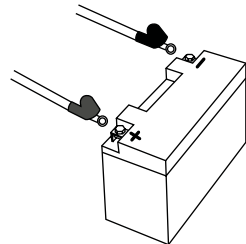
**RIESGO DE QUEMADURA DE ÁCIDO**

La hidrolimpiadora no viene con batería. Debe instalar una batería de tamaño Grupo 24 -O- U1 antes de usar la lavadora a presión. Consulte a su lavadora a presión para determinar el tamaño requerido como se indica a continuación.

### Estilo de batería Grupo 24



### Estilo de batería U1



1. Retire la tapa de la caja de la batería (si corresponde).
2. Coloque con cuidado la batería en la caja de la batería.
3. Coloque el cable rojo positivo (+) de la batería en el poste positivo (+) de la batería. Apriete la abrazadera.
4. Coloque el cable negro negativo (-) de la batería en el poste negativo (-) de la batería. Apriete la abrazadera.
5. Apriete el soporte de la batería o vuelva a colocar la tapa en la caja de la batería.

**¡ADVERTENCIA!** Retire siempre el cable negro negativo (-) de la batería primero y siempre conecte el cable negro negativo (-) de la batería al final.

# PURGA DE AIRE DE LA BOMBA



## AVISO

### PURGA DE BOMBA

Operar una bomba de lavadora a presión sin agua dañará gravemente los sellos de la bomba y otros componentes internos. Para evitar este peligro, asegúrese que el suministro de agua sea ininterrumpido y de por lo menos 5 GPM a 20 PSI y siempre purgue el aire de la bomba de la lavadora a presión antes de arrancar el motor.



## ADVERTENCIA:

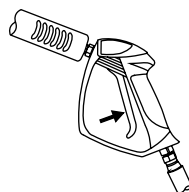
### LESIÓN POR INYECCIÓN

Las altas presiones creadas por una lavadora a presión pueden causar lesiones por inyección de líquido, laceraciones graves, amputaciones y/o la muerte. Para evitar estos peligros, siempre apunte la pistola rociadora y la lanza en una dirección segura cuando use una lavadora a presión y nunca intente tocar una fuga en una manguera o accesorio de alta presión.

La bomba de lavado a presión está diseñada para funcionar con agua que fluye a través de ella. A medida que el agua enfría los componentes internos de la bomba, también lubrica los sellos.

Operar la bomba de la lavadora a presión, sin importar el breve tiempo, sin que fluya el agua dañará severamente la bomba. Los daños resultantes del funcionamiento de la bomba en seco no están cubiertos por la garantía. Su lavadora a presión fue una inversión en su futuro, trátela bien.

1. Conecte la manguera de alta presión tanto a la salida de la lavadora a presión como a la pistola. Asegúrese que la manguera esté desenrollada y no esté torcida de ninguna manera.
2. Conecte la manguera de jardín a la fuente de agua. Utilice únicamente agua fría para la lavadora a presión. Abra el agua y deje que fluya durante unos treinta segundos para eliminar los residuos y el aire atrapado.
3. Apague la fuente de agua. Asegúrese que la pantalla de entrada de agua esté en su lugar y libre de residuos, luego conecte la manguera de jardín a la entrada de la lavadora a presión.
4. Una vez más, encienda la fuente de agua. Asegúrese que no haya fugas de agua por ninguna de las uniones de la manguera de jardín. Si hay una fuga de agua, apague la fuente, desconecte la manguera y reemplace los sellos de hule conforme sea necesario.
5. Con la varilla apuntando lejos de la lavadora a presión y de cualquier persona, apriete y mantenga presionado el gatillo hasta que se elimine todo el aire atrapado en el sistema. Active el bloqueo del gatillo una vez completado.
6. Una vez más, asegúrese que ninguna de las mangueras o sus conexiones tengan fugas. ¡NUNCA opere la lavadora a presión con mangueras con fugas!



# LISTA DE VERIFICACIÓN DE OPERACIÓN

## Ubicación

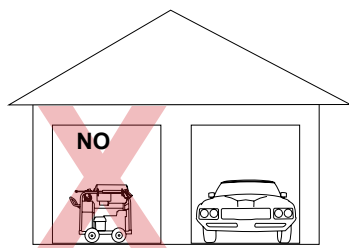
Coloque la lavadora a presión en una superficie nivelada en el exterior en un área bien ventilada antes de ponerla en operación. Mantenga todos los materiales inflamables por lo menos a cinco pies de distancia de todos los lados del producto.

- Nunca use la lavadora a presión dentro de una casa, garaje o cualquier otro tipo de recinto, incluso si las puertas y ventanas están abiertas. Opere el motor en el exterior por lo menos a 20 pies (6 metros) de distancia de ventanas, puertas y ductos de ventilación. Considere cuidadosamente la dirección del viento y las corrientes de aire cuando utilice la lavadora a presión en exteriores para evitar respirar el escape del motor.
- Siguiendo las instrucciones y recomendaciones del fabricante, instale alarmas de monóxido de carbono que funcionen con baterías en cualquier edificio ocupado cerca del motor en funcionamiento.
- Si siente dolor de cabeza, náuseas, mareos, somnolencia o debilidad mientras la lavadora a presión está en operación, salga al aire libre y busque atención médica de inmediato.

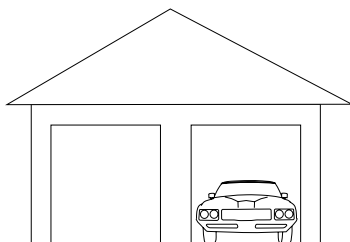
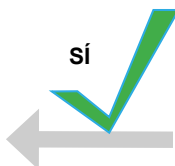


### **ADVERTENCIA: VAPORES TÓXICOS**

El escape del motor contiene monóxido de carbono, un gas venenoso, inodoro e incoloro. Operar un motor en interiores lo matará en minutos. Nunca use este producto dentro de una casa, garaje o cualquier otro tipo de recinto, incluso si las puertas y ventanas están abiertas. Opere el motor en el exterior por lo menos a 20 pies (6 metros) de distancia de ventanas, puertas y ductos de ventilación. Considere cuidadosamente la dirección del viento y las corrientes de aire cuando utilice este producto al aire libre para evitar respirar el escape del motor. Siempre utilice un detector de monóxido de carbono en cualquier edificio ocupado cerca del motor en operación.



**SÍ**



## Operación a gran altitud (Sólo motor de gasolina)

Este motor tendrá el desempeño adecuado del motor y el control de emisiones cuando se opere a una altitud de 5000 pies (1524 metros) o menos. Este motor requiere un juego de carburador de gran altitud para garantizar el desempeño adecuado del motor y el control de emisiones cuando se opera a altitudes superiores a 5000 pies (1524 metros). Operar la máquina con la configuración incorrecta del motor por encima de 5000 pies (1524 metros) puede aumentar sus emisiones, disminuir la eficiencia y el desempeño del combustible. Para obtener un juego de carburador para gran altitud, comuníquese con el centro de servicio autorizado más cercano.



# NOTICE

## ALTITUD

Operar el motor con un juego de chorro de carburador para gran altitud a una altitud inferior a 5000 pies (1524 metros) hará que el motor se caliente demasiado. El sobrecalentamiento del motor puede provocar daños graves en el motor. Para evitar este peligro, asegúrese que esté instalado el juego de carburador correcto y que la mezcla de aire/combustible esté ajustada correctamente para su altitud.

## Condiciones de operación

Antes de cada uso, verifique si hay piezas sueltas o dañadas, fugas y/o cualquier otra condición que pueda afectar la operación correcta. Repare o reemplace todas las partes dañadas y/o defectuosas inmediatamente. Mantenga siempre todas las protecciones de seguridad en su lugar y en buen estado de operación. Por razones de seguridad, el fabricante recomienda que todo el mantenimiento y las reparaciones las realice un centro de servicio autorizado.

Antes de arrancar el motor, elimine el exceso de suciedad y escombros de las rejillas de ventilación, el escape y las áreas de retroceso del motor de arranque. Siempre opere la lavadora a presión en una superficie nivelada y nunca mueva ni incline la lavadora a presión mientras está en operación. Use la lavadora a presión sólo para el propósito para el que fue diseñada. Si tiene preguntas sobre el uso adecuado de su lavadora a presión, comuníquese con el servicio de atención al cliente al 1-877-362-4271 o [cservice@fna-group.com](mailto:cservice@fna-group.com).



# ADVERTENCIA:

## OPERACIÓN SIN CAPACITACIÓN

Los adultos y los niños no capacitados pueden sufrir lesiones graves o morir si se les permite operar incorrectamente o jugar con la lavadora a presión en funcionamiento. Para evitar estos peligros, asegúrese que cualquier persona que opere la lavadora a presión reciba instrucciones adecuadas, entienda la operación segura, y haya leído el manual del propietario antes de operar este producto. No permita que niños operen la lavadora a presión sin supervisión de los padres. Mantenga a los niños y mascotas alejados de la lavadora a presión mientras está en operación. Siempre apague la lavadora a presión antes de abandonar el área.



## **ADVERTENCIA: LESIÓN POR INYECCIÓN**

Las altas presiones creadas por una lavadora a presión pueden causar lesiones por inyección de líquido, laceraciones graves, amputaciones y/o la muerte. Para evitar estos peligros, siempre apunte la pistola rociadora y la lanza en una dirección segura cuando use una lavadora a presión y nunca intente tocar una fuga en una manguera o accesorio de alta presión.



## **ADVERTENCIA: REVISIÓN ANTES DE OPERACIÓN**

No revisar este producto antes de su uso podría crear una situación peligrosa que resulte en daños al producto, lesiones graves y/o la muerte. Para evitar estos peligros, revise la lavadora a presión antes de cada uso. Verifique si hay partes sueltas o dañadas, señales de fugas de aceite o combustible, protecciones faltantes, ventilas de enfriamiento obstruidas, o cualquier otra condición que pueda afectar la operación adecuada. Repare o reemplace todas las partes dañadas o defectuosas y mantenga todas las protecciones de seguridad en su lugar y en buenas condiciones de operación antes de usar la lavadora a presión.



## **PRECAUCIÓN: SUPERFICIES CALIENTES**

Un motor en operación produce calor. Las superficies del motor, otros componentes relacionados y los gases de escape del motor se calientan lo suficiente como para causar quemaduras leves moderadas o encender materiales al entrar en contacto. Para evitar quemaduras, no toque las superficies del motor ni los gases de escape mientras está en funcionamiento y deje que el motor se enfríe completamente antes de moverlo, tocarlo o realizar cualquier mantenimiento. Para evitar un incendio, mantenga todos los materiales inflamables al menos a cinco pies de distancia de todos los lados del producto.



## **ADVERTENCIA: PARTES MÓVILES**

Este producto tiene muchas partes que se mueven a altas velocidades. Las partes móviles pueden causar lesiones por aplastamiento, fracturas, laceraciones severas, y/o amputaciones traumáticas. Para evitar lesiones, nunca coloque los dedos, manos, pies, u otras partes del cuerpo cerca del motor en operación. Nunca opere el productor con las cubiertas, aros de refuerzo u otras protecciones retirados. No use ropa holgada, cordones que cuelguen, o cualquier otro artículo que cuelgue que se pudiera enredar en las partes móviles durante la operación. Ate el cabello largo y quítese las joyas antes de operar.



## **ADVERTENCIA: RETRACCIÓN RÁPIDA**

La retracción rápida (también conocida como contragolpe) del cable de arranque de retroceso del motor tirará de su mano y brazo hacia el motor más rápido de lo que puede soltar el mango, lo que provocará esguinces, fracturas de huesos, laceraciones y/o amputaciones traumáticas. El contragolpe a menudo es causado por fallas internas del motor y/o técnicas de arranque incorrectas. Para evitar el contragolpe, siga el programa de mantenimiento apropiado, las instrucciones de arranque y haga que un centro de servicio autorizado realice el trabajo de reparación.

# ARRANQUE DEL MOTOR



**ADVERTENCIA:**

## LISTA DE VERIFICACIÓN DE OPERACIÓN

Intentar arrancar el motor incorrectamente o usar la lavadora a presión incorrectamente puede resultar en daño al motor y/o lavadora a presión, y puede causar lesiones serias o la muerte. Para evitar estos peligros, asegúrese de leer, comprender y seguir los pasos descritos en la sección LISTA DE VERIFICACIÓN DE OPERACIÓN del manual del propietario antes de arrancar el motor, y siga todas las pautas para el uso adecuado de la lavadora a presión.



**AVISO**

## DAÑO DE LA BOMBA

Operar la lavadora a presión durante más de dos minutos sin apretar el gatillo de la pistola rociadora sobrecalentará la bomba y posiblemente causará daños. La válvula de alivio térmico se abrirá y rociará agua para ayudar a enfriar la bomba a medida que se sobrecalienta. Para evitar el sobrecalentamiento de la bomba, apague la máquina si no la va a utilizar durante más de dos minutos.

**NOTA:** Permita que el motor se caliente durante 1-2 minutos antes de usar el producto.

## Arranque del motor (Motor de gasolina - Arranque eléctrico)

1. Lea completamente y comprenda el Manual del propietario del motor que recibió junto con este manual.
2. Complete los pasos de las secciones LISTA DE VERIFICACIÓN DE OPERACIÓN, CONEXIÓN DE MANGUERAS y PURGA DE AIRE DE LA BOMBA de este manual antes de arrancar el motor.
3. Para un motor FRÍO, coloque el estrangulador en "CHOKE" -o- "CERRADO".
4. Coloque el acelerador en "RÁPIDO" (si está equipado).
5. Gire la válvula de combustible a "ON" -u- "OPEN" (si está equipado).
6. Gire la llave más allá de "ON" a "START" y manténgala presionada durante no más de cinco segundos. Si el motor no arranca en cinco segundos, suelte la llave y espere un minuto antes de volver a intentarlo. **ADVERTENCIA:** ¡Permitir que el motor de arranque gire constantemente dañará el motor de arranque! Si el motor no arranca después de dos intentos, consulte la sección SOLUCIÓN DE PROBLEMAS para obtener ayuda.
7. Una vez que el motor haya arrancado, mueva el estrangulador a "OPEN" -o- "RUN".

## Arranque del motor (Motor de gasolina - arranque de retroceso)

1. Complete los pasos 1 a 5 anteriores.



2. Sujete la manija de retroceso y jale lentamente hasta que sienta resistencia. Jale rápidamente para arrancar el motor. Si el motor no arranca después de dos tirones, apriete el gatillo de la pistola para liberar la presión almacenada.

3. Una vez que el motor haya arrancado, mueva el estrangulador a "OPEN" -o- "RUN".

## Arranque del motor (Diesel)



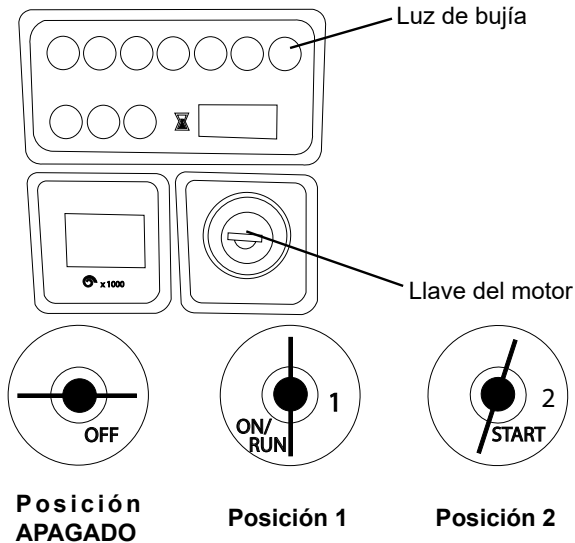
# AVISO

## DAÑO DE LA BOMBA

Operar la lavadora a presión durante más de dos minutos sin apretar el gatillo de la pistola rociadora sobrecalentará la bomba y posiblemente causará daños. La válvula de alivio térmico se abrirá y rociará agua para ayudar a enfriar la bomba a medida que se sobrecalienta. Para evitar el sobrecalentamiento de la bomba, apague la máquina si no la va a utilizar durante más de dos minutos.

1. Lea completamente y comprenda el Manual del propietario del motor que recibió junto con este manual.

2. Complete los pasos de las secciones LISTA DE VERIFICACIÓN DE OPERACIÓN, CONEXIÓN DE MANGUERAS y PURGA DE AIRE DE LA BOMBA de este manual antes de arrancar el motor.



3. Gire la llave del motor a la 1ra posición.

4. Espere a que la luz naranja de la bujía se apague.

5. Gire la llave a la 2da posición para arrancar el motor. Una vez que el motor haya arrancado, permita que la llave regrese a la primera posición.

**ADVERTENCIA:** ¡Permitir que el motor de arranque gire constantemente dañará el motor de arranque! Después de un máximo de 20 segundos de arranque, deje que el motor de arranque se enfríe un minuto antes de volver a intentarlo. Si el motor no arranca después de dos intentos, consulte la sección SOLUCIÓN DE PROBLEMAS para obtener ayuda.

## ARRANQUE DE LAVADORA A PRESIÓN ELÉCTRICA



### AVISO

#### DAÑO DE LA BOMBA

Operar la lavadora a presión durante más de dos minutos sin apretar el gatillo de la pistola rociadora sobrecalentará la bomba y posiblemente causará daños. La válvula de alivio térmico se abrirá y rociará agua para ayudar a enfriar la bomba a medida que se sobrecalienta. Para evitar el sobrecalentamiento de la bomba, apague la máquina si no la va a utilizar durante más de dos minutos.

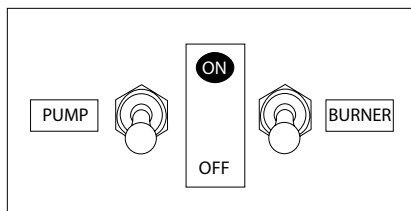


### ! ADVERTENCIA:

#### CONEXIÓN A TIERRA ELÉCTRICA

La conexión incorrecta del conductor de puesta a tierra del equipo puede resultar en riesgo de electrocución. Si tiene dudas sobre la conexión a tierra adecuada, haga que un electricista certificado verifique la instalación del receptáculo. No modifique el enchufe proporcionado con el producto si no encaja en el receptáculo instalado. No utilice ningún tipo de adaptador con este producto.

1. Complete los pasos de las secciones LISTA DE VERIFICACIÓN DE OPERACIÓN, CONEXIÓN DE MANGUERAS y PURGA DE AIRE DE LA BOMBA de este manual antes de encender el motor.
2. Verifique que el interruptor de ENCENDIDO/APAGADO DE LA BOMBA esté en la posición "APAGADO".



3. Conecte el cable de alimentación en un receptáculo de tres clavijas con conexión a tierra. **NO** utilice un cable de extensión. Si el cable de alimentación no es lo suficiente largo, mueva la lavadora a presión más cerca del receptáculo.



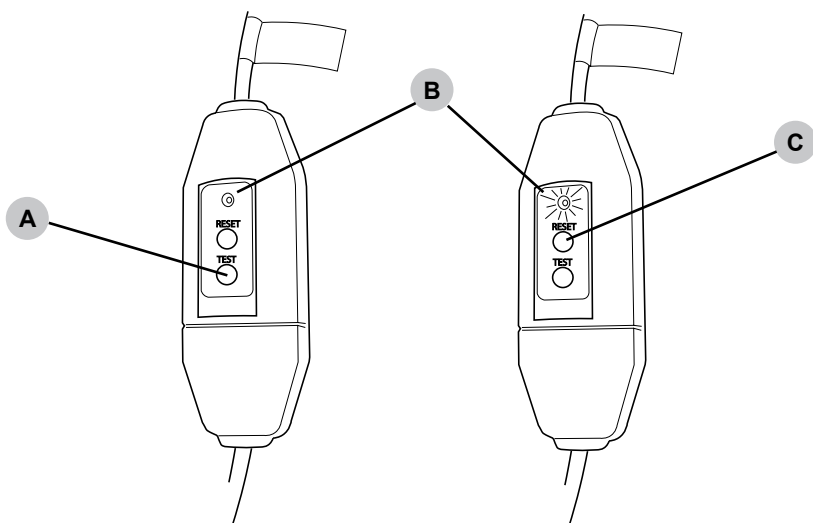
### ! PELIGRO:

#### PELIGRO DE ELECTROCUCIÓN

El uso de un cable de extensión podría causar descargas eléctricas o quemaduras que podrían causar la muerte o lesiones graves. **NO** use una extensión con esta lavadora a presión eléctrica. Es posible que el receptáculo del circuito eléctrico de su hogar o el cable de extensión no brinden protección de interrupción del circuito de falla a tierra para salvar vidas.

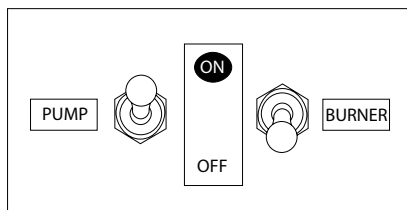
4. Pruebe el interruptor de circuito de falla a tierra (GFCI) (si está equipado).

5. Presione el botón PRUEBA (A). La luz indicadora (B) ahora debe estar oscura (APAGADA).



6. Presione el botón REINICIAR (C). La luz indicadora (B) ahora estará iluminada (ENCENDIDA). **PRECAUCIÓN** - NO use la lavadora a presión si falla la prueba anterior.

7. Ponga el interruptor BOMBA en ON. La lavadora a presión ya está lista para ser utilizada.



# OPERACIÓN CON AGUA CALIENTE



**ADVERTENCIA:**

**RIESGO DE QUEMADURAS**

Las superficies alrededor del escape del quemador y el escape descargado están MUY CALIENTES. Manténgase alejado de esta área. NO permita que las mangueras entren en contacto con el escape del quemador de ninguna manera. NO permita que los niños operen o estén cerca de la lavadora a presión en ningún momento.



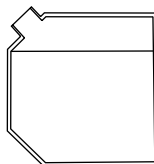
**ADVERTENCIA:**

**RIESGO DE EXPLOSIÓN**

El quemador se apagará cada vez que suelte el gatillo. NO use la lavadora a presión si el quemador no se apaga cuando se suelta el gatillo.

## LLENADO DEL DEPÓSITO DE COMBUSTIBLE DEL QUEMADOR

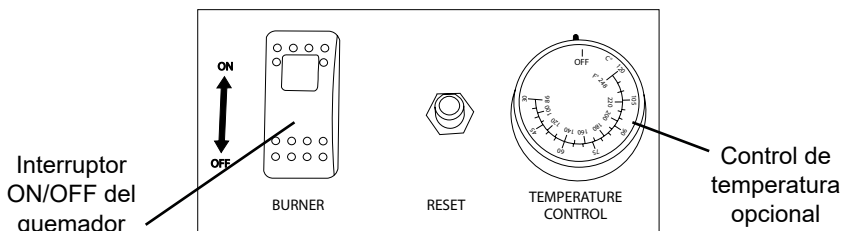
1. Verifique el combustible con el motor apagado y la lavadora a presión en una superficie nivelada.
2. Retire la tapa de combustible para verificar el nivel de combustible. Para conocer la ubicación de la tapa de combustible, consulte la sección UBICACIÓN DE COMPONENTES de este manual.
3. Use combustible diesel #2 nuevo y de alta calidad para el quemador. Llene el tanque hasta un máximo de 1" por debajo del cuello de llenado para dejar espacio para la expansión.
4. Vuelva a colocar la tapa de combustible. Nunca opere el motor o la lavadora a presión sin las tapas de combustible instaladas.



Nivel máximo de combustible

## ARRANQUE DEL QUEMADOR

1. Complete los pasos de las secciones LISTA DE VERIFICACIÓN DE OPERACIÓN, CONEXIÓN DE MANGUERAS y PURGA DE AIRE DE LA BOMBA de este manual antes de encender el motor.
2. Arranque el motor como se describe en la sección ARRANQUE DEL MOTOR de este manual.



3. Coloque el interruptor de ENCENDIDO/APAGADO del quemador en la posición ENCENDIDO.

4. (Si está equipado) Gire el termostato a la temperatura deseada.

---

---

## PARO DEL SISTEMA

---

---



**AVISO**

**DAÑO DE LA BOMBA**

Cerrar el suministro de agua a su bomba con el motor en operación dañará la bomba. Los daños causados por operar la bomba sin agua no están cubiertos por la garantía. Para evitar este peligro, apague siempre el motor antes de cerrar el suministro de agua.



**AVISO**

**LIMPIADORES QUÍMICOS**

El uso de limpiadores químicos y/o líquidos corrosivos puede dañar los sellos de la lavadora a presión y componentes internos. Daños causados por limpiadores químicos y líquidos corrosivos no están cubiertos por la garantía. Para evitar estos peligros, utilice únicamente productos de limpieza aprobados, nunca use blanqueador y siempre deje correr agua limpia a través de la lavadora a presión después de usar productos químicos de limpieza.

1. Coloque el interruptor de control del quemador en APAGADO.
2. Apriete el gatillo y permita que el agua fluya hasta que la varilla rociadora se enfríe al tacto, un mínimo de dos minutos.
3. Si usó jabón o detergente, coloque la manguera del sifón en un balde con agua limpia. Con la boquilla negra unida a la varilla, apriete el gatillo y deje que fluya el agua hasta que desaparezcan todos los signos de jabón.
4. Ajuste el bloqueo del gatillo.
5. Si su unidad funciona con energía eléctrica, coloque el interruptor de ENCENDIDO/APAGADO de la bomba en APAGADO.
6. Para un motor de gasolina o diesel, mueva el acelerador a lento (si está equipado). Gire la llave o el interruptor del motor a la posición APAGADO.
7. Gire la válvula de combustible a OFF o CERRADO (si está equipado).
8. Apague la fuente de agua.
9. Apriete el gatillo para liberar cualquier presión almacenada de la manguera.
10. Desconecte la manguera de jardín tanto del grifo de la manguera de fuente de agua como de la entrada de la bomba.
11. Desconecte la manguera de alta presión de la salida de la lavadora a presión. Drene la manguera y luego enróllela con cuidado.
12. Consulte la sección ALMACENAMIENTO para obtener instrucciones adecuadas de almacenamiento a corto o largo plazo.

# CONSEJOS DE OPERACIÓN

## PREPARACIÓN

- Lea todas las advertencias e instrucciones en éste y todos los demás manuales que puedan haber venido con la lavadora a presión.
- Retire todos los juguetes, bicicletas, muebles de jardín, etc. del área de trabajo.
- Barra la suciedad suelta y los escombros de la superficie que lavará a presión.
- Cubra las plantas cercanas para protegerlas del exceso de rociado y detergente.
- Solo use la boquilla blanca de 40° cuando lave ventanas o artículos pintados como automóviles. Siempre comience lejos y acérquese con cuidado.
- Si está usando la lavadora a presión para preparar el revestimiento para pintar y la pintura existente puede ser anterior a 1977, coloque lonas para recolectar los pedazos de pintura. Pueden contener plomo y deben desecharse en una instalación de eliminación adecuada.
- Utilice únicamente detergentes o jabones aprobados para uso en lavadoras a presión.

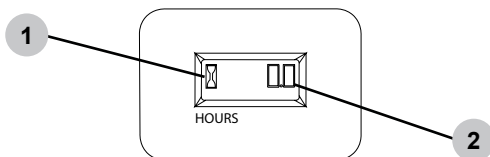
## LAVADO A PRESIÓN

- Un rociado más ancho equivale a una limpieza más rápida, mientras que un rociado más apretado equivale a una limpieza más profunda.
- No apunte la boquilla directamente a una superficie. Sostenga la varita en un ángulo de 45° con respecto a la superficie a una distancia que limpie bien sin causar daños.
- Mantenga la boquilla a unos cuatro pies de distancia del revestimiento para evitar daños a la superficie.
- Comience a lavar en la parte inferior, muévase hacia arriba y luego enjuague de arriba hacia abajo.
- Evite conducir el agua detrás del revestimiento, las molduras y los marcos de las ventanas.
- Cuando use jabón, trabaje en áreas más pequeñas y no deje que el jabón se seque.

## CONTADOR DE HORAS (Si está equipado)

El contador de horas realiza un seguimiento del tiempo que la lavadora a presión está funcionando. El icono del reloj de arena parpadea cuando el motor está funcionando para indicar que el medidor está rastreando las horas de operación. La pantalla de hora digital muestra las horas de operación registradas. Utilice esta información para los intervalos de mantenimiento preventivo.

Para conocer la ubicación del contador de horas, consulte la sección UBICACIÓN DE COMPONENTES de este manual.



1. Icono de reloj de arena
2. Pantalla digital de tiempo

# MANTENIMIENTO

---

---

Su lavadora a presión ha sido fabricada con materiales y mano de obra de la más alta calidad. Como propietario, tiene ciertas responsabilidades para el correcto cuidado del equipo. La atención a los procedimientos regulares de mantenimiento preventivo ayudará a preservar el rendimiento del equipo.

Póngase en contacto con su centro de servicio autorizado local para el mantenimiento. Una pequeña inversión en mantenimiento preventivo agregará muchas horas a la vida útil de la lavadora a presión. Realice el mantenimiento con mayor frecuencia en condiciones de operación severas. No rocíe agua a alta presión sobre la máquina en ningún momento.

Por razones de seguridad, el fabricante recomienda que todos los servicios y reparaciones de la lavadora a presión sean realizados por un centro de servicio autorizado. Todas las reparaciones y reemplazos cubiertos por la garantía deben ser realizados por un distribuidor o centro de servicio autorizado.

Para encontrar un centro de servicio autorizado cerca de usted, hacer un reclamo de garantía u obtener reparaciones de garantía autorizadas, llame al 1-877-362-4271 o envíenos un correo electrónico a [cservice@fna-group.com](mailto:cservice@fna-group.com)

Es responsabilidad del propietario y/o del operador completar todo el mantenimiento programado antes de operar la lavadora a presión. Asegúrese de seguir las recomendaciones de inspección y mantenimiento que se enumeran en todos los manuales que acompañan a esta unidad.

## LIMPIEZA DE LA LAVADORA A PRESIÓN

Siempre limpie la lavadora a presión con el motor apagado y frío. Para limpiar la lavadora a presión, primero use aire comprimido a 20 PSI o menos para eliminar la suciedad y los desechos de la superficie de la lavadora a presión, las rejillas de ventilación y las ranuras de enfriamiento. A continuación, limpie la superficie exterior con un paño húmedo.

## INSPECCIÓN PREVIA AL TRABAJO

Antes de cada uso, revise la lavadora a presión respecto a fugas, piezas sueltas o dañadas y cualquier otra condición que pueda afectar la operación correcta y segura. Asegúrese que todas las protecciones de seguridad estén en su lugar y en buenas condiciones de operación. Revise todas las ranuras de enfriamiento para asegurarse que estén limpias y sin obstrucciones.

Repare y reemplace todas las partes dañadas o defectuosas inmediatamente. Por razones de seguridad, el fabricante recomienda que todos los servicios y reparaciones de la lavadora a presión sean realizados por un centro de servicio autorizado.

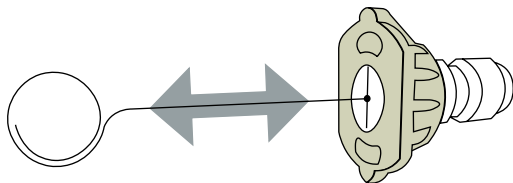
## CONEXIONES

Las conexiones de la manguera la pistola rociadora y la bomba deben limpiarse y lubricarse con una capa delgada de grasa de litio con regularidad para evitar daños y fugas en los anillos O.

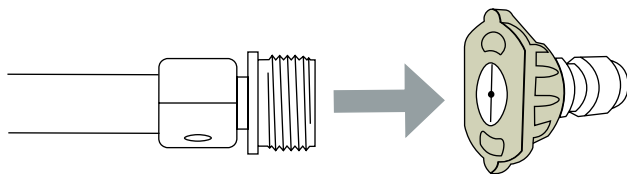
## Limpeza de boquillas

Si una boquilla se obstruye, la bomba puede vibrar y los patrones de rociado pueden cambiar. Si no se limpia la boquilla, se puede desarrollar una presión excesiva que posiblemente dañe la bomba u otros accesorios. Revise las boquillas antes de usarlas y siga las instrucciones de esta sección para el procedimiento de limpieza de las boquillas adecuado.

1. Apague la lavadora a presión.
2. Cierre el suministro de agua.
3. Apunte la pistola rociadora en una dirección segura y apriete el gatillo para aliviar la presión del agua.
4. Ajuste el bloqueo del gatillo.
5. Retire la boquilla del conector rápido de la lanza.
6. Elimine cualquier obstrucción de la boquilla insertando la herramienta de limpieza de boquillas incluida.



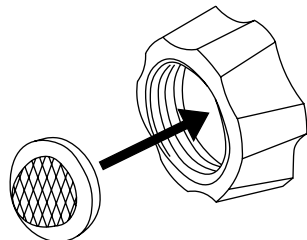
7. Enjuague cualquier residuo suelto de la boquilla dirigiendo una manguera de jardín en funcionamiento hacia la salida de la boquilla durante por lo menos 30 segundos.



## Filtro de entrada de agua

Antes de cada uso, verifique el filtro de entrada y límpielo siguiendo los pasos a continuación. Nunca opere la lavadora a presión sin el filtro de entrada correctamente instalado.

1. Retire el filtro del acoplador de la manguera de jardín.
2. Use agua de una manguera de jardín corriente para limpiar ambos lados del filtro.
3. Inserte el filtro limpio en la entrada de la bomba con el lado convexo hacia afuera.





## MANTENIMIENTO DEL MOTOR

Antes de cada uso, revise el motor en busca de piezas sueltas o dañadas, signos de fugas de aceite o combustible y/o cualquier condición que pueda afectar la operación correcta y segura. Mantenga siempre todas las protecciones en su lugar y en buen estado de operación. Repare o reemplace las partes defectuosas inmediatamente.

Por razones de seguridad, el fabricante recomienda que todos los servicios y reparaciones del motor (incluyendo los dispositivos y sistemas de control de emisiones) sean realizados por un centro de servicio autorizado. Todo el trabajo y reemplazos cubiertos por la garantía deben ser realizados por un centro de servicio autorizado.

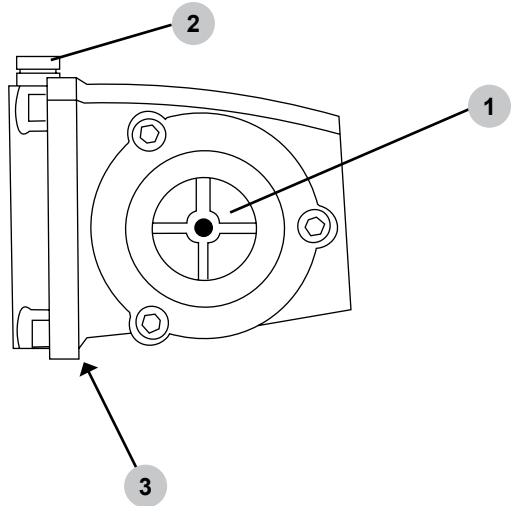
Para cualquier otra información sobre el mantenimiento del motor, consulte el manual del motor.

## MANTENIMIENTO DE LA BOMBA

La bomba se llenó de aceite en la fábrica. Consulte la TABLA DE PROGRAMA DE MANTENIMIENTO para conocer los intervalos de servicio adecuados y el tipo de aceite.

**Nota:** Su bomba puede variar de la ilustrada.

1. Mirilla de aceite
2. Tapón de llenado de aceite
3. Tapón de drenaje de aceite (no se muestra)



## Cómo cambiar el aceite de la bomba

1. Afloje el tapón de llenado de aceite de la bomba.
2. Coloque un recipiente debajo del tapón de drenaje de aceite.
3. Retire el tapón de drenaje de aceite.
4. Después de que se haya drenado el aceite, inserte el tapón de drenaje de aceite; apriete firmemente.
5. Consulte la TABLA DE PROGRAMA DE MANTENIMIENTO respecto al tipo de aceite adecuado para su bomba.
6. Asegúrese que el nivel de aceite alcance, pero no exceda, el punto en el centro de la mirilla.
7. Inserte el tapón de llenado de aceite; apriete firmemente.

## TABLA DE PROGRAMA DE MANTENIMIENTO

**AVISO:** No todos los elementos de mantenimiento enumerados a continuación se aplican a todos los modelos.

Aceite de motor	Revisar	Diario
	Cambiar	Después de las primeras 10 horas, después cada 50 horas, especialmente a temperatura ambiente alta
	Filtro	Cada 100 horas
Depurador de aire	Revisar	Cada 25 horas
	Limpiar	Cada tres meses
Refrigerante de motor diesel	Verificar diariamente	(Máximo 50% anticongelante)
Nivel de batería	Consultar mensualmente	Reemplazar cada 2 años
Filtro de combustible del motor	500 horas o 6 meses	
Mantenimiento de bujías	500 horas o 6 meses	
Limpiar tanque(s) de combustible	Anualmente	
Reemplazar líneas de combustible	Anualmente	
Aceite de bomba	Revisar	Diario
	Cambiar	Primeras 25 horas, después cada 3 meses o 150 horas
Reemplazar filtro de combustible del quemador	Cada 6 meses	(Más a menudo si la calidad del combustible es mala)
Retirar hollín del quemador	Anualmente	
Ajuste / Limpieza del quemador	Anualmente	
Eliminar escamas de serpentín de calentamiento	Anualmente	(Más a menudo si se requiere)
Reemplace la boquilla de rociado	Cada 6 meses	
Reemplazar conectores rápidos	Anualmente	(Más a menudo si se requiere)
Limpiar filtro de entrada de agua	Semanalmente	
Reemplazar manguera de alta presión	Anualmente	(Más a menudo si se requiere)
Llantas / cojinetes de rueda	Mensualmente	
Bandas	Apretar	Cada 6 meses
	Revisar / Reemplazar	Anualmente
Descripción	Tipo de aceite	Capacidad <sup>(5)</sup>
Motor de gasolina	Aceite de motor SAE 10W 30 <sup>(4)</sup>	.63 a 3qt
Motor diesel	SAE 15W 40 o ISO 100 <sup>(4)</sup>	1.7 - 3.3qt
Bomba, AAA	SAE 15W 40	11 - 42oz
Bomba, CAT <sup>(1)</sup>	Aceite hidráulico ISO 68	11 - 42oz
Bomba, COMET <sup>(2)</sup>	SAE 15W 40 o ISO 100	11 - 42oz
Bomba, General <sup>(3)</sup>	SAE 15W 40 o ISO 100	11 - 42oz
<p>(1) CAT Pumps® es una marca comercial registrada de Diversified Dynamics Corporation.                      (2) COMET Pumps® es una marca comercial registrada                      (3) General Pumps® es una marca comercial registrada de Interpump Group S.p.A.                      (4) Consulte el manual del motor respecto al peso adecuado de acuerdo con la condición de operación.                      (5) Consulte el manual respecto a la cantidad adecuada.</p>		

# ALMACENAMIENTO Y TRANSPORTE

---

---

## ALMACENAMIENTO DURANTE DOS MESES O MENOS (GASOLINA)

1. Llene el tanque de combustible conforme a la sección PREPARACIÓN DEL MOTOR de este manual y después agregue un estabilizador de combustible conforme a las recomendaciones del fabricante. NOTA: El uso de un estabilizador de combustible de gasolina (se vende por separado) al almacenar gasolina puede ayudar a prevenir problemas relacionados con los combustibles mezclados con alcohol en los motores de equipos eléctricos para exteriores. Siempre siga las instrucciones proporcionadas por el fabricante de combustible para mezclar y usar correctamente.
2. Complete los pasos de las secciones LISTA DE VERIFICACIÓN DE OPERACIÓN CONEXIÓN DE MANGUERAS y CEBADO DE LA BOMBA de este manual.
3. Con el agua corriendo, arranque el motor conforme a la sección ARRANQUE de este manual y déjelo funcionar durante diez minutos. Esto permitirá que el combustible estabilizado circule por todo el sistema de combustible. Asegúrese de apretar el gatillo para que el agua fluya a través de la bomba y la pistola rociadora para evitar el sobrecalentamiento.
4. Gire la llave o el interruptor del motor a la posición APAGADO.
5. Apriete el gatillo de la pistola rociadora para aliviar la presión almacenada. Drene la varilla rociadora y la manguera de alta presión. Enrolle con cuidado la manguera de alta presión.
6. Deje que el motor se enfríe completamente.
7. Proteja la bomba utilizando Pump Guard SIMPSON conforme a la sección USO DE PUMP GUARD de este manual.
8. Guarde la lavadora a presión en un área limpia y seca, alejada de la luz solar directa.

## ALMACENAMIENTO DURANTE DOS MESES O MENOS (DIESEL)

Siga los pasos 1 - 8 anteriores usando un estabilizador de combustible diesel.

## ALMACENAMIENTO DURANTE DOS MESES O MENOS (ELÉCTRICO)

1. Apriete el gatillo de la pistola rociadora para aliviar la presión almacenada. Drene la varilla rociadora y la manguera de alta presión. Enrolle con cuidado la manguera de alta presión.
2. Proteja la bomba utilizando Pump Guard SIMPSON conforme a la sección USO DE PUMP GUARD SIMPSON de este manual.
3. Guarde la lavadora a presión en un área limpia y seca, alejada de la luz solar directa.

## **ALMACENAMIENTO DURANTE DOS MESES O MÁS (GASOLINA)**

1. Deje que el motor se enfríe y apriete el gatillo de la pistola rociadora para aliviar la presión almacenada.
2. Retire todo el combustible del tanque de combustible, las líneas de combustible y el carburador aflojando el tornillo de drenaje en la parte inferior del carburador. Drene el combustible en un recipiente apropiado.
3. Cambie el aceite del motor conforme al Manual del propietario del motor
4. Elimine cualquier suciedad y desechos del área alrededor de la(s) bujía(s). Con un dado y una llave para bujías, extraiga la(s) bujía(s).
5. Vierta 0.5 onzas (15 ml) de aceite nuevo en la(s) cámara(s) de combustión del motor. Gire la llave de arranque a la posición ARRANQUE durante dos segundos, o tire lentamente de la cuerda de retroceso dos veces para lubricar y proteger los cilindros.
6. Vuelva a instalar la(s) bujía(s) a mano y luego apriete con una llave de tubo al par correcto conforme al Manual del propietario del motor.
7. Desconecte el cable negro negativo (-) de la batería.
8. Desconecte el cable rojo positivo (+) de la batería.
9. Si la lavadora a presión se mantendrá en un lugar frío, mueva la batería a un lugar cálido para el almacenamiento a largo plazo, o use un conservador de batería electrónico para mantener la batería caliente y cargada durante el almacenamiento en frío.
10. Drene la varilla rociadora y la manguera de alta presión. Enrolle con cuidado la manguera de alta presión.
11. Proteja la bomba utilizando Pump Guard SIMPSON conforme la sección USO DE PUMP GUARD SIMPSON de este manual.
12. Guarde la lavadora a presión en un área limpia y seca, alejada de la luz solar directa.

## **ALMACENAMIENTO DURANTE DOS MESES O MÁS (DIESEL)**

1. Siga los pasos 1 - 7 de ALMACENAMIENTO DURANTE DOS MESES O MENOS (GASOLINA) usando un estabilizador de tratamiento de invierno diesel. Esto evitará que el diesel se gelifique en temperaturas bajo cero.
2. Desconecte el cable negro negativo (-) de la batería.
3. Desconecte el cable rojo positivo (+) de la batería.
4. Si la lavadora a presión se mantendrá en un lugar frío, mueva la batería a un lugar cálido para el almacenamiento a largo plazo, o use un conservador de batería electrónico para mantener la batería caliente y cargada durante el almacenamiento en frío.
5. Guarde la lavadora a presión en un área limpia y seca, alejada de la luz solar directa.

## ALMACENAMIENTO DURANTE DOS MESES O MÁS (ELÉCTRICO)

Siga los mismo pasos de ALMACENAMIENTO DURANTE DOS MESES O MENOS (ELÉCTRICO)

## TRANSPORTE



**ADVERTENCIA:**

**TRANSPORTE**

Dejar la lavadora a presión en un espacio cerrado donde la temperatura pueda aumentar en un vehículo de transporte puede hacer que el combustible se vaporice y posiblemente explote. Los incendios y explosiones pueden causar quemaduras graves y/o la muerte. Para evitar fugas o vaporización de combustible, asegure la lavadora a presión en un área bien ventilada fuera de la luz solar directa y otras fuentes de calor y no transporte la lavadora a presión en carreteras en mal estado a menos que el combustible se haya drenado previamente.

1. Gire el interruptor de control del motor a la posición APAGADO.
2. Para evitar derrames de combustible durante el transporte, asegúrese que las tapas de combustible estén ajustadas y que la lavadora a presión se mantenga en posición vertical sobre una superficie nivelada.
3. Asegure la lavadora a presión con correas o amarres clasificados para el doble del peso de la lavadora a presión para evitar que se vuelque o se deslice.

**PRECAUCIÓN:** No opere la lavadora a presión mientras esté en el vehículo de transporte.

# USO DE PUMP GUARD SIMPSON®



## AVISO

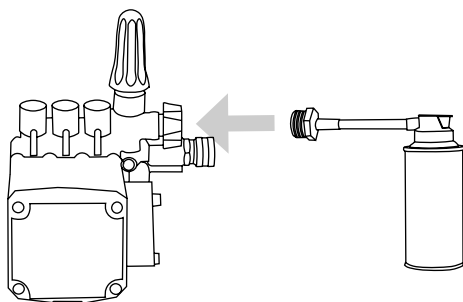
## DAÑO DE LA BOMBA

Dejar agua dentro de la bomba durante un clima helado causará daños severos a la bomba. Para evitar daños costosos, siempre trate la bomba con Pump Guard SIMPSON® para eliminar el agua atrapada y llenar la bomba con una solución lubricante y anticongelante.

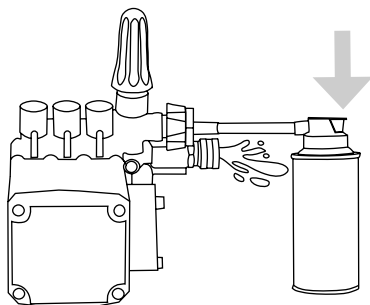
SIMPSON® Pump Guard (se compra por separado) está formulado para proteger su bomba de daños por congelamiento mientras lubrica los sellos internos. Pump Guard debe usarse durante toda la temporada para mantener los sellos flexibles y bien lubricados. Antes de almacenar la unidad para el invierno o para cuando haya posibilidad de heladas, use Pump Guard para eliminar todo rastro de agua de las cavidades internas mientras las llena con una solución anticongelante.

Simplemente use Pump Guard siguiendo estos sencillos pasos:

1. Atornille el adaptador Pump Guard en la entrada de la manguera de jardín de la bomba.



2. Mantenga presionado el botón hasta que toda el agua y Pump Guard comiencen a salir del puerto de alta presión.



3. Desenrosque el Pump Guard y luego prepare la lavadora a presión para almacenarla como se describe en ALMACENAMIENTO Y TRANSPORTE.

# SOLUCIÓN DE PROBLEMAS

**NOTA:** Las causas probables se enumeran con la causa más probable primero. Las reparaciones deben ser realizadas únicamente por técnicos de servicio calificados.

## SISTEMA DE POTENCIA: IMPULSADA POR GASOLINA O DIESEL

Problema	Causa probable	Remedio
<b>El motor no arranca ni gira.</b> (Consulte el <b>Manual del propietario del motor</b> para obtener más información sobre la solución de problemas del motor)	Batería descargada (si está equipado)	Cargue o reemplace la batería, agregue electrolito si la batería es nueva
	Contactos de batería sucios	Limpie los contactos
	Cables de batería desconectados	Conecte o reemplace los cables dañados
	El motor, la bomba o la caja de cambios están atascados	Identifique, reemplace o repare la pieza atascada
	Interruptor de llave, solenoide o motor de arranque en el motor defectuoso	Repare o reemplace el componente defectuoso
	La bomba está atascada	Reemplace la bomba o el cojinete
<b>El motor se atasca bajo carga, cada vez que se dispara la pistola rociadora</b> (Consulte el <b>Manual del propietario del motor</b> para obtener más información sobre la solución de problemas del motor)	El motor se necesita reparar	Busque servicio certificado
	Operación en gran altitud	Baje la presión en la unidad y verifique que la velocidad del motor sea la correcta (RPM)
	Boquilla incorrecta en la lanza	Reemplace con el tamaño de boquilla correcto
	Válvula de descarga mal ajustada	Ajuste la válvula de descarga
<b>El motor no arranca pero da marcha.</b> (Consulte el <b>Manual del propietario del motor</b> para obtener más información sobre la solución de problemas del motor)	El interruptor de alimentación del motor está apagado o defectuoso	Verifique el interruptor de energía del motor
	El apagado por bajo nivel de aceite está activado (si está equipado)	Agregue aceite al motor, verifique con más frecuencia
	Bajo en combustible	Llene con el combustible apropiado, purgue la bomba del inyector en motores diesel

Problema	Causa probable	Remedio
<b>El motor no arranca pero da marcha cont.</b> (Consulte el <b>Manual del propietario del motor</b> para obtener más información sobre la solución de problemas del motor)	El filtro de combustible está obstruido	Reemplace o limpie el filtro de combustible, purgue la bomba del inyector en los motores diesel
	Motor inundado o agotado	Motores de gasolina solamente - Estrangule sólo cuando sea necesario
	Combustible viejo o sucio	Drene y reemplace con combustible nuevo y limpio

### SISTEMA DE POTENCIA: ACCIONAMIENTO ELÉCTRICO

Problema	Causa probable	Remedio
<b>El motor eléctrico no arranca</b>	No hay energía eléctrica	Revise el cable, el enchufe, el enchufe, el GFCI y el interruptor de circuito
	Se ha disparado una sobrecarga térmica en el motor o el motor de arranque	Restablezca la sobrecarga manual presionando el interruptor térmico en el exterior del motor después de que el motor se haya enfriado. <b>PRECAUCIÓN:</b> La sobrecarga automática reiniciará el motor automáticamente una vez que el motor se haya enfriado.
	El interruptor de encendido no funciona	Verifique el interruptor de energía
	Falla del motor eléctrico o cableado	Reemplace o repare el motor y/o el cableado
	Sin presión de agua en la entrada	Conecte al suministro de agua apropiado

### SISTEMA DE BOMBEO

Problema	Causa probable	Remedio
<b>Fuga de aceite de la bomba</b>	Tapón de drenaje flojo o sello dañado	Ubique el punto de fuga de aceite y reemplace el anillo O o el sello dañados
	Sello de aceite del cigüeñal con fugas	Reemplace los sellos
	Sello de mirilla de aceite con fugas	Reemplace los sellos
	Sello de aceite del pistón con fugas	Reemplace los sellos. Instale el aceite de bomba correcto



<b>Problema</b>	<b>Causa probable</b>	<b>Remedio</b>
<b>La bomba funciona pero tiene baja presión de rociado</b>	Boquilla no instalada	Instale una boquilla del tamaño adecuado
	La válvula de varilla doble está abierta	La válvula de varilla doble debe estar cerrada y la boquilla de alta presión instalada
	Manguera de descarga con fugas o conector de conexión rápida	Reemplace la manguera o el conector
	Filtro de entrada obstruido	Limpie y revise con más frecuencia
	Boquilla desgastada o de tamaño incorrecto	Reemplace con una boquilla del tamaño adecuado
	Deslizamiento de la correa	Apriete o reemplace la correa desgastada
	Válvula de descarga desgastada o mal ajustada	Instale un manómetro en el cabezal de la bomba para ajustar la presión. Compruebe el asiento de la válvula en la válvula de descarga
Fuga de aire en la tubería de entrada	Vuelva a sellar los accesorios y revise las mangueras de entrada en busca de fugas de aire	
<b>El gatillo de pistola tiene fugas o no se cierra</b>	Residuos en el ensamble de válvula de pistola	Limpie el ensamble de la válvula o reemplace la pistola
<b>La máquina no arranca automáticamente (si está equipada)</b>	Debe tener un suministro de agua adecuado	Compruebe la presión y los galones correctos
	Acumulación de incrustaciones en el serpentín	Elimine las incrustaciones del serpentín para un mejor flujo de agua
	Revise la pantalla del filtro y la presión de entrada	Jale el gatillo de la pistola para comprobar la función de arranque automático
	El interruptor de presión en la válvula de descarga está defectuoso	Reemplace
	El temporizador está defectuoso	Retire los cables del temporizador en el extremo del control, vea si la máquina se apaga después del tiempo de espera, reemplácelo si está defectuoso

<b>Problema</b>	<b>Causa probable</b>	<b>Remedio</b>
<b>La bomba funciona pero no hay presión de rociado</b>	Cierre el agua	Abra el agua
	La boquilla está tapada	Limpie o reemplace con una boquilla del tamaño adecuado
	La válvula de inyección de productos químicos está abierta/ la manguera no está en la solución	Cierre la válvula de jabón o sumerja el tubo sifón de detergente en la solución
	Serpentín de agua caliente obstruida	Retire la obstrucción o elimine las incrustaciones del serpentín
	Bomba seca, necesita cebarse	Abra el accesorio de la bomba de alta presión hasta que fluya el agua
<b>La bomba funciona pero hay una presión errática y fluctuante</b>	Suministro de agua entrante inadecuado	Aumente el flujo de suministro de agua
	Válvulas de entrada o descarga atascadas	Limpie o reemplace las válvulas desgastadas
	Entrada restringida o entrada de aire en la tubería de entrada de la bomba	Revise los accesorios y la manguera para ver si tienen un sello hermético, limpie la pantalla del filtro de entrada
	Sellos de alta presión con fugas	Reemplace los sellos
	Sellos de baja presión con fugas	Alimente a presión la bomba y reemplace los sellos de baja presión si hay fugas de agua de la bomba
<b>Juego excesivo del cigüeñal o ruido fuerte de golpes en la bomba</b>	Rodamiento roto o desgastado o biela en el cárter	Reemplace la bomba o el cojinete o la biela
<b>El agua sale desde el tubo de sifón químico</b>	Falla de válvula de retención	Repáre o reemplace la válvula de retención
<b>La inyección de entrada no succiona el detergente</b>	Colador obstruido	Limpie o reemplace. Enjuague después de cada uso.
	Válvula de detergente no abierta u obstruida	Abra la válvula y después limpie. Reemplace si es necesario
	Filtro no sumergido en solución	Sumerja el colador, reponga el producto químico si es necesario
	Manguera de detergente cortada o torcida	Revise la manguera, reemplace si es necesario

Problema	Causa probable	Remedio
<b>El inyector corriente abajo no succiona el detergente</b>	La perilla ajustable del inyector está cerrada (si está equipada)	Abra girando en sentido contrario a las manecillas del reloj
	La unidad no está en modo de baja presión	Abra la varilla doble (si está equipada) o instale la boquilla de jabón
	Manguera de detergente cortada o torcida	Revise la manguera, reemplácela conforme sea necesario
	Colador de detergente tapado o no sumergido	Revise la pantalla en el tubo de recolección del colador
	Piezas internas del inyector corroídas o atascadas	Desensamble, limpie o reemplace
	La temperatura del agua de salida es demasiado alta	Usar sólo con agua fría (150° máximo)
<b>Válvula de alivio de presión libera agua</b>	Falla de válvula de descarga / sobrecalentamiento del serpentín / presión excesiva del sistema	Apague la máquina durante diez minutos y luego reiníciela. Si el problema persiste, lleve la unidad a un centro de servicio autorizado para que la diagnostiquen.

#### SISTEMA DE QUEMADOR DE CALENTAMIENTO: CALENTADO POR DIESEL

Problema	Causa probable	Remedio
<b>El quemador no enciende</b> <i>Advertencia: El alto voltaje en el encendedor puede causar una descarga eléctrica. Desconecte la alimentación antes de realizar el mantenimiento.</i>	El interruptor del quemador no está en ON	Gire el interruptor a ENCENDIDO; termostato ENCENDIDO (si está equipado)
	Nivel de combustible diesel bajo	Llene el tanque del quemador con diesel #2 u otro combustible aprobado
	El gatillo de la pistola rociadora no está apretado	Apriete el gatillo para encender el quemador
	Filtro de combustible tapado	Limpie y/o apriete el filtro de combustible (Compruebe la presión de combustible)
	Boquilla de rociado obstruida	Limpie la boquilla de rociado
	Sobrecarga en el motor del quemador disparado	Restablezca la sobrecarga, localice y corrija la fuente de sobrecarga
	No hay boquilla en la varilla	Instale la boquilla en la varilla

Problema	Causa probable	Remedio
<b>El quemador no enciende cont.</b> <b>Advertencia:</b> <i>El alto voltaje en el encendedor puede causar una descarga eléctrica. Desconecte la alimentación antes de realizar el mantenimiento.</i>	Presión baja de la bomba de agua	Ver solución de problemas del sistema de bombeo
	Relevador del quemador defectuoso (sólo quemador de 12 voltios)	Reemplace el relevador del quemador
	Bomba de combustible o boquilla detenida	Revise la presión de combustible, el filtro, las líneas de combustible. Reemplace la bomba de combustible y/o la boquilla
	Interruptor de vacío, flujo, presión o temperatura defectuoso	Verifique la continuidad eléctrica con la bomba de rociado y el quemador encendido
	Válvula solenoide de combustible defectuosa	Reemplace la válvula de combustible si no se abre cuando se aplica energía
	Salida de bajo voltaje del generador	Ajuste las RPM del generador para obtener el voltaje adecuado en condiciones de carga completa
<b>El quemador no se enciende, además se emiten gases diesel desde el puerto de escape</b> <b>Advertencia:</b> <i>Reemplace el aislamiento. El combustible sin quemar puede saturarlo y provocar un incendio.</i>	Relación de combustible a aire fuera de ajuste	Ajuste la banda de aire y la presión de combustible de acuerdo con las especificaciones
	Boquilla de combustible parcialmente obstruida	Reemplace la boquilla con una del tamaño adecuado
	El transformador de ignición no proporciona chispa al combustible	Reemplace el transformador de ignición, limpie y ajuste los electrodos
<b>El quemador se enciende y causa humo</b>	Relación de combustible a aire fuera de ajuste	Ajuste la banda de aire y la presión de combustible de acuerdo con las especificaciones
	Hollín excesivo en los serpentines	Limpie el hollín para mejorar el flujo de aire
	Voltaje incorrecto en el quemador	Ajuste las RPM del generador (si está equipado)
<b>El quemador sigue disparando incluso cuando se suelta el gatillo de la pistola rociadora</b>	Interruptor de flujo, presión o vacío defectuoso	Reemplace los interruptores defectuosos
	Solenoide de combustible defectuoso	Reemplace el solenoide

<b>Problema</b>	<b>Causa probable</b>	<b>Remedio</b>
<b>La batería sigue perdiendo voltaje (para sistemas de quemadores de 12 voltios)</b>	Voltaje de batería bajo	Haga revisar y probar la carga de la batería, cárguela si está baja y reemplácela si es necesario. Deje que el agua se enfríe durante 2 minutos antes de apagar el motor
	RPM demasiado bajas	Las RPM del motor deben ser 3600 RPM sin carga
	El sistema de carga del motor está defectuoso	Revise el sistema de carga del motor: debe tener una salida mínima de 16 amperios
	Electrodos desajustados	Ajuste los electrodos a un espacio máximo de 1/8"
	Presión de la bomba de combustible demasiado alta	La presión de la bomba de combustible debe ser de aproximadamente 100 a 140 PSI
	Banda de aire demasiado abierta	Ajuste para quemar correctamente
	El consumo de amperios del quemador es demasiado alto	Compruebe el consumo de amperios del motor del quemador: debe ser de 13 amperios o menos. Verifique el consumo de amperios del transformador, debe ser de 4.2 amperios o menos
<b>La temperatura del agua de descarga supera la temperatura de operación recomendada</b>	Entrada del quemador demasiado alta para las condiciones	Disminuya la presión de la bomba de combustible y/o el tamaño de la boquilla
	Flujo de agua restringido	Limpie o reemplace la boquilla por una del tamaño adecuado. Descalcifique el serpentín y elimine las obstrucciones
	Interruptor de límite de alta temperatura defectuoso o configurado demasiado alto	Reinicie o reemplace el interruptor de límite de temperatura
<b>La temperatura del agua de descarga no alcanza la temperatura máxima de operación</b>	Entrada del quemador demasiado baja para las condiciones	Aumente la presión de la bomba de combustible y/o el tamaño de la boquilla

**SISTEMA DE QUEMADOR DE CALENTAMIENTO:  
GAS NATURAL O PROPANO LÍQUIDO**

<b>Problema</b>	<b>Causa probable</b>	<b>Remedio</b>
<b>El piloto no enciende, el quemador no enciende</b>	El interruptor del quemador no está en ON	Gire el interruptor a ON
	Gatillo no apretado	Apriete el gatillo. El quemador sólo debe encenderse cuando se aprieta el gatillo.
	Válvula de gas cerrada	ABRA la válvula de gas
	No hay voltaje a la válvula	Verifique si hay 24vCA entre la válvula piloto (PV) y PV/MV. La válvula funcionará entre 20.5 y 28.5 VCA.
	Válvula de gas cerrada	ABRA la válvula de gas
	Módulo de ignición defectuoso	Verifique si hay entrada de 24 V CA a 24 V y 24 V a tierra. (Si llega voltaje al módulo, pero no a través del módulo, reemplácelo.
	Transformador defectuoso	Verifique si hay salida de 24v. Si no hay voltaje, reemplace.
	Interruptor de flujo defectuoso	Reemplace
<b>El piloto no enciende, el quemador no enciende, continuación.</b>	Termostato defectuoso	Reemplace
	Interruptor de leva defectuoso	Reemplace
<b>El piloto no enciende, el quemador no enciende, continuación.</b>	El encendedor no funciona	Pruebe si hay chispa. Pruebe si hay continuidad entre el cable de ignición y tierra <b>ADVERTENCIA: ¡El encendedor de alto voltaje puede causar una descarga eléctrica!</b>
	<b>El piloto enciende, pero el quemador no enciende</b>	Verifique si hay 24vCA entre la válvula principal (MV) y PV/MV
<b>El quemador se enciende, pero se apaga</b>	Si no hay vAC @ válvula, reemplace el módulo. Si obtiene voltaje, reemplace la válvula.	
	Verifique la continuidad entre el cable de ignición y el cable de tierra	Asegure una conexión a tierra correcta
	Módulo de ignición defectuoso	Reemplace el módulo
	Exceso de corriente	Proteja contra condiciones de viento

<b>Problema</b>	<b>Causa probable</b>	<b>Remedio</b>
<b>Hay olor a GN o LP presente</b>  <b>Advertencia:</b> Verifique todas las conexiones de gas con una solución jabonosa antes de la operación.	Fuga de gas delante de la válvula	Cierre el gas, llame al proveedor de gas
	El bloqueo no funciona	Reemplace el módulo
	Válvula atascada	Cierre la válvula de gas principal. Reemplace la válvula
<b>La temperatura del agua de descarga no alcanza la temperatura máxima de operación</b>	Boquilla de rociado desgastada	Reemplace la boquilla de rociado con el tamaño adecuado
	Presión de gas demasiado baja	Aumente la presión del gas o instale chorros adicionales
	Corriente debajo del múltiple del quemador	Evite la corriente descendente con la instalación del desviador de corriente descendente. Evite corrientes de aire laterales con una barrera no inflamable
	Acumulación de hollín en el serpentín	Limpie el serpentín
	Depósitos de agua dura (incrustaciones) en el serpentín	Descalcificar o reemplazar el serpentín
<b>La temperatura del agua de descarga es demasiado alta</b>	Termostato defectuoso	Reemplace
	Restricción de agua	Limpie o reemplace la boquilla de rociado, elimine las incrustaciones el serpentín, elimine las obstrucciones
	Presión de gas entrante demasiado alta	Presión de gas más baja
<b>El quemador continúa encendiéndose incluso cuando no se rocía agua</b>	Interruptor de flujo, interruptor vAC o interruptor de presión defectuosos	Reemplace
	Válvula de gas principal atascada abierta	Reemplace la válvula de gas principal
<b>Se roció agua sobre la válvula. Se ha sumergido en agua y no funciona.</b>	Inundación o rociado accidental	Reemplace la válvula - NO intente reparar o limpiar
<b>El módulo de ignición ha estado expuesto al agua o la humedad</b>	Inundación o rociado accidental	Reemplace el módulo - NO intente reparar

Para obtener ayuda adicional o para encontrar la ubicación de su servicio local autorizado, llame al **1-877-362-4271** o envíe un correo electrónico a **[cservice@fna-group.com](mailto:cservice@fna-group.com)**

## GARANTÍA LIMITADA

Todas las lavadoras a presión de FNA GROUP® están garantizadas por FNA GROUP® al comprador original contra defectos de materiales y mano de obra en condiciones normales de uso, durante los períodos que se especifican a continuación. Esta Garantía limitada está sujeta a las exclusiones que se muestran a continuación, se aplica únicamente a los componentes originales y se calcula a partir de la fecha de compra original. Cualquier parte reemplazada bajo esta garantía asumirá el resto del período de garantía original de la parte. Estas garantías pasan únicamente al comprador original y no son transferibles. Para encontrar el Centro de Servicio Autorizado (ASC) más cercano, comuníquese con el grupo de servicio al cliente: 1-877-362-4271 o envíe un correo electrónico a [cservice@fna-group.com](mailto:cservice@fna-group.com). El cliente es responsable de mantener y proporcionar una copia del recibo de compra al Centro de servicio autorizado en el momento de la reparación para comprobar el estado de la garantía.

Componente	Período de garantía	Exclusiones o Comentarios
Ensamblajes de marco / manija industriales (soldados) de acero o aluminio), Powershot, WaterBlaster, Water Shotgun, equipo Delco®.	10 año(s) para partes, 1 año para mano de obra	Óxido, daño químico, mal uso/abuso
Bombas triples AAA®	5 año(s) para partes, 1 año para mano de obra	Congelamiento, calidad de agua, daño químico, sobre presurización, bajo suministro de agua
Bombas de banda / accionamiento directo General Pump®	5 año(s) para partes, 1 año para mano de obra	Las bombas son evaluadas por General Pump®
Bombas de accionamiento de banda CAT®	5 año(s) para partes, 1 año para mano de obra	Las bombas son evaluadas por CAT® Pump
Bombas de accionamiento de banda UDOR®	7 año(s) para partes, 1 año para mano de obra	Las bombas son evaluadas por UDOR® Pump
Bombas de banda / accionamiento directo Comet Pump®	5 año(s) para partes, 1 año para mano de obra	Las bombas son evaluadas por Comet® Pump
Serpentines, tanques de serpiente, tanque de combustible / flotante, protecciones de banda	5 año(s) para partes, 1 año para mano de obra	Congelamiento, calidad de agua, daño químico, sobre presurización
Bombas de accionamiento directo CAT®	2 año(s) para partes, 1 año para mano de obra	Las bombas son evaluadas por CAT® Pump
Bombas axiales OEM®	1 año para partes, 1 año para mano de obra	Congelamiento, calidad de agua, daño químico, sobre presurización, bajo suministro de agua
Ensamblajes de motor/bomba eléctrica	1 año para partes, 1 año para mano de obra	Congelamiento, calidad de agua, daño químico, sobre presurización, bajo suministro de agua
Motores Delco, generadores Simpson, componentes de ensamblaje de quemador	1 año para partes, 1 año para mano de obra	Congelamiento, calidad del combustible, daño por sobre presurización, voltaje incorrecto
Componentes del marco/manija del consumidor (Megashot)	1 año para partes, 1 año para mano de obra	Óxido, daño químico, mal uso/abuso
Componentes eléctricos, interruptores, contactores, relevadores de sobrecarga, transformadores, placas de circuito impreso, módulos de control	90 días para partes, 90 días para mano de obra	Óxido, daño químico, mal uso/abuso, congelamiento, calidad del combustible, daño debido a sobre presurización, voltaje incorrecto
Artículos accesorios: Boquillas, mangueras, pistolas de gatillo, varillas/lanzas, inyectores, válvulas de descarga, carretes de manguera, espumadores, GFCI, válvulas de alivio, filtros, ruedas, neumáticos, limpiadores de superficies, tanques de jabón	90 días para partes, 90 días para mano de obra	Óxido, daño químico, mal uso/abuso, congelamiento, calidad del combustible, daño debido a sobre presurización, voltaje incorrecto



## GARANTÍA PROPORCIONADA POR OTROS FABRICANTES:

Los motores eléctricos y los motores de gasolina o diesel, que están garantizados por sus respectivos fabricantes, se reparan a través de los centros de servicio locales autorizados de estos fabricantes. The FNA GROUP® no está autorizado y no tiene la responsabilidad de proporcionar el servicio de garantía para dichos componentes.

### Esta garantía no cubre los siguientes elementos:

1. Elementos de desgaste normal como sellos, anillos O, empaquetaduras, pistones, ensamblajes de válvulas de bomba, filtros, correas, cepillos, fusibles, filtros, ventiladores o empaques.
2. Daños o mal funcionamiento resultantes de accidentes, abuso, modificaciones, alteraciones, instalación incorrecta, servicio inadecuado, incumplimiento de las instrucciones de mantenimiento del fabricante o uso del equipo más allá de las especificaciones de uso indicadas en el manual del propietario.
3. Daños por congelación, deterioro químico, acumulación de incrustaciones, óxido, corrosión, calidad del agua o expansión térmica.
4. Daños a los componentes por fluctuaciones en el suministro eléctrico o de agua.
5. Servicio de mantenimiento normal, incluyendo ajustes, limpieza del sistema de combustible y limpieza de obstrucciones.
6. Gastos de viaje o gastos de envío de máquinas o componentes con fines de reparación o sustitución de equipos.
7. La obligación de la garantía del fabricante se limita a la reparación o el reemplazo de los componentes defectuosos conforme lo dispuesto en este documento y el fabricante no será responsable de ninguna pérdida, daño o gasto adicional, incluidos los daños por envío, accidente, abuso, caso fortuito, mal uso, calidad del agua o descuido. Tampoco se anulará la garantía por daños causados por reparaciones con piezas que no sean OEM o alteraciones realizadas por personal no autorizado por la fábrica, ni por no instalar y operar el equipo de acuerdo con las pautas establecidas en el manual de instrucciones.

## LIMITACIÓN DE RESPONSABILIDAD

Se renuncia expresamente a la responsabilidad de FNA GROUP por daños especiales, incidentales o consecuentes. En ningún caso la responsabilidad de FNA GROUP excederá el precio de compra del producto en cuestión. The FNA GROUP hace todo lo posible para garantizar que todas las ilustraciones y especificaciones sean correctas; sin embargo, esto no implica una garantía de que el producto sea comercializable o apto para un propósito particular, o que el producto realmente se ajuste a las ilustraciones y especificaciones. Nuestra obligación en virtud de esta garantía se limita expresamente, a nuestra opción, al reemplazo o reparación en un centro de servicio o fábrica designado por nosotros, de la parte o partes que la inspección revele como defectuosas. **LA GARANTÍA CONTENIDA EN EL PRESENTE DOCUMENTO SUSTITUYE TODAS LAS DEMÁS GARANTÍAS EXPRESAS O IMPLÍCITAS, INCLUYENDO CUALQUIER GARANTÍA IMPLÍCITA DE COMERCIABILIDAD O IDONEIDAD PARA UN FIN DETERMINADO, se limitan expresamente a la duración de esta garantía escrita.** The FNA GROUP® no autoriza a ninguna otra parte a realizar ninguna representación o promesa en nombre de FNA GROUP® ni a modificar los términos, condiciones o limitaciones de ninguna manera. Es responsabilidad del comprador asegurarse que la instalación y el uso de los productos cumplan con los códigos locales. Si bien FNA intenta garantizar que sus productos cumplan con los códigos nacionales; no puede ser responsable de cómo el cliente elige usar o instalar el producto. Algunos estados no permiten limitaciones sobre la duración de una garantía implícita o la exclusión o limitación de daños incidentales o consecuentes, por lo que es posible que la limitación o exclusión anterior no se aplique.

FNA GROUP  
7152 99th Ave.  
Pleasant Prairie, WI 53158  
(847)348-1500  
www.fna-group.com

# NOTAS

---

---

**ESTA PÁGINA SE DEJÓ EN BLANCO INTENCIONALMENTE**





**LEA ESTE MANUAL DETENIDAMENTE ANTES DE LA OPERACIÓN**

El incumplimiento de las instrucciones y precauciones de seguridad de este manual puede provocar daños a la propiedad, lesiones graves y/o la muerte.

**CONSERVE ESTE MANUAL PARA FUTURA REFERENCIA**