



# SRP4020E 230V PD 50/60Hz - CONTROL I

## 814.0391-0

**ATTENTION:** This drawing is a SCHULZ COMPRESSORES Ltda property. All rights reserved. Is not allowed to copy its content without authorization. If you have any doubt, please contact Products Department of Schulz Compressors.

|           |        |     |             |     |     |            |                 |
|-----------|--------|-----|-------------|-----|-----|------------|-----------------|
| ---       | ---    | --- | ---         | --- | --- | ---        | ---             |
| ---       | ---    | --- | ---         | --- | --- | ---        | ---             |
| ---       | ---    | --- | ---         | --- | --- | ---        | ---             |
| ---       | ---    | --- | ---         | --- | --- | ---        | ---             |
| CARLOS.BR | ---    | 00  | ANDERSON.SE | --- | --- | 11/04/2019 | DRAWING RELEASE |
| APPROVED  | S.A.P. | Nº  | DRAWN       | PG  | CO  | DATE       | CHANGEMENT      |
| REVIEW    |        |     |             |     |     |            |                 |

SRP4020E 230V PD 50/60Hz - CONTROL I



|          |             |            |                  |             |
|----------|-------------|------------|------------------|-------------|
|          | NAME        | DATE       | Title Page       | Scale: 1: 1 |
| DRAWN    | ANDERSON.SE | 26/10/2018 |                  |             |
| CHECKED  | IDERALDO.CO | 12/04/2019 |                  |             |
| APPROVED | CARLOS.BR   | 15/04/2019 | CODE: 814.0391-0 | PAGE 1 / 5  |



**ATTENTION:** This drawing is a SCHULZ COMPRESSORES Ltda property. All rights reserved. Is not allowed to copy its content without authorization. If you have any doubt, please contact Products Department of Schulz Compressors.

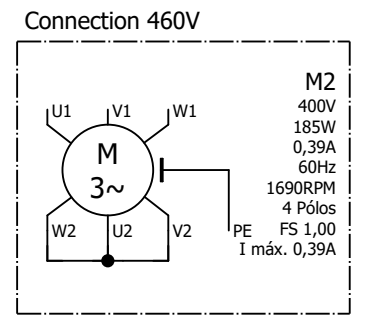
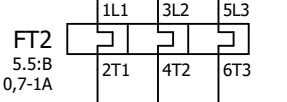
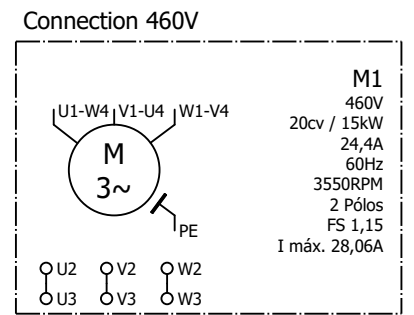
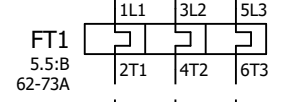
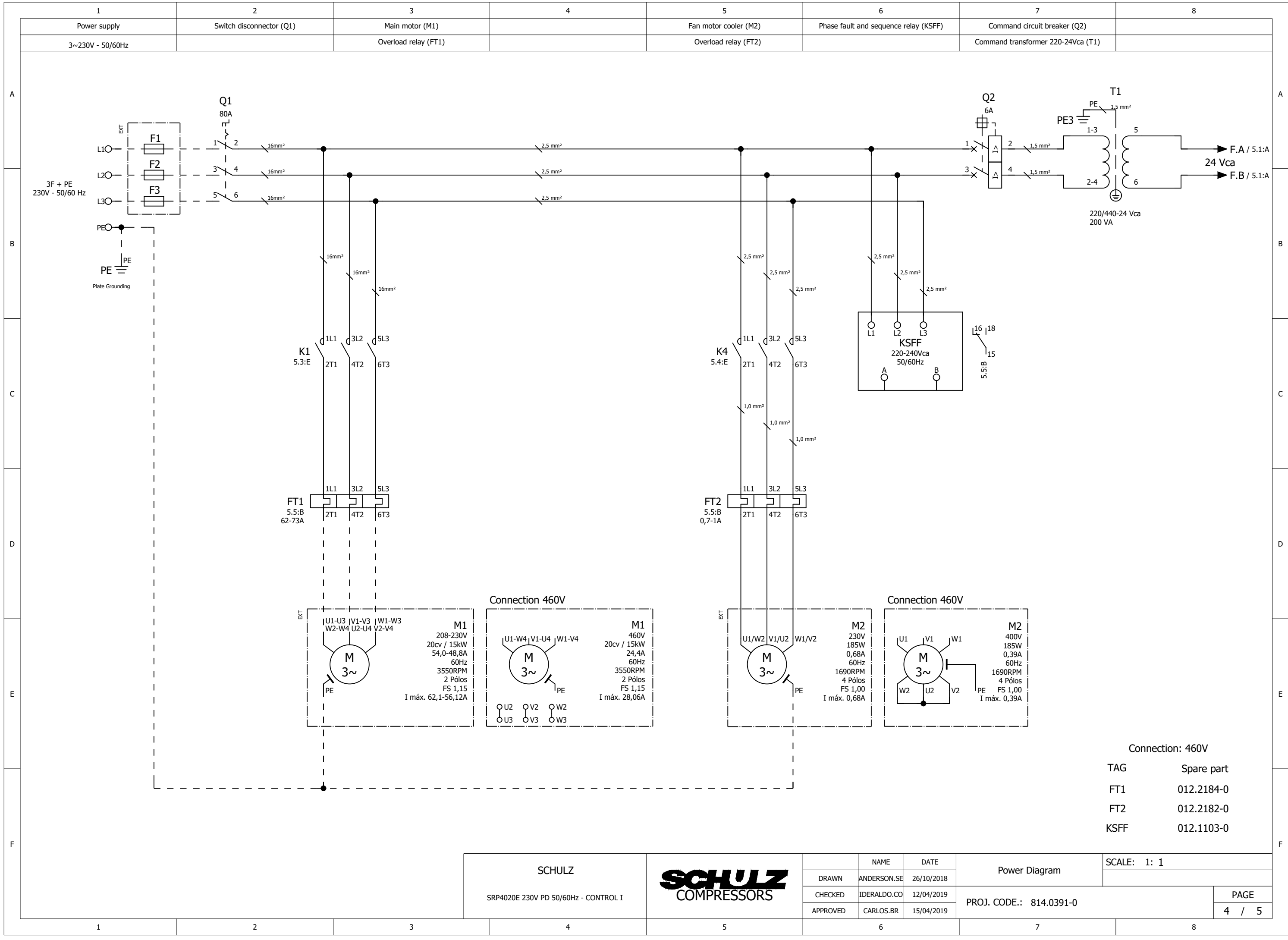
| Component | Description                      |
|-----------|----------------------------------|
| K1        | Contactor Line                   |
| K2        | Contactor Delta                  |
| K3        | Contactor Star                   |
| K4        | Contactor Fan                    |
| K5        | Contactor Dryer                  |
| K6        | Contactor Fan Enclosure Electric |
| KA1       | Contactor Auxiliary 1            |
| KA2       | Contactor Auxiliary 2            |
| KA3       | Contactor Auxiliary 3            |
| KA4       | Contactor Auxiliary 4            |
| M1        | Main motor                       |
| M2        | Dryer fan (cooler)               |
| M3        | Hermetic compressor motor        |
| M4        | Fan dryer                        |
| M5        | Electric panel fan               |
| M6        | Electric panel fan               |
| FT1       | Overload relay / main motor      |
| FT2       | Overload relay / fan cooler      |
| QN        | 1-pole circuit breaker           |
| QN        | 2 poles circuit breaker          |
| FN        | Command fuse                     |

| Component | Description                                       |
|-----------|---|
| 1X0       | Power terminal                                    |
| 1X1       | Control terminal / 24 VCA                         |
| 1X2       | Control terminal / 220 VCA                        |
| XSN       | Bar terminal                                      |
| TN        | Transformer Control                               |
| B1        | Emergency stop                                    |
| Y1        | Intake solenoid valve                             |
| Y2        | Solenoid valve for modulating control             |
| Y3        | Solenoid valve, slow relief / pneumatic retention |
| PURG      | Electronic condensate drain                       |
| KSFF      | Phase fault and sequence relay                    |
| KTN       | Timer relay                                       |
| H         | Hour meter  |
| HN        | Signal lamp                                       |
| TR1       | Thermometer / thermostat                          |
| P1        | Load / Unload pressures switch                    |
| P2        | Unload pressure switch                            |
| P3        | Safety pressure switch                            |
| P4        | Low pressure switch                               |
| TP1       | Delivery pressure transducer                      |
| TP2       | Internal pressure transducer                      |

| Component | Description                              |
|-----------|--|
| TMP1      | Discharge temperature sensor             |
| TMP2      | Dryer temperature sensor                 |
| KP1       | PTC relay                                |
| S1        | Start button compressor / dryer          |
| S2        | Stop button compressor / dryer           |
| QN        | Switch disconnecter / 3 poles            |
| FTN       | Overload relay                           |
| CE1       | Compressor electronic controller         |
| CE2       | Dryer electronic controller              |
| G1        | Softstarter                              |
| A1        | Frequency converter                      |
| PWM       | PWM 4 ... 20ma converter                 |
| PV        | Fan pressure switch (dryer)              |
| PA        | High pressure switch (dryer)             |
| PB        | Low pressure switch (dryer)              |
| TK        | Fan overload switch                      |
| IM        | Indicator DE Maintenance                 |
| R1        | Heating resistance / main motor          |
| E1        | Heating resistance / hermetic compressor |
| RFO       | Oil filter restriction                   |
| RFA       | Air filter restriction                   |

|  |  |                        |                    |                     |                    |                                   |             |
|--|--|------------------------|--------------------|---------------------|--------------------|-----------------------------------|-------------|
| SCHULZ<br>SRP4020E 230V PD 50/60Hz - CONTROL I |  |                        |                    | NAME<br>ANDERSON.SE | DATE<br>26/10/2018 | Legend<br>PROJ. CODE.: 814.0391-0 | SCALE: 1: 1 |
|  |  | CHECKED<br>IDERALDO.CO | DATE<br>12/04/2019 | PAGE<br>3 / 5       |                    |                                   |             |
|  |  | APPROVED<br>CARLOS.BR  | DATE<br>15/04/2019 |                     |                    |                                   |             |

**ATTENTION:** This drawing is a SCHULZ COMPRESSORES Ltda property. All rights reserved. Is not allowed to copy its content without authorization. If you have any doubt, please contact Products Department of Schulz Compressors.



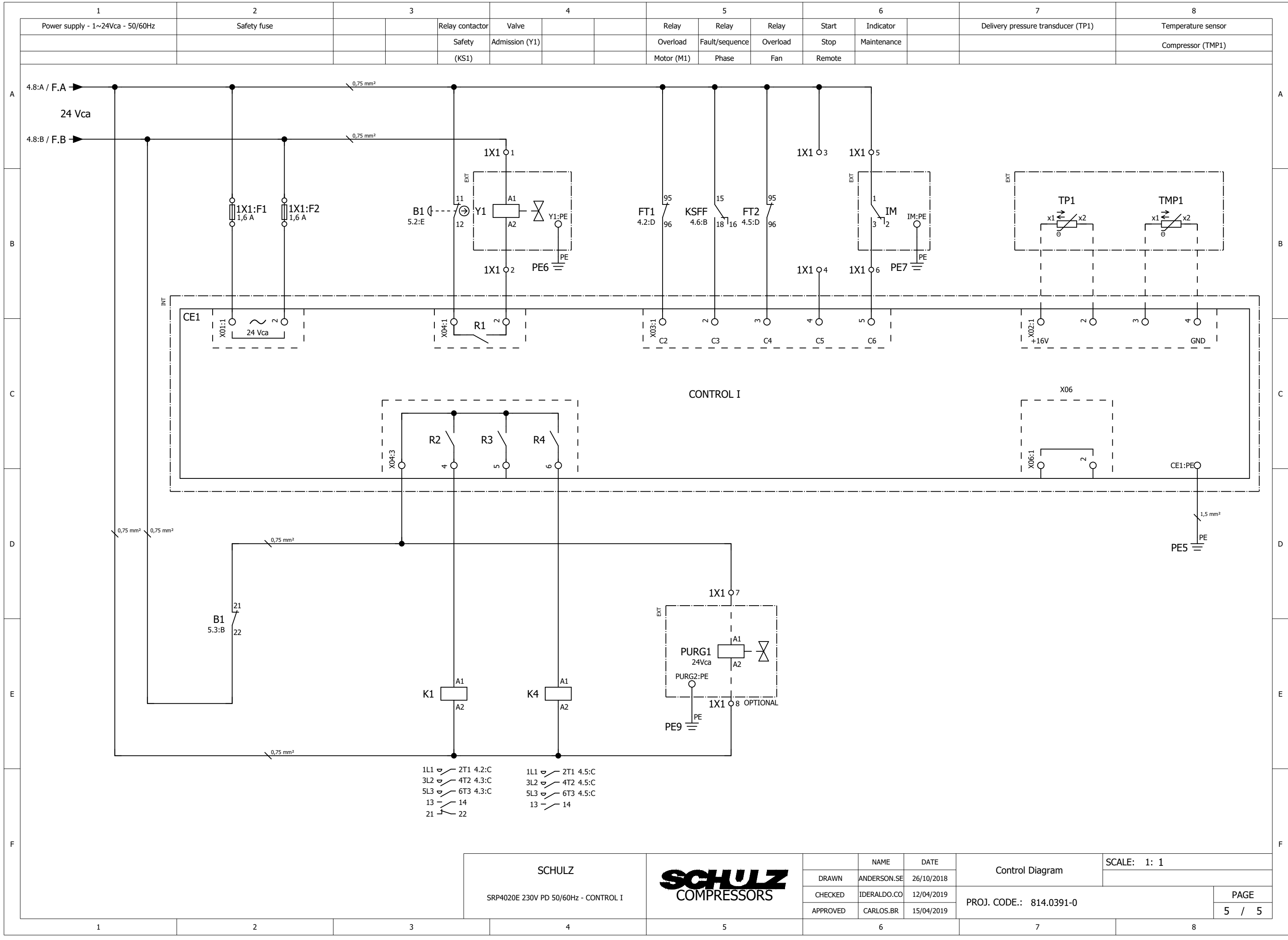
Connection: 460V

|      |            |
|------|------------|
| TAG  | Spare part |
| FT1  | 012.2184-0 |
| FT2  | 012.2182-0 |
| KSFF | 012.1103-0 |

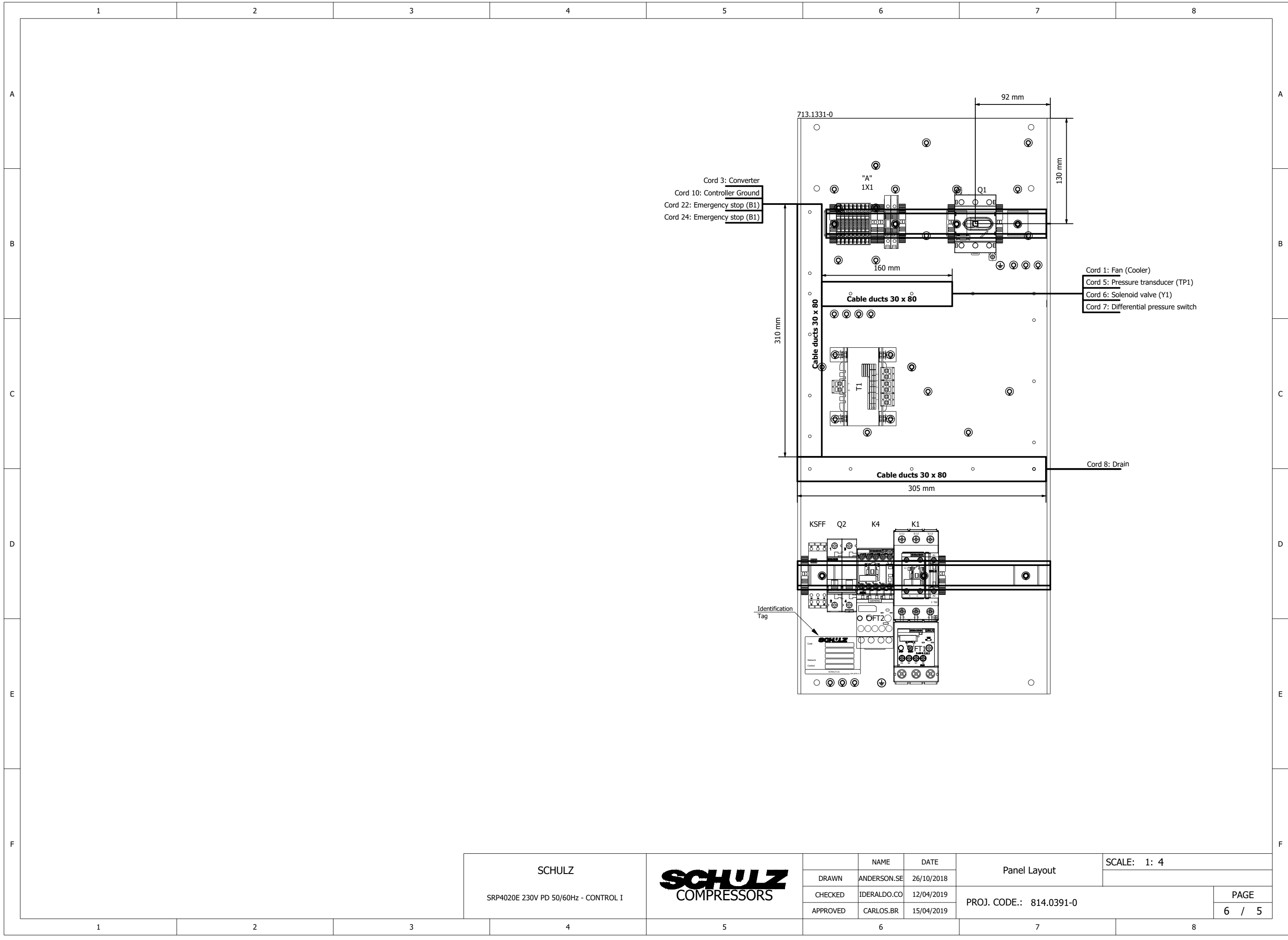
|                                      |  |                              |          |             |               |               |
|--------------------------------------|--|------------------------------|----------|-------------|---------------|---------------|
| SCHULZ                               |  | <b>SCHULZ</b><br>COMPRESSORS | NAME     | DATE        | Power Diagram | SCALE: 1: 1   |
| SRP4020E 230V PD 50/60Hz - CONTROL I |  |                              | DRAWN    | ANDERSON.SE |               |               |
|                                      |  |                              | CHECKED  | IDERALDO.CO | 12/04/2019    | PAGE<br>4 / 5 |
|                                      |  |                              | APPROVED | CARLOS.BR   | 15/04/2019    |               |

PROJ. CODE.: 814.0391-0

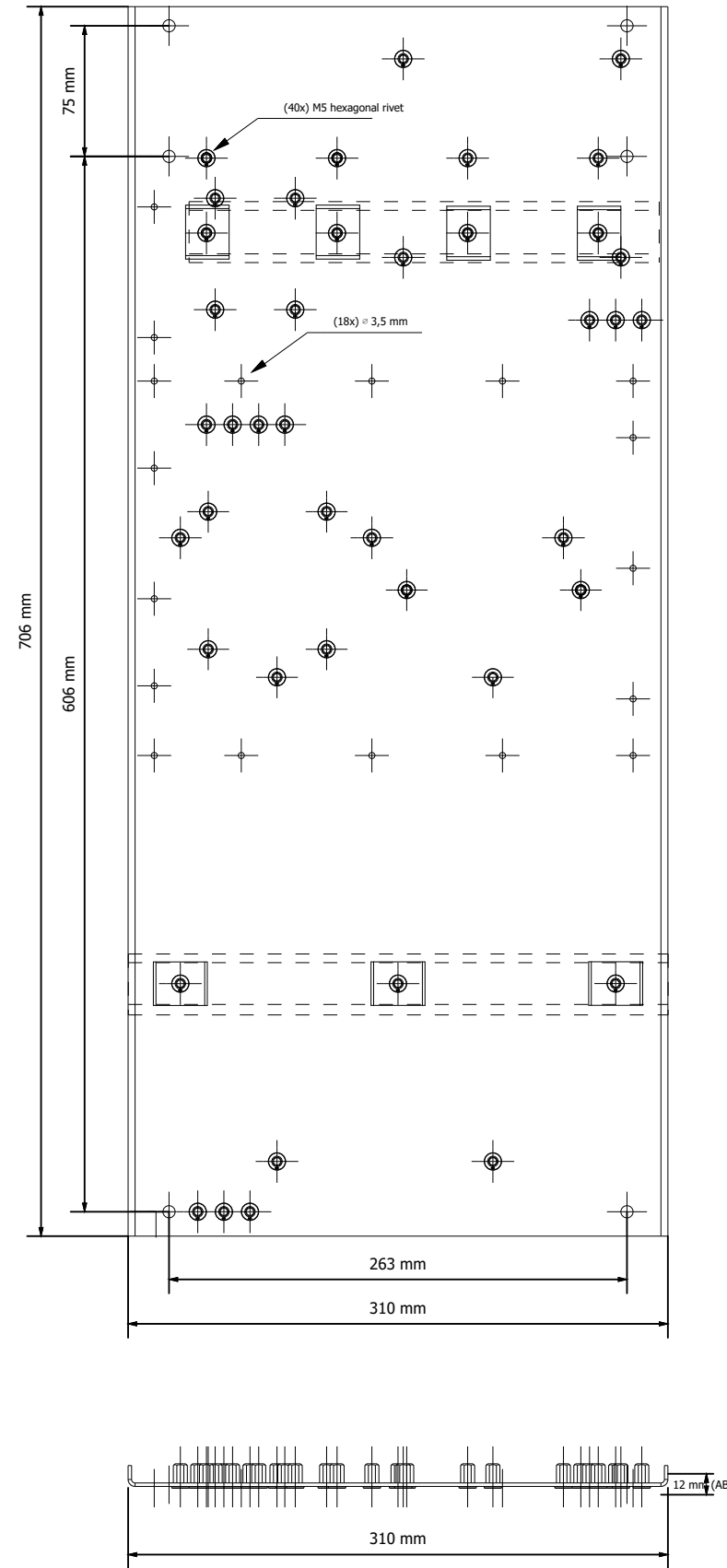
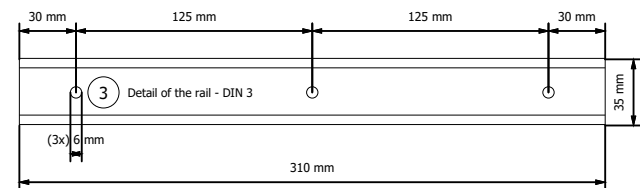
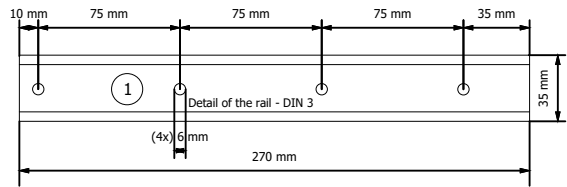
**ATTENTION:** This drawing is a SCHULZ COMPRESSORES Ltda property. All rights reserved. Is not allowed to copy its content without authorization. If you have any doubt, please contact Products Department of Schulz Compressors.



**ATTENTION:** This drawing is a SCHULZ COMPRESSORES Ltda property. All rights reserved. Is not allowed to copy its content without authorization. If you have any doubt, please contact Products Department of Schulz Compressors.



|                                      |  |                              |          |             |              |             |                         |  |  |
|--------------------------------------|--|------------------------------|----------|-------------|--------------|-------------|-------------------------|--|--|
| SCHULZ                               |  | <b>SCHULZ</b><br>COMPRESSORS | NAME     | DATE        | Panel Layout | SCALE: 1: 4 |                         |  |  |
| SRP4020E 230V PD 50/60Hz - CONTROL I |  |                              | DRAWN    | ANDERSON.SE |              | 26/10/2018  | PROJ. CODE.: 814.0391-0 |  |  |
|                                      |  |                              | CHECKED  | IDERALDO.CO | 12/04/2019   | PAGE        |                         |  |  |
|                                      |  |                              | APPROVED | CARLOS.BR   | 15/04/2019   | 6 / 5       |                         |  |  |



ATTENTION: This drawing is a SCHULZ COMPRESSORES Ltda property. All rights reserved. Is not allowed to copy its content without authorization. If you have any doubt, please contact Products Department of Schulz Compressors.

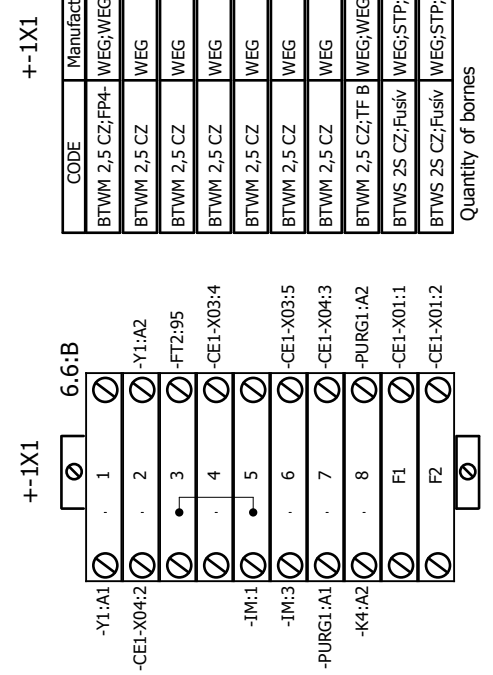
|                                      |  |                              |           |             |                       |                         |               |
|--------------------------------------|--|------------------------------|-----------|-------------|-----------------------|-------------------------|---------------|
| SCHULZ                               |  | <b>SCHULZ</b><br>COMPRESSORS | NAME      | DATE        | Mounting Plate Layout | SCALE: 1: 4             |               |
| SRP4020E 230V PD 50/60Hz - CONTROL I |  |                              | DRAWN     | ANDERSON.SE |                       | 26/10/2018              | PAGE<br>7 / 5 |
|                                      |  |                              | CHECKED   | IDERALDO.CO | 12/04/2019            | PROJ. CODE.: 814.0391-0 |               |
|                                      |  | APPROVED                     | CARLOS.BR | 15/04/2019  |                       |                         |               |







**ATTENTION:** This drawing is a SCHULZ COMPRESSORES Ltda property. All rights reserved. Is not allowed to copy its content without authorization. If you have any doubt, please contact Products Department of Schulz Compressors.



| CODE             | Manufacturer | Quantity |
|------------------|--------------|----------|
| BTWM 2,5 CZ;FP4  | WEG;WEG      | 1;1      |
| BTWM 2,5 CZ      | WEG          | 1        |
| BTWM 2,5 CZ      | WEG          | 1        |
| BTWM 2,5 CZ      | WEG          | 1        |
| BTWM 2,5 CZ      | WEG          | 1        |
| BTWM 2,5 CZ      | WEG          | 1        |
| BTWM 2,5 CZ      | WEG          | 1        |
| BTWM 2,5 CZ;TF B | WEG;WEG;WE   | 1;1;1    |
| BTWS 25 CZ;Fusiv | WEG;STP;WEG  | 1;1;1    |
| BTWS 25 CZ;Fusiv | WEG;STP;WEG  | 1;1;1;1  |

Quantity of bornes 10

SCHULZ  
SRP4020E 230V PD 50/60Hz - CONTROL I



|          | NAME        | DATE       |
|----------|-------------|------------|
| DRAWN    | ANDERSON.SE | 26/10/2018 |
| CHECKED  | IDERALDO.CO | 12/04/2019 |
| APPROVED | CARLOS.BR   | 15/04/2019 |

|                         |             |
|-------------------------|-------------|
| Terminal Diagram        | SCALE: 1: 1 |
| PROJ. CODE.: 814.0391-0 | PAGE 10 / 5 |