



SELF-PRIMING CENTRIFUGAL AGRICULTURAL PUMP

MODEL / UT NUMBER / DESCRIPTION:

AP22B	L1549Z	2-INCH AGRICULTURAL PUMP, EPDM SEALS, BRIGGS & STRATTON 3½HP ENGINE
AP24B	L1684Z	2-INCH AGRICULTURAL PUMP, BUNA-N SEALS, BRIGGS & STRATTON 3½HP ENGINE
AP52B	L1552Z	2-INCH AGRICULTURAL PUMP, EPDM SEALS, BRIGGS & STRATTON 5½HP ENGINE
AP54B	L1685Z	2-INCH AGRICULTURAL PUMP, BUNA-N SEALS, BRIGGS & STRATTON 5½HP ENGINE
AP52K	L1686Z	2-INCH AGRICULTURAL PUMP, EPDM SEALS, KOHLER 5½HP ENGINE
AP54K	L1687Z	2-INCH AGRICULTURAL PUMP, BUNA-N SEALS, KOHLER 5½HP ENGINE
AP52H	L1612Z	2-INCH AGRICULTURAL PUMP, EPDM SEALS, HONDA GX160 ENGINE
AP64Y	L1667Z	2-INCH AGRICULTURAL PUMP, BUNA-N SEALS, YANMAR 4.7HP DIESEL ENGINE, ROLL CAGE

INSTRUCTIONS & PARTS LIST

SYMBOL DEFINITION



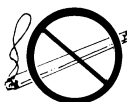
Do not pump flammable materials. Fire could occur.



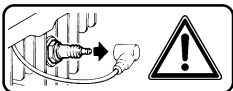
Do not pump hazardous material.



Read your product literature before use.



Do not smoke or bring flame near gasoline.



Disconnect spark plug before performing maintenance, adjustment, lubrication, and storage.

- Always keep the machine and associated equipment clean, properly serviced and maintained according to the instructions in this manual.
- Observe all safety regulations for the safe handling and storage of fuel. Handle fuel in approved vented fuel cans. Do not store fuel supplies in a garage, shed or other areas attached to living quarters. Do not refill the fuel tank in an area attached to living quarters. Do not refill the engine while it is running or hot. Carefully clean up any spilled fuel before starting the engine.
- Do not smoke or bring flame near gasoline.
- Do not operate the pump at shut-off pressure for more than 2 minutes.
- Do not operate this pump if any safety equipment or guard has been removed.
- Never operate the machine in any explosive atmosphere, near combustible materials, or where there is not enough ventilation to carry off the exhaust fumes. DO NOT operate pump indoors or in crawl spaces.
- Always be sure the machine is on secure footing and cannot shift to where it might injure someone. Remember that the suction hose on the pump tends to pull the pump towards the liquid source during pumping.
- Keep the immediate area free of bystanders.
- When pulling the starter, be sure that nothing is in a position to be hit by the operator's hand or arm, or the starting rope.
- Do not touch the hot cylinder and muffler area.
- Shut off the engine and disconnect the spark plug wire before working on any part of the machine.
- Long or continuous exposure to high noise levels, such as the operation of a gasoline engine, may cause permanent hearing impairment or other possible effects. Hearing protection devices are available from your dealer, or can be ordered through him.
- Use only genuine product manufacturer's replacement parts. Failure to do so may cause poor fit and possible injury.
- **BEWARE OF USING THIS EQUIPMENT IN CONFINED SPACES.** Confined spaces, without sufficient fresh air ventilation, can contain dangerous gases. Running gasoline engines in such environments can lead to deadly explosions and/or asphyxiation.

SAFETY PRECAUTIONS

- This pump is designed for pumping only water. Under no circumstances should it be used for pumping hazardous materials including flammable materials such as gasoline.
- Before start-up, study all of the instructions in this manual. Be sure you thoroughly understand how to operate the pump. Proper preparation, operation and simple maintenance will improve operator safety, pump performance and long unit life.
- Be sure that each person who operates the machine is properly instructed as to its safe operation.

UNCRATING THE PUMP

Look carefully for shipping damage. If damage of any sort is detected, notify your dealer or the shipper. Remove all shipping blocks and clamps. If the unit is engine-driven, it is very important that it be free to float on it's springs.

DIESEL ENGINE AND 4-CYCLE ENGINE-DRIVEN PUMPS

An engine manual for the specific engine is included. See Engine Manual for fueling recommendations.

Diesel engines and 4-cycle engines have oil-filled crankcases which were drained for shipment and must be refilled before operation of engine.

Read and follow all instructions in this Owner's Manual and the Engine Manual before performing any preparation, operation and maintenance to the pump.

PRIMING

DO NOT START OR RUN THIS UNIT UNLESS THERE IS WATER IN THE PUMP.

The pump depends upon water for internal lubrication; dry running will quickly ruin the seal. Fill the pump cavity with water at the filler plug or inlet nipple before starting the engine.

The pump is self priming to lifts of 25 feet (7.6 m). The time required to prime is greatly affected by the lift. For the shortest priming time, place the pump as close to the water source as possible.

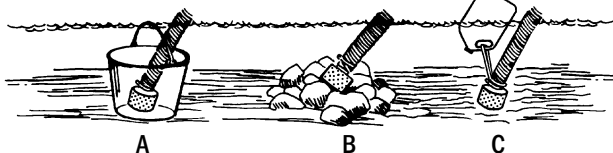
HOSE CONNECTIONS

Make certain that the suction hose connection is air tight. Air leakage at the inlet will prevent the pump from priming and reduce pumping efficiency. Discharge hose should be used at the outlet. Keep hoses as short as possible; do not allow hoses to kink or be run over by vehicles; check suction hoses for broken linings which will interfere with the flow. If pipe is used, connect a short piece of flexible hose between the pipe and the pump.

STRAINER

The strainer available for this pump (43307) is designed to fit a 2-inch hose. The strainer orifices are sized to permit passage of solids that the unit is designed to handle. Do not operate the pump without a strainer or use a strainer with larger holes.

When the suction strainer is likely to clog with debris, prepare a bed of stones on which to rest the strainer (A); tie it in a basket or pail (B); or tie the strainer to a float so that it stays off the bottom (C).

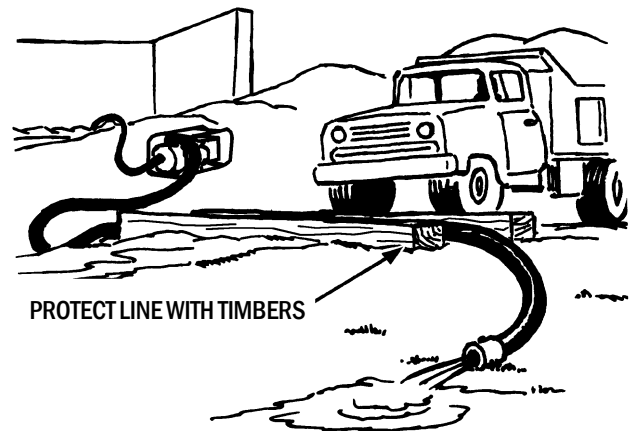


ELBOW & NIPPLE INSTALLATION

Wrap the male threads with Teflon® sealing tape. This tape gives a better seal than pipe joint compound without making the connections so tight as to damage the threads. Assemble nipple into the pump body. The proper tightness is hand tight plus one full turn with a pipe wrench (no tighter).

OPERATING INSTRUCTIONS

1. Use a strainer on the end of the suction line.
2. Make sure that all hose and pipe connections are air tight. An air leak in the suction line may prevent priming and will reduce the lift capacity of the pump.
3. Place the pump as close to the liquid to be pumped as possible. Keep the pump and engine on a level foundation. When the suction hose is hanging down a steep bank or into a hole, the weight of the hose and the liquid in it can pull the pump into the liquid. To prevent "walking" and the possible loss of the pump, tie it down.
4. In freezing weather, always drain the liquid from the pump after use by removing the drain plug. In freezing weather, crank the engine very slowly so you can feel whether the pump is free to run before you crank to start the engine. If the pump is frozen, thaw it out slowly. Do not use fire to thaw the pump.
5. Maximum volume is achieved by:
 - a. keeping hoses as straight as possible, and avoiding kinks and sharp bends.
 - b. making the vertical suction lift (distance from the water being pumped to the pump suction port) as short as possible.
 - c. using correct diameter suction and discharge lines (larger diameter provides lower friction).
 - d. using as few connectors, elbows and adapters as possible.
 - e. maintaining the pump and associated equipment in good operating condition.
6. If flexible hose must be laid across a roadway, protect it with planking. Instantaneous shut-off pressures, applied when a vehicle runs across an unprotected line, can cause damage to the pump and hose.



7. The rubber check valve in the pump discharge seals off the pump to retain liquid in the suction line so that the pump will start pumping immediately after short periods of shutdown.
8. Check the level of oil in the engine crankcase before starting.

IMPELLER & SEAL SERVICING

1. Using a large screwdriver to remove the screws, lock washers and nuts, remove the pump body from the impeller housing.
 2. Remove the rubber check valve from the “chimney” of the volute. Remove the large self-tapping screw at the top of the volute and the two smaller self-tapping screws at the sides of the volute.
 3. Unscrew the impellerscrew and remove it along with the small O-ring. Slide the impeller off the shaft and key.
 4. One half of the shaft seal is in the impeller hub, the other half is on the shaft inside the back plate. Remove both halves.
 5. Remove the four steel screws (and small O-rings) and pull the impeller housing off the engine. See that the key fits the shaft groove snugly. If it doesn't, replace the key with a wider one.
 6. The clearance between the impeller blades and the volute must be about .015" for good pumping. If the impeller blades and volute are worn, there may be too much “front” clearance. You can reduce the clearance by taking out one or more of the shims between the impeller housing and the engine. After locking the impeller back in place temporarily, check the impeller blade-to-volute clearance with a feeler gauge. Continue (below) with reassembly.
- CAUTION:** When reassembling pump, after adjustment of the clearance you must check that there is no contact between the volute and impeller. Rotate shaft slowly by hand and listen for scraping noises.
7. If you cannot get a clearance reasonably close to .015" between the impeller and wear plate, install new parts as required.
 8. Put all of the parts back together in the reverse of the order used in disassembly. Be sure to change all of O-ring seals unless you are positive they are in good condition. The four screws (with an O-ring on each) holding impeller housing to engine should be tightened securely with a large screwdriver.
 9. The screws holding the volute in place do not have to be tightened any more than needed to secure the volute during assembly. Overtightening may cut the O-rings. The impeller and the outside body screws should be made moderately tight to insure against air leaks.
 10. When assembling nipples, fittings, and elbows into the pump body, wrap the male threads with Teflon® sealing tape. This tape gives a more superior seal than pipe joint compound without making the connections so tight as to damage the threads. The proper tightness is hand tight plus one full turn with a pipe wrench. (No tighter than that, please.)

WARNING: Do not use any petroleum oil or grease in the assembly and do not pump petroleum products with this pump.

LIMITED WARRANTY

Riverside Pump Manufacturing Inc. warrants to the original retail purchaser that this Riverside Pump Manufacturing Product is free from defects in material and workmanship and agrees to repair or replace, at the discretion of Riverside Pump Manufacturing, Inc., any defective Product free of charge within the time period of **One Year** from the date of purchase.

This warranty is not transferable and does not cover damage resulting from defects other than in material or workmanship, or damage caused by unreasonable use, including the failure to provide reasonable and necessary maintenance. Also, the warranty obligations do not apply to conditions resulting from misuse, alteration or accident. In addition, this warranty does not cover replacement of non-defective parts (such as seals, wear plates and impellers) that may wear and need to be replaced with reasonable use within the warranty period or which may require replacement in connection with normal maintenance.

SAVE YOUR SALES SLIP

Proof of purchase in the form of your dated sales receipt, cash register slip, etc. showing the serial number and the model of your Product will be required. You must, at your own expense, arrange to deliver or ship the Product for warranty repairs and arrange for pickup or return of the Product after repairs have been made.

THIS WARRANTY DOES NOT APPLY TO ANY TRADE ACCESSORY OR ENGINE WHICH IS SEPARATELY WARRANTED BY ANOTHER MANUFACTURER AND NOT MANUFACTURED BY RIVERSIDE PUMP MANUFACTURING INC.

THIS LIMITED WARRANTY IS IN LIEU OF ALL OTHER EXPRESS WARRANTIES. ANY IMPLIED WARRANTY OF FITNESS FOR A PARTICULAR PURPOSE, MERCHANTABILITY OR OTHERWISE, APPLICABLE TO THIS PRODUCT, SHALL BE LIMITED IN DURATION TO THE DURATION OF THIS LIMITED WARRANTY. RIVERSIDE PUMP MANUFACTURING INC. SHALL NOT BE LIABLE FOR ANY SPECIAL, INCIDENTAL OR CONSEQUENTIAL DAMAGES.

SOME STATES DO NOT ALLOW LIMITATIONS ON HOW LONG AN IMPLIED WARRANTY LASTS, SO THE ABOVE LIMITATION MAY NOT APPLY TO YOU. SOME STATES DO NOT ALLOW THE EXCLUSION OR LIMITATION OF INCIDENTAL OR CONSEQUENTIAL DAMAGES, SO THE ABOVE LIMITATION OR EXCLUSION MAY NOT APPLY TO YOU.

HOW TO OBTAIN WARRANTY SERVICE

Warranty service can be obtained from a Riverside Pump Manufacturing Inc. dealer or distributor authorized to make warranty repairs. If you need warranty service, check first with the Riverside Pump Manufacturing dealer or distributor from whom you purchased the Product, or call for the name and location of the nearest dealer providing warranty service: 1-800-696-9005 or 1-843-537-5579.

Riverside Pump Manufacturing Inc. will not make any reimbursements for warranty service, except to Riverside Pump Manufacturing Inc. dealers or distributors authorized to make warranty repairs. You must present your sales receipt when making any claim for warranty service.

This warranty gives you specific legal rights, and you may also have other rights which vary from state to state.



AMORÇAGE AUTOMATIQUE POMPE CENTRIFUGE

MODÈLE / UT NOMBRE / DESCRIPTION:

AP22B	L1549Z	2" POMPE AGRICOLE, JOINTS - EPDM, BRIGGS & STRATTON 3½HP MOTEUR
AP24B	L1684Z	2" POMPE AGRICOLE, JOINTS - BUNA-N, BRIGGS & STRATTON 3½HP MOTEUR
AP52B	L1552Z	2" POMPE AGRICOLE, JOINTS - EPDM, BRIGGS & STRATTON 5½HP MOTEUR
AP54B	L1685Z	2" POMPE AGRICOLE, JOINTS - BUNA-N, BRIGGS & STRATTON 5½HP MOTEUR
AP52K	L1686Z	2" POMPE AGRICOLE, JOINTS - EPDM, KOHLER 5½HP MOTEUR
AP54K	L1687Z	2" POMPE AGRICOLE, JOINTS - BUNA-N, KOHLER 5½HP MOTEUR
AP52H	L1612Z	2" POMPE AGRICOLE, JOINTS - EPDM, HONDA GX160 MOTEUR
AP64Y	L1667Z	2" POMPE AGRICOLE, JOINTS - BUNA-N, YANMAR 4.7HP DIESEL MOTEUR, CHÂSSIS

INSTRUCTIONS ET LISTE DE PIÈCES DE RECHANGE

DÉFINITION DES SYMBOLES



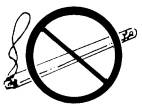
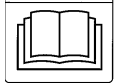
Ne pas pomper de produits inflammables. Un incendie risquerait de se produire.



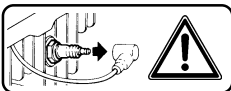
Ne pas pomper de produits dangereux.



Lire les imprimés sur le produit.



Ne pas fumer ni approcher de flamme près d'essence.



Débrancher la bougie avant de procéder à l'entretien, le réglage, la lubrification ou le remisage de la pompe.

PRÉCAUTIONS DE SÉCURITÉ

- Cette pompe est conçue pour le pompage de l'eau et d'engrais, herbicides et pesticides agricoles liquides d'usage général. Cette pompe ne doit pas être utilisée pour le pompage de l'essence ou de tout autre substance inflammable. L'explosion pouvant en résulter est susceptible d'occasionner des blessures graves. Les substances corrosives doivent être manipulées avec précaution, en respectant les instructions relatives à la substance en question.
- Avant d'utiliser la pompe, étudier toutes les instructions données dans ce manuel. S'assurer de bien en comprendre le fonctionnement. Veiller à correctement la préparer, l'utiliser et en assurer l'entretien de routine pour la sécurité de l'utilisateur, un rendement optimum et une plus grande durabilité de la machine.
- S'assurer que chaque personne appelée à utiliser la machine a reçu les instructions appropriées pour garantir un fonctionnement en toute sécurité.
- Toujours faire en sorte que la machine et le matériel qui lui est associé restent propres, convenablement révisés et entretenus, conformément aux instructions données dans ce manuel.
- Observer tous les règlements de sécurité s'appliquant à la manipulation et à l'entreposage de carburant. Manipuler celui-ci dans des récipients ventilés. Ne pas entreposer de carburant dans un garage, un appentis ou tout autre emplacement jouxtant des bâtiments d'habitation. Ne pas remettre de l'essence dans le réservoir dans un tel emplacement. Ne pas refaire le plein du réservoir pendant que le moteur tourne ou qu'il est encore chaud. Essuyer soigneusement toute éclaboussure de carburant avant de faire redémarrer le moteur.
- Ne pas fumer ni approcher de flamme près d'essence.
- Ne pas faire fonctionner la pompe à une pression d'arrêt pendant plus de 2 minutes.
- Ne jamais utiliser cette machine si l'un des dispositifs de protection n'est pas en place.
- Ne jamais faire fonctionner la machine dans une atmosphère propice aux explosions, à proximité de matériaux combustibles ou dans un endroit où la ventilation est insuffisante pour évacuer convenablement les gaz d'échappement. NE PAS faire fonctionner la pompe à l'intérieur ou dans le vide sanitaire sous la maison.
- Toujours s'assurer que la machine est stable et qu'elle ne peut pas se déplacer jusqu'à un endroit où elle risque de blesser quelqu'un. Ne pas oublier que le tuyau d'aspiration de la pompe tend à tirer celle-ci vers la source de liquide pendant le pompage.
- Éloigner toute personne non nécessaire au fonctionnement de la pompe de sa proximité immédiate.
- Au moment du démarrage de la machine, s'assurer que rien ne fait obstacle au déplacement de la main ou du bras de l'utilisateur, ni à la course du cordon du démarreur.
- Ne pas toucher le cylindre ni la zone du silencieux d'échappement.
- Arrêter le moteur et débrancher le fil de la bougie avant de travailler sur une pièce quelconque de la machine.
- L'exposition prolongée ou continue à des niveaux élevés de bruit, tels ceux produits par un moteur à essence, risque de provoquer une perte permanente d'acuité auditive ou d'avoir d'autres effets. Des protecteurs individuels sont disponibles auprès de votre concessionnaire ou peuvent être commandés par son intermédiaire.
- Utiliser uniquement des pièces de rechange de la même marque. D'autres pièces risquent de ne pas assurer un bon ajustement et d'occasionner des blessures.
- **ATTENTION SI VOUS UTILISEZ CET ÉQUIPEMENT DANS DES ESPACES CONFINÉS.** Les espaces confinés, sans ventilation d'air frais suffisante, risquent de contenir des gaz dangereux. Faire fonctionner un moteur à essence dans de tels cas peut provoquer une explosion ou une asphyxie mortelle.

DÉBALLAGE DE LA POMPE

Vérifier soigneusement si l'appareil a été endommagé pendant le transport. Si c'est le cas, en aviser le concessionnaire ou le transporteur. Enlever toutes cales et pinces d'emballage. Si l'appareil est actionné par un moteur, il est très important que le mouvement du moteur sur ses ressorts ne soit pas entravé.

POMPES À MOTEUR 4 TEMPS OU DIESEL

Un Manuel est fourni pour le moteur utilisé. Voir les recommandations concernant le carburant dans le Manuel du moteur.

Le carter des moteurs diesel et 4-temps est vidé de son huile aux fins de transport et doit être rempli avant de faire fonctionner le moteur.

Lire et suivre toutes les instructions de ce Manuel de l'utilisateur et du Manuel du moteur avant de procéder à la préparation, l'utilisation et l'entretien de cette pompe.

AMORÇAGE

NE PAS FAIRE DÉMARRER OU FONCTIONNER CET APPAREIL LORSQU'IL N'Y A PAS D'EAU DANS LA POMPE.

La pompe a besoin d'eau pour sa lubrification interne. Un fonctionnement à sec détruit rapidement le joint. Avant de faire démarrer le moteur, remplir l'intérieur de la pompe avec de l'eau à partir du bouchon de remplissage ou de l'orifice d'aspiration.

La pompe s'amorce d'elle-même dans le cas d'une dénivellation allant jusqu'à 7.6 m (25 pieds). Le temps d'amorçage dépend beaucoup de la dénivellation. Pour le temps d'amorçage le plus court possible, placer la pompe le plus près possible de la source d'eau.

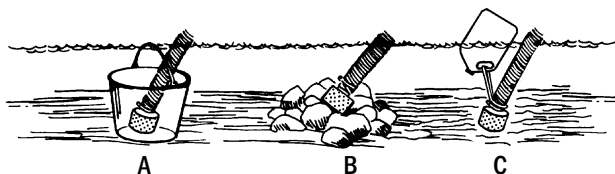
RACCORDEMENT DES TUYAUX

S'assurer que le raccordement du tuyau d'aspiration est étanche à l'air. Une fuite d'air à l'admission empêche l'amorçage de la pompe ou en réduit l'efficacité. Un tuyau de refoulement doit être raccordé à l'orifice de refoulement. Utiliser des tuyaux aussi courts que possible. Ne pas laisser se former de coudes brusques dans les tuyaux et ne pas laisser les véhicules rouler sur les tuyaux. Vérifier l'absence de déchirures du revêtement interne des tuyaux d'aspiration qui pourraient réduire la circulation d'eau. Lorsqu'une conduite rigide est utilisée, raccorder la conduite à la pompe par un tuyau flexible court.

CRÉPINE

La crépine offerte pour cette pompe (43307) est conçue pour s'adapter à un tuyau de 2 pouces de diamètre. Les orifices de la crépine sont conçus pour laisser passer les solides d'une taille appropriée pour la pompe. Ne pas faire fonctionner la pompe si la crépine n'est pas en place ou si la pompe est munie d'une crépine avec des orifices de taille supérieure.

Lorsqu'il est probable que le filtre d'aspiration va être obturé par des débris, préparez un lit de pierres (A) sur lequel vous poserez le filtre; accrochez-le dans un panier ou un sceau (B); ou bien fixez le filtre de façon à ce qu'il ne repose pas sur le fond.



INSTALLATION D'UN COUDE ET D'UN RACCORD FILETÉ

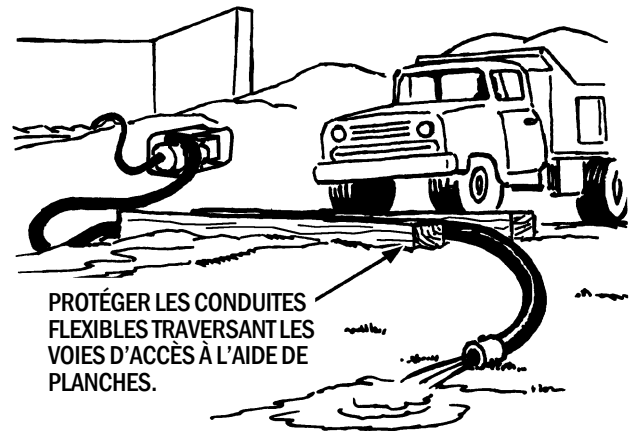
Enrober le filetage mâle de ruban d'étanchéité à base de Téflon®. Ce ruban fournit une étanchéité supérieure à la pâte à joints sans nécessiter un serrage susceptible d'endommager le filetage. Assembler le raccord sur le corps de pompe. Le serrage correct correspond à un serrage à la main suivi d'un tour complet effectué à l'aide d'une clé (ne pas serrer davantage).

DIRECTIVES DE FONCTIONNEMENT

1. Il est préférable de mettre un filtre à la fin de la tuyauterie d'aspiration.
2. Veillez à ce que tous les raccords de boyaux et de tuyaux soient bien étanches. S'il y a une fuite dans la tuyauterie d'aspiration, l'amorçage risque de ne pas se faire et la capacité d'aspiration de la pompe sera réduite.
3. Placez la pompe aussi près du liquide à pomper que possible. Posez la pompe et le moteur sur une base plane. Lorsque le boyau d'aspiration descend le long d'une pente abrupte, ou dans un trou, le poids du tuyau et le liquide qu'il contient peuvent entraîner la pompe dans le liquide. Pour éviter que la pompe « avance », et peut-être même qu'elle soit perdue, attachez-la.
4. En période de gel, il faut toujours purger la pompe du liquide après utilisation. Pour cela, il suffit d'enlever le bouchon de vidange. Par temps de gel, vous devez aussi faire tourner le moteur très lentement avant de le lancer, pour vérifier si la pompe n'est pas bloquée. Si le moteur est gelé, faites-le dégeler lentement (n'utilisez pas de feu pour dégeler la pompe).
5. Pour pomper un maximum de volume :
 - a. Les tuyaux doivent être aussi droits que possible, en évitant les plisures et les coudes aigus.
 - b. La distance d'aspiration verticale doit être aussi courte que possible.
 - c. Utilisez des tuyaux d'aspiration et de vidange ayant un grand diamètre (plus le diamètre est large, moins il y a de friction).
 - d. Utilisez aussi peu de raccords, de coudes et d'adaptateurs que possible.
 - e. Maintenez la pompe et tout équipement connexe en bon état de fonctionnement.

REMARQUE : Tous les raccords du côté de l'aspiration de la pompe doivent être étanches.

6. Si une conduite flexible doit traverser une voie d'accès, protéger la conduite à l'aide de planches. Les surpressions instantanées résultant du passage d'un véhicule sur une conduite non protégée causent un effet de bélier. L'effet de bélier peut fendre le corps de pompe ou endommager la conduite.



7. Le clapet de non-retour en caoutchouc, pour la vidange, obture la pompe afin de retenir le liquide dans le tuyau d'aspiration, ce qui permet à la pompe de recommencer immédiatement à pomper après de courtes périodes d'arrêt.
8. Vérifiez si la pompe est prête à fonctionner en examinant le niveau d'huile dans le carter du moteur avant le démarrage.

ENTRETIEN ET RÉPARATION DU ROTOR ET DU JOINT

1. En utilisant un gros tournevis pour enlever les vis, les rondelles d'arrêt et les écrous, séparer le corps de pompe du carter de roue.
2. Enlever le clapet antiretour en caoutchouc de la « cheminée » de la volute. Enlever la grosse vis autotaraudeuse à la partie supérieure de la volute et les deux plus petites vis autotaraudeuses sur les côtés de la volute.
3. Dévisser et enlever la vis de fixation de la roue ainsi que son petit joint torique. Sortir la roue en la faisant glisser le long de l'arbre et de la clavette.
4. Une moitié du joint d'étanchéité de l'arbre se trouve dans le moyeu de la roue, l'autre moitié se trouve sur l'arbre à l'intérieur de la plaque arrière. Enlever les deux moitiés.
5. Enlever les quatre vis en acier (et leurs petits joints toriques) et séparer le carter de roue du moteur en le tirant. Vérifier que la clavette est bien ajustée dans la rainure de l'arbre. Dans le cas contraire, remplacer la clavette avec une plus large.
6. Pour un pompage efficace, le dégagement entre les pales de roue et la volute doit être d'environ 0,4 mm (.015"). En cas d'usure des pales de roue et de la volute, il peut y avoir trop de dégagement « avant ». Le dégagement peut être réduit en enlevant une ou plusieurs des cales se trouvant entre le carter de roue et le moteur. Après avoir de nouveau bloqué la roue temporairement en place, vérifier le dégagement entre les pales de roue et la volute avec une jauge d'épaisseur à lame. Continuer le remontage de la pompe conformément aux indications ci-dessous.
ATTENTION : Pendant le remontage de la pompe après le réglage du dégagement, vérifier que la volute et la roue ne sont pas en contact. Faire lentement pivoter l'arbre avec la main et écouter pour la présence de bruits de frottement.
7. S'il n'est pas possible d'obtenir un dégagement suffisamment proche de 0,4 mm (.015") entre la roue et la plaque d'usure, installer de nouvelles pièces selon le besoin.
8. Remonter toutes les pièces dans l'ordre inverse de celui de leur démontage. Ne pas oublier de remplacer tous les joints toriques, à moins d'être sûr qu'ils sont en bon état. Les quatre vis (chacune munie d'un joint torique) retenant le carter de la roue sur le moteur doivent être bien serrées à l'aide d'un gros tournevis.
9. Au cours du montage, ne pas serrer les vis retenant la volute plus qu'il n'est nécessaire pour juste retenir la volute. Un serrage excessif peut entailler les joints toriques. Les vis de la roue et les vis extérieures du corps de pompe doivent être suffisamment serrées pour empêcher les fuites d'air.
10. Au cours du montage des raccords et des coudes sur le corps de pompe, enrouler les filetages mâles de ruban d'étanchéité à base de Téflon®. Ce ruban fournit une étanchéité supérieure à la pâte à joints sans nécessiter un serrage susceptible d'endommager les filetages. Le serrage correct correspond à un serrage à la main suivi d'un tour complet effectué à l'aide d'une clé (ne pas serrer davantage).

AVERTISSEMENT : Ne pas utiliser d'huile minérale ni de graisse au cours du remontage, et ne pas pomper de produits pétroliers avec cette pompe.

GARANTIE LIMITÉE

Riverside Pump Manufacturing Inc. garantit à l'acquéreur original (vente au détail) que ce produit Riverside Pump Manufacturing ne présente pas de défauts de matière ou de main d'oeuvre, et s'engage à réparer ou à remplacer (à la discrétion de Riverside Pump Manufacturing) s'il n'importe quel produit défectueux gratuitement au cours de la période de temps **D'un An** de la date de l'achat.

La présente garantie n'est pas cessible ; elle ne couvre pas les dommages ne découlant pas de défauts de matière ou de main d'oeuvre, ni les dommages causés par une utilisation non raisonnable, en particulier tout manquement à assurer l'entretien raisonnable et nécessaire. De plus, la garantie ne s'étend pas aux conditions découlant d'un mauvais usage, d'une modification ou d'un accident. De plus, la présente garantie ne couvre pas les vérifications ou le remplacement de pièces non-défectueuses (sello, placa de desgaste, impulsor) sujettes à l'usure et nécessitant un remplacement dans le cas d'une utilisation raisonnable pendant la période couverte par la garantie, ou susceptibles d'être remplacées à l'occasion d'opérations d'entretien normales.

CONSERVEZ VOTRE REÇU

Une preuve d'achat, sous forme de reçu de vente daté, ticket de caisse, etc. indiquant le numéro de série et le modèle de votre Produit sera exigée avant toute intervention de nos concessionnaires sur le Produit sous garantie. Vous devrez obligatoirement assurer à vos frais la livraison ou l'expédition du produit en cas de réparations sous garantie, ainsi que la reprise ou le retour du Produit après réparation.

LA PRÉSENTE GARANTIE NE S'APPLIQUE PAS AUX ACCESSOIRES PROFESSIONNELS, MOTEURS COUVERTS PAR LA GARANTIE D'UN AUTRE FABRICANT ET NON FABRIQUÉS PAR RIVERSIDE PUMP MANUFACTURING INC. LA PRÉSENTE GARANTIE LIMITÉE TIENT LIEU DE TOUTE AUTRE GARANTIE EXPLICITE. LA DURÉE DE TOUTE GARANTIE IMPLICITE D'APTITUDE À UNE FIN QUELCONQUE, DE QUALITÉ MARCHANDE OU AUTRE, APPLICABLE À CE PRODUIT, SERA LIMITÉE À LA DURÉE DE LA PRÉSENTE GARANTIE LIMITÉE. RIVERSIDE PUMP MANUFACTURING INC. NE SERA RESPONSABLE D'AUCUNS DOMMAGES SPÉCIAUX, ACCESSOIRES OU INDIRECTS.

CERTAINS ÉTATS INTERDISSENT DE LIMITER LA DURÉE D'UNE GARANTIE IMPLICITE ; DE CE FAIT, LA LIMITE CI-DESSUS PEUT NE PAS S'APPLIQUER À VOUS. CERTAINS ÉTATS INTERDISSENT L'EXCLUSION OU LA LIMITE DES DOMMAGES ACCESSOIRES OU INDIRECTS ; DE CE FAIT, LA LIMITE OU L'EXCLUSION CI-DESSUS PEUT NE PAS S'APPLIQUER À VOUS.

COMMENT OBTENIR UNE RÉPARATION SOUS GARANTIE

Une réparation sous garantie peut être obtenue auprès d'un concessionnaire Riverside Pump Manufacturing Inc. agréé pour effectuer des réparations sous garantie. Si vous avez besoin d'une réparation sous garantie, commencez par prendre contact avec le concessionnaire ou le distributeur Riverside Pump Manufacturing chez qui vous avez acheté le produit, ou téléphonez au numéro ci-dessous pour obtenir le nom et l'adresse du concessionnaire le plus proche assurant les réparations sous garantie : 888-696-9005 ou 843-537-5589.

Riverside Pump Manufacturing ne rembourse aucune réparations effectuées sous garantie, sauf aux concessionnaires ou distributeurs Riverside Pump Manufacturing agréés pour effectuer les réparations sous garantie. Vous devrez obligatoirement présenter votre reçu de vente lors d'une demande de réparation sous garantie.

La présente garantie vous donne des droits légaux spécifiques, et vous pouvez également bénéficier d'autres droits variant d'un état à un autre.



AUTOCEBADO BOMBA CENTRIFUGA

MODELO / UT NÚMERO / DESCRIPCIÓN:

AP22B	L1549Z	2" BOMBA AGRÍCOLA, SELLOS - EPDM, BRIGGS & STRATTON 3½HP MOTOR
AP24B	L1684Z	2" BOMBA AGRÍCOLA, SELLOS - BUNA-N, BRIGGS & STRATTON 3½HP MOTOR
AP52B	L1552Z	2" BOMBA AGRÍCOLA, SELLOS - EPDM, BRIGGS & STRATTON 5½HP MOTOR
AP54B	L1685Z	2" BOMBA AGRÍCOLA, SELLOS - BUNA-N, BRIGGS & STRATTON 5½HP MOTOR
AP52K	L1686Z	2" BOMBA AGRÍCOLA, SELLOS - EPDM, KOHLER 5½HP MOTOR
AP54K	L1687Z	2" BOMBA AGRÍCOLA, SELLOS - BUNA-N, KOHLER 5½HP MOTOR
AP52H	L1612Z	2" BOMBA AGRÍCOLA, SELLOS - EPDM, HONDA GX160 MOTOR
AP64Y	L1667Z	2" BOMBA AGRÍCOLA, SELLOS - BUNA-N, YANMAR 4.7HP DIESEL MOTOR, BASTIDOR

INSTRUCCIONES Y LISTA DE PARTES

DEFINICIONES DE LOS SIMBOLOS



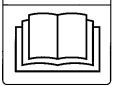
No use la bomba para materiales inflamables. Podría ocurrir un incendio.



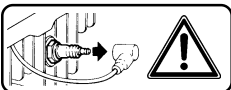
No use la bomba para materiales peligrosos.



Lea el manual del producto.



No fume ni acerque ninguna llama a las proximidades de la gasolina.



Desconecte la bujía antes de efectuar el mantenimiento, ajuste, lubricación y almacenamiento de la bomba.

PRECAUCIONES DE SEGURIDAD

- Esta bomba ha sido diseñada para bombear agua y fertilizantes líquidos, herbicidas y pesticidas generales para granjas. Esta bomba no se debería utilizar para bombear materiales inflamables tales como gasolina. Se pueden producir explosiones, dando origen a lesiones serias. Los materiales corrosivos se deben manejar con cuidado, teniendo en cuenta las instrucciones de manipulación aplicables al material de que se trate.
- Lea todas las instrucciones de este manual antes de poner en marcha la bomba. Asegúrese de comprender completamente el modo de operar la bomba. Una preparación y operación adecuadas y un mantenimiento sencillo producirán un funcionamiento óptimo y seguro para el operador y una larga vida útil de la unidad.
- Asegúrese de que todas las personas que operen la máquina hayan sido debidamente instruidas sobre la forma segura de su uso.
- Asegúrese siempre de que la máquina y todo el equipo asociado estén limpios y reciban el mantenimiento adecuado, de acuerdo con las instrucciones de este manual.
- No opere nunca la unidad cuando la protección no se encuentre en su sitio.
- Respete todas las reglas de seguridad para el manipuleo y almacenamiento del combustible. Coloque el combustible en recipientes para combustibles con orificios de ventilación. No almacene el combustible en un garaje, cobertizo u otros sitios contiguos a áreas habitadas. No llene el tanque del combustible en una zona contigua a áreas habitadas. No llene el tanque mientras el motor esté caliente o en funcionamiento. Antes de encender el motor, limpie con cuidado el combustible que pudiera haberse derramado.
- No fume ni acerque ninguna llama a las proximidades de la gasolina.
- No opere la bomba a presión de cierre durante más de 2 minutos.
- No utilice esta bomba, si han quitado el equipo o a los protectores de seguridad.
- Nunca se debe operar la máquina en una atmósfera explosiva, cerca de materiales combustibles o en lugares en los cuales no haya suficiente ventilación para dejar salir los gases de escape. NO opere la bomba dentro de una habitación o en espacios muy pequeños.
- Asegúrese siempre de que la máquina esté apoyada sobre una base segura y no pueda deslizarse y causar daño a persona alguna. Recuerde que la manguera de succión de la bomba tiende a tirar la bomba hacia el lugar donde se encuentra el líquido durante el bombeo.
- Mantenga a todas las personas alejadas del área cercana a la bomba.
- Cuando proceda a poner en marcha la máquina, asegúrese de que no haya ningún objeto alrededor que pueda ser golpeado por la mano o el brazo del operario o la cuerda para poner en marcha la unidad.
- No toque el área del amortiguador ni el cilindro caliente.
- Apague el motor y desconecte el cable de la bujía antes de reparar cualquier parte de la máquina.
- La exposición prolongada o continua a altos niveles de ruido, tal como aquél producido por la operación de un motor a gasolina, puede causar una deficiencia auditiva permanente u otros efectos posibles. Su vendedor puede proveerle o encargarle protectores para los oídos.
- Use solamente repuestos genuinos del fabricante. El no hacer esto podría causar un ajuste incorrecto y ocasionar lesiones posibles.
- **EVITE EL USO DE ESTE EQUIPO EN ESPACIOS CERRADOS.** Los espacios cerrados con ventilación insuficiente pueden albergar gases peligrosos. El funcionamiento de motores a gasolina en dichos espacios implica riesgo de explosión y/o asfixia.

DESEMBALAJE DE LA BOMBA

Busque cuidadosamente la existencia de daños en el envío. Si se detectan daños de cualquier índole, notifique a su distribuidor o al expedidor. Quite todos los protectores de envío y las pinzas. Si la unidad es conducida por un motor, es muy importante que tenga la libertad de flotar sobre sus resortes.

BOMBAS CONDUCIDAS POR MOTORES DIESEL Y POR MOTORES DE 4 CICLOS

Se incluye un Manual del Motor para el motor específico. Consulte el Manual del Motor para las recomendaciones de llenado con combustible.

Las cajas del cigueñal de los motores diesel y los motores de 4 ciclos se llenan con aceite y fueron drenadas para su envío; deben volver a llenarse antes de operar el motor.

Lea y siga todas las instrucciones que aparecen en este Manual del Propietario y en el Manual del Motor antes de preparar, operar o realizar el mantenimiento de la bomba.

CEBADO

NO PONGA EN MARCHA EL MOTOR NI LO DEJE FUNCIONAR CUANDO NO HAYA AGUA EN LA BOMBA.

La bomba depende del agua para su lubricación interna; el funcionamiento en seco destruirá rápidamente el anillo obturador. Llene la cavidad de la bomba echando agua por el tapón de llenado o por la boquilla de entrada antes de poner en marcha el motor.

La bomba es autocebante a unas alturas de impulsión de hasta 25 pies (7.6 m). El tiempo necesario para el cebado depende en gran medida de la altura de impulsión. Con el fin de que el tiempo de cebado sea lo más reducido posible, coloque la bomba lo más cerca que pueda de la fuente de agua.

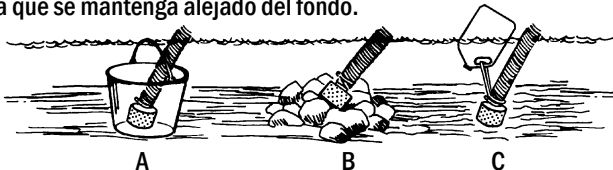
CONEXIONES DE LA MANGUERA

Asegúrese de que la conexión de la manguera de succión sea hermética. Las fugas de aire en la entrada evitan que la bomba se ceba y reducen la eficiencia del cebado. La manguera de descarga se debería utilizar en la salida. Mantenga las mangueras lo más cortas posible; no deje que las mangueras se retuerzan ni que pasen vehículos por encima de ellas; compruebe la succión de las mangueras para ver si el revestimiento interior está roto, evitando de esta manera el flujo adecuado. En caso de que se utilice una tubería, conecte un trozo pequeño de manguera flexible entre la tubería y la bomba.

ALCACHOFA DE ASPIRACION

El filtro de succión ofrecido para esta bomba (43307) ha sido diseñada para adaptarse a una manguera de 2 pulgadas. El tamaño de los orificios de la alcachofa de aspiración permite el paso de los elementos sólidos que pueden ser aceptados por la unidad de conformidad con las especificaciones de su diseño. No opere la bomba sin una alcachofa de aspiración ni utilice una alcachofa de aspiración que tenga unos orificios más grandes.

Cuando haya posibilidad de que la malla filtrante de aspiración se tape con material extraño: construir un lecho de piedras (A) para la malla de filtro; colocar el filtro en un cesto o balde (B); o atar la línea de aspiración para que se mantenga alejado del fondo.



INSTALACION DEL CODO Y EL ACOPLADOR

Envuelva las roscas macho con cinta obturadora de Teflon®. La hermeticidad que proporciona esta cinta es mejor que la del compuesto para juntas de tubos, sin que sea necesario que las conexiones estén excesivamente apretadas y se dañen las roscas. Monte el acoplador en el cuerpo de la bomba. La forma adecuada de hacerlo es apretarlo con la mano y darle una vuelta adicional haciendo uso de una llave de tuerca para tubos (no más apretado).

INSTRUCCIONES DE USO

1. Es conveniente usar una malla de filtro en el extremo de la línea de aspiración.
2. Verificar la hermeticidad de todas las conexiones de mangueras y tuberías. Una entrada de aire en la línea de aspiración puede dificultar e incluso impedir el cebado, reduciendo consecuentemente la presión de bombeo.
3. Instalar la bomba tan cerca como sea posible del líquido a bombear, y montar la unidad motor-bomba sobre una superficie nivelada. Cuando la manguera de aspiración quede colgando hacia abajo en una pendiente o un pozo, el peso de la misma y del líquido en ella contenida pueden arrastrar la bomba. Para evitar esto, es conveniente en estos casos fijar la bomba a la superficie de apoyo.
4. En climas gélidos, drenar siempre el líquido de la bomba después de usarla. Para ello, simplemente abrir el tapón de drenaje. En climas gélidos, dar primero «toques» cortos de arranque para verificar que la bomba gire libremente, y después arrancar normalmente el motor. Si la bomba estuviera congelada, descongelarla lentamente (no usar fuego para descongelar la bomba).
5. Para obtener el caudal máximo de bombeo:
 - a) Mantener la línea tan recta como se posible, evitando estrangulamientos y curvas cerradas.
 - b) Acortar al mínimo los tramos ascendentes de bombeo.
 - c) Usar líneas de aspiración y descarga del mayor diámetro posible (a mayor diámetro, menor fricción).
 - d) Usar la mínima cantidad posible de conectores, codos y adaptadores.
 - e) Mantener la bomba y equipos a ella conectados, en óptimas condiciones de uso.

NOTA: Todas las conexiones en la línea de aspiración deben ser herméticas.

6. En caso de que se deba utilizar una manguera flexible que atraviese una carretera, se deberá proteger con tablones de madera. Las presiones de cierre instantáneo, aplicadas cuando un vehículo pasa por encima de una manguera que no se encuentra protegida, provocan la afluencia súbita de agua. Esta afluencia súbita de agua puede separar el cuerpo de la bomba o dañar la manguera.



PROTEJA LA MANGUERA FLEXIBLE CON TABLONES DE MADERA QUE ATRAVIESEN LA CARRETERA

7. La válvula de retención en la línea de descarga de la bomba contiene el retorno de líquido, conservando llena la línea de aspiración. Esto permite volver a bombear inmediatamente después de cortos períodos de parada de la bomba.
8. Verificar el nivel de aceite en el cárter antes de poner el motor en marcha y la unidad en servicio.

SERVICIO DEL IMPULSOR Y DEL SELLO

1. Utilizando un destornillador grande para sacar los tornillos, las arandelas y las tuercas de seguridad, extraiga el cuerpo de la bomba del armazón del impulsor.
2. Saque la válvula de retención de caucho de la "chimenea" de la voluta. Retire los tornillos de auto-roscado que se encuentran a los lados de la voluta.
3. Desatornille el tornillo del impulsor y sáquelo junto con el anillo tórico pequeño. Saque el impulsor del eje y de la cuña de ajuste.
4. Una de las mitades del sello del eje se encuentra en la parte central del impulsor y la otra mitad se encuentra en el eje existente dentro de la placa posterior. Saque ambas mitades.
5. Retire los cuatro tornillos de acero (y los anillos tóricos pequeños) y saque el armazón del impulsor del motor. Asegúrese de que la cuña de ajuste se adapte a la ranura del eje y quede bien ajustada. Si no es así, reemplace la cuña de ajuste por una más ancha.
6. La separación que debe haber entre las paletas del impulsor y la voluta para que el bombeo sea adecuado es .015" aproximadamente. El hecho de que las paletas del impulsor y la voluta estén desgastadas puede dar origen a que la separación "frontal" sea excesiva. Usted puede reducir esta separación sacando una de las cuñas existentes entre el armazón del impulsor y el motor, o varias. Una vez que haya vuelto a fijar el impulsor en su sitio de forma provisional, compruebe la separación paleta-voluta existente en el impulsor con un calibrador de separaciones. Continúe con el ensamblaje tal y como se indica a continuación.

PRECAUCION: Cuando vuelva a ensamblar la bomba después de haber ajustado la separación, deberá asegurarse de que no haya ningún tipo de contacto entre la voluta y el impulsor. Gire el eje lentamente con la mano y preste atención para ver si escucha ruidos de rozaduras.

7. Si no puede conseguir una separación entre el impulsor y la placa de desgaste que sea razonablemente próxima a .015", deberá instalar las piezas nuevas que resulten necesarias.
8. Vuelva a colocar todas las piezas en el orden inverso al seguido para desmontar la unidad. Asegúrese de cambiar todos los sellos de los anillos tóricos a menos que esté completamente seguro de que están en buenas condiciones. Los cuatro tornillos (con un anillo tórico en cada uno de ellos) que sujetan el armazón del impulsor al motor deberían apretarse firmemente con un destornillador grande.
9. Los tornillos que mantienen la voluta en posición se deben apretar lo suficiente como para fijar la voluta durante el ensamblaje. Apretarlos excesivamente puede provocar el corte de los anillos tóricos. Los tornillos del impulsor y del cuerpo exterior se deberían apretar moderadamente para asegurarse de que no existan fugas de aire.
10. Cuando proceda a montar acopladores, adaptadores y codos en el cuerpo de la bomba, envuelva las roscas macho con cinta obturadora de Teflon®. La hermeticidad que proporciona esta cinta es mejor que la del compuesto para juntas de tubos, sin que sea necesario que las conexiones estén excesivamente apretadas y se dañen las roscas. La forma adecuada de hacerlo es apretarlas con la mano y darles una vuelta adicional haciendo uso de una llave de tuerca de tubo (Por favor no las apriete más).

ADVERTENCIA: No utilice ningún tipo de aceite o grasa de petróleo durante el ensamblaje y no bombee productos de petróleo con esta bomba.

GARANTIA LIMITADA

La Riverside Pump Manufacturing Inc. le garantiza al comprador original al por menor que este producto Riverside Pump Manufacturing Inc. se encuentra libre de defectos de material y mano de obra, y acepta reparar o reemplazar, a discreción de Riverside Pump Manufacturing Inc. cualquier producto defectuoso gratuitamente dentro del período de **Un Año** a partir de la fecha de la compra. La presente garantía no es transferible y no cubre los daños derivados de defectos que no sean de material o mano de obra, o daños causados por utilización no razonable, incluido el hecho de que no se haya proporcionado el mantenimiento razonable y necesario. Las obligaciones de la garantía no se aplican a las condiciones que resulten del mal uso o modificación, o accidente. Además, la presente garantía no cubre o reemplazo de piezas no defectuosas (tales como bague d' etancheite, enlever, roue) que se puedan desgastar y que necesiten ser reemplazadas debido al uso razonable dentro del período de garantía, o que pueda ser necesario reemplazar en conexión con las operaciones normales de mantenimiento.

GUARDE SU COMPROBANTE DE VENTA

Se requerirá el comprobante de compra en la forma de recibo de venta con la fecha, comprobante de la caja registradora, etc. en el que se indique el número de serie y el modelo de su Producto. Para que se efectúen las reparaciones relacionadas con la garantías, usted habrá de encargarse de la entrega o del envío del Producto, debiendo hacer frente a los gastos que se deriven de ello. Usted habrá de encargarse igualmente de recoger o devolver el Producto una vez que se hayan efectuado las reparaciones.

ESTA GARANTÍA NO SE APLICA A NINGÚN ACCESORIO, MOTOR QUE SE ENCUENTRE GARANTIZADO DE FORMA INDEPENDIENTE POR OTRO FABRICANTE O QUE NO ESTÉ FABRICADO POR RIVERSIDE PUMP MANUFACTURING INC.

ESTA GARANTIA LIMITADA SUSTITUYE A CUALESQUIERA OTRAS GARANTIAS EXPRESAS. CUALQUIER GARANTIA IMPLICITA SOBRE LA IDONEIDAD DEL PRODUCTO PARA FINES PARTICULARES, MERCANTILES O DE OTRO TIPO, APLICABLE A ESTE PRODUCTO, TENDRA UNA DURACION LIMITADA A LA DURACION DE LA GARANTIA LIMITADA. RIVERSIDE PUMP MANUFACTURING INC. NO SERA RESPONSABLE DE NINGUN TIPO DE DAÑOS ESPECIALES, INCIDENTALES O CONSECUENCIALES.

ALGUNOS ESTADOS NO PERMITEN LIMITACIONES EN CUANTO A LA DURACION DE LA GARANTIA IMPLICITA, DE MANERA QUE ES POSIBLE QUE A USTED NO SE LE APLIQUE LA LIMITACION INDICADA MAS ARRIBA. ALGUNOS ESTADOS NO PERMITEN LA EXCLUSION O LIMITACION DE DAÑOS INCIDENTALES O CONSECUENCIALES, DE MANERA QUE POSIBLEMENTE A USTED NO SE LE APLIQUE LA LIMITACION INDICADA MAS ARRIBA.

COMO OBTENER EL SERVICIO DERIVADO DE LA GARANTIA

El servicio derivado de la garantía puede ser obtenido en cualquier distribuidor Riverside Pump Manufacturing Inc. autorizado para efectuar las reparaciones que resulten necesarias. En caso de que usted necesite alguna operación de servicio derivada de la garantía, verifique primero cuál es el distribuidor de Riverside Pump Manufacturing Inc. al que le compró el Producto, o llame al siguiente número de teléfono donde se le indicará cuál es el distribuidor más próximo a usted que presta servicio de garantía: 888-696-9005 o 843-537-5589.

Riverside Pump Manufacturing Inc. no efectuará reembolsos por las operaciones de servicio derivadas de la garantía, excepto cuando sean efectuadas por distribuidores Riverside Pump Manufacturing que estén autorizados para llevar a cabo las reparaciones relacionadas con la mencionada garantía. Usted deberá presentar el justificante de venta cuando efectúe una reclamación relacionada con las operaciones de servicio derivadas de la garantía.

Esta garantía le proporciona derechos legales específicos; además, usted puede tener otros derechos que varían en función de los diferentes estados.

SELBSTANSAUGENDE LANDWIRTSCHAFTSPUMPE

MODELL / UT NUMMER / BESCHREIBUNG:

AP22B	L1549Z	2" LANDWIRTSCHAFTSPUMPE, DICHTUNGEN - EPDM, BRIGGS & STRATTON 3½HP MOTOR
AP24B	L1684Z	2" LANDWIRTSCHAFTSPUMPE, DICHTUNGEN - BUNA-N, BRIGGS & STRATTON 3½HP MOTOR
AP52B	L1552Z	2" LANDWIRTSCHAFTSPUMPE, DICHTUNGEN - EPDM, BRIGGS & STRATTON 5½HP MOTOR
AP54B	L1685Z	2" LANDWIRTSCHAFTSPUMPE, DICHTUNGEN - BUNA-N, BRIGGS & STRATTON 5½HP MOTOR
AP52K	L1686Z	2" LANDWIRTSCHAFTSPUMPE, DICHTUNGEN - EPDM, KOHLER 5½HP MOTOR
AP54K	L1687Z	2" LANDWIRTSCHAFTSPUMPE, DICHTUNGEN - BUNA-N, KOHLER 5½HP MOTOR
AP52H	L1612Z	2" LANDWIRTSCHAFTSPUMPE, DICHTUNGEN - EPDM, HONDA GX160 MOTOR
AP64Y	L1667Z	2" LANDWIRTSCHAFTSPUMPE, DICHTUNGEN - BUNA-N, YANMAR 4.7HP DIESEL MOTOR, RAHMEN

ANLEITUNG UND TEILELISTE

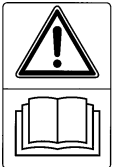
ERKLÄRUNG DER SYMBOLE



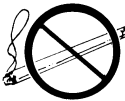
Keine brennbaren Materialien pumpen. Es kann zu Bränden kommen.



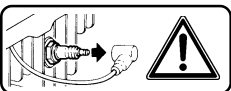
Keine gefährlichen Materialien pumpen.



Vor Gebrauch Produktliteratur durchlesen.



Nicht rauchen oder Flammen in die Nähe von Benzin bringen.



Zündkerze vor der Wartung, Einstellung, Schmierung und Lagerung trennen.

SICHERHEITSMASSNAHMEN

- Diese Pumpe ist nur für das pumpen von Wasser gedacht. Sie sollte unter keinen Umständen für das pumpen gefährlicher Materialien verwendet werden, beispielsweise brennbarer Materialien wie Benzin.
- Lesen Sie alle Anleitungen in diesem Handbuch vor der Inbetriebnahme durch. Stellen Sie sicher, dass Sie vollkommen verstanden haben, wie die Pumpe funktioniert. Ordnungsgemäße Vorbereitung, Betrieb und einfache Wartung verbessern die Sicherheit des Bedieners, die Pumpenleistung und die lange Lebensdauer des Geräts.
- Stellen Sie sicher, dass jede Person, die die Maschine bedient, ordnungsgemäß in Bezug auf den sicheren Betrieb ausgebildet wurde.
- Sorgen Sie dafür, dass die Maschine und die damit verbundenen Geräte gemäß der Anleitung in diesem Handbuch sauber, ordnungsgemäß repariert und gewartet sind.

- Befolgen Sie alle Sicherheitsvorschriften für den sicheren Transport und die sichere Aufbewahrung von Kraftstoffen. Transportieren Sie Kraftstoff in zugelassenen belüfteten Kraftstoffkanistern. Lagern Sie Kraftstoffvorräte nicht in Garagen, Schuppen oder anderen Bereichen, die an Wohnräume angrenzen. Füllen Sie den Kraftstofftank nicht in einem Bereich, der an Wohnräume angrenzt. Füllen Sie den Motor nicht, während er läuft oder heiß ist. Beseitigen Sie verschütteten Kraftstoff sorgfältig, bevor Sie den Motor starten.
- Rauchen Sie nicht und bringen Sie keine Flammen in die Nähe von Benzin.
- Betreiben Sie die Pumpe nicht länger als 2 Minuten bei Abschaltdruck.
- Lassen Sie nicht diese Maschine laufen, wenn irgendeine Sicherheit Ausrüstung fehlt.
- Betreiben Sie die Maschine nicht in einer explosionsgefährdeten Atmosphäre, in der Nähe von brennbaren Materialien oder an Orten, die nicht ausreichend belüftet sind, um die Abgase abzuleiten. Betreiben Sie die Pumpe NICHT in Innenräumen oder in Kriechräumen.
- Achten Sie immer darauf, dass die Maschine sicher steht und nicht kippen und jemanden verletzen kann. Denken Sie daran, dass der Saugschlauch der Pumpe während des Pumpens dazu neigt, die Pumpe in Richtung Flüssigkeit zu ziehen.
- Halten Sie den unmittelbaren Bereich frei von Zuschauern.
- Achten Sie beim Ziehen des Anlassers darauf, dass nichts im Weg steht, das von der Hand oder dem Arm des Bedieners oder durch das Starterseil getroffen werden könnte.
- Berühren Sie den heißen Zylinder und den Schalldämpferbereich nicht.
- Schalten Sie den Motor aus und trennen Sie das Zündkerzenkabel, bevor Sie an einem Teil der Maschine arbeiten.
- Lange oder ständige Bloßstellung eines hohen Geräuschpegels, beispielsweise beim Betrieb eines Motors, kann zu ständiger Hörbehinderung oder anderen möglichen Folgen führen. Einen Gehörschutzhörer erhalten Sie bei Ihrem Händler oder können Sie über ihn bestellen.
- Verwenden Sie nur Originalersatzteile des Produktherstellers. Nichtbefolgen kann schlechten Sitz und mögliche Verletzungen verursachen.
- **PASSEN SIE AUF BEI VERWENDUNG DIESER GERÄTE IN ENGE RAUMEN.** Enge Räume ohne ausreichende Frischluftversorgung können gefährliche Gase enthalten. Das Betreiben von Motoren in solchen Umgebungen kann zu tödlichen Explosionen und/oder Ersticken führen.

AUSPACKEN DER PUMPE

Achten Sie sorgfältig auf Versandschäden. Wenn Sie irgendeinen Schaden bemerken, benachrichtigen Sie Ihren Händler oder den Spediteur. Entfernen Sie alle Versandblöcke und Klammern. Wenn das Gerät einen Motorantrieb hat, ist es sehr wichtig, dass dieser frei auf den Federn schwebt.

PUMPEN MIT DIESELMOTOREN UND VIERTAKTMOTOREN

Eine Betriebsanleitung für den jeweiligen Motor liegt bei. Empfehlungen bezüglich des Kraftstoffs sind in der Betriebsanleitung für den Motor zu finden.

Dieselmotoren und Viertaktmotoren haben gefüllte Kurbelgehäuse, die für den Versand entleert wurden und vor der Inbetriebnahme des Motors wieder gefüllt werden müssen.

Vor der Vorbereitung, dem Betrieb und der Wartung der Pumpe sind alle Anweisungen dieser Betriebsanleitung und der des Motors durchzulesen und zu befolgen.

VORFÜLLEN

Die Pumpe ist selbstansaugend bei Förderhöhen von 7,6 m. Die für das Vorfüllen erforderliche Zeit wird durch die Förderhöhe erheblich beeinflusst. Stellen Sie für eine möglichst kurze Vorfüllzeit die Pumpe so nahe zur Wasserquelle wie möglich.

STARTEN ODER BETREIBEN SIE DIESES GERÄT NUR, WENN SICH WASSER IN DER PUMPE BEFINDET.

Die Pumpe benötigt Wasser für die interne Schmierung; Trockenlaufen zerstört in Kürze die Dichtung. Füllen Sie den Pumpenhohlraum am Einfüllstopfen oder Einführungsstutzen mit Wasser, bevor Sie den Motor starten.

SCHLAUCHANSCHLÜSSE

Stellen Sie sicher, dass der Saugschlauchanschluss luftdicht ist. Luftdurchlässigkeit am Einlass verhindert, dass die Pumpe vorgefüllt wird und verringert die Pumpenleistung.

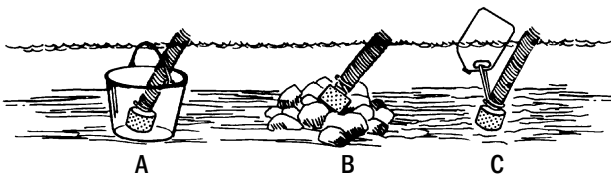
Halten Sie die Schläuche so kurz wie möglich. Achten Sie darauf, dass die Schläuche nicht geknickt werden und dass keine Fahrzeuge darüber fahren. Überprüfen Sie die Saugschläuche auf beschädigte Innenauskleidung, die den Durchfluss behindern kann.

Wenn ein Rohr verwendet wird, bringen Sie ein kurzes Stück Schlauch zwischen dem Rohr und der Pumpe an.

SIEB

Das Sieb angeboten für diese Pumpe ist für einen 2-Zoll-Schlauch gedacht. Die Sieböffnungen sind so groß, dass sie Feststoffe hindurchlassen, für die das Gerät ausgelegt ist. Betreiben Sie die Pumpe nicht ohne Sieb und verwenden Sie kein Sieb mit größeren Löchern.

Wenn das Saugsieb wegen Fremdkörpern verstopft, verbinden Sie es mit einem Korb oder Eimer (A), bereiten Sie ein Steinbett vor, auf das Sie das Sieb stellen (B), oder verbinden Sie das Sieb mit einem Schwimmer, so dass es vom Boden entfernt bleibt (C).



WINKELSTÜCKE UND NIPPEL ANBRINGEN

Wickeln Sie die Außengewinde mit Teflon® Dichtung Klebeband auf. Dieses Klebeband gibt eine bessere Dichtung als Rohrverbindermittel, ohne die Anschlüsse hinsichtlich der Beschädigung die Gewinde so fest zu bilden. Bauen Sie Nippel in den Pumpenkörper zusammen. Die korrekte Enge ist Hand fest plus eine volle Umdrehung mit einem Rohrschlüssel (nicht fester).

BETRIEBSANLEITUNG

1. Verwenden Sie ein Sieb am Ende der Saugleitung.
2. Stellen Sie sicher, dass alle Schlauch- und Rohranschlüsse luftdicht sind. Eine Luftdurchlässigkeit in der Saugleitung kann das Vorfüllen verhindern und verringert die Hubleistung der Pumpe.
3. Stellen Sie die Pumpe so nah wie möglich zur zu pumpenden Flüssigkeit. Stellen Sie die Pumpe und den Motor auf eine ebene Grundfläche. Wenn der Saugschlauch eine steile Böschung oder ein Loch hinunter hängt, kann das Gewicht des Schlauchs und der darin befindlichen Flüssigkeit die Pumpe in die Flüssigkeit ziehen. Um ein "Wandern" und den möglichen Verlust der Pumpe zu verhindern, sollten Sie sie befestigen.
4. Entleeren Sie bei Temperaturen unter dem Gefrierpunkt nach Gebrauch immer die Flüssigkeit aus der Pumpe, indem Sie die Ablassschraube entfernen. Lassen Sie bei Temperaturen unter dem Gefrierpunkt den Motor langsam an, so dass Sie merken, ob die Pumpe frei laufen kann, bevor Sie den Motor starten. Wenn die Pumpe eingefroren ist, lassen Sie sie langsam aufwärmen. Verwenden Sie zum Aufwärmen der Pumpe kein Feuer.
5. Sie erreichen das maximale Volumen, indem Sie:
 - a. die Schläuche so gerade wie möglich verlegen und ein Abknicken und scharfe Biegungen vermeiden.
 - b. der vertikalen Saugförderhöhe (Abstand vom zu pumpenden Wasser zum Sauganschluss der Pumpe) so kurz wie möglich machen.
 - c. Saug- und Druckleitungen mit dem richtigen Durchmesser verwenden (größere Durchmesser sorgen für weniger Reibung).
 - d. so wenige Anschlüsse, Bögen und Adapter wie möglich verwenden.
 - e. die Pumpe und die damit verbundenen Geräte in gutem Betriebszustand halten.

ANMERKUNG: Alle Anschlüsse am Ansaugenden der Pumpe müssen luftdicht sein. Der Saugschlauch oder das Saugrohr dürfen nicht zusammenfaltbar sein.

6. Wenn der flexible Schlauch über eine Straße verlegt werden muss, schützen Sie ihn durch Planken. Plötzlicher Abschaltedruck, wenn ein Fahrzeug über eine ungeschützte Leitung fährt, kann Schäden an der Pumpe und am Schlauch verursachen.



7. Das Sperrventil aus Gummi im Pumpenabfluss dichtet die Pumpe so ab, dass Flüssigkeit in der Saugleitung bleibt und die Pumpe nach kurzem Abschalten sofort wieder mit dem Pumpen beginnen kann.
8. Überprüfen Sie vor dem Starten den Ölstand im Kurbelgehäuse des Motors.

WARTUNG DES PUMPENRADS UND DER DICHTUNG

1. Die Schraubenbolzen und Sicherungsringe entfernen, und das Pumpengehäuse abheben.
2. Entfernen Sie das Gummirückschlagventil von der Volute. Entfernen Sie die Schraubenbolzen, die die Volute hält.
3. Die Schraube und O-Ring entfernen der Pumpenrad. Das Pumpenrad entfernen.
4. Ersetzen Sie ausgetauschte Dichtungen durch neue.
5. Hebeln Sie zum Austauschen einer beschädigten Dichtung die Baugruppe mit einem Schraubendreher aus dem Pumpenradgehäuse und werfen Sie sie weg. **REINIGEN SIE DIE VERTIEFUNG SORGFÄLTIG.** Ölen Sie beim Einbauen einer neuen Dichtung die Vertiefung im Pumpenradgehäuse leicht und schieben Sie die Baugruppe in ihre Position.
6. Der Abstand zwischen dem Pumpenrad und der Spirale muss .015" für das gute Pumpen ungefähr sein. Justieren Sie den Abstand, indem Sie herausnehmen oder Meßplättchen zwischen dem Pumpenrad und der Pumpenradgehäuse.

ACHTUNG: Beim Zusammenbau der Pumpe darauf achten, dass das Pumpenrad nicht mit dem Diffusor in Berührung kommt. Die Welle langsam durch Ziehen am Startgriff drehen. Wenn zu hören ist, dass das Pumpenrad am Diffusor schleift, die Unterlegbleche entfernen.

7. Wenn das Pumpenrad sehr abgenutzt ist, muss es ausgetauscht werden.
8. Bauen Sie die Pumpe wieder zusammen. Beim endgültigen Zusammenbau alle Dichtungen und O-Ringe auswechseln, falls nicht absolut sichersteht, dass sie in gutem Zustand sind. Seien Sie sicher, dass die Schrauben durch das Pumpenradgehäuse sicher sind.
9. Ziehen Sie nicht die Schrauben zu fest an, welche die Spirale und den Pumpengehäuse halten. Sie sollten fest genug eine Leckstelle der Luft verhindern sollen.
10. Wenn Sie die Befestigungen anbringen, wickeln Sie die Außengewinde mit Teflon® Dichtung Klebeband auf. Dieses gibt eine bessere Dichtung als Rohrverbindungabdichtmittel.

ACHTUNG: Benutzen Sie kein Schmiermittel, das vom Erdöl gebildet wird, wenn man diese Pumpe instandhält. Pumpen Sie nicht Erdölprodukte mit dieser Pumpe.

EINGESCHRÄNKTE GARANTIE

Riverside Pump Manufacturing Inc. garantiert gegenüber dem ursprünglichen Käufer, dass dieses Produkt von Riverside Pump Manufacturing Inc. frei von Material- und Fertigungsfehlern ist, und erklärt sich damit einverstanden, nach eigenem Ermessen von Riverside Pump Manufacturing Inc., defekte Produkte innerhalb eines Zeitraums von **einem Jahr** ab Kaufdatum kostenlos zu reparieren oder zu ersetzen.

Diese Garantie ist nicht übertragbar und deckt keine Schäden ab, die aus anderen Defekten als Material- und Fertigungsfehlern resultieren, oder Schäden, die durch unsachgemäßen Gebrauch verursacht werden, einschließlich nicht angemessener und Nichtdurchführung notwendiger Wartung. Außerdem gilt die Garantieverpflichtung nicht für Zustände, die sich aus missbräuchlicher Verwendung, Änderung oder Unfall ergeben. Außerdem deckt diese Garantie nicht den Austausch nicht fehlerhafter Teile (wie Dichtungen, Verschleißplatten und Pumpenräder) ab, die dem Verschleiß unterliegen und bei angemessenem Gebrauch innerhalb des Garantiezeitraums ausgetauscht werden müssen, oder die in Verbindung mit der normalen Wartung ausgetauscht werden müssen.

BEWAHREN SIE IHREN KAUFBELEG AUF

Ein Kaufnachweis in Form des datierten Kaufbelegs, Kassenbelegs, usw., der die Seriennummer und das Modell Ihres Produkts angibt, ist erforderlich. Bei Garantiereparaturen müssen Sie auf eigene Kosten für die Anlieferung oder den Versand des Produkts und für die Abholung oder Rücksendung des Produkts nach erfolgter Reparatur sorgen.

DIESE GARANTIE GILT NICHT FÜR HANDELSZUBEHÖR ODER DEN MOTOR, FÜR DIE EINE EIGENE GARANTIE VON EINEM ANDEREN HERSTELLER GILT UND DIE NICHT VON RIVERSIDE PUMP MANUFACTURING INC. HERGESTELLT WERDEN.

DIESE EINGESCHRÄNKTE GARANTIE ERSETZT ALLE ANDEREN AUSDRÜCKLICHEN GARANTIE. ALLE STILLSCHWEIGENDEN GARANTIE DER EIGNUNG FÜR EINEN BESTIMMTEN ZWECK, DIE MARKTGÄNGIGKEIT ODER SONSTIGES, DIE FÜR DIESES PRODUKT GELTEN, SIND IN DER DAUER AUF DIE DAUER DIESER EINGESCHRÄNKTEN GARANTIE BESCHRÄNKT. RIVERSIDE PUMP MANUFACTURING ÜBERNIMMT KEINE HAFTUNG FÜR SONDER-, NEBEN- ODER FOLGESCHÄDEN.

EINIGE LÄNDER ERLAUBEN EINSCHRÄNKUNGEN DER DAUER STILLSCHWEIGENDER GARANTIE NICHT, DESHALB KANN ES SEIN, DASS OBIGE EINSCHRÄNKUNG FÜR SIE NICHT GILT. EINIGE LÄNDER ERLAUBEN DEN AUSSCHLUSS ODER DIE EINSCHRÄNKUNG VON NEBEN- ODER FOLGESCHÄDEN NICHT, DESHALB KANN ES SEIN, DASS DIE OBIGE EINSCHRÄNKUNG ODER DER OBIGE AUSSCHLUSS FÜR SIE NICHT GILT.

GARANTIEREPARATUR

Garantiereparaturen erhalten Sie von einem Riverside Pump Manufacturing-Händler oder Generalvertreter, der für die Durchführung von Garantiereparaturen autorisiert ist. Wenn Sie eine Garantiereparatur benötigen, fragen Sie zuerst beim Riverside Pump Manufacturing-Händler oder Generalvertreter nach, bei dem Sie das Produkt gekauft haben, oder rufen Sie unter der folgenden Nummer an, um den Namen und den Ort des nächstgelegenen Händlers zu erfahren, der Garantiereparaturen bietet: 888.696.9005 (USA) oder 1.843.537.5589.

Riverside Pump Manufacturing Inc. gewährt keine Rückerstattungen für Garantiereparaturen, außer gegenüber Riverside Pump Manufacturing-Händlern oder Generalvertretern, die für die Durchführung von Garantiereparaturen autorisiert sind. Sie müssen Ihren Kaufbeleg vorlegen, wenn Sie eine Garantiereparatur beanspruchen möchten.

Diese Garantie räumt Ihnen spezifische Rechte ein. Sie können darüber hinaus weitere Rechte haben, die von Land zu Land unterschiedlich sein können.

Ag Series Pumps - Chemical Compatibility Chart

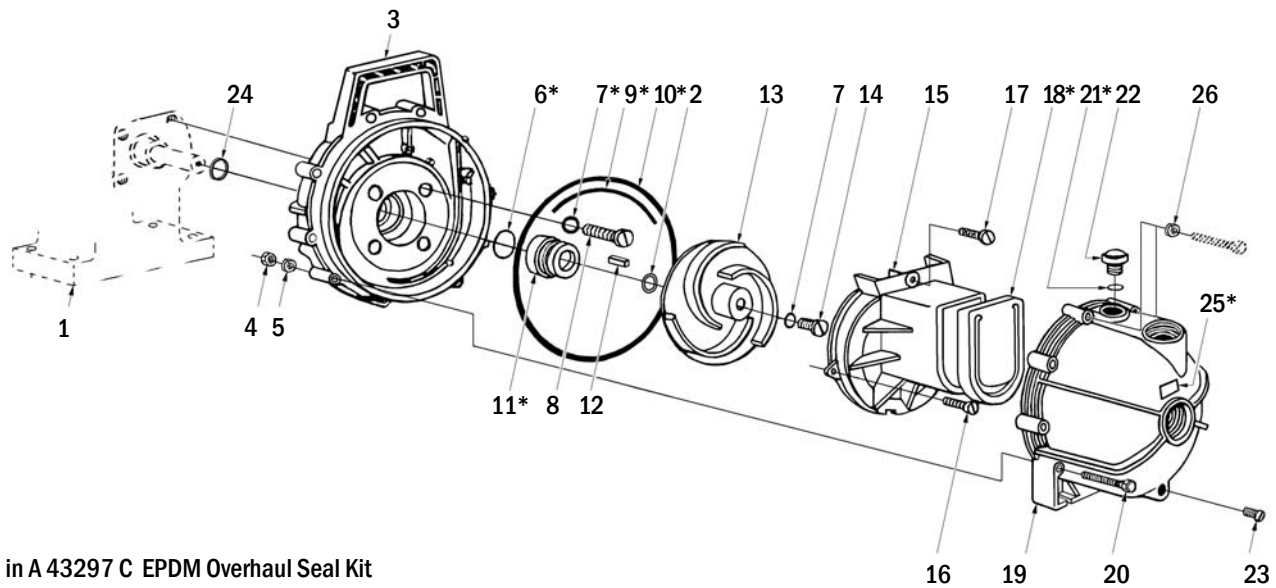
Maximum pumping temperature is 125 °F (51.7 °C).

Check specific gravity of solution or mixture to avoid overloading the pump.

CAUTION: Do Not use any Riverside Pumps products to pump flammable materials.

Chemical or Substance	Limits of Use	Buna-N	EPDM
Acetic Acid (Vinegar)	5% Solution or mixture of pumpage		X
Aluminum Hydroxide	120 °F (48.9 °C) Temperature limit	X	X
Aluminum Sulfate	10% Solution or mixture of pumpage	X	X
Ammonia	20% Solution or mixture of pumpage; 70 °F (21.1 °C) temperature limit	X	X
Ammonium Persulfate			X
Ammonium Phosphate		X	X
Ammonium Sulfate	80 °F (26.7 °C) Temperature limit	X	X
Beer		X	X
Calcium Carbonate	120 °F (48.9 °C) Temperature limit	X	X
Calcium Chloride	20% Solution or mixture of pumpage; 80 °F (26.7 °C) temperature limit	X	X
Carbonic Acid	120 °F (48.9 °C) Temperature limit	X	
Citric Acid	70 °F (21.1 °C) Temperature limit		X
Fatty Acids	120 °F (48.9 °C) Temperature limit		X
Ferric Nitrate	80 °F (26.7 °C) Temperature limit		X
Formaldehyde	20% Solution or mixture of pumpage	X	X
Mineral Oils	70 °F (21.1 °C) Temperature limit	X	
Nickel Chloride	10% Solution or mixture of pumpage; 80 °F (26.7 °C) temperature limit		X
Nickel Sulfate	10% Solution or mixture of pumpage; 80 °F (26.7 °C) temperature limit	X	
Potassium Bicarbonate	20% Solution or mixture of pumpage	X	
Potassium Carbonate	10% Solution or mixture of pumpage	X	X
Potassium Chlorate	5% Solution or mixture of pumpage	X	X
Potassium Chloride	5% Solution or mixture of pumpage	X	X
Potassium Nitrate	5% Solution or mixture of pumpage	X	X
Potassium Sulfate	10% Solution or mixture of pumpage	X	X
Soaps	120 °F (48.9 °C) Temperature limit	X	
Sodium Bicarbonate	10% Solution or mixture of pumpage	X	X
Sodium Bisulfate	10% Solution or mixture of pumpage	X	X
Sodium Bisulfite		X	X
Sodium Carbonate	10% Solution or mixture of pumpage	X	X
Sodium Chloride	20% Solution or mixture of pumpage	X	X
Sodium Phosphate	10% Solution or mixture of pumpage	X	X
Sodium Silicate	10% Solution or mixture of pumpage	X	X
Sodium Sulfate	10% Solution or mixture of pumpage	X	X
Sodium Sulfide	10% Solution or mixture of pumpage	X	X
Solvasol		X	X
Stearic Acid	70 °F (21.1 °C) Temperature limit		X
Stoddard Solvent	70 °F (21.1 °C) Temperature limit	X	X
Tartaric Acid		X	X
Zinic Sulfate	20% Solution or mixture of pumpage	X	X

**PARTS LIST / LISTE DE PIÈCES DE RECHANGE / LISTA DE PARTES / TEILELISTE:
AP22B • AP52B • AP52K • AP52H**



* Included in A 43297 C EPDM Overhaul Seal Kit

Note: See Page 31 for Ag Series Chemical Compatibility Chart

Pump Wet-End Kit: **AP22WE** (UT-L1616Z)
Includes all pump parts, EPDM seals, no engine

REF.	PART NO.	DESCRIPTION	QTY.
1	04867 A	Engine, B&S Standard 3½ hp (AP22B)	1
	15017	Engine, B&S Powerbuilt OHV 5½ hp (AP52B)	1
	15228	Engine, Kohler OHV 5½ hp (AP52K)	1
	08171	Engine, Honda GX160 5½ hp (AP52H)	1
2	42382	Shim, .010"	AR
	42383	Shim, .015"	AR
3	43270 B	Impeller Housing	1
4	81172 B	Hex Nut, 1/4-20	10
5	83009	Lock Washer, 1/4" (see also #26)	10
*6	43752	O-Ring (EPDM)	1
*7	43313	O-Ring, Screw (EPDM)	5
8	43302 B	Bracket Screw, Pan Head, Stainless	4
*9	43314	O-Ring, Segment (EPDM)	1
*10	43312	O-Ring, Body (EPDM)	1
*11	43303 A	Shaft Seal (EPDM)	1
12	43301 A	Key, 3/16 x 3/16 x 1	1

REF.	PART NO.	DESCRIPTION	QTY.
13	43274 B	Impeller	1
14	43284 B	Impeller Screw, 5/16-24 x 3/4"	1
15	43324 A	Volute	1
16	43285 C	Volute Screw, Stainless, 6-32 x 1/2"	2
17	46044 A	Volute Assembly Screw, 10-24 x 1-1/2"	AR
*18	43300 B	Check Valve (EPDM)	1
19	A 43278 A	Body [includes (2) Decals]	1
NS	08970	Decal, Fill Pump	1
NS	08971	Decal, Warning	1
*20	PS 46045 A	Screw, 1/4-20 x 2-1/2"	10
*21	43315	O-Ring, Fill Plug (EPDM)	1
22	43311 A	Filler Plug [Note: #21 O-Ring not included]	1
23	46317 A	Drain Plug	1
24	02964	Slinger	1
*25	43880 A	Decal, EPDM	1
NS	09081	Decal, Safety Sign (On Engine)	1
26	83009	Lock Washer, 1/4" (see note 1; see also #5)	2

Note 1: On AP52K (Kohler-powered pump) only, use 83009 lockwashers on the top two screws, to improve fuel tank clearance.)

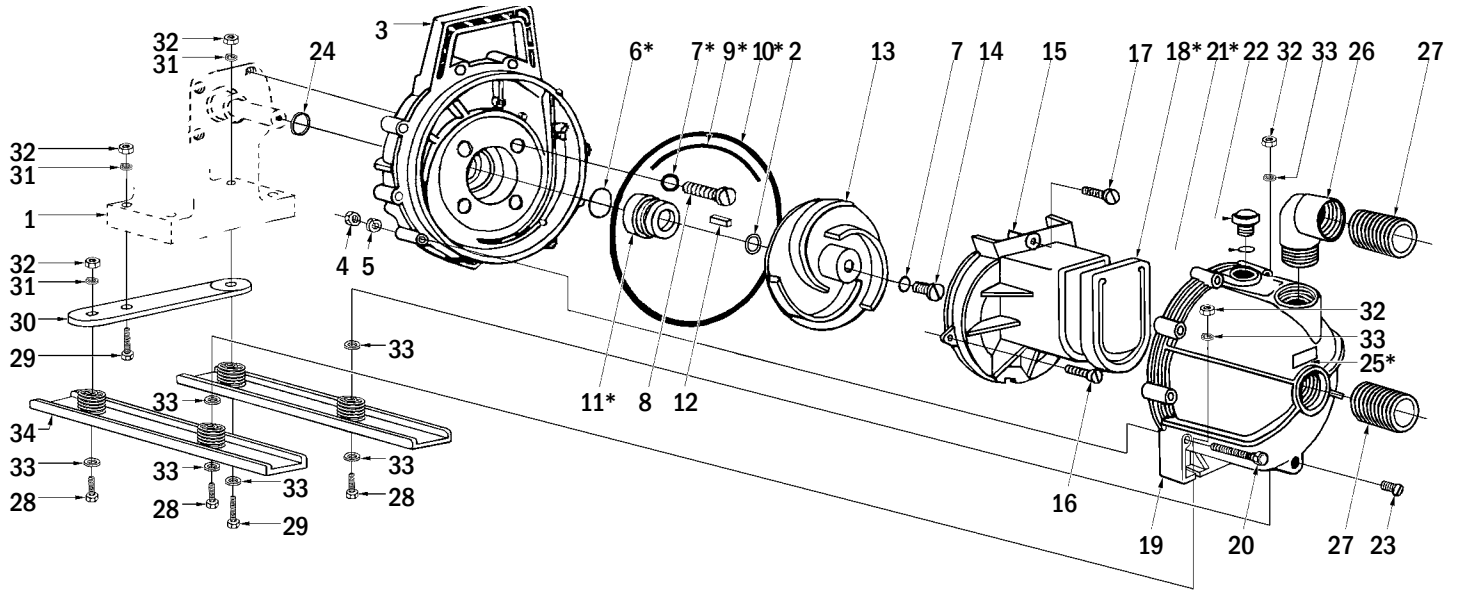
TORQUE SPECS

REF NO.	Inch Pounds	Newton Meters	Notes:
8	70-90	7.9-10.2	Use Loctite Red 262
14	20-25	2.3-2.8	Use Loctite Red 262
16	15-20	1.7-2.3	
17	15-20	1.7-2.3	
20	20-25	2.3-2.8	

OTHER PARTS & ACCESSORIES:

PART NO.	DESCRIPTION
A 43297 C	EPDM Repair Kit
A 43318	Skid Kit
A 47832 A	Buna-N Repair Kit
L 17043	Owner's Manual
19189 B	Spanner Wrench, 2"
15036	Foot Valve, 2"
15082	Reducer Bushing, 2" to 1-1/2"
A 15141	Roll Cage Kit

PARTS LIST / LISTE DE PIECES DE RECHANGE / LISTA DE PARTES / TEILELISTE: AP32B • AP62B



* Included in A 47832 A Buna-N Overhaul Seal Kit

Pump Wet-End Kit: **AP24WE** (UT-L1633Z)
Includes all pump parts (no skids), Buna-N seals, no engine

REF.	PART NO.	DESCRIPTION	QTY.
1	04867 A	Engine, B&S Standard 3½ hp (AP32B)	1
	15017	Engine, B&S Powerbuilt OHV 5½ hp (AP62B)	1
2	42382	Shim, .010"	AR
	42383	Shim, .015"	AR
3	43270 B	Impeller Housing	1
4	81172 B	Hex Nut, 1/4 - 20	10
5	83009	Lock Washer, 1/4"	10
*6	43751	O-Ring (Buna-N)	1
*7	67900	O-Ring, Screw (Buna-N)	5
8	43302 B	Screw, Pan Head, SS (AP32B, AP62B)	4
*9	43272	O-Ring, Segment (Buna-N)	1
*10	43273	O-Ring, Body (Buna-N)	1
*11	43271	Shaft Seal (Buna-N)	1
12	43301 A	Key, 3/16 x 3/16 x 1	1
13	43274 B	Impeller	1
14	43284 B	Impeller Screw, 5/16-24 x 3/4"	1
15	43324 A	Volute	1
16	43285 C	Volute Screw, Stainless, 6-32 x 1/2"	2
17	46044 A	Volute Assembly Screw, 10-24 x 1-1/2"	AR
*18	43276 B	Check Valve (Buna-N)	1

REF.	PART NO.	DESCRIPTION	QTY.
19	A 43278 A	Body [includes (2) Decals]	1
NS	08970	Decal, Fill Pump	1
NS	08971	Decal, Warning	1
20	PS 46045 A	Screw, 1/4-20 x 2-1/2"	10
*21	43316	O-Ring, Fill Plug (Buna-N)	1
22	43311 A	Filler Plug [Note: #21 O-Ring not included]	1
23	46317 A	Drain Plug	1
24	02964	Slinger	1
*25	48328	Decal, Buna-N	1
NS	09081	Decal, Safety Sign (On Engine)	1
26	43305	Street Elbow, 2"	1
27	03040	Nipple, 2"	2
NS	43307	Strainer	1
28	46053 A	Screw, Hex, 5/16 x 1"	3
29	80288	Screw, Hex, 5/16 x 1-3/4"	2
30	43262 1	Mounting Bar	1
31	83002	Lock Washer, 5/16"	3
32	81162	Hex Nut, 5/16-18	5
33	84046	Washer, Flat, 5/16"	8
34	A 43263	Skid Assembly (No Longer Available)	2

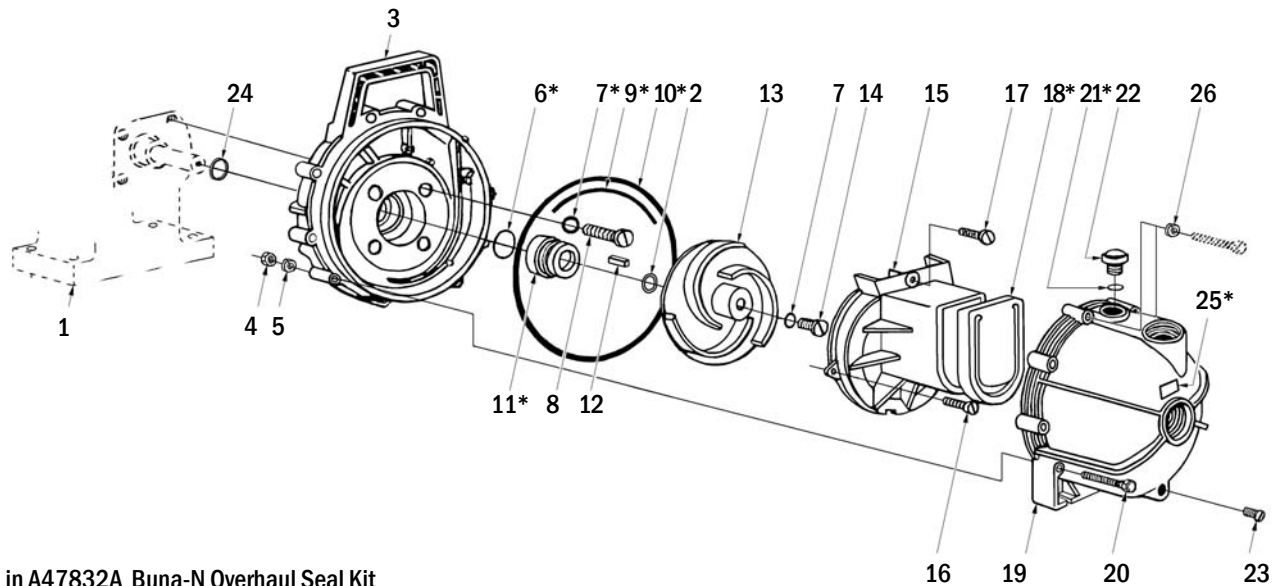
TORQUE SPECS

REF NO.	Inch Pounds	Newton Meters	Notes:
8	70-90	7.9-10.2	Use Loctite Red 262
14	20-25	2.3-2.8	Use Loctite Red 262
16	15-20	1.7-2.3	
17	15-20	1.7-2.3	
20	20-25	2.3-2.8	
27	140-160	15.8-18.1	
28	140-160	15.8-18.1	

OTHER PARTS & ACCESSORIES:

PART NO.	DESCRIPTION
A 43297 C	EPDM Repair Kit
A 47832 A	Buna-N Repair Kit
L 17043	Owner's Manual
43307	Strainer, 2", Plastic
19189 B	Spanner Wrench, 2"
15036	Foot Valve, 2"
15082	Reducer Bushing, 2" to 1-1/2"
A 15141	Roll Cage Kit

**PARTS LIST / LISTE DE PIÈCES DE RECHANGE / LISTA DE PARTES / TEILELISTE:
AP24B • AP54B • AP54K**



* Included in A47832A Buna-N Overhaul Seal Kit

Note: See Page 31 for Ag Series Chemical Compatibility Chart

Pump Wet-End Kit: **AP24WE** (UT-L1633Z)
Includes all pump parts, Buna-N seals, no engine

REF.	PART NO.	DESCRIPTION	QTY.
1	04867 A	Engine, B&S Standard 3½ hp (AP24B)	1
	15017	Engine, B&S Powerbuilt OHV 5½ hp (AP54B)	1
	15228	Engine, Kohler OHV 5½ hp (AP54K)	1
2	42382	Shim, .010"	AR
	42383	Shim, .015"	AR
3	43270 B	Impeller Housing	1
4	81172 B	Hex Nut, 1/4 - 20	10
5	83009	Lock Washer, 1/4"	10
*6	43751	O-Ring (Buna-N)	1
*7	67900	O-Ring, Screw (Buna-N)	5
8	43302 B	Screw, Pan Head, SS (AP32B, AP62B)	4
*9	43272	O-Ring, Segment (Buna-N)	1
*10	43273	O-Ring, Body (Buna-N)	1
*11	43271	Shaft Seal (Buna-N)	1
12	43301 A	Key, 3/16 x 3/16 x 1	1

REF.	PART NO.	DESCRIPTION	QTY.
13	43274 B	Impeller	1
14	43284 B	Impeller Screw, 5/16-24 x 3/4"	1
15	43324 A	Volute	1
16	43285 C	Volute Screw, Stainless, 6-32 x 1/2"	2
17	46044 A	Volute Assembly Screw, 10-24 x 1-1/2"	AR
*18	43276 B	Check Valve (Buna-N)	1
19	A 43278 A	Body [includes (2) Decals]	1
NS	08970	Decal, Fill Pump	1
NS	08971	Decal, Warning	1
20	PS 46045 A	Screw, 1/4-20 x 2-1/2"	10
*21	43316	O-Ring, Fill Plug (Buna-N)	1
22	43311 A	Filler Plug [Note: #21 O-Ring not included]	1
23	46317 A	Drain Plug	1
24	02964	Slinger	1
*25	48328	Decal, Buna-N	1
NS	09081	Decal, Safety Sign (On Engine)	1
26	83009	Lock Washer, 1/4" (see note 1; see also #5)	2

Note 1: On AP54K (Kohler-powered pump) only, use 83009 lockwashers on the top two screws, to improve fuel tank clearance.)

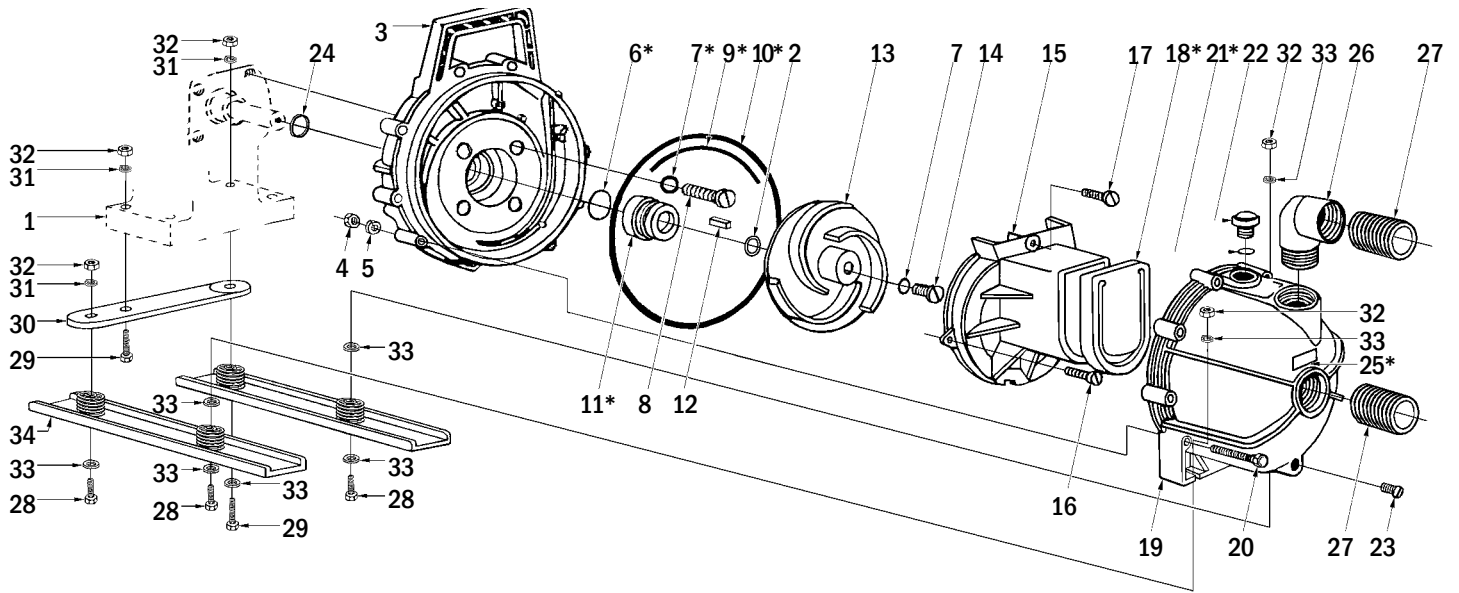
TORQUE SPECS

REF NO.	Inch Pounds	Newton Meters	Notes:
8	70-90	7.9-10.2	Use Loctite Red 262
14	20-25	2.3-2.8	Use Loctite Red 262
16	15-20	1.7-2.3	
17	15-20	1.7-2.3	
20	20-25	2.3-2.8	

OTHER PARTS & ACCESSORIES:

PART NO.	DESCRIPTION
A 43297 C	EPDM Repair Kit
A 47832 A	Buna-N Repair Kit
L 17043	Owner's Manual
43307	Strainer, 2", Plastic
19189 B	Spanner Wrench, 2"
15036	Foot Valve, 2"
15082	Reducer Bushing, 2" to 1-1/2"
A 15141	Roll Cage Kit

PARTS LIST / LISTE DE PIÉCES DE RECHANGE / LISTA DE PARTES / TEILELISTE: AP64Y

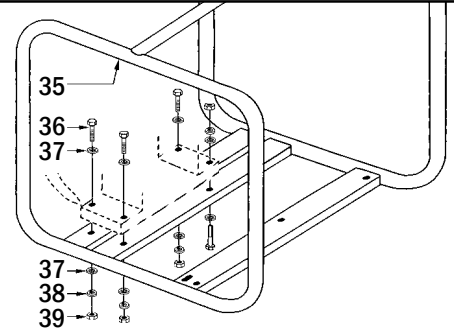


REF.	PART NO.	DESCRIPTION	QTY.
1	15075	Engine, Yanmar Diesel	1
2	42382	Shim, .010"	AR
	42383	Shim, .015"	AR
3	43270 B	Impeller Housing	1
4	81172 B	Hex Nut, 1/4 - 20	10
5	83009	Lock Washer, 1/4"	10
*6	43751	O-Ring (Buna-N)	1
*7	67900	O-Ring, Screw (Buna-N)	5
8	15199 1	Screw, Pan Head, SS	4
*9	43272	O-Ring, Segment (Buna-N)	1
*10	43273	O-Ring, Body (Buna-N)	1
*11	43271	Shaft Seal (Buna-N)	1
12	43301 A	Key, 3/16 x 3/16 x 1	1
13	43274 B	Impeller	1
14	43284 B	Impeller Screw, 5/16-24 x 3/4"	1
15	43324 A	Volute	1
16	43285 C	Volute Screw, Stainless, 6-32 x 1/2"	2
17	46044 A	Volute Assembly Screw, 10-24 x 1-1/2"	AR
*18	43276 B	Check Valve (Buna-N)	1
19	A 43278 A	Body [includes (2) Decals]	1
NS	08970	Decal, Fill Pump	1
NS	08971	Decal, Warning	1
20	PS 46045 A	Screw, 1/4-20 x 2-1/2"	10
*21	43316	O-Ring, Fill Plug (Buna-N)	1
22	43311 A	Filler Plug [Note: #21 O-Ring not included]	1
23	46317 A	Drain Plug	1
24	02964	Slinger	1
*25	48328	Decal, Buna-N	1

Pump Wet-End Kit: **AP24WE** (UT-L1633Z)
Includes all pump parts (no roll cage), Buna-N seals, no engine

* Included in A 47832 A Buna-N Overhaul Seal Kit

**AP64Y
Roll Cage**



REF.	PART NO.	DESCRIPTION	QTY.
NS	09081	Decal, Safety Sign (On Engine)	1
26	43305	Street Elbow, 2"	1
27	03040	Nipple, 2"	2
NS	43307	Strainer	1
35	15124	Roll Cage	1
36	80098	Screw, Hex, 3/8 x 1-3/4"	4
37	84010	Washer, Flat, 3/8"	8
38	83018	Lock Washer, 3/8"	4
39	81043	Hex Nut, 3/8"	4

TORQUE SPECS

REF NO.	Inch Pounds	Newton Meters	Notes:
8	70-90	7.9-10.2	Use Loctite Red 262
14	20-25	2.3-2.8	Use Loctite Red 262
16	15-20	1.7-2.3	
17	15-20	1.7-2.3	
20	20-25	2.3-2.8	
27	140-160	15.8-18.1	
28	140-160	15.8-18.1	

Note: See Page 29 for Ag Series Chemical Compatibility Chart

OTHER PARTS & ACCESSORIES:

PART NO.	DESCRIPTION
A 43297 C	EPDM Repair Kit
A 47832 A	Buna-N Repair Kit
L 17043	Owner's Manual
43307	Strainer, 2", Plastic
19189 B	Spanner Wrench, 2"
15036	Foot Valve, 2"
15082	Reducer Bushing, 2" to 1-1/2"
A 15141	Roll Cage Kit



RIVERSIDE PUMP MANUFACTURING, INC.
P.O. Box 579 WWW.RIVERSIDEPUMP.MFG.COM
CHERAW, SC USA 29520 888.696.9005