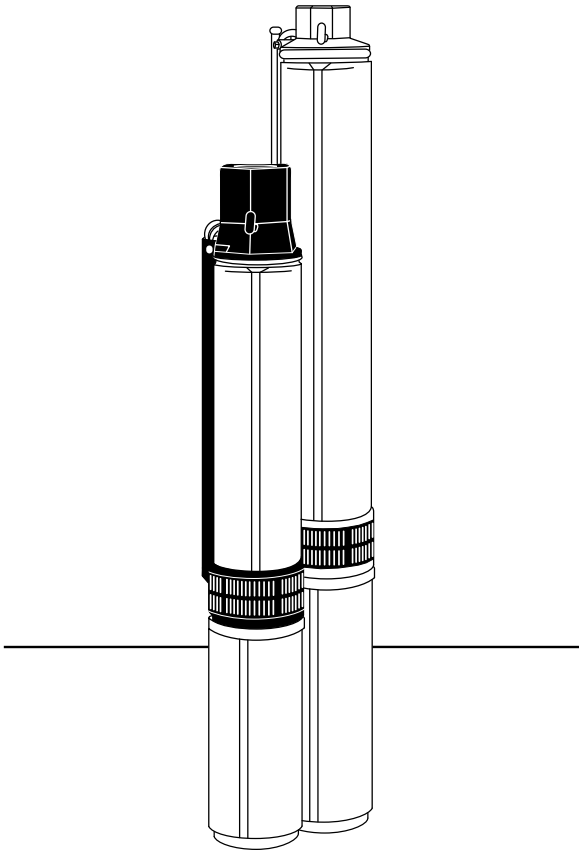


4" SUBMERSIBLE PUMP OWNER'S MANUAL



BEFORE INSTALLING PUMP, BE SURE TO READ THIS OWNER'S MANUAL CAREFULLY.

CAUTION Fill the pump with water before starting or the pump will be damaged. The motor on this pump is guaranteed by the manufacturer, and in the event of failure it must be returned to an authorized service station for repairs. The motor warranty is void if repairs are not made by an authorized repair station.

INSPECT THE SHIPMENT

Examine the pump when it is received to be sure there has been no damage in shipping. Should any be evident, report it immediately to the dealer from whom the pump was purchased. Please check the pump package to see that it includes pump, motor, and motor leads (if your pump purchase includes a motor).

This pump includes either a built-in or externally-mounted check valve with the discharge head. Make certain that your available voltage corresponds to that of your motor.

READ AND FOLLOW SAFETY INSTRUCTIONS

! This is the safety alert symbol. When you see this symbol on your pump or in this manual, look for one of the following signal words and be alert to the potential for personal injury:

DANGER warns about hazards that **will** cause serious personal injury, death, or major property damage if ignored.

WARNING warns about hazards that **can** cause serious personal injury, death, or major property damage if ignored.

CAUTION warns about hazards that **will** or **can** cause minor personal injury or major property damage if ignored.

The label **NOTICE** indicates special instructions, which are important but not related to hazards.

Carefully read and follow all safety instructions in this manual and on pump.

Keep safety labels in good condition.

Replace missing or damaged safety labels.

! WARNING



Hazardous voltage. Can shock, burn, or cause death.

Ground pump before connecting to power supply. Disconnect power before working on pump, motor or tank.

! **Wire motor for correct voltage. See Electrical Information section of this manual and motor nameplate.**

! Ground motor before connecting to power supply.

! Meet National Electrical Code, Canadian Electrical Code, and local codes for all wiring.

! Follow wiring instructions in this manual when connecting motor to power lines.

ATTENTION!

IMPORTANT INFORMATION FOR INSTALLERS OF THIS EQUIPMENT!

THIS EQUIPMENT IS INTENDED FOR INSTALLATION BY TECHNICALLY-QUALIFIED PERSONNEL. FAILURE TO INSTALL IT IN COMPLIANCE WITH NATIONAL AND LOCAL ELECTRICAL CODES AND WITH FRANKLIN ELECTRIC RECOMMENDATIONS MAY RESULT IN ELECTRICAL SHOCK OR FIRE HAZARD, UNSATISFACTORY PERFORMANCE,



AND EQUIPMENT FAILURE. FRANKLIN ELECTRIC INSTALLATION INFORMATION IS AVAILABLE FROM PUMP MANUFACTURERS AND DISTRIBUTORS, AND DIRECTLY FROM FRANKLIN ELECTRIC. CALL FRANKLIN ELECTRIC TOLL FREE AT 800-701-7894 FOR INFORMATION. RETAIN THIS INFORMATION SHEET WITH THE EQUIPMENT FOR FUTURE REFERENCE.

WARNING

SERIOUS OR FATAL ELECTRICAL SHOCK MAY RESULT FROM FAILURE TO CONNECT THE MOTOR, CONTROL ENCLOSURES, METAL PLUMBING, AND ALL OTHER METAL NEAR THE MOTOR OR CABLE TO THE POWER SUPPLY GROUND TERMINAL USING WIRE NO SMALLER THAN MOTOR CABLE WIRES. TO REDUCE RISK OF ELECTRICAL SHOCK, DISCONNECT POWER BEFORE WORKING ON OR AROUND THE WATER SYSTEM. DO NOT USE MOTOR IN SWIMMING AREAS.

INSTALLATION RECORDS

It is a good idea to keep an accurate record of your installation. Be sure to record the data below:

Purchased from:			
Date of installation:			
Pump model*:			
Pump date code*:			
Well inside diameter (in/mm):			
Depth of well (ft/m):			
Depth of water (ft/m):			
Pump setting (ft/m):			
Drop pipe size:			
Wire size (pump to control box):			
Wire size (control box to power source):			
Horizontal offset (between well & house):			
Make of motor*			
Amps	HP	Volts	Phase
Make of control box			
HP		Volts	
Power supply			
Volts		HZ	
Pressure switch limits			
Cut-in (PSI)		Cut-out (PSI)	

*This information is on your pump or motor tag. It will help us identify your pump in case of later inquiries.

TEST RUNNING

If test running pump before installation:

1. Ensure that the power supply corresponds with that shown on the nameplate of the motor and control box (if required).
2. Install pump and components appropriate for the test as shown in Fig. 1.
3. Make sure power supply is turned off and circuit breaker or disconnect switch is open. Make electrical connections appropriate to your motor as shown in Figure 2, 3 or 4.
4. On a three-phase motor, use a magnetic starter equipped with quick-trip, ambient compensated heaters of correct size for the horsepower of the motor.
To ensure correct rotation of three-phase units, brace pump shell securely and apply power momentarily by snapping line switch quickly on and off. If rotation is correct, reaction of the shell will be clockwise when viewed from pump discharge (that is, pump shaft will rotate counter clockwise). Interchange any two leads at magnetic starter to reverse rotation.
5. Run pump and motor unit for a few seconds to ensure that it is in working order.

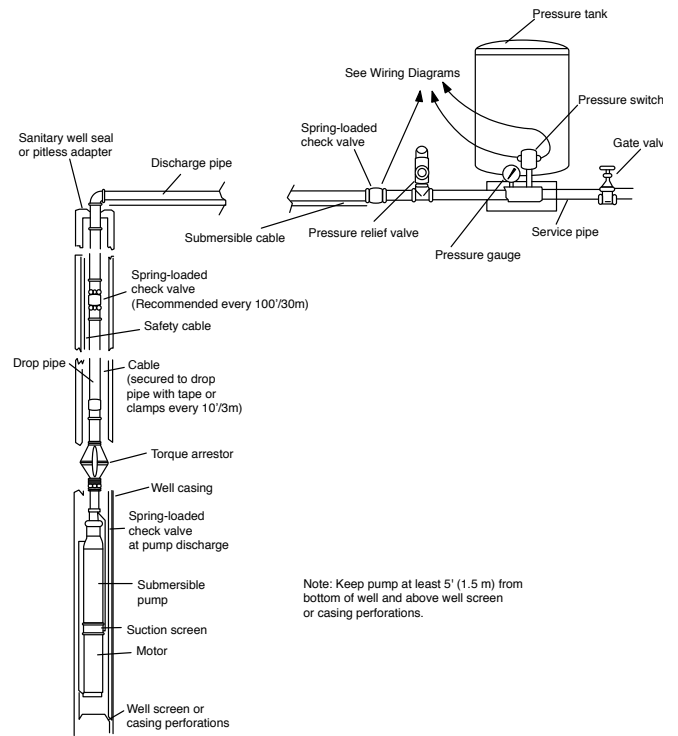


FIGURE 1
Installation Diagram

SUITABILITY OF WELL

Install the pump only in a well that has been properly developed. Water from an undeveloped well often contains an excessive amount of sand, dirt, and abrasives which can damage the pump. Check that the well is large enough to

allow the pump to be set at the required depth. Do not set the pump below the casing perforations or well screen unless you make arrangements to ensure an adequate flow of water over the motor for cooling purposes. Determine the correct pump setting from the driller's record by taking into account the static water level and the drawdown at the proposed pumping rate. Keep the pump at least five feet from the bottom of a drilled well.

SPLICING THE POWER CABLE

Follow the instructions enclosed in the cable splicing kit (purchased separately).

DROP PIPE

Submersible drop pipe manufacturer's usage guidelines should always be followed when suspending a submersible pump in a well. Generally either galvanized steel or plastic are used for the pump drop pipe. When using plastic piping it is important to follow the manufacturer's depth and pressure rating. Give special consideration to:

1. A safety cable to prevent loss of pump if pipe should break.
2. A torque arrestor just above pump to prevent chafing the cable when pump and pipe twist during the starting and stopping cycle. (See Figure 1.)

Schedule 40 galvanized pipe is suitable for settings to 600 feet (180m). For deeper settings, use schedule 40 pipe for the bottom 600 feet (180m), and schedule 80 for the remainder.

NOTICE: Drop pipe sizes and usages depths should be considered as general guidelines only. Drop pipe manufacturer data and recommendations supersedes these instructions.

Take great care to keep pipes clean and free from pebbles, scale, and thread chips. Make sound, air-tight connections at all fittings. Pipe sealant is recommended.

CHECK VALVES

It is recommended that one or more check valves always be used in submersible pump installations. If the pump does not have a built-in check valve, an inline check valve should be installed in the discharge line within 25 feet of the pump and below the draw down level of the water supply. If permitted by local codes it is recommended that an additional check valve be installed in the system plumbing between the wellhead and the system's pressure tank. For pump installations that are more than 200 feet (60m) below the wellhead; additional check valves should be installed in the drop pipe. This should be done at intervals of 200 feet (60m) or at the check valve manufacturer's specified installation interval. More than one check valve is often needed, but more than the recommended number of check valves should not be used.

Swing type check valves are not acceptable and should never be used with submersible motors/pumps. Swing type check valves have a slower reaction time which can cause water hammer (see next page). Internal pump check valves or spring loaded check valves close quickly and help eliminate water hammer.

Check valves are used to hold pressure in the system when the pump stops. They also prevent backspin, water hammer and upthrust. Any of these can lead to early pump or motor failure.

NOTE: Only positive sealing check valves should be used in

submersible installations. Although drilling the check valve or using drain-back check valves may prevent back spinning, they create upthrust and water hammer problems.

A. Backspin - With no check valve or a failed check valve, the water in the drop pipe and the water in the system can flow down the discharge pipe when the motor stops. This can cause the pump to rotate in a reverse direction. If the motor is started while it is back spinning, an excessive force is placed across the pump-motor assembly that can cause impeller damage, motor or pump shaft breakage, excessive bearing wear, etc.

B. Upthrust - With no check valve, a leaking check valve, or drilled check valve, the unit starts under a zero head condition. This causes an uplifting or upthrust on the impeller-shaft assembly in the pump. This upward movement carries across the pump-motor coupling and creates an upthrust condition in the motor. Repeated upthrust can cause premature failure of both the pump and the motor.

C. Water Hammer - If the lowest check valve is more than 30 feet above the standing (lowest static) water level, or a lower check valve leaks and the check valve above holds, a vacuum is created in the discharge piping. On the next pump start, water moving at very high velocity fills the void and strikes the closed check valve and the stationary water in the pipe above it, causing a hydraulic shock. This shock can split pipes, break joints and damage the pump and/or motor. Water hammer can often be heard or felt. When discovered, the system should be shut down and the pump installer contacted to correct the problem.

REMOVABLE POPPET CHECK VALVE

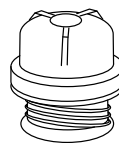
4" submersible pumps with a 1-1/4" discharge are supplied with a spring-loaded, removable poppet check valve assembly. This check valve can be removed from the pump discharge when drain back is desired.

WARNING

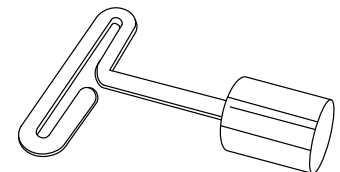
Fluid draining back through the pump can cause the pump to rotate backwards. If pump/motor starts during this time, damage to the pump can occur.

The check valve can be removed using a T-handle poppet wrench (purchased separately), or with standard needle-nosed pliers. The poppet assembly is left-hand threaded and is removed by turning clockwise.

When reinstalling a poppet check valve assembly, tighten it to 15 inch-pounds.



Poppet Assembly



T-Handle Poppet Wrench

INSTALLATION OF PUMP, DROP PIPE, AND ASSOCIATED EQUIPMENT

Figure 1 illustrates a typical well installation showing in ground components. Adhere to the following items when installing the pump and drop pipe:

1. Fasten the submersible cable to the drop pipe with clamps or appropriate tape every 10 ft. (3m) to prevent tangling and

damage to the cable. The cable must remain slack when using plastic drop pipe to allow for stretching of pipe when installed in the well.

2. Take care not to scrape or pinch the submersible cable against the well casing.

One sentence needs to be together on same page

3. Use an ohmmeter or megger to make insulation and continuity checks on the cable once the pump is installed. This locates any fault in the cable.
4. Make sure a check valve is in accordance with the guidelines in this manual.
5. Install a torque arrestor just above the pump to prevent chafing the cable when pump and pipe twist during starting and stopping.
6. Attach a safety cable to pump to prevent loss of pump if pipe should break.
7. Place a sanitary well seal or pitless adapter with an approved cover plate over top of well per manufacturers recommendations.
8. Keep pump at least 5' (1.5m) from bottom of well and above well screen or casing perforations.

ELECTRICAL INFORMATION

1. Employ a licensed electrician to perform the wiring. All wiring must be done in accordance with applicable national and local electrical codes.
2. Check that the power supply corresponds with the electrical rating of the submersible motor and the control box (if required). Make sure that the control box electrical rating matches the motor electrical rating.
3. Every installation requires a fused disconnect switch or circuit breaker.
4. Every installation must be grounded. There must be a reliable ground connection between the pump and the distribution panel. The motor lead incorporates a green grounding conductor.
5. Lightning arrestors are recommended for every installation. All stainless steel, single phase motors through 5CV have built-in lightning arrestors. 3-phase motors require a separate lightning arrestor installed as close to the wellhead as possible. Install the arrestor in accordance with manufacturer's recommendations. Lightning arrestors provide protection against only induced voltage surges on secondary power lines; they are not effective against direct hits.
6. Mount the control box in an area protected from rain, snow, direct sunlight, or other high temperatures as this may cause tripping of the overload protector. Also protect the control box from extreme cold (below 25°F/-32°C) as this may have adverse effects on the starting capacitor.
7. A two-wire pump does not require a motor control box; all electrical components are built inside the motor. Figure 2 shows a typical wiring diagram for a two-wire installation.

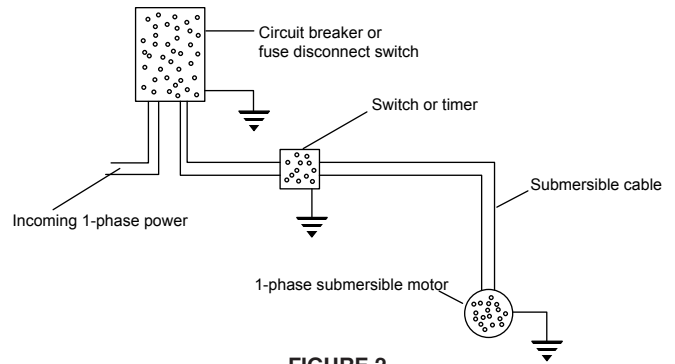


FIGURE 2
2-wire, 1-phase, 1/3 through 1-1/2 HP
Pump Wiring Diagram

8. A three-wire, 1-phase pump requires a motor control box incorporating overload relays. Figure 3 shows a typical wiring diagram for a three-wire, single-phase installation. Note that a magnetic contactor must be used if the pressure switch electrical rating is not sufficient to handle the submersible motor electrical rating. The pressure switch would then be incorporated into a pilot circuit to control the magnetic contactor. Make the connections at the control box in accordance with the wiring diagram in the control box to avoid damage to the motor.

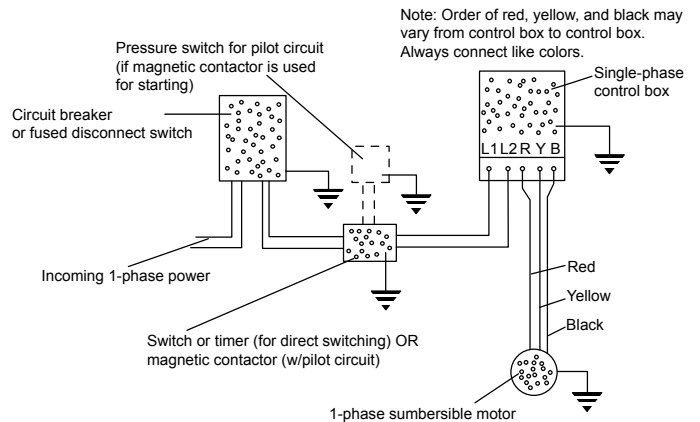


FIGURE 3
3-wire, 1-phase, 1/3 through 15 HP
Pump Wiring Diagram

9. A three-wire, three-phase pump does not require a motor control box. Figure 4 shows a typical wiring diagram for a three-wire, three-phase installation. A magnetic contactor with three-leg protection and quick-trip ambient compensated overload relays must be used.

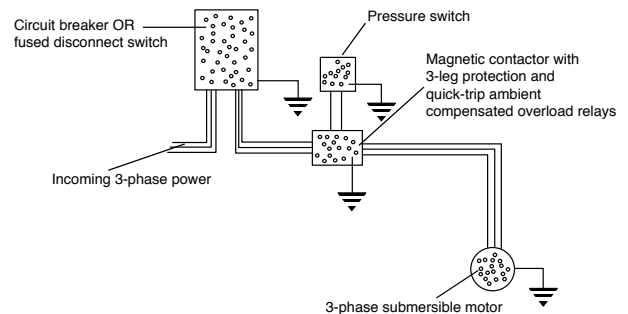


FIGURE 4
3-wire, 3-phase, 1-1/2 thru 50 HP
Pump Wiring Diagram

10. Use an ohm meter to make continuity and insulation checks after the installation is completed.
11. Place the additional pump nameplate onto the submersible label and place both onto disconnect switch or circuit breaker box for future reference.

WELL TEST

Check the pump and well performance before making the final connection to the discharge system.

1. Install a gate valve on the end of the pipe. Partially open the valve.
2. Start the pump.
3. Open the valve gradually to give full flow.
4. If the discharge is not clear, let the pump run until water clears. If water does not clear in 30 minutes, stop the pump and take the necessary steps to correct the condition. After the water appears clear, check for sand by discharging into a clean bucket or suitable container.
5. Close valve until maximum required system flow rate is obtained. This should correspond to the cut-in pressure of the pressure switch. Ensure that the output of the pump at this setting is not greater than the yield of the well. This can be checked by monitoring the well drawdown level and ensuring that the level is stable at the maximum required system flow rate.

⚠ CAUTION Never run the pump unless it is completely submerged in water. If run without water, the pump and motor could be damaged. Note also that air drawn into the pump can cause an airlock under certain conditions.

LOW-YIELDING WELL

A low-yielding well exists when the output from the pump is greater than the yield of the well. It can reduce the water level to the suction screen so that a mixture of air and water enters the pump. Pumping may stop since the pump cannot generate pressure with insufficient water. In this case, the column of water already in the drop pipe holds the check valve closed and an airlock may develop inside the pump. Because the conditions ensure neither adequate lubrication of the pump nor proper cooling for the motor, damage can result if power is not cut off quickly. Use one or more of the following methods to correct and/or protect this installation.

1. Install an additional length of drop pipe to place pump lower in well if possible.
2. Install a Franklin Pumptec or similar electronic drawdown sensor.
3. Install a floatless liquid level control. This device consists of an electrical relay activated by currents flowing through the ground-return circuits of electrodes hung in the well. The lower (stop) electrode, just above the pump, ensures that the water level can never be pumped down to the suction screen. The upper (start) electrode, just below the lowest static water level, ensures that the pump can start again as soon as the well has recovered. A floatless liquid level control works in series with the pressure switch. Refer to the manufacturer's instructions provided with the control.

4. Install a flow control valve in the discharge line upstream from the pressure switch. This restricts the output from the pump without affecting the rate that water can be drawn from the pressure tank. Nevertheless, a heavy demand for water could empty the pressure tank, so a tank with a bonded diaphragm, air cell, or water bag is recommended.
5. Install a smaller pump to avoid over-pumping the well. Have the dealer size the pump to the well yield.
6. Install a low pressure cut off switch, or a pressure switch with such an arrangement built in. This protects a shallow-well pump from losing its prime, but it does not always provide satisfactory protection to a submersible pump from the effects of over-pumping the well. This is because it responds to a loss of pressure at the surface, which may occur after an air lock has formed inside the pump. Either a floatless liquid level control or a flow control valve, in that order, is recommended in preference to a low-pressure cutoff switch as protection against over-pumping.

DISCHARGE PLUMBING

Figure 1 illustrates a typical well installation showing above-ground components. Refer to Figure 1 and the following steps when installing the discharge plumbing.

1. Install an above-ground check-valve upstream from the pressure switch.
2. Always install a pressure relief valve in the system. The relief valve should be capable of discharging the flow rate of the pump at the rated working pressure of the pressure tank. Locate the relief valve close to the pressure tank.
3. Install a pressure switch between the check valve and the pressure tank. Refer to Figure 2, 3, or 4 for proper wiring connections of pressure switch.
4. Install a pressure tank as close as possible to the pressure switch. Refer to manufacturer's recommendations for installation.

INSTALLATION IN LAKE OR STREAM

A submersible pump is usually isolated at the bottom of a well, where electrical leakage from its motor and cable presents no hazard to life. This natural protection is lost when it is installed in a lake, pond, stream, or fountain because there is no way to stop people and animals from entering or touching the surrounding water. It is recommended that such an installation be done by a licensed electrician in conformance with all applicable national and local electrical codes. Grounding as described in this manual is a minimum requirement, and a ground fault circuit interrupter (GFCI) is advisable. But in the absence of explicit national or local regulations, ask the local electric utility for guidance. In any case, support the pump from the shore or bottom at a 15° slant to assure proper motor bearing lubrication. Shield the pump from direct physical contact by people and animals. Protect and screen the pump intake to prevent blockage by leaves and weeds, but remember the need for adequate flow over the motor for cooling purposes. In addition, protect the entire underwater installation from water currents, ice, boats, anchors, debris, vandalism, and other hazards.

TROUBLESHOOTING

1. PUMP FAILS TO START

- a) Electrical trouble - call dealer or electrician
- b) Drawdown protection device has pump turned off
- c) Overload tripped
- d) Reset low pressure cutoff switch (if installed)

2. PUMP FAILS TO DELIVER WATER

- a) Air lock in pump
- b) Clogged intake screen
- c) Insufficient well yield

3. PUMP GIVES REDUCED OUTPUT

- a) Insufficient well yield
- b) Worn pump
- c) Clogged intake screen
- d) Low voltage
- e) Incorrect rotation (3-phase only)

4. PUMP CYCLES TOO FREQUENTLY

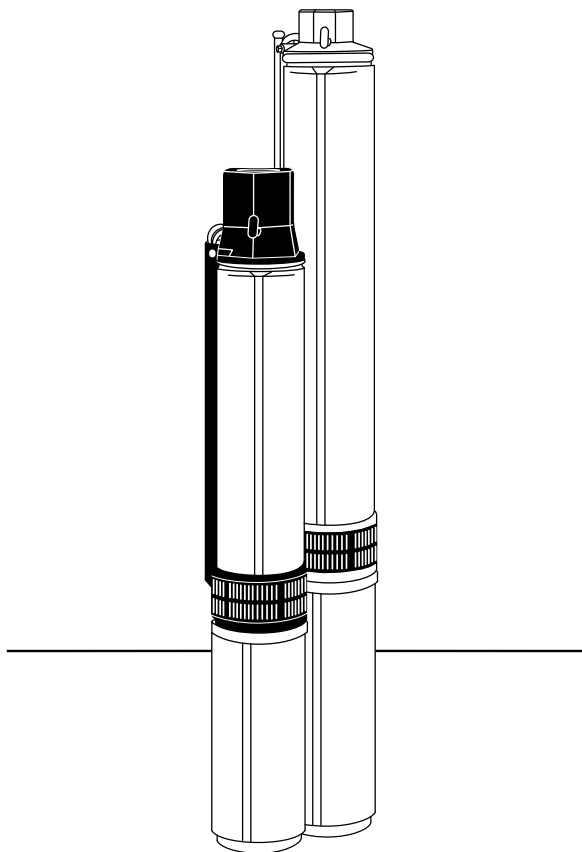
- a) Excessive pressure drop between pressure switch and pressure tank
- b) Cut-in pressure at pressure tank too high
- c) Cut-out pressure at pressure tank too low
- d) Waterlogged pressure tank
- e) Start and stop electrodes of floatless liquid level control set too close together
- f) Tank sized too small to meet system requirements

5. OVERLOADS TRIP

- a) Electrical trouble - call dealer or electrician

6. PRESSURE SWITCH CYCLES RAPIDLY WHEN PUMP STARTS

- a) Pressure switch too far from pressure tank
- b) Improper air charge of tank - adjust to manufacturer's recommendations



LIRE ATTENTIVEMENT CE GUIDE D'UTILISATION AVANT D'INSTALLER LA POMPE.

ATTENTION Pour éviter d'endommager la pompe, ne pas la faire fonctionner à sec avant l'amorçage. Le moteur de cette pompe est garanti par le fabricant. En cas de panne, il doit être retourné à un centre de service autorisé pour être réparé. La garantie du moteur sera annulée si les réparations ne sont pas effectuées par un centre de service autorisé.

INSPECTION DE L'ÉQUIPEMENT

Examiner la pompe dès la réception pour s'assurer qu'elle n'a subi aucun dommage pendant l'expédition. S'il y a des dommages manifestes, prévenir immédiatement le marchand qui a vendu la pompe. Vérifier qu'aucune pièce ne manque dans l'emballage : pompe, moteur, et câbles conducteurs du moteur si l'achat de la pompe inclut un moteur.

Le clapet de non-retour de cette pompe est soit intégré, soit monté à l'extérieur avec le corps de refoulement. S'assurer que la tension du secteur est en conformité avec la tension nominale du moteur.

LIRE ET SUIVRE CES CONSIGNES DE SÉCURITÉ

! Ce symbole, que l'on retrouve dans ce guide d'utilisation et sur la pompe, vise à attirer l'attention de l'utilisateur sur des situations dangereuses. Il est associé à des mots indicateurs dont voici les définitions :

DANGER Signale une situation présentant un danger imminent qui, si elle n'est pas évitée, entraînera des dégâts matériels importants ou de graves blessures, voire la mort.

MISE EN GARDE Signale une situation potentiellement dangereuse qui, si elle n'est pas évitée, peut entraîner des dégâts matériels importants, de graves blessures ou la mort.

ATTENTION Signale une situation potentiellement dangereuse qui, si elle n'est pas évitée, peut entraîner des blessures légères/superficielles ou des dégâts matériels importants.

L'étiquette **À NOTER** signale des instructions spéciales importantes, mais non associées à des dangers.

Lire attentivement et suivre toutes les consignes de sécurité de ce guide d'utilisation et celles sur la pompe.

Maintenir en bon état les étiquettes de sécurité.

Remplacer les étiquettes de sécurité manquantes ou endommagées.

! MISE EN GARDE



Tension dangereuse. Peut causer une décharge électrique, des brûlures, voire la mort.

Mettre la pompe à la terre avant de la brancher sur le secteur. Couper l'alimentation électrique avant de travailler sur la pompe, le moteur ou le réservoir.

! Adapter le moteur au courant utilisé. Se référer à la section Information électrique de ce guide d'utilisation et à la plaque signalétique du moteur.

! Brancher le moteur à la terre avant de le mettre sous tension.

! Tous les câblages doivent être conformes au NEC (code national d'électricité américain), au Code électrique canadien et aux codes locaux.

! Suivre les instructions de câblage de ce guide d'utilisation pour brancher le moteur sur le secteur.

ATTENTION!

RENSEIGNEMENTS IMPORTANTS À L'INTENTION DE L'INSTALLATEUR DE CET ÉQUIPEMENT!

CET ÉQUIPEMENT DOIT ÊTRE INSTALLÉ PAR UN TECHNICIEN QUALIFIÉ. UNE INSTALLATION NON CONFORME AUX CODES ÉLECTRIQUES NATIONAUX

ET LOCAUX, AINSI QU'ÀUX RECOMMANDATIONS DE FRANKLIN ELECTRIC, POURRAIT CAUSER UNE ÉLECTROCUTION, UN DANGER D'INCENDIE, UN MAUVAIS FONCTIONNEMENT ET LA PANNE DE L'ÉQUIPEMENT. ON PEUT SE PROCURER UN GUIDE D'INSTALLATION DE FRANKLIN ELECTRIC CHEZ LES FABRICANTS ET DISTRIBUTEURS DE POMPE, ET DIRECTEMENT CHEZ FRANKLIN ELECTRIC. APPELER SANS FRAIS FRANKLIN ELECTRIC AU 800-701-7894 POUR OBTENIR DE PLUS AMPLES RENSEIGNEMENTS À CE SUJET. CONSERVER CETTE FICHE D'INFORMATION AVEC L'ÉQUIPEMENT POUR CONSULTATION FUTURE.

MISE EN GARDE

POUR ÉVITER UNE ÉLECTROCUTION GRAVE OU MORTELLE : BRANCHER IMPÉRATIVEMENT SUR LA BORNE DE MISE À LA TERRE (AVEC UN FIL DE MÊME CALIBRE, OU PLUS GROS, QUE CELUI DES CÂBLES DU MOTEUR) LE MOTEUR, LES BOÎTES DE COMMANDE, LA PLOMBERIE EN MÉTAL ET TOUT AUTRE OBJET MÉTALLIQUE SE TROUVANT À PROXIMITÉ DU MOTEUR OU DU CÂBLE. POUR RÉDUIRE LES RISQUES ÉLECTROCUTION, COUPER L'ALIMENTATION ÉLECTRIQUE AVANT DE TRAVAILLER SUR L'ÉQUIPEMENT AQUATIQUE OU PRÈS DE CELUI-CI. NE PAS UTILISER LE MOTEUR DANS DES AIRES DE BAIGNADE.

DOSSIERS D'INSTALLATION

Conserver un dossier sur l'installation est une excellente idée. Veiller à consigner les informations suivantes :

Nom du marchand/magasin :			
Date de l'installation :			
Modèle de pompe* :			
Code de date de la pompe* :			
Diamètre interne du puits (po/mm) :			
Profondeur du puits (pi/m) :			
Profondeur de l'eau (pi/m) :			
Hauteur d'installation de la pompe (pi/m) :			
Dimensions de la colonne descendante :			
Calibre du fil (de la pompe à la boîte de commande) :			
Calibre du fil (de la boîte de commande à la source d'alimentation) :			
Déport horizontal (entre le puits et la maison) :			
Marque du moteur*			
Amp.	CV	Volts	Phase
Marque de la boîte de commande			
CV		Volts	
Alimentation électrique			
Volts		HZ	
Plage de pression de refoulement du pressostat			
Pression de démarrage (PSI)		Pression d'arrêt (PSI)	

*Vous trouverez ces informations sur l'étiquette de la pompe ou du moteur. Elle nous aidera à identifier votre pompe en cas de demandes ultérieures de renseignements.

MISE À L'ESSAI DE LA POMPE

Si une mise à l'essai de la pompe doit être effectuée avant son installation :

1. Vérifier l'alimentation électrique : elle doit être conforme aux indications données par la plaque signalétique du moteur et, si elle est requise, à celles dans la boîte de commande.
2. Installer la pompe et les composants requis pour la mise à l'essai (voir Figure 1).
3. S'assurer que l'alimentation électrique est coupée, et que le disjoncteur ou sectionneur est ouvert. Réaliser les connexions électriques appropriées pour le moteur. Voir Figure 2, 3 ou 4.
4. Moteur triphasé : utiliser un démarreur magnétique équipé d'éléments chauffants à déclenchement rapide et thermocompensés, conformes à la puissance du moteur. Pour vérifier la bonne rotation des modèles triphasés, caler solidement la cage de la pompe, puis mettre brièvement sous tension en actionnant rapidement l'interrupteur. Regarder au point de refoulement : la rotation est correcte lorsque la cage tourne dans le sens horaire (c.-à-d. : l'arbre de pompe tourne dans le sens antihoraire). Pour inverser la rotation, inverser au choix deux fils du démarreur magnétique.
5. Faire tourner la pompe et le moteur pendant quelques secondes pour vérifier leur bon fonctionnement.

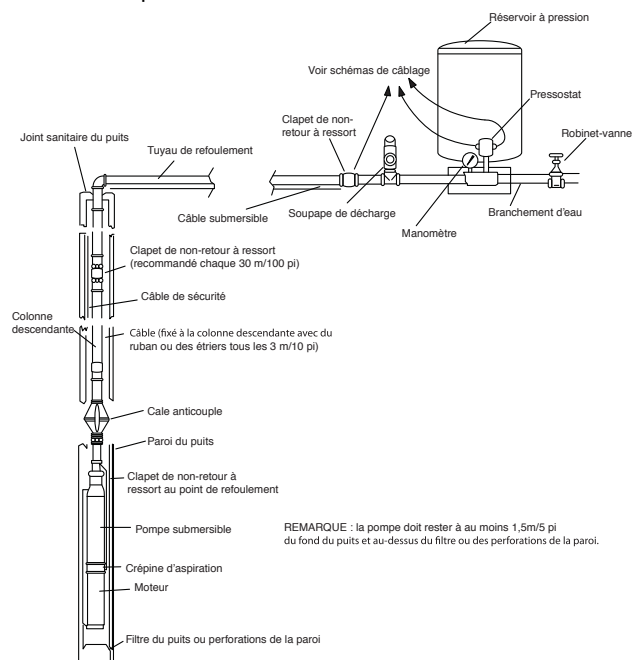


Figure 1
Schéma d'installation

ADÉQUATION DU Puits

Installer la pompe uniquement dans un puits bien aménagé; l'eau d'un puits mal équipé contient souvent beaucoup de sable, de saletés et matières abrasives qui pourraient

endommager la pompe. La circonférence du puits doit être suffisante pour installer la pompe à la profondeur appropriée. Idéalement, la pompe ne doit pas être plus basse que les perforations de la paroi ou du filtre du puits. Sinon, penser à prévoir un débit d'eau adéquat au-dessus du moteur pour le refroidir. À l'aide du dossier du foreur, déterminer la hauteur d'installation de la pompe; tenir compte du niveau naturel de l'eau et de la baisse de celui-ci pour le débit projeté. Garder la pompe à au moins 1,50 m (5 pi) au-dessus du fond d'un puits foré.

RACCORDEMENT DU CÂBLE ÉLECTRIQUE

Suivre les instructions qui accompagnent la trousse de jonction de câble (vendue séparément).

COLONNE DESCENDANTE

Les directives d'utilisation du fabricant de colonnes descendantes submersibles doivent toujours être respectées lors de la suspension d'une pompe immergée dans un puits. En règle générale, on utilise de l'acier galvanisé ou du plastique pour les colonnes descendantes des pompes. Lors de l'utilisation d'un tubage en plastique, il est important de respecter la profondeur et la pression nominale indiquées par le fabricant.

1. Un câble de sécurité, pour éviter de perdre la pompe en cas de bris de colonne.
2. Une cale anticouple, posée juste au-dessus de la pompe, pour empêcher le câble de frotter lorsque la pompe et la colonne vrillent au démarrage et à l'arrêt du moteur. (Voir Figure 1.)

Une tôle galvanisée de type 40 est adéquate jusqu'à 180 m (600 pi). Pour des pompes plus profondes, utiliser le type 40 pour les premiers 180 m (600 pi), et ensuite le type 80.

REMARQUE: Les dimensions et les profondeurs des colonnes descendantes doivent être considérées uniquement comme des directives générales. Les données et recommandations du fabricant de colonnes descendantes remplacent ces instructions.

Il est très important de garder les conduites propres et sans cailloux, dépôts ou ébarbures. Les raccords effectués doivent être hermétiques; il est recommandé d'utiliser du mastic de plomberie.

SOUPAPES DE RETENUE

Il est recommandé d'utiliser un ou plusieurs clapets anti-retour lors d'une installation de pompe

submersible. Si la pompe submersible n'a pas de clapet anti-retour incorporé, un clapet anti-retour doit être installé sur la conduite à une distance de 25 pieds de la pompe et sous le plus bas niveau de soutirage de la source d'eau. Si le code local du bâtiment le permet, un autre clapet anti-retour devrait être installé entre la tête du puits et le réservoir pressurisé. Pour les installations de plus de 200pieds (60m) : d'autre clapet anti-retour devrait être installé sur la conduite d'eau et ce, à chaque intervalle de 200 pieds (60m) ou selon les spécifications du fabricant de clapet. Plus qu'un clapet anti-retour devrait être utilisé pour

la plupart des installations sans toutefois dépasser le nombre recommandé. Les clapets de retenues de type « à bascule » ne sont pas recommandés et ne devraient jamais être utilisés avec une pompe submersible. Le temps de réponse de

ces clapets sont trop lent et peuvent provoquer des coups de bélier (voir à la page suivante). Les clapets de retenue interne et à ressort ferment plus vite et éliminent les coups de béliers. Les valves de retenue maintiennent la pression dans le système quand la pompe cesse de fonctionner. Ils empêchent également les impulseurs de fonctionner à l'envers, en position d'élévation verticale et évite les coups de bélier. Ceux-ci peuvent provoquer une usure prématurée de la pompe et du moteur.

Note: Seulement les clapets de retenue à scellement positif doivent être utilisés dans une installation submersible. Quoique d'autres types de clapet tel que les clapets perforés et les clapets à drainage peuvent prévenir les impulseurs de fonctionner à l'envers ceux-ci n'empêche pas les coups de bélier et créent un fonctionnement en élévation verticale. (Up thrust)

A. Fonctionnement à l'envers: Sans clapet de retour ou avec des clapet défectueux, l'eau contenue dans le réseau retourne à la source lorsque la moteur s'arrête. Ceci fait fonctionner les impulseurs en sens contraire. Si le moteur redémarre dans ces conditions, la force exercée sur la pompe et le moteur peut causer des dommages aux impulseurs, à l'arbre, composants moteur, etc.

B. Élévation vertical: Sans clapet de retour ou avec des clapet défectueux ou perforés l'unité démarre dans des conditions de pression nul. Ceci aura pour effet de soulever l'ensemble des impulseurs. Ce mouvement se répercute également sur l'arbre du moteur. Il en résulte des dommages aux impulseurs et aux composants du moteur

C. Coup de bélier: Si le clapet de retenue est plus élevé de 30 pieds du niveau statique le plus bas ou si un clapet plus bas à une fuite il se crée un vacuum dans le tuyau. Lorsque la pompe démarrera l'eau qui voyage avec une grande vélocité comblera le vide et frappera le clapet et la colonne d'eau supérieur ce qui aura pour effet de créer un choc hydraulique. Celui-ci peut fendre les tuyaux, brisé des joints et endommagé pompe et moteur. Les coups de bélier peuvent souvent être entendu ou ressenti. Si cela se produit fermer le système et consultez votre installateur pour corriger la situation.

CLAPET DE NON-RETOUR À RESSORT AMOVIBLE

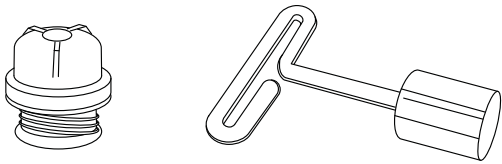
Les pompes de 4 po (101,6 mm) avec un refoulement de 1-1/4 po (31,75 mm) sont équipées d'un clapet de non-retour à ressort amovible au point de refoulement, pouvant être déposé lorsqu'un refoulement inverse (vers la pompe) est souhaité.



Le refoulement du fluide vers la pompe peut entraîner la rotation en sens inverse de celle-ci : si la pompe/le moteur démarre à ces moments-là, la pompe pourrait subir des dommages.

Utiliser une clé de fontainier pour clapet de non-retour à ressort (vendue séparément) ou des pinces standard à bec effilé pour déposer ce dernier. Le filetage du clapet étant à gauche, il se dévisse dans le sens horaire.

Revisser le clapet à un couple de 1,69 Nm (15 lb.po).



Clapet de non-retour à ressort Clé de fontainier pour clapet

INSTALLATION DE LA POMPE, DE LA COLONNE DESCENDANTE ET DES ACCESSOIRES

La Figure 1 illustre une installation typique des composants dans le sol. Suivre les instructions suivantes d'installation de la pompe et de la colonne descendante :

1. À chaque 3 m (10 pi), attacher le câble submersible à la colonne avec des étriers ou du ruban approprié pour éviter qu'il s'entortille ou soit endommagé. Si l'on utilise une colonne descendante en plastique, le câble doit rester lâche à cause de l'étirement de la colonne une fois installée.
2. Veiller à ne pas racler ou pincer le câble contre la paroi du puits.
3. À l'aide d'un ohmmètre ou d'un mégohmmètre, vérifier la qualité de l'isolation et la continuité du câble après l'installation de la pompe. Toute défectuosité dans le câble sera ainsi détectée.
4. Un clapet de non-retour doit être posé tout juste au-dessus de la pompe. Monter des clapets additionnels à chaque 30 m (100 pi) en conformité avec les directives de ce manuel.
5. Poser une cale anticouple, juste au-dessus de la pompe et du clapet, pour empêcher le câble de frotter lorsque la pompe et la colonne vrillent au démarrage et à l'arrêt du moteur.
6. Accrocher un câble de sécurité à la pompe pour éviter de la perdre en cas de bris de colonne.
7. Poser à la margelle du puits un joint sanitaire ou un coulisseau de raccordement, avec un couvercle approuvé, en suivant les recommandations du fabricant.
8. La pompe doit rester à au moins 1,5 m (5 pi) du fond du puits et au-dessus du filtre ou des perforations de la paroi.

INFORMATION ÉLECTRIQUE

1. Le câblage doit être effectué par un électricien professionnel, et conformément aux codes nationaux et locaux d'électricité.
2. Vérifier l'alimentation électrique : elle doit être conforme aux caractéristiques électriques du moteur et, si elle est requise, de la boîte de commande. S'assurer aussi que les caractéristiques de la boîte de commande sont en conformité avec celles du moteur.
3. Un sectionneur à fusible ou un disjoncteur est obligatoire pour chaque installation.
4. En outre, chaque installation doit être mise à la terre. Il doit y avoir une liaison fiable de mise à la terre reliant la pompe et le tableau de distribution. Les câbles du moteur incluent un câble vert pour la mise à la terre.
5. Des parafoudres sont aussi recommandés pour

chaque installation. Tous les moteurs monophasés en acier inoxydable jusqu'à 5 CV sont protégés par des parafoudres. Les moteurs triphasés exigent un parafoudre distinct, monté aussi près que possible de la margelle. Poser le parafoudre en suivant les recommandations du fabricant. Les parafoudres protègent la pompe contre les surtensions transitoires des lignes électriques secondaires; ils sont inefficaces en cas de coup direct.

6. Monter la boîte de commande à l'abri de la pluie, de la neige, du plein soleil ou autres températures élevées qui pourraient déclencher le limiteur de surcharge. Veiller aussi à protéger la boîte des températures très basses, soit en dessous de $-32\text{ }^{\circ}\text{C}$ ($25\text{ }^{\circ}\text{F}$), lesquelles pourraient compromettre le fonctionnement du condensateur de démarrage.
7. Une pompe bifilaire n'a pas besoin de boîte de commande, les composants électriques étant intégrés au moteur. La Figure 2 illustre une installation à liaison bifilaire typique.

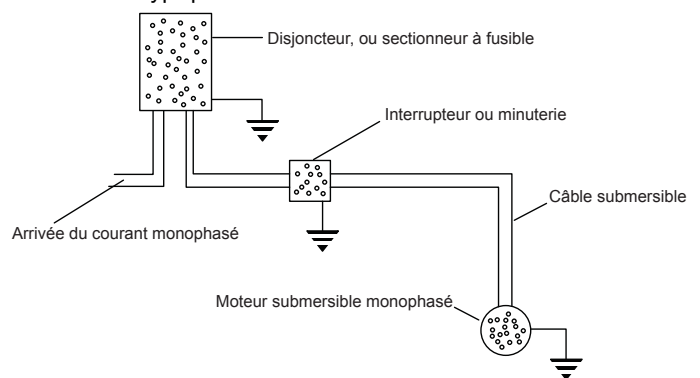


FIGURE 2
Schéma de câblage – Pompes bifilaires monophasées 1/3 à 1-1/2 CV

8. Une pompe trifilaire monophasée requiert une boîte de commande, intégrant des relais de surcharge. La Figure 3 illustre une installation à liaison trifilaire monophasée typique. Il est à noter qu'un contacteur magnétique doit être utilisé si le moteur submersible est trop puissant pour la capacité électrique du pressostat. Dans ces cas-là, le pressostat serait intégré à un circuit pilote qui régule le contacteur magnétique. Pour prévenir tout dommage au moteur, les raccordements à la boîte de commande doivent être conformes au schéma de câblage qui se trouve dans celle-ci.

Remarque : L'ordre des couleurs rouge, jaune et noir varie parfois selon la boîte de commande. Toujours marier des couleurs identiques.

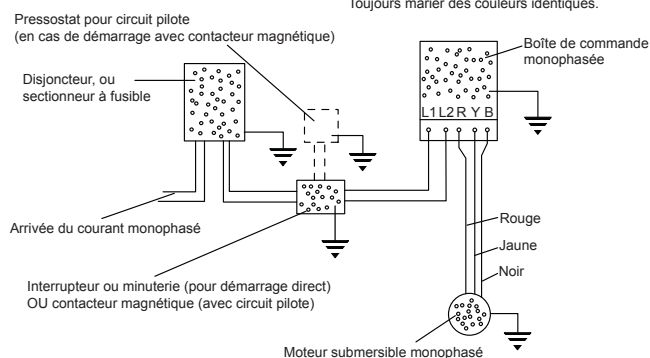


FIGURE 3
Schéma de câblage – Pompes trifilaires monophasées 1/3 à 15 CV

- Une pompe trifilaire triphasée n'a pas besoin d'une boîte de commande. La Figure 4 illustre une installation à liaison trifilaire triphasée typique. Un contacteur magnétique, avec protection tripode et relais de surcharge thermocompensés à déclenchement rapide, doit être posé.

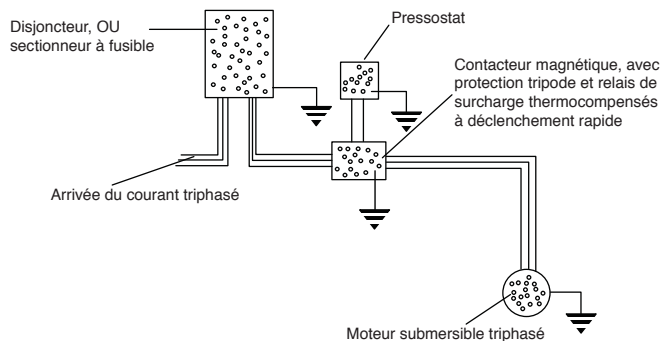


FIGURE 4
Schéma de câblage – Pompes trifilaires triphasées 1-1/1 à 50 CV

- À l'aide d'un ohmmètre, vérifier la qualité de l'isolation et la continuité du câble après l'installation de la pompe.
- Apposer la plaque signalétique supplémentaire sur l'étiquette de la pompe submersible, puis placer le tout sur le sectionneur ou disjoncteur pour consultation future.

CONTRÔLE DU PUIT

Contrôler la pompe et le puits avant de faire le dernier raccordement au circuit de refoulement.

- Poser un robinet-vanne à l'extrémité du branchement d'eau, puis l'ouvrir partiellement.
- Démarrer la pompe.
- Ouvrir de nouveau le robinet petit à petit jusqu'à un débit maximal.
- Si le refoulement n'est pas transparent, laisser la pompe en marche jusqu'à ce que l'eau soit claire. Si au bout de 30 minutes l'eau n'est toujours pas claire, arrêter la pompe et prendre les mesures correctives nécessaires. Après que l'eau semble claire, la verser dans un seau ou contenant approprié et vérifier qu'il n'y a pas de sable.
- Fermer partiellement le robinet, au débit maximum souhaité. Ce réglage devrait être conforme à la pression

de démarrage du pressostat. S'assurer que la sortie de pompe pour ce réglage n'excède pas la capacité du puits, en vérifiant l'amplitude du marnage : le niveau doit rester stable au débit maximum souhaité.

ATTENTION Ne jamais faire fonctionner la pompe si elle n'est pas entièrement submergée. Un fonctionnement à sec pourrait endommager la pompe et le moteur. À noter aussi que de l'air aspiré par la pompe pourrait causer la présence d'une poche d'air dans certaines circonstances.

FAIBLE RENDEMENT DU PUIT

Ce phénomène se produit lorsque la sortie de pompe est trop puissante pour la capacité du puits. Le niveau de l'eau au point d'aspiration peut alors baisser d'autant qu'un mélange d'air et d'eau pénètre dans la pompe. Le pompage risque d'être interrompu, puisque la pompe ne peut produire de pression s'il n'y a pas assez d'eau. Si le pompage s'arrête, l'eau prisonnière dans la colonne maintient fermé le clapet de non-retour et une poche d'air peut se former dans la pompe. Dans ces conditions, la pompe n'est plus lubrifiée ni refroidie adéquatement : si le courant n'est pas coupé dans les plus brefs délais, elle pourrait subir des dommages. Suivre au moins l'une des méthodes suivantes pour corriger ou protéger cette installation.

- Poser une rallonge de colonne descendante pour abaisser la pompe dans le puits, si cela est possible.
- Poser une Pumpotec de Franklin ou autre sonde électronique similaire de niveau.
- Poser un régulateur de niveau de liquide sans flotteur. Ce dispositif consiste en un relais électrique activé par des courants qui traversent des circuits de retour par la terre (électrodes suspendues dans le puits). L'électrode inférieure (arrêt), juste au-dessus de la pompe, la met hors tension dès que le niveau d'eau descend plus bas que la crépine d'aspiration. L'électrode supérieure (démarrage), juste en dessous du niveau naturel de l'eau, redémarre la pompe dès que le niveau approprié est rétabli. Un régulateur de niveau de liquide sans flotteur agit en série avec le pressostat. Se référer aux instructions du fabricant fournies avec le régulateur.
- Poser un robinet de réglage sur la conduite de refoulement, en amont du pressostat. La sortie de pompe sera ainsi limitée, sans affecter le débit d'eau du réservoir à pression. Néanmoins, parce qu'une forte demande d'eau pourrait vider le réservoir, il est suggéré de prévoir un réservoir équipé d'une membrane collée, d'une alvéole ou d'une vache à eau.
- Installer une pompe moins puissante, plus adaptée à la capacité du puits. (Demander au marchand de jauger la pompe selon le rendement du puits.)
- Poser un interrupteur de basse pression, ou un pressostat avec un tel interrupteur intégré. Ce dispositif empêche une pompe peu profonde de perdre son amorce, mais il ne protège pas toujours suffisamment une pompe submersible contre les conséquences liées à un surpompage du puits. En effet, ce genre d'interrupteur réagit à une chute de pression en surface, laquelle se produit parfois lorsqu'il y a une poche d'air dans la pompe. C'est pourquoi, et par

ordre d'importance, un régulateur de niveau de liquide sans flotteur ou un robinet de réglage sont plutôt recommandés contre le surpompage, de préférence à un interrupteur de basse pression.

PLOMBERIE DE REFOULEMENT

La Figure 1 illustre une installation typique avec les composants à la surface. Se référer à la Figure 1 et aux étapes suivantes lors de l'installation de la plomberie de refoulement.

1. Poser en surface un clapet de non-retour, en amont du pressostat.
2. La présence d'une soupape de décharge (ou soupape de retour) est obligatoire avec cet équipement; elle doit pouvoir évacuer l'excès de fluide à la pression de service du réservoir. Placer la soupape de décharge à proximité de ce dernier.
3. Poser un pressostat entre la soupape de décharge et le réservoir à pression. Les Figures 2, 3 et 4 illustrent un raccordement adéquat du pressostat.
4. Le réservoir à pression doit être installé aussi près que possible du pressostat. Suivre les conseils d'installation du fabricant.

INSTALLATION DANS UN LAC OU UN COURS D'EAU

Une pompe submersible est normalement isolée au fond d'un puits; les fuites à la terre du moteur et du câble sont sans danger pour la vie humaine. Cette protection naturelle est perdue lorsque la pompe se trouve dans un lac, un étang, un cours d'eau ou une fontaine : il est impossible d'empêcher les gens, ou les animaux, de toucher la masse d'eau submergeant la pompe. Il est recommandé de confier une telle installation à un électricien professionnel pour s'assurer qu'elle respecte les codes locaux et nationaux d'électricité. Une mise à la terre, conforme aux directives de ce guide d'installation, est une condition minimum de l'installation, tandis qu'un disjoncteur de fuite de terre est fortement conseillé. Demander l'aide de la compagnie d'électricité locale en cas d'absence de règlements clairs (locaux ou nationaux). Dans tous les cas, caler la pompe à un angle de 15° sur le lit de la masse d'eau (ou à partir du rivage), pour garantir une lubrification appropriée des paliers du moteur. Isoler la pompe de tout contact physique par des personnes ou des animaux. Protéger le point d'aspiration en y posant un filtre, évitant ainsi à la pompe d'être bouchée par des feuilles ou des herbes. Garder à l'esprit qu'elle requiert un niveau d'eau adéquat au-dessus du moteur pour qu'il ne surchauffe pas. Finalement, veiller à protéger l'équipement submergé : courant de l'eau, glace, bateaux, ancrs, débris, vandalisme et autres dangers.

DÉPANNAGE

1. LA POMPE REFUSE DE DÉMARRER

- a) Anomalie électrique – appeler le marchand ou un électricien
- b) Pompe mise hors tension par une sonde de niveau ou autre dispositif de protection
- c) Le disjoncteur a sauté
- d) Réarmer (s'il y en a un) l'interrupteur de basse pression

2. LA POMPE NE DONNE PAS D'EAU

- a) Poche d'air dans la pompe
- b) Crépine d'aspiration bouchée
- c) Capacité insuffisante du puits

3. DÉBIT FAIBLE PRODUIT PAR LA POMPE

- a) Capacité insuffisante du puits
- b) Pompe usée
- c) Crépine d'aspiration bouchée
- d) Tension trop faible
- e) Rotation incorrecte (triphasee uniquement)

4. CYCLES DE POMPAGE TROP FRÉQUENTS

- a) Chute de pression excessive entre le pressostat et le réservoir à pression
- b) Pression de démarrage au réservoir trop élevée
- c) Pression d'arrêt au réservoir trop faible
- d) Trop d'eau dans le réservoir
- e) Les électrodes de démarrage et d'arrêt du régulateur de niveau de liquide sont trop rapprochées
- f) Capacité insuffisante du réservoir par rapport aux exigences de l'équipement

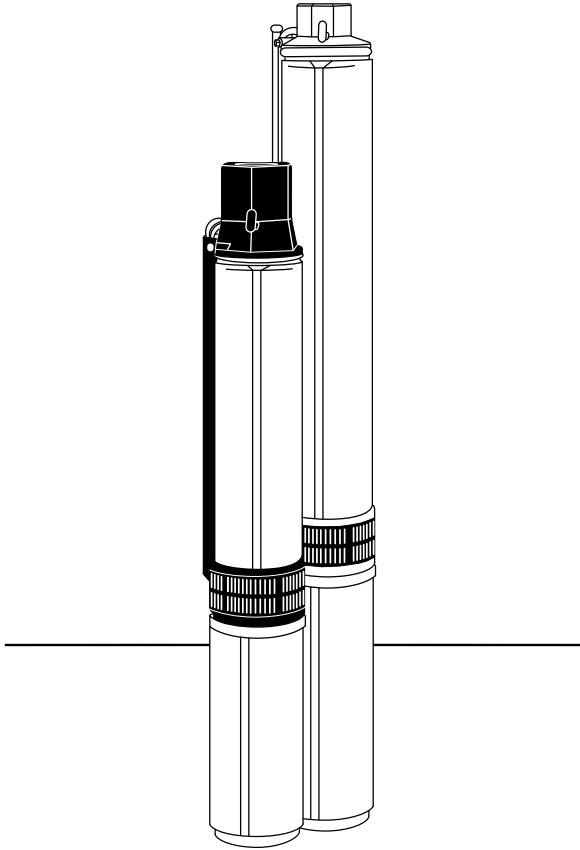
5. LE DISJONCTEUR SAUTE

- a) Anomalie électrique – appeler le marchand ou un électricien

6. LE PRESSOSTAT S'ALLUME ET S'ÉTEINT RAPIDEMENT AU DÉMARRAGE DE LA POMPE

- a) Le pressostat est trop éloigné du réservoir à pression
- b) Admission d'air incorrecte dans le réservoir – régler selon les recommandations du fabricant

4" BOMBA SUMERGIBLE MANUAL DEL PROPIETARIO



ANTES DE INSTALAR LA BOMBA, ASEGÚRESE DE LEER ATENTAMENTE ESTE MANUAL DEL PROPIETARIO.

PRECAUCIÓN Llene la bomba con agua antes de encenderla ya que de lo contrario, la bomba se dañará. El motor de esta bomba está garantizado por el fabricante. Si funciona mal, debe ser devuelto a un taller autorizado para su reparación. La garantía del motor quedará anulada si las reparaciones no son realizadas por un taller autorizado.

INSPECCION E EL ENVÍO

Examine la bomba cuando la reciba para asegurarse de que no haya sufrido ningún daño durante el envío. Si llegara a notarse algún daño, infórmelo de inmediato al distribuidor donde compró la bomba. Revise el empaque de la bomba para verificar que incluya la bomba, el motor y las conexiones del motor (si la bomba que compró incluye un motor).

Esta bomba incluye una válvula de retención de instalación incorporada o externa con el cabezal de descarga. Asegúrese de que el voltaje disponible coincida con el del motor.

LEA Y SIGA LAS INSTRUCCIONES DE SEGURIDAD

! Este es un símbolo de alerta de seguridad. Cuando vea este símbolo en la bomba o en este manual, busque una de las siguientes palabras clave y preste atención ya que hay riesgo de que se produzcan lesiones personales.

PELIGRO advierte sobre riesgos que causarán graves lesiones personales, la muerte o importantes daños a la propiedad si se ignoran.

ADVERTENCIA advierte sobre riesgos que pueden causar graves lesiones personales, la muerte o importantes daños a la propiedad si se ignoran.

PRECAUCIÓN advierte sobre riesgos que causarán o pueden causar lesiones personales leves o importantes daños a la propiedad si se ignoran.

La etiqueta de **AVISO** indica instrucciones especiales, que son importantes pero no están relacionadas con riesgos.

Lea atentamente y siga todas las instrucciones de seguridad que aparecen en este manual o en la bomba.

Mantenga las etiquetas de seguridad en buenas condiciones.

Reemplace cualquier etiqueta de seguridad faltante o dañada.

! ADVERTENCIA!



Voltaje peligroso. Puede provocar choques eléctricos, quemaduras o causar la muerte.

Conecte la bomba a tierra antes de conectarla al suministro de energía. Desconecte la energía antes de trabajar en la bomba, el motor o el tanque.

! **Cablee el motor para el voltaje correcto. Consulte la sección Información eléctrica de este manual y la placa de identificación del motor.**

! Conecte el motor a tierra antes de conectar el suministro de energía.

! Cumpla las normas correspondientes del Código eléctrico estadounidense, el Código eléctrico canadiense y de todos los códigos locales para todo el cableado.

! Siga las instrucciones de cableado en este manual cuando conecte el motor a los cables de corriente.

¡ATENCIÓN!

¡INFORMACIÓN IMPORTANTE PARA LOS INSTALADORES DE ESTE EQUIPO!

ESTE EQUIPO ESTÁ DISEÑADO PARA SER INSTALADO POR PERSONAL TÉCNICO CALIFICADO. EL NO INSTALARLO DE ACUERDO CON LOS CÓDIGOS ELÉCTRICOS NACIONALES Y LOCALES Y CON LAS RECOMENDACIONES ELÉCTRICAS

DE FRANKLIN PUEDE PROVOCAR UN CHOQUE ELÉCTRICO O RIESGO DE INCENDIO, FUNCIONAMIENTO INSATISFACTORIO Y FALLO DEL EQUIPO. LA INFORMACIÓN DE INSTALACIÓN DE FRANKLIN ELECTRIC ESTÁ DISPONIBLE EN LOS FABRICANTES Y DISTRIBUIDORES DE LA BOMBA Y DIRECTAMENTE EN FRANKLIN ELECTRIC. LLAME SIN CARGO A FRANKLIN ELECTRIC AL 800-701-7894 PARA OBTENER INFORMACIÓN. GUARDE ESTA HOJA DE INFORMACIÓN CON EL EQUIPO PARA REFERENCIA FUTURA.



EL NO CONECTAR EL MOTOR, LAS CAJAS DE CONTROL, LAS TUBERÍAS METÁLICAS Y TODAS LAS DEMÁS PIEZAS METÁLICAS CERCA DEL MOTOR O DEL CABLE AL TERMINAL DE DESCARGA DE TIERRA DEL SUMINISTRO DE ENERGÍA USANDO UN CABLE DE CALIBRE NO MENOR AL DE LOS CABLES DEL MOTOR PUEDE CAUSAR UN CHOQUE ELÉCTRICO GRAVE O MORTAL. PARA REDUCIR EL RIESGO DE CHOQUE ELÉCTRICO, DESCONECTE LA CORRIENTE ANTES DE TRABAJAR EN EL SISTEMA DE AGUA O EN TORNO AL MISMO. NO USE EL MOTOR EN ÁREAS DE NADO. **REGISTROS DE INSTALACIÓN**

Es buena idea mantener un registro preciso de su instalación. Asegúrese de registrar los siguientes datos:

Comprado en:			
Fecha de instalación:			
Modelo de la bomba*:			
Código de fecha de la bomba*:			
Diámetro interno del pozo (pulg/mm):			
Profundidad del pozo (pies/m):			
Profundidad del agua (pies/m):			
Ajuste de la bomba (pies/m):			
Tamaño del tubo de conducción:			
Tamaño del cable (de la bomba a la caja de control):			
Tamaño del cable (de la caja de control a la fuente de energía):			
Inclinación horizontal (entre el pozo y la casa):			
Marca del motor*			
Amperaje	HP	Voltaje	Fase
Marca de la caja de control			
HP	Voltaje		
Fuente de energía			
Voltaje	HZ		
Límites del interruptor de presión			
Valor de arranque (PSI)	Valor de apagado (PSI)		

*Esta información está en la etiqueta de la bomba o del motor y nos ayudará a identificar la bomba en caso de consultas posteriores.

FUNCIONAMIENTO DE PRUEBA

Si va a probar el funcionamiento de la bomba antes de la instalación:

1. Asegúrese de que la fuente de energía coincida con la que se muestra en la placa de identificación del motor y de la caja de control (si se requiere).
2. Instale la bomba y los componentes adecuados para la prueba como se muestra en la figura 1.
3. Asegúrese de que la fuente de energía esté apagada y que el cortacircuitos o interruptor de desconexión esté abierto. Haga las conexiones eléctricas adecuadas a su motor como se muestra en las figuras 2, 3 ó 4.
4. En un motor trifásico, use un arrancador magnético equipado con calentadores con compensación del ambiente de desconexión rápida del tamaño correcto para los caballos de fuerza del motor. Para asegurar una rotación correcta de las unidades trifásicas, asegure firmemente con abrazaderas la caja de la bomba y aplique energía en forma momentánea activando y desactivando rápidamente el interruptor de línea. Si la rotación es la correcta, la reacción de la caja será en sentido horario cuando se mira desde el lado de descarga de la bomba (es decir, el eje de la bomba girará en sentido antihorario). Intercambie los dos conectores del arranque magnético para invertir la rotación.
5. Haga funcionar la unidad del motor y la bomba durante algunos segundos para asegurarse de que esté funcionando correctamente.

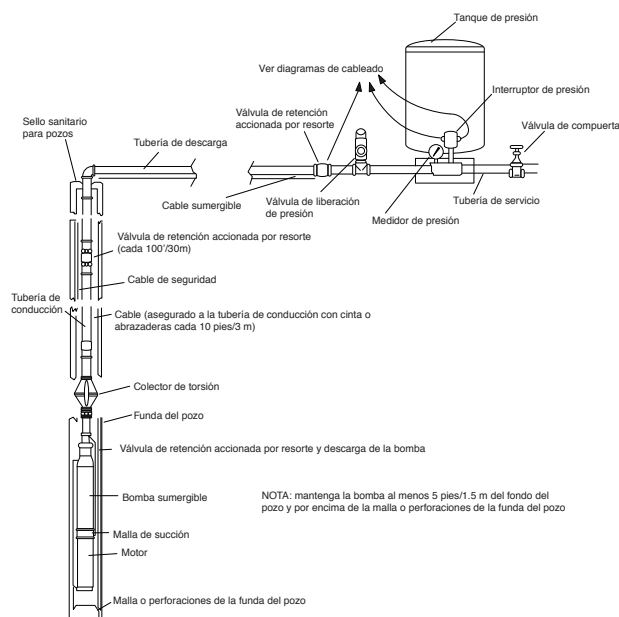


Figura 1
Diagrama de instalación

IDONEIDAD DEL POZO

Instale la bomba únicamente en un pozo que se haya desarrollado adecuadamente. El agua de un pozo sin desarrollar a menudo contiene una cantidad excesiva

de arena, suciedad y abrasivos que pueden dañar a la bomba. Verifique que el pozo sea lo suficientemente grande como para permitir que la bomba se instale a la profundidad requerida. No instale la bomba por debajo de las perforaciones de la funda o de la malla del pozo a menos que haya hecho arreglos para asegurar un flujo de agua adecuado encima del motor para el enfriamiento del mismo. Determine la instalación correcta de la bomba basándose en el registro del perforador, tomando en cuenta el nivel de agua estática y el descenso del nivel a la velocidad de bombeo propuesta. Mantenga la bomba al menos a cinco pies del fondo de un pozo perforado.

EMPALME DE LOS CABLES DE ENERGÍA

Siga las instrucciones que se adjuntan en el juego de empalme del cable (se compra por separado).

TUBO DE CONDUCCIÓN

Siempre siga las pautas de uso del fabricante del tubo de bajada sumergible al suspender una bomba sumergible en un pozo. Generalmente, se utilizan tubos de bajada de plástico o acero galvanizado para la bomba. Al utilizar tuberías de plástico, es importante cumplir con la clasificación de presión y profundidad del fabricante.

1. Un cable de seguridad para evitar la pérdida de la bomba si se llegara a romper la tubería.
2. Un colector de torsión justo por encima de la bomba para evitar el desgaste del cable cuando la bomba y la tubería giren durante el ciclo de arranque y parada. (Vea la figura 1.)

Una tubería galvanizada cédula 40 es adecuada para instalaciones a 600 pies (180 m). Para instalaciones más profundas, use una tubería cédula 40 para los últimos 600 pies (180 m) y listado 80 para el resto.

AVISO: Las profundidades de uso y los tamaños de los tubos de bajada deben considerarse solo como pautas generales. Las recomendaciones y los datos del fabricante del tubo de bajada prevalecen sobre estas instrucciones.

Tenga especial cuidado de mantener las tuberías limpias y libres de guijarros, incrustaciones y rebabas. Haga conexiones firmes y herméticas en todos los acoples. Se recomienda el uso de sellador para tuberías.

VÁLVULAS DE RETENCIÓN

Se recomienda usar una o más válvulas en instalaciones de bombas sumergibles. Si la bomba no tiene una válvula check incluida, ésta debe instalarse en la línea de descarga sin sobrepasar los 25 pies de distancia de la bomba. Si está permitido por leyes locales, se recomienda instalar otra válvula check entre la entrada al pozo y el tanque de presión del sistema de bombeo. Para instalaciones de bombeo con más de 200 pies (60m) de profundidad, válvulas check adicionales deben de ser instaladas en la pipa de salida. Esto debe de ser hecho en intervalos de 200 pies (60m) o en el intervalo especificado del fabricante de la válvula check. Frecuentemente se necesita más de una válvula check, sin embargo, no se debe de sobrepasar el número recomendado de válvulas check. Válvulas check de tipo columpio no son aceptadas y nunca deberán ser usadas con motores/ bombas sumergibles. Las válvulas tipo columpio tienen un tiempo de reacción más lento y puede causar un golpe de ariete (ver en siguiente página). Válvulas check internas o en la tubería cierran rápido, lo que evita el golpe de ariete. Las

válvulas check son usadas para mantener la presión en un sistema cuando la bomba se detiene. También previenen el giro en reversa de la bomba, protegen del golpe de ariete y sobrecarga. Todos estos acontecimientos pueden causar fallas en la bomba y/o motor.

NOTA: Sólo Se deben de usar válvulas check con sello positivo en instalaciones sumergibles. Aún drenando la válvula check o al usar válvulas check de drenado se puede prevenir el giro inverso

A. Giro Inverso – Sin válvula check o una válvula check con fallas, el agua en las tuberías del sistema de bombeo puede fluir de regreso en la tubería de descarga cuando el motor para. Esto puede causar que la bomba rote en dirección inversa. Si el motor se enciende mientras la bomba está girando en dirección inversa, una fuerza excesiva se ejerce en la conexión entre la bomba y el motor, lo que puede causar daños en los impulsores, rotura de la flecha, un gasto excesivo en la chumacera, etc.

B. Sobrecarga – Sin una válvula check o alguna otra herramienta que tenga la misma función la unidad enciende debajo de una condición de cero carga. Esto causa una sobrecarga en los impulsores de la bomba. Este movimiento se resiente en el acople entre la bomba y el motor y crea una condición de sobrecarga en el motor. Varias sobrecargas pueden causar daño prematuro en ambos el motor y la bomba.

C. Golpe de Ariete – Si la válvula check se encuentra a más de 30 pies sobre el nivel estático más bajo del agua, se crea un vacío en la tubería de descarga. En el siguiente arranque de la bomba, el agua llena el espacio a una gran velocidad y golpea la válvula check y las tuberías, creando un shock hidráulico. Esto puede causar rotura de tuberías, daños en la bomba y/o el motor. El golpe de ariete puede ser sentido o escuchado. Cuando se descubre, el sistema debe de ser apagado y el instalador debe ser contactado para poder corregir el problema.

VÁLVULA DE RETENCIÓN DE ASIENTO CÓNICO REMOVIBLE

Las bombas sumergibles de 4 pulg (101.6 mm) con una descarga de 1-1/4 (3.75 mm) pulg se proporcionan con un ensamble de válvula de retención de asiento cónico removible de accionamiento por resorte. Esta válvula de retención se puede quitar de la descarga de la bomba cuando se desea el drenaje.

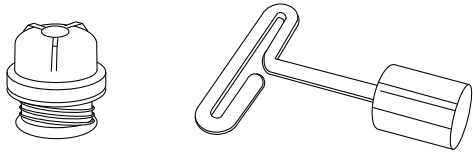


ADVERTENCIA

El líquido que regresa a la bomba puede hacer que la bomba gire hacia atrás. Si la bomba o el motor arrancan en este momento, se puede dañar la bomba.

La válvula de retención se puede quitar usando una llave para válvula con mango en T (se compra por separado) o pinzas de punta fina estándar. El ensamble del asiento cónico tiene el roscado hacia la izquierda y se quita girando en sentido horario (hacia la derecha).

Cuando vuelva a instalar la válvula de retención de asiento cónico, apriétela a una torsión de 15 pulgadas-libras (1.69 Nm).



Ensamble del asiento cónico Llave para válvula con mango en T

INSTALACIÓN DE LA BOMBA, LA TUBERÍA DE CONDUCCIÓN Y EL EQUIPO ASOCIADO

La figura 1 ilustra una instalación de pozo típica mostrando los componentes dentro del suelo. Cumpla los siguientes pasos cuando instale la bomba y la tubería de conducción:

1. Ajuste el cable sumergible a la tubería de conducción usando abrazaderas o cinta adecuada cada 10 pies (3 m) para evitar que el cable se enrede y se dañe. El cable debe permanecer holgado cuando use una tubería de conducción de plástico para permitir el estiramiento de la tubería cuando se instala en el pozo.
2. Tenga cuidado de no raspar ni pellizcar el cable sumergible contra las paredes del pozo.
3. Use un ohmiómetro o megaohmetro para realizar las verificaciones de aislamiento y continuidad en el cable una vez que la bomba esté instalada. Esto localiza cualquier falla en el cable.
4. Asegúrese de que haya instalada una válvula de retención inmediatamente por encima de la bomba. Instale válvulas de retención adicionales a intervalos de 100 pies (30 m) de acuerdo con las pautas incluidas en este manual.
5. Instale un colector de torsión justo por encima de la bomba para evitar el desgaste del cable cuando la bomba y la tubería giren durante el arranque y la parada.
6. Instale un cable de seguridad a la bomba para evitar la pérdida de la bomba si se llegara a romper la tubería.
7. Coloque un sello sanitario para pozos o adaptador deslizante de derivación con una cubierta aprobada para la parte superior del pozo, según las recomendaciones de los fabricantes.
8. Mantenga la bomba al menos 5 pies (1.5 m) desde el fondo del pozo y por encima de la malla del pozo o perforaciones de la funda.

INFORMACIÓN ELÉCTRICA

1. Contrate a un electricista certificado para realizar el cableado. Todo el cableado se deberá realizar de acuerdo con los códigos eléctricos nacionales y locales vigentes.
2. Verifique que la fuente de energía coincida con la corriente nominal del motor sumergible y de la caja de control (si se requiere). Asegúrese de que la corriente nominal de la caja de control coincida con la corriente nominal del motor.
3. Cada instalación en particular requiere un interruptor de desconexión con fusible o un cortacircuitos.
4. Todas las instalaciones deben estar conectadas a tierra. Debe haber una conexión de descarga a tierra confiable entre la bomba y el panel de distribución. Las conexiones del motor incorporan un conductor verde para la conexión de descarga a tierra.
5. Los pararrayos se recomiendan para todas las instalaciones. Todos los motores monofásicos de acero inoxidable

de hasta 5 CV tienen pararrayos incorporados. Los motores trifásicos requieren que se instale un pararrayos independiente lo más cerca posible de la cabeza del pozo. Instale el pararrayos de acuerdo con las recomendaciones del fabricante. Los pararrayos proporcionan protección únicamente contra sobretensiones inducidas en líneas de energía secundarias, no son eficaces contra impactos directos.

6. Instale la caja de control en un área protegida de la lluvia, la nieve, la luz solar directa y otras fuentes de alta temperatura ya que esto puede provocar que el protector de sobrecarga se dispare. También proteja la caja de control del frío extremo (menos de 25 °F/-32 °C) ya que esto puede tener efectos adversos sobre el condensador de arranque.
7. Una bomba de dos cables no requiere una caja de control del motor; todos los componentes eléctricos están incluidos dentro del motor. La figura 2 muestra un diagrama de cableado típico para una instalación de dos cables.

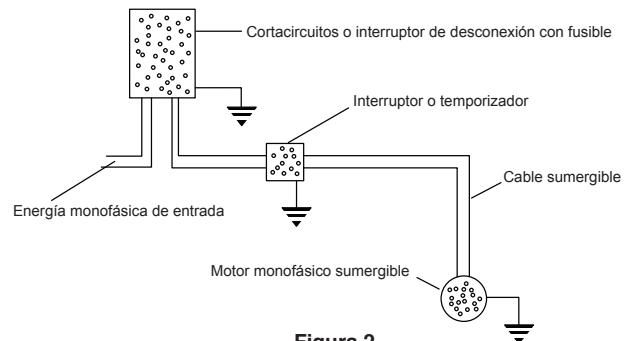


Figura 2
Diagrama de cableado de una bomba monofásica de 2 cables, 1/3 a 1-1/2 HP

8. Una bomba monofásica de tres cables requiere una caja de control del motor que incorpore relés de sobrecarga. La figura 3 muestra un diagrama de cableado típico para una instalación monofásica de tres cables. Tenga en cuenta que se debe usar un contactor magnético si la corriente nominal del interruptor de presión no es suficiente para manejar la corriente nominal del motor sumergible. El interruptor de presión debería ser entonces incorporado en un circuito piloto para controlar el contactor magnético. Realice las conexiones en la caja de control de acuerdo con el diagrama de cableado que se encuentra en la caja de control para evitar daños al motor.

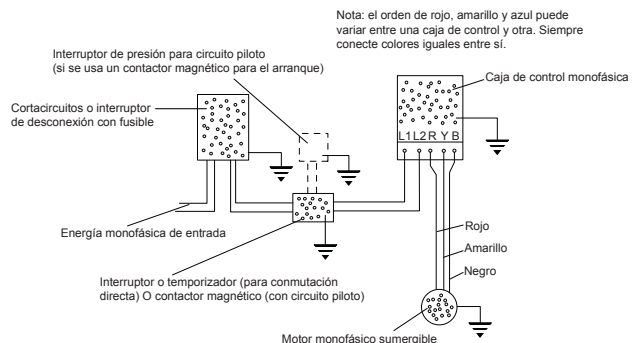


Figura 3
Diagrama de cableado de una bomba monofásica de 3 cables, 1/3 a 15 HP

9. Una bomba trifásica de tres cables no requiere una caja de control del motor. La figura 4 muestra un diagrama de cableado típico para una instalación trifásica de tres cables. Se debe usar un contactor magnético con protección de tres clavijas y relés de sobrecarga de compensación ambiente de disparo rápido.

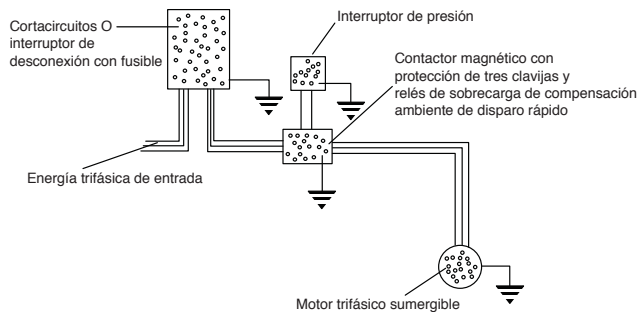


Figura 4
Diagrama de cableado de una bomba trifásica de 3 cables, 1-1/2 a 50 HP

10. Use un ohmiómetro para realizar verificaciones de continuidad y aislamiento después de completada la instalación.
11. Coloque la placa adicional de identificación de la bomba sobre la etiqueta sumergible y coloque ambas sobre el interruptor de desconexión o la caja de cortacircuitos para referencia futura.

PRUEBA DEL POZO

Compruebe el rendimiento de la bomba y el pozo antes de llevar a cabo la conexión final del sistema de descarga.

1. Instale una válvula de compuerta en el extremo de la tubería. Abra parcialmente la válvula.
2. Arranque la bomba.
3. Abra la válvula gradualmente para dar un flujo completo.
4. Si el agua de descarga está turbia, deje funcionar la bomba hasta que el agua se aclare. Si el agua no se aclara en 30 minutos, detenga la bomba y tome los pasos necesarios para corregir este problema. Después de que el agua salga transparente, compruebe que no haya arena, recogiendo el agua en un balde limpio u otro recipiente adecuado.
5. Cierre la válvula hasta lograr el máximo caudal del sistema requerido. Esto debería corresponder a la presión de corte del interruptor de presión. Asegúrese de que la salida de la bomba en este valor no sea mayor que el rendimiento del pozo. Esto se puede comprobar controlando el nivel de descenso del pozo y asegurándose de que el nivel se mantenga estable con el máximo caudal del sistema requerido.

PRECAUCIÓN Nunca haga funcionar la bomba a menos que esté totalmente sumergida en el agua. Si funciona sin agua, la bomba y el motor se podrían dañar. También tenga en cuenta que el aire succionado hacia la bomba podría provocar una disminución o parada del flujo debido a una bolsa de aire en ciertas circunstancias.

POZO DE BAJO RENDIMIENTO

Un pozo de bajo rendimiento existe cuando la salida de la bomba es mayor que el rendimiento del pozo. Puede reducir el nivel de agua hasta la malla de succión provocando que entre una mezcla de aire y agua a la bomba. El bombeo puede detenerse debido a que la bomba no puede generar presión con una cantidad de agua insuficiente. En este caso, la columna de agua que ya se encuentra en la tubería de conducción mantiene cerrada la válvula de retención y se puede desarrollar una bolsa de aire dentro de la bomba. Debido a que estas condiciones no aseguran una lubricación adecuada de la bomba ni un enfriamiento adecuado del motor, se pueden provocar daños si la corriente no se corta rápidamente. Use uno o más de los siguientes métodos para corregir y/o proteger esta instalación.

1. Instale un largo adicional de tubería de conducción para colocar la bomba más abajo en el pozo, si fuera posible.
2. Instale un sensor Franklin Pumptec o sensor electrónico de nivel de agotamiento similar.
3. Instale un control de nivel de líquido sin flotador. Este dispositivo consiste de un relé eléctrico activado por las corrientes que fluyen a través de los circuitos de retorno a tierra de los electrodos colgados en el pozo. El electrodo más bajo (parada), justo encima de la bomba, asegura que el nivel del agua nunca pueda ser bombeado hasta la malla de succión. El electrodo superior (arranque), justo debajo del nivel de agua estática más bajo, asegura que la bomba pueda arrancar nuevamente en cuanto se recupere el pozo. Este control de nivel de líquido sin flotador funciona en serie con el interruptor de presión. Consulte las instrucciones del fabricante proporcionadas con el control.
4. Instale una válvula de control de flujo en la línea de descarga corriente arriba del interruptor de presión. Esto limita la salida de la bomba sin afectar la velocidad con la que se puede succionar el agua desde el tanque de presión. Sin embargo, una gran demanda de agua podría vaciar el tanque de presión, por lo que se recomienda un tanque con un diafragma ligado, cámara de aire o bolsa de agua.
5. Instale una bomba más pequeña para evitar el bombeo excesivo del pozo. Haga que el vendedor adecue el tamaño de la bomba de acuerdo al rendimiento del pozo.
6. Instale un interruptor de corte por baja presión o un interruptor de presión con dicha disposición incorporada. Esto evita que una bomba de pozo de poca profundidad se descebe, pero no siempre proporciona una protección satisfactoria para una bomba sumergible contra los efectos de un bombeo excesivo del pozo. Esto se debe a que responde a la pérdida de presión en la superficie, lo que puede ocurrir después de haberse formado una bolsa de aire dentro de la bomba. Se recomienda ya sea un control de nivel de líquido sin flotador o una válvula de control de flujo en lugar de un interruptor de corte por baja presión como protección contra el bombeo excesivo.

TUBERÍA DE DESCARGA

La figura 1 ilustra una instalación de pozo típica mostrando los componentes encima del suelo. Consulte la figura 1 y los pasos siguientes cuando instale la tubería de descarga.

1. Instale una válvula de retención sobre el nivel del suelo corriente arriba desde el interruptor de presión.
2. Siempre instale una válvula de alivio de presión en el sistema. La válvula de alivio de presión debería ser capaz de descargar el caudal de la bomba a la presión de trabajo nominal para el tanque de presión. Ubique la válvula de alivio de presión cerca del tanque de presión.
3. Instale un interruptor de presión entre la válvula de retención y el tanque de presión. Consulte las figuras 2, 3 ó 4 para las conexiones adecuadas de cableado para el interruptor de presión.
4. Instale un tanque de presión lo más cerca posible del interruptor de presión. Consulte las recomendaciones del fabricante para su instalación.

INSTALACIÓN EN UN LAGO O CORRIENTE DE AGUA

Generalmente una bomba sumergible está aislada en el fondo de un pozo, donde las fugas eléctricas de su motor y su cable no representan un riesgo para la vida. Esta protección natural se pierde cuando se instala en un lago, laguna, río, arroyo o fuente ya que no hay forma de evitar que las personas y animales ingresen o toquen el agua que la rodea. Se recomienda que dicha instalación sea realizada por un electricista certificado de acuerdo con todos los códigos eléctricos nacionales y locales. La conexión de descarga a tierra tal como se describe en este manual es una exigencia mínima, y se recomienda el uso de un interruptor con protección contra fuga a tierra (GFCI). Pero en la ausencia de regulaciones explícitas nacionales o locales, consulte al proveedor de servicios públicos de electricidad para obtener asesoramiento. En cualquier caso, apoye la bomba en la costa o fondo a una inclinación de 15° para asegurar una adecuada lubricación de los cojinetes del motor. Proteja la bomba contra el contacto físico directo de personas y animales. Proteja e instale una malla en la entrada de la bomba para evitar que se obstruya con hojas y hierbas, pero recuerde la necesidad de un flujo de agua adecuado sobre el motor para su enfriamiento. Además proteja toda la instalación debajo del agua contra corrientes de agua, hielo, embarcaciones, anclas, desperdicios, vandalismo y otros riesgos.

DETECCIÓN Y SOLUCIÓN DE PROBLEMAS

1. LA BOMBA NO ARRANCA

- a) Problema eléctrico – llame al vendedor o a un electricista
- b) El dispositivo de protección de agotamiento apagó la bomba
- c) Disparo por sobrecarga
- d) Reajuste el interruptor de corte por baja presión (si está instalado)

2. LA BOMBA NO SUMINISTRA AGUA

- a) Bolsa de aire en la bomba
- b) Malla de entrada obstruida
- c) Rendimiento insuficiente del pozo

3. LA SALIDA DE LA BOMBA ES REDUCIDA

- a) Rendimiento insuficiente del pozo
- b) Bomba desgastada
- c) Malla de entrada obstruida
- d) Voltaje bajo
- e) Rotación incorrecta (sólo en trifásicas)

4. LA BOMBA SE ENCIENDE Y APAGA CON DEMASIADA FRECUENCIA

- a) Caída excesiva de presión entre el interruptor de presión y el tanque de presión
- b) La presión de corte en el tanque de presión es demasiado alta
- c) La presión de corte en el tanque de presión es demasiado baja
- d) Tanque de presión inundado
- e) Los electrodos de arranque y parada del control de nivel de líquido sin flotador están demasiado cerca entre sí
- f) El tamaño del tanque es demasiado pequeño para cumplir con los requisitos del sistema

5. DISPARO POR SOBRECARGA

- a) Problema eléctrico – llame al vendedor o a un electricista

6. EL INTERRUPTOR DE PRESIÓN SE ENCIENDE Y APAGA MUY RÁPIDO CUANDO ARRANCA LA BOMBA

- a) El interruptor de presión está demasiado lejos del tanque de presión
- b) Carga de aire inadecuada del tanque - ajuste según las recomendaciones del fabricante

LIMITED WARRANTY
THIS WARRANTY SETS FORTH THE COMPANY'S SOLE OBLIGATION AND PURCHASER'S EXCLUSIVE REMEDY FOR DEFECTIVE PRODUCT.

Franklin Electric Company, Inc. and its subsidiaries (hereafter "the Company") warrants that the products accompanied by this warranty are free from defects in materials or workmanship of the Company that exist at the time of sale by the Company and which occur or exist within the applicable warranty period. Any distributor, sub-distributor, recipient, end-user and/or consumer agrees that by accepting the receipt of the products, the distributor, sub-distributor, recipient, end user and/or consumer expressly agrees to be bound by the terms of the warranty set forth herein.

I. Applicable Warranty Period

The products accompanied by this warranty shall be covered by this Limited Warranty for a period of 12 months from the date of original purchase by the consumer. In the absence of suitable proof of purchase date, the warranty period of this product will begin to run on the product's date of manufacture.

II. Instructions Applicable to this Limited Warranty

1. Consumers wishing to submit a warranty claim must return the products accompanied by this warranty to the point of purchase for warranty consideration.
2. Upon discovery of a defect, any personal injury, property damage or any other type of resulting damage, if applicable, shall be reasonably mitigated to the extent possible.
3. At its discretion, the Company may inspect products either at its facilities or in the field, and after determination of a warranty claim, will, at its option, repair or replace defective parts. Repaired or replaced parts will be returned freight prepaid by the Company.
4. This warranty policy does not cover any labor or shipping charges. The Company shall not be liable for any costs or charges attributable to any product testing, maintenance, installation, repair or removal, or for any tools, supplies, or equipment needed to install, repair, or remove any product.

III. Limitations Applicable to this Limited Warranty

THIS WARRANTY DOES NOT APPLY TO ANY OF THE FOLLOWING:

1. Any product that is not installed, applied, maintained and used in accordance with the Company's published instructions, applicable codes, applicable ordinances and/or with generally accepted industry standards.
2. Any product that has been subject to misuse, misapplication, neglect, alteration, accident, abuse, tampering, acts of God (including lightning), acts of terrorism, acts of war, fire, improper storage or installation, improper use, improper maintenance or repair, damage or casualty, or to an excess of the recommended maximums as set forth in the product instructions.
3. Any product that is operated with any accessory, equipment, component, or part not specifically approved by the Company.
4. Use of replacement parts not sold by the Company, the unauthorized addition of non-Company products to other Company products, and the unauthorized alteration of Company products.
5. Products damaged by normal wear and tear, normal maintenance services and the parts used in connection with such service, or any other conditions beyond the control of the Company.

6. Any product that has been used for purposes other than those for which it was designed and manufactured.
7. Any use of the product where installation instructions and/or instructions for use were not followed.

The Company reserves the right at any time, and from time to time, to make changes in the design and/or improvements upon its product without thereby imposing any obligation upon itself to make corresponding changes or improvements in or upon its products already manufactured and/or previously sold. The Company further reserves the right to substitute parts or components of substantially equal quality in any warranty service required by operation of this Limited Warranty.

This written Limited Warranty is the entire warranty authorized and offered by the Company. There are no warranties or representations beyond those expressed in this document.

THIS WARRANTY AND REMEDY IS IN LIEU OF ALL OTHER WARRANTIES AND REMEDIES INCLUDING WITHOUT LIMITATION, WARRANTIES OF MERCHANTABILITY AND/OR FITNESS FOR A PARTICULAR PURPOSE, WHICH ARE HEREBY SPECIFICALLY DISCLAIMED AND EXPRESSLY EXCLUDED. CORRECTION OF NON-CONFORMITIES, IN THE MANNER AND FOR THE PERIOD OF TIME AS SET FORTH ABOVE, SHALL CONSTITUTE FULFILLMENT OF ALL LIABILITY OF THE COMPANY TO THE PURCHASER WHETHER BASED ON CONTRACT, NEGLIGENCE, OR OTHERWISE.

THE COMPANY SHALL NOT BE LIABLE FOR INCIDENTAL, CONSEQUENTIAL OR SPECIAL DAMAGES SUCH AS, BUT NOT LIMITED TO:

DAMAGE TO OR LOSS OF OTHER PROPERTY OR EQUIPMENT, LOSS OF USE OF EQUIPMENT, FACILITIES OR SERVICE, LOSS OF PROFIT OR SALES, COST OF PURCHASES OR REPLACEMENT GOODS, CLAIMS OF CUSTOMERS OF THE PURCHASER, FAILURE TO WARN AND/OR INSTRUCT, LOSS OF OTHER PRODUCTS, OR COSTS OF ENVIRONMENTAL REMEDIATION, OR DIMINUTION IN PROPERTY VALUE. THE REMEDIES OF THE PURCHASER SET FORTH HEREIN ARE EXCLUSIVE, AND THE LIABILITY OF THE COMPANY SHALL NOT, EXCEPT AS EXPRESSLY PROVIDED HEREIN, EXCEED THE PRICE OF THE PRODUCTS UPON WHICH SUCH LIABILITY IS BASED. DAMAGES AS SET FORTH IN THIS PARAGRAPH SHALL BE REASONABLY MITIGATED TO THE EXTENT POSSIBLE. THIS PARAGRAPH SHALL ALSO APPLY TO ALL DAMAGES RESULTING FROM CONDITIONS SET FORTH IN SECTION III ABOVE AND (1) DEFECTS IN PRODUCT PROTOTYPES OR REPLACEMENT PART PROTOTYPES THAT HAVE NOT BEEN PUT INTO PRODUCTION, CIRCULATED AND SOLD BY THE COMPANY, AND/OR (2) DEFECTS THAT WERE NOT FOUND AT THE TIME OF SALE DUE TO SCIENTIFIC AND TECHNOLOGICAL REASONS.

This Limited Warranty gives you specific legal rights. You may have other rights, which vary according to the applicable laws and regulations. Where any term of this warranty is prohibited by such laws, it shall be null and void, but the remainder of this warranty shall remain in full force and effect.

DISCLAIMER: Any oral statements about the product made by the seller, the Company, the representatives or any other parties, do not constitute warranties, shall not be relied upon by the user, and are not part of the contract for sale. Seller's and the Company's only obligation, and buyer's only remedy, shall be the replacement and/or repair by the Company of the product as described above. Before using, the user shall determine the suitability of the product for his intended use, and user assumes all risk and liability whatsoever in connection therewith.

GARANTIE LIMITÉE
LA PRÉSENTE GARANTIE ÉNONCE LA SEULE
OBLIGATION DE LA SOCIÉTÉ ET LE RECOURS
EXCLUSIF DE L'ACHETEUR POUR UN PRODUIT
DÉFECTUEUX.

Franklin Electric Company, Inc et ses filiales (ci-après « la Société ») garantit que les produits accompagnés de cette garantie sont exempts de défauts de matériaux ou de fabrication de la Société existant au moment de la vente par la Société et qui se produisent ou existent pendant la période de garantie applicable. Tout distributeur, sous-distributeur, destinataire, utilisateur final et/ou consommateur, en acceptant la réception des produits, convient que le distributeur, sous-distributeur, destinataire, utilisateur final et/ou consommateur accepte expressément d'être lié par les termes de la garantie qui y sont énoncés.

I. Période de Garantie Applicable

Les produits accompagnés par cette garantie doivent être couverts par cette Garantie Limitée pour une période de 12 mois à compter de la date d'achat originale par le consommateur. En l'absence de preuves concrètes de la date d'achat, la période de garantie de ce produit commencera à partir de la date de fabrication du produit.

II. Instructions Applicables à cette Garantie Limitée

1. Les consommateurs qui souhaitent soumettre une réclamation de garantie doivent retourner les produits avec cette garantie au point de vente pour considération de garantie.
2. En cas de découverte d'un défaut, une lésion corporelle, un dommage matériel ou tout autre type de dommages en résultant, le cas échéant, doivent être raisonnablement atténués dans la mesure du possible.
3. À sa discrétion, la Société peut inspecter les produits, soit à ses installations, soit au site, et après détermination d'une réclamation de garantie, à sa discrétion, fera réparer ou remplacer les pièces défectueuses. Les pièces réparées ou remplacées seront retournées avec frais de transport prépayés par la Société.
4. Cette politique de garantie ne couvre pas les frais de main d'oeuvre ou d'expédition. La Société ne sera pas responsable des coûts ou des frais imputables à tout essai, entretien, installation, réparation ou enlèvement de produit, ou pour tout outil, fourniture, ou équipement nécessaire pour installer, réparer ou enlever tout produit.

III. Limitations Applicables à cette Garantie Limitée

CETTE GARANTIE NE S'APPLIQUE PAS AUX SUIVANTS :

1. Tout produit qui n'est pas installé, appliqué, entretenu et utilisé conformément aux instructions publiées par la Société, aux codes et règlements applicables en vigueur et/ou aux normes généralement acceptées de l'industrie.
2. Tout produit qui a fait l'objet d'une utilisation anormale, d'une mauvaise application, de négligence, d'altération, d'accident, d'abus, de modification, d'actes de Dieu (y compris la foudre), d'actes de terrorisme, d'actes de guerre, d'incendie, d'un mauvais entreposage ou installation, d'une mauvaise utilisation, d'un mauvais entretien ou d'une mauvaise réparation, de dommages ou pertes, ou d'une utilisation au-delà des maximums recommandés, comme énoncés dans les instructions du produit.
3. Tout produit qui est utilisé avec un accessoire, matériel, composant, ou pièce non expressément agréés par la Société.

4. L'utilisation de pièces de rechange non vendues par la Société, l'addition non autorisée de produits ne provenant pas de la Société à d'autres produits de la Société, et la modification non autorisée des produits de la Société.
5. Les produits endommagés par l'usure normale, les services habituels d'entretien et les pièces utilisées dans le cadre de ces services, ou toute autre condition hors du contrôle de la Société.
6. N'importe quel produit qui a été utilisé à des fins autres que celles pour lesquelles il a été conçu et fabriqué.
7. Toute utilisation du produit pour laquelle les instructions d'installation et/ou les instructions d'utilisation n'ont pas été suivies.

La Société se réserve le droit, à tout moment, et de temps à autre, d'apporter des changements à la conception et/ou des améliorations à ses produits sans pour autant imposer une quelconque obligation sur elle-même d'apporter des modifications ou des améliorations correspondantes dans ou sur ses produits déjà fabriqués et/ou déjà vendus. La Société se réserve également le droit de remplacer des pièces ou des composants d'une qualité sensiblement égale dans tout service de garantie exigé par l'exécution de cette Garantie Limitée.

Cette Garantie Limitée écrite est l'entière garantie autorisée et offerte par la Société.

Il n'existe aucune garantie ou représentations autres que celles exprimées dans ce document.

CETTE GARANTIE ET CE RECOURS SONT EN LIEU ET PLACE DE TOUTES LES AUTRES GARANTIES ET RECOURS Y COMPRIS, SANS S'Y LIMITER, AUX GARANTIES DE VALEUR MARCHANDE ET/OU D'ADAPTATION À UN USAGE PARTICULIER, QUI SONT ICI SPECIFIQUEMENT REJETES ET EXPRESSEMENT EXCLUS. LA CORRECTION DES NON-CONFORMITÉS, DE LA FACON ET POUR LA PÉRIODE DE TEMPS COMME ÉNONCÉES CI-DESSUS, CONSTITUE LA RÉALISATION DE TOUTE LA RESPONSABILITÉ DE LA SOCIÉTÉ ENVERS L'ACHETEUR QUE CELA SOIT SUR LA BASE D'UN CONTRAT, D'UNE NÉGLIGENCE OU AUTRE.

LA SOCIÉTÉ NE SERA PAS RESPONSABLE DES DOMMAGES DIRECTS, INDIRECTS OU SPÉCIAUX COMME, MAIS SANS S'Y LIMITER :

DOMMAGES A OU PERTES D'AUTRES BIENS OU EQUIPEMENTS, PERTE D'UTILISATION D'EQUIPEMENT, INSTALLATIONS OU SERVICES, PERTE DE BÉNÉFICES OU DE VENTES, COUT D'ACHATS OU DE PRODUITS DE RECHANGE, RECLAMATIONS DES CLIENTS DE L'ACHETEUR, OMISSION D'AVERTIR ET/OU DE NOTIFIER, PERTE D'AUTRES PRODUITS, OU COUTS D'ASSAINISSEMENT DE L'ENVIRONNEMENT, OU DIMINUTION DE LA VALEUR DE LA PROPRIÉTÉ. LE RECOURS DE L'ACHETEUR ÉNONCÉ DANS LE PRÉSENT DOCUMENT EST EXCLUSIF ET LA RESPONSABILITÉ DE LA SOCIÉTÉ NE PEUT EXCÉDER, SAUF STIPULATION CONTRAIRE EXPRESSE, LE PRIX DES PRODUITS SUR LESQUELS CETTE RESPONSABILITÉ REPOSE. LES DOMMAGES COMME ÉNONCÉS DANS CE PARAGRAPHE DOIVENT ÊTRE RAISONNABLEMENT ATTENUÉS DANS LA MESURE DU POSSIBLE. CE PARAGRAPHE S'APPLIQUERA ÉGALEMENT A TOUS LES DOMMAGES RESULTANT DES CONDITIONS ÉNONCÉES DANS LA SECTION III CI-DESSUS ET (1) AUX DÉFAUTS DANS LES PROTOTYPES DE PRODUIT OU LES PROTOTYPES DE PIÈCE DE RECHANGE QUI N'ONT PAS ÉTÉ MIS EN PRODUCTION, DISTRIBUÉS ET VENDUS PAR LA SOCIÉTÉ, ET / OU (2) AUX DÉFAUTS QUI N'ONT PAS ÉTÉ TROUVÉS AU MOMENT DE LA VENTE POUR DES RAISONS SCIENTIFIQUES ET TECHNOLOGIQUES.

Cette Garantie Limitée vous donne des droits légaux spécifiques. Vous pouvez avoir d'autres droits, qui varient selon les lois et règlements

aplicables. Si toute stipulation de cette garantie est interdite par ces lois, elle sera nulle et sans effet, mais le reste de la présente garantie demeurera en vigueur.

AVIS DE NON-RESPONSABILITE: Les déclarations orales concernant le produit effectuée par le vendeur, la Société, les représentants ou toutes autres parties, ne constituent pas une garantie. L'utilisateur ne doit pas s'y fier, et elles ne font pas partie du contrat de vente. La seule obligation du vendeur et de la Société, et l'unique recours de l'acheteur, est le remplacement et/ou la réparation du produit par la Société selon les modalités décrites précédemment. Avant l'utilisation, l'utilisateur doit déterminer l'aptitude du produit pour son utilisation prévue, et l'utilisateur assume tous les risques et la responsabilité dans n'importe quel cadre avec lequel le produit sera associé.

GARANTIA LIMITADA

ESTA GARANTÍA ESTIPULA LA ÚNICA OBLIGACIÓN DE LA COMPAÑÍA Y EL ÚNICO RECURSO QUE TENDRÁ EL COMPRADOR ANTE UN PRODUCTO DEFECTUOSO.

Franklin Electric Company, Inc y sus subsidiarias (en adelante "la Compañía") garantizan que los productos que están acompañados por esta garantía se encuentran libres de defectos de material o mano de obra de la Compañía que existan al momento de la venta por parte de la Compañía y que ocurran o aparezcan dentro del período de validez de la garantía. Cualquier distribuidor, subdistribuidor, receptor, usuario final o consumidor acuerdan que al aceptar el recibo del producto, el distribuidor, subdistribuidor, receptor, usuario final y/o consumidor implícitamente aceptan que están obligados a los términos de la garantía que aquí se establecen.

I. Período de Garantía Aplicable

Los productos que están acompañados por esta garantía serán cubiertos por esta

Garantía Limitada por un período de 12 meses desde la fecha original de compra por parte del consumidor. Ante la falta de pruebas adecuadas respecto de la fecha de compra, el período de garantía de este producto entrará en vigencia a partir de su fecha de fabricación.

II. Instrucciones Aplicables a esta Garantía Limitada

1. Los consumidores que deseen presentar un reclamo de garantía deberán devolver los productos acompañados por esta garantía al punto de compra para consideración de la garantía.
2. Ante el descubrimiento de un defecto, cualquier lesión personal, daño a la propiedad o cualquier otro tipo de daño que resulte, si aplica, será razonablemente mitigado hasta donde sea posible.
3. A su criterio, la Compañía puede inspeccionar los productos ya sea en sus instalaciones o en el campo, y luego de la determinación del reclamo de garantía, según dictamine, reparará o cambiará las piezas defectuosas. Las piezas que fueron reparadas o cambiadas serán devueltas por medio de un flete prepago por parte de la Compañía.
4. Esta garantía no cubre ningún cargo por mano de obra o transporte. La Compañía no se responsabilizará por ningún costo o cargo que esté relacionado a cualquier prueba del producto, su mantenimiento, instalación, reparación o remoción, o de cualquier herramienta, suministro o equipo que sea necesario para, instalar, reparar o remover algún producto.

III. Limitaciones aplicables a esta Garantía Limitada

ESTA GARANTÍA NO APLICA A NINGUNO DE LOS SIGUIENTES CASOS:

1. Cualquier producto que no se instale, aplique, mantenga y utilice según las instrucciones publicadas de la Compañía, códigos aplicables,

ordenanzas aplicables y/o estándares industriales generalmente aceptados.

2. Cualquier producto que haya sufrido uso indebido, mala aplicación, descuido, alteración, accidente, abuso, modificación, actos de Dios (rayos incluidos), actos de terrorismo, actos de guerra, incendios, almacenamiento e instalación inadecuados, uso inadecuado, mantenimiento o reparación inadecuados, daño o siniestro, en exceso de las máximas recomendadas que se establecen en las instrucciones del producto.
3. Cualquier producto que sea operado con cualquier accesorio, equipo, componente, o pieza que no esté específicamente aprobado por la Compañía.
4. El uso de piezas de repuesto que no sean vendidas por la Compañía, la adición no autorizada de productos que no sean de la Compañía a productos de la Compañía, y la alteración no autorizada de productos de la Compañía.
5. Los productos dañados por el desgaste normal, mantenimiento normal y las piezas utilizadas en conexión con dicho servicio o cualquier otra condición más allá del control de la Compañía.
6. Cualquier producto que haya sido utilizado para otros propósitos más allá de aquellos para los cuales fue diseñado y fabricado.
7. Cualquier uso del producto en el cual las instrucciones de instalación y/o las instrucciones para el uso no hayan sido seguidas.

La Compañía se reserva el derecho de en cualquier momento, y ocasionalmente, introducir cambios en el diseño y/o mejoras en sus productos sin que esto imponga ninguna obligación de introducir los cambios o mejoras correspondientes en los productos ya fabricados y/o previamente vendidos. La Compañía se reserva además el derecho de sustituir piezas o componentes de calidad equivalente en cualquier servicio de garantía requerido por operación de esta Garantía Limitada.

Esta Garantía Limitada escrita es la totalidad de la garantía autorizada y ofrecida por la Compañía. No existen garantías y representaciones más allá de aquellas expresadas en este documento.

ESTA GARANTÍA Y RECURSO ESTÁN POR ENCIMA DE TODAS LAS OTRAS GARANTÍAS Y RECURSOS QUE SE INCLUYEN SIN LIMITACIÓN, GARANTÍAS

DE MERCANTIBILIDAD Y/O ADECUACIÓN PARA UNA FINALIDAD ESPECÍFICA, QUE SON AQUÍ EXPLÍCITAMENTE NEGADAS Y EXPRESAMENTE EXCLUIDAS.

LA CORRECCIÓN DE DISCONFORMIDAD, DE LA MANERA Y EN EL PERÍODO DE TIEMPO ESTABLECIDOS ANTERIORMENTE, CONSTITUIRÁ EL CUMPLIMIENTO DE TODA LA RESPONSABILIDAD DE LA COMPAÑÍA CON EL COMPRADOR YA SEA BASADO EN EL CONTRATO, NEGLIGENCIA O DE OTRO MODO.

LA COMPAÑÍA NO SERÁ RESPONSABLE POR LOS DAÑOS ACCIDENTALES, CONSECUENTES O ESPECIALES TALES COMO, PERO NO LIMITADOS A:

DAÑOS A O PÉRDIDA DE OTRA PROPIEDAD O EQUIPO, PÉRDIDAS DE USO DEL EQUIPO, PRESTACIÓN O SERVICIO, PÉRDIDA DE GANANCIA O VENTAS, COSTO DE COMPRAS O REPLAZO DE BIENES, RECLAMOS DE CLIENTES DEL COMPRADOR, FALLA PARA ADVERTIR Y/O INSTRUIR, PÉRDIDA DE OTROS PRODUCTOS, COSTOS DE REMEDIACIÓN AMBIENTAL O DISMINUCIÓN EN EL VALOR DE LA PROPIEDAD. LOS RECURSOS DEL COMPRADOR AQUÍ ESTABLECIDOS SON EXCLUSIVOS, Y LA RESPONSABILIDAD DE LA COMPAÑÍA NO DEBE, COMO EXPRESAMENTE CONSTAN AQUÍ, EXCEDER EL PRECIO DEL PRODUCTO EN EL QUE DICHA RESPONSABILIDAD SE BASA. LOS DAÑOS QUE SE ESTABLECEN

EN ESTE PÁRRAFO SERÁN RAZONABLEMENTE MITIGADOS HASTA DONDE SEA POSIBLE. ESTE PÁRRAFO DEBE TAMBIÉN APLICARSE A TODOS LOS DAÑOS QUE RESULTEN DE LAS CONDICIONES ESTABLECIDAS ANTERIORMENTE EN LA SECCIÓN III Y (1) DEFECTOS EN PROTOTIPOS DE PRODUCTOS O PROTOTIPOS DE PIEZAS DE REPUESTO QUE NO HAYAN SIDO PRODUCIDAS, PUESTAS EN CIRCULACIÓN O VENDIDAS POR LA COMPAÑÍA, Y/O (2) DEFECTOS QUE NO FUERON ENCONTRADOS AL MOMENTO DE LA VENTA DEBIDO A RAZONES CIENTÍFICAS O TECNOLÓGICAS.

Esta Garantía Limitada le otorga derechos legales específicos. También pueden existir otros derechos que pueden variar según las leyes y regulaciones aplicables. Cuando cualquiera de los términos de esta garantía esté prohibido por dichas leyes, deben considerarse nulos e inválidos, pero el resto de esta garantía continuará con plena vigencia y efecto.

DESCARGO DE RESPONSABILIDAD: Cualquier declaración oral sobre el producto hecha por el vendedor, la Compañía, los representantes o cualquier otra parte, no constituye garantías, no deberá ser considerada válida por el usuario y no son parte del contrato de venta. La única obligación del vendedor y la Compañía, y el único recurso del comprador, serán el replazo o la reparación del producto por parte de la Compañía como fue descrito anteriormente. Antes de su uso, el usuario deberá determinar si el producto es adecuado para el uso que se le intenta dar, y el usuario asume todo el riesgo y la responsabilidad cualesquiera que fueren en conexión con el mismo.

For technical assistance, please contact 1.800.701.7894

Pour l'aide technique, entrez s'il vous plaît en contact 1.800.701.7894

Para la ayuda técnica, por favor póngase en contacto 1.800.701.7894

**www.franklinwater.com
customerservice@lgpc.com**
