

4" SUBMERSIBLE WELL PUMPS

APPLICATIONS

- For both new installs and replacement applications where water must be transferred under pressure from wells, cisterns, ponds, lakes, and streams

FEATURES

- Designed for use in 4" and greater diameter water well applications
- Five performance ranges: 5, 8, 12, 16, and 22 gpm
- Horsepower ranges: 1/2 to 1.5
- NSF/ANSI 61 Certified construction for drinking water safe materials that are non-leaching and lead-free
- All stainless steel components are 300 series grade or better
- Industry-standard discharge head and NEMA motor connection bracket produced with proven, reliable, and durable materials. Available in 300 series stainless steel or engineered plastic resins.
- 1.25" NPT discharge pipe connection with sufficient wrench flat area allows for quick and easy installation
- Internal check valve integrated into each pump
- 100% factory performance tested
- Powered by Franklin Electric corrosion-resistant super stainless 4-inch submersible motors with lightning protection
- Maximum water temperature with the proper flow is 120 °F/49 °C. Consult the factory for details.



4" SUBMERSIBLE WELL PUMPS

SERIES SPECIFICATIONS - PLASTIC

Plastic												
GPM	HP	Stages	Volts	2-Wire				3-Wire				
				Pump Motor Assembly		For Replacement	Pump Motor Assembly		For Replacement	Quick Disconnect (QD) Control Box	Capacitor Run (CRC) Control Box	
				Model	Order No.	Motor	Model	Order No.	Motor	Order No.	Order No.	
5	1/2	8	115	W5G05S8-21P	559132	2445049004GS	-	-	-	-	-	-
	1/2	8	230	W5G05S8-22P	559133	2445050117GS	W5G05S8-32P	559170	2145059004GS	2801054915	2824055015	
	3/4	12	230	W5G07S12-22P	559134	2445079004GS	W5G07S12-32P	559171	2145079004GS	2801074915	2824075015	
8	1	15	230	W5G10S15-22P	559135	2445089003GS	W5G10S15-32P	559172	2145089003GS	2801084915	2824085015	
	1/2	7	115	W8G05S7-21P	559136	2445049004GS	-	-	-	-	-	
	1/2	7	230	W8G05S7-22P	559137	2445050117GS	W8G05S7-32P	559173	2145059004GS	2801054915	2824055015	
12	3/4	10	230	W8G07S10-22P	559138	2445079004GS	W8G07S10-32P	559174	2145079004GS	2801074915	2824075015	
	1	13	230	W8G10S13-22P	559139	2445089003GS	W8G10S13-32P	559175	2145089003GS	2801084915	2824085015	
	1/2	5	115	W12G05S5-21P	559140	2445049004GS	W12G05S5-31P	559176	2145049004GS	2801044915	-	
16	1/2	5	230	W12G05S5-22P	559141	2445050117GS	W12G05S5-32P	559177	2145059004GS	2801054915	2824055015	
	3/4	8	230	W12G07S8-22P	559142	2445079004GS	W12G07S8-32P	559178	2145079004GS	2801074915	2824075015	
	1	10	230	W12G10S10-22P	559143	2445089003GS	W12G10S10-32P	559179	2145089003GS	2801084915	2824085015	
22	1.5	13	230	W12G15S13-22P	559144	2443099004GS	W12G15S13-32P	559180	2243009203GS	2823008110*	2823008110	
	3/4	6	230	W16G07S6-22P	559145	2445079004GS	W16G07S6-32P	559181	2145079004GS	2801074915	2824075015	
	1	8	230	W16G10S8-22P	559146	2445089003GS	W16G10S8-32P	559182	2145089003GS	2801084915	2824085015	
22	1.5	11	230	W16G15S11-22P	559147	2443099004GS	W16G15S11-32P	559183	2243009203GS	2823008110*	2823008110	
	3/4	5	230	W22G07S5-22P	559148	2445079004GS	W22G07S5-32P	559184	2145079004GS	2801074915	2824075015	
	1	6	230	W22G10S6-22P	559149	2445089003GS	W22G10S6-32P	559185	2145089003GS	2801084915	2824085015	
	1.5	8	230	W22G15S8-22P	559150	2443099004GS	W22G15S8-32P	559186	2243009203GS	2823008110*	2823008110	

*Control Box, Standard.

4" SUBMERSIBLE WELL PUMPS

LittleGIANT®

SERIES SPECIFICATIONS - STAINLESS STEEL

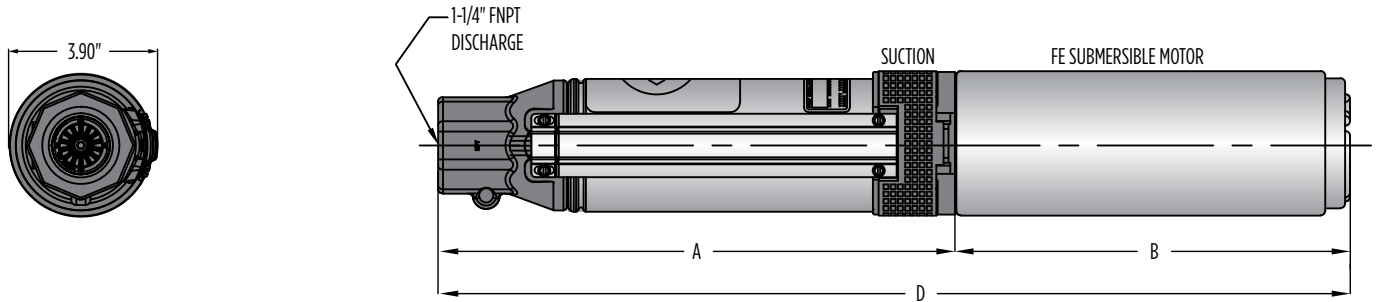
Stainless Steel											
GPM	HP	Stages	Volts	2-Wire			3-Wire				
				Pump Motor Assembly		For Replacement	Pump Motor Assembly		For Replacement	Quick Disconnect (QD) Control Box	Capacitor Run (CRC) Control Box
				Model	Order No.	Motor	Model	Order No.	Motor	Order No.	Order No.
5	1/2	8	115	W5G05S8-21S	559151	2445049004GS	-	-	-	-	-
	1/2	8	230	W5G05S8-22S	559152	2445050117GS	W5G05S8-32S	559187	2145059004GS	2801054915	2824055015
	3/4	12	230	W5G07S12-22S	559153	2445079004GS	W5G07S12-32S	559188	2145079004GS	2801074915	2824075015
	1	15	230	W5G10S15-22S	559154	2445089003GS	W5G10S15-32S	559189	2145089003GS	2801084915	2824085015
8	1/2	7	115	W8G05S7-21S	559155	2445049004GS	-	-	-	-	-
	1/2	7	230	W8G05S7-22S	559156	2445050117GS	W8G05S7-32S	559190	2145059004GS	2801054915	2824055015
	3/4	10	230	W8G07S10-22S	559157	2445079004GS	W8G07S10-32S	559191	2145079004GS	2801074915	2824075015
	1	13	230	W8G10S13-22S	559158	2445089003GS	W8G10S13-32S	559192	2145089003GS	2801084915	2824085015
12	1/2	5	115	W12G05S5-21S	559159	2445049004GS	W12G05S5-31S	559193	2145049004GS	-	-
	1/2	5	230	W12G05S5-22S	559160	2445050117GS	W12G05S5-32S	559194	2145059004GS	2801054915	2824055015
	3/4	8	230	W12G07S8-22S	559161	2445079004GS	W12G07S8-32S	559195	2145079004GS	2801074915	2824075015
	1	10	230	W12G10S10-22S	559162	2445089003GS	W12G10S10-32S	559196	2145089003GS	2801084915	2824085015
	1.5	13	230	W12G15S13-22S	559163	2443099004GS	W12G15S13-32S	559197	2243009203GS	2823008110*	2823008110
16	3/4	6	230	W16G07S6-22S	559164	2445079004GS	W16G07S6-32S	559198	2145079004GS	2801074915	2824075015
	1	8	230	W16G10S8-22S	559165	2445089003GS	W16G10S8-32S	559199	2145089003GS	2801084915	2824085015
	1.5	11	230	W16G15S11-22S	559166	2443099004GS	W16G15S11-32S	559200	2243009203GS	2823008110*	2823008110
22	3/4	5	230	W22G07S5-22S	559167	2445079004GS	W22G07S5-32S	559201	2145079004GS	2801074915	2824075015
	1	6	230	W22G10S6-22S	559168	2445089003GS	W22G10S6-32S	559202	2145089003GS	2801084915	2824085015
	1.5	8	230	W22G15S8-22S	559169	2443099004GS	W22G15S8-32S	559203	2243009203GS	2823008110*	2823008110

*Control Box, Standard.

4" SUBMERSIBLE WELL PUMPS

4" SUBMERSIBLE WELL PUMPS

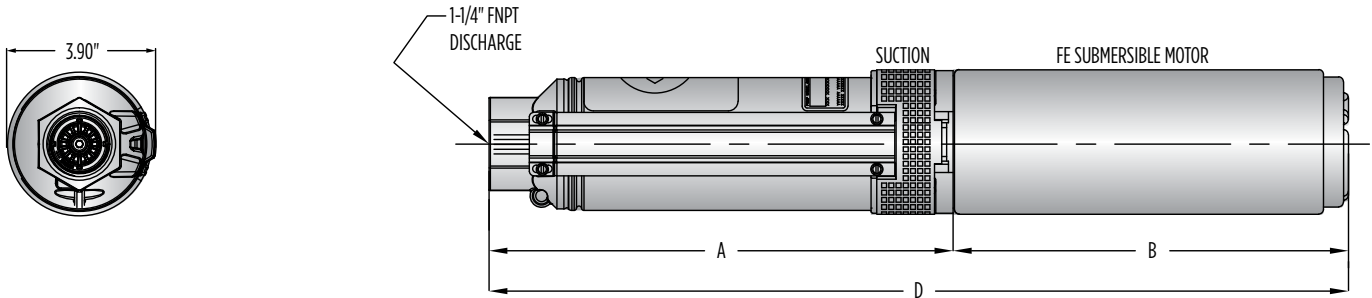
DIMENSIONS - PLASTIC DISCHARGE PUMP/MOTOR



Plastic Discharge Pump/Motor													
GPM	HP	Stages	2-Wire						3-Wire				
			Dimensions (in)			Wt. (lbs)			Dimensions (in)			Wt. (lbs)	
			A	B	C	PE	PMA	A	B	C	PE	PMA	
5	1/2	8	14.0	9.5	23.5	8	26	14.0	9.5	23.5	8	26	
	3/4	12	17.7	10.6	28.3	9	30	17.7	10.6	28.3	9	30	
	1	15	20.1	11.7	31.9	10	34	20.1	11.7	31.9	10	34	
8	1/2	7	13.3	9.5	22.8	7	25	13.3	9.5	22.8	7	25	
	3/4	10	15.7	10.6	26.4	8	29	15.7	10.6	26.4	8	29	
	1	13	18.4	11.7	30.1	10	34	18.4	11.7	30.1	10	34	
12	1/2	6	12.0	9.5	21.6	7	25	12.0	9.5	21.6	7	25	
	3/4	8	14.7	10.6	25.4	8	29	14.7	10.6	25.4	8	29	
	1	11	16.8	11.7	28.5	9	33	16.8	11.7	28.5	9	33	
	1.5	15	19.5	15.1	34.6	10	41	19.5	13.6	33.1	10	41	
16	3/4	6	14.9	10.6	25.5	7	28	14.9	10.6	25.5	7	28	
	1	9	17.3	11.7	29.0	8	32	17.3	11.7	29.0	8	32	
	1.5	11	21.0	15.1	36.1	9	40	21.0	13.6	34.6	9	40	
22	3/4	5	13.6	10.6	24.3	6	28	13.6	10.6	24.3	6	28	
	1	7	14.9	11.7	26.6	8	32	14.9	11.7	26.6	8	32	
	1.5	10	17.3	15.1	32.4	8	39	17.3	13.6	30.9	8	39	

4" SUBMERSIBLE WELL PUMPS

DIMENSIONS - STAINLESS STEEL DISCHARGE PUMP/MOTOR



Stainless Steel Discharge Pump/Motor												
GPM	HP	Stages	2-Wire					3-Wire				
			Dimensions (in)			Wt. (lbs)		Dimensions (in)			Wt. (lbs)	
			A	B	C	PE	PMA	A	B	C	PE	PMA
5	1/2	8	13.7	9.5	23.2	10	28	13.7	9.5	23.2	10	29
	3/4	12	16.9	10.6	27.6	12	33	16.9	10.6	27.6	12	33
	1	15	19.6	11.7	31.4	14	38	19.6	11.7	31.4	14	38
8	1/2	7	12.9	9.5	22.4	7	25	12.9	9.5	22.4	9	28
	3/4	10	15.3	10.6	26.0	10	31	15.3	10.6	26.0	10	31
	1	13	17.8	11.7	29.5	11	35	17.8	11.7	29.5	11	35
12	1/2	5	11.6	9.5	21.1	7	25	11.6	9.5	21.1	9	28
	3/4	8	14.3	10.6	25.0	10	31	14.3	10.6	25.0	10	31
	1	10	26.2	11.7	27.9	11	35	16.2	11.7	27.9	11	35
	1.5	13	18.9	15.1	34.0	14	45	18.9	13.6	32.5	14	42
16	3/4	6	14.5	10.6	25.1	10	31	14.5	10.6	25.1	9	30
	1	8	16.9	11.7	28.6	11	35	16.9	11.7	28.6	11	35
22	1.5	11	20.6	15.1	35.7	14	45	20.6	13.6	34.2	14	42
	3/4	5	13.2	10.6	24.9	7	29	13.2	10.6	24.9	7	29
	1	6	14.5	11.7	26.2	9	33	14.5	11.7	26.2	9	33
	1.5	8	16.9	15.1	32.0	10	41	16.9	13.6	30.5	10	41

4" SUBMERSIBLE WELL PUMPS

5 GPM

CAPACITIES IN GPM

Model	HP	PSI	Depth to Pumping Water Level (ft)																		Shut-Off (ft)			
			0	20	40	60	80	100	120	140	160	180	200	240	280	320	360	400	440	500		550	600	
W5G05	1/2	0										7	7	6	5	4								312
		10									7	7	6	6	4									
		20							7	7	7	6	6	5	4	3								
		30					7	7	7	6	6	5	4											
		40				7	7	7	6	6	5	4	3											
		50			7	7	7	6	6	5	4													
		60		7	7	6	6	5	5	4														
		70	7	7	6	6	5	5	3															
80	7	6	6	5	4	3																		
Shut-Off PSI			135	126	118	109	100	92	83	74	66	57	48	31	14									
W5G07	3/4	0													7	7	6	5	4	3			491	
		10													7	6	6	5	4					
		20												7	7	6	5	4	3					
		30											7	7	6	6	5	4						
		40									7	7	7	6	5	4	3							
		50							7	7	7	6	5	4	3									
		60						7	7	7	6	6	5	4										
		70					7	7	7	6	6	6	5	4	3									
80				7	7	7	6	6	6	5	5	4												
Shut-Off PSI						187	178	169	161	152	143	135	126	109	91	74	57	39	22					
W5G1	1	0															7	7	6	5	5	4	3	609
		10															7	7	6	6	5	4	4	
		20															7	7	6	5	4	3	3	
		30														7	7	6	6	5	4	3		
		40														7	6	6	5	4	3			
		50													7	7	6	5	5	4	3			
		60												7	7	6	6	5	4	3				
		70									7	7	7	7	6	5	4	4						
80								7	7	7	7	6	6	5	4	3								
Shut-Off PSI									212	203	194	186	177	160	142	125	108	90	73	56	47	26		

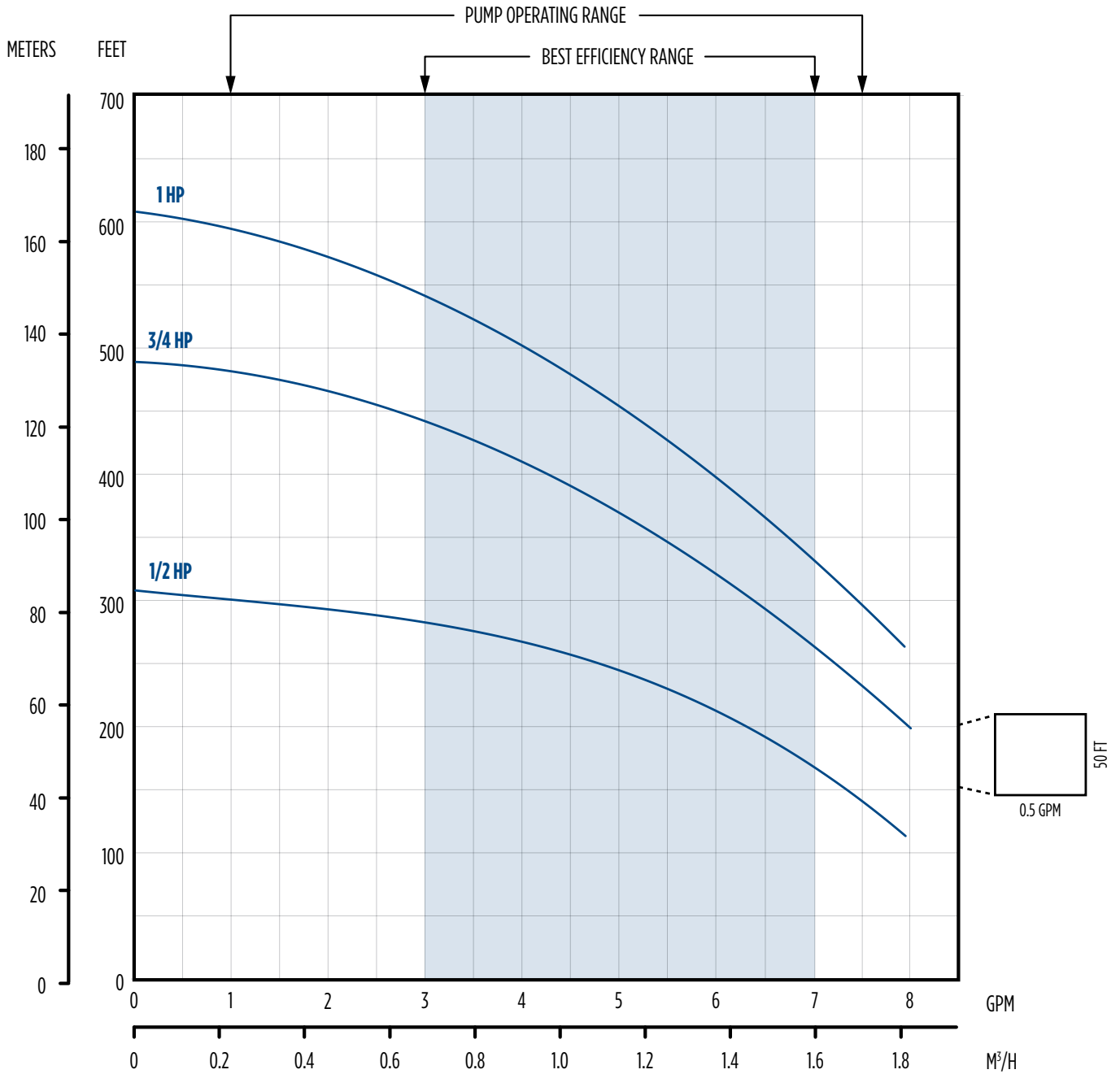
NOTE: Performance shown does not include friction loss in the drop pipe; all performance data is based on rated motor nameplate voltage

4" SUBMERSIBLE WELL PUMPS

LittleGIANT®

5 GPM

PERFORMANCE DATA



4" SUBMERSIBLE WELL PUMPS

8 GPM

CAPACITIES IN GPM

Model	HP	PSI	Depth to Pumping Water Level (ft)																		Shut-Off (ft)			
			0	20	40	60	80	100	120	140	160	180	200	240	280	320	360	400	440	500		550	600	
W8G05	1/2	0					13	13	12	11	10	9	8	6										282
		10				13	12	12	11	10	9	8	7											
		20			13	12	12	11	10	9	8	7												
		30		13	12	11	11	10	9	8	7													
		40	13	12	11	11	10	9	8	6														
		50	12	11	10	10	9	8	6															
		60	11	10	9	8	7	6																
		70	10	9	8	7	6																	
		80	9	8	7	6																		
Shut-Off PSI			122	113	105	96	87	79	70	61	53	44	35	18										
W8G07	3/4	0						13	13	13	12	12	11	10	9	7							406	
		10					13	13	12	12	11	11	10	9	8	6								
		20				13	13	12	12	11	11	10	10	8	7									
		30			13	13	12	12	11	11	10	10	9	8	6									
		40		13	13	12	12	11	11	10	10	9	8	7										
		50	13	13	12	12	11	11	10	9	9	8	7											
		60	13	12	12	11	11	10	9	9	8	7	6											
		70	12	12	11	10	10	9	9	8	7	6												
		80	11	11	10	10	9	8	8	7	6													
Shut-Off PSI			176	167	158	150	141	132	124	115	106	98	89	72	55	37								
W8G1	1	0								13	13	12	12	11	11	10	9	8	6				526	
		10						13	13	13	12	12	12	11	10	9	8	7						
		20					13	13	13	12	12	12	11	10	10	9	7	6						
		30				13	13	13	12	12	12	11	11	10	9	8	7	5						
		40			13	13	13	12	12	12	11	11	10	9	8	7	6							
		50		13	13	13	12	12	11	11	11	10	10	9	8	6								
		60	13	13	13	12	12	11	11	11	10	10	9	8	7	6								
		70	13	12	12	12	11	11	11	10	10	9	9	7	6									
		80	12	12	12	11	11	10	10	10	9	9	8	7										
Shut-Off PSI			228	219	210	202	193	184	176	167	158	150	141	124	106	89	72	55	37					

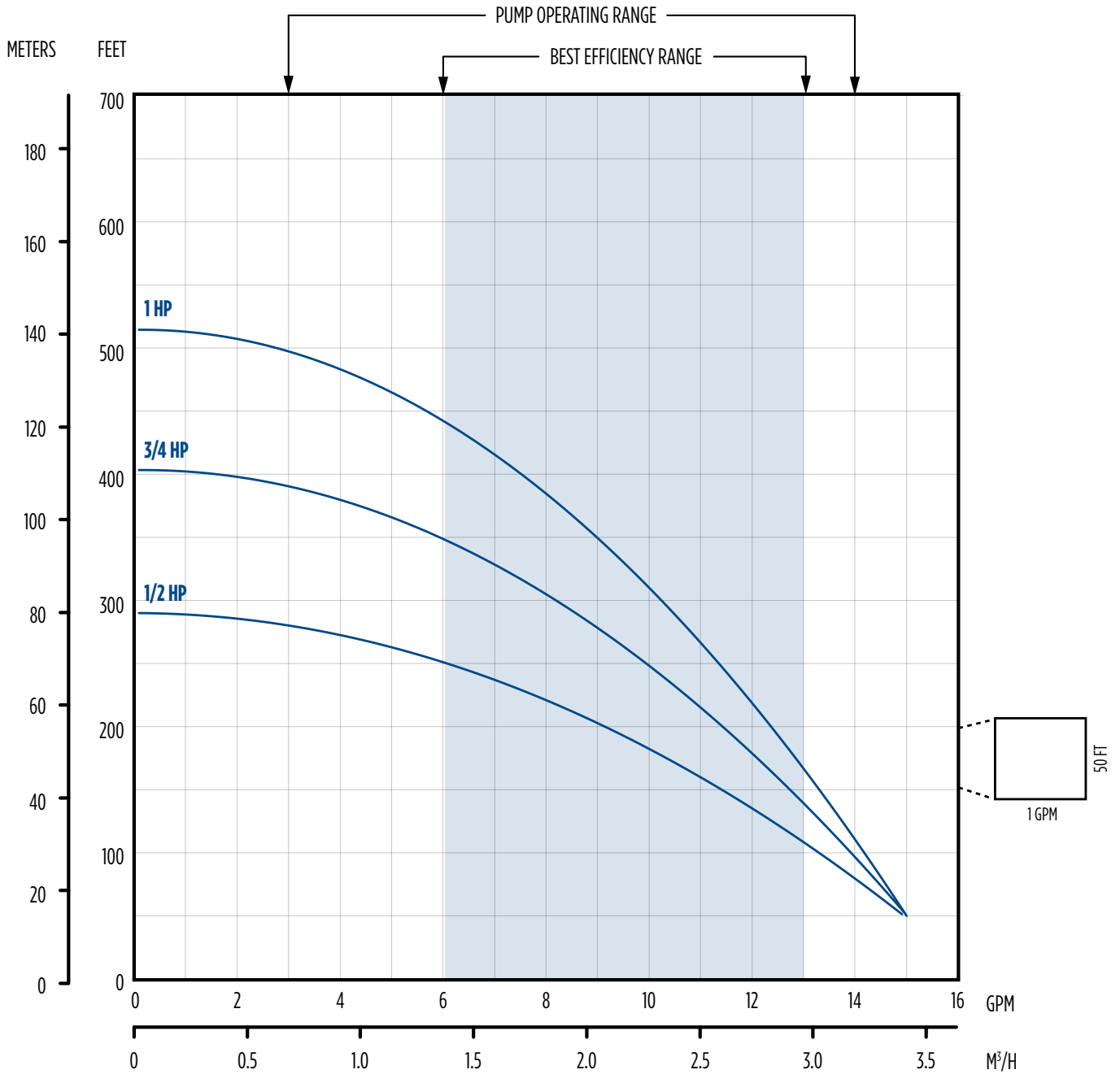
NOTE: Performance shown does not include friction loss in the drop pipe; all performance data is based on rated motor nameplate voltage

4" SUBMERSIBLE WELL PUMPS

LittleGIANT®

8 GPM

PERFORMANCE DATA



4" SUBMERSIBLE WELL PUMPS

12 GPM

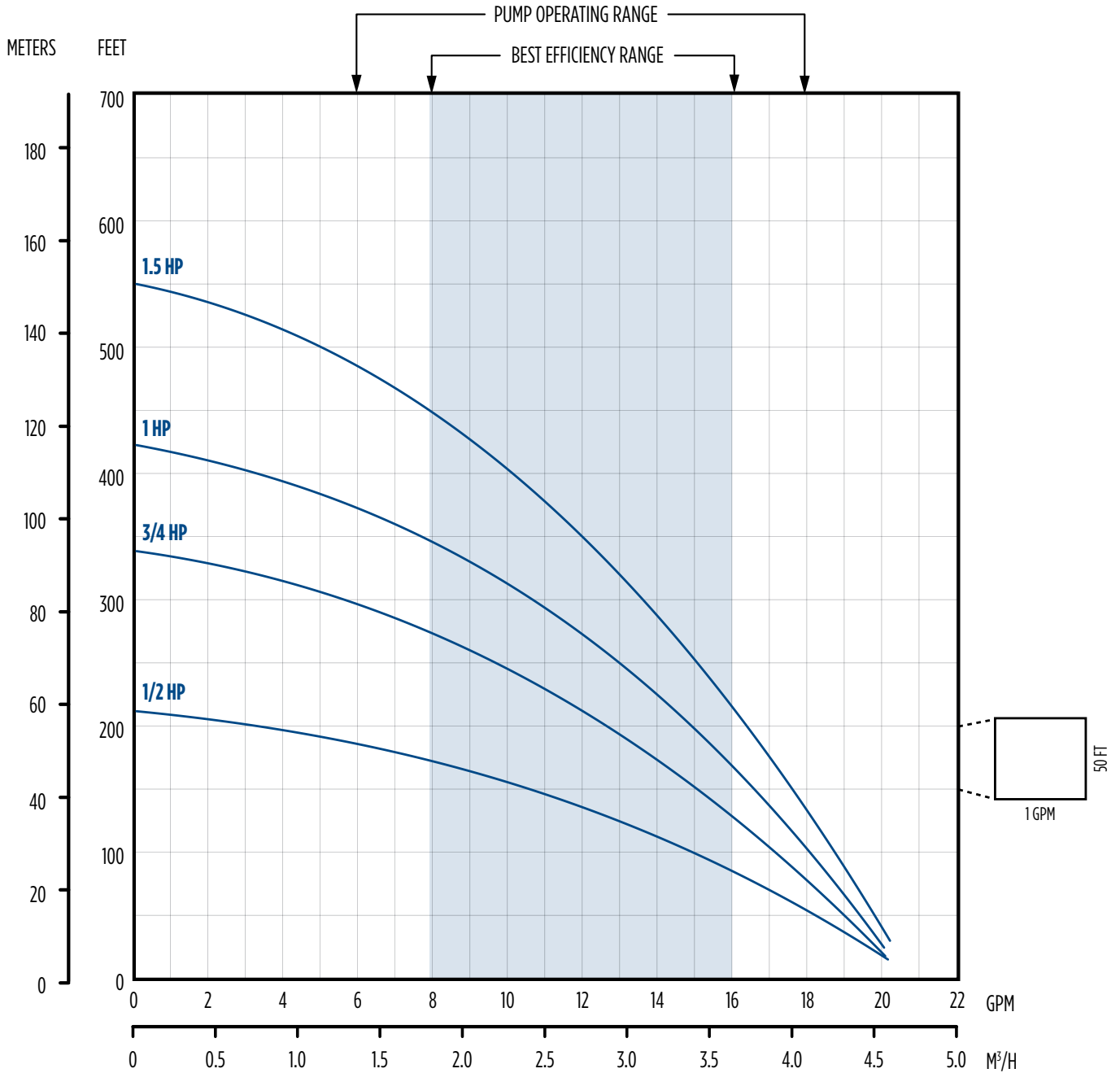
CAPACITIES IN GPM

Model	HP	PSI	Depth to Pumping Water Level (ft)																		Shut-Off (ft)			
			0	20	40	60	80	100	120	140	160	180	200	240	280	320	360	400	440	500		550	600	
W12G05	1/2	0					16.3	14.9	13.3	11.6	9.5	6.9												212
		10				16.1	14.7	13.1	11.3	9.1	6.4													
		20			15.9	14.4	12.8	11.0	8.7															
		30		15.7	14.2	12.6	10.6	8.4																
		40	15.4	14.0	12.3	10.3	8.0																	
		50	13.7	12.0	10.0	7.5																		
		60	11.7	9.6	7.1																			
		70	9.3	6.6																				
		80																						
Shut-Off PSI			92	83	74	66	57	48	40	31	23	14												
W12G07	3/4	0							16.3	15.4	14.5	13.6	12.6	10.3	7.4								340	
		10						16.1	15.3	14.4	13.4	12.4	11.3	8.7										
		20					16.0	15.2	14.3	13.3	12.3	11.1	9.9	6.9										
		30				15.9	15.0	14.1	13.1	12.1	10.9	9.7	8.3											
		40			15.8	14.9	14.0	13.0	11.9	10.8	9.5	8.0												
		50		15.6	14.7	13.8	12.8	11.7	10.6	9.3	7.8													
		60	15.5	14.6	13.7	12.7	11.6	10.4	9.0	7.5														
		70	14.5	13.5	12.5	11.4	10.2	8.8	7.3															
		80	13.4	12.3	11.2	10.0	8.6	7.0																
Shut-Off PSI			147	139	130	121	113	104	95	87	78	69	61	43	26									
W12G1	1	0									16.2	15.5	14.8	13.3	11.6	9.5	6.9						421	
		10								16.1	15.4	14.7	14.0	12.3	10.4	8.1								
		20							16.0	15.3	14.6	13.8	13.0	11.3	9.1									
		30					16.5	15.9	15.2	14.5	13.7	12.9	12.0	10.1	7.6									
		40				16.4	15.8	15.1	14.4	13.6	12.8	11.9	11.0	8.7										
		50			16.3	15.7	15.0	14.2	13.5	12.7	11.8	10.8	9.7	7.2										
		60		16.2	15.6	14.9	14.1	13.4	12.5	11.6	10.6	9.6	8.4											
		70	16.1	15.4	14.8	14.0	13.2	12.4	11.5	10.5	9.4	8.1	6.7											
		80	15.3	14.6	13.9	13.1	12.2	11.3	10.3	9.2	7.9													
Shut-Off PSI			182	174	165	156	148	139	130	122	113	104	96	78	61	44	26							
W12G15	1.5	0											16.3	15.2	14.1	12.9	11.5	10.0	8.3				548	
		10											16.2	15.7	14.6	13.4	12.1	10.7	9.0	7.1				
		20											16.1	15.6	15.1	13.9	12.7	11.3	9.8	8.0				
		30										16.0	15.5	15.0	14.4	13.2	11.9	10.4	8.8	6.8				
		40								16.0	15.4	14.9	14.3	13.7	12.5	11.1	9.5	7.7						
		50					16.4	15.9	15.4	14.8	14.2	13.6	13.0	11.7	10.2	8.5								
		60				16.3	15.8	15.3	14.7	14.1	13.6	12.9	12.3	10.9	9.2	7.3								
		70			16.2	15.7	15.2	14.6	14.1	13.5	12.8	12.2	11.5	10.0	8.2									
		80		16.2	15.6	15.1	14.5	14.0	13.4	12.7	12.1	11.4	10.6	9.0	7.0									
Shut-Off PSI			237	229	220	211	203	194	185	177	168	159	151	133	116	99	81	64	47					

NOTE: Performance shown does not include friction loss in the drop pipe; all performance data is based on rated motor nameplate voltage

12 GPM

PERFORMANCE DATA



4" SUBMERSIBLE WELL PUMPS

16 GPM

CAPACITIES IN GPM

Model	HP	PSI	Depth to Pumping Water Level (ft)																		Shut-Off (ft)			
			0	20	40	60	80	100	120	140	160	180	200	240	280	320	360	400	440	500		550	600	
W16G07	3/4	0					25	23	21	19	16	13												216
		10				25	23	21	18	15	12													
		20			25	23	20	18	15	11														
		30		24	22	20	17	14	11															
		40	24	22	20	17	14	10																
		50	22	19	17	13																		
		60	19	16	13																			
		70	16	12																				
		80	12																					
Shut-Off PSI			94	85	76	68	59	50	42	33	24	16												
W16G1	1	0					27	25	24	22	21	19	17	12									288	
		10					25	24	22	21	19	17	15											
		20				25	23	22	20	18	16	14	12											
		30			25	23	22	20	18	16	14	11												
		40		24	23	21	20	18	16	13	11													
		50	24	23	21	19	18	15	13	10														
		60	23	21	19	17	15	13																
		70	21	19	17	15	12																	
		80	19	17	14	12																		
Shut-Off PSI			125	116	107	99	90	81	73	64	55	47	38	21										
W16G15	1.5	0								25	24	23	22	19	17	13							395	
		10								25	24	23	22	20	18	15	11							
		20							25	24	22	21	20	19	16	13								
		30					25	24	23	22	21	20	19	17	14	10								
		40			25	24	23	22	21	20	19	17	16	12										
		50		25	24	23	22	21	20	18	17	15	14											
		60	25	24	23	22	21	19	18	17	15	13	11											
		70	24	23	22	20	19	18	16	15	13	11												
		80	23	21	20	19	18	16	15	13	11													
Shut-Off PSI			171	162	154	145	136	128	119	110	102	93	84	67	50	32								

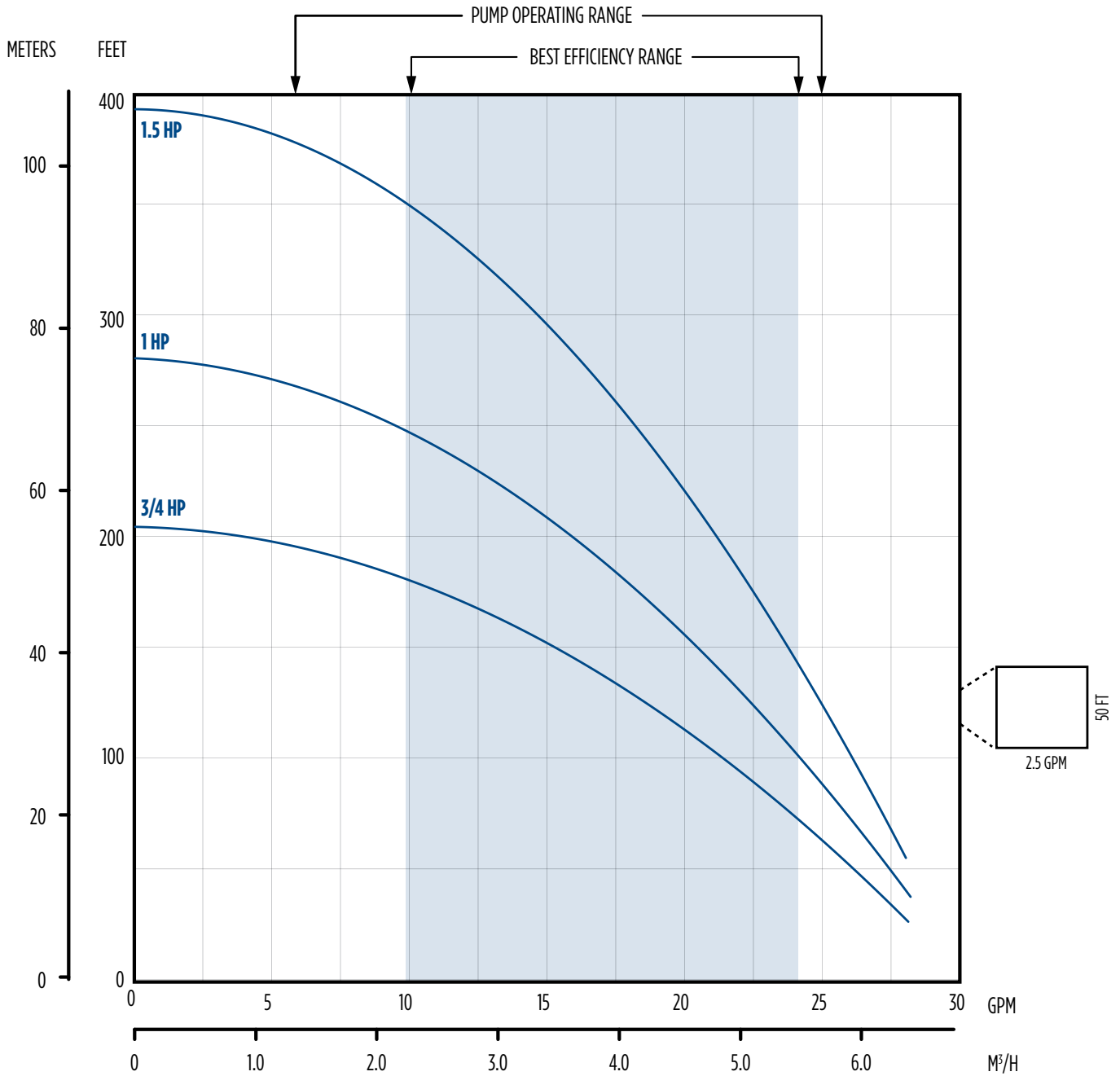
NOTE: Performance shown does not include friction loss in the drop pipe; all performance data is based on rated motor nameplate voltage

4" SUBMERSIBLE WELL PUMPS

LittleGIANT®

16 GPM

PERFORMANCE DATA



4" SUBMERSIBLE WELL PUMPS

22 GPM

CAPACITIES IN GPM

Model	HP	PSI	Depth to Pumping Water Level (ft)																		Shut-Off (ft)					
			0	20	40	60	80	100	120	140	160	180	200	240	280	320	360	400	440	500		550	600			
W22G07	3/4	0						29	26	22	18													188		
		10					28	25	22	17																
		20				28	25	21	16																	
		30		30	27	24	21	16																		
		40	30	27	24	20																				
		50	27	23	19																					
		60	23	18																						
		70	18																							
80																										
Shut-Off PSI			81	73	64	55	47	38	29	21	12															
W22G1	1	0						31	29	26	23	20	15												221	
		10					31	28	26	23	19															
		20				30	28	25	22	18																
		30			30	27	25	22	18																	
		40		29	27	24	21	17																		
		50	29	27	24	20	16																			
		60	26	23	20																					
		70	23	19																						
80	19																									
Shut-Off PSI			96	87	78	70	61	52	44	35	26	18	9													
W22G15	1.5	0								30	29	27	25	20										289		
		10								30	28	27	24	22	16											
		20								30	28	26	24	22	19											
		30							30	28	26	24	21	18	15											
		40				29	28	26	23	21	18															
		50			29	27	25	23	21	17																
		60		29	27	25	23	20	17																	
		70	29	27	25	22	20	16																		
80	26	24	22	19	16																					
Shut-Off PSI			125	116	108	99	90	82	73	65	56	47	39	21												

NOTE: Performance shown does not include friction loss in the drop pipe; all performance data is based on rated motor nameplate voltage

22 GPM

PERFORMANCE DATA

