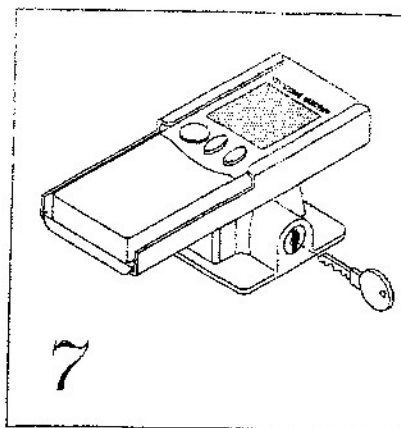
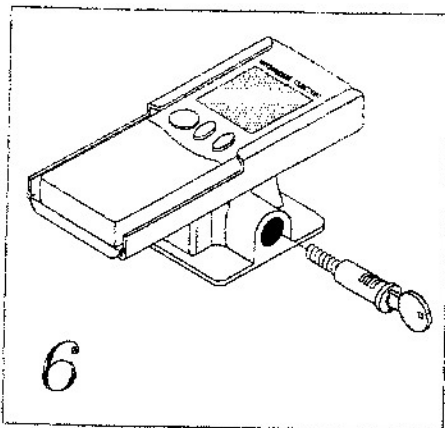
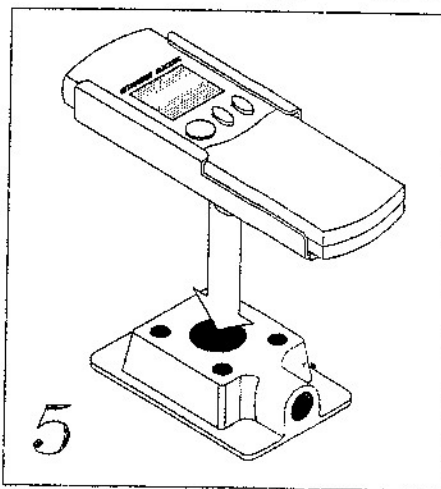
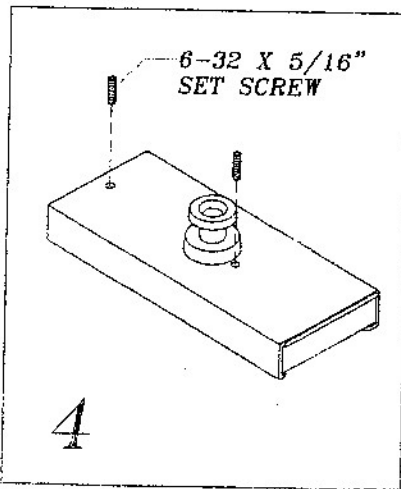
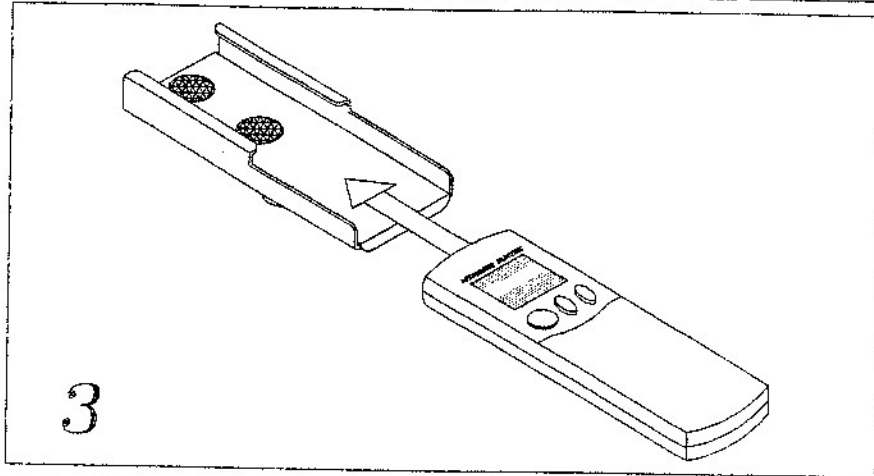
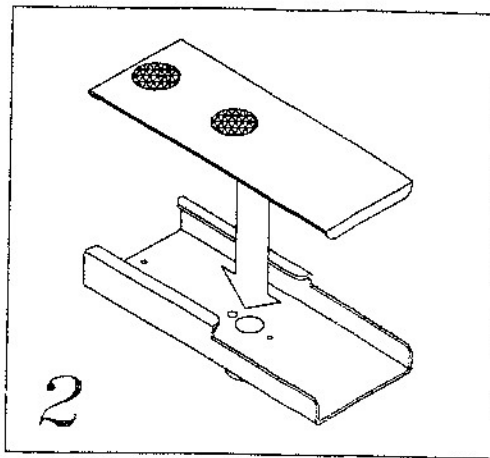
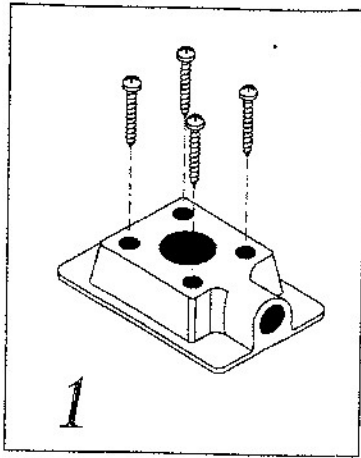


**RCMKP1CA**  
**RCMKP1CB**

**Remote Control Mounts**  
For MITSUBISHI HVAC  
Remote #KP1C



1. **Bolt Down:** Position base in desired location and use as a template to drill holes for screws. Secure base to furniture with provided screws.  
**Adhesive:** Peel adhesive from bottom of base and press into desired position.
2. Slip pressure plate into remote holder.
3. Slide remote control into remote holder.
4. Turn remote and holder over. Tighten set screws until pressure plate secures remote control in holder and screws are flush with bottom of holder.
5. Insert holder into base.
6. Insert key into lock and lock into lock retainer. Turn key clockwise until lock is screwed into base and holder is secured.
7. Remove key.

Protected under one or more of these U.S. Patent numbers: 3,291,432 3,559,942 3,724,798 DES.270,689 4,613,109 4,878,645 4,852,842 DES.309,562 4,973,023 5,169,114 5,255,884 5,310,152 5,522,376 5,621,614 Re.35,677 DES.398,834 5,826,384 5,941,492 5,964,068 6,060,661 6,102,398 6,158,704