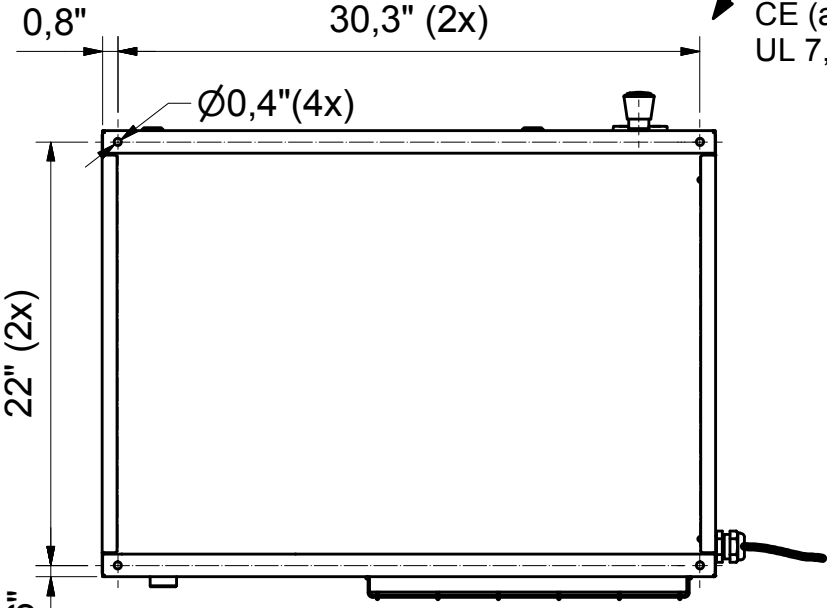
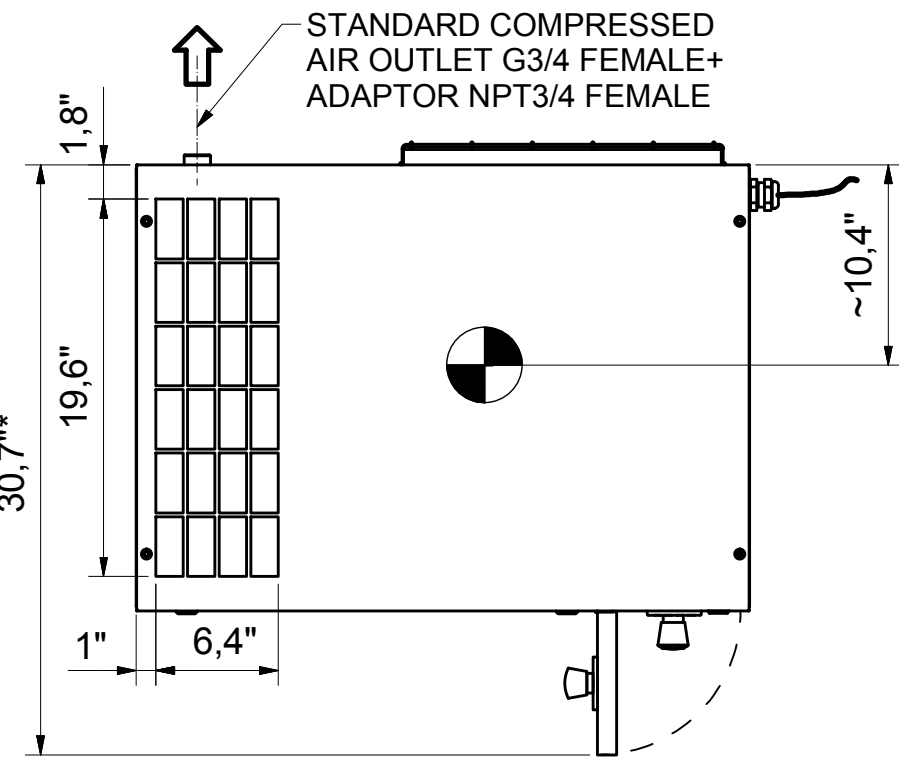
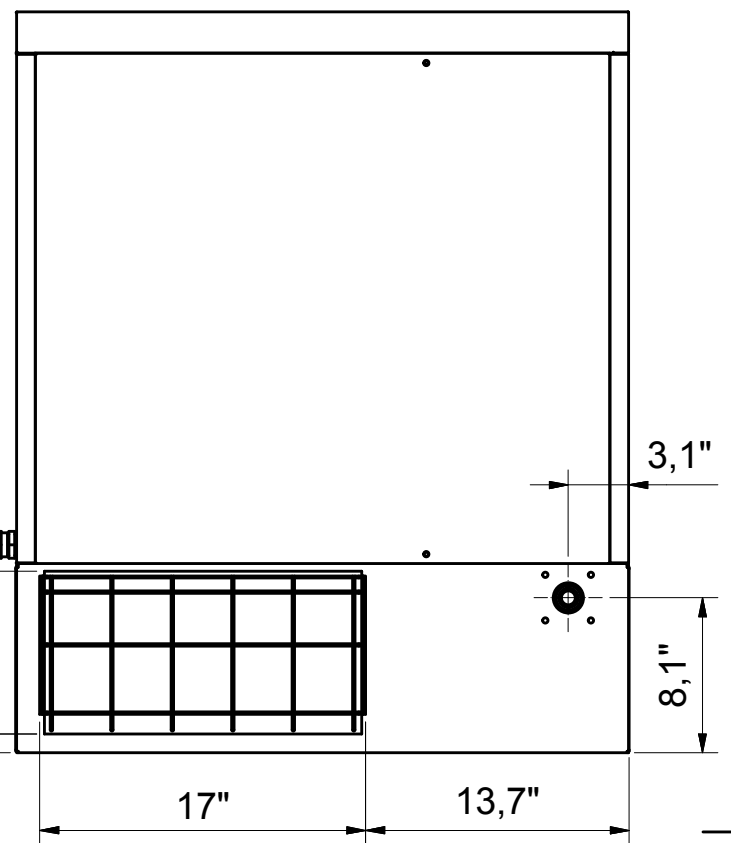
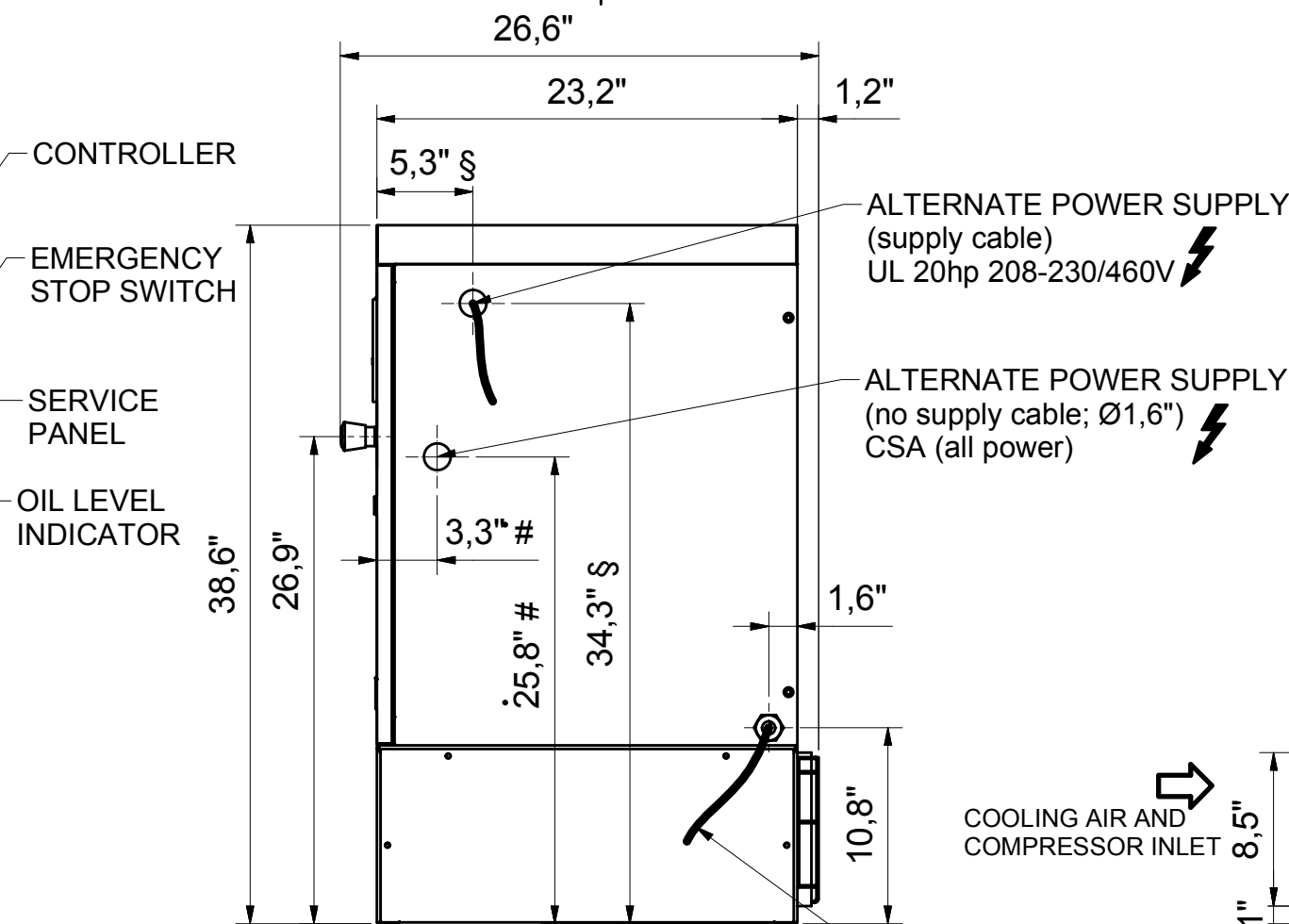
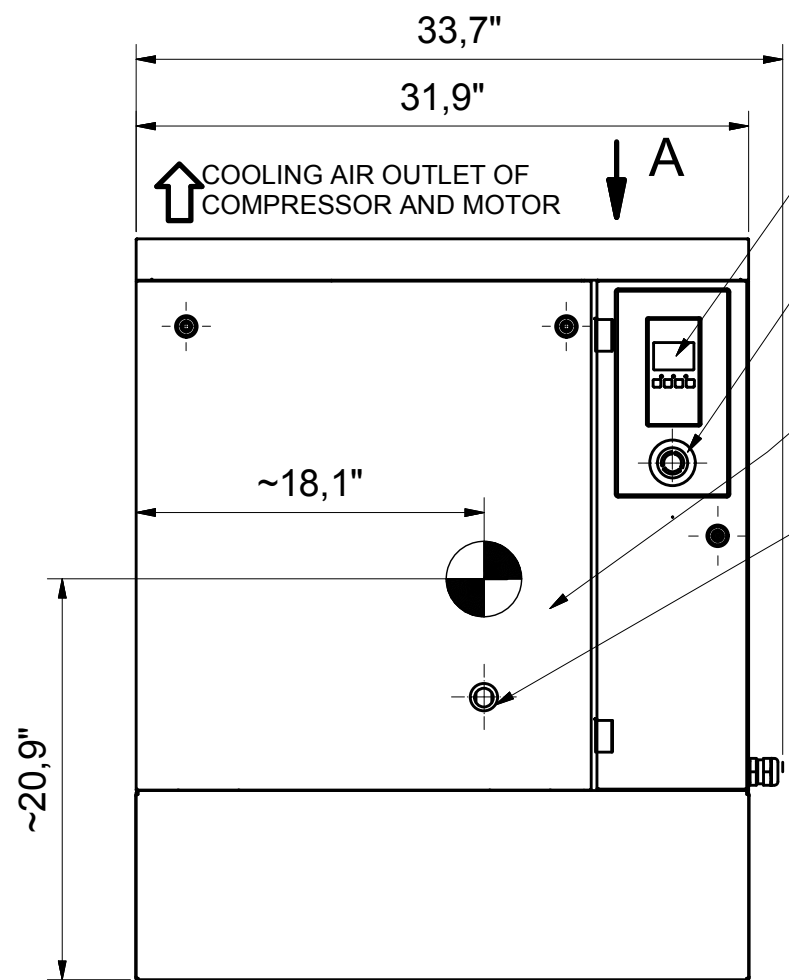


All materials supplied are in compliance with the requirements of the List of Prohibited Substances

CONFIDENTIAL: This document is our property and shall not without our permission be altered, copied, used for manufacturing or communicated to any other person or company.



Power kW (Hp)	Approx.weight ±20 Pound (lb)
5,5 (7,5)	352
7,5 (10)	374
11 (15)	407
15 (20)	440

**NOTES:**

- ⊕ - CENTER OF GRAVITY
- \* - CUBICLE DOOR FULLY OPEN
- § - UL VARIANT
- # - CSA VARIANT

Tolerances, if not indicated, according to:					
Name	DIMENTION DRAWING C55* MAXI NO DRY FM		Confidentiality Class	acc. to 1102 K	
Material	Not applicable		Internal	IMPERIAL	
Treatment	Not applicable		INV	Drawing owner	
	Scale	1 : 10	Family	Compare	
	Drawn by	sgraser	Blank nr.	Replaces	
	Drawing format	Blank wt	Kg	Fini wt.	N/A
STATUS	A3	Des checked.	Prod checked.	Approved.	Date
					29/08/2016
					Designation
					Sheet 1 / 1
					<b>9828083260</b>

-00					9828083261		
Ed	Position	Modified from	Date	Intr./Appd.	Parent 3D model	Ed . Version 3D	Approved