

PEERLESS® PUREFIRE® BOILERS

STAINLESS STEEL VENT TERMINATION KIT Installation Instructions

⚠ CAUTION

The Stainless Steel Vent Termination Kits are for use as sidewall termination kits only.

1. Locate vent termination by referring to the **PEERLESS® PUREFIRE®** Installation, Operation and Maintenance Manual.
2. Fasten the frame to the wall of the building by using the pre-punched mounting holes on the frame.
3. Using a core drill or hole saw, cut two holes, sized as indicated in Table 1, through the building wall. Use the frame as a template for the location of the holes.
4. Install the air intake and exhaust vent pipes through the holes making sure there is 2" of pipe protruding on the intake, and 4 1/2" of exhaust pipe protruding beyond the face of the frame. Pipes must be cut perfectly square. Refer to Figure 1.
5. Seal between vent/air intake pipes and exterior wall using exterior rated caulk or silicon to prevent water damage and recirculation of flue products into the building.
6. Assemble the vent terminal cap to the vent terminal frame using the four (4) cap attachment screws.

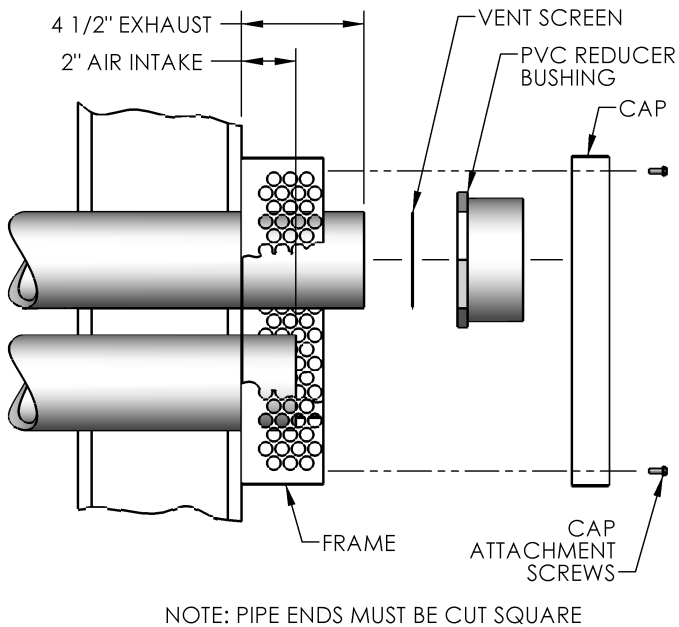


Figure 1

Table 1

Stock Code	Vent Size	Hole Diameter Through Wall
5440	3"	3-1/2"

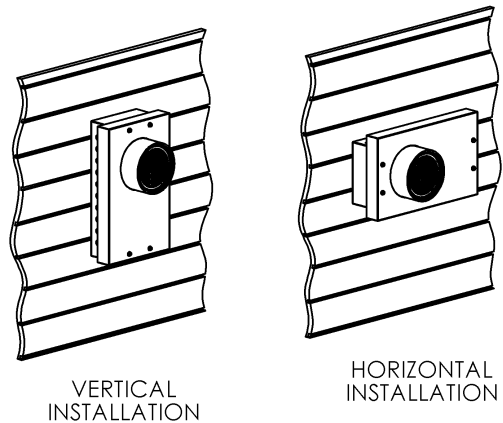


Figure 2

NOTE:
TERMINATION KIT CAN BE MOUNTED EITHER HORIZONTALLY OR VERTICALLY AS SHOWN IN FIGURE 2. REFER TO FIGURES 3 & 4 FOR MULTIPLE VENT KIT INSTALLATIONS.

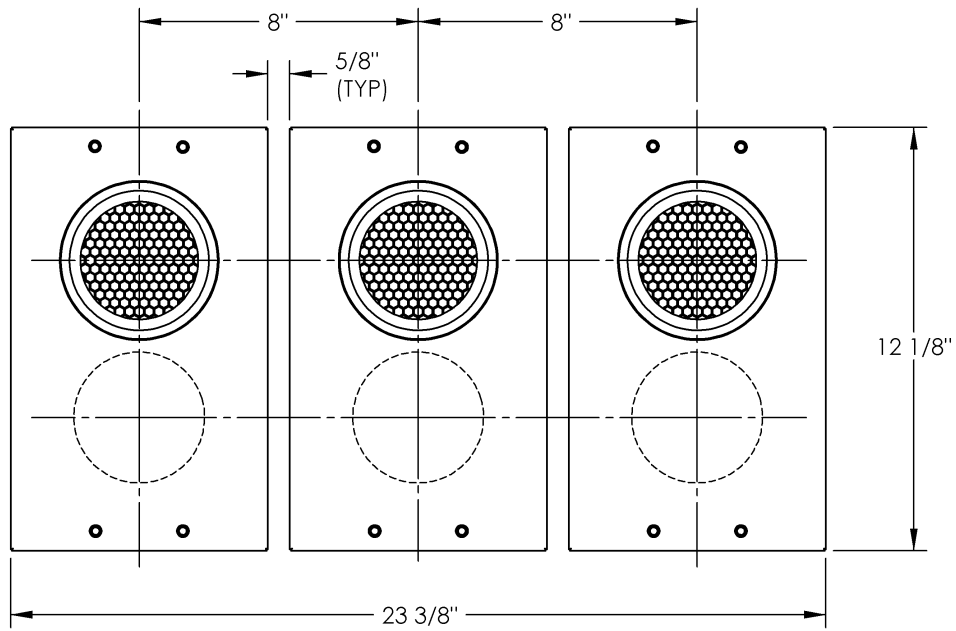


Figure 3: Multiple Stainless Steel Vertical Vent Kit Installation - Front View

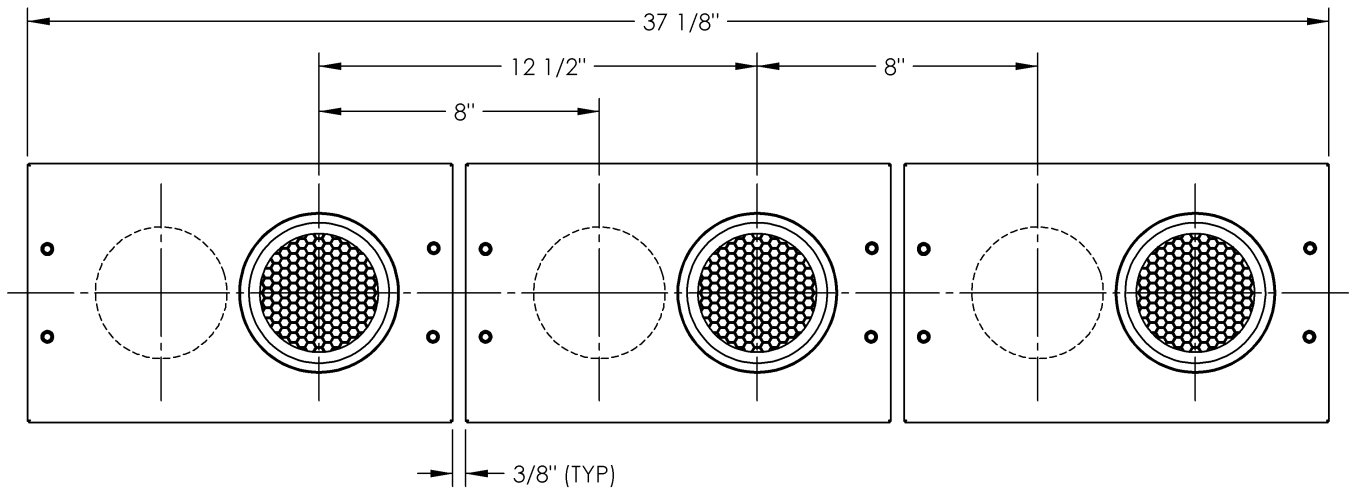


Figure 4: Multiple Stainless Steel Horizontal Vent Kit Installation - Front View

PEERLESS[®]
PUREFIRE[®]

PB HEAT, LLC

131 S. Church Street, Bally, PA 19503
www.peerlessboilers.com