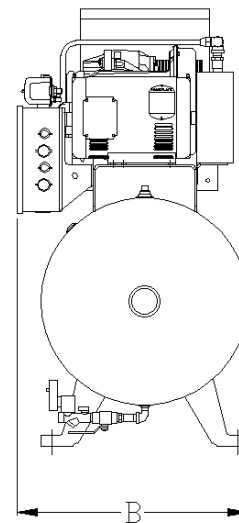
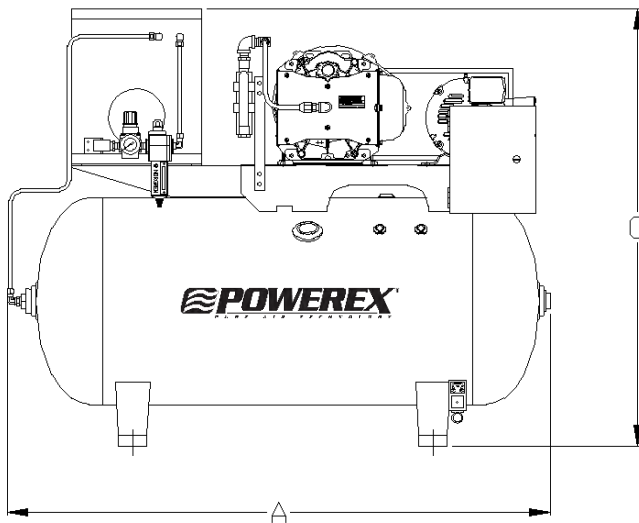
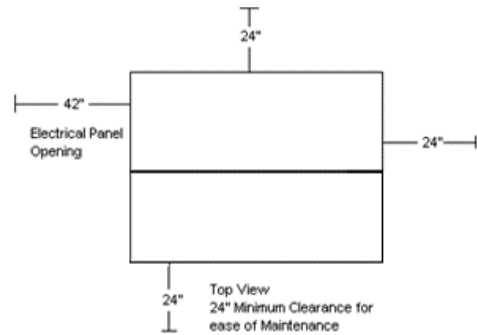


Dimensions				
Model	Dim. A	Dim. B	Dim. C	Outlet
STS0301	46"	21"	35"	1/2"
STS1301	46"	21"	35"	1/2"
STS0501	46"	21"	35"	1/2"
STS1511	46"	21"	35"	1/2"
STS0302	53"	23"	43"	1/2"
STS1302	53"	23"	43"	1/2"
STS0502	53"	23"	43"	1/2"
STS1512	53"	23"	43"	1/2"



Tankmount Scroll Air Compressors										
Model	HP ¹	SCFM @ 100 PSIG ³	Maximum Pressure (PSIG)	Tank Size (gal)	BTU/Hr	dB(A) Level	System F.L.A.			System Weight (lbs)
							208V	230V	460V	
STS0301	3	8.8 (7.1)	116 (145)	30	7,635	72	8.5	7.7	3.9	320
STS1301	3	8.8 (7.1)	116 (145)	30	7,635	72	16.8*	16	-	335
STS0501	5	15.2 (12.5)	116 (145)	30	12,725	72	14	12.7	6.3	345
STS1511	5	15.2 (12.5)	116 (145)	30	12,725	72	24	23	-	360
STS0302	3	8.8 (7.1)	116 (145)	60	7,635	72	8.5	7.7	3.9	430
STS1302	3	8.8 (7.1)	116 (145)	60	7,635	72	16.8*	16	-	445
STS0502	5	15.2 (12.5)	116 (145)	60	12,725	72	14	12.7	6.3	455
STS1512	5	15.2 (12.5)	116 (145)	60	12,725	72	24	23	-	470

Notes:

- 1 – Actual BHP is less than rated name plate. Contact Powerex for BHP rating.
- 2 – 3 Year Limited Warranty
- 3 – Systems are available with high pressure option. Values for system with high pressure option added are indicated in parentheses. "HP" is to be added to the end of the model number to designate high pressure.
- * System is usable at 208 volts, but should not be used at any value below that voltage.