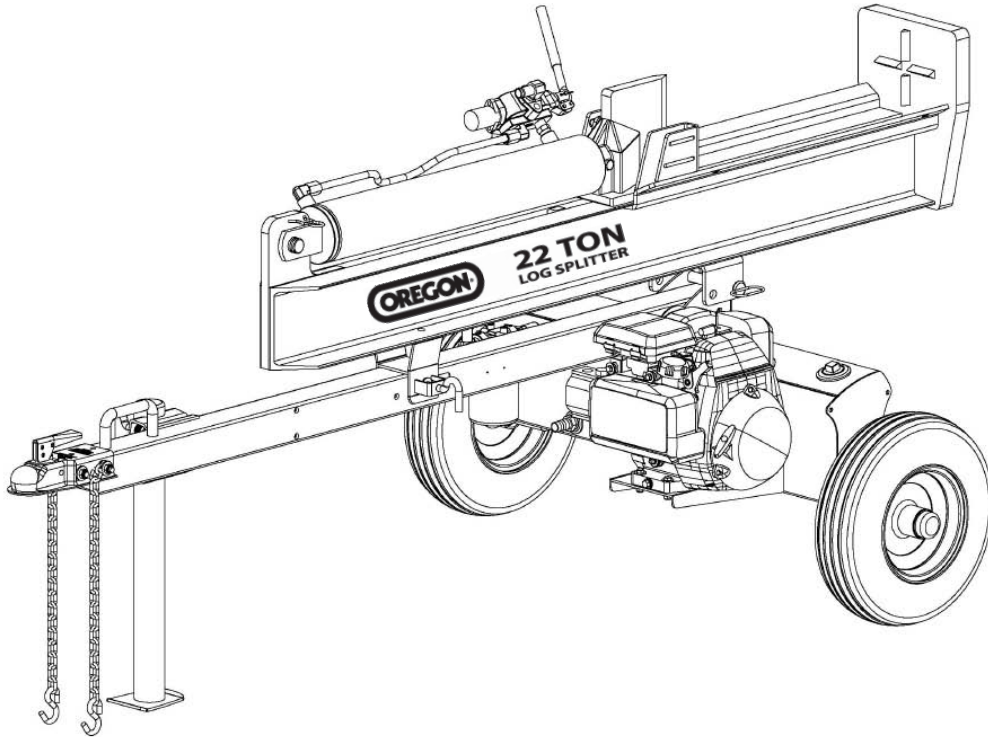




VERTICAL/HORIZONTAL 22 TON LOG SPLITTER



MODEL NO. S402022H0 & S402022K0

Owner's Manual

ASSEMBLY & OPERATING INSTRUCTIONS



WARNING: All operators must read this manual before operating this log splitter. Follow the safety instructions in the manual and in decals attached to the product. Failure to do so could result in serious injury or death.

Table of Contents

	Page(s)
Important Safety Information.....	1-6
Intended Use	1
Personal Protective Equipment	1
Safety Decals	1-2
General Safety	3
Preparation of the Log	3
Work Area	3
Operation of the Log Splitter	3-4
Repair and Maintenance Safety	4
Hydraulic Safety	5
Fire Prevention	5-6
Towing Safety	6
Assembly Instructions	7-9
Operating Instructions	13-15
Engine Oil Recommendations	15
Hydraulic Oil Recommendations	13
Starting Instructions	13
Operation	14
Towing	14
Maintenance	14
Parts Breakdown Illustrations.....	10-12
Accessories	16
Warranty Service Information	17
Specifications	Back Cover



IMPORTANT SAFETY INFORMATION



WARNING: Read and thoroughly understand all instructions in this manual and on safety decals before assembling or operating this log splitter. Failure to do so may cause serious injury or death. Do not allow anyone to operate this log splitter who has not read this manual. As with all power equipment, a log splitter can be dangerous if assembled or used improperly. Do not operate this log splitter if you have any questions concerning safe operation. To get answers to any questions, call our customer service department at 1-800-525-8322.



This is the SAFETY ALERT SYMBOL. It is used to alert you to potential personal injury hazards. Obey all safety messages that follow this symbol to avoid possible injury or death.



DANGER

DANGER indicates a hazardous situation which, if not avoided, will result in serious injury or death.



WARNING

WARNING indicates a hazardous situation which, if not avoided, could result in serious injury or death.



CAUTION

CAUTION indicates a hazardous situation which, if not avoided, could result in minor or moderate injury.

NOTICE

NOTICE is used to address practices not related to personal injury.

INTENDED USE

NEVER use this log splitter for any other purposes than splitting wood. It is designed for this use **only**. Any other use can cause serious injury or death.


PERSONAL PROTECTIVE EQUIPMENT



BEFORE operating this log splitter, make sure that you wear safety gear such as goggles or safety glasses, steel toed shoes and tight fitting gloves (without loose cuffs or draw strings). Always wear a protective hearing device when operating this log splitter.

SAFETY DECALS

Make sure that all safety warning decals are in good condition and readable. Always replace missing or defaced decals. Contact SpeeCo at 1-800-525-8322 for replacement decals.

 WARNING	 ADVERTENCIA	 AVERTISSEMENT
<p>To minimize risk of serious injury or death to you or others, when towing log splitter:</p> <ul style="list-style-type: none"> - Read manual for how to properly attach coupler to hitch ball and how to safely tow. - Use correct ball size. - Do not exceed weight capacity of ball or load limits of coupler. - Always use safety chains. - Never exceed 45 mph. - Avoid sharp turns and steep angles. - Confirm coupler tightness each time before towing and after towing 50 miles. - Replace ball or coupler if damaged. 	<p>Para minimizar el riesgo de lesiones severas o la muerte a usted o a terceros mientras remolca una cortadora de troncos:</p> <ul style="list-style-type: none"> - Lea el manual para saber cómo adherir el acople a la esfera del enganche y cómo remolcar en forma segura. - Use el tamaño de esfera correcto. - No exceda la capacidad de peso de la esfera ni los límites de carga del acople. - Siempre use cadenas de seguridad. - Nunca exceda los 45 mph. - Evite los giros bruscos y los ángulos marcados. - Revise la firmeza del acople todas las veces antes de remolcar y después de remolcar una distancia de 50 millas. - Reemplace la esfera o el acople si están dañados. 	<p>Pour minimiser les risques de blessures graves ou mortelles pour vous et pour les autres pendant le remorquage de la fendeuse hydraulique:</p> <ul style="list-style-type: none"> - Lire le manuel pour savoir comment accrocher correctement le coupleur à la boule d'attelage et remorquer de manière sécuritaire. - Utiliser une boule de la bonne grosseur. - Ne pas dépasser la capacité pondérale de la boule ni les limites de charge du coupleur. - Toujours utiliser des chaînes de sécurité. - Ne jamais dépasser une vitesse de 45 m/h. - Éviter les virages serrés et les angles d'approche accentués. - S'assurer du serrage du coupleur à chaque fois, avant et après un remorquage sur 50 miles. - Remplacer le coupleur ou la boule d'attelage s'ils sont endommagés.



IMPORTANT SAFETY INFORMATION

WARNING

To minimize the risk of serious injury or death:

- Read and thoroughly understand owner's manual and engine manual before assembly, operation, lowering and maintenance.
- Only one operator permitted. Must operate in operator safe zone. Keep all bystanders and pets away.
- Do not step or reach over splitter during operation.
- Hold logs by the sides, never by ends.
- Keep hands, body and clothing away from moving parts when splitting.
- Do not operate indoors.
- Do not check for high pressure oil leaks with your hands. Use cardboard.
- Wear safety glasses, shoes and hearing devices.
- Do not operate if tired or under influence of alcohol or drugs.

OPERATING INSTRUCTIONS

1. Place splitter on dry, level surface. Remove debris.
2. Start engine. Advance throttle to max.
3. Place log onto beam, against foot plate.
4. Split wood in direction of grain.
5. Move control handle to EXTEND or RETRACT as needed.

Control Valve
Retract
Extend

For Responsive Service or if manual is missing Call 1-800-525-8322 or visit www.speeeco.com

ADVERTENCIA

Para minimizar el riesgo de lesiones severas o la muerte:

- Lea y asegúrese de entender completamente el manual del usuario y el manual del motor antes de proceder a las operaciones de montaje, operación, remolque y mantenimiento.
- Se permite sólo un operador por vez, que debe operar en la zona segura para el operador. Todos los transeúntes y mascotas deben mantenerse alejados.
- No se pare ni pase sobre la cortadora de troncos durante la operación.
- Sostenga los troncos por los costados, nunca por los extremos.
- Mantenga las manos, el cuerpo y la ropa alejados de las partes en movimiento durante la operación.
- No opere en interiores.
- No inspeccione para determinar si hay filtraciones de aceite de alta presión con las manos, utilice cartón.
- Utilice antiparras y calzado de seguridad y dispositivo vos para la protección de los ojos.
- No opere el equipo si se siente cansado o está bajo la influencia del alcohol o las drogas.

INSTRUCCIONES DE OPERACIÓN

1. Coloque la cortadora sobre una superficie seca y nivelada. Quite toda la suciedad que haya sobre la superficie.
2. Arranque el motor. Lleve el acelerador a la posición máxima.
3. Coloque el tronco sobre el brazo, contra el pedal.
4. Corte la madera en la dirección de la veta.
5. Mueva la palanca de control para EXTENDER o RETRAER, según resulte necesario.

Válvula de control
Retraer
Extender

Para solicitar servicio o si falta el manual, llame al 1-800-525-8322 o visite www.speeeco.com

AVERTISSEMENT

Pour minimiser les risques de blessures graves ou mortelles:

- Lire et bien comprendre le manuel du propriétaire et le manuel du moteur avant tout assemblage, fonctionnement, remorquage et entretien.
- Un seul opérateur est autorisé. Doit fonctionner dans une zone sécuritaire pour l'opérateur. Tenir tous les spectateurs et animaux à distance.
- Ne pas marcher ou passer par-dessus la refendeuse pendant le fonctionnement.
- Tenir les rondins par les côtés, jamais par les extrémités.
- Tenir les mains, le corps et les vêtements éloignés des pièces mobiles lors du fendage.
- Ne pas faire fonctionner à l'intérieur.
- Ne pas vérifier les fuites d'huile à haute pression avec vos mains. Utiliser un carton.
- Porter des lunettes et souliers de sécurité ainsi qu'un dispositif de protection auditive.
- Ne pas faire fonctionner si vos facultés sont affaiblies par l'alcool ou des drogues.

DIRECTIVES DE FONCTIONNEMENT

1. Placer la refendeuse sur une surface sèche et nivelée. Enlever les débris.
2. Démarrer le moteur. Avancer la manette de poussée au maximum.
3. Placer le rondin sur la poutre, contre la palette d'appui-pied.
4. Fendre le bois dans le sens du grain.
5. Déplacer la poignée de commande pour DEPLOYER ou RETIRER, au besoin.

Válvula de control
Retraer
Extender

Pour un service attentif ou si vous n'avez pas de manuel, composez le 1-800-525-8322 ou visitez le www.speeeco.com

PART NUMBER: S52062100
LOCATION: TOP OF HYDRAULIC CYLINDER

NOTICE



To prevent damage to the hydraulic system, do not fill tank beyond "OK" range on dipstick. Use universal hydraulic fluid or DEXTRON II Transmission Fluid. Use AW 32 or 46 type hydraulic fluid.

AVISO

Para prevenir daños en el sistema hidráulico no llene el tanque más allá de la marca "OK" en la varilla. Use fluido hidráulico universal o fluido de transmisión DEXTRON II. Use fluido hidráulico tipo AW 32 o 46.

AVIS

Pour prévenir les dommages au système hydraulique, ne pas remplir le réservoir au-delà de la marque "OK" apparaissant sur la jauge graduée. Utilisez un fluide hydraulique universel ou le liquide pour Transmission DEXTRON II. Utilisez un fluide hydraulique de type AW 32 ou 46.

PART NUMBER: S52062400
LOCATION: HYDRAULIC TANK LOWER TANK, RIGHT CORNER

DANGER
Crush Hazard
Keep hands clear when cutting wedge is moving.

PELIGRO
Riesgo de aplastamiento
Mantenga las manos alejadas cuando la cuña de corte está en movimiento.

DANGER
Danger d'écrasement
Tenir les mains éloignées lorsque le bord tranchant est en mouvement.

PART NUMBER: S52062200
LOCATION: TOP OF CYLINDER

DANGER
PELIGRO
DANGER

PART NUMBER:
LOCATION: OUTSIDE OF BOTH STRIPPER PLATES



IMPORTANT SAFETY INFORMATION

GENERAL SAFETY



ALWAYS keep the operator's manual nearby for reference. Reread the manual periodically.

ALWAYS establish a safety zone restricting bystanders to a 10 foot radius around the log splitter when log splitter is in operation.

ALWAYS ensure that all operators are properly trained or have read and understood the operator's manual.

ALWAYS operate the log splitter with a clear mind, free of the influence of alcohol, drugs or medication.

ALWAYS wear close fitted clothing, free from lanyards, strings or jewelry which could be an entrapment hazard.

ALWAYS keep clothing and hair away from moving parts..

ALWAYS keep safety shields in place during operation.

WORK AREA

ALWAYS operate this log splitter on firm ground/earth.

ALWAYS wear proper footwear with adequate traction.

ALWAYS operate your log splitter in an open area. (Exhaust fumes contain carbon monoxide which can be deadly when inhaled.)

ALWAYS operate your log splitter on level ground. (Operating on a slope could cause the log splitter to roll over or logs to fall off.)

ALWAYS operate your log splitter in daylight or under good artificial light.

ALWAYS keep the work area clean. Remove split wood around the log splitter immediately so that you don't stumble over it.

PREPARATION OF THE LOG

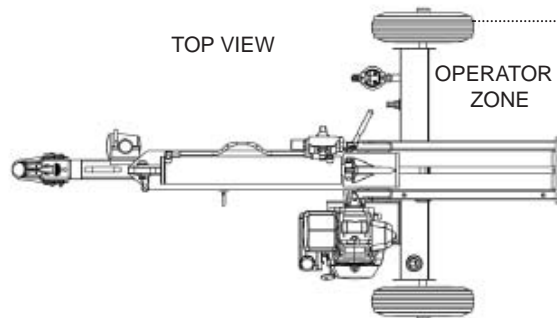
Both ends of the log should be cut as square as possible to help prevent the log from riding out of the splitter during operation. Do not split logs greater than 26 inches in length.



IMPORTANT SAFETY INFORMATION

OPERATION OF THE LOG SPLITTER

ONLY operate the log splitter from the operator zone as shown in the diagram. The operator has the safest and most efficient access to the control valve and the beam in this location. Operating the log splitter in another location can result in serious injury or death.



ALWAYS block the wheels to prevent movement of the log splitter while in operation.

KNOW how to stop the log splitter and disengage the controls before operating it.

NEVER place hands or feet between the log and splitting wedge during forward or reverse stroke as this could result in serious injury or death.

NEVER straddle or step over the log splitter during operation.

NEVER reach or bend over the log splitter to pick up a log.

NEVER try to split two logs on top of each other.

NEVER try to cross split a log.

NEVER attempt to load the log splitter when the ram or wedge is in motion.

NEVER use your foot, a rope or any extension device to operate the control lever on the valve. Only use hand.

NEVER move the log splitter while the engine is running. Shut off the engine if you are leaving the log splitter, even for a short period of time.

NEVER touch the muffler and other hot areas of the engine during operation. Wait until the engine cools down.

ALWAYS be careful when moving or lifting the log splitter. Get assistance if it feels too heavy to move by yourself.

GENERAL REPAIR

NEVER operate your log splitter when it is in poor mechanical condition or in need of repair.

NEVER alter your log splitter in any manner. Such alterations may cause your log splitter to be unsafe and will void the warranty.

NEVER tamper with the engine to run it at excessive speeds. The maximum engine speed is preset by the manufacturer and is within safety limits. Refer to the engine owner's manual for your particular log splitter.



IMPORTANT SAFETY INFORMATION

NEVER perform any service or repair on your log splitter without first removing the spark plug wire.

ALWAYS perform all recommended maintenance procedures before using your log splitter.

ALWAYS check the level of hydraulic oil and engine oil before operation.

ALWAYS periodically check that all nuts, bolts, screws, hydraulic fittings and hose clamps are tight.

ALWAYS replace all damaged or worn parts immediately.

ALWAYS be sure that all replacement parts meet manufacturer's specifications.

MAINTENANCE & SAFETY

The hydraulic system of your log splitter requires careful inspection along with the mechanical parts. Be sure to replace frayed, kinked, cracked or otherwise damaged hydraulic hoses or hydraulic components.

NEVER check for leaks of hydraulic fluid with your hand. Fluid escaping from a small hole can be almost invisible. Escaping fluid under pressure can have sufficient force to penetrate skin causing **SERIOUS INJURY** or even **DEATH**. Leaks can be safely detected by passing a piece of cardboard over the suspected leak and looking for discoloration.

NEVER remove the cap from the hydraulic tank or reservoir while the log splitter is running. The tank could contain hot oil under pressure which could result in serious injury.

NEVER adjust the hydraulic valve. The pressure relief valve on your log splitter is preset at the factory. Only a qualified service technician should perform this adjustment.

ALWAYS seek professional medical attention immediately if injured by escaping hydraulic fluid. Serious infection or reaction can develop if proper medical treatment is not administered immediately.

ALWAYS be sure to relieve all pressure by shutting off the engine and moving the valve control handle back and forth should it become necessary to loosen or remove any hydraulic fitting.

FIRE PREVENTION

NEVER operate your log splitter near a flame or spark or smoke during operation. Hydraulic oil and gasoline are flammable and can explode.

NEVER fill the gas tank while the engine is hot or running. Allow the engine to cool before refueling.

ONLY refuel your log splitter in a clear area with no gas fumes or spilled gas.

ALWAYS replace the gas cap securely.

If gasoline has spilled, move the log splitter away from the area of the spill and avoid creating any source of ignition until the spilled gas has evaporated.

ALWAYS drain the fuel tank prior to storage to avoid the potential fire hazard.

ALWAYS store gasoline in an approved, tightly sealed container and away from heating appliances. Store the container in a cool, dry place.



IMPORTANT SAFETY INFORMATION

IMPORTANT NOTE – (spark arrester):

As a precautionary measure against possible flying sparks, always take a Class B fire extinguisher with you when operating this log splitter in dry areas. This log splitter is equipped with an internal combustion engine and should not be used on or near any unimproved forest-covered, brush-covered or grass-covered land unless the engine's exhaust system is equipped with a spark arrester meeting applicable local or state laws (if any). If a spark arrester is used, it should be maintained in effective working order by the operator. In the state of California, a spark arrester is required by law. Other states have similar laws. Federal laws apply on federal lands. A spark arrester muffler is optional and available as an accessory at your nearest engine dealer. Always check the legal requirements in your area.

TOWING SAFETY

NEVER attempt to move your log splitter over hilly or uneven terrain without a tow vehicle or adequate help.

NEVER carry any cargo or wood on your log splitter.

NEVER allow anyone to sit or ride on your log splitter.

NEVER exceed 45 mph when towing your log splitter. Towing the log splitter at speeds higher than 45 mph could result in loss of control, damage to the equipment, or serious injury or death. Adjust towing speed for terrain and conditions. Be extra cautious when towing over rough terrain, especially railroad crossings, and avoid sharp turns and steep angles when towing your log splitter.

NEVER exceed weight capacity of ball or load limits of coupler.

ALWAYS confirm coupler tightness each time before towing and after towing 50 miles.

ALWAYS disconnect your log splitter from the towing vehicle before operating it.

ALWAYS be careful when backing up with your log splitter in tow. It could jackknife.

ALWAYS allow for added length of your log splitter when turning, parking, crossing intersections and in all driving situations.

ALWAYS use safety chains when towing your log splitter.

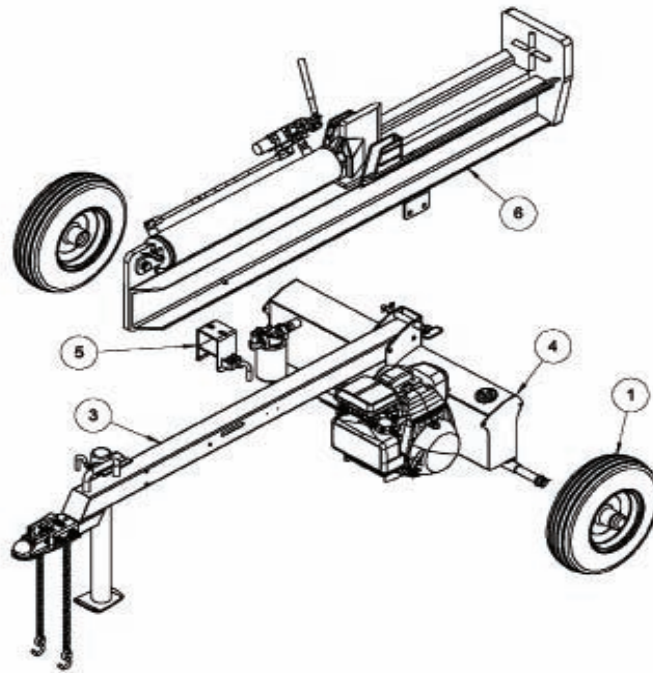
ALWAYS check all local and state regulations regarding towing, licensing, and lights before towing your log splitter.

ALWAYS check before towing to make sure that the log splitter is correctly and securely attached to the towing vehicle and that the safety chains are secured to the hitch or bumper of the vehicle with enough slack to allow turning. Always use a Class I, 2" ball with this log splitter.

ALWAYS replace ball or coupler if damaged.

ALWAYS turn the fuel shut off valve on the engine to the "OFF" position before towing the log splitter. Failure to do so may result in flooding the engine.

ASSEMBLY INSTRUCTIONS

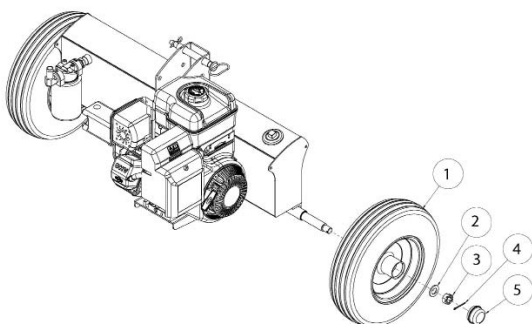


ITEM NO.	DESCRIPTION	QTY.
1	Road-Speed Tire and Wheel	2
2	Hardware Kit (not shown)	1
3	Tongue Assembly	1
4	Tank Assembly	1
5	Beam Lock Assembly	1
6	Beam Assembly	1

NOTE: This log splitter was partially assembled at the factory. Refer to the drawing and parts list should it become necessary to disassemble the unit for repair or replacement of parts.

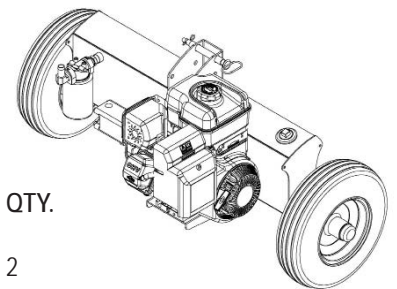
STEP 1: Remove all the components from the shipping container. Inspect each piece for shipping damage. If any part is damaged, contact your dealer or delivering carrier.

STEP 2: Attach the two wheels (1) to the tank assembly wheel spindles using the 3/4" light flat washers(2), 3/4" NF slotted nuts (3), 1/8" x 1-1/2" cotter pins (4) and the hub caps (5). These items are in the hardware package. Tighten the slotted nuts and make sure the wheels rotate freely.

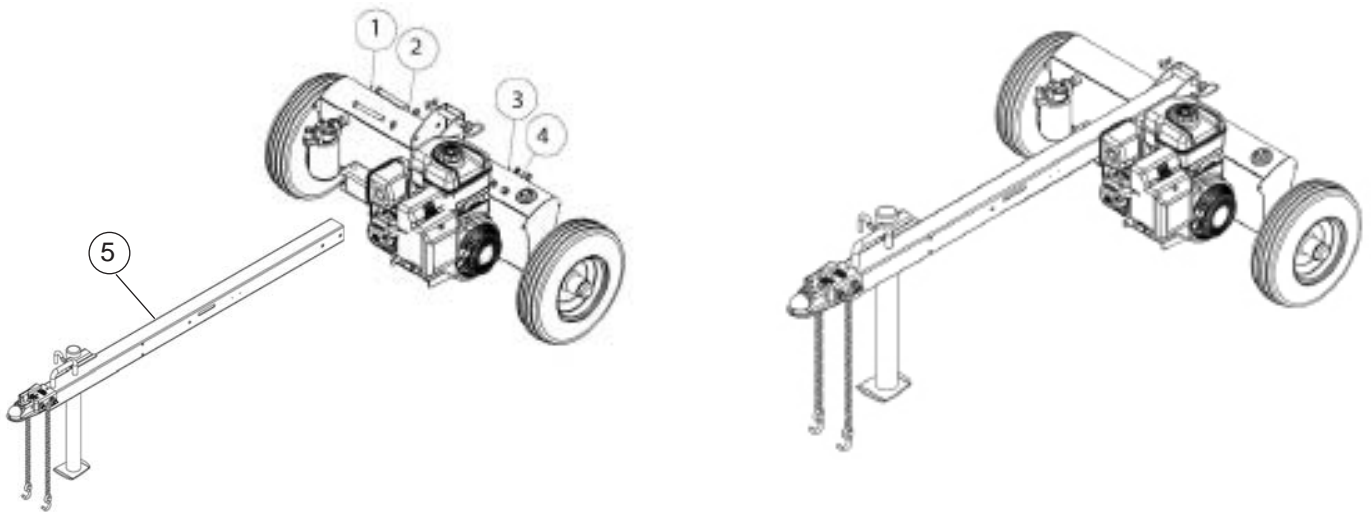


ITEM NO..	DESCRIPTION	QTY.
1	Tire and Wheel	2
2	3/4" Light Flat Washer	2
3	3/4" Slotted Nut	2
4	1/8" x 1-1/2" Cotter Pin	2
5	Hub Cap	2

O/L- Obtain locally. Common fasteners available through hardware and farm stores.

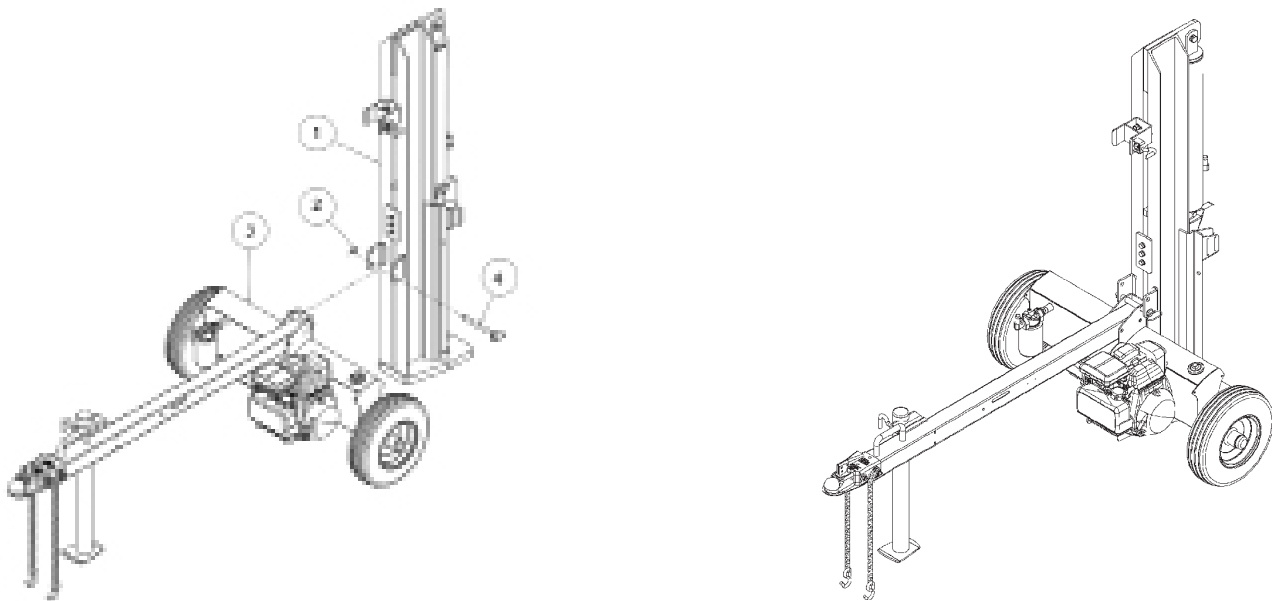


STEP 3: Attach the tongue assembly (5) to the tank assembly (1) using two 1/2" NC x 4-1/2" hex cap bolts (2), two 1/2" lock washers (3) and two and two 1/2" hex nuts (4). Tighten.



ITEM NO.	DESCRIPTION	QTY.
1	Tank Assembly	1
2	1/2" NC x 4-1/2 Hex Bolt	2
3	1/2" Lock Washer	2
4	1/2" NC Hex Nut	2
5	Tongue Assembly	1

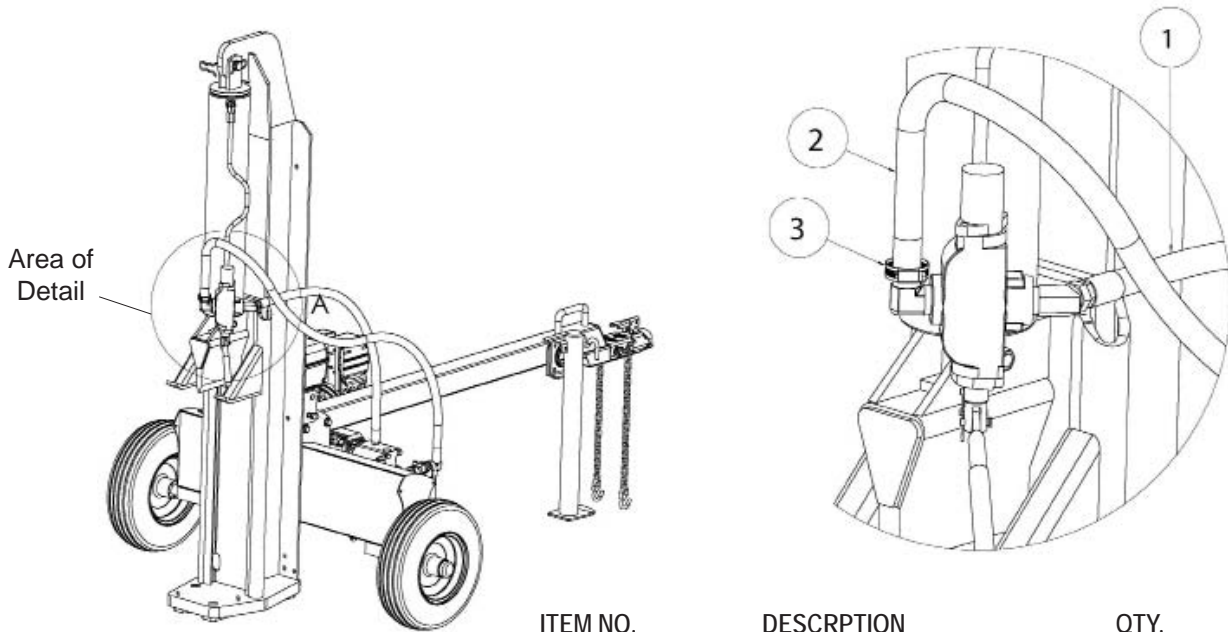
STEP 4: Stand the beam (1) up on end. Two people may be needed for this step to ensure safety. Make sure that the beam is stable and on a level surface. Remove the pivot pin (3) and clip pin (2) from the tank assembly. Roll the tongue/ tank assembly into position between the two tabs on the beam (1). Slide the pivot pin (3) through the aligned holes and lock in place with the clip pin (2).



ITEM NO.	DESCRIPTION	QTY.
1	Beam	1
2	1/2"-3/4" R Clip Pin	1
3	Tank/Tongue Assembly	1
4	Pivot Pin	1

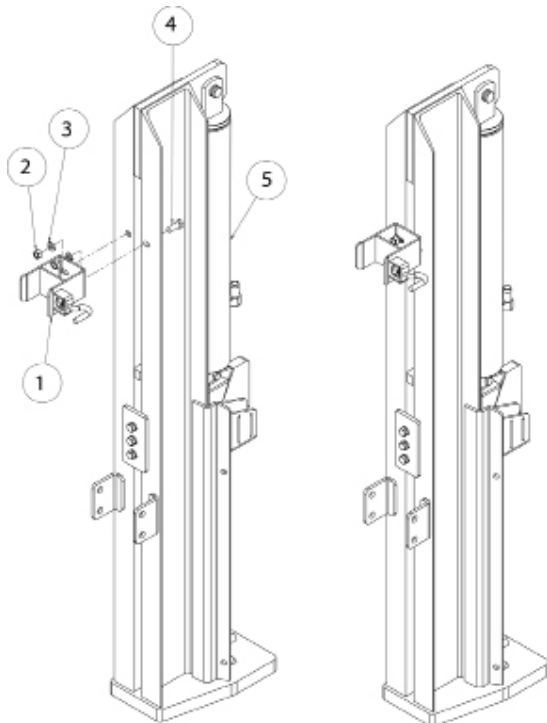
STEP 5: Connect the end of the 1/2" ID x 38" hydraulic pressure hose (1) coming from the fitting on the pump to the fitting on the valve. See illustrations below.

STEP 6: Slide one hose clamp on the end of the 1/2" x 56" hydraulic return hose (2) that comes from the fitting on the filter. Then connect the hose to the fitting on the valve. Tighten hose clamps. See illustrations below.



ITEM NO.	DESCRIPTION	QTY.
1	1/2" X 38" Pressure Hose	1
2	3/4" x 56" Return Hose	1
3	Worm Gear Clamp	3

STEP 7: Loosely attach the latch assembly (1) to the bottom side of the beam as shown in the diagram using the two 1/2" x 1-1/4" GR 5 hex cap bolts (4), the two 1/2" lock washers (3) and the two 1/2" hex nuts (2). Lower the beam onto the tongue. Center the latch assembly on the tongue and tighten hardware.

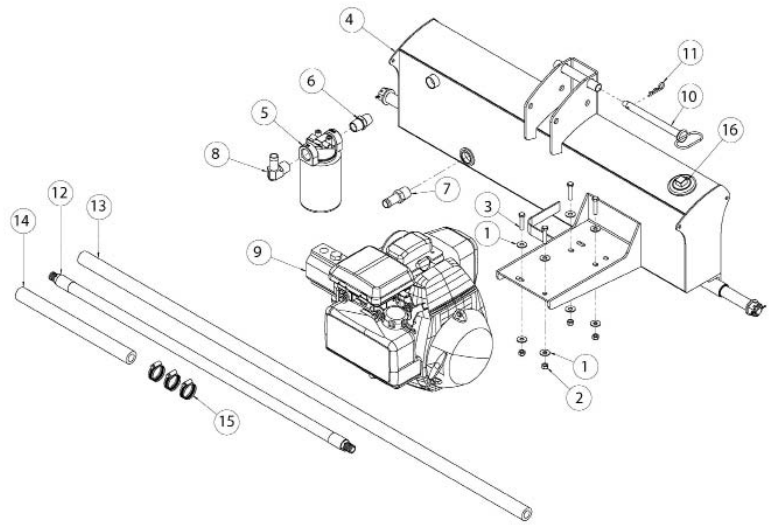


ITEM NO.	DESCRIPTION	QTY.
1	Beam Lock	1
2	1/2" Hex Nut	2
3	1/2" Lock Washer	2
4	1/2" x 1-1/4" GR5 Hex Cap Bolt	2
5	Beam Assembly	1

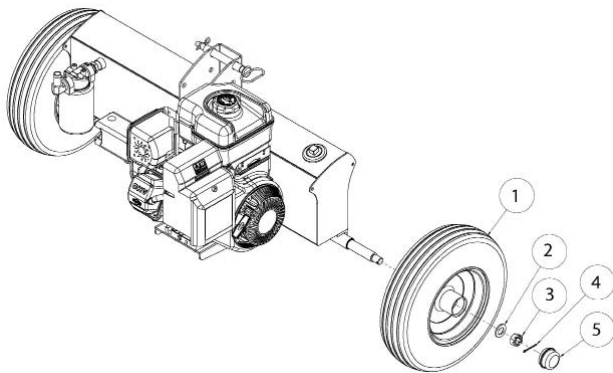
REPLACEMENT PARTS

TANK/ENGINE ASSEMBLY BREAKDOWN

ITEM NO.	PART NO.	DESCRIPTION	QTY.
1	O/L	5/16" Flat Washer	8
2	O/L	5/16"-18UNC Nylock Nut	4
3	O/L	5/16" x 1-1/2" GR 5 Bolt	4
4	S40118800	Tank	1
5	S390604B0	Filter Base	1
5A	S390601A0	Filter Element	1
6	S39034900	3/4" Hex Nipple	1
7	S39038300	Straight Fitting, 3/4" NPT to 3/4" ID Tube	1
8	S39032000	3/4" NPT x 3/4" Tube	1
9	S39037100 S39074000	Pump/Honda Engine Assy. or Pump/Kohler Engine Assy.	1
10	S071022WC	Pivot Pin	1
11	O/L	1/2"-3/4" Hairpin Cotter	1
12	S39027500	1/2" x 38" Pressure Hose	1
13	3S9027400	3/4" x 56" Return Hose	1
14	S39027300	3/4" Suction Hose	1
15	S39031600	Worm Gear Clamp	3
16	S39037600	Breather Cap/Dip Stick	1



O/L- Obtain locally. Common fasteners available through hardware and farm stores.

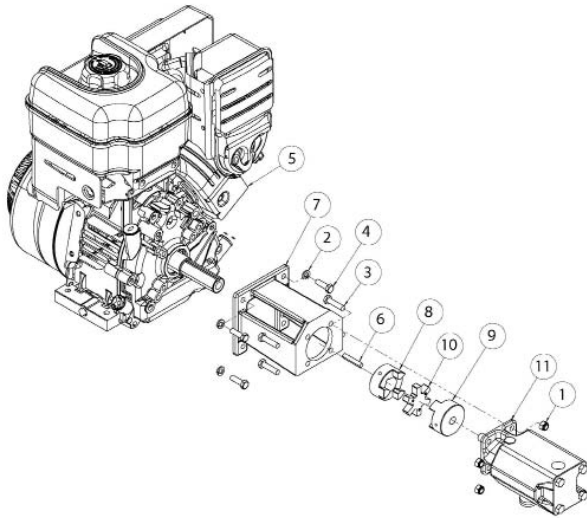


WHEEL ASSEMBLY BREAKDOWN

ITEM NO.	PART NO.	DESCRIPTION	QTY.
1	S400312B0	Tire and Wheel	2
2	O/L	3/4" Light Flat Washer	2
3	S17012000	3/4" Slotted Nut	2
4	O/L	1/8" x 1-1/2" Cotter Pin	2
5	S40033200	Hub Cap	2

O/L- Obtain locally. Common fasteners available through hardware and farm stores.

ENGINE/PUMP ASSEMBLY BREAKDOWN



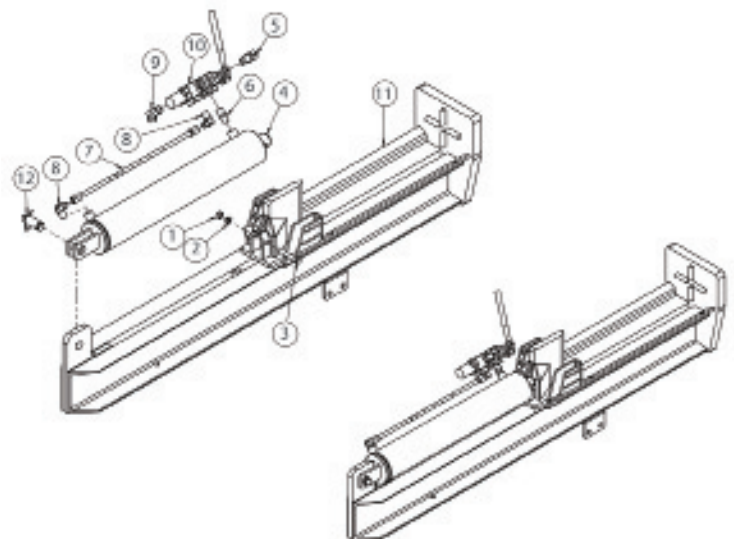
ITEM NO.	PART NO.	DESCRIPTION	QTY.
1	O/L	5/16"-18 UNC Nylock Nut	4
2	O/L	5/16" Regular Lock Washer	4
3	O/L	5/16" x 1-1/4" GR5 Hex Bolt	4
4	O/L	5/16" x 1 UNF GR5 Hex Bolt	4
5	S39053100 S39055000	Honda GC190 Engine or Kohler SH265 Engine	1
6	S40034800	3/16" x 1" Square Key	1
7	S40081200	Pump Mount	1
8	S400835L0	Jaw Coupler 3/4" Bore	1
9	S400833L0	Jaw Coupler 1/2" Bore	1
10	S400834L0	Rubber Coupler Spider	1
11	S390705B0	11 GPM Pump	1

O/L- Obtain locally. Common fasteners available through hardware and farm stores.

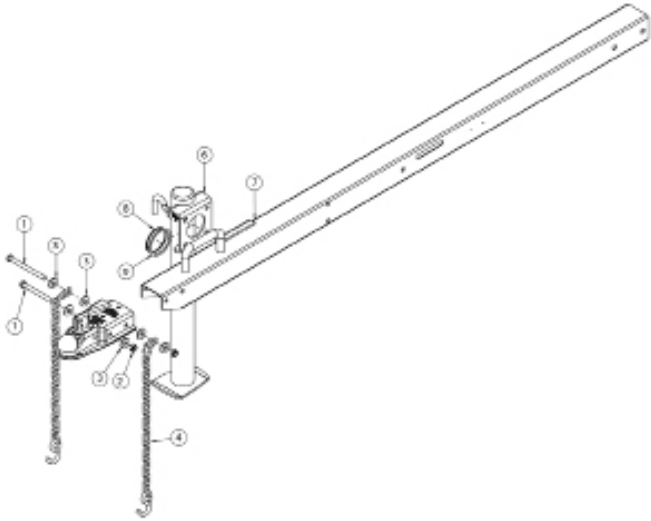
BEAM ASSEMBLY BREAKDOWN

ITEM NO.	PART NO.	DESCRIPTION	QTY.
1	O/L	1/2" Hex Nut	1
2	O/L	1/2" Lock Washer	1
3	O/L	1/2" x 3-1/4" GR5 Bolt	1
4	S390118BC	4" x 24" Cylinder	1
5	S39032000	3/4" NPT x 3/4" Tube	1
6	S39034300	1/2" NPT Nipple	1
7	S39034600	1/2" Steel Tubing	1
8	S39034700	1/2" Pipe Fitting	2
9	S39039000	45° Swivel Fitting, 3/4"M, 1/2"F	1
10	S390406A0	Valve	1
11	S40200100	Beam Assembly	1
12	S07073100	Cylinder Pin	1

O/L- Obtain locally. Common fasteners available through hardware and farm stores.



TONGUE ASSEMBLY BREAKDOWN



ITEM NO.	PART NO.	DESCRIPTION	QTY.
1	O/L	M10 x 1.5 x 120mm GR5 Bolt	2
2	O/L	M10 x 1.5 Nylock Nut	2
3	O/L	M10 Flat Washer	6
4	S40032300	Chain w/Hook	2
5	S40034600	Hitch Ball Assembly	1
6	S40127400	Ground Stand	1
7	S401215A0	Tongue	1
8	S9114-1	Retaining Ring	1
9	S9132-1	Washer	1

O/L- Obtain locally. Common fasteners available through hardware and farm stores.

OPERATING INSTRUCTIONS



WARNING: Read and thoroughly understand all instructions and safety information before operating this log splitter. Failure to do so may cause serious injury or death. Do not allow anyone to operate this log splitter who has not read this manual. As with all power equipment, a log splitter can be dangerous if assembled or used improperly. Do not operate this log splitter if you have doubts or questions concerning safe operation. Call our customer service department at 1-800-525-8322 to address these concerns.



IMPORTANT: Hydraulic oil and engine oil is provided with this log splitter. It needs to be filled with both types of oil before operation. Please follow the instructions below for filling the hydraulic tank. Refer to your engine owner's manual for information on adding oil.



CAUTION: DO NOT START OR RUN THE ENGINE BEFORE ADDING OIL IN THE HYDRAULIC RESERVOIR AND OIL IN THE ENGINE.

STEP 1: The hydraulic reservoir must be filled with oil before operation. AW46 hydraulic oil is recommended when oil is needed. Automatic transmission fluid can be substituted and should be used instead of hydraulic oil when temperatures are below 32 degrees F. Use only clean oil and take care to prevent dirt from entering the hydraulic reservoir. Fill the hydraulic tank with approximately 3.5 to 4.0 gallons of hydraulic fluid



CAUTION: WHEN TIGHTENING THE BREATHER CAP ON THE TANK, POINT THE HOLE AWAY FROM THE ENGINE AND THE OPERATOR ZONE.

ENGINE OIL RECOMMENDATIONS (Honda GC190)

For temperatures above 40 degrees F use an SAE 30W oil. Using multigrade oil may increase oil consumption. Using SAE 30W oil below 40 degrees F will result in hard starting and possible engine bore damage. For temperatures below 40 degrees F use an SAE 10W-30 or SAE 5W-30 oil. Oil capacity is about 1.16 quart (1.1 liter).

STEP 2: After the hydraulic reservoir and the engine crankcase are filled with oil, start the engine. The hydraulic pump should prime itself. With the engine running, move the hydraulic valve lever toward the foot plate. This will cause the cylinder to extend and expel air. When the cylinder is fully extended, retract it. Repeat this procedure several times. An erratic movement of the cylinder indicates that there is still air in the system. Add about 1.0 to 1.5 gallons more. Five gallons will register just above the top fill line on the dip stick. The total capacity of the entire hydraulic system is 6.5 gallons. **NOTE:** If the tank is overfilled it will tend to expel oil from the breather cap when the cylinder is retracted. Cycle the cylinder again until it has a constant speed indicating that all air has been expelled.

STARTING INSTRUCTIONS (Honda GC190)

Refer also to the Honda Engine Operating and Maintenance Instructions manual for your log splitter.

To Start a Cold Engine

- 1) Turn the fuel valve to the ON position.
- 2) Move the choke to the ON position.
- 3) Move the throttle control to the FAST position.
- 4) Pull the starter grip lightly until resistance is felt. Then pull rapidly to start engine.
- 5) Move the choke lever to the OFF position if it was used to start the engine as soon as it warms up enough and is running smoothly.
- 6) When engine starts, move the throttle to the FAST position. It is recommended that the engine be operated in the FAST position for maximum performance.

To Start a Warm Engine

- 1) Move the throttle lever to the FAST position.
- 2) Leave the choke lever in the OFF position.
- 3) Pull the starter grip until the engine starts.

To Stop the Engine

- 1) Move the throttle lever to the SLOW position.
- 2) Move the throttle lever to the STOP position.
- 3) Turn the fuel valve to the OFF position.

ENGINE OIL RECOMMENDATIONS (Kohler SH265)

For temperatures above 32 degrees F use an 10W-30 oil. Using mutigrade oil may increase oil consumption. Using SAE 30W oil below 40 degrees F will result in hard starting and possible engine bore damage. For temperatures below 32 degrees F use an SAE 5W-20 or SAE 5W-30 oil. Oil capacity is about 1.16 quart (1.1 liter).

STARTING INSTRUCTIONS (Kohler SH265)

Refer also to the Kohler Engine Operating and Maintenance Instructions manual for your log splitter. Refer to engine manual for oil recommendations.

- 1) Move the fuel lever to the "ON" position.
- 2) For a cold engine put the throttle control midway between "SLOW" and "FAST." Place the choke control into the "ON" position.
- 3) For retractable start engine turn engine ON/OFF switch to "ON." Slowly pull the starter handle to just past compression. STOP! Return starter handle. Pull firmly with a smooth steady motion until it starts.
- 4) Gradually return the choke control to the "OFF" position after the engine starts and warms up.
- 5) For a warm engine put the throttle control between "SLOW" and "FAST." A warm engine usually does not require the choke on.

STOPPING THE ENGINE

- 1) If possible, remove the load.
- 2) Move the throttle control to the "SLOW" or "LOW" idle position.
- 3) Turn key switch or on/off switch to "OFF." Move throttle to "STOP" position if equipped.
- 4) Close the fuel shut-off valve.



CAUTION: *TURN FUEL SHUT OFF VALVE TO THE "OFF" POSITION PRIOR TO TOWING. FAILURE TO DO SO MAY RESULT IN FLOODING THE ENGINE.*

NOTE: The engine maximum governed speed is preset at the factory at 3600 RPM no load speed. When splitting wood the throttle should be set at the maximum speed to develop the horsepower required for the pump.

OPERATION



WARNING: *See safety information related to operation of the log splitter in the safety section of this manual. Make sure that you have the recommended personal protective equipment described on page 1.*

- 1) Set up the log splitter in a clear, level area and block the wheels. Make sure that the suction port on the tank is always on the lower side of the log splitter.
- 2) For horizontal operation place a log on the beam against the foot plate. Make sure the log is securely on the foot plate and up against the beam. To split wood in the vertical position, release the pin on the beam latch located near the front end of the beam. Carefully tilt the beam up until the foot plate is sitting squarely on the ground and the log splitter is stable. Place the log on the foot plate up against the beam. When the beam is returned to the horizontal position make sure the beam latch is securely locked down. See illustrations of beam latch in Step 7 on page 9.
- 3) With the engine running, depress the valve handle so that the cylinder will drive the wedge into the log. Extend the cylinder until the log splits or to the end of its stroke. If the log has not completely split after the cylinder has reached the end of its extension, retract the cylinder.
IMPORTANT: Leaving the valve in the "actuate" position at the end of the stroke may damage the pump. Always use extra care when splitting logs with unsquare ends.

NOTE: For operation in wooded areas, obtain a spark arrestor for the exhaust system. See the engine operating and maintenance manual and check with your authorized Honda or Kohler service center. See also Fire Prevention on page 5 of this manual.

IMPORTANT: *TO EXTEND THE LIFE OF THE HYDRAULIC CYLINDER, AVOID "BOTTOMING OUT" WEDGE PLATE TO THE FOOT PIECE. TO CONFORM WITH INDUSTRY SAFETY RECOMMENDATIONS, THE WEDGE STOPS 1.5 INCHES FROM THE END OF THE STROKE.*

TOWING

This log splitter is equipped with pneumatic tires, a Class I coupler (2 in. diameter ball required) and safety chains. Before towing, the safety chains must be secured to the hitch or bumper of the vehicle. Local regulations should be checked regarding licensing, lights, towing, etc. Turn fuel shut off valve on the engine to the "Off" position prior to towing. Failure to do so may result in flooding the engine. Do not exceed 45 mph when towing this log splitter. See also Towing Safety on page 6 of this manual.

MAINTENANCE

- 1) Consult the operating and maintenance instructions of the engine manufacturer for engine care and maintenance.
- 2) Always check the oil level of the hydraulic reservoir before operation. Operating the log splitter without an adequate oil supply will cause severe damage to the pump.
- 3) Change the oil filter after the first 25 hours of operation. There after change the oil filter every 100 hours or seasonally, whichever comes first.
- 4) To drain the hydraulic oil, loosen the clamp on the hose coming from the fitting on the bottom of the tank. It is located just to the right of the oil filter.
- 5) If the wedge becomes dull or nicked, it can be removed and sharpened. Remove the 1/2 in. diameter bolt that connects the wedge to the cylinder. hose from the valve. The hose from the valve may need to be removed. Carefully lift the cylinder to allow the wedge to slide forward. The wedge can now be lifted off and sharpened.
- 6) Clean the breather cap after 25 hours of operation. Clean it more often when operated in dusty conditions. To clean, remove the breather cap from the tank and flush with kerosene or liquid detergent to remove the dirt.
- 7) See also Repair and Maintenance Safety on page 4 of this manual.
- 8) All replacement parts must meet manufacturer's specifications.

Log Splitter Accessories

Make your log splitter more productive with these optional accessories!

S40200600 Log Catcher Bolts onto side of the log splitter beam in minutes. Saves time. Saves your back. Holds the split log off to the side until you are ready to quarter it. No more bending over to pick up half split logs.



S40201200 Four Way Wedge Double your productivity with this handy attachment. Just slip the 4-way wedge over the standard wedge. Then secure with cable and lynch pin.



IMPORTANT NOTICE

We, the manufacturer, reserve the right to change the product and/or specifications in this manual without notification. The manual is for information usage only and the pictures and drawings depicted herein are for reference only.

== NOTES ==

Warranty Repair and Service

Do not return this product to the store for warranty issues or repair. Call 1-800-525-8322 for the location of the nearest service center.

Record the information below for future reference.

Model No. _____

Serial No. _____

Date of Purchase _____

Place of Purchase _____

SPECIFICATIONS

Engine	Honda GC190 or Kohler SH265
Pump	Two-Stage, 11 gpm
Cylinder	4 in. Diameter x 24 in. Stroke
Valve	Auto-Return
Maximum Splitting Force	22 Tons*
Maximum Log Length	26 in.
Cycle Time	13 Seconds*
Wheels	4.80 x 8 in. Road -Speed
Wedge	8 in. High with Spreader Wings
Beam	6 in. x 9 in. with Built-In Log Cradle
Hydraulic Capacity	6.5 Gal. Maximum
Filter	Spin-On Replaceable
Height	43 in. in Horizontal Position
Length	95 in.
Width	49 in.
Weight	595 lbs.

*Tonnage and cycle times may vary dependent upon mechanical and environmental conditions.



Oregon Products
15000 W. 44th Ave.
Golden, CO 80403
Toll Free USA 800-525-8322
www.oregonproducts.com