



OPERATING INSTRUCTIONS AND PARTS MANUAL

For assembly, set up and operational use. 2 - 11

MANUEL DES CONSIGNES D'UTILISATION ET DES PIÈCES

Pour le montage, le réglage et l'utilisation. 12 - 21

MANUAL DE PIEZAS E INSTRUCCIONES DE FUNCIONAMIENTO

Para armado, instalación y uso operativo. 22 - 31

ML750
ML750P

Mower Lift

Lève tondeuse

Elevadora para podadoras

500 lbs. / 227 kg

Wheel bracket
Supports de roue

SopORTE de rueda

750 lbs. / 340 kg

Lift Platform

Plate-forme de levage

Plataforma de elevación

READ INSTRUCTIONS
THOROUGHLY BEFORE OPERATING

LIRE CES DIRECTIVES EN ENTIER
AVANT L'UTILISATION

LEA LAS INSTRUCCIONES CON ATENCIÓN
ANTES DE UTILIZAR EL DISPOSITIVO

Capacité



This is the safety alert symbol. It is used to alert you to potential personal injury hazards. Obey all safety messages that follow this symbol to avoid possible injury or death.

SAVE THESE INSTRUCTIONS

For your safety, read, understand, and follow the information provided with and on this lift. The owner and operator of this equipment shall have an understanding of this lift and its safe operating procedures before attempting to use. The owner and operator shall be aware that use and repair of this product may require special skills and knowledge. If any doubt exists as to the safe and proper use of this lift, remove from service immediately.

INSPECT BEFORE EACH USE

Do not use if broken, bent, cracked or damaged parts are noted. Any lift that appears damaged in any way, operates abnormally or is missing parts must be removed from service immediately. If the lift has been or is suspected to have been subjected to a shock load (a load dropped suddenly, unexpectedly upon it), immediately discontinue use until it has been examined by an OREGON® authorized service center. It is recommended that an annual inspection be done by qualified personnel. Labels and Operator's Manuals are available from OREGON®.

Warning

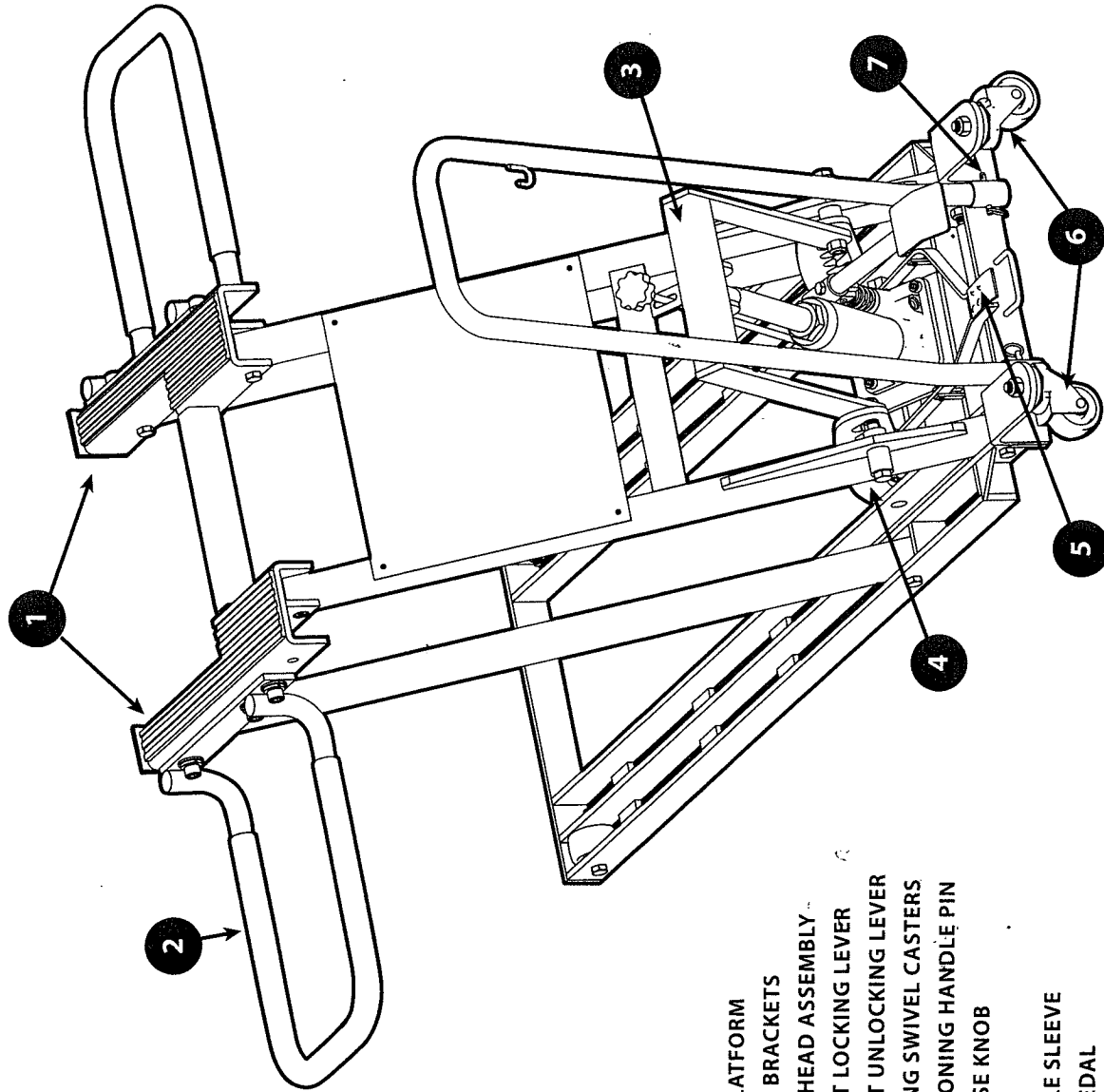


- Study, understand and follow all instructions before operating this device.
- Use of this product is limited to lifting, lowering and holding loads consisting of a single riding lawn mower whose lifting points are compatible with the lifting platform. Incompatibility is evident when the loaded mower wobbles, appears unstable, and/or does not securely engage the lift platform.
- Do not exceed rated capacity.
- Use only on hard, level surfaces.
- Center load on lift platform.
- When lifting the mower, center track between wheel cradles.
- Immediately after lifting load, ensure Height Locking Lever is engaged.
- Engage locking caster mechanism before working on or around loaded lift. Do not move device once loaded.
- Never work on, around or under a load that is not secured and stable.
- Keep operator's and bystander's head, hands and feet away from lift arms when raising and lowering.
- No alterations shall be made to this product.
- Failure to heed this warning may result in personal injury and/or property damage.

Specifications

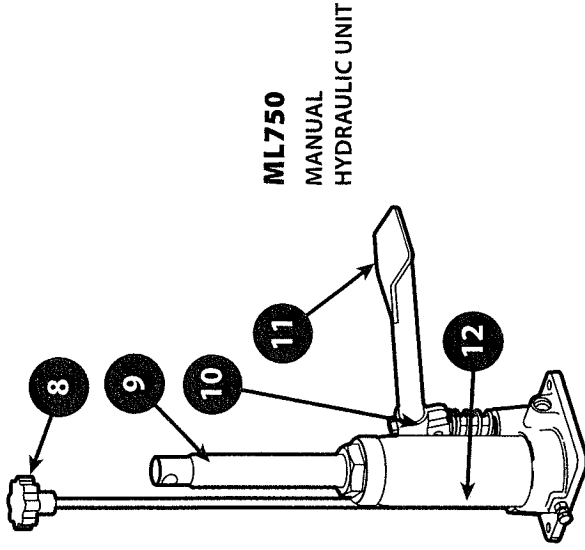
BASE SIZE (L X W)	LIFT SURFACE	CAPACITY	COMPATIBLE WHEEL TRACK	MINIMUM HEIGHT	MAXIMUM HEIGHT
53-1/2" x 17"	Platform Wheel Bracket	750 lbs. 500 lbs.	N/A 55-1/2" outside span	4-1/2"	31" 27"

Product Description

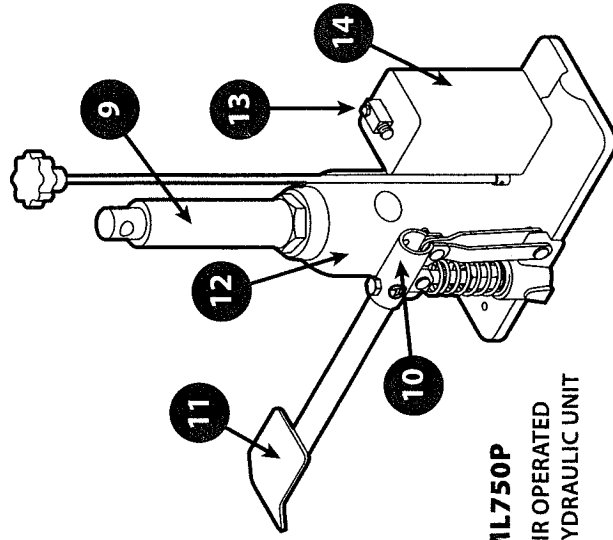


ML750 / ML750P

- 1 LIFT PLATFORM
- 2 WHEEL BRACKETS
- 3 CROSSHEAD ASSEMBLY
- 4 HEIGHT LOCKING LEVER
- 5 HEIGHT UNLOCKING LEVER
- 6 LOCKING SWIVEL CASTERS
- 7 POSITIONING HANDLE PIN
- 8 RELEASE KNOB
- 9 RAM
- 10 HANDLE SLEEVE
- 11 LIFT PEDAL
- 12 OIL FILLER PLUG
- 13 AIR COUPLER
- 14 AIR MOTOR



**ML750
MANUAL
HYDRAULIC UNIT**



**ML750P
AIR OPERATED
HYDRAULIC UNIT**

The OREGON® Mower Lift is specifically designed to lift, and support, up to rated capacity loads consisting of a single riding lawn mower whose frame is compatible with the lifting platform. Incompatibility is evident when the loaded mower wobbles, feels unstable, and/or does not sit securely on the lift platform. This product is **NOT** suitable for lifting, leveling and/or positioning automobiles, trucks, SUVs or conveyances other than those specifically listed and approved above. This product is **NOT** suitable for lifting, leveling and/or positioning houses, construction trailers and dwellings in general. This product does not contain independent lifting devices, but is designed to be permanently assembled. The Hydraulic Unit is not to be used independently of the lift.

1. Before using this product, read the operator's manual completely and familiarize yourself thoroughly with the product, its components and recognize the hazards associated with its use.
2. Verify that the product and application are compatible, if in doubt call Customer Service 800-223-5168.
3. To familiarize yourself with basic operation, place Hydraulic Unit in an upright, level position then turn Release Knob:
 - a. Clockwise until firm resistance is felt to further turning. This is the 'CLOSED' release valve position used to *raise* the ram plunger.
 - b. Counter-clockwise, but no more than 1/2 turn from the closed position. This is the 'OPEN' release valve position used to *lower* the ram plunger.
4. With Ram fully retracted and release valve closed, pump Lift Pedal. If Ram responds immediately, bottle jack is ready for use. If not, follow **Bleeding/Venting Trapped Air** procedure (next). Ensure the oil level is just below the oil filler hole.
5. For Model ML750P: Pour a teaspoon of good quality air tool lubricant into the air supply inlet of the lift control valve. Connect to air supply and operate for three seconds to evenly distribute lubricant.

NOTICE: THE ML750P IS EQUIPPED WITH A 1/4" NPT AIR COUPLER. IF INSTALLING A DIFFERENT AIR COUPLER, ENSURE THREAD TAPE OR COMPOUND IS USED WHEN SERVICING CONNECTIONS. TO ENSURE DEPENDABLE, TROUBLE-FREE OPERATION AN INLINE AIR DRYER AND OILER IS RECOMMENDED.

6. Pump mechanism should operate smoothly before putting jack into service. Replace worn or damaged parts and assemblies with OREGON® authorized replacement parts only.

BLEEDING/VENTING TRAPPED AIR

With the Release Knob in the OPEN position (step 3b, this page) and Ram fully lowered, locate and remove the oil filler screw. As screw is removed, pressurized air may be heard escaping from the reservoir.

CAUTION: RESERVOIR MAY BE UNDER PRESSURE AND HYDRAULIC OIL MAY BE EXPELLED.

This means trapped air has been successfully removed from the system. With Lift Pedal in the sleeve, pump six to eight full strokes. This will help release any pressurized air still trapped within the reservoir. Oil level should be even with the bottom of the oil filler hole. Reinstall the oil filler plug/screw.

Assembly

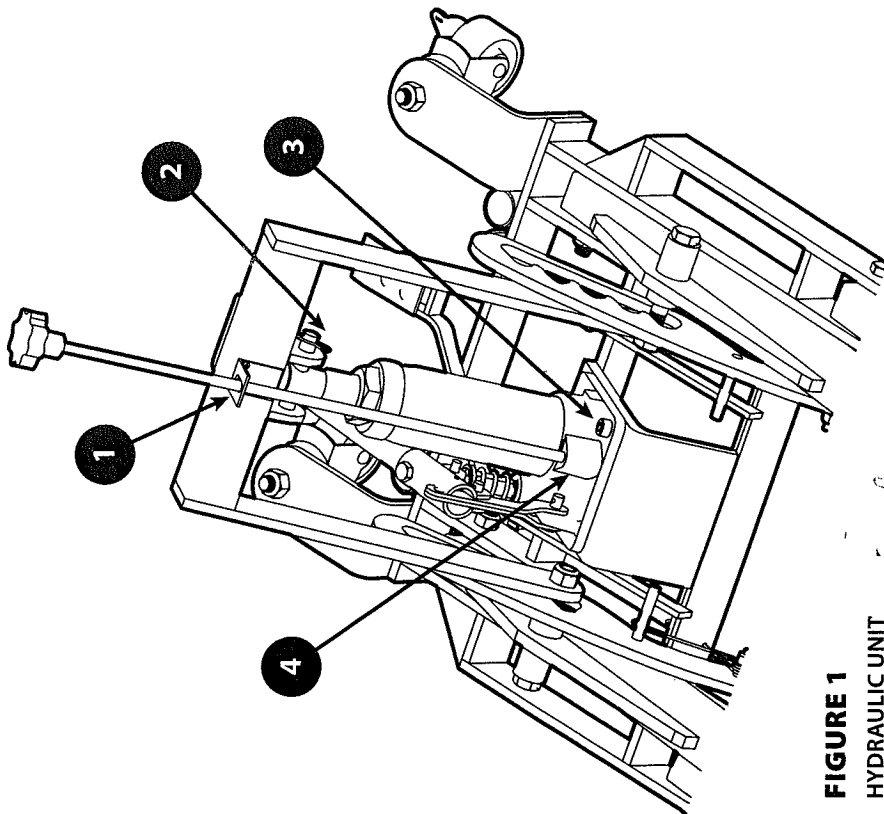


FIGURE 1
HYDRAULIC UNIT
ASSEMBLY

- 1 RELEASE KNOB GUIDE
- 2 RAM PIN WITH COTTER PIN
- 3 M8 ALLEN BOLT
- 4 RELEASE KNOB ATTACHMENT POINT
- 5 HOLES ALLOW FOR ALTERNATE ATTACHMENT POSITIONS FOR CRADLES

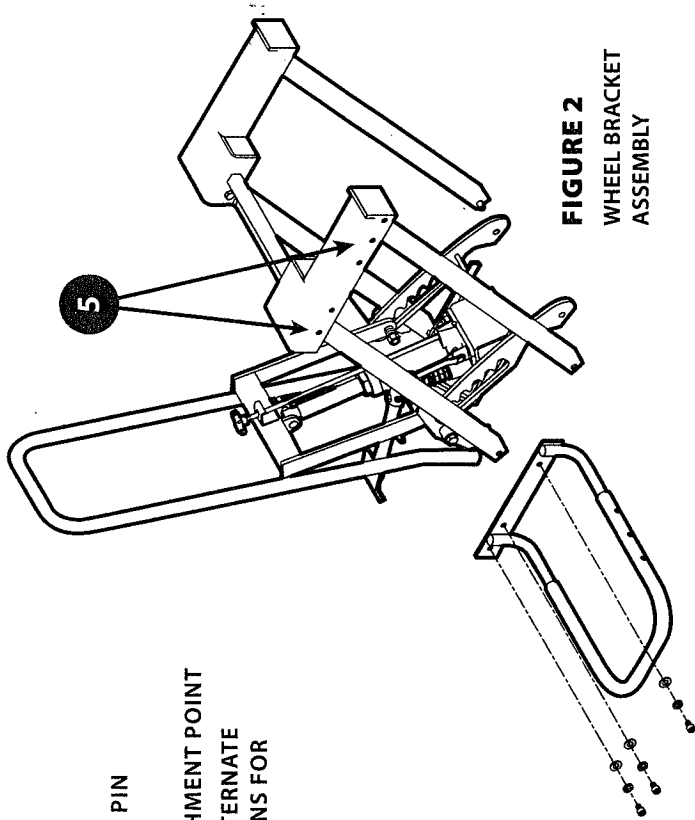


FIGURE 2
WHEEL BRACKET
ASSEMBLY

- 1. Install Hydraulic Unit on receiver and secure with provided M8 x 1.25 bolts. (Figure 1)
- 2. Insert Ram pin through Ram and Ram brackets on crosshead assembly, then install cotter pin.
- 3. Insert Release Knob through Release Knob guide and attach to Hydraulic Unit with screw and nut provided.

- 4. Insert Lift Pedal into Sleeve and attach with supplied bolt.
- 5. Install Positioning Handle into frame and secure using the provided pins (2).
- 6. Attach two Wheel Brackets to sides of Lift Platform. (Figure 2)

- 7. After assembly, ensure that lift rolls, lifts and locks, and that pump operates smoothly before putting into service. Familiarize yourself with how Height Locking Lever, Lift Pedal, and the Height Unlocking Lever operate prior to loading lift. Replace worn or damaged parts and assemblies with authorized replacement parts only (Replacement Parts, pgs. 10 – 11). Lubricate as instructed in Maintenance Section, pg. 8.

SYMPTOM	POSSIBLE CAUSES	CORRECTIVE ACTION
Hydraulic Unit will not lift	<ul style="list-style-type: none"> Release Valve not tightly closed Overload condition 	<ul style="list-style-type: none"> Ensure Release Valve tightly closed Reduce overload condition
Hydraulic Unit bleeds off after lift	<ul style="list-style-type: none"> Release Valve not tightly closed Overload condition 	<ul style="list-style-type: none"> Ensure Release Valve tightly closed Reduce overload condition Contact Customer Service
Lifting Platform will not lower after unloading	<ul style="list-style-type: none"> Reservoir overfilled Linkages binding 	<ul style="list-style-type: none"> Drain fluid to proper level Clean and lubricate moving parts
Poor lift performance	<ul style="list-style-type: none"> Fluid level low Air trapped in system 	<ul style="list-style-type: none"> Ensure proper fluid level Follow Bleeding/Venting Trapped Air procedure, pg. 5
Will not lift to full extension	<ul style="list-style-type: none"> Fluid level low 	<ul style="list-style-type: none"> Ensure proper fluid level

Operation

- Adjust Wheel Bracket width for mower track.
- Drive mower onto Wheel Brackets.
- WARNING:** Use only on hard, level surfaces capable of sustaining rated capacity loads.

Turn off mower and leave mower transmission in neutral, close Hydraulic Release Valve and carefully pump jack until mower reaches desired height. Final height must correspond with the locking teeth on the Height Locking Lever.
- Carefully turn the Release Knob counterclockwise until the Lift Platform engages the Height Locking Lever, then close the Release Knob by turning it fully clockwise. **Do not work around or under load unless Height Locking Lever is properly engaged.**
- Secure the mower by setting the parking brake, putting transmission in gear and chocking the wheels.
- To lower the Lift Platform, release the mower's parking brake, place transmission in neutral and remove chocks. Pump the Lift Pedal several times to disengage the Height Locking Lever, then depress the Height Unlocking Lever pedal. Carefully turn the Release Knob counterclockwise to lower the load slowly.

CAUTION:

Clear all tools and personnel before lowering load. Only attachments and/or adapters supplied by the manufacturer shall be used with this device.



Maintenance

Keep lift clean and well lubricated. Apply a couple of drops of light machine oil to all pivoting joints as needed. Thoroughly wipe up excess oil.

NOTICE:

Use premium quality hydraulic jack oil. Avoid mixing different types of fluid and NEVER use brake fluid, turbine oil, transmission fluid, motor oil or glycerin. Improper fluid can cause failure of the jack and the potential for sudden and immediate loss of load.

ADDING OIL

1. To check hydraulic oil level, unload lift, lower Lift Platform completely, then remove Hydraulic Unit from lift. Place Hydraulic Unit upright on a stable, level surface. Locate and remove Oil Filler Plug.
2. Ensure the oil level is even with the Oil Filler Plug hole. Reinstall the Oil Filler Plug, then install Hydraulic Unit onto receiver. Secure with provided bolts.

CHANGING OIL

For best performance and longest life, completely replace the hydraulic fluid supply at least once per year.

1. With Lift Platform fully lowered, remove Hydraulic Unit from lift. Place Hydraulic Unit upright on a stable, level surface. Remove the Oil Filler Plug.
2. Lay the unit on its side and drain hydraulic fluid into a suitable container.

NOTICE:

Dispose of used hydraulic fluid in accordance with local environmental regulations.

3. When refilling, ensure the fluid level is even with the Oil Filler Plug hole. Reinstall the Oil Filler Plug, then install Hydraulic Unit onto receiver.

LUBRICATION

A periodic coating of light lubricating oil to pivot points, axles and hinges will help to prevent rust and assure that wheels, casters and pump assemblies move freely.

CLEANING

Check the pump piston and Ram occasionally for signs of rust or corrosion. Clean as needed and wipe with an oily cloth.

STORAGE

When lift is not in use, Lift Platform should be stored in the fully retracted position.

THE OREGON® CUSTOMER-SATISFACTION POLICY LIMITED WARRANTY

OREGON® | Blount, Inc. warrants its products to be free from defects in materials and workmanship for as long as they are owned by the original retail purchaser.

If you like our products, please tell your friends. If you are not satisfied with our products, for any reason, please tell us. OREGON® wants to provide you with products that perform to your full satisfaction. We welcome you to contact us as shown in the last paragraph.

LIABILITY UNDER THIS WARRANTY IS LIMITED TO REPLACEMENT PARTS, AT THE OPTION OF YOUR OREGON® DISTRIBUTOR AND OREGON®. PLEASE CONTACT YOUR OREGON® DISTRIBUTOR OR US DIRECTLY. OREGON® PRODUCTS ARE NOT WARRANTED AGAINST NORMAL WEAR AND TEAR, USER ABUSE, IMPROPER MAINTENANCE OR IMPROPER REPAIR. REPLACEMENT OF DEFECTIVE PRODUCT IS THE EXCLUSIVE REMEDY UNDER THIS WARRANTY AND ANY APPLICABLE IMPLIED WARRANTY. THE REPLACEMENT WILL BE UNDERTAKEN AS SOON AS REASONABLY POSSIBLE AFTER RECEIPT OF THE DEFECTIVE PRODUCT. TO THE EXTENT PERMITTED BY LAW, ANY IMPLIED WARRANTY OF MERCHANTABILITY OR FITNESS FOR A PARTICULAR PURPOSE APPLICABLE TO THIS PRODUCT IS LIMITED TO THE DURATION AND SCOPE OF THIS EXPRESS WARRANTY. OREGON® SHALL NOT BE LIABLE FOR ANY CONSEQUENTIAL OR INCIDENTAL DAMAGES. SOME STATES DO NOT ALLOW LIMITATIONS ON HOW LONG AN IMPLIED WARRANTY LASTS OR DO NOT ALLOW THE EXCLUSION OF CONSEQUENTIAL DAMAGES, SO THE ABOVE LIMITATION OR EXCLUSION MAY NOT APPLY TO YOU. THIS WARRANTY GIVES THE ORIGINAL OWNER SPECIFIC LEGAL RIGHTS, AND YOU MAY ALSO HAVE OTHER RIGHTS WHICH VARY FROM STATE TO STATE.

To contact us in the U.S.A. regarding OREGON® Outdoor Equipment Parts (lawnmower blades and replacement parts for small engines, lawnmowers and many other types of outdoor power equipment), we welcome your calls between the hours of 7:30 a.m. and 4:30 p.m. (Pacific Time), Monday through Friday at 800-223-5168, or you can write to: Technical Services Department, Oregon Outdoor Equipment Parts, OREGON®, Blount, Inc., P.O. Box 22127, Portland, Oregon 97222, or you can contact us by email at techservices@oregonoep.com.

Replacement Parts

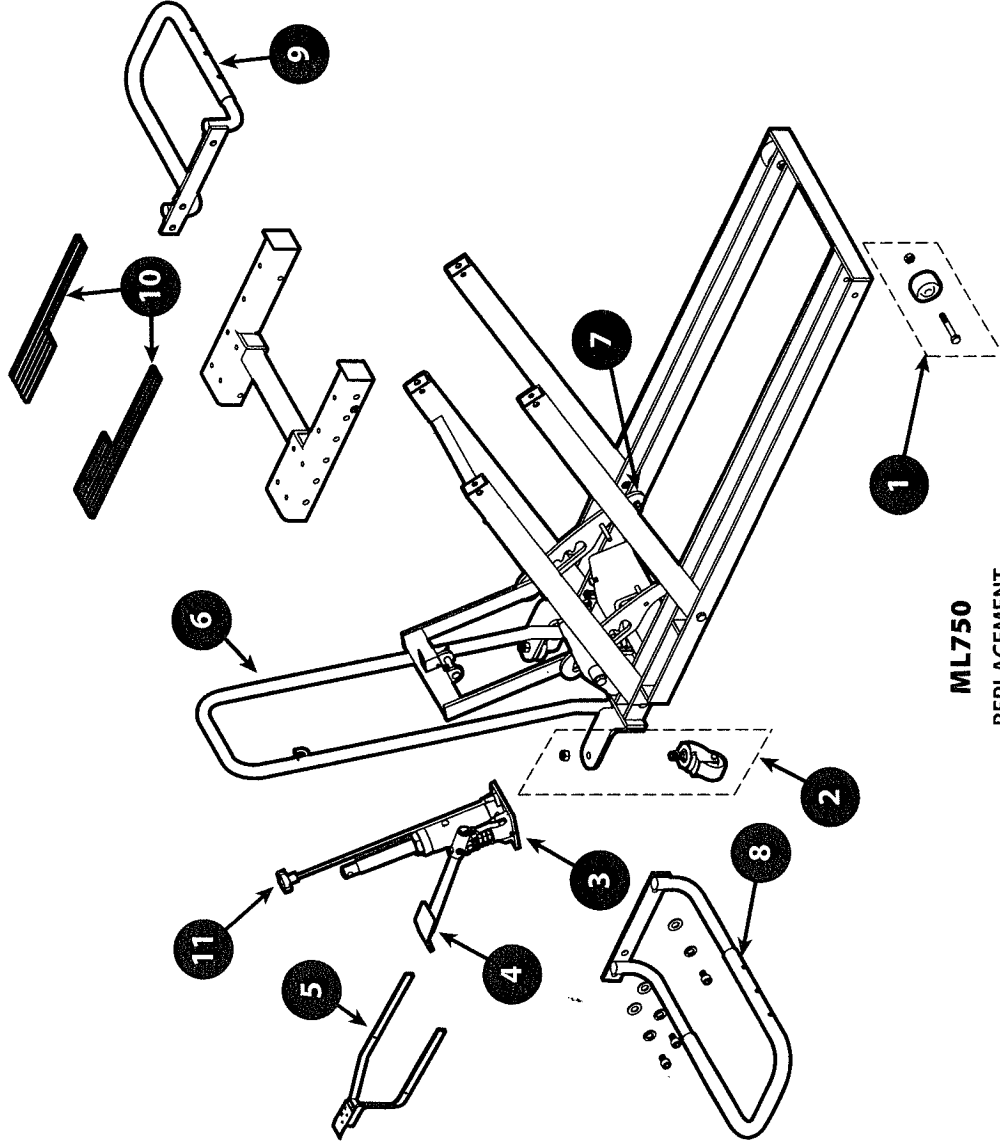
AVAILABLE PARTS

Please refer to the parts drawing when ordering parts. Not all components of the Lift are replacement items, but are illustrated as a convenient reference of location and position in the assembly sequence. When ordering parts, give Model number, serial number and description. Call or write for current pricing:

Oregon Outdoor Equipment Parts, OREGON®, Blount, Inc., P.O. Box 22127, Portland, Oregon 97222, 800-223-5168, or you can contact us by email at techservices@oregonoep.com

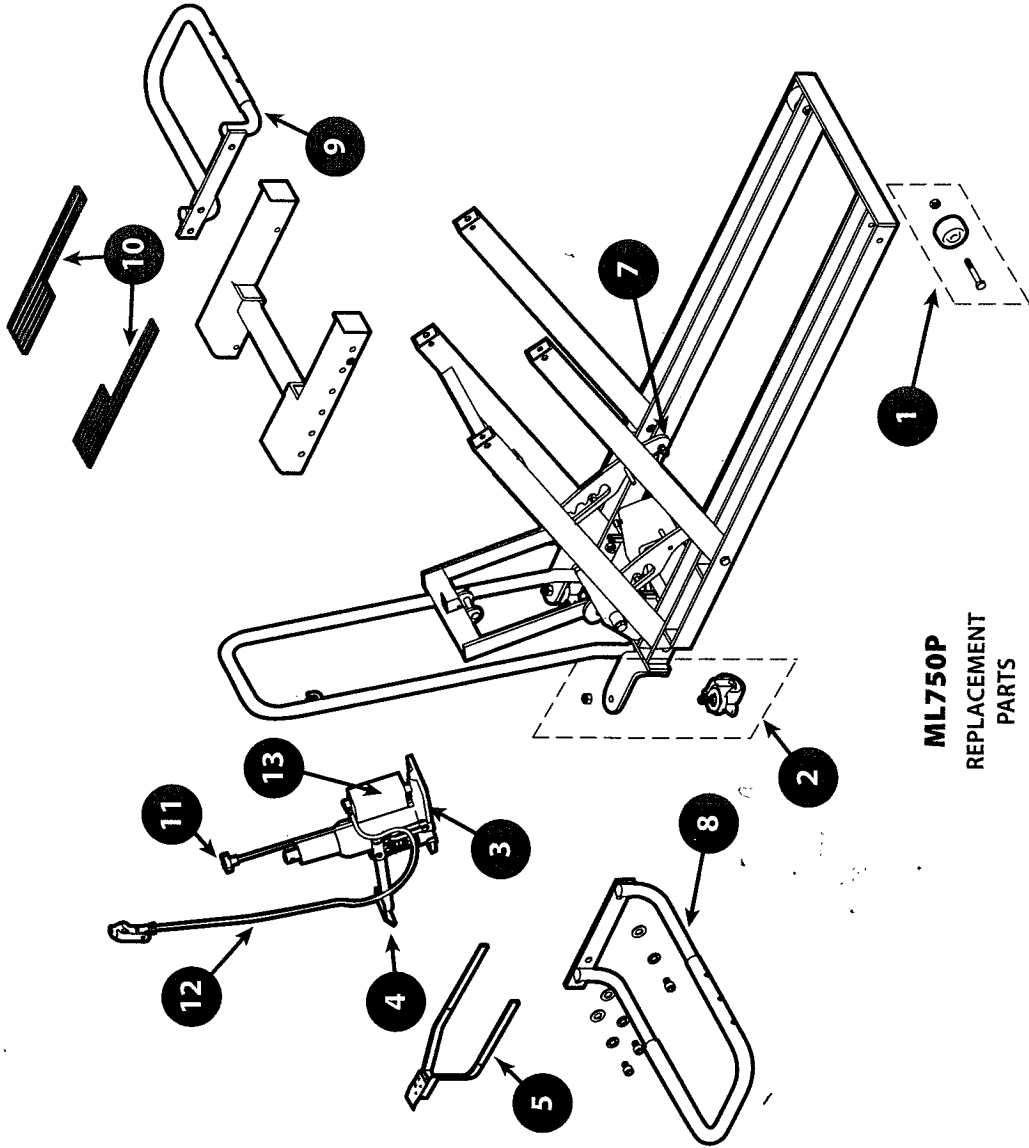
ITEM	PART NO.	DESCRIPTION	QTY.
1	559361	Front Wheel Assembly	2
2	559362	Locking Swivel Caster Assembly	2
3	559363	Hydraulic Unit Assembly	1
4	559364	Lift Pedal	1
5	559365	Height Unlocking Lever	1
6	559366	Positioning Handle	1
7	559367	Height Locking Lever Springs	2
8	559368	Wheel Bracket, Left	1
9	559369	Wheel Bracket, Right	1
10	559370	Platform Pads, Rubber	2
11	559372	Release Knob	1
12	559371	Hardware Kit (not shown)	-

The ML750 may be upgraded to an air operated ML750P through purchase and installation of Hydraulic Unit 559376 and Air Hose 559373.



ML750
REPLACEMENT
PARTS

Replacement Parts



ML750P
REPLACEMENT
PARTS

ITEM	PART NO.	DESCRIPTION	QTY.
1	559361	Front Wheel Assembly	2
2	559362	Locking Swivel Caster Assembly	2
3	559376	Hydraulic Unit Assembly (parts 4, 11 and 12 not included)	1
4	559364	Lift Pedal	1
5	559365	Height Unlocking Lever	1
6	559366	Positioning Handle	1
7	559367	Height Locking Lever Springs	2
8	559368	Wheel Bracket, Left	1
9	559369	Wheel Bracket, Right	1
10	559370	Platform Pads, Rubber	2
11	559372	Release Knob	1
12	559373	Air Hose	1
13	559374	Air Motor	1
14	559371	Hardware Kit (not shown)	-