

OREGON®



**Original Instruction Manual
Lawn Mower Model LM300**

**Manuel d'Instructions Original
Tondeuse à Gazon Modèle LM300**

**Manual de Instrucciones Original
Cortacésped Modelo LM300**

**Manual de Instruções Original
Cortacésped Modelo LM300**





English	4
-------------------	---

▲ WARNING: Read and understand all safety warnings and all instructions.

Failure to follow the warnings and instructions may result in electric shock, fire and/or serious injury.

Save all warnings and instructions for future reference.

This instruction manual contains translations of a manual drafted in English and are provided to assist those who do not speak English as their first language. Being a technical writing, some terms may not have a like or equivalent meaning as translated. Therefore, you should not rely on this translation, and should cross-reference the English version, where relying on the translated instructions could result in harm to your person or property.

Français.	18
-------------------	----

▲ AVERTISSEMENT : Prenez connaissance de tous les avertissements et consignes de sécurité.

L'observation de ces avertissements et consignes comporte des risques d'électrocution, d'incendie et/ou de lésions graves. **Rangez ces consignes et avertissements en lieu sûr afin de pouvoir les consulter ultérieurement.**

Ce manuel d'utilisation contient plusieurs traductions d'un document rédigé en anglais. Ces traductions visent à aider les utilisateurs dont l'anglais n'est pas la langue maternelle. Comme il s'agit d'un document technique, certains termes sont susceptibles de prendre une signification différente après traduction. Par conséquent, vous ne devez pas vous fier aveuglément à cette traduction. Reportez-vous à la version anglaise si vous percevez que le respect des consignes traduites pourrait occasionner des dommages matériels ou des lésions corporelles.

Español.	32
------------------	----

▲ ADVERTENCIA: Lea y entienda todas las advertencias de seguridad e instrucciones.

El incumplimiento de las advertencias e instrucciones puede dar lugar a descargas eléctricas, incendios o lesiones graves. **Guarde todas las advertencias e instrucciones para referencia futura.**

Este manual de instrucciones contiene traducciones de un manual redactado en inglés y se ofrece para ayudar a aquellos que no hablan inglés como primer idioma. Al tratarse de un texto técnico, algunos términos pueden no tener un significado similar o equivalente en la traducción. Por lo tanto, no debe confiar en esta traducción, y debería ir consultando la versión inglesa en aquellos puntos donde la confianza en las instrucciones traducidas pueda causar daños a su persona o a la propiedad.

Português	46
---------------------	----

▲ ADVERTÊNCIA: Leia e entenda todas as advertências e instruções de segurança. A falha em seguir todas as advertências e instruções pode resultar em choque elétrico, incêndio e/ou lesão pessoal séria.

Preserve todas as advertências e instruções para consulta futura.

Este manual de instruções contém traduções de um manual escrito em inglês, e tem a finalidade de ajudar quem não fala inglês como idioma nativo. Como se trata de escrita técnica, alguns termos podem não ter um significado semelhante ou equivalente quando traduzidos. Portanto, não confie unicamente nesta tradução. Consulte a versão em inglês quando confiar na tradução em português puder resultar em danos pessoais ou à propriedade.

Table of Contents

- Important Safety Instructions5
 - General Operation5
 - Slope Operation6
 - Children6
 - Service7
 - Battery Packs and Charging7
 - Storage8
 - Transport8
 - Disposal8
 - Symbols and Labels.9
- Product Identification10
- Assembly.11
- Battery Pack and Charger13
- Troubleshooting.14
- Specifications16
- Warranty and Service17
- Figures60

© 2016 Blount, Inc. Pricing and specifications subject to change without notice. All rights reserved. Oregon® is a registered trademark of Blount, Inc. in the United States and/or in other countries.

Important Safety Instructions

SAFE PRACTICES FOR PEDESTRIAN-CONTROLLED MOWERS

⚠ WARNING: When using cordless lawn mowers, basic safety precautions should always be followed to reduce the risk of fire, electric shock, and personal injury, including the following:

This cutting machine is capable of amputating hands and feet and throwing objects. Failure to observe the following safety instructions could result in serious injury or death.

General Operation

Read, understand, and follow all instructions on the machine and in the manual(s) before starting.

Prevent unintended starting. Ensure the switch is in the off position before inserting battery pack. Inserting the battery pack into machines that have the switch on invites accidents.

Keep hands and feet away from cutting area. Keep clear of the discharge opening at all times.

Only allow responsible adults who are familiar with the instructions to operate this machine. This tool is not intended for use by persons (including children) with reduced physical, sensory or mental capabilities, or lack of experience and knowledge.

Maintain Lawn Mower With Care – Keep cutting edges sharp and clean for best and safest performance.

Follow instructions for lubricating and changing accessories.

Keep handles dry, clean, and free from oil and grease.

Objects struck by the lawn mower blade can cause severe injuries to persons. Clear the area of objects such as rocks, wire, toys, etc., which could be thrown by the blade. Stay behind the handle when the motor is running.

If lawn mower strikes a foreign object, follow these steps:

- Stop lawn mower. Release the switch.
- Remove battery pack.
- Inspect for damage.
- Repair any damage before restarting and operating the lawn mower.

Be sure the area is clear of children and other bystanders before operating. Stop machine if anyone enters the area. The operator or user is responsible for accidents or hazards occurring to other people or their property.

Do not operate machine barefooted or while wearing sandals. Always wear substantial footwear.

Dress Properly – Do not wear loose clothing or jewelry. They can be caught in moving parts. Use of rubber gloves and footwear is recommended when working outdoors. Wear long pants.

Always wear eye protection when operating machine.

Always use face or dust mask if operation is dusty.

Never mow by pulling the mower towards you. Disengage the switch lever to turn off the machine and use extreme caution when stepping back or pulling the machine towards you.. Always look down and behind before and while moving backward.

Always stand clear of the discharge zone when operating the machine. Never direct discharged material toward anyone. Avoid discharging material against a wall or obstruction. Material may ricochet back toward the operator.

Turn off the machine by disengaging the switch lever when crossing gravel and other surfaces other than grass.

Never pick up or carry the machine while the motor is running.

Always inspect all guards, shields and safety devices prior to each use. Do not operate machine without the entire grass catcher, discharge guard, rear guard, or other safety protective devices in place and working.

Do not tilt the machine when starting or switching on the motor, except if the machine has to be tilted for starting in long grass. In this case, do not tilt it more than absolutely necessary and tilt only the part which is away from the operator.

Always ensure that both hands are in the operating position before returning the machine to the ground.

Switch on the motor according to the instructions with feet well away from rotating parts.

Never leave a running machine unattended.

Stop the motor, wait until the blade comes to a complete stop and remove the battery before cleaning the machine, removing grass catcher, or unclogging the discharge guard.

Operate machine only in daylight or good artificial light.

Do not operate machine while under the influence of alcohol or drugs.

Do not use battery-operated lawn mower in rain.

Avoid Dangerous Environment – Don't use lawn mowers in damp or wet locations.

Never operate mower in wet grass. Wet grass may cause the operator to slip. Always be sure of your footing; walk, never run.

If the machine should start to vibrate abnormally, stop the motor and check for the cause immediately. Vibration is generally a warning of trouble.

Use Right Appliance – Do not use lawn mower for any job except that for which it is intended.

Don't Force Lawn Mower – It will do the job better and safer at the rate for which it was designed.

Don't Overreach – Keep proper footing and balance at all times.

Stay Alert – Watch what you are doing. Use common sense. Do not operate lawn mower when you are tired.

See manufacturer's instructions for proper operation and installation of accessories. Only the accessories and attachments originally provided with the lawn mower are approved by the manufacturer.

Always store the lawn mower in a cool, dry place and out of direct sunlight. Long exposure to sunlight and UV rays can degrade plastics overtime, potentially causing guards to fail.

Slope Operation

Slopes are a major factor related to slip and fall accidents, which can result in severe injury. Operation on all slopes requires extra caution. If you feel uneasy on a slope, do not mow it.

Mow across the face of slopes; never up and down. Exercise extreme caution when changing direction on slopes.

Watch for holes, ruts, bumps, rocks, or other hidden objects. Uneven terrain could cause a slip and fall accident. Tall grass can hide obstacles.

Avoid mowing on wet grass or excessively steep slopes (> 15°). Poor footing could cause a slip and fall accident.

Exercise extreme caution when changing direction, especially on slopes.

Do not mow near drop offs, ditches, or embankments. You could lose your footing or balance.

Children

Tragic accidents can occur if the operator is not alert to the presence of children. Children are often attracted to the machine and the mowing activity. Never assume that children will remain where you last saw them.

Remove the safety key whenever you leave or store the machine. Store in a secure and locked-up place – out of reach of children.

Keep children out of the mowing area and under the watchful care of a responsible adult other than the operator.

Be alert and turn mower off if a child enters the area.

Never allow children to operate the machine.

Use extra care when approaching blind corners, shrubs, trees, or other objects that may block your view of a child.

Service

Always remove the battery pack before adjusting, cleaning, repairing, or storing to prevent unintended starting. Such preventative safety measures reduce the risk of starting the lawn mower accidentally.

Store Idle Lawn Mower Indoors – When not in use, lawn mower should be stored in an indoor dry and locked-up place – out of reach of children

Keep guards in place and in working order.

Keep blades sharp.

Use identical replacement blades only. Use of any other accessory or attachment might increase the risk of injury.

Keep all nuts and bolts tight to be sure the equipment is in safe working condition.

Never remove or tamper with safety devices. Check their proper operation regularly. Never do anything to interfere with the intended function of a safety device or to reduce the protection provided by a safety device.

Keep machine free of grass, leaves, or other debris build up.

If you strike a foreign object, stop and inspect the machine. Repair, if necessary, before starting.

Never make any adjustments or repairs with the motor running.

Check grass catcher components and the discharge guard frequently and replace with manufacturer's recommended parts, when necessary.

Ensure that all replacement or service parts are approved by the manufacturer.

Mower blades are sharp. Wrap the blade or wear gloves, and use extra caution when servicing them.

Be careful during adjustment of the machine to prevent entrapment of the fingers between moving blade and fixed parts of the machine

When servicing the blades be aware that, even though the power source is switched off, the blade can still be moved.

Maintain or replace safety and instruction labels, as necessary.

Battery Packs and Charging

Do not charge battery pack in rain, or in wet locations. Keep the battery charger away from rain or moisture. Penetration of water in the battery charger increases the risk of an electric shock.

Do not use battery-operated lawn mower in rain.

Remove or disconnect battery before servicing, cleaning, or removing material from the lawn mower.

Use lawn mower only with Oregon Series B specifically designated battery packs B425E, B600E, or B650E. Use of any other battery packs may create a risk of injury and fire.

Recharge only with the charger specified by the manufacturer, Oregon C600, C650, or C750. A charger that is suitable for one type of battery pack may create a risk of fire when used with another battery pack.

Do not charge other batteries on the charger. The battery charger is suitable only for charging manufacturer specific and approved lithium ion batteries within the listed voltage range. Otherwise there is danger of fire and explosion.

Before each use, check the battery charger, cable and plug. If damage is detected, do not use the battery charger. Never open the battery charger yourself. Have repairs performed only by a qualified technician and only using original spare parts. Damaged battery chargers, cables and plugs increase the risk of an electric shock.

Keep the battery charger clean. Contamination can lead to danger of an electric shock.

Occasionally clean the venting slots of the battery using a soft, clean and dry brush.

Do not dispose of the battery in a fire. The cell may explode. Check with local codes for possible special disposal instructions.

Do not open or mutilate the battery. Released electrolyte is corrosive and may cause damage to the eyes or skin. It may be toxic if swallowed.

Exercise care in handling batteries in order not to short the battery with conducting materials such as rings, bracelets, and keys. The battery or conductor may overheat and cause burns

When battery pack is not in use, keep it away from other metal objects like paper clips, coins, keys, nails, screws, or other small metal objects that can make a connection from one terminal to another. Shorting the battery terminals together may cause burns or a fire.

Under abusive conditions, liquid may be ejected from the battery; avoid contact. If contact accidentally occurs, flush with water. If liquid contacts eyes, additionally seek medical help. Liquid ejected from the battery may cause irritations or burns.

In case of damage and improper use of the battery, vapors may be emitted. Ventilate the area and seek medical help in case of complaints. The vapors can irritate the respiratory system.

Do not use a battery pack or lawn mower that is damaged or modified. Damaged or modified batteries may exhibit unpredictable behavior resulting in fire, explosion or risk of injury.

Do not expose a battery pack or lawn mower to fire or excessive temperature such as continuous intense sunlight or stored in a hot vehicle. Exposure to fire or temperature above 130°C may cause explosion. Store the battery only within a temperature range between 0 °C and 40 °C.

Follow all charging instructions and do not charge the battery pack or lawn mower outside of the temperature range specified in the instructions. Charging improperly or at temperatures outside the specified range may damage the battery and increase the risk of fire.

Do not operate the battery charger on easily inflammable surfaces (e. g., paper, textiles, etc.) or surroundings. The heating of the battery charger during the charging process can pose a fire hazard.

Have servicing performed by a qualified repair person using only identical replacement parts. This will ensure that the safety of the product is maintained.

Do not attempt to repair the lawn mower or battery pack except as indicated in the instructions for use and care.

Storage

Always store the lawn mower in a cool, dry place and out of direct sunlight. Long exposure to sunlight and UV rays can degrade plastics overtime, potentially causing guards to fail.

Transport

The contained lithium-ion batteries are subject to the Dangerous Goods Legislation requirements. The user can transport the batteries by road without further requirements.

When being transported by third parties (e.g.: air transport or forwarding agency), special requirements on packaging and labeling must be observed. For preparation of the item being shipped, consulting an expert for hazardous material is required.

Ship batteries only when the housing is undamaged.

Tape or mask off open contacts and pack up the battery in such a manner that it cannot move around in the packaging.

Please also observe possibly more detailed national regulations.














Disposal

Do not dispose of garden products, battery chargers and batteries/rechargeable batteries into household waste.

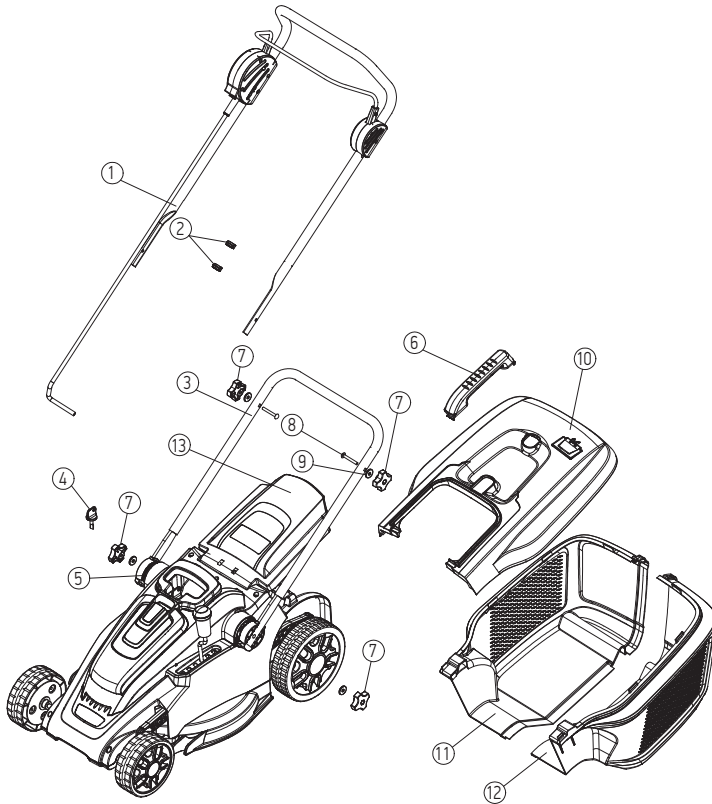
SAVE THESE INSTRUCTIONS

Symbols and Labels

These symbols and labels appear on the lawn mower, battery, and charger.

SYMBOL	NAME	EXPLANATION
	General Hazard Safety Alert	The text that follows explains a danger, warning, or caution.
	Read Instruction Manual	The original instruction manual contains important safety and operating information. Read and follow the instructions carefully.
	Maintain Safety Devices	Do not open or remove safety shields while the tool is running.
	Keep Bystanders Away	Do not mow when children or others are too close.
	Look Behind While Backing	Look down and behind first to avoid tripping when pulling back.
	Steep Slope Hazard	Use extra caution on slopes. Do not mow slopes greater than 15 degrees.
	Remove Safety Key	Switch off and remove safety key before adjusting, cleaning and before adjusting. Cleaning leaving the product unattended for any period.
	Wear Eye Protection	Wear eye protection when operating the machine.
	Wear Hearing Protection	Wear hearing protection when operating the machine.
	Wear Hand Protection	Wear gloves when operating the machine or touching the stopped blades.
	Wear Long Pants	Wear long pants when operating the lawn mower.
	Wear Foot Protection	Wear appropriate closed-toe work boot when operating the lawn mower.
	Do Not Incinerate	Do not dispose in flames.
	Do Not Dispose	Do not throw in the household waste. Take to an authorized recycler.
	Do Not Expose To Rain	Do not operate the charger in wet conditions.
	Operating Temperature	Only use the battery pack at a temperature between 32°F to 104°F (0°C and 40°C).
	Remove Battery	Remove the battery before performing any maintenance.

Product Identification



- | | |
|-------------------------|-------------------|
| ① Upper handle assembly | ⑧ Bolt |
| ② Cable clips | ⑨ Washer |
| ③ Lower handle | ⑩ Grassbox cover |
| ④ Safety Key | ⑪ Left grassbox |
| ⑤ Rotate block | ⑫ Right grassbox |
| ⑥ Grassbox handle | ⑬ Discharge cover |
| ⑦ Knob | |

Assembly

Intended Use

The garden product is intended for domestic lawn mowing.

Assembly (Fig. A - B - C - D)

⚠ WARNING: Make sure the battery is removed from the machine.

Fix the rotation-blocks (5) into the lower handle (3) (Fig. A), then you can fix the lower handle (3) and the machine together with the knobs (7). Fix the upper handle to the frame of the lower handle (Fig. B) and then secure using the knobs (7), bolts (8), and washer (9). Hand tighten the Knobs (7).

Assemble the grass box by connecting the two sides of the box (11, 12) ensuring that all of the tabs located along the connecting edge of (11) are properly seated into the edge of (12). You will hear and audible click sound as each tab is properly seated. Ensure the entire connecting seam between (11) and (12) is properly connected (Fig. C).

Place the top of the grass box (10) on to the formed piece of (11) and (12). Ensure that all tabs on the edge of (11) and (12) properly and securely seat into the frame of (10). You will hear and audible click sound as each tab is properly seated (Fig. C).

Place the grass box handle (6) into the proper location on the top of the grass box (10). Firmly push the tabs on the handle into the grass box, ensuring the handle is properly seated. You will hear and audible click sound as each tab is properly seated (Fig. C).

To attach the grass box to the machine, lift and hold the discharge cover with one hand, and with the opposite hand, slide the grass box onto the rear of the machine, ensuring that the grass box properly seats on the frame of the machine. Release the spring loaded discharge cover, allowing the cover to collapse over the opening between the grass box and the machine (Fig. D).

Properly secure the cable to the handlebar frame using the provided cable clips (2) (Fig. D).

Inserting and Removing the Battery Pack (Fig. E - F - G)

⚠ WARNING: Ensure the safety key is turned off before inserting or removing the battery pack.

To insert the battery pack, push the button (16) on the machine battery cover (17) and lift the cover (17) (Fig. E, F). Insert the battery pack into the battery cover, ensuring the small rails on the cover align with the rail slots on the battery pack. Firmly push the battery pack into place, until you hear an audible click sound. Close the battery cover. You will hear an audible click when the cover is properly closed (Fig. G).

To remove the battery pack, open the battery cover. Lift the small button below the front of the battery pack to release the battery pack. The spring loaded button will release the battery pack, allowing you to pull the battery pack out of the machine. Close the cover to prevent accidental damage to the machine.

Adjusting the Cutting Height (Fig. H)

Your lawn mower is equipped with a central height adjustment system, offering 6 height settings. The settings are approximately 1 in (25 mm), 1 3/8 in (35 mm), 1 3/4 in (45 mm), 2 1/8 in (55 mm), 2 1/2 in (65 mm), and 3 in (75 mm). The actual cutting height may vary slightly.

To adjust the cutting height of the machine, position the lever (Fig. H) to the desired height position. The numbers indicated on the body of the machine (25, 35, 45, 55, 65, 75) indicates the approximate cutting height of the machine in that position. The lower the number, the shorter the grass will be cut.

Always perform a small test by cutting the grass at higher settings and adjusting down to determine your desired cutting height.

Using the Safety Key (Fig. I)

The safety key is an important safety device on the machine. The motor and blades of the machine can only be started when the safety key is inserted and rotated to the ON position. Only insert the safety key when you intend to start the machine and turn the blades.

To insert the safety key, push the safety key into the socket, by aligning the small tab on the key to the slot in the socket (Fig. I).

To turn the machine to the "ON" position rotate the key clockwise so the small indicator arrow on the key points to the "I".

To turn the machine to the "OFF" position, and to remove the key, rotate the key counterclockwise so the small indicator arrow on the key points to the "O". You may remove the key.

The motor can be started only when the safety key is fitted.

Replacing or Sharpening the Cutting Blade (Fig. L)

⚠ WARNING: Always remove the battery and the safety key when performing any maintenance.

The cutting blade is designed to be a replacement item and may need sharpening from time to time. Sharpen when dull. Replace when damaged. Contact your dealer or the manufacturer for proper instructions.

Operation (Fig. J)

First, make sure you are in the proper cutting area. Ensure the cutting area is free of bystanders and foreign objects. Inspect the machine for any possible damage or unsafe conditions.

Ensure the cutting height of the machine is at your desired height.

Ensure the safety is in the "ON" position (Fig. I).

Press and hold the safety button (20), squeeze the switch lever (19) towards the handlebar (Fig. J).

When the unit starts, release the safety button (20). Maintain squeezing the switch lever with two hands during use.

Releasing the switch lever will disengage power to the unit. The blades may continue to rotate for a period of time after power is disengaged.

Stopping the Machine

Release the switch lever (19) (Fig. J). Releasing the switch lever will disengage power to the unit. The blades may continue to rotate for a period of time after power is disengaged.

Battery Pack and Charger

⚠ WARNING: To reduce the risk of shock, do not charge the battery pack in the rain.

Battery Pack LED Charge-Level Indicator

The lithium ion battery pack is equipped with an LED charge-level indicator. To test the charge level of the battery pack, press the indicator button on the battery pack's face.

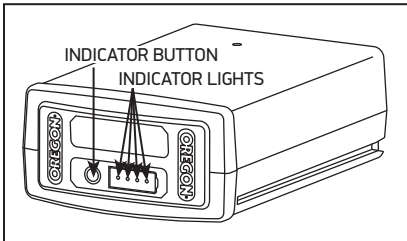
No lights: recharge.

One steady green light:
less than 25% charged.
Charge battery pack before use.

Two steady green lights:
26–50% charged.

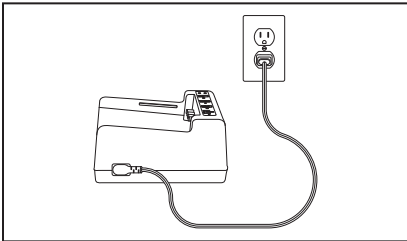
Three steady green lights:
51–75% charged.

Four steady green lights:
76–100% charged.



Connecting the Charger

If the charger includes a separate power cord, connect the charger cord to the charger and to the proper electrical outlet.



Only use the cord set that was supplied with the charger. At first use, verify that the plug type matches the receptacle.

Charger LED Charge-State Indicator

The battery charger is equipped with an LED charge-state indicator that indicates the state of charging as well as conditions that may delay or prevent charging.

Note: Until a battery pack is inserted, no lights will be visible.

A line drawing of the charger's front panel, showing a row of five indicator lights. Lines connect these lights to descriptive text:

- Blinking orange light:** a fault condition exists. There are several potential causes. See "Troubleshooting" in this manual.
- Steady orange light:** the battery pack temperature is beyond the acceptable range (32°F/0°C to 104°F/40°C). Allow the battery pack to reach the acceptable temperature range before charging. The pack may be left on the charger as the temperature adjusts. Charging will begin when the proper temperature is reached.
- Blinking green light:** battery pack is charging.
- Steady green light:** battery pack is ready for use.

Charging the Battery

⚠ WARNING: Failure to follow proper charging procedures may cause excessive voltage, excessive current flow, loss of control during charging, leakage of hazardous chemicals, heat generation, bursting or fire. Follow these charging instructions.

With the charger cord connected to the charger and plugged into a electrical outlet, align the grooves on the battery with the rails on the charger and slide the battery pack onto the charger until fully seated.

For more information, please refer to your battery and charger manuals.

Troubleshooting

Use this table to see possible solutions for possible problems with the lawn mower. If these suggestions do not solve the problem, see "Warranty and Service".

SYMPTOM	POSSIBLE CAUSE	RECOMMENDED ACTIONS
Tool fails to operate	Possible clogging	Remove battery, remove safety key. Clear obstructions. Check underneath the garden product and clear out as necessary (always wear gardening gloves).
	Battery not fully charged	Charge battery.
	Battery not inserted (properly)	Properly insert battery.
	Grass too long	Increase height of cut and tilt garden product to reduce starting load.
	Motor protector has activated	Allow motor to cool and increase height of cut.
	Battery too hot/cold	Allow to cool/warm.
	Safety key not inserted correctly/fully	Insert safety key correctly.
	There is a short delay in the motor starting after engaging the safety button switch	Hold safety button for 1 – 3 seconds before engaging switch lever to start motor.
Motor starts and stops immediately	Battery not fully charged	Charge battery.
	Isolator key not inserted correctly/fully	Insert safety key correctly.
	Battery not inserted (properly)	Properly insert battery.
	Battery too hot/cold	Allow to cool/warm.
Tool functions intermittently	Internal wiring of garden product damaged	Contact service agent.
	Motor protector has activated	Allow motor to cool and increase height of cut.
Garden product leaves ragged finish and/or Motor labours	Height of cut too low	Increase height of cut.
	Cutting blade dull	Replace the blade or sharpen the blade.
	Possible clogging	Remove battery, remove safety key. Check underneath the garden product and clear out as necessary (always wear gardening gloves).
	Blade fitted upside down	Remove battery, remove safety key. Refit blade correctly.

SYMPTOM	POSSIBLE CAUSE	RECOMMENDED ACTIONS
Area of cut (battery duration) not large enough	Height of cut too low	Increase height of cut and walk slower.
	Grass too high	Increase height of cut and walk slower.
	Grass wet or damp	Wait until grass is dry and walk slower.
	Grass is dense	Increase height of cut, walk slower and cut more frequently.
Cutting blade not rotating while garden product switched on	Cutting blade obstructed	Remove battery, remove safety key. Clear obstruction (always wear gardening gloves).
	Blade nut/bolt loose	Remove battery, remove safety key. Tighten blade nut/bolt (15 Nm).
Excessive vibrations/noise	Blade nut/bolt loose	Remove battery, remove safety key. Tighten blade nut/bolt (15 Nm).
No charging procedure possible	Battery contacts contaminated	Clean the battery contacts by inserting and removing the battery several times or replace the battery.
	The battery is defective, due to a disconnection in the battery	Replace the battery.
The charge control LEDs and respectively, do not light up after inserting the mains plug into the socket	Mains plug of battery charger not plugged in (properly)	Insert mains plug (fully) into the socket outlet.
	Socket outlet, mains cable or battery charger defective	Check the mains voltage and, if necessary, have the battery charger checked by an authorized customer service station for power tools.

Specifications

BATTERY RECHARGEABLE LAWN MOWER	LM300
Blade width	1.3 ft (40 cm)
Height of cut in (mm)	1 in (25 mm) – 3 in (75 mm)
Grassbox, capacity	50 L
Weight with battery	36 lbs (16.3 kg)
Serial number	Refer to label on the machine (under discharge cover)
BATTERY	OREGON BRAND 40V B SERIES BATTERY PACK
Battery pack rated voltage	As indicated on the battery pack label
Battery pack capacity	As indicated on the battery label
Charging period (battery discharged)	Depends on battery capacity and charger output.
Lawn area per battery charge	Depends on battery pack capacity; approximately 4000 ft ² with a 4.0 Ah battery pack
Sound power level: acoustical energy emitted by the source	LwA.d: 96 dB(A)
Sound pressure level: what the operator hears	Lpa.d: 84 dB(A), Kpa: 3 dB(A) 3,5 m/s ² , K=1,5 m/s ²
Hand/arm vibration avhw	< 2,5 m/s ² k= 1,5m/s ²

Warranty and Service

Warranty

Blount, Inc. warrants all registered Oregon® Cordless Tools and Chargers for a period of three (3) years and all registered Oregon® Cordless Battery packs for two (2) years from original date of purchase. Registered Oregon® Cordless Tools, Battery Packs and Chargers are warranted for two (2) years if used for commercial purchases. This limited warranty applies to Oregon® Cordless Tools System manufactured products. During the warranty period, Blount will replace or, at its option, repair for the original purchaser only, free of charge, any product or part which is found upon examination by Blount to be defective in material and/or workmanship. The purchaser shall be responsible for all transportation charges and any cost of removing any part submitted for replacement under this warranty.

To register your product, visit the “support” section of **OregonCordless.com**.

Service and Support Information

Visit us on the web at **OregonCordless.com** for service center information, or contact our customer service department at 888.313.8665 for assistance, additional technical advice, repair, or replacement parts.

For safety, use only genuine factory replacement parts on the power tool. Our service center is staffed with trained personnel to efficiently provide support and assistance with adjustment, repair, or replacement of all Oregon® Cordless Tool System products.

Table des matières

Consignes de sécurité importantes	19
Fonctionnement général	19
Fonctionnement en pente	20
Enfants	20
Maintenance	21
Batterie et charge	21
Stockage	22
Transport	22
Mise au rebut	22
Symboles et étiquettes	23
Identification du produit	24
Montage	25
Batterie et chargeur	27
Dépistage des pannes	28
Caractéristiques techniques	30
Garantie et service	31
Figures	60

Consignes de sécurité importantes

RÈGLES DE SÉCURITÉ POUR LES TONDEUSES À GAZON POUSSÉES

⚠ AVERTISSEMENT : si vous utilisez des tondeuses sans fil, respectez toujours les consignes de sécurité basiques suivantes afin de réduire le risque d'incendie, d'électrocution et de blessure.

Cette machine tranchante est capable d'amputer les mains et les pieds et de projeter des objets. Le non-respect des consignes de sécurité suivantes peut entraîner des blessures graves ou la mort.

Fonctionnement général

Lisez, assimilez et respectez toutes les consignes indiquées sur la machine et dans le(s) manuel(s) avant de l'utiliser.

Avant d'insérer la batterie, vérifiez que le commutateur est en position d'arrêt afin d'empêcher tout démarrage accidentel. Insérer une batterie dans une machine dont le commutateur est en position de marche peut provoquer des accidents.

Tenez toujours vos mains et pieds à bonne distance de la zone de coupe. Restez toujours à l'écart de l'orifice d'éjection.

Seuls des adultes responsables connaissant bien les consignes peuvent utiliser cette machine. Cet outil n'est pas destiné à être utilisé par des personnes (y compris des enfants) ayant des capacités physiques, sensorielles ou mentales réduites ou manquant d'expérience et de connaissances.

Entretenez soigneusement la tondeuse. Maintenez la lame bien affûtée et propre pour une performance de meilleure qualité et plus sûre.

Respectez les consignes de lubrification et de remplacement des accessoires.

Gardez les poignées sèches et propres, sans huile ni graisse.

Les objets heurtés par la lame de la tondeuse peuvent provoquer des blessures graves. Par conséquent, retirez de la zone tous les objets tels que les pierres, câbles, jouets, etc. pouvant être heurtés par la lame. Restez derrière la poignée lorsque le moteur fonctionne.

Si la tondeuse heurte un corps étranger, procédez comme suit :

- Arrêtez la tondeuse. Relâchez le commutateur.

- Retirez la batterie.
- Vérifiez si des dommages ont été causés.
- Si c'est le cas, réparez-les avant de redémarrer la tondeuse.

Assurez-vous qu'il n'y a aucun enfant ni aucune personne présents dans la zone avant de faire fonctionner la machine. Arrêtez-la si quelqu'un pénètre dans la zone. L'opérateur ou l'utilisateur est responsable des accidents ou mises en danger de tiers ou de ses propriétés.

N'utilisez pas la machine si vous êtes pieds nus ou portez des chaussures ouvertes. Portez toujours des chaussures solides.

Portez une tenue appropriée. Ne portez pas de bijoux ou de vêtements amples, car ils pourraient être happés par des composants mobiles. L'utilisation de gants en caoutchouc et de chaussures est recommandée lorsque vous travaillez en extérieur. Portez un pantalon long.

Portez toujours des lunettes de protection lorsque vous utilisez la machine.

Portez toujours un masque de protection ou anti-poussière si vous travaillez dans un environnement poussiéreux.

Ne tondez jamais en tirant la machine vers vous. Relâchez le levier de contact pour arrêter la machine et soyez très prudent lorsque vous reculez ou tirez la machine vers vous. Regardez toujours par terre et derrière vous avant et pendant que vous reculez.

Éloignez-vous toujours de la zone d'éjection lorsque vous utilisez la machine. N'orientez jamais le matériau éjecté vers une personne. Évitez également de l'éjecter contre un mur ou un obstacle, car le matériau pourrait ricocher et heurter l'opérateur.

Arrêtez la machine en relâchant le levier de contact lorsque vous traversez des surfaces gravillonnées ou non gazonnées.

Ne soulevez et ne portez jamais la machine lorsque son moteur tourne.

Inspectez toujours tous les carénages, protections et dispositifs de sécurité avant chaque utilisation. Ne faites pas fonctionner la machine si le collecteur d'herbe, la protection de l'éjection, la protection arrière ou d'autres dispositifs de sécurité ne sont pas intégralement installés et opérationnels.

Ne soulevez pas la machine lorsque vous démarrez le moteur, sauf si la machine doit être soulevée pour pouvoir démarrer dans l'herbe haute. Dans ce cas, ne la soulevez pas plus que ce qui est absolument nécessaire et soulevez uniquement la partie éloignée de l'opérateur.

Assurez-vous toujours que les deux mains sont en position opérationnelle avant de reposer la machine au sol.

Démarrez le moteur selon les instructions, en éloignant vos pieds des pièces rotatives.

Ne laissez jamais une machine en marche sans surveillance.

Arrêtez le moteur, attendez que la lame se soit complètement arrêtée et retirez la batterie avant de nettoyer la machine, de retirer le collecteur d'herbe ou de désobstruer la protection de l'éjection.

Utilisez la machine uniquement de jour ou dans de bonnes conditions d'éclairage artificiel.

N'utilisez pas la machine si vous êtes sous l'influence de l'alcool ou de la drogue.

N'utilisez pas une tondeuse fonctionnant sur batterie sous la pluie.

Évitez les environnements dangereux. N'utilisez pas la tondeuse dans un endroit humide ou mouillé.

N'utilisez jamais la tondeuse dans de l'herbe mouillée, car l'opérateur pourrait glisser. Gardez toujours un bon équilibre ; marchez et ne courez jamais.

Si la machine commence à vibrer anormalement, arrêtez le moteur et cherchez immédiatement la cause du problème. Les vibrations sont généralement le signe d'un problème.

Choisissez le matériel adapté. N'utilisez pas la tondeuse pour une tâche pour laquelle elle n'est pas conçue.

Ne forcez pas sur la tondeuse. Elle accomplira parfaitement sa tâche en toute sécurité à la vitesse pour laquelle elle a été conçue.

Ne prenez pas de risques. Veillez en toutes circonstances à prendre appui sur vos deux pieds et à maintenir votre corps en équilibre.

Restez vigilant. Concentrez-vous sur votre travail et faites preuve de bon sens. N'utilisez pas la tondeuse si vous êtes fatigué.

Consultez les consignes du fabricant relatives au bon fonctionnement et à l'installation des accessoires. Seuls les accessoires d'origine (fournis avec la tondeuse) sont approuvés par le fabricant.

Stockez toujours la tondeuse dans un endroit frais et sec, à l'abri de la lumière directe du soleil. Une exposition prolongée aux rayons du soleil et aux UV peut abîmer le plastique et réduire la performance des protections.

Fonctionnement en pente

Les pentes constituent la principale cause des glissades et chutes qui peuvent entraîner des blessures graves.

L'utilisation de la tondeuse dans une pente, quelle qu'elle soit, nécessite la plus grande prudence. Si vous n'êtes pas à l'aise sur une pente, ne la tondez pas.

Passez la tondeuse perpendiculairement à la pente, jamais de haut en bas. Soyez extrêmement prudent lorsque vous changez de direction sur une pente.

Faites attention aux trous, ornières, bosses, pierres ou autres objets cachés. Un terrain irrégulier peut provoquer une chute ou une glissade. Les herbes hautes peuvent masquer des obstacles.

Évitez de tondre de l'herbe humide ou des pentes excessivement raides (> 15°). Un mauvais équilibre pourrait causer une glissade ou une chute.

Soyez extrêmement prudent lorsque vous changez de direction, en particulier sur une pente.

Ne tondez pas à proximité de ravins, de fossés ou de berges. Vous pourriez perdre l'équilibre.

Enfants

Des accidents tragiques peuvent se produire si l'opérateur ne porte pas attention à la présence d'enfants. Ces derniers sont souvent attirés par la machine et la tonte. Ne supposez jamais qu'un enfant va rester à l'endroit où vous l'avez vu pour la dernière fois.

Retirez la clé de sécurité chaque fois que vous vous éloignez de la machine ou que vous la remisez. Stockez-la dans un lieu sûr et fermé, hors de portée des enfants.

Veillez à ce que les enfants restent à l'écart de la zone de tonte et soient surveillés par un adulte responsable autre que l'opérateur.

Soyez vigilant et éteignez la tondeuse si un enfant pénètre dans la zone.

Ne laissez jamais un enfant utiliser la machine.

Redoublez de vigilance à proximité d'un passage sans visibilité, d'arbustes, d'arbres ou d'autres éléments pouvant masquer la présence d'un enfant.

Maintenance

Retirez toujours la batterie avant de régler, nettoyer, réparer ou stocker la machine afin d'éviter tout démarrage accidentel. De telles mesures de sécurité préventives réduisent le risque de démarrage accidentel de la tondeuse.

Si vous n'utilisez pas votre tondeuse, stockez-la à l'intérieur, dans un lieu sec et fermé, hors de portée des enfants.

Laissez les protections en place et en état de fonctionner. Maintenez la lame affûtée.

Remplacez les lames usées par des lames identiques uniquement. L'utilisation d'autres accessoires pourrait augmenter le risque de blessures.

Veillez à ce que les écrous et boulons soient fermement serrés afin de vous assurer que l'équipement est en état de fonctionner et sûr.

Ne retirez jamais les dispositifs de sécurité et n'essayez jamais de les modifier. Vérifiez régulièrement qu'ils fonctionnent correctement. Ne faites jamais rien qui pourrait interférer avec le fonctionnement prévu d'un dispositif de sécurité ou pour réduire la protection assurée par un dispositif de sécurité.

Retirez l'herbe, les feuilles ou d'autres débris ayant pu s'accumuler sur la machine.

Si vous heurtez un corps étranger, arrêtez la machine et contrôlez-la. Réparez-la si nécessaire avant de redémarrer.

Ne procédez jamais à aucun(e) réglage ou réparation lorsque le moteur fonctionne.

Vérifiez souvent les composants du collecteur d'herbe et la protection de l'éjection et remplacez-les par des pièces recommandées par le fabricant, le cas échéant.

Assurez-vous que toutes les pièces de rechange sont approuvées par le fabricant.

Les lames de tondeuse sont affûtées. Enveloppez la lame dans un linge ou portez des gants et soyez très vigilants lorsque vous l'entretenez.

Soyez vigilant lors du réglage de la machine afin que vos doigts ne se retrouvent pas coincés entre la lame en mouvement et les éléments fixes de la machine.

Lors de l'entretien de la lame, gardez en tête que, même si l'alimentation est désactivée, la lame peut malgré tout être actionnée.

Entretenez ou remplacez les étiquettes de sécurité et de consigne, le cas échéant.

Batterie et charge

Ne rechargez pas la batterie sous la pluie ou dans des lieux humides. Conservez le chargeur de la batterie à l'abri de la pluie et de l'humidité. L'infiltration d'eau dans le chargeur de la batterie augmente le risque d'électrocution.

N'utilisez pas une tondeuse fonctionnant sur batterie sous la pluie.

Retirez ou déconnectez la batterie avant de supprimer les débris de la tondeuse ou de nettoyer ou de procéder à la maintenance de cette dernière.

Utilisez uniquement la tondeuse avec les modèles de batterie suivants spécialement conçus de la série B Oregon : B425E, B600E ou B650E. L'utilisation d'un autre type de batterie peut provoquer un risque de blessure et d'incendie.

Rechargez la batterie en vous servant exclusivement du chargeur préconisé par le fabricant, c'est-à-dire le modèle Oregon C600, C650 ou C750. Un chargeur correspondant à un certain modèle de batterie peut entraîner un risque d'incendie s'il est utilisé avec une autre batterie.

Ne rechargez aucune autre batterie avec ce chargeur. Le chargeur de batterie convient exclusivement pour charger les batteries lithium ion présentant la plage de tension indiquée et approuvée par le fabricant. Si vous ne respectez pas cette consigne, vous vous exposez à un risque d'incendie et d'explosion.

Avant chaque utilisation, contrôlez le chargeur de batterie, le câble et la fiche. Si vous constatez des dommages, n'utilisez pas le chargeur. N'ouvrez jamais le chargeur de batterie vous-même. Confiez les réparations à un technicien qualifié uniquement et utilisant des pièces d'origine. Des chargeurs de batterie, câbles et fiches endommagés augmentent le risque d'électrocution.

Veillez à ce que le chargeur de la batterie reste propre. De la saleté pourrait entraîner un risque d'électrocution.

Nettoyez occasionnellement les fentes d'aération de la batterie avec une brosse douce, propre et sèche.

Ne jetez pas la batterie au feu, car elle pourrait exploser. Consultez les règlements locaux pour connaître les possibles consignes de mise au rebut spécifiques.

Ne tentez pas d'ouvrir ou d'abîmer la batterie. L'électrolyte qu'elle contient est corrosif et risquerait de brûler vos yeux ou votre peau. Il peut également être toxique s'il est ingéré.

Soyez prudent lorsque vous manipulez des batteries afin de ne pas causer de court-circuit de la batterie avec des matériaux conducteurs tels que des bagues, bracelets et clés. La batterie ou l'élément conducteur peut surchauffer et causer des brûlures.

Si vous n'utilisez pas la batterie, conservez-la à l'écart des objets métalliques tels que trombones, pièces de monnaie, clés, vis, aiguilles ou autres petits objets métalliques pouvant créer une connexion entre une borne et l'autre. La mise en court-circuit des bornes de batteries peut causer des brûlures ou un incendie.

En cas d'utilisation inadaptée, du liquide peut être éjecté de la batterie. Évitez tout contact avec ce dernier. En cas de contact accidentel, rincez à l'eau. En cas de contact oculaire, rincez à l'eau et consultez un médecin. Le liquide éjecté de la batterie peut provoquer des irritations ou des brûlures.

En cas de dommage ou d'utilisation inappropriée de la batterie, des vapeurs pourraient être émises. Ventilez la zone et consultez un médecin en cas de plaintes. Les vapeurs peuvent irriter le système respiratoire.

N'utilisez pas une batterie ou une tondeuse endommagée ou modifiée. Les batteries endommagées ou modifiées peuvent réagir de manière imprévisible, provoquant un incendie, une explosion ou un risque de blessure.

N'exposez pas une batterie ou une tondeuse à un incendie ou à des températures excessives (exposition continue aux rayons intenses du soleil ou stockage dans un véhicule chaud). En cas d'exposition à un incendie ou à des températures supérieures à 130 °C, la batterie/tondeuse peut provoquer une explosion. Stockez uniquement la batterie dans une plage de températures comprise entre 0 °C et 40 °C.

Respectez toutes les consignes de charge et ne rechargez pas la batterie ou la tondeuse en dehors de la plage de températures indiquée dans ces

consignes. Une recharge inappropriée ou en dehors de la plage de températures spécifiée peut endommager la batterie et augmenter le risque d'incendie.

Ne faites pas fonctionner le chargeur sur des surfaces ou dans des environnements facilement inflammables (papier, textiles, etc. par exemple). La chaleur émise par le chargeur pendant le processus de charge peut créer un risque d'incendie.

Confiez la maintenance de votre machine à un technicien qualifié se servant exclusivement de pièces de rechange identiques. Vous préserverez ainsi le niveau de sécurité du produit.

Ne tentez pas de réparer vous-même la tondeuse ou la batterie, sauf indication contraire dans les consignes d'utilisation et de maintenance.

Stockage

Stockez toujours la tondeuse dans un endroit frais et sec, à l'abri de la lumière directe du soleil. Une exposition prolongée aux rayons du soleil et aux UV peut abîmer le plastique et réduire la performance des protections.

Transport

Les batteries lithium-ion incluses sont soumises aux exigences de la législation relative aux marchandises dangereuses. L'utilisateur peut transporter les batteries par la route sans exigences supplémentaires.

En cas de transport par des tierces parties (par ex., transport aérien ou agence de transport), des exigences spécifiques concernant l'emballage et l'étiquetage doivent être observées. Il est nécessaire de consulter un spécialiste des matériaux dangereux lors de la préparation de l'article à expédier.

Les batteries ne peuvent être expédiées que si leur logement n'est pas endommagé.

Masquez ou isolez les contacts ouverts et emballez la batterie de sorte qu'elle ne puisse pas bouger dans l'emballage.

Le cas échéant, respectez également les réglementations nationales plus détaillées.

Mise au rebut

Ne jetez pas les outils de jardinage, chargeurs de batterie et batteries/batteries rechargeables avec les déchets ménagers.

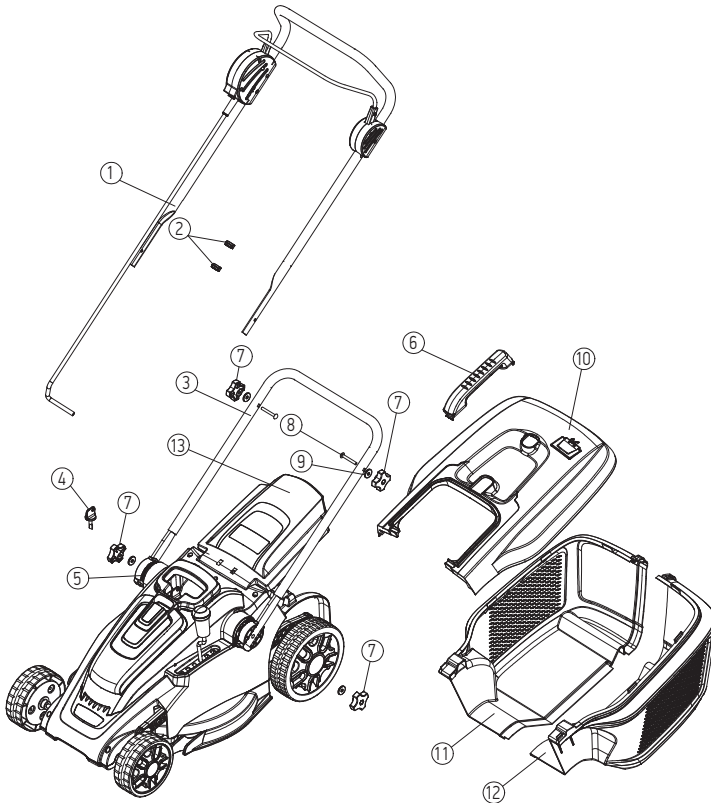
CONSERVEZ CES CONSIGNES

Symboles et étiquettes

Ces symboles et étiquettes figurent sur la tondeuse à gazon, la batterie et le chargeur.

SYMBOLE	NOM	DESCRIPTION
	Alerte de sécurité - Risque général	Le texte qui suit explique un danger, un avertissement ou une mise en garde.
	Lisez le manuel d'utilisation.	Le manuel d'utilisation original contient des consignes de sécurité et d'utilisation importantes. Lisez-les attentivement et respectez-les.
	Laissez les dispositifs de sécurité en place.	N'ouvrez ou ne retirez pas les dispositifs de protection pendant que l'outil fonctionne.
	Ne laissez personne approcher.	Arrêtez de tondre si des enfants ou des personnes se tiennent trop près.
	Regardez derrière vous lorsque vous reculez.	Regardez à vos pieds et derrière vous lorsque vous reculez afin d'éviter de trébucher.
	Risque en pente raide	Soyez extrêmement vigilant dans les pentes. Ne tondez pas sur des pentes supérieures à 15 degrés.
	Retirez la clé de sécurité.	Coupez le moteur et retirez la clé de sécurité avant le réglage ou le nettoyage. Ne laissez jamais une machine en marche sans surveillance.
	Portez des lunettes de protection.	Portez des lunettes de protection lorsque vous utilisez la machine.
	Portez des protections auditives.	Portez des protections auditives lorsque vous utilisez la machine.
	Portez des gants de protection.	Portez des gants de protection lorsque vous utilisez la machine ou touchez la lame arrêtée.
	Portez un pantalon long.	Portez un pantalon long lorsque vous utilisez la tondeuse.
	Portez des chaussures de sécurité.	Portez des chaussures de travail à bout fermé lorsque vous utilisez la tondeuse.
	N'incinerez pas la machine.	Ne jetez pas la machine au feu.
	Ne mettez pas la machine au rebut.	Ne jetez pas la machine avec les déchets ménagers. Apportez-la dans un centre de recyclage homologué.
	N'exposez pas la machine à la pluie.	N'utilisez pas le chargeur dans des conditions humides.
	Températures de fonctionnement	N'utilisez la batterie qu'à des températures comprises entre 0 °C et 40 °C (32 °F et 104 °F).
	Retirez la batterie.	Retirez la batterie avant de procéder à toute tâche de maintenance.

Identification du produit



- ① Ensemble poignée supérieure
- ② Serre-câbles
- ③ Poignée inférieure
- ④ Clé de sécurité
- ⑤ Bloc de rotation
- ⑥ Poignée du collecteur d'herbe
- ⑦ Bouton

- ⑧ Boulon
- ⑨ Rondelle
- ⑩ Capot du collecteur d'herbe
- ⑪ Collecteur d'herbe gauche
- ⑫ Collecteur d'herbe droite
- ⑬ Capot de vidange

Montage

Utilisation prévue

Cette machine de jardinage a été conçue pour tondre le gazon d'habitations privées.

Montage (Fig. A - B - C - D)

⚠ AVERTISSEMENT : vérifiez que la batterie a été retirée de la machine.

Fixez les blocs de rotation (5) dans la poignée inférieure (3) (Fig. A). Vous pouvez ensuite fixer la poignée inférieure (3) à la machine à l'aide des boutons (7). Fixez la poignée supérieure au châssis de la poignée inférieure (Fig. B), puis serrez en utilisant les boutons (7), les boulons (8) et la rondelle (9). Serrez manuellement les boutons (7).

Montez le bac collecteur en assemblant les deux côtés du bac (11, 12) et en vous assurant que tous les onglets situés le long du bord de raccordement de (11) sont correctement logés dans le bord de (12). Vous allez

entendre un déclic indiquant que chaque onglet est bien en place. Assurez-vous que toute la jonction entre (11) et (12) est correctement connectée (Fig. C).

Placez le haut du bac collecteur (10) sur l'élément formé par (11) et (12). Assurez-vous que tous les onglets sur le bord de (11) et (12) sont correctement fixés dans le châssis de (10). Vous allez entendre un déclic indiquant que chaque onglet est bien en place (Fig. C).

Placez la poignée du bac collecteur (6) au bon endroit sur le haut du bac collecteur (10). Poussez fermement les onglets de la poignée dans le bac collecteur en vous assurant que la poignée est correctement logée. Vous allez entendre un déclic indiquant que chaque onglet est bien en place (Fig. C).

Pour fixer le bac collecteur à la machine, soulevez et maintenez ouvert le capot de l'éjection d'une main et, avec l'autre main, faites glisser le bac collecteur à l'arrière de la machine, en vous assurant que ce dernier est correctement placé sur le châssis de la machine. Relâchez le capot à ressort de l'éjection en le laissant retomber sur l'ouverture entre le bac collecteur et la machine (Fig. D).

Fixez correctement le câble sur le guidon en utilisant les serre-câbles (2) fournis (Fig. D).

Insertion et dépose de la batterie (Fig. E - F - G)

⚠ AVERTISSEMENT : assurez-vous que le contact est coupé avant d'insérer ou de déposer la batterie.

Pour insérer la batterie, appuyez sur le bouton (16) situé sur le capot du compartiment de la batterie (17) et soulevez le capot (17) (Fig. E, F). Insérez la batterie dans le capot du compartiment de la batterie, en vous assurant que les petits rails sur le capot sont alignés sur les rainures de la batterie. Poussez fermement la batterie en place jusqu'à ce que vous entendiez un déclic. Fermez le capot de la batterie. Vous allez entendre un déclic indiquant que le capot est bien fermé (Fig. G).

Pour déposer la batterie, ouvrez le capot du compartiment de la batterie. Soulevez le petit bouton sous le devant de la batterie pour libérer cette dernière. Le bouton à ressort va libérer la batterie et vous permettre de la déposer. Fermez le capot pour éviter tout dommage accidentel de la machine.

Réglage de la hauteur de coupe (Fig. H)

Votre tondeuse est équipée d'un système central de réglage de la hauteur proposant 6 options de hauteur. Les réglages sont approximativement les suivants: 25 mm (1 po), 35 mm (1 3/8 po), 45 mm (1 3/4 po), 55 mm (2 1/8 po), 65 mm (2 1/2 po) et 75 mm (3 po). La hauteur de coupe réelle peut être légèrement différente.

Pour régler la hauteur de coupe de la machine, positionnez le levier (Fig. H) sur la hauteur souhaitée. Les nombres indiqués sur le corps de la machine (25, 35, 45, 55, 65, 75) indiquent la hauteur de coupe approximative de la machine dans cette position. Plus le nombre est faible, plus l'herbe sera coupée court.

Effectuez toujours un essai en coupant l'herbe sur une position plus élevée, puis diminuez la hauteur pour déterminer la hauteur de coupe que vous préférez.

Utilisation de la clé de sécurité (Fig. I)

La clé de sécurité est un dispositif de sécurité important de la machine. Le moteur et la lame de la machine ne peuvent démarrer que si la clé de sécurité est insérée et placée sur la position de marche. N'insérez la clé de sécurité que si vous avez l'intention de démarrer la machine et de faire tourner la lame.

Pour insérer la clé de sécurité, poussez-la dans la prise en alignant le petit ergot de la clé sur la serrure dans la prise (Fig. I).

Pour mettre la machine en position de marche, faites tourner la clé dans le sens horaire jusqu'à ce que la petite flèche de la clé pointe vers le « I ».

Pour mettre la machine en position d'arrêt, faites tourner la clé dans le sens antihoraire jusqu'à ce que la petite flèche de la clé pointe vers le « O ». Vous pouvez alors retirer la clé.

Vous ne pouvez démarrer le moteur que si la clé de sécurité est en place.

Remplacement ou affûtage de la lame (Fig. L)

⚠ AVERTISSEMENT : retirez toujours la batterie et la clé de sécurité avant d'effectuer une opération de maintenance.

La lame a été conçue comme une pièce remplaçable et doit être affûtée de temps en temps. Affûtez-la lorsqu'elle est émoussée. Remplacez-la lorsqu'elle est endommagée. Contactez votre revendeur ou le fabricant pour connaître les consignes appropriées.

Fonctionnement (Fig. J)

Assurez-vous d'abord que vous êtes dans la bonne zone de coupe. Vérifiez que personne (ni aucun objet étranger) ne se trouve dans la zone de coupe. Inspectez la machine pour voir si elle présente d'éventuels dommages ou conditions dangereuses.

Assurez-vous que la hauteur de coupe de la machine est celle que vous souhaitez.

Assurez-vous que la clé de sécurité est en position de marche (Fig. I).

Maintenez le bouton de sécurité (20) enfoncé, puis pressez le levier de contact (19) vers le guidon (Fig. J).

Lorsque la machine démarre, relâchez le bouton de sécurité (20). Maintenez cependant la pression sur le levier de contact avec vos deux mains pendant l'utilisation.

Si vous relâchez le levier de contact, la machine va s'arrêter. La lame peut continuer à tourner pendant un certain temps une fois le courant coupé.

Arrêt de la machine

Relâchez le levier de contact (19) (Fig. J). Si vous relâchez le levier de contact, la machine va s'arrêter. La lame peut continuer à tourner pendant un certain temps une fois le courant coupé.

Batterie et chargeur

⚠ AVERTISSEMENT : pour réduire le risque d'électrocution, ne chargez pas la batterie sous la pluie.

Indicateur LED de niveau de charge de la batterie

La batterie lithium ion est équipée d'un indicateur LED de niveau de charge. Pour tester le niveau de charge de la batterie, enfoncez le bouton indicateur sur la face de la batterie.

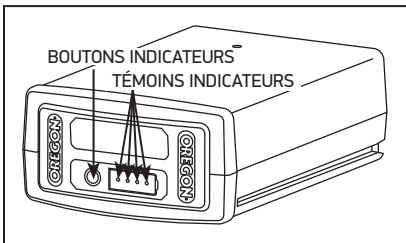
Pas de LED allumée : recharge.

Une LED verte continue :
moins de 25 % de charge.
Charger la batterie avant d'utiliser
la machine.

Deux LED vertes continue :
26–50 % de charge.

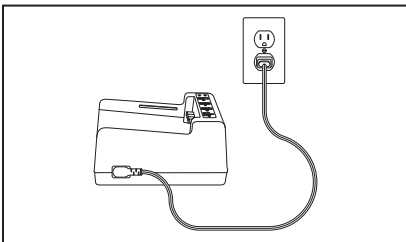
Trois LED vertes continues :
51–75 % de charge.

Quatre LED vertes continues :
76–100 % de charge.



Branchement du chargeur

Si le chargeur est équipé d'un cordon d'alimentation séparé, branchez le cordon au chargeur et à la bonne prise de courant.



N'utilisez que le cordon fourni avec le chargeur. Vérifiez que le type de fiche correspond à la prise avant la première utilisation.

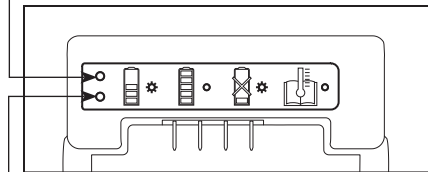
Indicateur LED d'état de charge du chargeur

Le chargeur de batterie est équipé d'un indicateur LED d'état de charge indiquant l'état de charge ainsi que les conditions qui pourraient allonger ou empêcher le chargement.

Note : aucun témoin ne sera visible tant qu'aucune batterie n'est insérée.

LED orange clignotante : il y a un problème. Les causes potentielles sont nombreuses. Reportez-vous au chapitre « Dépistage des pannes » dans ce manuel.

LED orange continue : la température de la batterie se situe en dehors de la plage autorisée (0 °C/32 °F à 40 °C/104 °F). Laissez à la batterie le temps d'atteindre la plage de température acceptable avant de la charger. Vous pouvez laisser la batterie dans le chargeur pendant ce temps. Le chargement commencera lorsque la température correcte sera atteinte.



LED verte clignotante : la batterie est en cours de chargement.

LED verte continue : la batterie est prête à l'utilisation.

Recharge de la Batterie d'Accus

⚠ AVERTISSEMENT : L'inobservation des procédures de charge appropriées risque d'entraîner l'apparition d'un courant dont la tension et/ou l'intensité sont excessives, une perte de contrôle pendant la charge, la fuite de produits chimiques dangereux, la production de chaleur, l'éclatement des accus, voire un incendie. Respectez ces consignes de charge.

Après avoir raccordé le cordon du chargeur à ce dernier et l'avoir branché sur une prise d'alimentation secteur, alignez les rainures latérales de la batterie d'accus sur les rails que présente le chargeur, puis faites-la coulisser sur ceux-ci jusqu'à butée.

Pour plus d'informations, reportez-vous aux manuels de la batterie et du chargeur.

Dépistage des pannes

Servez-vous de ce tableau pour identifier des solutions éventuelles aux problèmes susceptibles d'affecter votre tondeuse à gazon. Si ces suggestions ne permettent pas de résoudre le problème rencontré, reportez-vous au chapitre « Garantie et Services ».

PROBLÈME	CAUSE ÉVENTUELLE	MESURES CORRECTIVES
La machine ne fonctionne pas	Bourrage possible	Retirer la clé de sécurité : Vérifier le dessous de l'outil et dégager l'éventuel bourrage (en portant toujours des gants de jardinage)
	La batterie n'est pas complètement chargée	Batterie en charge
	La batterie n'est pas (correctement) insérée	Insérer la batterie
	Herbe trop longue	Augmenter la hauteur de coupe et soulever l'outil pour réduire la charge au démarrage
	Le fusible du moteur s'est déclenché	Laisser le moteur refroidir et augmenter la hauteur de coupe
	Batterie trop chaude/froide	Laisser la batterie refroidir/se réchauffer
	Clé d'isolation pas insérée correctement/à fond	Insérer correctement la clé
	Le moteur ne démarre pas tout de suite après avoir actionné l'interrupteur Marche/Arrêt.	Maintenir l'interrupteur Marche/Arrêt enfoncé pendant 1 – 3 s pour démarrer le moteur
Le moteur démarre et s'arrête automatiquement	La batterie n'est pas complètement chargée	Batterie en charge
	Clé d'isolation pas insérée correctement/à fond	Insérer correctement la clé
	La batterie n'est pas (correctement) insérée	Insérer la batterie
	Batterie trop chaude/froide	Laisser le moteur refroidir Augmenter la hauteur de coupe
L'outil fonctionne par intermittence	Le câblage interne de l'outil de jardinage est endommagé	Prendre contact avec un agent de service
	Le fusible du moteur s'est déclenché	Laisser le moteur refroidir et augmenter la hauteur de coupe

PROBLÈME	CAUSE ÉVENTUELLE	MESURES CORRECTIVES
L'outil de jardinage laisse un gazon déchiqueté et/ou le moteur peine	Hauteur de coupe trop basse	Augmenter la hauteur de coupe
	Le couteau est émoussé	Remplacer le couteau
	Bourrage possible	Vérifier le dessous de l'outil et dégager l'éventuel bourrage (en portant toujours des gants de jardinage)
	Couteau monté à l'envers	Remonter le couteau correctement
Surface de coupe (autonomie de la batterie) insuffisante	Hauteur de coupe trop basse	Augmenter la hauteur de coupe et avancer moins vite
	Herbe trop haute	Augmenter la hauteur de coupe et avancer moins vite
	Herbe mouillée ou humide	Attendre que l'herbe soit sèche et avancer moins vite
	L'herbe est touffue	Augmenter la hauteur de coupe, avancer moins vite et tondre plus fréquemment.
Le couteau ne coupe pas alors que l'outil de jardinage est sous tension	Le couteau est gêné par un obstacle	Mettre l'outil de jardinage hors tension Éliminer l'élément qui bloque le couteau (en portant toujours des gants de jardinage)
	Écrou/boulon du couteau desserré	Serrer l'écrou/le boulon du couteau (15 Nm)
Vibrations/bruit excessifs	Écrou/boulon du couteau desserré	Serrer l'écrou/le boulon du couteau (15 Nm)
Il est impossible de charger la batterie	Les contacts de la batterie sont sales	Nettoyer les contacts de la batterie (p. ex. en insérant et retirant plusieurs fois la batterie) ou remplacer la batterie
	La batterie est défectueuse en raison d'un mauvais contact interne.	Remplacer la batterie
Les LED de contrôle de charge ne s'allument pas après insertion de la fiche dans la prise secteur	La fiche n'est pas (correctement) insérée dans la prise secteur	Insérer (à fond) la fiche dans la prise secteur
	Problème au niveau de la sortie de la prise secteur, du cordon d'alimentation ou du chargeur	Vérifier la tension secteur et si nécessaire faire contrôler le chargeur auprès d'un atelier de service après-vente autorisé pour les outils motorisés

Caractéristiques techniques

TONDEUSE À GAZON À BATTERIE RECHARGEABLE	LM300
Largeur du couteau	40 cm
Hauteur de coupe mm	25 mm – 75 mm
Capacité du collecteur d'herbe	50 L
Poids avec batterie	16.3 kg
Numéro de série	Voir plaquette signalétique sur la machine de jardinage
BATTERIE	LI-ION
Tension nominale	36V
Capacité	2,4 Ah-4,0 Ah
Période de chargement (batterie déchargée)	120 min
Nombre de cellules de batterie	20
Superficie de tonte par charge de batterie	400-500 m ²
Niveau sonore	93
Niveau de pression acoustique	73
Vibrations au niveau des mains/bras avhw	< 2,5 m/s ² k = 1,5 m/s ²

Garantie et service

Garantie

Blount, Inc. garantit tous les chargeurs et outils sans fil Oregon® enregistrés pour une période de trois (3) ans et tous les blocs de batterie sans fil Oregon® enregistrés pour une période de deux (2) ans à compter de la date d'achat initiale. Les chargeurs, blocs de batterie et outils sans fil Oregon® enregistrés sont garantis deux (2) ans s'ils sont utilisés à des fins commerciales. Cette garantie limitée s'applique aux produits du système d'outils sans fil fabriqués par Oregon®. Pendant la période de garantie, Blount réparera ou, à sa discrétion, remplacera sans frais pour l'acheteur d'origine seulement tout produit ou toute pièce ayant un défaut de matériau ou de main-d'œuvre confirmé après vérification de Blount. Le propriétaire sera responsable de tous les frais de transport et du coût de démontage de toute pièce soumise pour remplacement en vertu de la garantie.

Pour enregistrer votre produit, visitez la rubrique « Soutien » de **OregonCordless.com**.

Renseignements de service et de soutien

Visitez-nous sur le web à **OregonCordless.com** pour des renseignements sur les centres de service ou communiquez avec notre département de service à la clientèle au 888 313 8665 pour une assistance, des conseils techniques supplémentaires, une réparation, ou des pièces de rechange.

Par souci de sécurité, utilisez uniquement des pièces de rechange authentiques d'usine sur l'outil électrique. Le personnel de notre centre de service a été formé pour vous fournir aide et soutien de façon efficace pour tout réglage, réparation ou remplacement requis pour tous les produits du système d'outils sans fil Oregon®.

Tabla de contenidos

Instrucciones de seguridad importantes	33
Operación general	33
Operación en pendiente.	34
Niños	34
Servicio	35
Paquetes de baterías y carga	35
Almacenamiento	36
Transport	36
Eliminación	36
Símbolos y etiquetas	37
Identificación del producto	38
Montaje.	39
Batería y cargador	41
Solución de problemas	42
Datos técnicos	44
Garantía y servicio	45
Figures	60

Instrucciones de seguridad importantes

PRÁCTICAS SEGURAS PARA CORTACÉSPED CONTROLADOS POR PEDESTRES

⚠️ ADVERTENCIA: Al utilizar los cortacésped inalámbricos, siempre se deben seguir las precauciones básicas de seguridad para reducir el riesgo de incendio, descarga eléctrica y lesiones personales, incluyendo lo siguiente:

Esta máquina cortadora es capaz de amputar manos y pies y lanzar objetos. El incumplimiento de las siguientes instrucciones de seguridad podría provocar lesiones graves o la muerte.

Operación general

Lea, comprenda y siga todas las instrucciones en la máquina y en el/los manual/es antes de comenzar.

Evite el arranque involuntario. Asegúrese de que el interruptor esté en la posición de apagado antes de insertar el paquete de baterías. Insertar el paquete de baterías en máquinas que tienen el interruptor encendido invita a accidentes.

Mantenga las manos y los pies alejados de la zona de corte. Manténgase alejado de la abertura de descarga en todo momento.

Sólo permita operar esta máquina a adultos responsables que estén familiarizados con las instrucciones. Esta herramienta no está diseñada para ser usada por personas (incluyendo niños) con capacidades físicas, sensoriales o mentales reducidas, o con falta de experiencia y conocimiento.

Mantenga el cortacésped con cuidado - Mantenga los filos de corte afilados y limpios para un rendimiento óptimo y seguro.

Siga las instrucciones para lubricación y cambio de accesorios.

Mantenga el manillar seco, limpio y libre de aceite y grasa.

Los objetos golpeados por la cuchilla del cortacésped pueden causar lesiones graves a las personas. Limpiar el área de objetos como piedras, alambres, juguetes, etc., que podrían ser lanzados por la hoja. Manténgase detrás del manillar cuando el motor está funcionando.

Si el cortacésped golpea un objeto extraño, siga estos pasos:

- Pare el cortacésped. Suelte el interruptor.

- Quite el paquete de las baterías.
- Inspeccione si hay daños.
- Repare cualquier daño antes de reiniciar y operar el cortacésped.

Asegúrese de que el área esté libre de niños y otros transeúntes antes de operar. Pare la máquina si alguien entra en el área. El operador o usuario es responsable de los accidentes o daños ocurridos a otras personas o a su propiedad.

No utilice la máquina con los pies descalzos o con sandalias. Siempre llevar calzado.

Vestir correctamente - No lleve ropa suelta o joyas. Pueden quedar atrapadas en partes móviles. Se recomienda el uso de guantes de goma y calzado cuando se trabaja al aire libre. Lleve pantalones largos.

Siempre utilice protección para los ojos al operar la máquina.

Siempre utilice máscara facial o antipolvo si la operación es polvorienta.

Nunca corte jalando de la cortadora hacia usted. Desenganche la palanca del interruptor para apagar la máquina y tenga extrema precaución cuando retroceda o jale de la máquina hacia usted. Siempre mire hacia abajo y hacia atrás antes y mientras retrocede.

Siempre manténgase alejado de la zona de descarga al operar la máquina. Nunca dirija el material descargado hacia nadie. Evite descargar material contra una pared u obstrucción. El material puede rebotar hacia el operador.

Apague la máquina desenganchando la palanca del interruptor cuando cruce gravilla y otras superficies que no sean hierba.

Nunca levante ni arrastre la máquina mientras el motor esté en marcha.

Inspeccione siempre todas las protecciones, defensas y dispositivos de seguridad antes de cada uso. No opere la máquina sin el recogedor de césped, el protector de descarga, la defensa trasera u otros dispositivos de seguridad en su lugar y funcionando.

No incline la máquina cuando arranque o encienda el motor, excepto si la máquina tiene que estar inclinada para arrancar en césped alto. En este caso, no la

incline más de lo absolutamente necesario e incline únicamente la parte que está alejada del operador.

Asegúrese siempre de que ambas manos estén en la posición de operación antes de volver la máquina al suelo.

Encienda el motor de acuerdo con las instrucciones con los pies bien alejados de las piezas giratorias.

Nunca deje la máquina en marcha sin vigilancia.

Detenga el motor, espere a que la cuchilla se detenga por completo y quite la batería antes de limpiar la máquina, quitar el recogedor de césped o destapar el protector de descarga.

Opere la máquina sólo a la luz del día o con buena luz artificial.

No opere la máquina mientras esté bajo los efectos de alcohol o drogas.

No utilice un cortacésped a baterías con lluvia.

Evite los ambientes peligrosos - No utilice el cortacésped en lugares húmedos o mojados.

Nunca opere la cortadora en césped mojado. El césped mojado puede hacer que el operador se resbale. Camine, no corra.

Si la máquina comienza a vibrar anormalmente, detenga el motor y compruebe la causa inmediatamente. La vibración generalmente es una advertencia de problemas.

Utilice el aparato correctamente - No utilice el cortacésped para ningún otro trabajo, excepto para el cual está destinado.

No fuerce el cortacésped - Hará el trabajo mejor y más seguro en la medida que ha sido diseñado.

No se extralimite - Manténgase en pie y conserve el equilibrio en todo momento.

Manténgase alerta - Observe lo que está haciendo. Utilice el sentido común. No opere el cortacésped cuando esté cansado.

Consulte las instrucciones del fabricante para la correcta operación e instalación de los accesorios. Sólo los accesorios y anexos suministrados originalmente con el cortacésped están aprobados por el fabricante.

Siempre guarde el cortacésped en un lugar fresco y seco y fuera de la luz directa del sol. La exposición prolongada a la luz solar y los rayos UV puede

degradar los plásticos, lo que podría hacer que las defensas fallen.

Operación en pendiente

Las pendientes son un factor importante relacionado con los accidentes por resbalones y caídas, lo que puede provocar lesiones graves.

La operación en todas las pendientes requiere precaución adicional. Si se siente incómodo en una pendiente, no corte.

Corte a lo ancho de las caras de las pendientes; nunca arriba y abajo. Tenga mucho cuidado al cambiar de dirección en pendientes.

Observe si hay baches, surcos, bultos, rocas u otros objetos ocultos. El terreno desigual puede causar un accidente por resbalón y caída. El césped alto puede ocultar obstáculos.

Evite cortar en césped húmedo o en pendientes excesivamente pronunciadas (> 15°). Una mala posición podría causar un accidente por resbalón y caída.

Tenga mucho cuidado al cambiar de dirección, especialmente en pendientes.

No corte cerca de bajadas, zanjas o terraplenes. Usted podría perder su posición o el equilibrio.

Niños

Los accidentes trágicos pueden ocurrir si el operador no está alerta a la presencia de niños. A menudo los niños se sienten atraídos por la máquina y la actividad de corte. Nunca asuma que los niños permanecerán donde los vio por última vez.

Quite la llave de seguridad siempre que salga o guarde la máquina. Almacene en un lugar seguro y cerrado - fuera del alcance de los niños.

Mantenga a los niños fuera de la zona de corte y bajo vigilancia de un adulto responsable que no sea el operador.

Esté alerta y apague la cortadora si un niño entra en la zona.

No permita nunca que los niños operen la máquina.

Tenga mucho cuidado cuando se acerque a esquinas ciegas, arbustos, árboles u otros objetos que puedan bloquear su visión de un niño.

Servicio

Quite siempre la batería antes de ajustarla, limpiarla, repararla o almacenarla para evitar un arranque involuntario. Tales medidas preventivas de seguridad reducen el riesgo de arrancar el cortacésped accidentalmente.

Mantenga el cortacésped oculto en interiores - Cuando no esté en uso, el cortacésped debe ser almacenado en un lugar seco y cerrado - fuera del alcance de los niños.

Mantenga los protectores en su lugar y en buen estado. Mantenga las cuchillas afiladas.

Utilice únicamente cuchillas de repuesto idénticas. El uso de cualquier otro accesorio o anexo podría aumentar el riesgo de lesiones.

Mantenga todas las tuercas y tornillos apretados para asegurarse de que el equipo está en condiciones seguras de trabajo.

Nunca quite ni manipule los dispositivos de seguridad. Compruebe regularmente su funcionamiento. Nunca haga nada que interfiera con la función prevista de un dispositivo de seguridad o que reduzca la protección proporcionada por un dispositivo de seguridad.

Mantenga la máquina libre de césped, hojas u otros desechos que se acumulan.

Si golpea un objeto extraño, pare e inspeccione la máquina. Repare, si es necesario, antes de comenzar.

Nunca realice ajustes o reparaciones con el motor en marcha.

Revise con frecuencia los componentes del recogedor de césped y el protector de descarga y reemplácelos con las piezas recomendadas por el fabricante, cuando sea necesario.

Asegúrese de que todas las piezas de repuesto o de servicio estén aprobadas por el fabricante.

Las cuchillas del cortacésped están afiladas. Envuelva la cuchilla o use guantes, y extreme la precaución al darle servicio.

Tenga cuidado durante el ajuste de la máquina para evitar el atrapamiento de los dedos entre la hoja móvil y las partes fijas de la máquina.

Al realizar el mantenimiento de las cuchillas, tenga en cuenta que, aunque la fuente de alimentación esté apagada, la cuchilla todavía se puede mover.

Mantenga o reemplace las etiquetas de seguridad e instrucciones, según sea necesario.

Paquetes de baterías y carga

No cargue la batería en caso de lluvia o en lugares húmedos. Mantenga el cargador alejado de la lluvia o la humedad. La penetración de agua en el cargador aumenta el riesgo de una descarga eléctrica.

No utilice un cortacésped a baterías con lluvia.

Quite o desconecte la batería antes de realizar cualquier operación de mantenimiento, limpieza o extracción de material de la cortadora.

Utilice el cortacésped sólo con los paquetes de baterías B425E, B600E o B650E específicamente designados de la serie B de Oregon. El uso de otras baterías puede crear riesgo de lesiones y fuego.

Recargue sólo con el cargador especificado por el fabricante, Oregon C600, C650 o C750. Un cargador adecuado para un tipo de batería puede crear un riesgo de incendio cuando se utiliza con otro paquete de baterías.

No cargue otras baterías en el cargador. El cargador de batería sólo es adecuado para cargar baterías de iones de litio específicas del fabricante y aprobadas dentro del rango de voltaje indicado. De lo contrario existe peligro de incendio y explosión.

Antes de cada uso, compruebe el cargador, el cable y el enchufe de la batería. Si detecta algún daño, no utilice el cargador de baterías. Nunca abra el cargador de baterías. Las reparaciones deben ser realizadas únicamente por un técnico calificado y sólo con piezas de recambio originales. Los cargadores, cables y enchufes dañados de la batería aumentan el riesgo de una descarga eléctrica.

Mantenga limpio el cargador de la batería. La contaminación puede constituir un riesgo de descarga eléctrica.

Limpie ocasionalmente las ranuras de ventilación de la batería con un cepillo suave, limpio y seco.

No arroje la batería al fuego. La celda puede explotar. Consulte en las normas locales las posibles instrucciones especiales de eliminación.

No abra ni mutile la batería. El electrolito liberado es corrosivo y puede causar daño a los ojos o la piel. Puede ser tóxico si se ingiere.

Tenga cuidado al manipular las baterías para no cortocircuitar la batería con materiales conductores tales como anillos, pulseras y llaves. La batería o el conductor pueden recalentarse y causar quemaduras.

Cuando el paquete de baterías no esté en uso, manténgalo alejado de otros objetos metálicos como clips de papel, monedas, llaves, clavos, tornillos u otros objetos metálicos pequeños que puedan realizar una conexión de un terminal a otro. El cortocircuito de los terminales de la batería puede provocar quemaduras o un incendio.

Bajo condiciones abusivas, el líquido puede ser expulsado de la batería; evitar el contacto. En caso de contacto accidental, enjuague con agua. Si el líquido entra en contacto con los ojos, busque ayuda médica. El líquido expulsado de la batería puede causar irritaciones o quemaduras.

En caso de daños y uso indebido de la batería, pueden emitirse vapores. Ventilar el área y buscar ayuda médica en caso de dolencias. Los vapores pueden irritar el sistema respiratorio.

No utilice una batería o un cortacésped dañado o modificado. Las baterías dañadas o modificadas pueden presentar un comportamiento impredecible que puede provocar incendio, explosión o riesgo de lesiones.

No exponga un paquete de baterías o un cortacésped al fuego o una temperatura excesiva tal como luz solar intensa continua o almacenado en un vehículo caliente. La exposición al fuego o a temperaturas por encima de 130°C puede causar una explosión. Almacene la batería sólo en un rango de temperatura entre 0°C y 40°C.

Siga todas las instrucciones de carga y no cargue la batería ni el cortacésped fuera del rango de temperatura especificado en las instrucciones. Cargar incorrectamente o a temperaturas fuera del rango especificado puede dañar la batería y aumentar el riesgo de incendio.

No utilice el cargador de baterías en superficies o entornos fácilmente inflamables (por ejemplo, papel, telas, etc.). El calentamiento del cargador durante el proceso de carga puede representar un riesgo de incendio.

Haga que el servicio sea realizado por una persona de reparación calificada usando solamente piezas de repuesto idénticas. Esto garantizará que se mantenga la seguridad del producto.

No intente reparar el cortacésped o el paquete de baterías excepto como se indica en las instrucciones de uso y cuidado.

Almacenamiento

Siempre guarde el cortacésped en un lugar fresco y seco y fuera de la luz directa del sol. La exposición prolongada a la luz solar y los rayos UV puede degradar los plásticos, lo que podría hacer que las defensas fallen.

Transport

Las baterías de iones de litio contenidas están sujetas a los requisitos de Legislación de Mercancías Peligrosas. El usuario puede transportar las baterías por carretera sin requisitos adicionales.

Al transportarse por terceros (por ejemplo: transporte aéreo o agencia de expedición), deben observarse requisitos especiales en materia de embalaje y etiquetado. Para la preparación del artículo que se envía, se requiere consultar a un experto en materiales peligrosos.

Envíe las baterías sólo cuando la carcasa no esté dañada.

Encinte o enmascare los contactos abiertos y empaque la batería de tal manera que no pueda moverse en el embalaje.

Sírvase también de observar las regulaciones nacionales más detalladas.

Eliminación

No deseche productos de jardín, cargadores de baterías y baterías/pilas recargables con la basura doméstica.

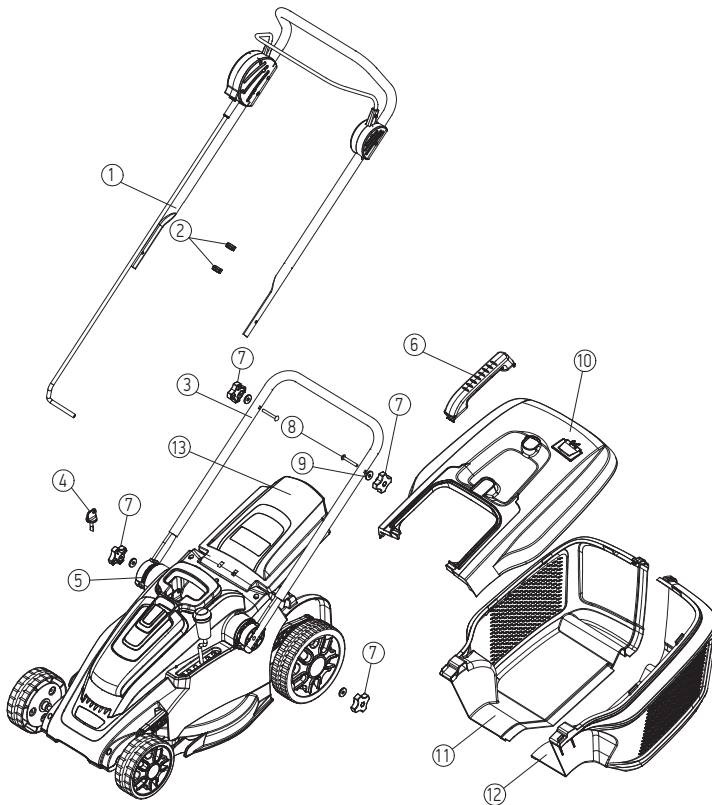
CONSERVE ESTAS INSTRUCCIONES

Símbolos y etiquetas

Estos símbolos y etiquetas aparecen en la cortadora, la batería y el cargador.

SÍMBOLO	NOMBRE	EXPLICACIÓN
	Alerta de seguridad por riesgos generales	El texto que sigue explica un peligro, advertencia o precaución.
	Leer el manual de instrucciones	El manual de instrucciones original contiene información importante de seguridad y funcionamiento. Lea y siga las instrucciones cuidadosamente.
	Mantener los dispositivos de seguridad	No abra ni quite las protecciones de seguridad mientras la herramienta está funcionando.
	Mantener a los transeúntes alejados	No corte cuando los niños u otros estén demasiado cerca.
	Mirar atrás al retroceder	Mire hacia abajo y hacia atrás primero para evitar tropezos al retroceder.
	Peligro de pendiente pronunciada	Tenga mucho cuidado en las pendientes. No corte en pendientes mayores a 15 grados.
	Quitar la llave de seguridad	Apague y quite la llave de seguridad antes de ajustar, limpiar y antes de ajustar la limpieza dejando el producto desatendido por cualquier período.
	Llevar protección para los ojos	Lleve protección para los ojos cuando opere la máquina.
	Llevar protección para los oídos	Lleve protección para los oídos cuando opere la máquina.
	Llevar protección para las manos	Lleve guantes al operar la máquina o al tocar las cuchillas detenidas.
	Llevar pantalones largos	Lleve pantalones largos al operar el cortacésped.
	Llevar protección para los pies	Lleve botas de trabajo cerradas apropiadas al operar el cortacésped.
	No incinerar	No elimine mediante fuego.
	No desechar	No deseche en la basura doméstica. Lleve a una compañía de reciclaje autorizada.
	No exponer a la lluvia	No opere el cargador en condiciones húmedas.
	Temperatura operativa	Utilice la batería sólo a una temperatura entre 0°C y 40°C (32°F a 104°F).
	Quitar la batería	Quite la batería antes de realizar cualquier mantenimiento.

Identificación del producto



- | | |
|--------------------------------------|---|
| ① Conjunto del manillar superior | ⑧ Perno |
| ② Abrazaderas | ⑨ Arandela |
| ③ Manillar inferior | ⑩ Cubierta de la bolsa de recogida |
| ④ Llave de seguridad | ⑪ Parte izquierda de la bolsa de recogida |
| ⑤ Bloque giratorio | ⑫ Parte derecha de la bolsa de recogida |
| ⑥ Empuñadura de la bolsa de recogida | ⑬ Tapa de descarga |
| ⑦ Perilla | |

Montaje

Uso previsto

El producto de jardín está diseñado para cortar el césped doméstico.

Montaje (Fig. A - B - C - D)

⚠️ ADVERTENCIA: Asegúrese de que la batería se ha quitado de la máquina.

Fije los bloques de rotación (5) en el mango inferior (3) (Fig. A), luego puede fijar el mango inferior (3) y la máquina junto con las perillas (7). Fije el mango superior al marco del mango inferior (Fig. B) y luego asegúrelo con las perillas (7), pernos (8), y arandela (9). Apretar a mano las perillas (7).

Monte la caja del césped conectando los dos lados de la caja (11, 12) asegurando que todas las lengüetas situadas a lo largo del borde de conexión de (11) están correctamente colocadas en el borde de (12). Usted oír un sonido audible de tecleo mientras cada lengüeta se asienta correctamente. Asegúrese de que la costura de conexión completa entre (11) y (12) está correctamente conectada (Fig. C).

Ubique la parte superior de la caja de césped (10) sobre la pieza formada de (11) y (12). Asegúrese de que todas las pestañas (11) y (12) se colocan correctamente y con seguridad en el marco de (10). Usted oír un sonido audible de tecleo mientras cada lengüeta se asienta correctamente (Fig. C).

Coloque el mango de la caja del césped (6) en la ubicación adecuada en la parte superior de la caja del césped (10). Empuje firmemente las lengüetas de la manija en la caja del césped, asegurándose de que la manija está bien asentada. Usted oír un sonido audible de tecleo mientras cada lengüeta se asienta correctamente (Fig. C).

Para fijar la caja del césped a la máquina, levante y sujete la tapa de descarga con una mano y con la mano opuesta deslice la caja del césped hacia la parte posterior de la máquina, asegurándose de que la caja del césped se asiente correctamente en el marco de la máquina. Suelte la tapa de descarga con resorte, permitiendo que la cubierta colapse sobre la abertura entre la caja del césped y la máquina (Fig. D).

Asegure adecuadamente el cable al marco del manillar utilizando los clips de cable suministrados (2) (Fig. D).

Inserción y extracción del paquete de baterías (Fig. E - F - G)

⚠️ ADVERTENCIA: Asegúrese de que la llave de seguridad esté apagada antes de insertar o extraer el paquete de baterías.

Para insertar el paquete de baterías, presione el botón (16) en la cubierta de la batería de la máquina (17) y levante la cubierta (17) (Fig. E, F). Inserte el paquete de baterías en la cubierta de la batería, asegurándose de que los rieles pequeños de la cubierta están alineados con las ranuras del carril de la batería. Presione firmemente la batería en su lugar, hasta que escuche un tecleo audible. Cierre la tapa de la batería. Escuchará un tecleo audible cuando la tapa esté bien cerrada. (Fig. G).

Para quitar el paquete de baterías, abra la cubierta de la batería. Levante el pequeño botón debajo de la parte frontal del paquete de baterías para liberar la batería. El botón de resorte liberará la batería, lo que le permitirá sacar la batería de la máquina. Cierre la cubierta para evitar daños accidentales a la máquina.

Ajuste de la altura de corte (Fig. H)

Su cortacésped está equipado con un sistema central de ajuste de altura que ofrece 6 configuraciones de altura. El ajuste es de aproximadamente 1 pulg. (25 mm), 1 3/8 pulg. (35 mm), 1 3/4 pulg. (45 mm), 2 1/8 pulg. (55 mm), 2 1/2 pulg. (65 mm), y 3 in (75 mm). La altura de corte real puede variar ligeramente.

Para ajustar la altura de corte de la máquina, coloque la palanca (Fig. H) en la posición de altura deseada. Los números indicados en el cuerpo de la máquina (25, 35, 45, 55, 65, 75) indican la altura aproximada de corte de la máquina en esa posición. Cuanto menor sea el número, más corto será cortado el césped.

Realice siempre una pequeña prueba cortando el césped en ajustes más altos e ir ajustándolo para determinar la altura de corte deseada.

Uso de la llave de seguridad (Fig. I)

La llave de seguridad es un dispositivo de seguridad importante en la máquina. El motor y las cuchillas de la máquina sólo pueden arrancar cuando se inserta la llave de seguridad y se gira a la posición ON. Inserte la llave de seguridad solamente cuando tenga la intención de arrancar la máquina y girar las cuchillas.

Para insertar la llave de seguridad, empuje la llave de seguridad en la toma, alineando la lengüeta pequeña en la llave con la ranura en la toma **(Fig. I)**.

Para poner la máquina en la posición de "ON" gire la llave en el sentido de las agujas del reloj para que la pequeña flecha indicadora de la llave apunte a la "I".

Para poner la máquina en la posición de "OFF", y para retirar la llave, gire la llave en sentido antihorario para que la pequeña flecha indicadora de la llave apunte a la "O". Ahora puede quitar la llave.

El arranque del motor sólo puede realizarse con la llave de seguridad.

Sustitución o afilado de la cuchilla de corte (Fig. L)

⚠ ADVERTENCIA: Quite siempre la batería y la llave de seguridad cuando realice cualquier mantenimiento.

La cuchilla de corte está diseñada para ser un elemento reemplazable y puede necesitar ser afilada de vez en cuando. Afile con la máquina apagada. Reemplace cuando haya daños. Contacte a su distribuidor o al fabricante para obtener las instrucciones adecuadas.

Operación (Fig. J)

En primer lugar, asegúrese de que se encuentra en el área de corte adecuada. Asegúrese de que el área de corte está libre de observadores y objetos extraños. Inspeccione la máquina para detectar posibles daños o condiciones inseguras.

Asegúrese de que la altura de corte de la máquina esté a la altura deseada.

Asegúrese de que la seguridad esté en la posición "ON" **(Fig. I)**.

Mantenga presionado el botón de seguridad **(20)**, presione la palanca del interruptor **(19)** hacia el manillar **(Fig. J)**.

Cuando la unidad se encienda, suelte el botón de seguridad **(20)**. Mantenga presionado la palanca del interruptor con las dos manos durante el uso.

Al soltar la palanca del interruptor se desconectará la alimentación a la unidad. Las cuchillas pueden seguir girando durante un período de tiempo después de que se desconecta la alimentación.

Parar la máquina

Suelte la palanca del interruptor **(19)** **(Fig. J)**. Al soltar la palanca del interruptor se desconectará la alimentación a la unidad. Las cuchillas pueden seguir girando durante un período de tiempo después de que se desconecta la alimentación.

Batería y cargador

⚠ ADVERTENCIA: Para reducir el riesgo de descarga eléctrica, no cargue la batería bajo la lluvia.

Indicador LED de Nivel de Carga de la Batería

La batería de iones de litio está equipada con un indicador LED de nivel de carga. Para comprobar el nivel de carga de la batería, pulse el botón indicador en la parte delantera de la batería.

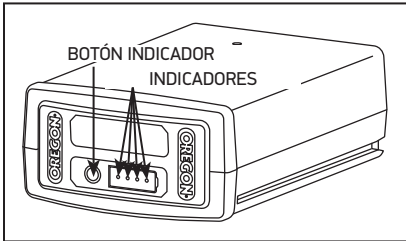
No hay luz: recargue.

Una luz verde fija:
menos del 25% de la carga.
Cargue la batería antes de su uso.

Dos luces verdes fijas:
carga del 26-50%.

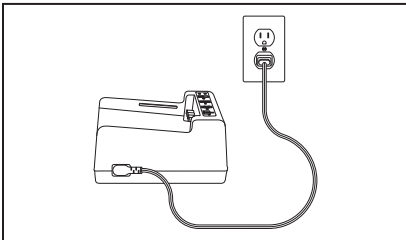
Tres luces verdes fijas:
carga del 51-75 %.

Cuatro luces verdes fijas:
carga del 76-100 %.



Conexión del Cargador

Si el cargador incluye un cable de alimentación aparte, conecte el cable del cargador al cargador y a la toma de corriente adecuada.



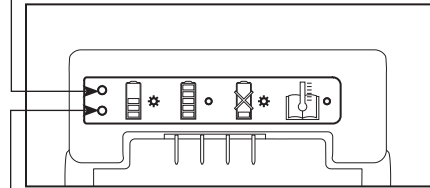
Utilice los cables suministrados únicamente con el cargador. En el primer uso, compruebe que el tipo de enchufe coincide con el receptáculo.

Indicador LED de Estado de Carga

El cargador de la batería está equipado con un indicador LED de estado de carga que indica el estado de carga, así como condiciones que puedan retrasar o impedir la carga.

Nota: Hasta que no se inserte una batería no se verán luces.

- Luz naranja intermitente: existe un fallo. Hay varias causas posibles. Consulte el apartado "Solución de problemas" de este manual.
- Luz naranja fija: la temperatura de la batería está fuera del intervalo aceptable (0°C a 40°C). Deje que la batería alcance el intervalo de temperatura aceptable antes de cargarla. La batería se puede dejar en el cargador mientras se ajusta la temperatura. La carga comenzará cuando se alcance la temperatura adecuada.



- Luz verde intermitente: la batería se está cargando.
- Luz verde fija: la batería está lista para su uso.

Carga de la Batería

⚠ ADVERTENCIA: No seguir los procedimientos de carga adecuados puede provocar una tensión excesiva, un flujo de corriente excesivo, la pérdida de control durante la carga, una fuga de productos químicos peligrosos, generación de calor, explosión o incendio. Siga estas instrucciones de carga.

Con el cable del cargador conectado al cargador y enchufado a una toma de corriente, alinee las ranuras de la batería con los raíles del cargador y deslice la batería en el cargador hasta que esté completamente asentada.

Para obtener más información, consulte nuestros manuales de batería y cargador.

Solución de problemas

Utilice esta tabla para ver posibles soluciones a posibles problemas con el cortacésped. Si estas sugerencias no resuelven el problema, consulte el apartado "Garantía y Servicio".

PROBLEMA	POSIBLE CAUSA	MEDIDA CORRECTIVA
La machine ne fonctionne pas	Posible obstrucción	Retire la llave de seguridad: Compruebe los bajos de la máquina y limpie en caso necesario (utilice siempre guante de jardinería)
	La batería no carga por completo	Carga de la batería
	Batería no insertada (correctamente)	Introducción de la batería
	Hierba demasiado alta	Aumente la altura de corte e incline la máquina para reducir la carga al comenzar
	Sistema de protección del motor activado	Permita que el motor se enfríe e incremente la altura de corte
	Batería demasiado caliente/fría	Permita que se enfríe/caliente
	Llave del aislador no introducida correctamente/por completo	Introdúzcala correctamente
	Se produce un leve retardo en el arranque del motor tras accionar el interruptor de encendido/apagado	Mantenga el interruptor de encendido/apagado durante 1 – 3 s para arrancar el motor
Le moteur démarre et s'arrête automatiquement	La batería no carga por completo	Carga de la batería
	Llave del aislador no introducida correctamente/por completo	Introdúzcala correctamente
	Batería no insertada (correctamente)	Introducción de la batería
	Batería demasiado caliente/fría	Permita que el motor se enfríe/caliente Aumente la altura de corte
La herramienta funciona de modo intermitente	Cableado interno de la máquina dañado	Contacte con un agente de servicio
	Sistema de protección del motor activado	Permita que el motor se enfríe e incremente la altura de corte

PROBLEMA	POSIBLE CAUSA	MEDIDA CORRECTIVA
Un producto de jardín provoca un acabado irregular y/o un esfuerzo excesivo del motor	Altura de corte demasiado baja	Aumente la altura de corte
	Cuchilla de corte desafilada	Sustituya la cuchilla
	Posible obstrucción	Compruebe los bajos de la máquina y limpie en caso necesario (utilice siempre guante de jardinería)
	Cuchilla montada boca abajo	Monte la cuchilla correctamente
Área de corte (duración de la batería) insuficiente	Altura de corte demasiado baja	Aumente la altura de corte y avance más despacio
	Césped demasiado alto	Aumente la altura de corte y avance más despacio
	Césped mojado o húmedo	Espere a que se seque y avance más despacio
	Césped denso	Aumente la altura de corte, avance más despacio y corte con más frecuencia
La cuchilla de corte no gira con la máquina en funcionamiento	Cuchilla obstruida	Apague la máquina Elimine la obstrucción (utilice siempre guantes de jardinería)
	Tuerca/Perno de la cuchilla suelto	Apriete los pernos/tuercas de la cuchilla (15 Nm)
Ruido/Vibraciones excesivos	Tuerca/Perno de la cuchilla suelto	Apriete los pernos/tuercas de la cuchilla (15 Nm)
No es posible realizar el procedimiento de carga	Contactos de la batería sucios	Limpie los contactos de la batería (por ejemplo, introduciendo y extrayendo varias veces la batería) o sustituya la batería
	Batería defectuosa debido a una desconexión en la misma	Sustituya la batería
Los LED de control de carga no se iluminan tras introducir el enchufe en la toma.	Enchufe del cargador de batería no conectado (correctamente)	Introduzca el enchufe (completamente) en la toma de pared
	Toma de pared, cable de alimentación o cargador de batería defectuoso	Compruebe la tensión de alimentación y, en caso necesario, solicite a un centro de atención al cliente autorizado para herramientas eléctricas que revise el cargador de la batería

Datos técnicos

CORTACÉSPED CON BATERÍAS RECARGABLES	LM300
Ancho de corte	40 cm
Altura de corte	25 mm – 75 mm
Bolsa de recogida, capacidad	50 L
Peso con batería	16.3 kg
Número de serie	Consulte la placa de identificación de la herramienta de jardinería
BATERÍA	IONES DE LITIO
Tensión nominal	36V
Capacidad	2,4 Ah-4,0 Ah
Periodo de carga (con la batería descargada)	120 min
Número de celdas de la batería	20
Área de césped por carga de batería	400-500 m ²
Nivel de potencia acústica	93
Nivel de presión acústica	73
Vibraciones en mano/brazo, avhw ¹	< 2,5 m/s ² k = 1,5 m/s ²

Garantía y servicio

Garantía

Blount, Inc. ofrece una garantía de tres (3) años de duración para las Herramientas inalámbricas y los Cargadores Oregon® registrados y de dos (2) años de duración para los módulos de Baterías inalámbricas Oregon® registrados a partir de la fecha de la compra original. Las Herramientas inalámbricas, los Módulos de Baterías y los Cargadores Oregon® registrados tienen una garantía de dos (2) años de duración si se utilizan para fines comerciales. Esta garantía limitada se aplica a los productos del Sistema de herramientas inalámbricas marca Oregon®. Durante el período de garantía, Blount reemplazará o, según su decisión, reparará sin cargo toda pieza o producto adquirido por el comprador original y cuyo material o fabricación presenten fallas según el criterio de Blount después de examinarlos. El comprador deberá hacerse responsable de los gastos de transporte y de cualquier gasto por la extracción de cualquier pieza que deba ser reemplazada durante la vigencia de esta garantía.

Para registrar su producto, visite la sección "Support" (Soporte) de **OregonCordless.com**.

Información sobre servicio técnico y soporte

Visítenos en Internet, en **OregonCordless.com**, a fin de obtener información sobre los centros de servicio técnico, o comuníquese con nuestro departamento de servicio al cliente llamando al 1.888.313.8665, a fin de obtener asistencia, asesoramiento técnico adicional, reparaciones o piezas de repuesto.

Por su seguridad, use solo repuestos originales de fábrica en las herramientas eléctricas. Nuestro centro de atención al cliente cuenta con personal capacitado que le brindará un servicio de asistencia y soporte técnico eficiente al momento de ajustar, reparar o cambiar cualquier producto del Sistema de herramientas inalámbricas Oregon®.

Índice

Instruções importantes de segurança	47
Funcionamento geral	47
Operação em inclinações	48
Crianças	48
Serviço	49
Conjunto de baterias e carregamento	49
Armazenamento	50
Transporte	50
Descarte	50
Símbolos e rótulos	51
Identificação do produto	52
Montagem	53
Pacote da bateria e carregador	55
Solução de problemas	56
Dados técnicos	58
Garantia e manutenção	59
Figures	60

Instruções importantes de segurança

PRÁTICAS SEGURAS PARA CORTADORES DE GRAMA OPERADOS POR PEDESTRES

⚠️ AVISO: Quando se usa cortadores de grama sem fio, precauções de segurança básicas devem ser seguidas para reduzir o risco de incêndio, choque elétrico e ferimentos pessoais, incluindo as seguintes:

Esta máquina de corte é capaz de amputar mãos e pés e lançar objetos. A falha em observar as seguintes instruções de segurança poderá resultar em lesões graves ou morte.

Funcionamento geral

Leia, entenda e siga todas as instruções da máquina e no(s) manual(ais) antes de começar.

Evite o arranque involuntário. Certifique-se de que o interruptor esteja na posição OFF antes de inserir o conjunto de bateria em máquinas com um interruptor ligado é um convite a acidentes.

Mantenha mãos e pés afastados da área de corte. Mantenha-se afastado da abertura de descarga em todos os momentos.

Só permita que adultos responsáveis familiarizados com as instruções operem esta máquina. Esta ferramenta não se destina ao uso por pessoas (incluindo crianças) com capacidades físicas, sensoriais ou mentais reduzidas, ou com falta de experiência e conhecimento.

Cuide do cortador de grama com cuidado - Mantenha as lâminas de corte afiadas e limpas para um desempenho melhor e mais seguro.

Siga as instruções para a lubrificação e os acessórios de carregamento.

Mantenha as alavancas secas, limpas e livres de óleo e graxa.

Objetos atingidos pela lâmina do cortador de grama podem provocar lesões graves em pessoas. Limpe a área de objetos como pedras, fios, brinquedos, etc., que podem ser lançados pela lâmina. Fique atrás da alavanca quando o motor estiver rodando.

Se o cortador de grama atingir um objeto estranho, siga estas etapas:

- Pare o cortador de grama. Solte o interruptor.
- Remova o conjunto de bateria.

- Verifique se há danos.
- Repare qualquer dano antes de reiniciar e operar o cortador de grama.

Certifique-se de que a área esteja livre de crianças e de outras pessoas antes de usar o cortador. Pare a máquina se alguém entrar na área. O operador ou usuário é responsável pelos acidentes ou perigos para outras pessoas ou sua propriedade.

Não opere a máquina descalço ou usando sandálias. Sempre use calçados substanciais.

Vista-se apropriadamente - Não use roupas soltas ou jóias. Elas podem ficar presas nas peças em movimento. O uso de luvas e calçados de borracha é recomendado quando se trabalha ao ar livre. Vista calças compridas.

Sempre use óculos de proteção ao operar a máquina.

Use sempre uma máscara de proteção de rosto ou contra poeira se a área de operação estiver empoeirada.

Nunca corte grama puxando o cortador em sua direção. Solte a alavanca do interruptor para desligar a máquina e use extrema cautela ao andar para trás ou puxar a máquina em sua direção. Sempre olhe para baixo e para trás antes e durante a movimentação para trás.

Sempre fique afastado da zona de descarga ao operar a máquina. Nunca lance o material sendo descarregado em direção de alguém. Evite descarregar material contra uma parede ou obstrução. O material pode ricochetear na direção do operador.

Desligue a máquina soltando a alavanca do interruptor ao atravessar cascalho e outras superfícies que não são grama.

Nunca levante ou carregue a máquina enquanto o motor estiver rodando.

Sempre inspecione todas as proteções, blindagens e dispositivos de segurança antes de cada utilização. Não opere a máquina se todos os dispositivos de recolher grama, proteção de descarga, proteção traseira, ou outros dispositivos de proteção, não estiverem no seu lugar e funcionando.

Não incline a máquina ao ligue ou arranque o motor, a não ser se a máquina precisa ser inclinada para ligá-la em grama longa. Neste caso, não incline-a mais do

que o absolutamente necessário, e incline apenas a parte que está longe do operador.

Sempre certifique-se de que as mãos estão na posição de operação antes de retornar a máquina ao solo.

Ligue o motor de acordo com as instruções fornecidas com os pés bem longe das peças rotativas.

Nunca deixe uma máquina em funcionamento sem vigilância.

Pare o motor, espere a lâmina parar completamente e retire a bateria antes de limpar a máquina, remover o recolhedor de grama, ou desobstruir o protetor de descarga.

Opere a máquina somente durante o dia ou com boa iluminação artificial.

Não opere a máquina sob a influência de álcool ou de drogas.

Não use o cortador de grama a bateria na chuva.

Evite ambientes perigosos - Não use cortadores de grama em locais úmidos ou molhados.

Nunca opere o cortador em grama molhada. A grama molhada pode fazer com que o operador escorregue. Sempre certifique-se de que tem uma base firme; ande, nunca corra.

Se a máquina começar a vibrar de forma anormal, pare o motor e verifique a causa imediatamente. A vibração é geralmente uma indicação de problemas.

Use o equipamento certo - Não use um cortador de grama para qualquer outro trabalho a não ser aquele ao que ele se destina.

Não force o cortador de grama - ele fará seu trabalho melhor e com mais segurança na velocidade para a qual foi projetado.

Não se estenda demais - mantenha uma base firme e o equilíbrio em todos os momentos.

Fique alerta - Pense no que você está fazendo. Use o senso comum. Não opere um cortador de grama quando estiver cansado.

Consulte as instruções do fabricante para a operação correta e a instalação de acessórios. Somente os acessórios e os anexos originalmente fornecidos com o cortador de grama são aprovados pelo fabricante.

Sempre guarde o cortador de grama em um local fresco e seco e fora do alcance da luz solar direta.

A longa exposição à luz solar e à radiação UV pode degradar os plásticos com o tempo, potencialmente fazendo com que as proteções falhem.

Operação em inclinações

Inclinações são um importante fator relacionado a acidentes envolvendo escorregões e quedas, o que pode resultar em lesões graves.

A operação em qualquer inclinação requer cuidados adicionais. Se você não se sentir a vontade em uma inclinação, não faça o corte.

Corte a grama perpendicular à face das inclinações; nunca para cima ou para baixo. Tenha extrema cautela ao mudar de direção em inclinações.

Tome cuidado com buracos, sulcos, solavancos, rochas ou outros objetos escondidos. O terreno irregular pode causar um acidente envolvendo um escorregão ou uma queda. A grama longa pode ocultar obstáculos.

Evite cortar em grama molhada ou inclinações muito íngremes (> 15°). Uma base instável pode causar um acidente envolvendo um deslizamento ou uma queda.

Tenha extrema cautela ao mudar de direção, especialmente em inclinações.

Não corte perto de quedas, valas ou taludes. Você pode perder seu equilíbrio.

Crianças

Acidentes trágicos podem ocorrer se o operador não estiver alerta à presença de crianças. Crianças são frequentemente atraídas pela máquina e a atividade de corte. Nunca suponha que uma criança permanecerá lá onde você a viu por último.

Remova a chave de segurança sempre que você deixar ou armazenar a máquina. Armazene em um local seguro e trancado - fora do alcance das crianças.

Mantenha as crianças fora da área de corte e sob os cuidados vigilantes de um adulto responsável que não seja o operador.

Fique alerta e desligue o cortador se uma criança entrar na área.

Nunca deixe crianças operar a máquina.

Tome cuidado adicional ao aproximar-se de esquinas, arbustos, árvores ou outros objetos que podem bloquear a sua visão de uma criança.

Serviço

Sempre retire o conjunto de bateria antes de ajustar, limpar, reparar ou armazenar para evitar a partida acidental. Tais medidas de segurança preventivas reduzem o risco do cortador de grama ligar acidentalmente.

Armazene o cortador de grama desligado em um lugar fechado - Quando não estiver em uso, o cortador de grama deve ser guardado em um lugar seco, fechado e trancado - fora do alcance das crianças

Mantenha as proteções no lugar e em funcionamento. Mantenha as lâminas afiadas.

Use somente lâminas de substituição idênticas. O uso de qualquer outro acessório ou fixação pode aumentar o risco de ferimentos.

Mantenha todos os parafusos e porcas apertados para assegurar que o equipamento esteja em condições seguras de funcionamento.

Não remova ou danifique os dispositivos de segurança. Verifique o seu bom funcionamento regularmente. Nunca faça nada para interferir com a função pretendida de um dispositivo de segurança ou para reduzir a proteção fornecida por um dispositivo de segurança.

Mantenha a máquina livre de grama, folhas ou de outros acúmulos de detrito.

Se você atingir um objeto estranho, pare e inspecione a máquina. Concerte-a antes de dar a partida, se necessário.

Nunca faça qualquer ajuste ou reparação com o motor rodando.

Verifique frequentemente os componentes do recolhedor de grama e a proteção de descarga e substitua com as peças recomendadas pelo fabricante, quando necessário.

Assegure-se que todas as peças de substituição ou de serviço foram aprovadas pelo fabricante.

As lâminas do cortador são afiadas. Embrulhe a lâmina ou use luvas, e tome cuidados adicionais quando for fazer sua manutenção.

Tenha cuidado durante o ajuste da máquina para evitar que os dedos fiquem presos entre a lâmina em movimento e as partes fixas da máquina.

Quando realizar a manutenção das lâminas, esteja ciente de que a lâmina pode se mover mesmo com a fonte de alimentação desligada.

Mantenha ou substitua os rótulos de segurança e de instruções, conforme necessário.

Conjunto de baterias e carregamento

Não carregue o conjunto de bateria na chuva ou em locais úmidos. Mantenha o carregador de bateria longe da chuva ou umidade. A penetração da água no carregador de bateria aumenta o risco de choque elétrico.

Não use o cortador de grama a bateria na chuva.

Remova ou desconecte a bateria antes de realizar a manutenção, limpar ou remover material do cortador de grama.

Use o cortador de grama apenas com os conjuntos de bateria especificamente designados Oregon Série B do tipo B425E, B600E ou B650E. O uso de qualquer outro tipo de bateria pode causar riscos de ferimentos e incêndio.

Recarregue apenas com o carregador especificado pelo fabricante, o Oregon C600, C650 ou C750. Um carregador não adequado para um tipo de bateria pode causar um risco de incêndio quando for usado com outro conjunto de bateria.

Não carregue outras baterias no carregador. O carregador de bateria só é adequado para o carregamento de baterias íons-lítio específicas e aprovadas pelo fabricante e dentro da faixa de tensão listada. Caso contrário há risco de incêndio e explosão.

Antes de cada utilização, verifique o carregador de bateria, o cabo e a tomada. Se algum dano for detectado, não use o carregador de bateria. Nunca abra o carregador de bateria você mesmo. Reparos devem ser realizados somente por um técnico qualificado e usando apenas as peças de substituição originais. Carregadores de bateria, cabos e tomadas danificados aumentam o risco de choque elétrico.

Mantenha o carregador de bateria limpo. A contaminação pode levar ao perigo de choque elétrico.

Limpe as aberturas de ventilação da bateria usando uma escova macia, limpa e seca.

Não descarte a bateria em um fogo. A célula pode explodir. Verifique a regulamentação local para saber das possíveis instruções especiais para descarte.

Não abra nem desfigure a bateria. O eletrólito liberado é corrosivo e pode causar danos aos olhos ou à pele. Ele pode ser tóxico se ingerido.

Tenha cuidado ao manusear as baterias para não causar um curto-circuito da bateria com materiais como anéis, pulseiras e chaves. A bateria ou o condutor podem superaquecer e causar queimaduras.

Quando o conjunto de bateria não estiver em uso, mantenha-o longe de outros objetos metálicos, como cliques de papel, moedas, chaves, pregos, parafusos, ou outros pequenos objetos de metal que possam fazer uma conexão de um terminal com o outro. Fazer o curto circuito dos terminais da bateria pode causar queimaduras ou incêndios.

Sob condições abusivas, líquido pode ser ejetado da bateria; evite o contato. Se o contato ocorrer acidentalmente, lave com água. Se o líquido entrar em contato com os olhos, também procure assistência médica. O líquido ejetado da bateria pode causar irritações ou queimaduras.

No caso de danos e o uso impróprio da bateria, vapores podem ser emitidos. Ventile a área e procure assistência médica em caso de queixas. Os vapores podem irritar o sistema respiratório.

Não use um conjunto de bateria ou um cortador de grama que esteja danificado ou modificado. Baterias danificadas ou modificadas podem apresentar um comportamento imprevisível, resultando em riscos de incêndio, explosão ou de ferimentos.

Não exponha a bateria de um cortador de grama ao fogo ou temperaturas excessivas, tais como a luz solar intensa ou a armazenagem em um veículo quente. A exposição ao fogo ou a temperaturas acima de 130°C podem causar explosões. Armazene a bateria apenas em uma faixa de temperatura entre 0 °C e 40 °C.

Siga todas as instruções de carregamento e não carregue o conjunto de bateria ou cortador de grama fora da faixa de temperatura especificada nas instruções. O carregamento de forma inadequada ou em temperaturas fora da faixa especificada podem danificar a bateria e aumentar o risco de incêndio.

Não opere o carregador de bateria em superfícies ou ambientes facilmente inflamáveis (ex. papel, têxteis, etc.). O aquecimento do carregador de bateria durante o processo de carregamento pode representar um risco de incêndio.

Faça com que a manutenção seja realizada por uma pessoa de concerto qualificada usando apenas peças de substituição idênticas. Isso irá garantir que a segurança do produto seja mantida.

Não tente concertar o cortador de grama ou conjunto de bateria exceto como indicado nas instruções de uso e cuidado.

Armazenamento

Sempre guarde o cortador de grama em um local fresco e seco e fora do alcance da luz solar direta. A longa exposição à luz solar e à raios UV pode degradar os plásticos com o tempo, potencialmente fazendo com que as proteções falhem.

Transporte

As baterias íons-lítio contidas estão sujeitas à exigências da legislação de mercadorias perigosas. O usuário pode fazer o transporte rodoviário das baterias sem requisitos adicionais.

Quando transportadas por terceiros (ex.: transportes aéreos ou agência de expedição), exigências especiais em relação a embalagem e rotulagem devem ser observadas. Durante a preparação do item a ser transportado, a consulta de um especialista em materiais perigosos é necessária.

Somente transporte baterias quando o invólucro não estiver danificado.

Coloque fita ou encubra contatos expostos e embale a bateria de tal forma que ela não possa se mover dentro da embalagem.

Observe também as possíveis regulamentações nacionais mais detalhadas.

Descarte

Não descarte produtos do jardim, carregadores de bateria e baterias/baterias recarregáveis junto com os resíduos domésticos.

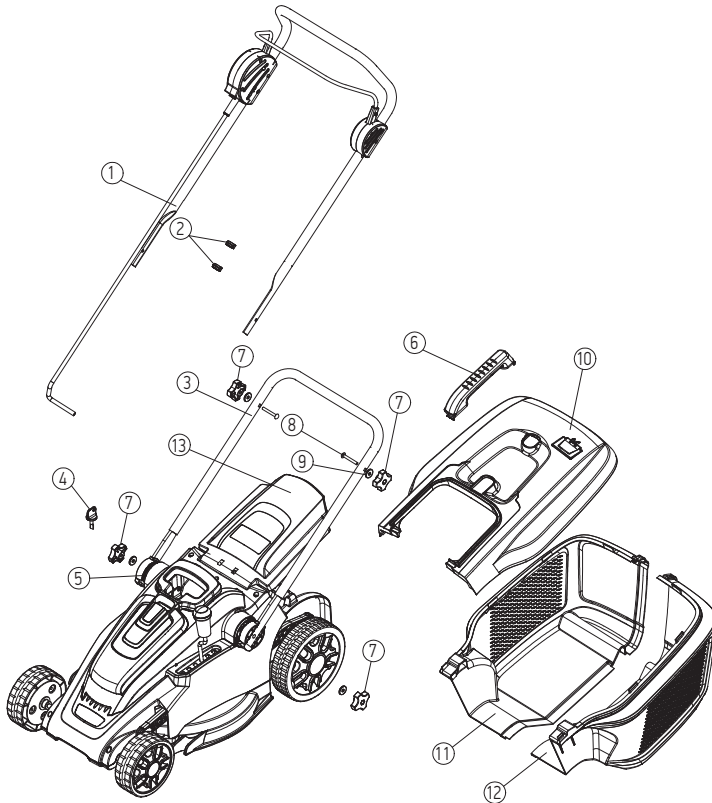
GUARDE ESTAS INSTRUÇÕES

Símbolos e rótulos

Esses símbolos e rótulos aparecem no cortador de grama, na bateria e no carregador.

SYMBOLE	NOM	DESCRIPTION
	Alerta de segurança de perigo geral	O texto a seguir explica um perigo, aviso ou cuidado.
	Leia o manual de instruções	O manual de instruções original contém informações de segurança e funcionamento importantes. Leia e siga as instruções cuidadosamente.
	Mantenha os dispositivos de segurança	Não abra ou remova as blindagens de segurança enquanto o aparelho estiver funcionando.
	Mantenha as pessoas afastadas	Não corte enquanto crianças ou outros estiverem muito próximos.
	Olhe para trás quando der ré	Olhe para baixo e para trás para evitar tropeços ao ir para trás.
	Perigo de inclinação íngreme	Tome cuidados adicionais em inclinações. Não corte em inclinações superiores a 15 graus.
	Remova a chave de segurança	Desligue e remova a chave de segurança antes de ajustar, limpar e antes de deixar o produto sem supervisão durante qualquer período.
	Use proteção para os olhos	Use óculos de proteção quando operar a máquina.
	Use proteção auditiva	Use equipamento de proteção auditiva quando operar a máquina.
	Use proteção para as mãos	Utilize luvas ao operar a máquina ou ao tocar nas lâminas paradas.
	Use calça comprida	Use calça comprida ao operar o cortador de grama.
	Use proteção para as pés	Use calçados de trabalho fechados apropriados ao operar o cortador de grama.
	Não incinere	Não descarte em chamas.
	Não descarte	Não descarte no lixo doméstico. Leve a um reciclador autorizado.
	Não exponha à chuva	Não opere o carregador em condições úmidas.
	Temperatura de funcionamento	Utilize o conjunto de bateria apenas em uma temperatura entre 32°F a 104°F (0°C e 40°C).
	Remova a bateria	Remova a bateria antes de realizar qualquer manutenção.

Identificação do produto



- | | | | |
|---|-----------------------------------|---|---|
| ① | Montagem punho ou alça superior | ⑧ | Parafuso |
| ② | Grampos de cabo | ⑨ | Arruela |
| ③ | Punho ou alça inferior | ⑩ | Cobertura ou tampa do cesto de recolha de relva |
| ④ | Chave de segurança | ⑪ | Cesto de recolha da relva esquerdo |
| ⑤ | Bloco rotativo | ⑫ | Cesto de recolha direito |
| ⑥ | Alça do cesto de recolha de relva | ⑬ | Tampa de descarga |
| ⑦ | Botão | | |

Montagem

Utilização pretendida

O produto de jardinagem destina-se ao corte de grama doméstico.

Montagem (Fig. A - B - C - D)

▲ AVISO: Certifique-se de que a bateria foi removida da máquina.

Fixe os blocos rotativos (5) na alavanca inferior (3) (Fig. A), agora você pode fixar a alavanca inferior (3) e a máquina com as travas (7). Fixe a alavanca superior à estrutura da alavanca inferior (Fig. B) e depois prenda usando as travas (7), parafusos (8) e a arruela (9). Aperte as travas com a mão (7).

Monte a caixa de grama ao conectar os dois lados da caixa (11, 12) garantindo que todas as guias ao longo da borda da conexão (11) estão adequadamente assentadas na borda (12). Você ouvirá um clique audível quando cada guia estiver adequadamente assentada. Assegure-se que toda a costura de conexão entre (11) e (12) esteja corretamente conectada (Fig. C).

Coloque a parte superior da caixa de grama (10) na parte formada de (11) e (12). Assegure-se que todas as guias na borda de (11) e (12) estejam assentadas corretamente e com segurança na estrutura de (10). Você ouvirá um clique audível quando cada guia estiver adequadamente assentado (Fig. C).

Coloque a alavanca da caixa de grama (6) no local adequado no topo da caixa de grama (10). Empurre as guias firmemente na alavanca na caixa de grama, garantindo que a alavanca esteja corretamente assentada. Você ouvirá um clique sonoro audível quando cada guia estiver adequadamente assentada (Fig. C).

Para fixar a caixa de grama à máquina, levante e segure a tampa de descarga com uma mão, e com a outra mão, deslize a caixa de grama na parte traseira da máquina, assegurando que a caixa de grama se assente corretamente na estrutura da máquina. Solte a tampa de descarga movida a mola, permitindo que a tampa feche sobre a abertura entre a caixa de grama e a máquina (Fig. D).

Fixe o cabo à estrutura do guiador corretamente usando as abraçadeiras de cabo fornecidas (2) (Fig. D).

Inserção e remoção da bateria (Fig. E - F - G)

▲ AVISO: Certifique-se que a chave de segurança foi desligada antes de inserir ou remover o conjunto de bateria.

Para inserir o conjunto de bateria, pressione o botão (16) na caixa de bateria da máquina (17) e levante a caixa (17) (Fig. E, F). Insira o conjunto de bateria na caixa de bateria, garantindo que as pequenas guias na caixa se alinhem com as réguas de guia no conjunto de bateria. Empurre o conjunto de bateria firmemente no seu lugar até ouvir um clique audível. Feche a cobertura da bateria. Você ouvirá um clique audível quando a tampa estiver fechada corretamente (Fig. G).

Para remover o conjunto de bateria, abra a caixa de bateria. Levante o pequeno botão abaixo da parte frontal do conjunto de bateria para soltar o conjunto de bateria. O botão movido a mola vai soltar o conjunto de bateria, permitindo que você puxe o conjunto de bateria para fora da máquina. Feche a tampa para evitar danos acidentais à máquina.

Ajustar a altura de Corte (Fig. H)

O seu cortador de grama está equipado com um sistema de regulação de altura central, oferecendo 6 configurações de altura. As configurações são aproximadamente 1" (25 mm), 1 3/8" (35 mm), 1 3/4" (45 mm), 2 1/8" (55 mm), 2 1/2" (65 mm), e 3" (75 mm). A altura de corte real poderá variar ligeiramente.

Para ajustar a altura de corte da máquina, posicione a alavanca (Fig. H) na posição de altura desejada. Os números indicados no corpo da máquina (25, 35, 45, 55, 65, 75) indicam o valor aproximado da altura de corte da máquina naquela posição. Quanto menor o número, quanto mais baixo o corte da grama.

Sempre realize um pequeno teste cortando a grama em configurações mais altas e ajuste para baixo para determinar a altura de corte desejada.

Usar a chave de segurança (Fig. I)

A chave de segurança é um dispositivo de segurança importante na máquina. O motor e as lâminas da máquina só podem ser iniciados quando a chave de segurança estiver inserida e virada na posição ON. Só insira a chave de segurança quando você pretende iniciar a máquina e girar as lâminas.

Para inserir a chave de segurança, empurre a chave de segurança no soquete, alinhando a guia pequena na chave com o abertura no soquete **(Fig. I)**.

Para colocar a máquina na posição "ON", gire a chave no sentido horário de modo que a pequena seta indicadora na chave aponte para o "I".

Para colocar a máquina na posição "OFF", e para remover a chave, gire a chave no sentido anti-horário de modo que a pequena seta indicadora na chave aponte para o "O". Agora você pode remover a chave.

O motor só pode ser ligado quando a chave de segurança estiver encaixada.

Substituir ou afiar a lâmina de corte (Fig. L)

⚠ AVISO: Sempre remova a bateria e a chave de segurança ao executar qualquer manutenção.

A lâmina de corte foi projetada para ser um item de substituição e pode precisar de afiação de vez em quando. Afie quando cega. Substitua quando danificada. Entre em contato com o revendedor ou o fabricante para obter instruções corretas.

Operação (Fig. J)

Primeiro, certifique-se que você está na área de corte correta. Assegure-se que a área de corte esteja livre de pessoas e objetos estranhos. Inspeccione a máquina para qualquer possível dano ou condições inseguras.

Certifique-se de que a altura de corte da máquina esteja na sua altura desejada.

Certifique-se de que a chave de segurança esteja na posição "ON" **(Fig. I)**.

Aperte e mantenha sob pressão o botão de segurança **(20)**, aperte a alavanca do interruptor **(19)** em direção ao guia **(Fig. J)**.

Quando a unidade ligar, solte o botão de segurança **(20)**. Mantenha pressionada a alavanca do interruptor com duas mãos durante a utilização.

Soltar a alavanca do interruptor desligará a alimentação da unidade. As lâminas podem continuar a girar por um período de tempo após a alimentação ser desligada.

Parar a máquina

Soltar a alavanca do interruptor **(19)** **(Fig. J)**. Soltar a alavanca do interruptor desligará a alimentação da unidade. As lâminas podem continuar a girar por um período de tempo após a alimentação ser desligada.

Pacote da bateria e carregador

INDICADOR DE NÍVEL DE CARGA DO PACOTE DE BATERIA LED

A bateria de íões de lítio está equipada com um indicador de nível de carga LED. Para testar o nível de carga da bateria, pressione o botão indicador na parte frontal do pacote da bateria.

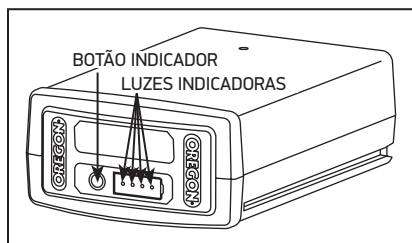
Sem luzes: volte a carregar.

Uma luz verde constante:
menos de 25% de carga.
Carregar o pacote de bateria antes de usar.

Duas luzes verdes constantes:
26–50% de carga.

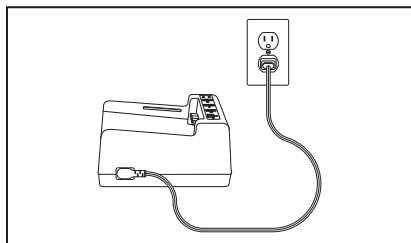
Três luzes verdes constantes:
51–75% de carga.

Quatro luzes verdes constantes:
76–100% de carga.



CONECTAR O CARREGADOR

Se o carregador incluir um cabo de alimentação separado, conecte o cabo do carregador ao carregador e a uma tomada elétrica apropriada.



Utilize apenas o cabo de alimentação que foi fornecido com o carregador. Na primeira utilização, verifique se o tipo de vela corresponde ao receptáculo.

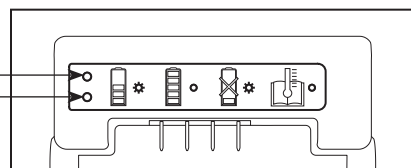
INDICADOR DO ESTADO DE CARGA DO CARREGADOR LED

O carregador de bateria está equipado com um indicador de carga de estado LED que indica o estado de carregamento, bem como condições que podem atrasar ou impedir o carregamento.

Nota: Até que a bateria está inserida, nenhuma luz será visível.

Luz laranja intermitente: existe uma condição de falha. Existem várias causas possíveis. Consulte "Solução de problemas" neste manual.

Luz laranja constante: temperatura da bateria está fora do intervalo aceitável (0°C/32°F a 40°C/104°F) Permitir que a bateria alcance o intervalo ou faixa de temperatura aceitável antes de carregar. O pacote pode ser deixado no carregador à medida que a temperatura se vai ajustando. O carregamento terá início quando a temperatura adequada tiver sido atingida.



Luz verde intermitente: a bateria está a ser carregada.

Luz verde estável: a bateria está pronta para uso.

CARGA DAS BATERIAS

⚠️ ADVERTÊNCIA: A falha em seguir os procedimentos de carregamento adequados pode provocar tensão excessiva, fluxo de corrente excessivo, perda de controle durante a carga, vazamento de produtos químicos perigosos, geração de calor, queimaduras ou incêndio. Siga estas instruções para carga.

Com o cabo do carregador conectado ao carregador e a uma tomada elétrica, alinhe as ranhuras da bateria com os trilhos no carregador e deslize a bateria no carregador até que esteja completamente encaixada.

Para obter mais informações, consulte os nossos manuais da bateria e carregador

Solução de problemas

Use esta tabela para ver possíveis soluções para problemas com o cortador de grama. Caso essas sugestões não solucionem o problema, consulte "Garantia e manutenção".

Problema	Causa possível	Ação Corretiva
O funcionamento da ferramenta está a falhar	Possível entupimento	Remova a chave do isolador: Confira a parte inferior do produto de jardim e limpe conforme necessário (use sempre luvas de jardinagem)
	A bateria não está totalmente carregada	A bateria está a carregar
	A bateria não foi inserida (corretamente)	Inserir a bateria
	Relva muita alta	Aumente a altura de corte e inclinação do produto de jardinagem para reduzir a carga inicial
	Protetor do motor foi ativado	Permitir que o motor esfriar e aumentar a altura de corte
	Bateria muito quente/fria	Deixe arrefecer/aquecer
	A chave do isolador não foi inserida corretamente/completamente	Colocar corretamente
Motor inicia e pára imediatamente	Há um pequeno atraso no arranque do motor após a ativação do interruptor	Ligar/Desligar Interruptor Manter/Desligar durante 1 - 3 segundos para arrancar motor
	A bateria não está totalmente carregada	A bateria está a carregar
	A chave do isolador não foi inserida corretamente/completamente	Colocar corretamente
	A bateria não foi inserida (corretamente)	Inserir a bateria
Ferramenta funciona de forma intermitente	Bateria muito quente/fria	Permitir que o motor arrefeça aumente a altura de corte
	Cabos internos do produto de jardinagem estão danificados	Entre em contacto com o Agente de Serviço
	Protetor do motor foi ativado	Permitir que o motor esfriar e aumentar a altura de corte

Problema	Causa possível	Ação Corretiva
Produto de jardinagem deixa um acabamento irregular e/ou trabalhos de motor irregulares	Altura de corte muito baixa	Aumente a altura de corte
	Lâmina de corte contusa	Substitua a lâmina
	Possível entupimento	Confira a parte inferior do produto de jardim e limpe conforme necessário (use sempre luvas de jardinagem)
	Lâmina encaixada ao contrário, de cabeça para baixo	Voltar a encaixar a lâmina corretamente
Área de corte (duração da bateria) não é bastante grande	Altura de corte muito baixa	Aumentar altura de corte e andar mais devagar
	Relva demasiado alta	Aumentar altura de corte e andar mais devagar
	Relva molhada ou húmida	Aguarde até a relva estar seca e ande mais devagar
	A relva é densa	Aumente a altura de corte, ande mais devagar e corte com mais frequência
A lâmina de corte não está a girar quando o produto de jardinagem está ligado	Lâmina de corte obstruída	Desligue produto de jardinagem Limpe a obstrução (use sempre luvas de jardinagem)
	Porca da lâmina/parafuso solto	Aperte porca da lâmina/parafuso (15 Nm)
Vibrações excessivas/ ruído excessivo	Porca da lâmina/parafuso solto	Aperte porca da lâmina/parafuso (15 Nm)
Nenhum procedimento de carregamento possível	Os contactos da bateria estão contaminados	Limpe os contactos da bateria (por exemplo, inserindo e removendo a bateria várias vezes) ou substitua a bateria
	A bateria tem um defeito, devido a uma desconexão na mesma	Substitua a bateria
Os LEDs de controlo de carga e respectivamente, não acendem depois de inserir a ficha na tomada	A ficha do carregador de bateria não está ligada (corretamente)	Insira a ficha (totalmente) na tomada da fonte de alimentação
	Tomada, cabo da rede ou carregador de bateria defeituosos	Verifique a tensão da rede e, se necessário, mande verificar o carregador da bateria num centro de serviço ao cliente autorizado para ferramentas elétricas

Dados técnicos

BATERIA RECARREGÁVEL DO CORTA RELVA	LM300
Largura da lâmina	40 cm
Altura de corte mm	25 mm - 75 mm
Cesto da relva, capacidade	50 L
Peso com bateria	16,3 kg
Número de série	Ver tipo de placa no produto de jardinagem
BATERIA	LÍTIO-IÃO
Tensão nominal	36V
Capacidade	2,4 Ah-4,0 Ah
Período de carga (bateria descarregada)	120 min
Número de células de bateria	20
Área de corte por carga de Bateria	400-500 m ²
Nível de potência sonora	93
Nível de pressão sonora	73
Mão/ braço vibração avhw	< 2,5 m/s ² k = 1,5 m/s ²

Garantia e manutenção

Garantia

Blount, Inc. garante todas as ferramentas sem fio e carregadores da Oregon® registradas por um período de três (3) anos e todas as baterias Oregon® registradas por dois (2) anos a partir da data original da compra. As ferramentas sem fio, baterias e carregadores da Oregon® são garantidos por dois (2) anos, se usados com finalidade comercial. Essa garantia limitada se aplica aos produtos do sistema de ferramentas sem fio da Oregon®. Durante o período de garantia, a Blount substituirá ou, a seu critério, consertará gratuitamente, somente para o comprador original, qualquer produto ou peça fabricada que for considerada, segundo avaliação da Blount, defeituosa quanto ao material e/ou mão de obra. O comprador será responsável por todos os encargos de transporte e qualquer custo de remoção de qualquer peça enviada para substituição nos termos desta garantia.

Para registrar seu produto, visite a seção “suporte” da **OregonCordless.com**.

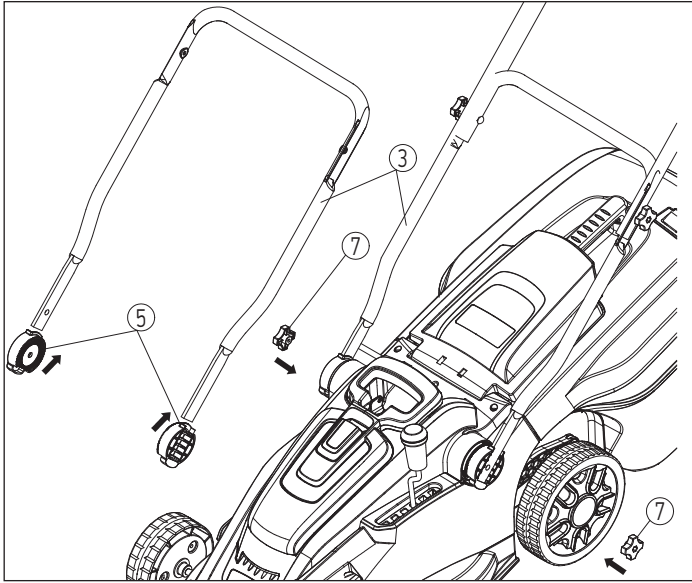
Informações de manutenção e suporte

Acesse **OregonCordless.com** para obter informações sobre a central de serviços ou entre em contato com nosso departamento de atendimento ao cliente pelo telefone 888.313.8665 para obter ajuda, conselho técnico adicional, reparo, peças de reposição ou registrar o produto.

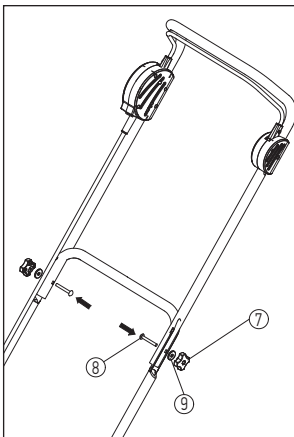
Por questões de segurança, use somente peças sobressalentes originais de fábrica no soprador. Nossa central de atendimento conta com uma equipe treinada para fornecer, com eficiência, suporte e assistência adicionais com ajustes, reparo ou substituição de todos os produtos do sistema de ferramentas sem fio da Oregon®.

Figures

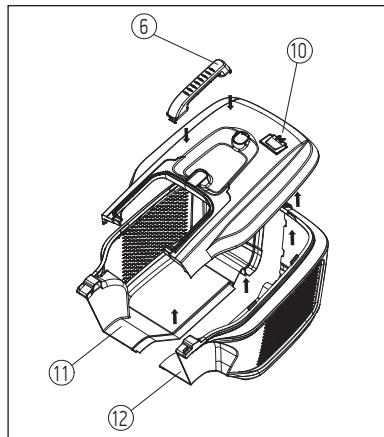
A



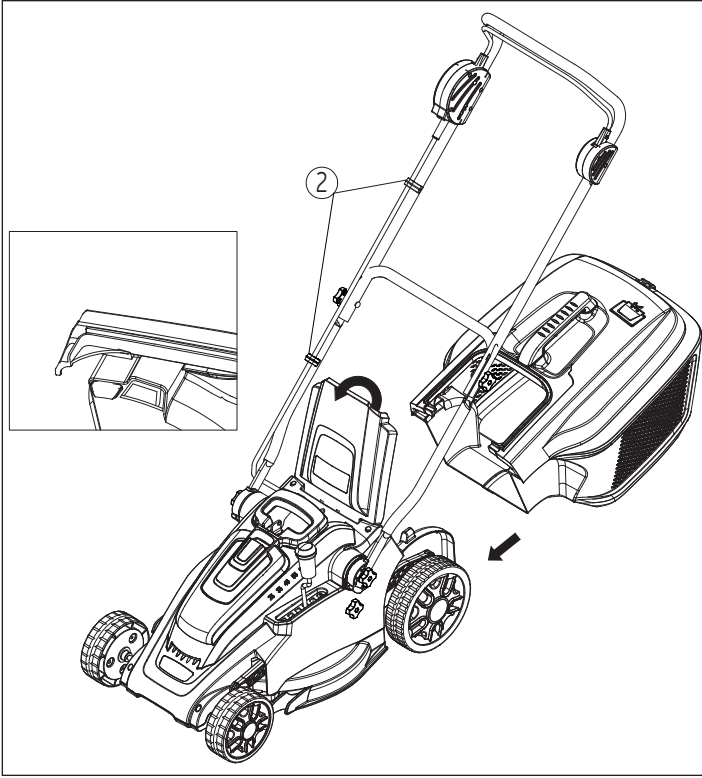
B



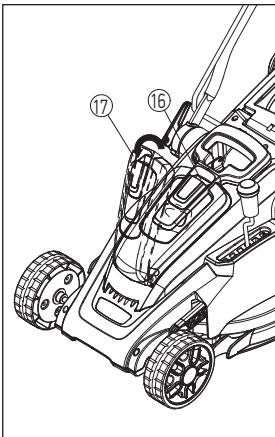
C



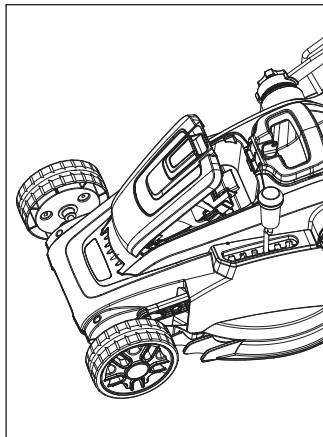
D



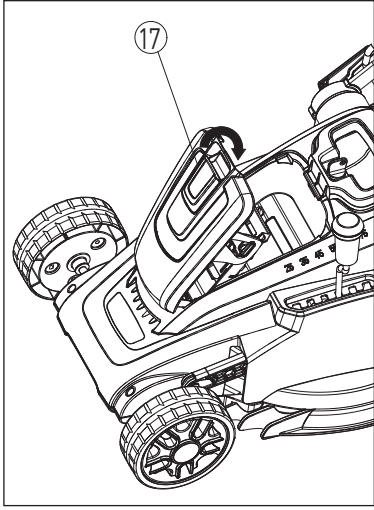
E



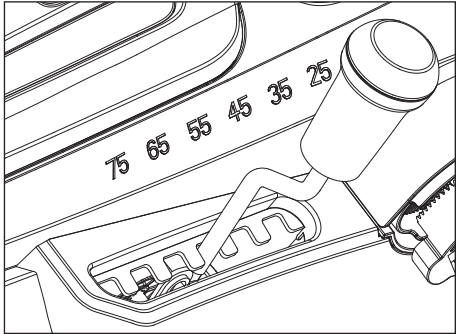
F



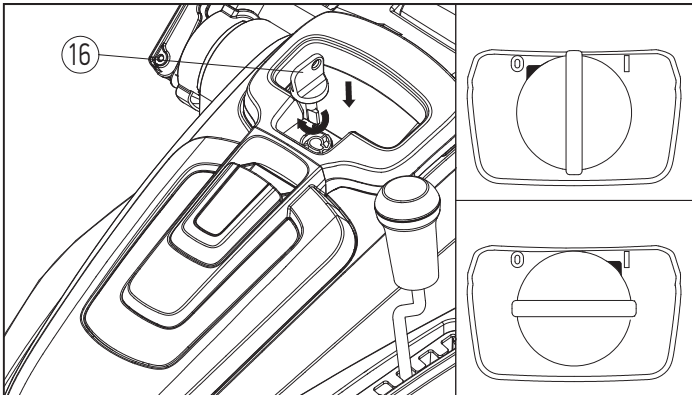
G



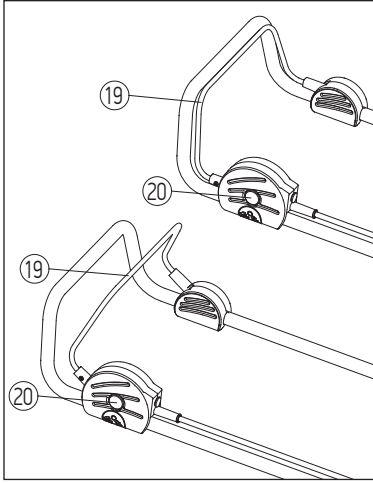
H



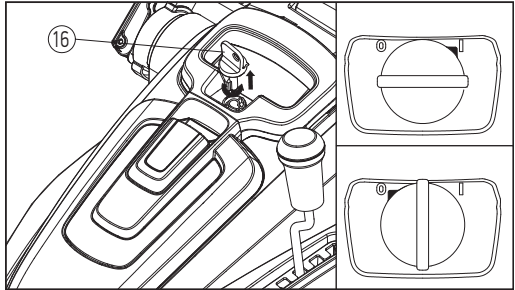
I



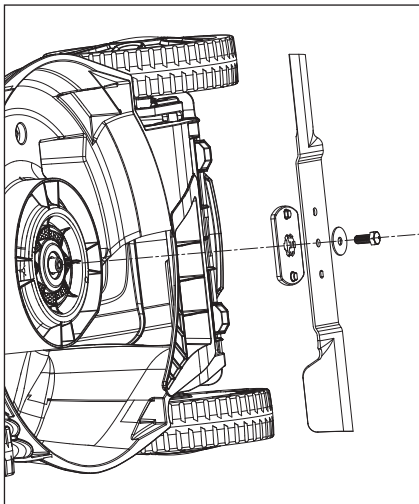
J



K



L





OregonProducts.com

Blount International, Inc.
4909 SE International Way
Portland, OR 97222-4679 USA