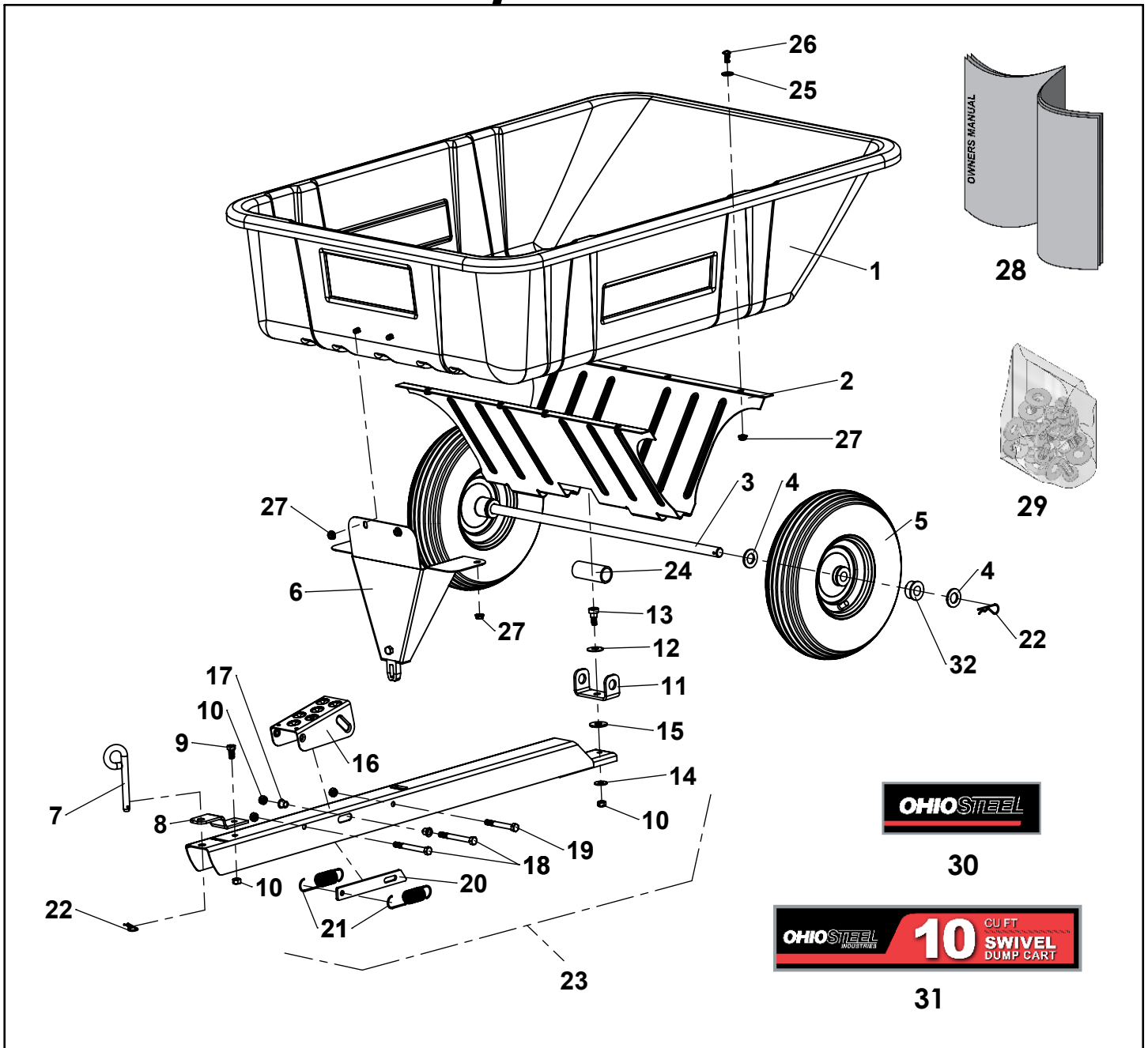


Repair Parts



| ITEM | PART NO | DESCRIPTION | QTY | ITEM | PART NO | DESCRIPTION | QTY |
|------|---------|----------------------------|-----|------|---------|--|-----|
| 1 | 6000685 | BODY, POLY, 10 CU FT | 1 | 17 | 6000324 | BUSHING | 2 |
| 2 | 6000681 | UNDERCARRIAGE | 1 | 18 | 6000370 | HEX BOLT, 3/8-16 X 3-1/2" | 2 |
| 3 | 300008 | AXLE | 1 | 19 | 300055 | HEX BOLT, 3/8-16 X 3" | 1 |
| 4 | 3000721 | WASHER, 3/4" SAE | 4 | 20 | 6000309 | LATCH | 1 |
| 5 | 6000182 | WHEEL (includes bushings) | 2 | 21 | 6000325 | SPRING, LATCH | 2 |
| 6 | 6000668 | FRONT SUPPORT | 1 | 22 | 300084 | HAIRPIN COTTER | 3 |
| 7 | 6000533 | PIN, HITCH | 1 | 23 | 6000665 | DRAWBAR ASSEMBLY (incl 7-21) | 1 |
| 8 | 401121 | BRACKET, HITCH | 1 | 24 | 6000463 | SPACER | 1 |
| 9 | 300052 | HEX BOLT, 3/8-16 X 3/4" | 2 | 25 | 3000711 | WASHER, 5/16" USS | 12 |
| 10 | 300061 | HEX NUT, 3/8-16 C-LOCK | 6 | 26 | 300054 | SLOTTED TRUSS BOLT, 5/16-18 X 3/4" | 12 |
| 11 | 6000548 | CLEVIS, SWVEL | 1 | 27 | 6000418 | SPINNER GRIP NUT, 5/16-18 | 12 |
| 12 | 6000368 | WASHER, SPRING | 1 | 28 | 6000702 | OWNERS MANUAL | 1 |
| 13 | 6000369 | SHOULDER BOLT, 1/2" X 3/8" | 1 | 29 | 6000672 | HARDWARE, BOLT BAG | 1 |
| 14 | 3000720 | WASHER, 3/8" USS | 1 | 30 | 6000700 | DECAL, OSI | 1 |
| 15 | 300075 | WASHER, 1/2" USS | 1 | 31 | 6000701 | DECAL, 3040P-SD | 2 |
| 16 | 6000305 | FOOT PEDAL | 1 | 32 | 6000812 | KIT, 3/4" POLY WHEEL BUSHINGS (SET OF 4) | 1 |