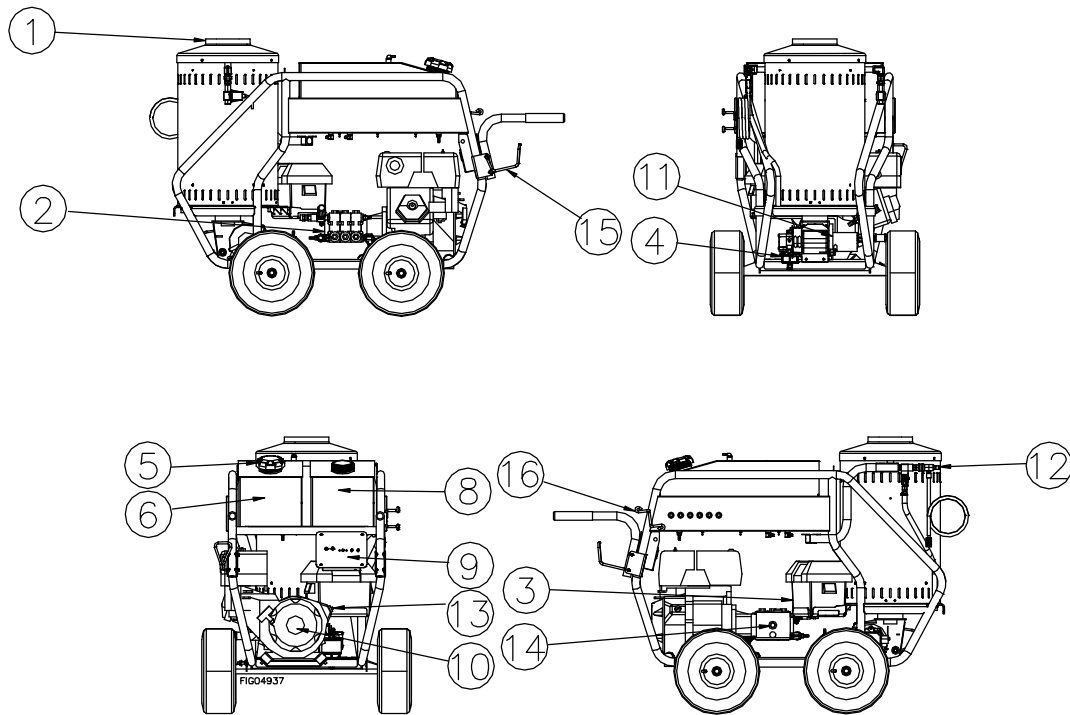


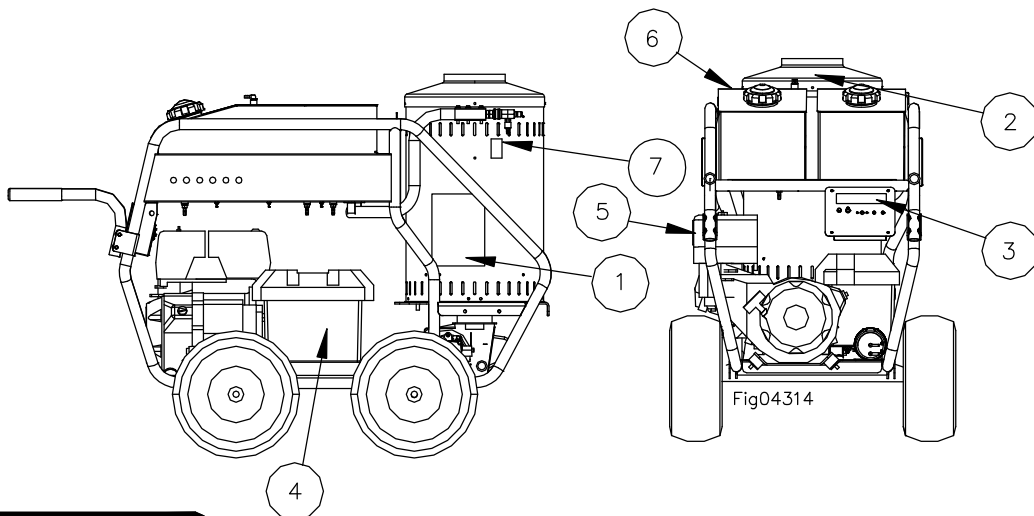
Component Identification



Ref #	Description	Ref #	Description
1	Exhaust Vent	9	Control Panel
2	Pump	10	Engine
3	Battery Box	11	Burner
4	Fuel Filter/Water Separator	12	High Pressure Water Outlet
5	Gas Cap	13	Engine on/off key switch
6	Gas Tank	14	Pump Oil Sight Glass
7	Fuel Cap	15	Hose Hook
8	Fuel Tank	16	Gun Hook

REFERENCE GUIDE	
1. Exhaust Vent	Provides an out for burner exhaust gases.
2. Pump	A device that moves fluid through a combination of suction and displacement.
3. Battery Box	Storage place to house the battery.
4. Fuel Filter / Water Separator	Filter in fuel line that removes water and screens out dirt and debris from fuel.
5. Gas Cap	Cover for gas tank.
6. Gas Tank	Gas storage container.
7. Fuel Cap	Cover for fuel tank.
8. Fuel Tank	Fuel storage container.
9. Control Panel	Flat surface for mounting switches.
10. Engine	The air-cooled engine powers the pump.
11. Burner	A device used to efficiently convert fuel oil or gas into heat energy.
12. High Pressure Outlet	A passage for water to exit pump/heat exchanger and enter the hose.
13. Engine on /off key switch	The engine key is located on the engine. Always locate this switch and be familiar with its location before operating the pressure washer.

Safety Labeling



1.) **⚠ DANGER**
FOR OUTDOOR USE ONLY! Using this pressure washer indoors **CAN KILL YOU IN MINUTES!**
 Engine exhaust and burner exhaust contain carbon monoxide. This is a poison you cannot see or smell.

NEVER use inside any building, structure or garage, EVEN if doors and windows are open. Only use OUTSIDE and far away from windows, doors, and vents.

⚠ WARNING
High Pressure Fluid Forces / Burn Hazards
 High pressure spray can cause laceration injury, eye injury, and loss of balance. Hot discharge fluid and hot surfaces can burn.
 • NEVER direct discharge stream at or near any person. Do not allow any part of the body to come in contact with the fluid stream.
 • Gun locks back - hold with two hands. Keep good footing and balance at all times.
 • Surfaces of engine, burner, and wand can become very hot. Use only designated gripping area of wand. Avoid contact with hot engine and burner.

Fire / Explosion Hazard
 Spraying flammable cans cause explosion. Fuel is flammable and explosive. Exhaust can ignite combustible materials.
 • NEVER spray flammable liquids. Operate only where open flame or torch is permitted.
 • NEVER spray flammable liquids. Operate only where open flame or torch is permitted.
 • Ensure there are no fuel leaks before starting. Keep sources of sparks and flames away.
 • Use approved container only for transferring fuel. Clean up fuel spills immediately.
 • Keep engine and burner exhaust at least 7 feet from all combustible objects. Situate on heat-resistant flooring when using burner.

Chemical Exposure Hazard
 • Understand all safety hazards and first aid measures for chemicals being used.
 • Follow chemical manufacturer's directions when handling and cleaning with chemicals. Wear safety gear as directed.

Electric Shock Hazard
 Keep spray away from electrical wiring, or electric shock / electrocution could occur.

CAUTION: To Reduce Risk of Injury, Read Operating Instructions Carefully Before Using.

3.) **IMPORTANT!**
 TURN HEAT SWITCH TO OFF POSITION WHEN NOT IN USE.

4.) **⚠ WARNING - BATTERY HAZARDS**

BATTERIES:
 1) contain caustic acid, 2) emit explosive gases, 3) can cause electric shock

- ALWAYS use eye protection. Caustic acid and explosive gases can cause blindness or severe burns.
- NO smoking, sparks, or flames.
- NEVER touch both battery terminals at the same time with your hand or any non-insulated tools.
- FLUSH immediately with water if battery acid contacts eyes, skin, or clothing.
- CONNECT cables in correct sequence: FIRST RED to POSITIVE terminal, then BLACK to NEGATIVE terminal. When disconnecting, DISCONNECT BLACK cable first, then RED.
- NEVER charge a visibly damaged or frozen battery. ALWAYS read and follow charger instructions.

6.) **⚠ WARNING**
Fire & Overheating Hazard
 DO NOT overfill fuel tank.

Fill fuel only to bottom of fill neck. Expansion of fuel from heat of sun or normal operation may cause tank spillage if overfilled. Wipe up fuel spills and allow to dry before starting engine.

7.) **⚠ WARNING**
IF RUPTURE DISK ACTIVATES AND RELEASES WATER:

- Turn heat switch OFF
- Turn power switch OFF
- Turn water supply OFF
- Pull spray gun trigger to release pressure
- Unplug pressure washer, or remove the spark plug wire

Do not use pressure washer until Product Support arranges for repair or replacement. Failure to turn off immediately could result in serious injury.
 Call 1-800-270-0810

2.) **CAUTION HOT!**

5.) **⚠ WARNING**
BURN HAZARD
 Do not touch hot muffler.

Always make sure safety labels are in place and in good condition. If a safety label is missing or not legible, order new labels or unsafe operation could result. To order replacement safety labels, call Northstar Product Support at 1-800-270-0810.

Ref#	On-Product Warning Labels	
	Part #'s	Description
1	782325	Danger & Warning
2	305410	Caution Hot
3	778464	Control panel
4	782397	Battery Hazard
5	786635	Burn Hazard
6	786837	Fuel Fill Warning
7	798057	Rupture Disk Warning
	32821	TFG Lanyard