

Job Name:	
System Reference:	Date:



Indoor Unit: MSZ-EF15NAS-U1



Wireless Remote Controller

### SPECIFICATIONS:

Rated Capacity*		
Cooling*1	Btu/h / W	14,000
Heating at 47° F*2	Btu/h / W	18,000

Rating Conditions per AHRI Standard:  
 \*1 Cooling | Indoor: 80° F(27° C)DB / 67° F(19° C)WB ; Outdoor: 95° F(35° C)DB / 75° F(24° C)WB  
 \*2 Heating at 47°F | Indoor: 70° F (21° C)DB / 60° F (16° C)WB ; Outdoor: 47° F (8° C)DB / 43° F (6° C)WB

For data on specific indoor units (all ducted, all non-ducted, and both ducted and non-ducted) combinations, see the MXZ Technical and Service Manual.

Electrical Power Requirements		208 / 230V, 1-Phase, 60 Hz	
Minimum Circuit Ampacity (MCA)		A	1
Blower Motor (ECM)		F.L.A.	0.67
Blower Motor Output		W	30
Moisture Removal		pt./h	3.6
Field Drainpipe Size O.D.		In.(mm)	5/8 (15)
Airflow Rate (Lo - Med - Hi - Super Hi - Powerful)			
Cooling	DRY	CFM	205-233-272-314-364
	WET		176-200-234-270-313
Heating	DRY		194-222-275-350-448
Sound Pressure Level (Lo - Med - Hi - Super Hi - Powerful)			
Cooling	dB(A)	28-31-35-39-42	
Heating		28-30-35-41-48	
Unit Dimensions (H x W x D)		In.(mm)	11-3/4 x 34-13/16 x 7-11/16 (298 x 884 x 195)
Package Dimensions (H x W x D)		In.(mm)	14-1/4 x 38-3/4 x 10-3/4 (362 x 984 x 273)
Unit Weight		Lbs.(kg)	26 (11)
Package Weight		Lbs.(kg)	29 (13)
External Finish		Munsell 3.1PB 8.2/0.2	
Refrigerant Piping (Flared)			
Liquid (High Pressure)		In.(mm)	1/4 (6.35)
Gas (Low Pressure)			3/8 (9.52)

### ACCESSORIES:

#### Indoor Unit

- Condensate Pump (BlueDiamond X87-711/721; 115/230V)
- Condensate Pump (Sauermann SI30-115/230; 115/230V)
- Anti-allergy Enzyme Filter (MAC-2320FT-E)

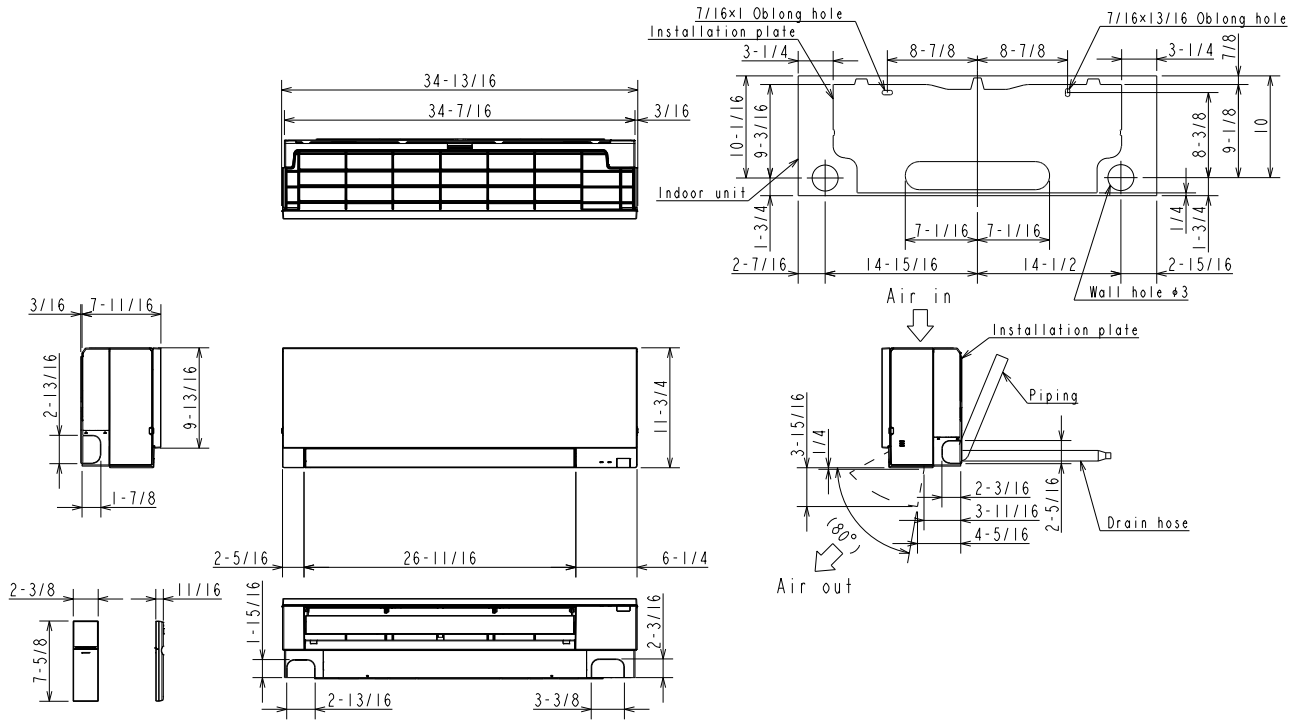
#### Controls

- Wireless Controller (MHK1)
- Wired Remote Controller PAR-32MAA-J (Requires MAC-333IF-E)
- Wireless Interface for kumo cloud™ (PAC-WHS01WF-E)
- Thermostat Interface (PAC-US444CN-1)

# DIMENSIONS: MSZ-EF15NAS-U1

## MSZ-EF15NAS-U1

Unit: inch



## MSZ-EF15/18NA

Piping	Insulation	φ1-7/16 O.D
	Liquid line	φ1/4 - 19-11/16 (Flared connection φ1/4)
	Gas line	φ3/8 - 16-15/16 (Flared connection φ1/2)
	Drain hose	Insulation φ1-1/8 Connected part φ5/8 O.D active length 15-3/8

Note: Extension pipe size refer to the specifications table.



COOLING & HEATING

1340 Satellite Boulevard, Suwanee, GA 30024  
Toll Free: 800-433-4822 www.mehvac.com

