

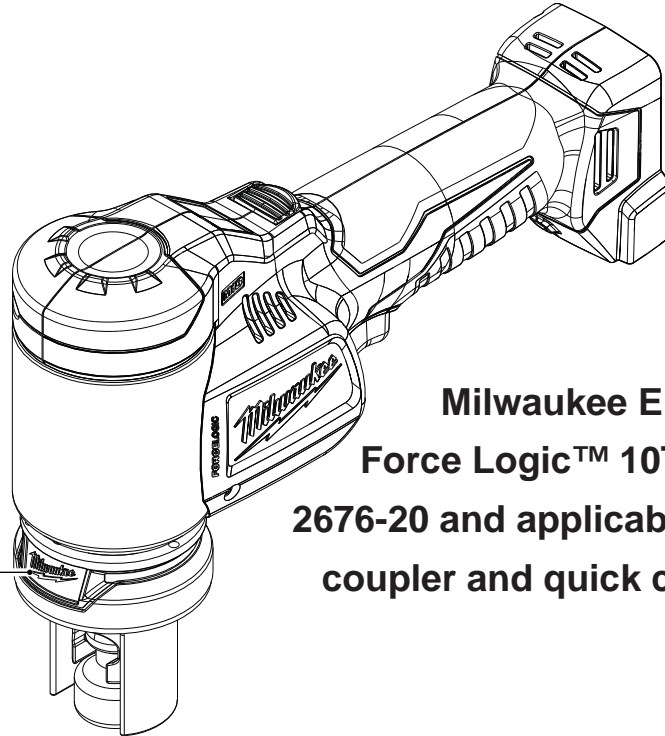


SERVICE PARTS LIST

BULLETIN NO.
54-00-CCKT

SPECIFY CATALOG NO. AND SERIAL NO. WHEN ORDERING PARTS		REVISED BULLETIN	DATE
Cordless M18™ ForceLogic™ Knockout Tool			June 2014
CAT. NO.	2676-20	SERIAL NUMBER	F75A
WIRING INSTRUCTION			

See page two for available accessories and applicable die sets, ball pull, coupler & quick connect anvil assy.



No. 2676-20
M18™ ForceLogic™ Knockout Tool
Shown with optional quick connect anvil assembly, ball pull and coupler
(See page two)

**Milwaukee Electric Tool:
Force Logic™ 10T Knockout Tool
2676-20 and applicable die sets, ball pull,
coupler and quick connect anvil assy.**

Due to the combination of hydraulics and electronics in this tool, service can only be performed at this Milwaukee factory Repair Center:

**MILWAUKEE ELECTRIC TOOL Central Repair
1013 Sycamore Avenue • Greenwood, MS 38930-7277**

Please send your tool directly to this location for service.

Or

Via e-Service at: www.milwaukeetool.com/e-service
questions, please call 1.800.SAWDUST (1.800.729.3878)

Or

Return it to a MILWAUKEE *factory* Service Center location, freight prepaid and insured.

A copy of the proof of purchase should be included with the return product.

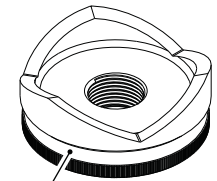
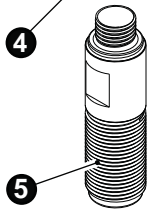
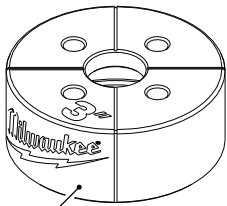
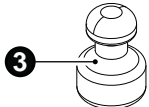
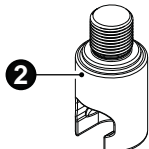
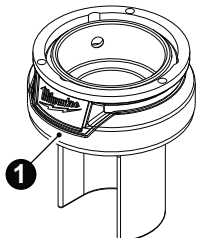
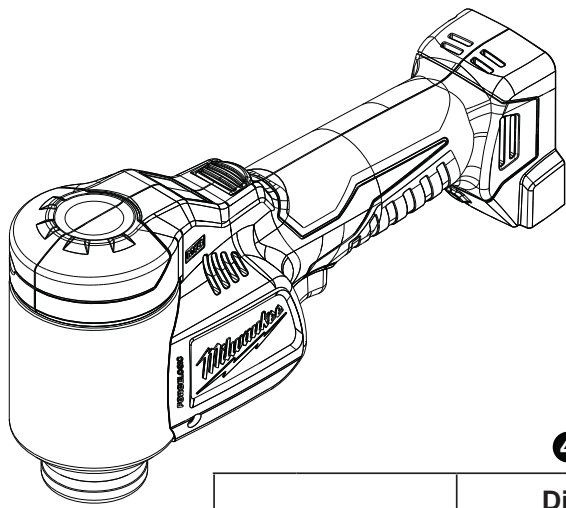
If you have questions please contact Milwaukee Product Service at:

Product Technical Support via phone at: 262.783.8642

Or

Via email at: [METProductSupport @milwaukeetool.com](mailto:METProductSupport@milwaukeetool.com)

Disassembly is not recommended and could void the warranty.



Conduit Size	Nominal Hole Size	Dies		Punches		Draw Studs			Capacity	
		Part Number	Description	Part Number	Description	7/16" 1/2" (13 mm) Pilot Hole	3/4" 7/8" (22 mm) Pilot Hole	1-1/8" 1-1/4" (32 mm) Pilot Hole	Stainless Steel	Mild Steel
1/2"	0.885" (22.5 mm)	49-16-2660S	SS 1/2" die	49-16-2661S	SS 1/2" punch	49-16-2680	--	--	12 ga	10 ga
3/4"	1.115" (28.3 mm)	49-16-2662	3/4" die	49-16-2663	3/4" punch	--	49-16-2681	--		
1"	1.362" (34.6 mm)	49-16-2664	1" die	49-16-2665	1" punch	--	49-16-2681	--		
1-1/4"	1.701" (43.2 mm)	49-16-2666	1-1/4" die	49-16-2667	1-1/4" punch	--	49-16-2681	--		
1-1/2"	1.951" (49.6 mm)	49-16-2668	1-1/2" die	49-16-2669	1-1/2" punch	--	49-16-2681	--		
2"	2.416" (61.4 mm)	49-16-2670	2" die	49-16-2671	2" punch	--	49-16-2681	--		
2-1/2"	2.914" (74.0 mm)	49-16-2672	2-1/2" die	49-16-2673	2-1/2" punch	--	--	49-16-2682		
3"	3.539" (89.9 mm)	49-16-2674	3" die	49-16-2675	3" punch	--	--	49-16-2682		
3-1/2"	4.044" (102.7 mm)	49-16-2676	3-1/2" die	49-16-2677	3-1/2" punch	--	--	49-16-2682		
4"	4.544" (115.4 mm)	49-16-2678	4" die	49-16-2679	4" punch	--	--	49-16-2682		

1 No. 42-86-0050
Quick Connect
Anvil Assembly

2 No. 42-90-0020
Coupler

3 No. 42-90-0010
Ball Pull

No. 42-55-2676
Blow Molded Case (not shown)

No. 12-20-2637
Service Nameplate (not shown)

No. 10-20-1047
Warning Label (not shown)

No. 49-16-2685
Adaptor For Milwaukee power unit to
competitor dies and punches (not shown)

No. 49-16-2684
EXACT™ Adaptor For competitor power units
to EXACT™ 2-1/2" to 4" dies (3/4" studs)
(not shown)