



Chore Master®

PARTS LIST FOR
CM-3200-OMMB
(AFTER SERIAL #10845374)

Displacement:	212 cc
Pump Oil Grade:	Mi-T-M Pump Oil AW-4085-0016
Pump Oil Capacity:	16 oz.
Nozzle Size:	# 3.0

This Parts Listing has been compiled for your benefit. You can be assured your cold water pressure washer was constructed and designed with quality and performance in mind. Each component has been rigorously tested to insure the highest level of quality.

The contents of this Parts Listing are based on the latest product information available at the time of publication. Mi-T-M reserves the right to make changes in price, color, materials, equipment, specifications or models at any time without notice.

WARNING

THIS IS A PROFESSIONAL HIGH PRESSURE, COLD WATER PRESSURE WASHER. CAUTION SHOULD BE OBSERVED WHEN USING OR REPAIRING THIS UNIT! READ AND FOLLOW THE SAFETY WARNINGS LISTED BELOW BEFORE ATTEMPTING ANY REPAIRS ON THIS PRESSURE WASHER!

SAFETY WARNINGS

1. NEVER alter or modify the equipment. Be sure any accessory items and system components being used will withstand the pressure developed. Use only genuine manufacturer parts for repair of your pressure washer. Failure to do so can cause hazardous operating conditions and will VOID warranty.
2. NEVER make adjustments on machinery while the unit is connected to the engine without first removing the ignition cable from the spark plug. Turning over the machinery by hand during adjustment or cleaning might start the engine and machinery with it, causing serious injury to the operator.
3. Know how to stop and bleed pressures quickly. Be thoroughly familiar with controls.
4. Before servicing the unit, turn unit off, relieve the water pressure and allow the unit to cool down. Do not make repairs while the unit is running. Service in a clean, dry, flat area. Block the wheels to prevent the unit from moving. Be especially careful to properly dispose of any flammable materials.
5. After testing the machine, DO NOT leave the pressurized unit unattended. Shut off the unit and release trapped pressure before leaving.

Table of Contents

SPECIFICATIONS	3
NOTES	4
NOTES	5
FRAME ASSEMBLY (AFTER SERIAL #10845374)	6
MOTOR / PUMP ASSEMBLY (3-0414)	8
UNLOADER (8-0635)	10

SPECIFICATIONS

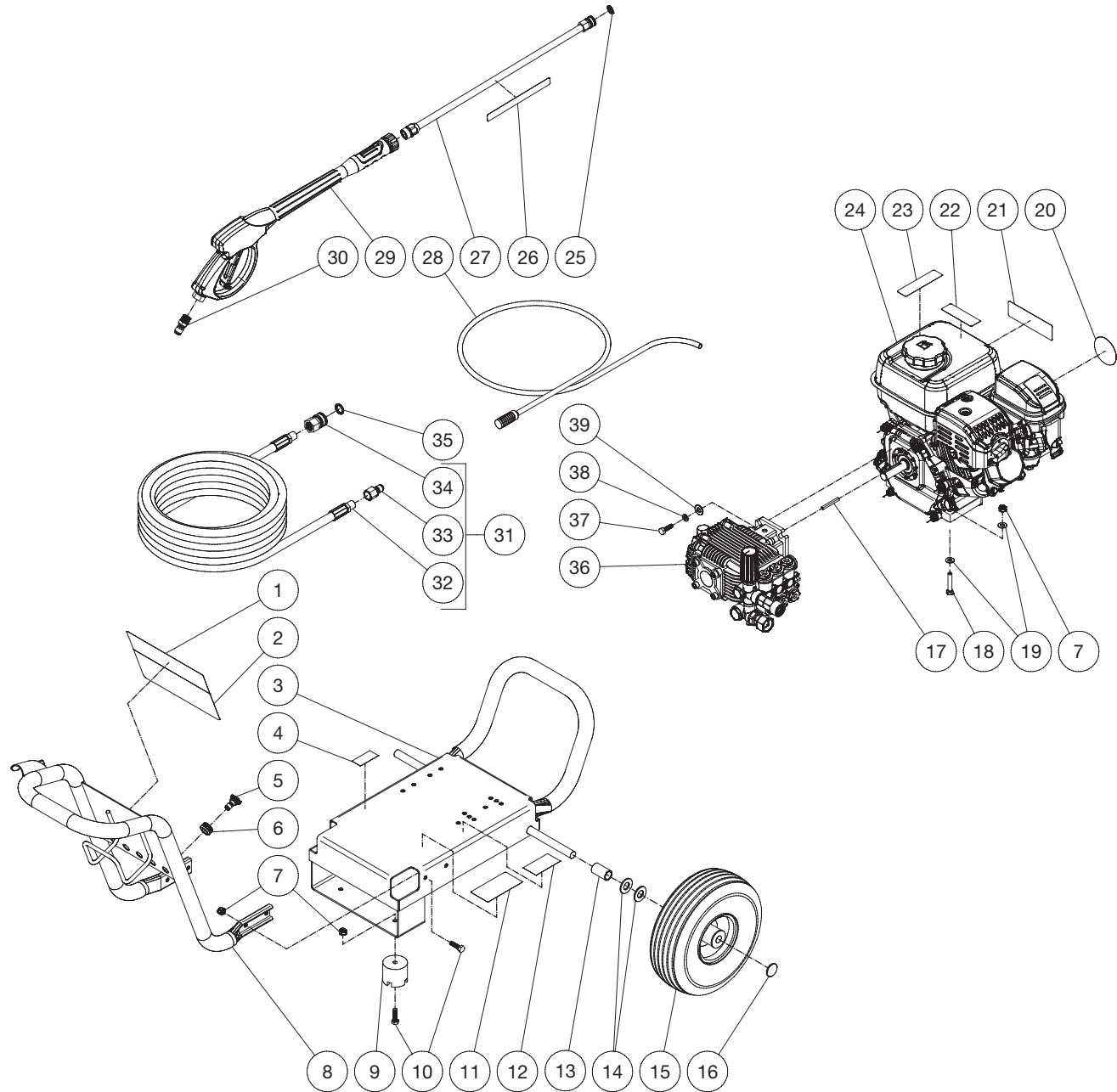
MODEL NUMBER	CM-3200-0MMB
Operating Pressure (PSI/Bar):	3200/220.6
High Pressure Nozzle:	3.0
Water Volume (GPM/lpm):	2.4/9.1
Engine:	Mi-T-M
Displacement (cc)	212
Engine Type	4 Stroke, Overhead Valve, Single Cylinder
Oil Type	SAE10W-30
Oil Capacity (oz./liters)	20/.6
Fuel Type	Unleaded Gasoline 86 Octane Minimum
Fuel Capacity (gallon/ liters)	.95/3.6
Starting	Recoil
Maximum No Load RPM	3700 (+/- 100) RPM
Pump:	Axial Direct Driven, Oil Bath, Triplex Piston
Oil Type	Mi-T-M Pump Oil AW-4085-0016
Oil Capacity (oz./liters)	16/.47
Plungers	Ceramic Coated
Manifold	Forged Brass
Valves	Stainless Steel
Unloader	Preset
Detergent Injector	Low pressure downstream from pump
Unit Net Weight (lbs/Kg)	93/42.2
Unit Shipping Weight (lbs/Kg)	102/46.3
Unit Net Dimension (in/cm)	23.21Lx20.14Wx21.49H/ 58.95Lx51.16Wx54.58H
Unit Shipping Dimension (in/cm)	29.375Lx20.625Wx27.5H/ 74.61Lx52.39Wx69.85H
*Shipped without handle attached.	

NOTES

DATE	SERIAL #	REASON
03-02-15	10845374	CHANGED PUMP FROM 3-0297 TO 3-0414
6-13-16	N/A	CHANGED PUMP FROM 3-0414 TO 3-0413
6-01-17	N/A	CHANGED PUMP FROM 3-0413 TO 3-0414

NOTES

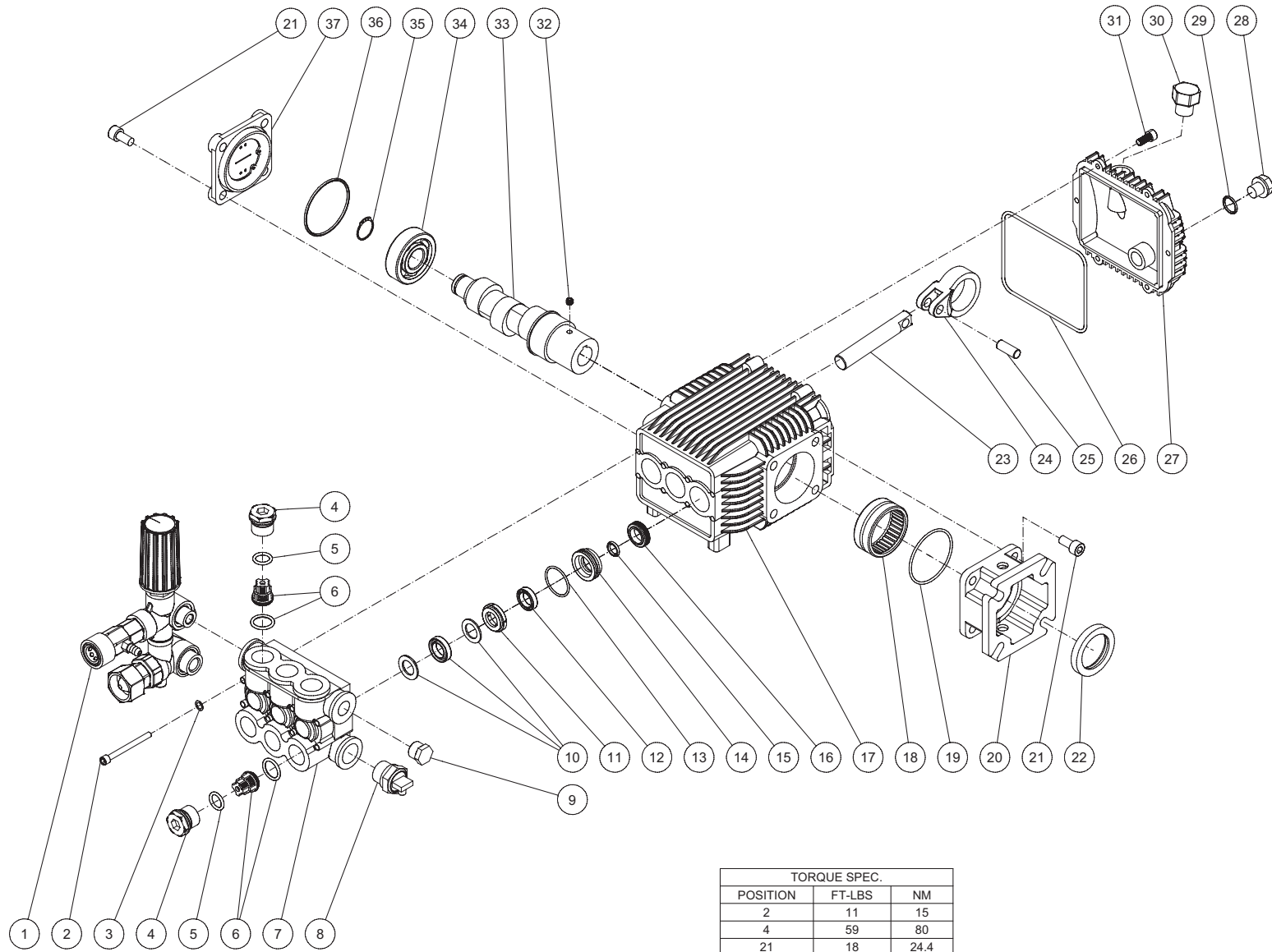
FRAME ASSEMBLY (AFTER SERIAL #10845374)



CM-3200-0MMB 052021 ATL

CM-3200-0MMB 052021 ATL			
FRAME ASSEMBLY			
ITEM	DESCRIPTION	PART #	QTY
1	DECAL	34-3188	1
2	DECAL - WARNING/CAUTION/OPERATION (SEE 71-1049)	N/A	1
3	BASEPLATE	5-0253A53	1
4	DECAL - MADE IN USA	34-3553	1
5	NOZZLE	18-0386	1
-	NOZZLE	18-0388	1
-	NOZZLE	18-0390	1
6	GROMMET	33-0001	5
7	LOCKNUT	30-0157	10
8	HANDLE	7-0276A18	1
9	ISOLATOR	14-0008	2
10	BOLT	27-0068	6
11	DECAL- SILVER STICKER	N/A	1
12	DECAL- MOBILE PRO	34-3570	1
13	SPACER	62-0176	2
14	WASHER	28-0008	4
15	WHEEL	14-0130	2
16	CAP	33-0018	2
17	KEY	43-0073	1
18	BOLT	27-0070	4
19	WASHER	28-0003	8
20	DECAL - REWIND 212CC (SEE 71-1049)	N/A	1
21	DECAL (SEE 71-1049)	N/A	1
22	DECAL - RISK OF FIRE (SEE 71-1049)	N/A	1
23	DECAL - RISK OF BURNS (SEE 71-1049)	N/A	1
24	ENGINE	1-0221	1
25	O-RING	25-0122	1
26	DECAL - RISK OF INJECTION (SEE 71-1049)	N/A	1
27	LANCE ASSEMBLY	16-0366	1
28	DETERGENT HOSE	19-0233	1
29	GUN & WAND - 4000 PSI	16-0441	1
30	QUICK CONNECT	17-0074	1
31	HOSE W/QC ENDS	15-0277	1
32	HOSE	N/A	1
33	QUICK CONNECT	17-0006	1
34	QUICK CONNECT SOCKET	17-0004	1
35	O-RING	25-0123	1
36	PUMP	3-0414	1
37	BOLT	27-0092	4
38	LOCKWASHER	29-0007	4
39	WASHER	28-0022	4
-	DECAL SET	71-1049	1

MOTOR / PUMP ASSEMBLY (3-0414)



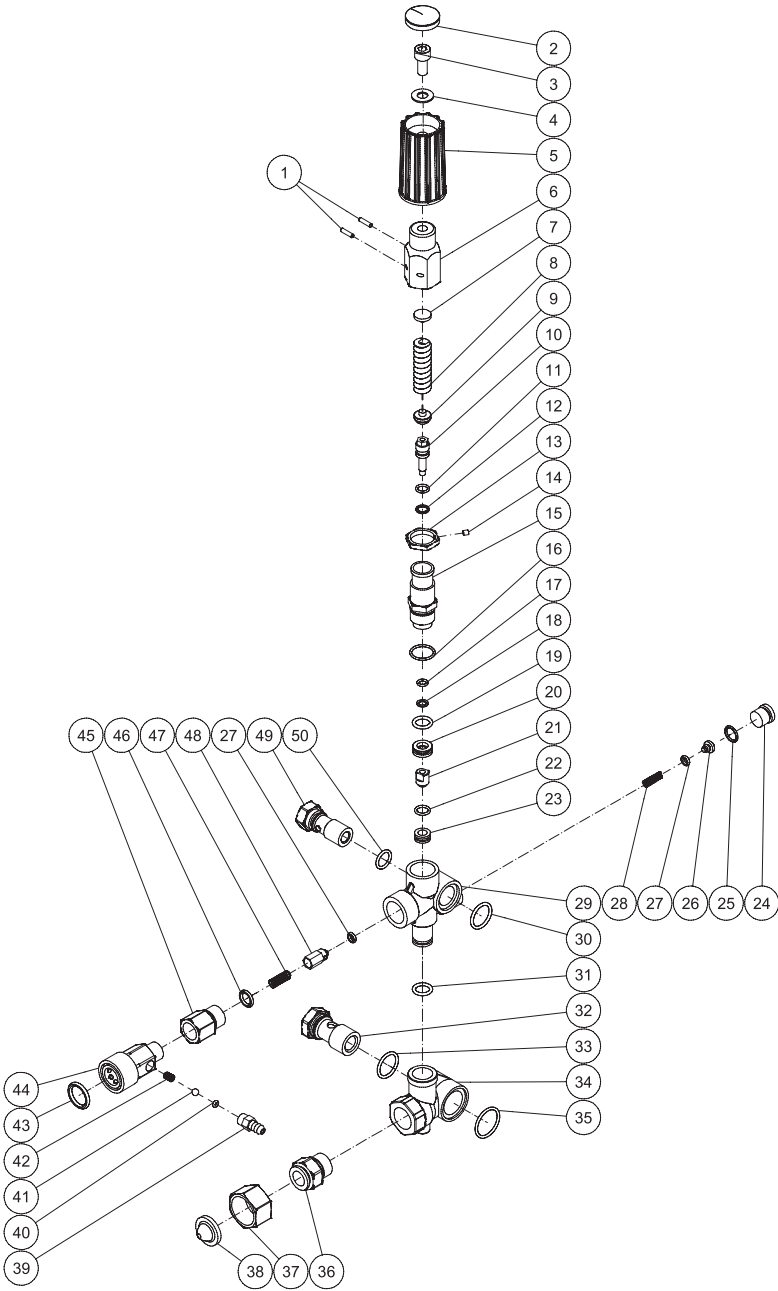
TORQUE SPEC.		
POSITION	FT-LBS	NM
2	11	15
4	59	80
21	18	24.4
30	7.4	10

3-0414 053117 ADR

PUMP ASSEMBLY			
ITEM	DESCRIPTION	PART #	QTY
1	UNLOADER	8-0635	1
2	BOLT	27-0898	8
3	WASHER	28-0203	8
4	VALVE PLUG	39-0231	6
5	O-RING	25-0622	6
6	VALVE ASSEMBLY (SEE KIT 70-0502)	70-0502	6
7	MANIFOLD HEAD	46-1503	1
8	RELIEF VALVE	22-0005	1
9	PLUG	39-0102	1
10	HIGH PRESSURE PACKING (SEE KIT 70-0501)	SEE KIT	3
11	SEAL COMPACTION RING	46-1311	3
12	LOW PRESSURE SEAL (SEE KIT 70-0501)	SEE KIT	3
13	O-RING (SEE KIT 70-0501)	SEE KIT	3
14	RETAINER RING	46-1312	3
15	O-RING	25-0663	3
16	OIL SEAL	46-1313	3
17	CRANKCASE	46-0617	1
18	NEEDLE BEARING	48-0096	1
19	O-RING	25-0603	1
20	FLANGE	46-1314	1
21	BOLT	27-8431	8
22	OIL SEAL	26-0320	1
23	PISTON - COATED	46-1504	3
24	CONNECTING ROD	46-1595	3
25	PISTON - PIN	46-1505	3
26	O-RING	25-0604	1
27	CRANKCASE COVER	46-1594	1
28	DRAIN PLUG	39-0376	1
29	O-RING	25-0606	1
30	OIL CAP	46-1593	1
31	BOLT	27-8401	6
32	SET SCREW	27-8886	1
33	CRANKSHAFT	N/A	1
34	BALL BEARING	48-0102	1
35	SNAP RING	46-1596	1
36	O-RING	25-0634	1
37	SIGHT GLASS ASSEMBLY	46-1597	1

REPLACEMENT KITS				
KIT #	DESCRIPTION	ITEMS	# OF ASSEMBLIES	# OF CYLINDERS
70-0501	KITS - PACKINGS	10, 12, 13	3, 3, 3	3
70-0502	KITS - VALVES W/ O-RING	6	6	3

UNLOADER (8-0635)



8-0635 060216 CH

UNLOADER ASSEMBLY							
ITEM	DESCRIPTION	PART #	QTY	ITEM	DESCRIPTION	PART #	QTY
1	SECURING PIN (SEE KIT 70-0659)	46-1602	2	26	SPRING BASE (SEE KIT 70-0658)	46-1603	1
2	CAP (SEE KIT 70-0659)	7-0260	1	27	O-RING (SEE KIT 70-0500 AND 70-0658)	25-0690	2
3	BOLT (SEE KIT 70-0659)	27-8431	1	28	SPRING (SEE KIT 70-0658)	46-1604	1
4	WASHER (SEE KIT 70-0659)	28-0003	1	29	VALVE HOUSING	46-1619	1
5	KNOB (SEE KIT 70-0659)	7-0259	1	30	O-RING	25-0664	1
6	KNOB (SEE KIT 70-0659)	SEE KIT	1	31	O-RING	25-0684	1
7	SPRING SEAT (SEE KIT 70-0659)	SEE KIT	1	32	INLET BANJO BOLT	8-0595	1
8	SPRING (SEE KIT 70-0659)	SEE KIT	1	33	O-RING	25-0602	1
9	SPRING SEAT (SEE KIT 70-0659)	SEE KIT	1	34	BY PASS HOUSING	46-1620	1
10	VALVE ROD (SEE KIT 70-0659)	SEE KIT	1	35	O-RING	25-0654	1
11	O-RING (SEE KIT 70-0659)	25-0651	1	36	INLET CONNECTOR (SEE KIT 23-0095)	SEE KIT	1
12	SUPPORT RING (SEE KIT 70-0659)	SEE KIT	1	37	SWIVEL NUT (SEE KIT 23-0095)	SEE KIT	1
13	JAM NUT (SEE KIT 70-0659)	SEE KIT	1	38	FILTER (SEE KIT 23-0095)	19-0001	1
14	SET SCREW (SEE KIT 70-0659)	8-0479	1	39	HOSE BARB (SEE KIT 70-0499)	46-0869	1
15	UNLOADER VALVE BODY (SEE KIT 70-0659)	SEE KIT	1	40	O-RING (SEE KIT 70-0293 AND 70-0499)	SEE KIT	1
16	O-RING (SEE KIT 70-0659)	25-0652	1	41	BALL (SEE KIT 70-0293 AND 70-0499)	SEE KIT	1
17	O-RING (SEE KIT 70-0659)	25-0163	1	42	SPRING (SEE KIT 70-0293 AND 70-0499)	SEE KIT	1
18	SUPPORT RING (SEE KIT 70-0659)	SEE KIT	1	43	O-RING	25-0123	1
19	O-RING (SEE KIT 70-0659)	25-0655	1	44	QC ADAPTER (SEE KIT 70-0499)	SEE KIT	1
20	BY PASS JET UNLOADER (SEE KIT 70-0659)	SEE KIT	1	45	OUTLET CONNECTOR	46-1389	1
21	BULLET (SEE KIT 70-0659)	SEE KIT	1	46	O-RING	25-0663	1
22	O-RING (SEE KIT 70-0659)	25-0656	1	47	SPRING (SEE KIT 70-0500)	SEE KIT	1
23	VALVE SEAT (SEE KIT 70-0659)	SEE KIT	1	48	CHECKING VALVE (SEE KIT 70-0500)	SEE KIT	1
24	PLUG (SEE KIT 70-0658)	39-0379	1	49	OUTLET BANJO BOLT	8-0594	1
25	O-RING (SEE KIT 70-0658)	25-0691	1	50	O-RING	25-0169	1

REPLACEMENT KITS			
KIT #	DESCRIPTION	ITEMS	# OF ASSEMBLIES
23-0095	KIT - GARDEN HOSE INLET ASSY	36-38	1
70-0293	KIT - INJECTOR REPAIR	40-42	1
70-0499	KIT - OUTLET QC W/CHEM INJ	39-42, 44	1, 1
70-0500	KIT - NON-RETURN VALVE	47-48, 27	1
70-0658	KIT - EZ START	24-28	1
70-0659	KIT - UNLOADER REBUILD	1-23	1

Manufactured by Mi-T-M
50 MI-T-M Drive, Peosta IA 52068
563-556-7484/ Fax 563-556-1235