



PARTS LIST FOR
CM-1400-OMEC-M
CM-1400-1MEH-M
CM-1400-OMEC-DM

Motor Horsepower:	1.5 H.P.
Pump Oil Grade:	Mi-T-M Pump Oil #AW-4085-0016
Pump Oil Capacity:	11.2 oz.
Nozzle Size:	2.5

This Parts Listing has been compiled for your benefit. You can be assured your cold water pressure washer was constructed and designed with quality and performance in mind. Each component has been rigorously tested to insure the highest level of quality.

The contents of this Parts Listing are based on the latest product information available at the time of publication. The manufacturer reserves the right to make changes in price, color, materials, equipment, specifications or models at any time without notice.

WARNING

THIS IS A PROFESSIONAL HIGH PRESSURE, COLD WATER PRESSURE WASHER. CAUTION SHOULD BE OBSERVED WHEN USING OR REPAIRING THIS UNIT! READ AND FOLLOW THE SAFETY WARNINGS LISTED BELOW BEFORE ATTEMPTING ANY REPAIRS ON THIS PRESSURE WASHER!

SAFETY WARNINGS

1. NEVER alter or modify the equipment. Be sure any accessory items and system components being used will withstand the pressure developed. Use only genuine manufacturer parts for repair of your pressure washer. Failure to do so can cause hazardous operating conditions and will VOID warranty.
2. NEVER make adjustments on machinery while the unit is connected to the engine without first removing the ignition cable from the spark plug. Turning over the machinery by hand during adjustment or cleaning might start the engine and machinery with it, causing serious injury to the operator.
3. Know how to stop and bleed pressures quickly. Be thoroughly familiar with controls.
4. Before servicing the unit, turn unit off, relieve the water pressure and allow the unit to cool down. Do not make repairs while the unit is running. Service in a clean, dry, flat area. Block the wheels to prevent the unit from moving. Be especially careful to properly dispose of any flammable materials.
5. After testing the machine, DO NOT leave the pressurized unit unattended. Shut off the unit and release trapped pressure before leaving.

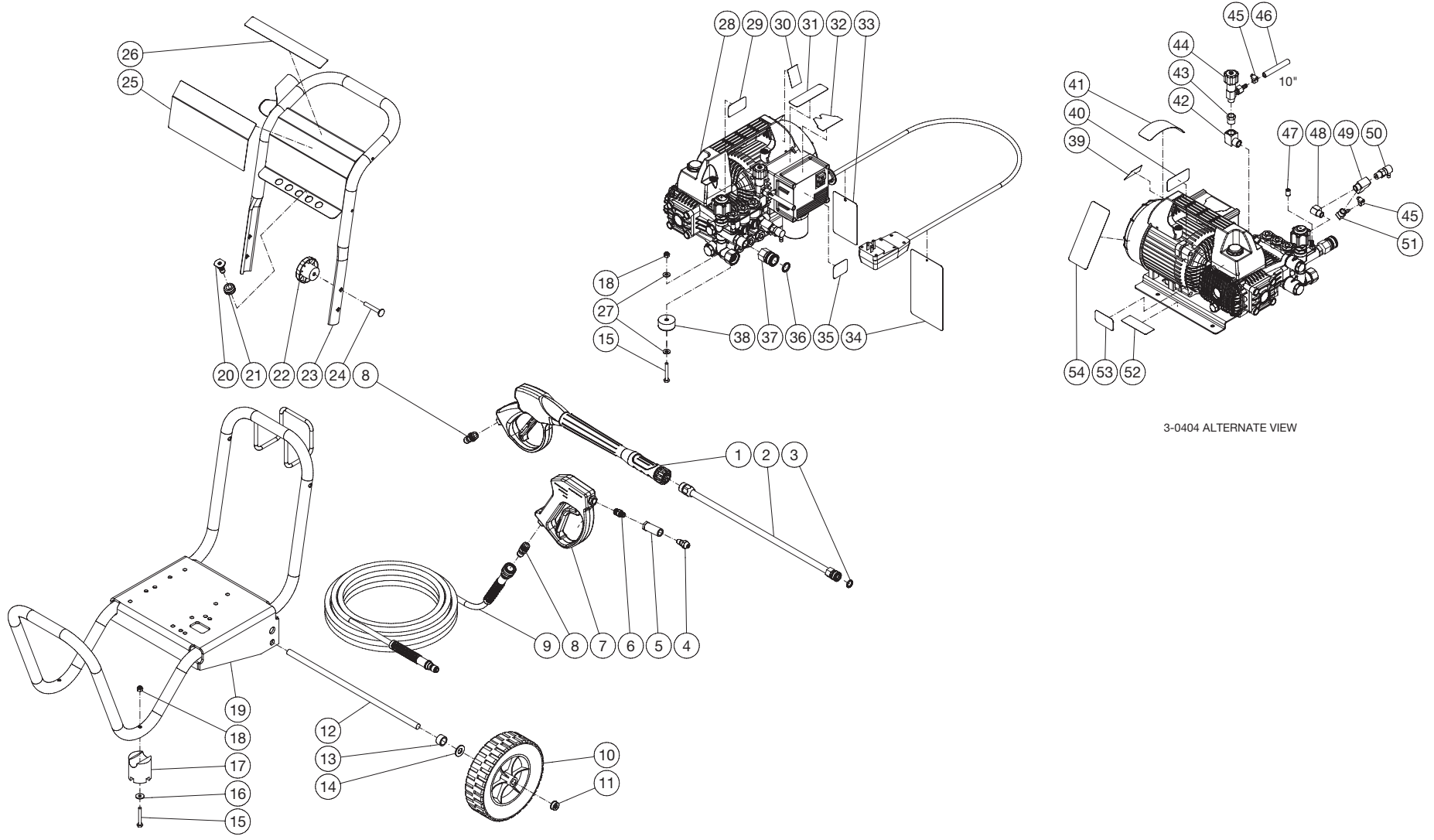
Table of Contents

SPECIFICATIONS.....	3
FRAME ASSEMBLY FOR CM-1400-0MEC-M	4
FRAME ASSEMBLY FOR CM-1400-1MEH-M	6
FRAME ASSEMBLY FOR CM-1400-0MEC-DM	8
3-0404	10

SPECIFICATIONS

MODEL NUMBER	CM-1400-0MEC-M	CM-1400-1MEH-M	CM-1400-0MEC-DM
Operating Pressure (PSI/Bar):	1400/96.5		
High Pressure Nozzle:	2.5		
Water Volume (GPM/lpm):	1.5/5.6		
Motor:	Totally enclosed fan cooled, circuit breaker thermal overload protection, 35ft. power supply cord with Ground Fault Circuit Interrupter (GFCI)		
Horsepower	1.5		
Voltage	120		
Phase	Single		
Amps	15.0		
Pump:	Direct Driven, Oil Bath, Triplex Piston		
Oil Type	Mi-T-M Pump Oil #AW-4085-0016		
Oil Capacity (oz./liters)	11.2/0.33		
Plungers	Ceramic		
Manifold	Forged Brass		
Valves	Stainless Steel		
Unloader	Adjustable		
Thermal Relief Valve	Relieves heated water during unloader bypass stage		
Detergent Injector	Adjustable low pressure down stream from pump, pressure washer mode only		
Chemical Tank Capacity	N/A	N/A	5 gal/19L
Unit Net Weight (lbs/Kg)	95/43.1	45/20.4	102/46.2
Unit Shipping Weight (lbs/Kg)	110/49.9	52/23.5	136/61.7
Unit Net Dimension (in/cm)	37.5 x 17 x 33/90.5 x 43.2 x 62.2	12 x 9.5 x 9.75/30.5 x 24 x 24.5	37.5 x 17 x 33/90.5 x 43.2 x 62.2
Unit Shipping Dimension (in/cm)	32.25 x 20.5 x 22.5/81.9 x 52.6 x 57.14	24.5 x 13 x 16/62 x 33 x 40.5	37 x 30 x 43/14.5 x 11.8 x 16.9

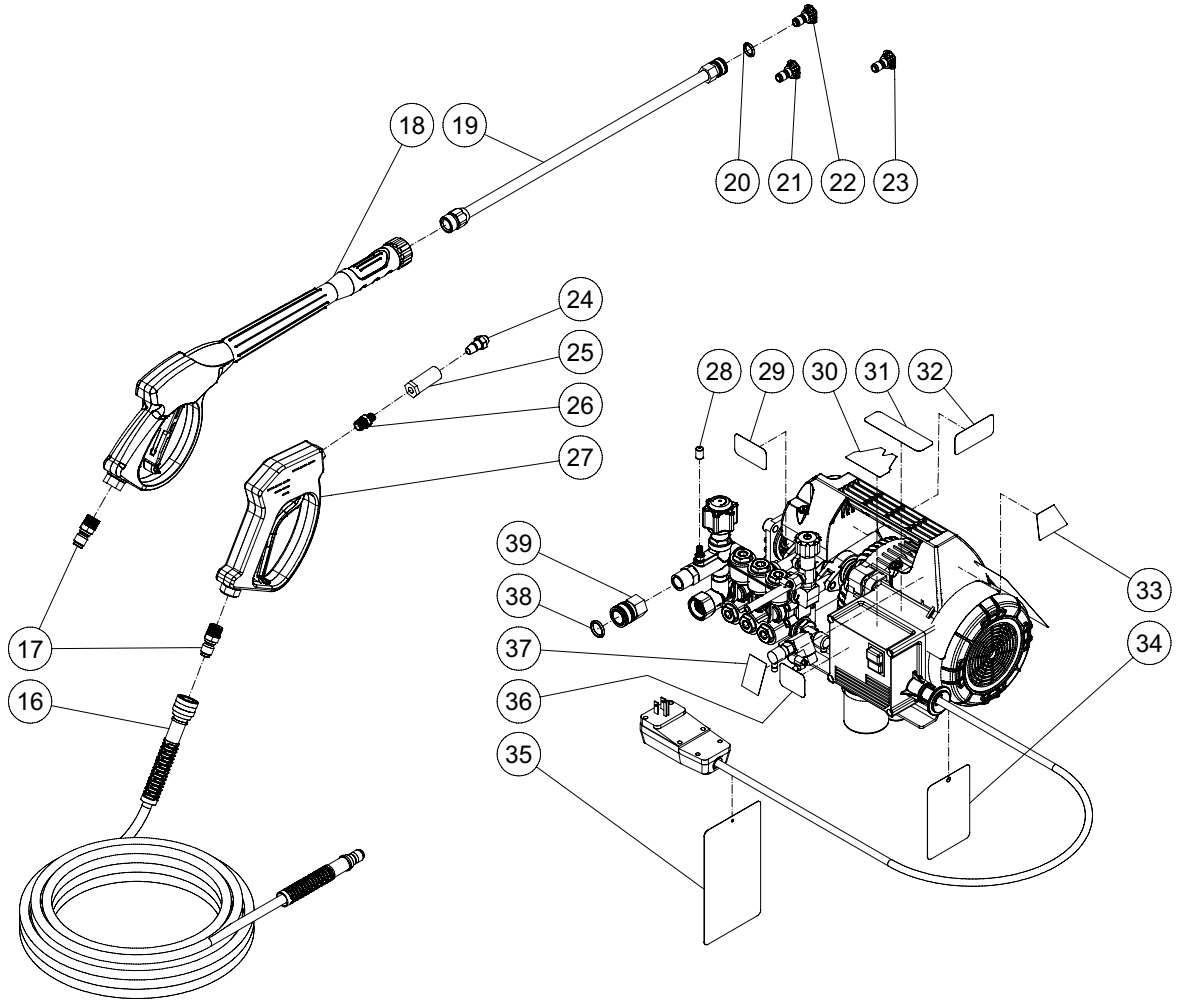
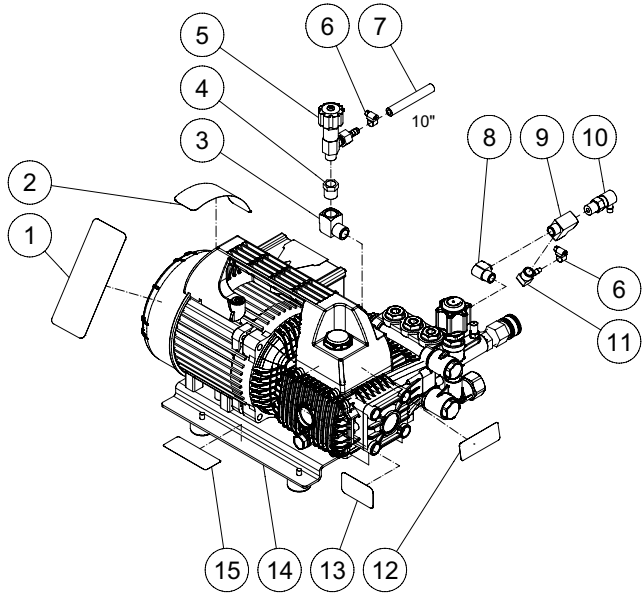
FRAME ASSEMBLY FOR CM-1400-0MEC-M



CM-1400-0MEC-M 112520-JRC

FRAME ASSEMBLY							
ITEM	TITLE	PART #	QTY	ITEM	TITLE	PART #	QTY
1	GUN & WAND - 4000 PSI	16-0441	1	28	MOTOR/PUMP ASSEMBLY	3-0404	1
2	LANCE ASSEMBLY	16-0366	1	29	DECAL - WARN.DON'T SPRAY (SEE 71-1076)	N/A	1
3	O-RING	25-0122	1	30	DECAL - MOBILE PRO	34-3885	1
4	FUEL NOZZLE	18-0305	1	31	DECAL-RISK OF INJ (SEE 71-1076)	N/A	1
5	FUEL NOZZLE HOLDER	23-0292	1	32	DECAL - MI-T-M	N/A	1
6	ADAPTER	24-0375	1	33	HANG TAG-WARN/CAUTION	N/A	1
7	GUN	16-0446	1	34	TAG - WARNING RISK OF ELECTROCUTION	N/A	1
8	QUICK CONNECT	17-0074	2	35	DECAL - CONN. CIRCUIT BREAKER (SEE 71-1076)	N/A	1
9	HIGH PRESSURE HOSE	15-0392	1	36	O-RING	25-0123	1
10	WHEEL	14-0052	2	37	QUICK CONNECT SOCKET	17-0004	1
11	HUB CAP	33-0055	2	38	ISOLATOR	14-0069	4
12	AXLE	20-0517	1	39	DECAL - HOT SURFACE (SEE 71-1076)	N/A	1
13	SPACER	62-0232	2	40	DECAL-DATA PLATE	N/A	1
14	WASHER	28-0006	4	41	DECAL - RISK OF INJURY (SEE 71-1076)	N/A	1
15	BOLT	27-0019	6	42	ELBOW	23-0034	1
16	WASHER	28-0021	2	43	REDUCER	23-0017	1
17	ISOLATOR	14-0066	2	44	MISTING VALVE	22-0525	1
18	LOCKNUT	30-0155	6	45	CLAMP WORM	42-0004	2
19	FRAME	5-0148A18	1	46	FUEL HOSE *(ONE FOOT REQUIRED)	15-0008	1
20	NOZZLE	18-0386	1	47	CAP	39-0248	1
-	NOZZLE	18-0438	1	48	ELBOW	23-0014	1
-	NOZZLE	18-0439	1	49	TEE	23-0127	1
21	GROMMET	33-0001	5	50	HEAT DUMP VALVE	22-0408	1
22	KNOB	7-0261	2	51	ELBOW	23-0054	1
23	HANDLE	7-0158A18	1	52	DECAL - PROP 65	N/A	1
24	BOLT	31-0051	2	53	DECAL - WARNING (SEE 71-1076)	N/A	1
25	DECAL - OPERATIONS (SEE 71-1076)	N/A	1	54	DECAL - RISK OF ELEC. SHOCK (SEE 71-1076)	N/A	1
26	DECAL - SPECIFICATIONS (SEE 71-1076)	N/A	1	-	DECAL SET	71-1076	1
27	WASHER	28-0002	8	*MUST ORDER IN ONE FOOT LENGTHS			

FRAME ASSEMBLY FOR CM-1400-1MEH-M



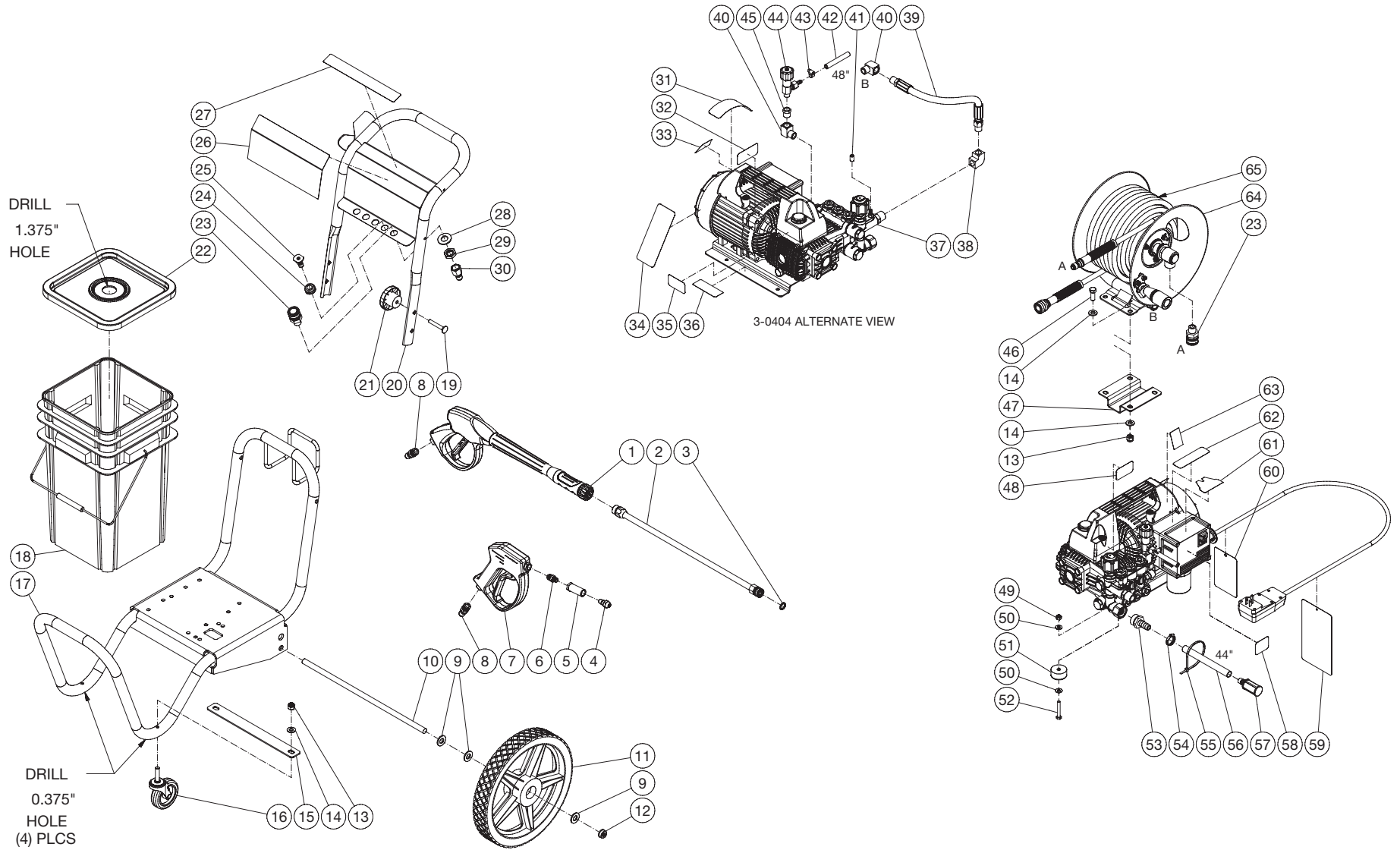
CM-1400-1MEH-M 101620 JJR

FRAME ASSEMBLY			
ITEM	TITLE	PART #	QTY
1	DECAL - RISK OF ELEC. SHOCK (SEE 71-1077)	N/A	1
2	DECAL - RISK OF INJURY (SEE 71-1077)	N/A	1
3	ELBOW	23-0034	1
4	REDUCER	23-0017	1
5	MISTING VALVE	22-0525	1
6	CLAMP WORM	42-0004	2
7	FUEL HOSE *(ONE FOOT REQUIRED)	15-0008	1
8	ELBOW	23-0014	1
9	TEE	23-0127	1
10	HEAT DUMP VALVE	22-0408	1
11	ELBOW	23-0054	1
12	DECAL	34-3887	1
13	DECAL - WARNING (SEE 71-1077)	N/A	1
14	MOTOR/PUMP ASSY	3-0404	1
15	DECAL - PROP 65	N/A	1
16	HIGH PRESSURE HOSE	15-0392	1
17	QUICK CONNECT	17-0074	2
18	GUN & WAND - 4000 PSI	16-0441	1
19	LANCE ASSEMBLY	16-0366	1
20	O-RING	25-0122	1
21	NOZZLE	18-0438	1
22	NOZZLE	18-0439	1
23	NOZZLE	18-0386	1
24	FUEL NOZZLE	18-0305	1
25	FUEL NOZZLE HOLDER	23-0292	1
26	ADAPTER	24-0375	1
27	GUN	16-0446	1
28	CAP	39-0248	1
29	DECAL:WARN.DON'T SPRAY (SEE 71-1077)	N/A	1
30	DECAL - Mi-T-M	N/A	1
31	DECAL-RISK OF INJ (SEE 71-1077)	N/A	1
32	DECAL-DATA PLATE	N/A	1
33	DECAL- HOT SURFACE (SEE 71-1077)	N/A	1
34	HANG TAG-WARN/CAUTION	34-1432	1
35	TAG - WARNING RISK OF ELECTROCUTION	34-1035	1
36	DECAL - CONN. CIRCUIT BREAKER (SEE 71-1077)	N/A	1
37	DECAL - MOBILE PRO	34-3885	1
38	O-RING	25-0123	1
39	QC SOCKET	17-0004	1
-	DECAL SET	71-1077	1

*MUST ORDER IN ONE FOOT LENGTHS

FRAME ASSEMBLY FOR CM-1400-0MEC-DM

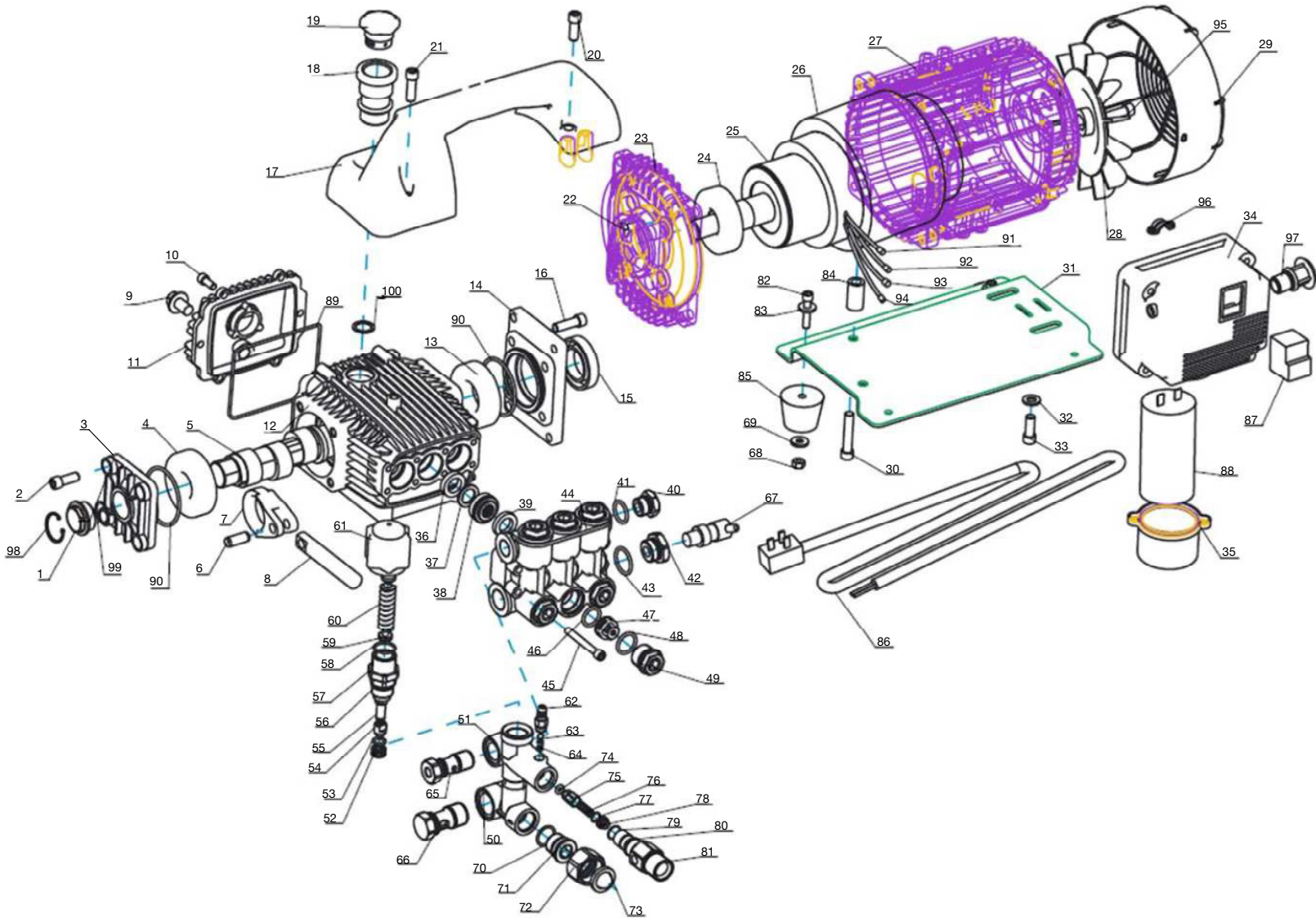
CM-1400-0MEC-DM 112520_JRC



FRAME ASSEMBLY							
ITEM	TITLE	PART #	QTY	ITEM	TITLE	PART #	QTY
1	GUN & WAND - 4000 PSI	16-0441	1	33	DECAL - HOT SURFACE (SEE 71-1076)	N/A	1
2	LANCE ASSEMBLY	16-0366	1	34	DECAL - RISK OF ELEC. SHOCK (SEE 71-1076)	N/A	1
3	O-RING	25-0122	1	35	DECAL - WARNING (SEE 71-1076)	N/A	1
4	FUEL NOZZLE	18-0305	1	36	DECAL - PROP 65	N/A	1
5	FUEL NOZZLE HOLDER	23-0292	1	37	MOTOR/PUMP ASSEMBLY	3-0404	1
6	ADAPTER	24-0375	1	38	ELBOW	23-0307	1
7	GUN	16-0446	1	39	HOSE	15-0257	1
8	QUICK CONNECT	17-0074	2	40	ELBOW	23-0034	2
9	WASHER	28-0006	6	41	CAP	39-0248	1
10	AXLE	20-0517	1	42	FUEL HOSE *(FOUR FEET REQUIRED)	15-0008	1
11	WHEEL	14-0111	2	43	CLAMP WORM	42-0004	1
12	HUB CAP	33-0055	2	44	MISTING VALVE	22-0525	1
13	LOCKNUT	30-0159	6	45	REDUCER	23-0017	1
14	WASHER	28-0004	10	46	BOLT	27-0117	4
15	BUCKET BRACKET	20-1636A18	1	47	BRACKET	20-1635A18	1
16	CASTER	14-0170	2	48	DECAL:WARN.DON'T SPRAY (SEE 71-1076)	N/A	1
17	FRAME	5-0148A18	1	49	LOCKNUT	30-0155	4
18	5 GALLON SQUARE PAIL	33-0654	1	50	WASHER	28-0002	8
19	BOLT	31-0051	2	51	ISOLATOR	14-0069	4
20	HANDLE	7-0158A18	1	52	BOLT	27-0019	4
21	KNOB	7-0261	2	53	HOSE BARB	23-0526	1
22	LID FOR 5 GALLON PAIL	33-0655	1	54	HOSE CLAMP	42-0011	1
23	QUICK CONNECT SOCKET	17-0007	2	55	CABLE TIE	33-0022	5
24	GROMMET	33-0001	4	56	HOSE *(FOUR FEET REQUIRED)	15-0026	1
25	NOZZLE	18-0386	1	57	STRAINER	19-0301	1
-	NOZZLE	18-0438	1	58	DECAL - CONN. CIRCUIT BREAKER (SEE 71-1076)	N/A	1
-	NOZZLE	18-0439	1	59	TAG - WARNING RISK OF ELECTROCUTION	N/A	1
26	DECAL - OPERATIONS (SEE 71-1076)	N/A	1	60	HANG TAG-WARN/CAUTION	N/A	1
27	DECAL - SPECIFICATIONS (SEE 71-1076)	N/A	1	61	DECAL - Mi-T-M	N/A	1
28	WASHER	28-0008	1	62	DECAL-RISK OF INJ (SEE 71-1076)	N/A	1
29	LOCKNUT	32-1285	1	63	DECAL - MOBILE PRO	34-3885	1
30	QUICK CONNECT	17-0075	1	64	HOSE REEL	50-0223	1
31	DECAL - RISK OF INJURY (SEE 71-1076)	N/A	1	65	HIGH PRESSURE HOSE	15-0392	1
32	DECAL-DATA PLATE	N/A	1	-	DECAL SET	71-1076	1

*MUST ORDER IN ONE FOOT LENGTHS

3-0404



3-0404 020520 JRC

PUMP/MOTOR ASSEMBLY								
ITEM	DESCRIPTION	PART #	QTY		ITEM	DESCRIPTION	PART #	QTY
1	OIL LEVEL INDICATOR	46-1589	1		52	SEAT (SEE KIT 70-0649)	SEE KIT	1
2	SCREW M8 X 16MM	27-8982	4		53	O-RING F10 X 1.5 (SEE KIT 70-0649)	SEE KIT	1
3	CRANKSHAFT COVER	46-1590	1		54	NUT (SEE KIT 70-0649)	SEE KIT	1
4	BALL BEARING	N/A	1		55	UNLOADER PISTON (SEE KIT 70-0649)	SEE KIT	1
5	CRANKSHAFT	N/A	1		56	UNLOADER PISTON SEAT (SEE KIT 70-0649)	SEE KIT	1
6	PLUNGER PIN	N/A	3		57	NUT (SEE KIT 70-0649)	SEE KIT	1
7	CONNECTING ROD	N/A	3		58	O-RING F9.5MM X 1.8MM (SEE KIT 70-0649)	SEE KIT	1
8	CERAMIC COATING PLUNGER	N/A	3		59	SPRING SEAT (SEE KIT 70-0649)	SEE KIT	1
9	OIL DRAIN PLUG M10 X 30MM	39-0373	1		60	SPRING (SEE KIT 70-0649)	SEE KIT	1
10	SCREW M6 X 14MM	27-8401	6		61	KNOB	7-0281	1
11	CRANKCASE COVER	46-1591	1		62	BARB (SEE KIT 70-0578)	SEE KIT	1
12	CRANKCASE	N/A	1		63	STEEL BALL (SEE KIT 70-0578)	SEE KIT	1
13	BALL BEARING	N/A	1		64	SPRING (SEE KIT 70-0578)	SEE KIT	1
14	CRANKCASE COVER	N/A	1		65	BANJO BOLT OUTLET	70-0575	1
15	OIL SEAL 30MM X 50MM X 10MM	26-0401	1		66	BANJO BOLT INLET	70-0576	1
16	SCREW M8 X 25MM	27-8433	4		67	THERMAL VALVE	22-0408	1
17	HANDLE - PLASTIC	7-0255	1		68	HEX NUT M6	30-6024	4
18	OIL PLUG	39-0374	1		69	WASHER	28-0200	4
19	OIL PLUG CAP	39-0375	1		70	O-RING F18MM X 1.8MM	25-0221	1
20	SCREW M8 X 25	27-8433	1		71	SCREW	N/A	1
21	SCREW M8 X 235MM	27-8435	1		72	NUT	46-1445	1
22	HEX SCREW M8 X 20MM (SEE KIT 70-0653)	27-8032	4		73	FLITER	19-0001	1
23	MOTOR FLANGE (SEE KIT 70-0653)	SEE KIT	1		74	O-RING F4MM X 2.5MM (SEE KIT 70-0652)	N/A	1
24	BALL BEARING 6205RZ (SEE KIT 70-0653)	SEE KIT	1		75	OUTLET PISTON (SEE KIT 70-0652)	N/A	1
25	ROTOR (SEE KIT 70-0653)	SEE KIT	1		76	OUTLET SPRING (SEE KIT 70-0652)	N/A	1
26	STATOR (SEE KIT 70-0653)	SEE KIT	1		77	O-RING F9MM X 1.0MM	25-0732	1
27	MOTOR HOUSING (SEE KIT 70-0653)	SEE KIT	1		78	OUTLET VAVLE	46-1838	1
28	MOTOR FAN (SEE KIT 70-0653)	52-0116	1		79	O-RING F13MM X 1.0MM	25-0639	1
29	FAN COVER (SEE KIT 70-0653)	52-0117	1		80	O-RING F15MM X 1.8MM	25-0638	1
30	SCREW M8 X 40MM	27-9590	2		81	OUTLET CONNECTOR	46-1443	1
31	BASEPLATE	52-0118	1		82	SCREW M6 X 25	27-8003	4
32	WASHER M8	28-1011	2		83	WASHER	28-0200	4
33	SCREW M8 X 20MM	27-8432	2		84	BUSHING	52-0121	2
34	ELECTRICAL BOX	52-0119	1		85	RUBBER ISOLATOR FOOT	14-0146	4
35	CAPACITOR COVER	52-0120	1		86	POWER SUPPLY CORD W/GFCI	32-0268	1
36	OIL SEAL 15MM X 24MM X 55MM (SEE KIT 70-0651)	SEE KIT	3		-	GFCI ONLY	32-0364	1
37	O-RING (SEE KIT 70-0651)	SEE KIT	3		87	POWER SWITCH	52-0123	1
38	PACKING RETAINER (SEE KIT 70-0651)	SEE KIT	3		88	CAPACITOR	52-0124	1
39	OIL SEAL 15MM X 22MM X 50MM (SEE KIT 70-0651)	SEE KIT	3		89	O-RING F100MM X 2.5MM	25-0685	1
40	OUTLET PLUG	39-0408	1		90	O-RING F56MM X 2.5MM	25-0158	2
41	WASHER	28-0142	1		91	WHITE WIRE	N/A	1
42	INLET PLUG	39-0409	1		92	BLUE WIRE	N/A	1
43	WASHER	28-0143	1		93	RED WIRE	N/A	1
44	MANIFOLD	N/A	1		94	BLACK WIRE	N/A	1
45	SCREW M6 X 50MM	N/A	6		95	SCREW M8 X 20MM	27-8432	1
46	O-RING F18MM X 2.5MM (SEE KIT 70-0650)	N/A	6		96	CLIP	42-0066	1
47	ONE WAY VALVE (SEE KIT 70-0650)	N/A	6		97	STRAIN RELIEF	32-1265	1
48	O-RING F18MM X 2.5MM	25-0636	6		98	OIL LEVEL INDICATOR RETAINING RING	46-1592	1
49	ONE WAY VALVE NUT	46-1441	6		99	O-RING 20MM X 2.5MM	25-0686	1
50	INLET T CONNECTOR	46-1448	1		100	GASKET 36MM X 26MM X 3MM	26-0402	1
51	OUTLET T CONNECTOR	46-1447	1					

REPLACEMENT KITS				
KIT #	DESCRIPTION	ITEMS	# OF ASSEMBLIES	# OF CYLINDERS
70-0578	KIT - CHEM. INJECTOR	62-64	1	-
70-0649	KIT - UNLOADER REBUILD	52-60	1	-
70-0650	KIT - VALVES	46-47	6	3
70-0651	KIT - PACKINGS	36-39	3	3
70-0652	KIT - CHECK VAVLE	74-76	1	-
70-0653	KIT - MOTOR REPLACEMENT	22-29	1	-

Manufactured by Mi-T-M
50 Mi-T-M Drive, Peosta IA 52068
563-556-7484/ Fax 563-556-1235