



PARTS LIST FOR
CW-1003-SME1
CW-2004-SME1
CW-2004-SME3
CW-3004-SME3
(AFTER SERIAL #10495457)

Motor Horsepower:

CW-1003-SME1:	2.0 H.P.
CW-2004-SME1:	6.0 H.P.
CW-2004-SME3:	6.0 H.P.
CW-3004-SME3:	8.0 H.P.

Pump Oil Grade: Mi-T-M Pump Oil #AW-4085-0016

Pump Oil Capacity: 41 oz.

Nozzle Size:

CW-1003-SME1:	5.0
CW-2004-SME1:	5.5
CW-2004-SME3:	5.5
CW-3004-SME3:	4.0

This Parts Listing has been compiled for your benefit. You can be assured your Mi-T-M Cold Water Pressure Washer was constructed and designed with quality and performance in mind using over 25 years experience in the pressure washer business. Each component has been rigorously tested to insure the highest level of acceptance.

The contents of this Parts Listing are based on the latest product information available at the time of publication. Mi-T-M reserves the right to make changes in price, color, materials, equipment, specifications or models at any time without notice.

WARNING

THIS IS A PROFESSIONAL HIGH PRESSURE, COLD WATER PRESSURE WASHER. CAUTION SHOULD BE OBSERVED WHEN USING OR REPAIRING THIS UNIT! READ AND FOLLOW THE SAFETY WARNINGS LISTED BELOW BEFORE ATTEMPTING ANY REPAIRS ON THIS PRESSURE WASHER!

SAFETY WARNINGS

1. NEVER alter or modify the equipment. Be sure any accessory items and system components being used will withstand the pressure developed. Use only genuine Mi-T-M parts for repair of your pressure washer. Failure to do so can cause hazardous operating conditions and will VOID warranty.
2. NEVER make adjustments on machinery while the unit is connected to the engine without first removing the ignition cable from the spark plug. Turning over the machinery by hand during adjustment or cleaning might start the engine and machinery with it, causing serious injury to the operator.
3. Know how to stop and bleed pressures quickly. Be thoroughly familiar with controls.
4. Before servicing the unit, turn unit off, relieve the water pressure and allow the unit to cool down. Do not make repairs while the unit is running. Service in a clean, dry, flat area. Block the wheels to prevent the unit from moving. Be especially careful to properly dispose of any flammable materials.
5. After testing the machine, DO NOT leave the pressurized unit unattended. Shut off the unit and release trapped pressure before leaving.

TABLE OF CONTENTS

SPECIFICATIONS..... 3

FRAME ASSEMBLY FOR CW-1003-SME1 (AFTER SERIAL #10165216)..... 4

FRAME ASSEMBLY FOR CW-2004-SME1, CW-2004-SME3 AND CW-3004-SME3 (AFTER SERIAL #10165216)..... 6

ELECTRIC BOX ASSEMBLY (851-0352)..... 8

ELECTRIC BOX ASSEMBLY (851-0353)..... 10

ELECTRIC BOX ASSEMBLY (851-0366 AND 851-0367)..... 12

PUMP ASSEMBLY (3-0202 AND 3-0203)..... 14

DUAL LANCE ASSEMBLY (16-0416)..... 16

DETERGENT INJECTOR (AW-8400-0021)..... 18

NOTES..... 19

WIRING SCHEMATIC (AFTER SERIAL #10495457)..... 20

WIRING DIAGRAM (AFTER SERIAL #10495457)..... 21

WIRING SCHEMATIC (AFTER SERIAL #10495457)..... 22

WIRING DIAGRAM (AFTER SERIAL #10495457)..... 23

WIRING SCHEMATIC - AUTO START/STOP, 1 PHASE (CX-0069) (AFTER SERIAL #10495457)..... 24

WIRING DIAGRAM - AUTO START/STOP, 1 PHASE (CX-0069) (AFTER SERIAL #10495457)..... 25

WIRING SCHEMATIC - AUTO START/STOP, 3 PHASE (CX-0069 AND CX-0076) (AFTER SERIAL #10495457)..... 26

WIRING DIAGRAM - AUTO START/STOP, 3 PHASE (CX-0069 AND CX-0076) (AFTER SERIAL #10495457)..... 27

WIRING SCHEMATIC - REMOTE BOX, 1 PHASE (CX-0078) (AFTER SERIAL #10495457)..... 28

WIRING DIAGRAM - REMOTE BOX, 1 PHASE (CX-0078) (AFTER SERIAL #10495457)..... 29

WIRE SCHEMATIC - REMOTE BOX 3 PHASE (CX-0078 AND CX-0076) (AFTER SERIAL #10495457)..... 30

WIRE DIAGRAM - REMOTE BOX 3 PHASE (CX-0078 AND CX-0076) (AFTER SERIAL #10495457)..... 31

WIRING SCHEMATIC - MULTI REMOTE BOX - 1 PHASE (CX-0078) (AFTER SERIAL #10495457)..... 32

WIRING DIAGRAM - MULTI BOX - 1 PHASE (CX-0078) (AFTER SERIAL #10495457)..... 33

WIRING SCHEMATIC - MULTI REMOTE BOX, 3 PHASE (CX-0078 AND CX-0076) (AFTER SERIAL #10495457)..... 34

WIRING DIAGRAM - MULTI REMOTE BOX, 3 PHASE (CX-0078 AND CX-0076) (AFTER SERIAL #10495457)..... 35

WIRING SCHEMATIC - AUTO START/STOP AND REMOTE BOX, 1 PHASE (AFTER SERIAL #10495457)..... 36

WIRING DIAGRAM - AUTO START/STOP AND REMOTE BOX, 1 PHASE (AFTER SERIAL #10495457)..... 37

WIRING SCHEMATIC - AUTO START/STOP AND REMOTE BOX 3 PHASE (CX-0076) (AFTER SERIAL #10495457)..... 38

WIRING DIAGRAM - AUTO START/STOP AND REMOTE BOX 3 PHASE (CX-0076) (AFTER SERIAL #10495457)..... 39

WIRING SCHEMATIC - AUTO START/STOP AND MULTI REMOTE BOX, 1 PHASE (AFTER SERIAL #10495457)..... 40

WIRING DIAGRAM - AUTO START/STOP AND MULTI REMOTE BOX, 1 PHASE (AFTER SERIAL #10495457)..... 41

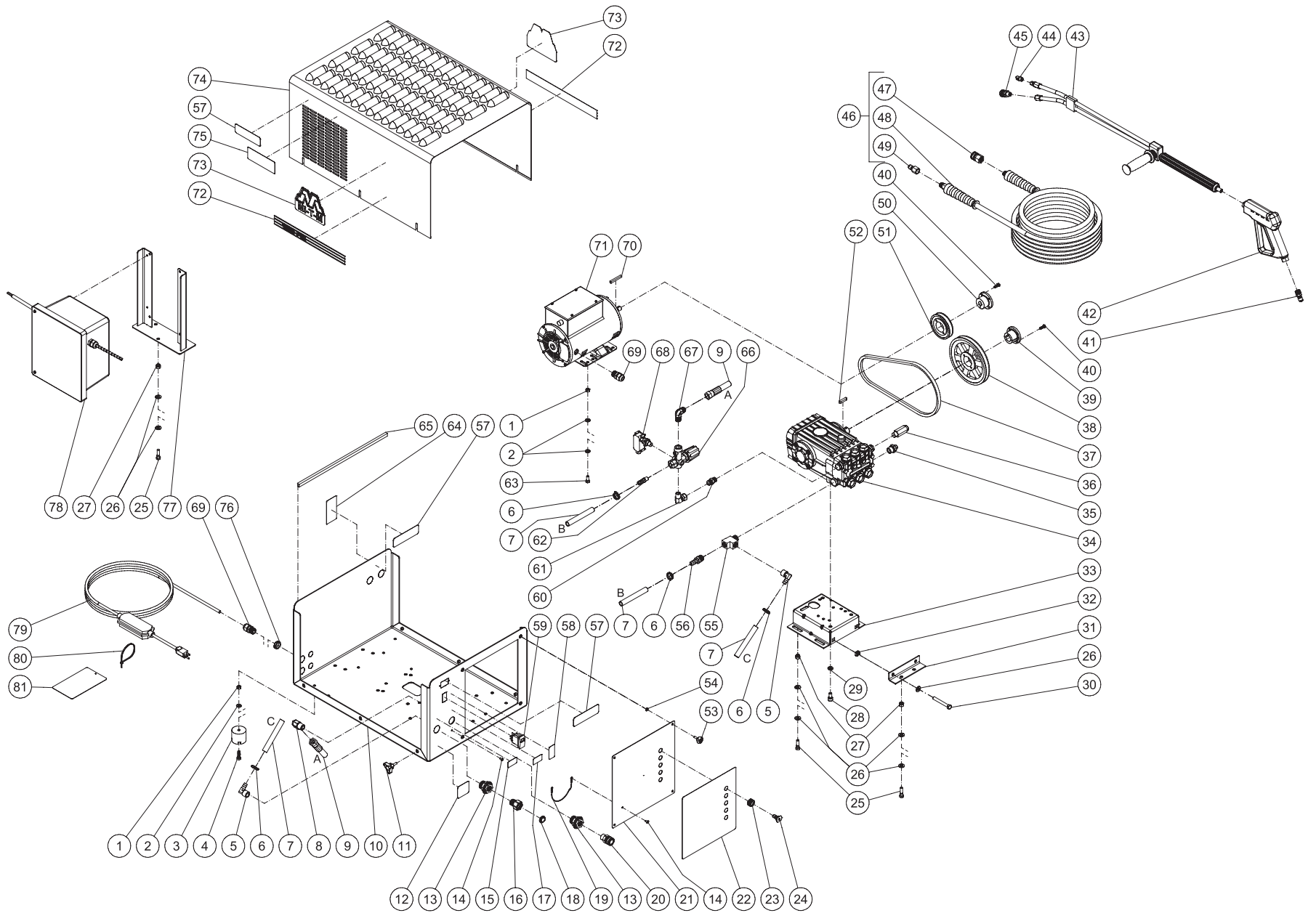
WIRING SCHEMATIC - AUTO START/STOP AND MULTI REMOTE BOX, 3 PHASE (CX-0069 AND CX-0076) (AFTER SERIAL #10495457)..... 42

WIRING DIAGRAM - AUTO START/STOP AND MULTI REMOTE BOX, 3 PHASE (CX-0069 AND CX-0076) (AFTER SERIAL #10495457)..... 43

SPECIFICATIONS

MODEL NUMBER	CW-1003-SME1	CW-2004-SME1	CW-2004-SME3	CW-3004-SME3
Operating Pressure (PSI/Bar):	1000/68.9	2000/137.9	2000/138	3000/207
High Pressure Nozzle:	5.0	5.5	5.5	4.0
Water Volume (GPM/lpm):	2.5/9.5	3.9/14.5	3.9/14.8	3.5/13.2
Motor:	Open drip proof, manual reset thermal overload protection, ground fault circuit interrupter (GFCI)	Totally enclosed fan cooled, manual reset thermal overload protection, ground fault circuit interrupter (GFCI)	Open drip proof, manual reset thermal overload protection,	
Horsepower	2.0	6.0	6.0	8.0
Voltage	120		230	
RPM	1725			
Phase	Single		Three	
Amps	18.8	22.1	15	20
Pump:	Belt Driven, Oil Bath, Triplex Piston			
Oil Type	Mi-T-M Pump Oil #AW-4085-0016			
Oil Capacity (oz./liters)	41/1.2			
Plungers	Ceramic			
Manifold	Forged Brass			
Valves	Stainless Steel			
Unloader	Pre-Set at the factory			
Thermal Relief Valve	Relieves heated water during unloader bypass stage			
Detergent Injector	Adjustable low pressure down stream from pump			
Unit Net Dimension (in/cm)	29.5Lx20.5Wx15H/75Lx52Wx38H		29.5Lx20.5Wx15H/75Lx52Wx38H	
Unit Shipping Dimension (in/cm)	48Lx30Wx34H/122Lx76Wx86H		48Lx30Wx24H/122Lx76Wx61H	

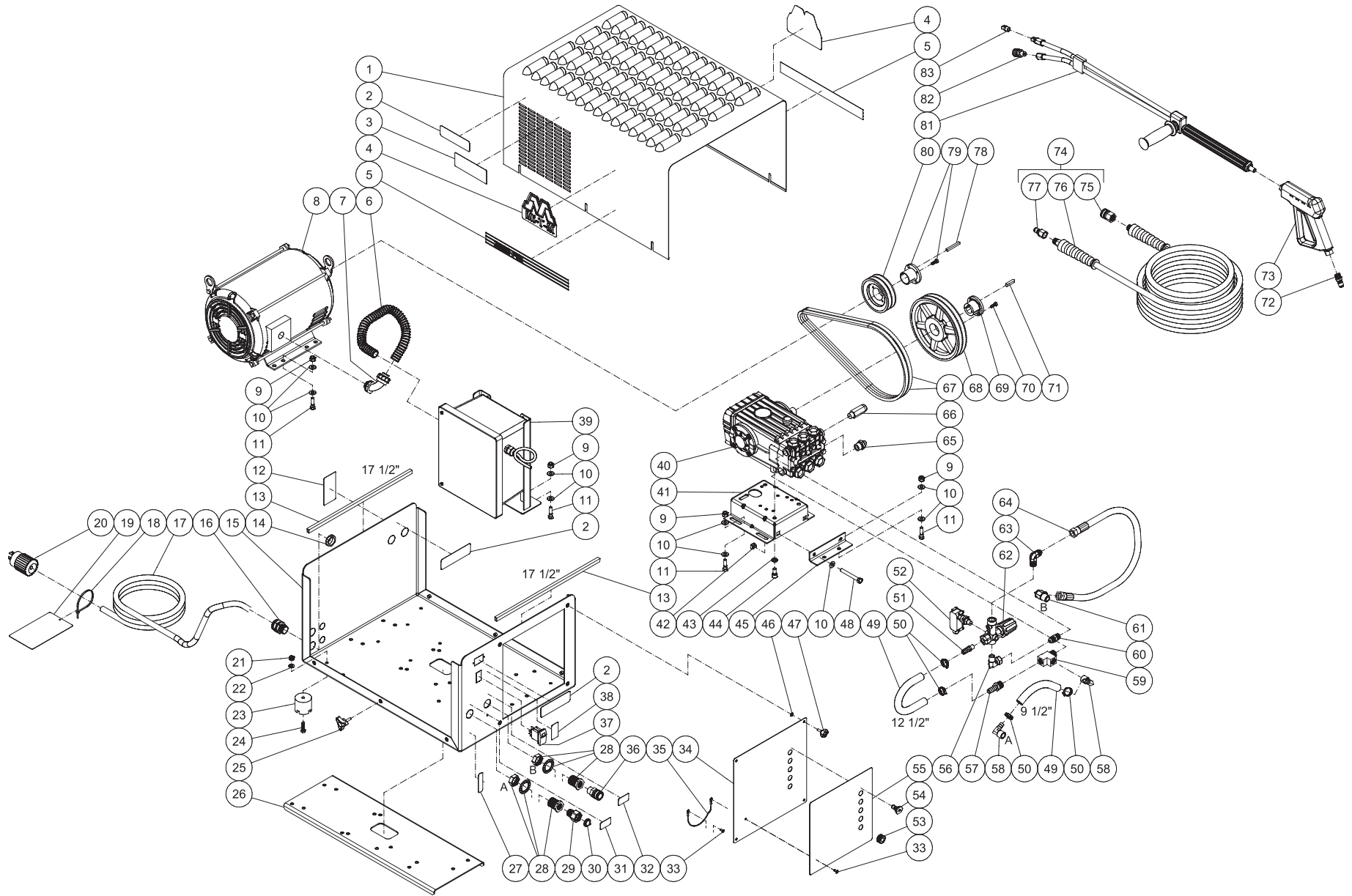
FRAME ASSEMBLY FOR CW-1003-SME1 (AFTER SERIAL #10165216)



CW-1003-SME1 080913

FRAME ASSEMBLY							
ITEM	DESCRIPTION	Mi-T-M #	QTY	ITEM	DESCRIPTION	Mi-T-M #	QTY
1	LOCKNUT	30-5158	8	41	QUICK CONNECT	17-0005	1
2	WASHER	28-0122	12	42	GUN	16-0001	1
3	ISOLATOR	14-0008	4	43	DUAL LANCE	16-0416	1
4	BOLT	27-5024	4	44	NOZZLE	18-0110	1
5	HOSE BARB	23-0418	2	45	QC SOCKET	17-0028	1
6	HOSE CLAMP	42-0011	4	46	HIGH PRESSURE HOSE ASSEMBLY (Inc 47-49)	851-0262	1
7	HOSE *(TWO FEET REQUIRED)	15-0007	1	47	QC SOCKET	17-0004	1
8	90° ELBOW FITTING	24-0074	1	48	HOSE	15-0146	1
9	HIGH PRESSURE HOSE ASSEMBLY	15-0221	1	49	QUICK CONNECT	17-0006	1
10	FRAME	21-0193	1	50	BUSHING	9-0037	1
11	KNOB	7-0168	6	51	SHEAVE	10-0049	1
12	DECAL - WARNING POTABLE WATER (E/S) (SEE 71-1020)	N/A	1	52	PUMP KEY	43-0048	1
13	ADAPTER	23-0365	2	53	KNOB	62-0057	4
14	RIVET	53-0009	2	54	WASHER	28-1045	4
15	DECAL-INLET (E/S) (SEE 71-1020)	N/A	1	55	TEE	23-0124	1
16	SWIVEL	23-0095	1	56	BARB	23-0045	1
17	DECAL - OUTLET (SEE 71-1020)	N/A	1	57	DECAL - RISK OF INJURY (SEE 71-1020)	N/A	3
18	FILTER	19-0001	1	58	DECAL - ON/OFF (SEE 71-1020)	N/A	1
19	LANYARD	33-0424	1	59	SWITCH	32-0801	1
20	QUICK CONNECT SOCKET	17-0029	1	60	NIPPLE	24-0002	1
21	SERVICE PANEL	21-0194	1	61	ELBOW	24-0046	1
22	DECAL - SERVICE PANEL (SEE 71-1020)	N/A	1	62	HOSE BARB	23-0120	1
23	GROMMET	33-0002	5	63	BOLT	27-5066	4
24	NOZZLE	18-0406	1	64	DECAL- SILVER STICKER	N/A	1
-	NOZZLE	18-0407	1	65	EDGING *(THREE FEET REQUIRED)	33-0020	1
-	NOZZLE	18-0408	1	66	UNLOADER	8-0361	1
-	NOZZLE	18-0409	1	67	ELBOW	24-0092	1
25	BOLT	27-9563	9	68	PRESSURE SWITCH	22-0171	1
26	WASHER	28-0123	20	69	STRAIN RELIEF	32-0437	2
27	NUT	30-5159	9	70	KEY	43-0078	1
28	BOLT	27-8471	4	71	MOTOR	2-0119	1
29	LOCKWASHER	29-0055	4	72	DECAL - 14" STRIPE (SEE 71-1020)	N/A	2
30	BOLT	27-0576	2	73	DECAL - Mi-T-M (SEE 71-1020)	N/A	2
31	TENSION BRACKET	20-0584A18	1	74	HOOD	21-0195	1
32	CLIP NUT	30-6025	2	75	DECAL-CAUT:HOT SUR/HOT DIS E/S (SEE 71-1020)	N/A	1
33	PUMP HAT	5-0153A18	1	76	ELECTRICAL LOCKNUT	32-0108	1
34	PUMP	3-0203	1	77	BRACKET	13-0227A01	1
35	RELIEF VALVE	22-0371	1	78	ELECTRIC BOX ASSEMBLY	851-0353	1
36	SAFETY VALVE	22-0376	1	79	ELECTRIC CORD	32-0215	1
37	BELT	11-0004	1	80	CABLE TIE	33-0022	1
38	SHEAVE	10-0066	1	81	TAG - WARNING RISK OF ELECTROCUTION	34-1035	1
39	BUSHING	9-0017	1	-	DECAL SET	71-1020	1
40	BOLT	27-0015	4	*MUST ORDER IN ONE FOOT LENGTHS			

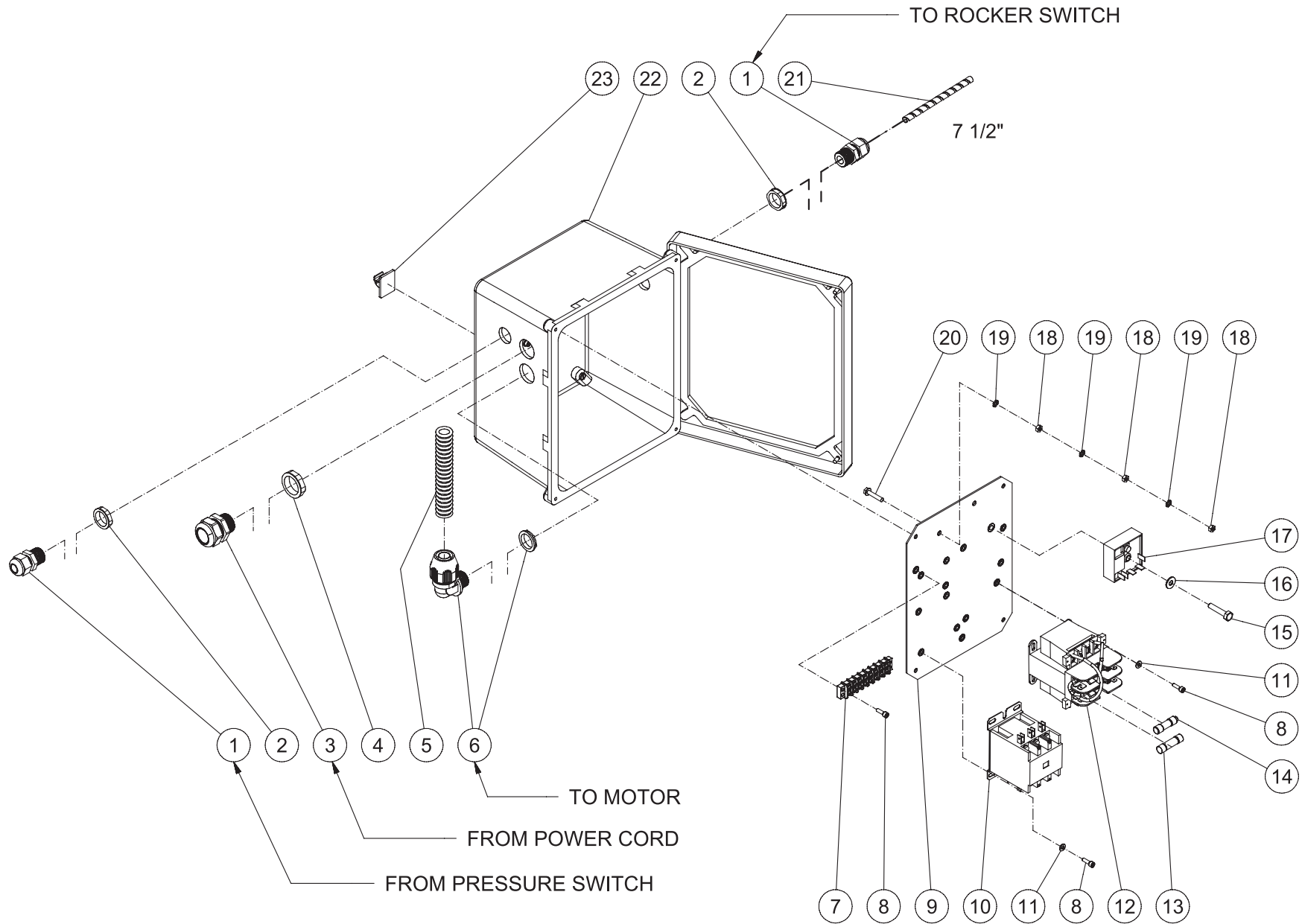
FRAME ASSEMBLY FOR CW-2004-SME1, CW-2004-SME3 AND CW-3004-SME3 (AFTER SERIAL #10165216)



CW-2004_3004-SME1_3_060214 MLK

FRAME ASSEMBLY						
ITEM	DESCRIPTION	PART #	QTY	ITEM	DESCRIPTION	PART # QTY
1	HOOD	21-0195	1	44	BOLT	27-8471 4
2	DECAL - RISK OF INJURY	N/A	3	45	TENSION BRACKET	20-0584A18 1
3	DECAL-CAUT: HOT SUR/HOT DIS E/S	N/A	1	46	WASHER	28-1045 4
4	DECAL - MI-T-M	N/A	2	47	KNOB	62-0057 4
5	DECAL - 14" STRIPE	N/A	2	48	BOLT	27-0576 2
6	CONDUIT *(TWO FEET REQUIRED) (3004 SME3)	32-0486	1	49	HOSE *(TWO FEET REQUIRED)	15-0007 1
-	CONDUIT *(TWO FEET REQUIRED) (2004 SME3)	32-0486	1	50	HOSE CLAMP	42-0011 4
-	CONDUIT *(TWO FEET REQUIRED) (2004 SME1)	32-0253	1	51	HOSE BARB	23-0120 1
7	CONDUIT ELBOW (3004 / 2004 SME3)	32-0487	1	52	PRESSURE SWITCH	22-0171 1
-	CONDUIT ELBOW (2004 SME1)	32-0254	1	53	GROMMET	33-0002 5
8	MOTOR - 8HP (3004 SME3)	2-0110	1	54	NOZZLE 00040 QC (3004)	18-0397 1
-	MOTOR - 6HP (2004 SME3)	2-0091	1	-	NOZZLE 15040 QC (3004)	18-0399 1
-	MOTOR - 6HP (2004 SME1)	2-0141	1	-	NOZZLE 25040 QC (3004)	18-0400 1
9	NUT	30-5159	13	-	NOZZLE 40040 QC (3004)	18-0401 1
10	WASHER	28-0123	28	-	NOZZLE 00055 QC (2004)	18-0410 1
11	BOLT	27-9563	13	-	NOZZLE 15055 QC (2004)	18-0411 1
12	DECAL- SILVER STICKER	N/A	1	-	NOZZLE 25055 QC (2004)	18-0412 1
13	EDGING *(THREE FEET REQUIRED)	33-0020	1	-	NOZZLE 40055 QC (2004)	18-0413 1
14	ELECTRICAL LOCKNUT	32-0292	1	55	DECAL - SERVICE PANEL	N/A 1
15	FRAME	21-0193	1	56	ELBOW	24-0046 1
16	CORD RELIEF	9-0046	1	57	BARB	23-0045 1
17	CORD *(SEVEN FEET REQUIRED) (3004 SME3)	32-0023	1	58	HOSE BARB	23-0418 2
-	CORD *(SEVEN FEET REQUIRED) (2004 SME3 / CX-0077)	32-0025	1	59	TEE	23-0124 1
-	GFCI - W/35' CORD & PLUG (2004 SME1)	32-0334	1	60	NIPPLE	24-0002 1
18	CABLE TIE	33-0022	1	61	90° ELBOW FITTING	24-0074 1
19	TAG - WARNING RISK OF ELECTROCUTION	N/A	1	62	UNLOADER	8-0361 1
20	PLUG (3004 SME3)	32-0037	1	63	ELBOW	24-0092 1
-	PLUG (2004 SME3)	32-0118	1	64	HOSE	15-0221 1
-	PLUG (CX-0076 / CX-0077)	32-0117	1	65	RELIEF VALVE	22-0371 1
21	LOCKNUT	30-5158	4	66	SAFETY VALVE	22-0376 1
22	WASHER	28-0122	4	67	BELT (3004)	11-0005 2
23	ISOLATOR	14-0008	4	-	BELT (2004)	11-0031 2
24	BOLT	27-5024	4	68	SHEAVE (3004)	10-0007 1
25	KNOB	7-0168	6	-	SHEAVE (2004)	10-0104 1
26	PLATE (3004 ONLY)	21-0240	1	69	BUSHING	9-0017 1
27	DECAL - WARNING POTABLE WATER (E/S)	N/A	1	70	BOLT	27-0015 4
28	ADAPTER	23-0365	2	71	KEY	43-0048 1
29	SWIVEL	23-0095	1	72	QUICK CONNECT	17-0005 1
30	FILTER	19-0001	1	73	GUN	16-0001 1
31	DECAL - INLET (E/S)	N/A	1	74	HIGH PRESSURE HOSE ASSEMBLY (Inc 75-77)	851-0262 1
32	DECAL - OUTLET	N/A	1	75	QC SOCKET	17-0004 1
33	RIVET	53-0009	2	76	HOSE	15-0146 1
34	SERVICE PANEL	21-0194	1	77	QUICK CONNECT	17-0006 1
35	LANYARD	33-0424	1	78	KEY	43-0078 1
36	QUICK CONNECT SOCKET	17-0029	1	79	BUSHING (3004)	9-0008 1
37	SWITCH	32-0801	1	-	BUSHING (2004)	9-0010 1
38	DECAL - ON/OFF	N/A	1	80	SHEAVE (3004)	10-0030 1
39	ELECTRIC BOX ASSY (2004 SME3)	851-0366	1	-	SHEAVE (2004)	10-0067 1
-	ELECTRIC BOX ASSY (3004 SME3)	851-0367	1	81	DUAL LANCE	16-0416 1
-	ELECTRIC BOX ASSY (2004 SME1)	851-0352	1	82	QC SOCKET	17-0028 1
40	PUMP	3-0202	1	83	NOZZLE	18-0110 1
41	PUMP HAT	5-0153A18	1	-	DECAL SET (2004)	71-1021 1
42	CLIP NUT	30-6025	2	-	DECAL SET (3004)	71-1022 1
43	LOCKWASHER	29-0055	4	*MUST ORDER IN ONE FOOT LENGTHS		

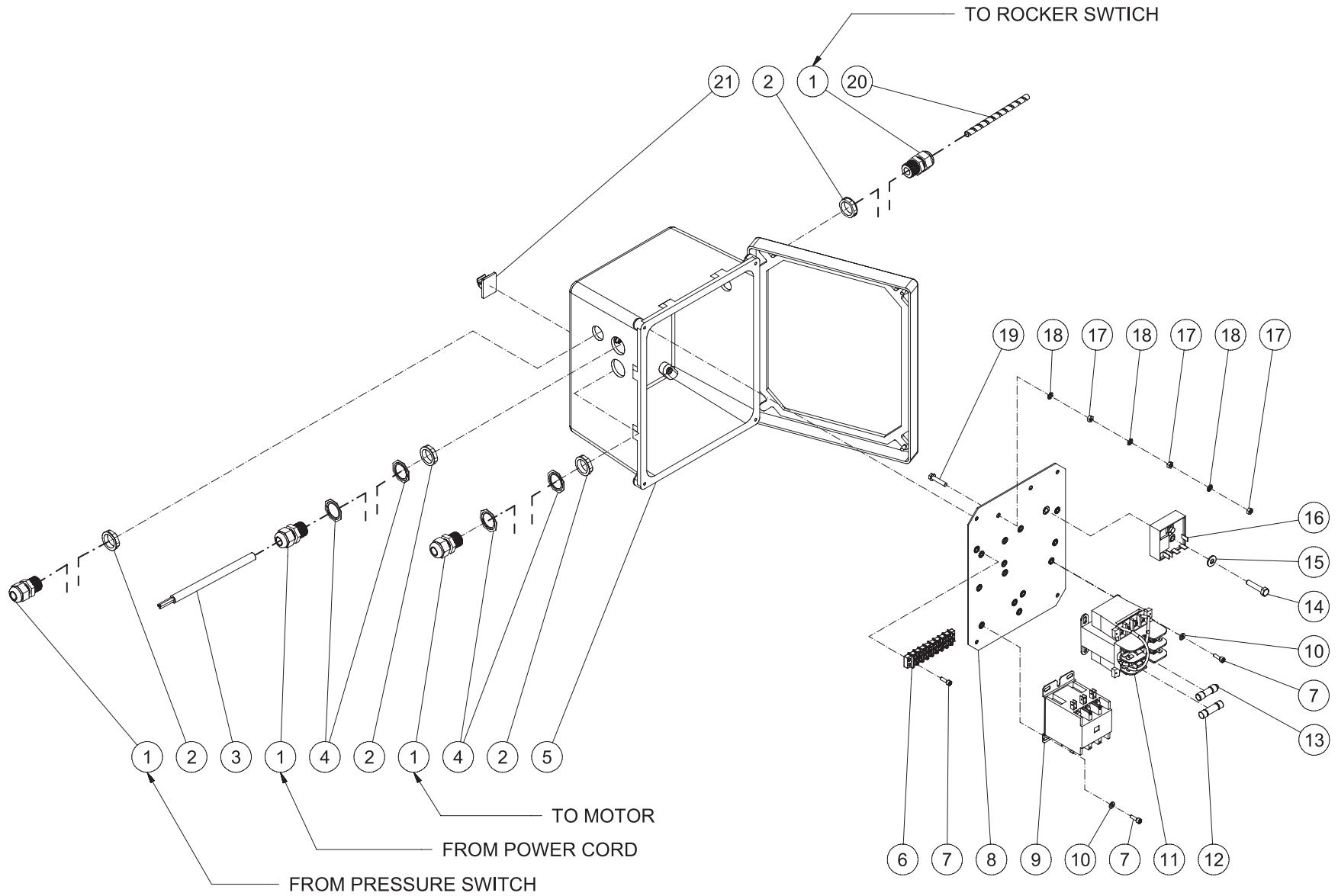
ELECTRIC BOX ASSEMBLY (851-0352)



851-0352-080913-RAG

851-0352 080913 RAG			
ELECTRIC BOX ASSEMBLY			
ITEM	TITLE	Mi-T-M #	QTY
1	STRAIN RELIEF	32-0437	2
2	ELECTRICAL LOCKNUT	32-0108	2
3	CORD RELIEF	9-0046	1
4	ELECTRICAL LOCKNUT	32-0292	1
5	CONDUIT FLEX *(TWO FEET REQUIRED)	32-0253	1
6	CONDUIT ELBOW	32-0254	1
7	TERMINAL STRIP	32-0436	1
8	SCREW	27-8835	6
9	CONTROL PANEL	20-0723A06	1
10	CONTACTOR	32-0810	1
11	WASHER	28-0010	4
12	TRANSFORMER	32-0324	1
13	FUSE	32-1055	1
14	FUSE 0.5A	32-0467	2
15	BOLT	27-0017	1
16	WASHER	28-0002	1
17	TIMER SWITCH	32-0800	1
18	NUT	30-6001	3
19	STAR WASHER	28-1009	3
20	BOLT	27-8807	1
21	WRAP *(ONE FOOT REQUIRED)	33-0114	1
22	ELECTRICAL BOX	32-0799	1
23	WIRE CLIP	33-0264	1
*MUST ORDER IN ONE FOOT LENGTHS			

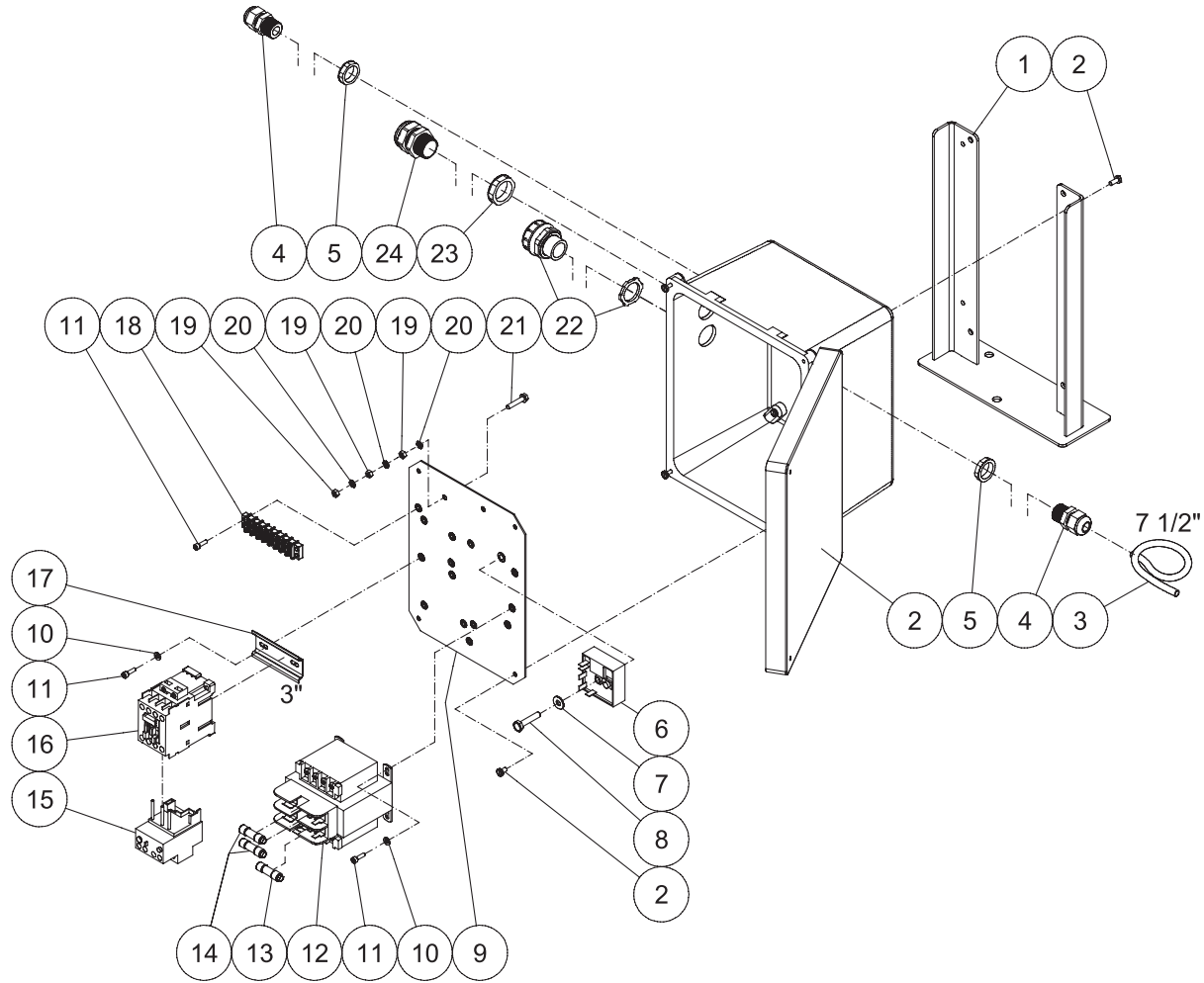
ELECTRIC BOX ASSEMBLY (851-0353)



851-0353 080913 RAG

851-0353 080913 RAG			
ELECTRIC BOX ASSEMBLY			
ITEM	TITLE	Mi-T-M #	QTY
1	STRAIN RELIEF	32-0437	4
2	ELECTRICAL LOCKNUT	32-0108	4
3	CORD *(TWO FEET REQUIRED)	32-0440	1
4	WASHER	32-0814	4
5	ELECTRICAL BOX	32-0799	1
6	TERMINAL STRIP	32-0436	1
7	SCREW	27-8835	6
8	CONTROL PANEL	20-0723A06	1
9	CONTACTOR	32-0810	1
10	WASHER	28-0010	4
11	TRANSFORMER	32-0324	1
12	FUSE	32-1055	1
13	FUSE 0.5A	32-0467	2
14	BOLT	27-0017	1
15	WASHER	28-0002	1
16	TIMER SWITCH	32-0800	1
17	NUT	30-6001	3
18	STAR WASHER	28-1009	3
19	BOLT	27-8807	1
20	WRAP *(ONE FOOT REQUIRED)	33-0114	1
21	WIRE CLIP	33-0264	1
*MUST ORDER IN ONE FOOT LENGTHS			

ELECTRIC BOX ASSEMBLY (851-0366 AND 851-0367)

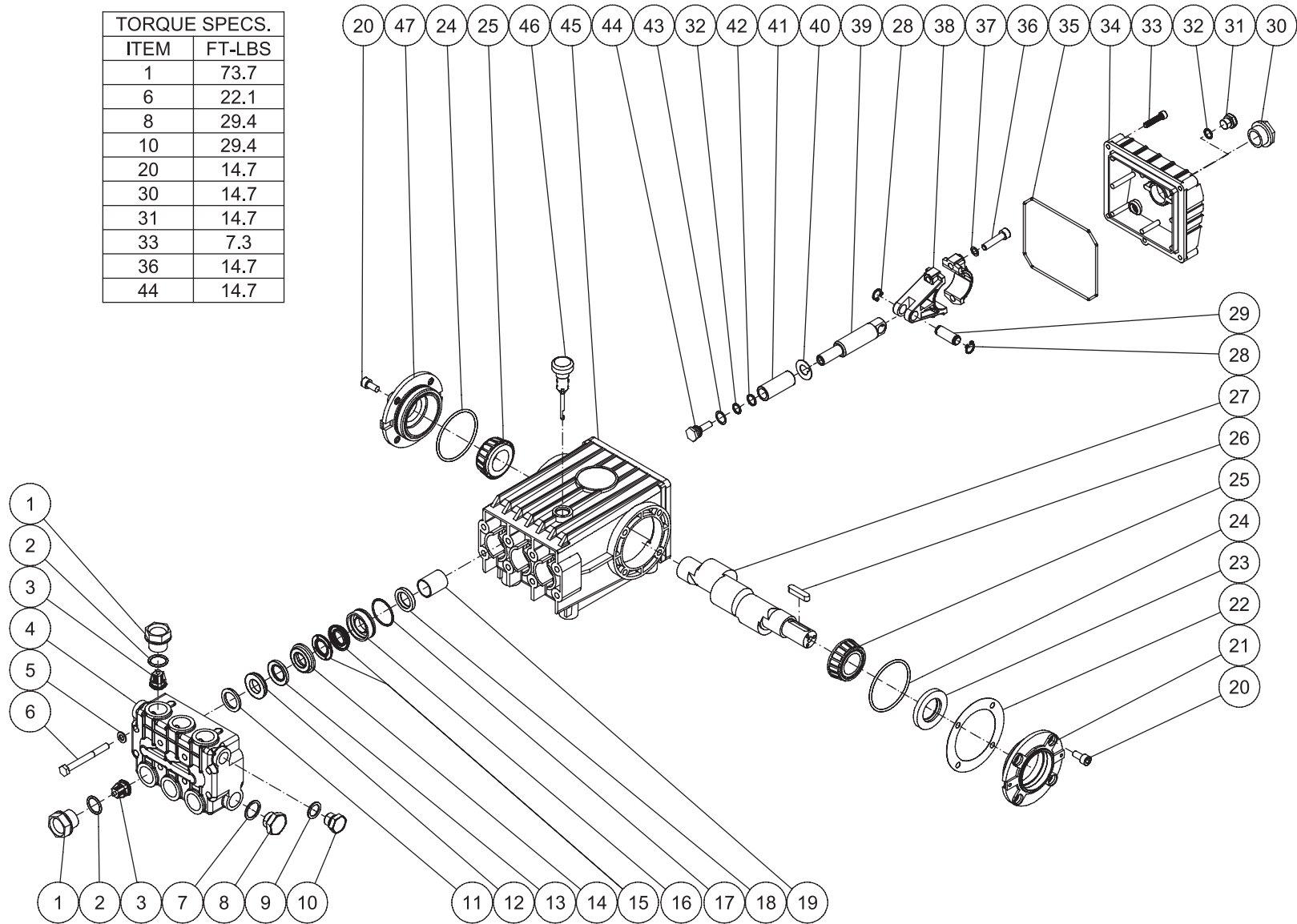


851-0366_67 051414 MLK

851-0366/67 051414 MLK			
ELECTRIC BOX ASSEMBLY			
ITEM	DESCRIPTION	Mi-T-M #	QTY
1	BRACKET	13-0227A01	1
2	ELECTRICAL BOX	32-0799	1
3	WRAP *(ONE FOOT REQUIRED)	33-0114	1
4	STRAIN RELIEF	32-0437	2
5	ELECTRICAL LOCKNUT	32-0108	2
6	TIMER SWITCH	32-0800	1
7	WASHER	28-0002	1
8	BOLT	27-0017	1
9	CONTROL PANEL	20-0723A06	1
10	WASHER	28-0010	4
11	SCREW	27-8835	6
12	TRANSFORMER	32-0735	1
13	FUSE	32-0743	1
14	FUSE (230V)	32-0740	2
-	FUSE (480V)	32-0467	2
15	OVERLOAD RELAY (2004-SME3 / CX-0076/77) (230V)	32-0482	1
-	OVERLOAD RELAY (CX-0076) (480V)	32-0481	1
-	OVERLOAD RELAY (3004-SME3 / CX-0077) (230V)	32-1076	1
16	CONTACTOR (2004-SME3)	32-0329	1
-	CONTACTOR (3004-SMES / CX-0077) (230V)	32-0597	1
-	CONTACTOR (CX-0077) (480V)	32-0327	1
17	DIN RAIL *(ONE FOOT REQUIRED)	32-0316	1
18	TERMINAL STRIP	32-0436	1
19	NUT	30-6001	3
20	STAR WASHER	28-1009	3
21	BOLT	27-8807	1
22	CONDUIT STRAIGHT	32-0488	1
23	ELECTRICAL LOCKNUT	32-0292	1
24	CORD RELIEF	9-0046	1
*MUST ORDER IN ONE FOOT LENGTHS			

PUMP ASSEMBLY (3-0202 AND 3-0203)

TORQUE SPECS.	
ITEM	FT-LBS
1	73.7
6	22.1
8	29.4
10	29.4
20	14.7
30	14.7
31	14.7
33	7.3
36	14.7
44	14.7

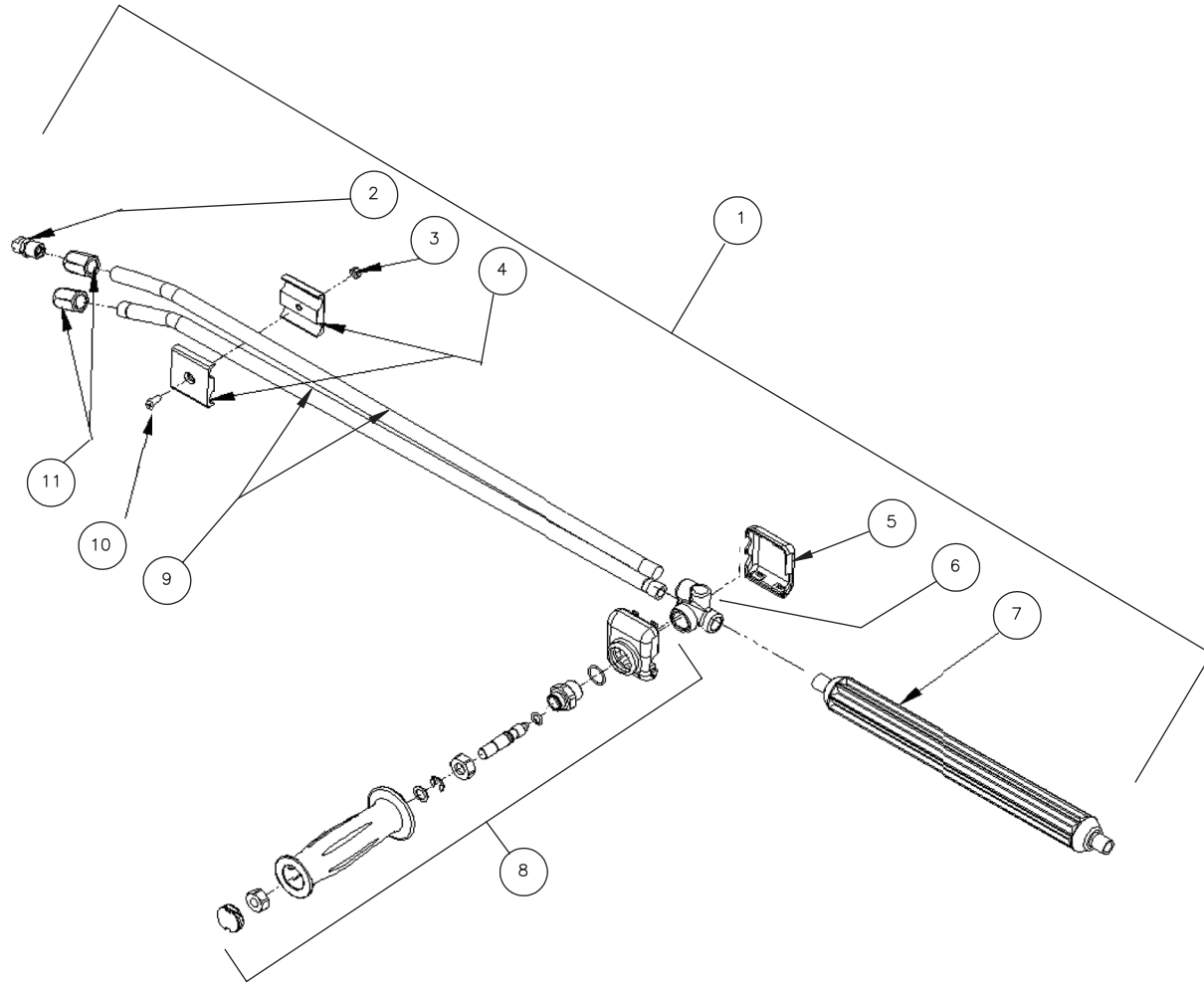


3-0202_3-0203 082713 JDK

PUMP ASSEMBLY							
ITEM	DESCRIPTION	PART #	QTY	ITEM	DESCRIPTION	PART #	QTY
1	VALVE CAP	46-0889	6	25	BEARING	48-0012	2
2	O-RING	25-0012	6	26	KEY	43-0048	1
3	VALVE (SEE KIT 70-0009)	SEE KIT	6	27	CRANKSHAFT	N/A	1
4	MANIFOLD	46-0890	1	28	RETAINING RING	46-0103	6
5	WASHER	28-1039	8	29	CONNECTING ROD PIN	43-0032	3
6	BOLT	27-8185	8	30	OIL LEVEL INDICATOR	46-0114	1
7	WASHER	28-1038	2	31	PLUG	39-0017	1
8	PLUG	39-0019	2	32	O-RING	25-0014	4
9	WASHER	28-1002	2	33	BOLT	27-8404	5
10	PLUG	39-0018	2	34	CRANKCASE OPEN COVER	46-0295	1
11	HEAD RING (SEE KIT 70-0030 AND 852-0122)	SEE KIT	3	35	O-RING	25-0339	1
12	V-PACKING SUPPORT (SEE KIT 70-0147 AND 852-0122)	SEE KIT	3	36	BOLT	27-8435	6
13	O-RING (SEE KIT 70-0147 AND 70-0148 AND 852-0122)	SEE KIT	3	37	LOCKWASHER	29-0154	6
14	HIGH PRESSURE INTERMEDIATE SEAL RETAINER (SEE KIT 70-0148)	SEE KIT	3	38	CONNECTING ROD	46-0051	3
15	PRESSURE SEAL (SEE KIT 70-0147 AND 852-0122)	SEE KIT	3	39	PISTON ROD	46-0056	3
16	LOW PRESSURE SEAL RETAINER	46-0057	3	40	SLINGER WASHER	46-0146	3
17	O-RING (SEE KIT 852-0122)	SEE KIT	3	41	PLUNGER	46-0052	3
18	OIL SEAL	26-0047	3	42	BACK-UP RING	46-0109	3
19	BUSHING	9-0029	3	43	WASHER	28-0400	3
20	BOLT	27-8431	8	44	NUT / PISTON	46-0069	3
21	CRANKCASE COVER	46-0296	1	45	CRANKCASE	46-0047	1
22	SHIM	46-0113	1	46	OIL DIP STICK	46-0144	1
23	OIL SEAL	26-0049	1	47	CRANKCASE COVER	46-0336	1
24	O-RING	25-0013	2				

REPLACEMENT KITS				
KIT#	DESCRIPTION	ITEMS	# OF ASSEMBLIES	# OF CYLINDERS
70-0009	VALVES	3	6	3
70-0030	HEAD RING	11	3	3
70-0147	V-PACKING	12, 13, 15	3	3
70-0148	INTERMEDIATE RETAINER	13, 14	3	3
852-0122	V-PACKING ASSY	11-13, 15, 17	3	3

DUAL LANCE ASSEMBLY (16-0416)

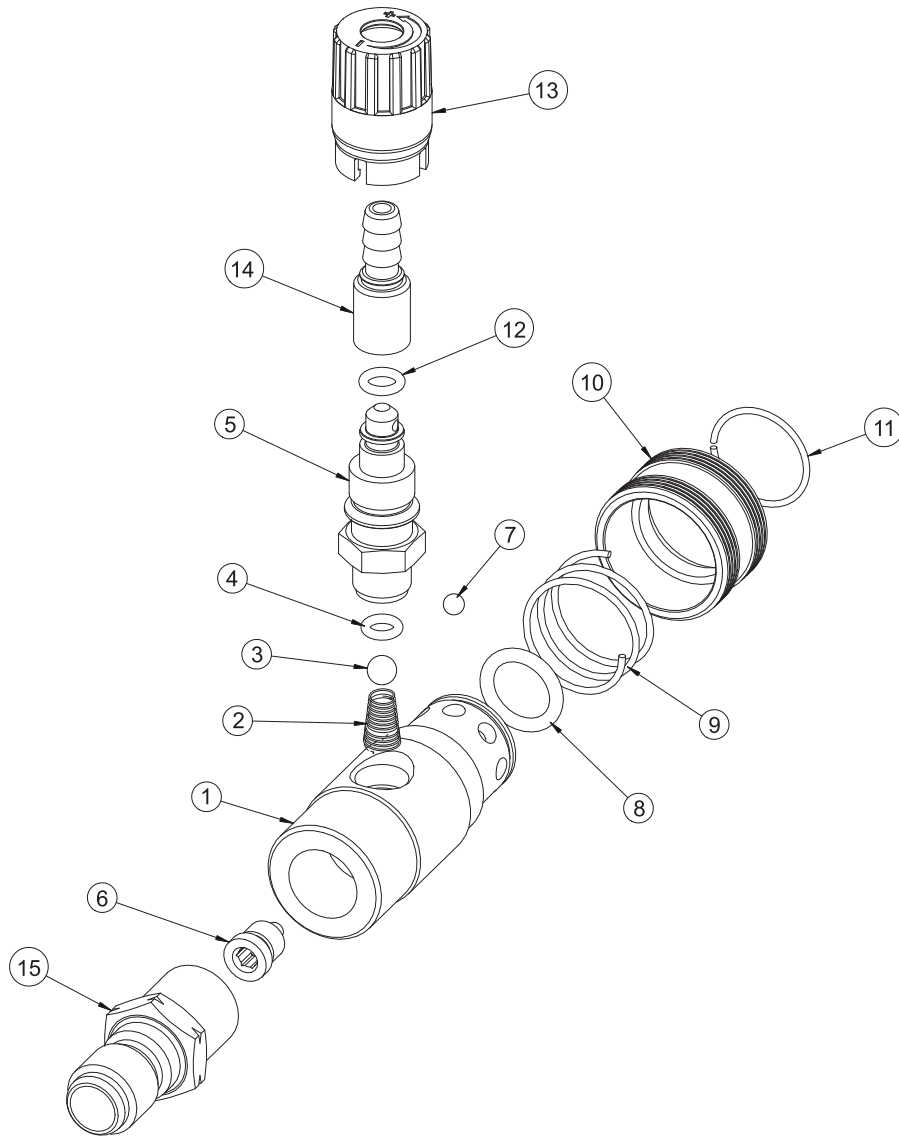


16-0416_16-0417-102405-RZ

DUAL LANCE ASSEMBLY (16-0416)			
REF. #	DESCRIPTION	PART #	QTY.
1	Dual Lance Assembly - 36" (Inc. 2-11)	16-0416	1
2	Detergent Nozzle	18-0110	1
3	Nut	30-6001	1
4	Clamp	16-0420	2
5	Lower Valve Cover (See 16-0416)	N/A Sep.	1
6	Housing (See 16-0416)	N/A Sep.	1
7	Lance	16-0419	1
8	Handle Repair Kit	70-0419	1
9	Lance (See 16-0416)	N/A Sep.	2
10	Screw	27-8196	1
11	Nozzle Adapter	24-0280	2

DETERGENT INJECTOR (AW-8400-0021)

AW-8400 ASSEMBLY

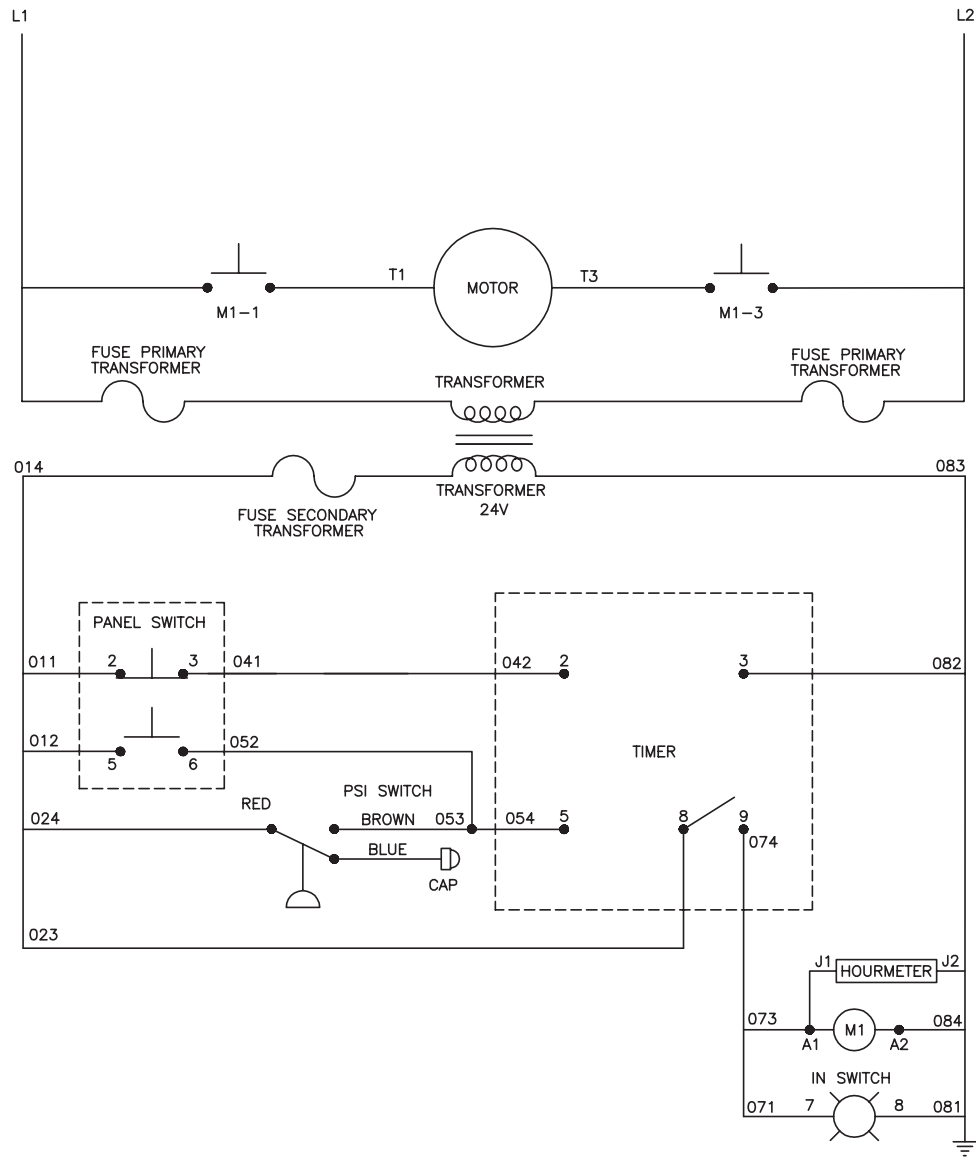


DETERGENT INJECTOR REPAIR KIT (70-0395)			
REF. #	DESCRIPTION	PART #	QTY.
1	Injector Housing	N/A	1
2	Spring (See 70-0395)	N/A Sep.	1
3	Injector Ball (See 70-0395)	N/A Sep.	1
4	O-ring (See 70-0395)	N/A Sep.	1
5	Hose Barb	N/A	1
6	Injector Nozzle	N/A	1
7	Ball	N/A	8
8	O-ring (See 70-0395)	N/A Sep.	1
9	Spring	N/A	1
10	Collar	N/A	1
11	Retaining Ring	N/A	1
12	O-ring (See 70-0395)	N/A Sep.	1
13	Adjustable Hose Barb Knob	N/A	1
14	Adjustable Hose Barb	N/A	1
15	Nipple	N/A	1
	Injector Repair Kit (Inc. 2, 3, 4, 8, 12)	70-0395	

AW-8400 ASSEMBLY-DCE

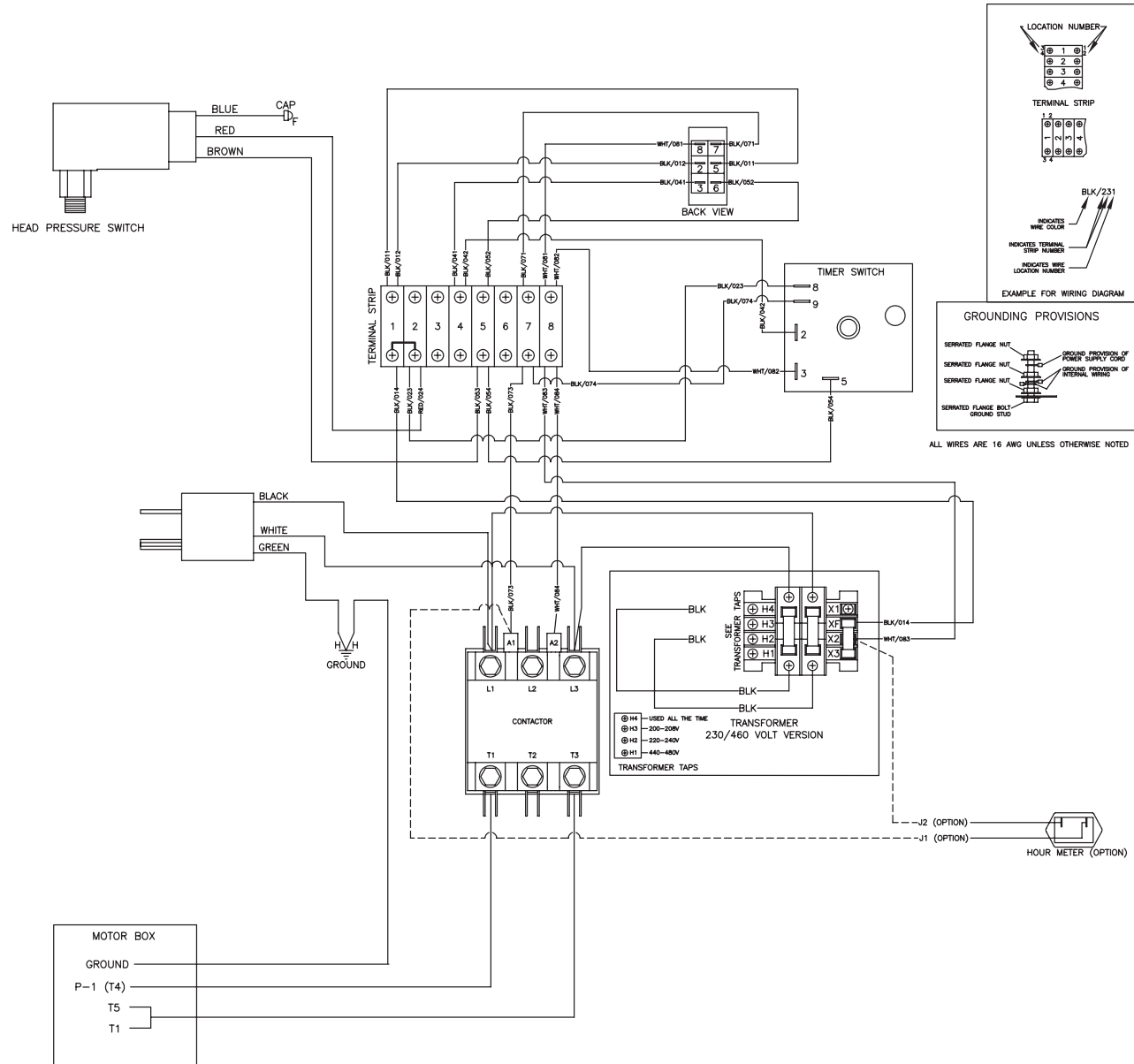
NOTES

CW-1003-2004-SME1 115V-230V WIRING SCHEMATIC (AFTER SERIAL #10495457)



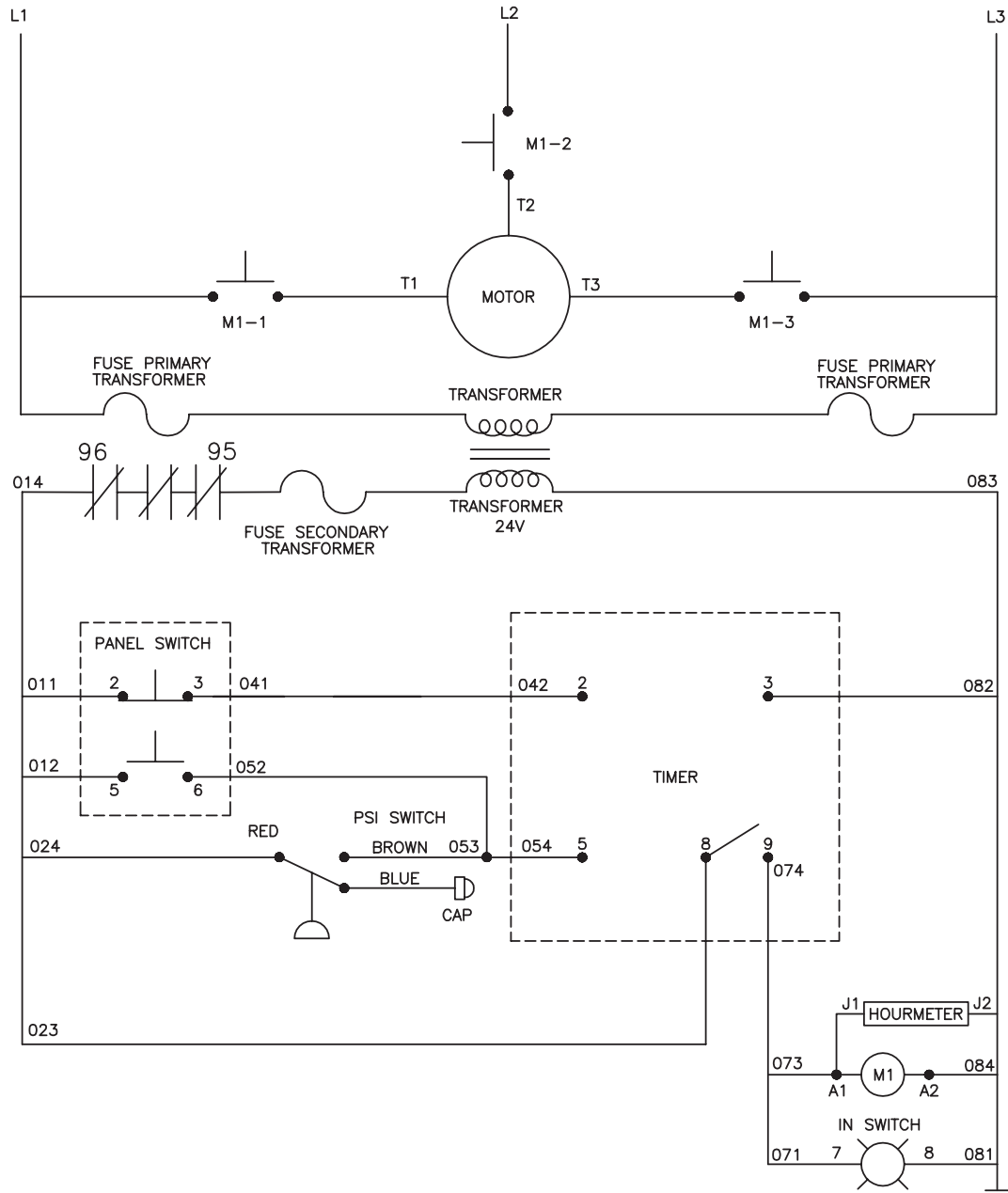
CW-1003-2004-SME1 115V-230V WIRE SCHEMATIC 110510

CW-1003-2004-SME1 115V-230V WIRING DIAGRAM (AFTER SERIAL #10495457)



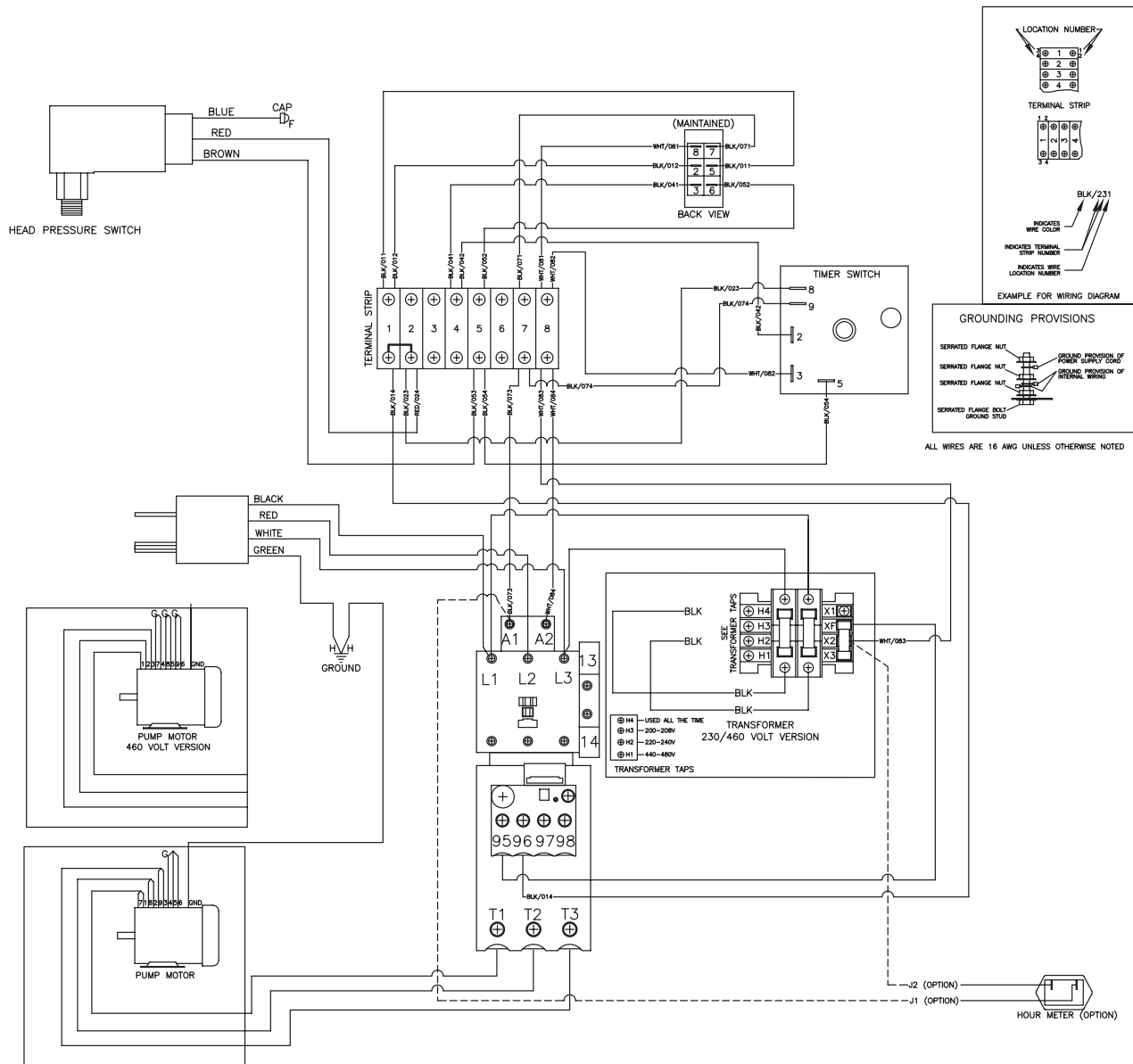
CW-1003-2004-SME1 115V-230V WIRE DIAGRAM 110510

CW-2004-SME3 WIRING SCHEMATIC (AFTER SERIAL #10495457)



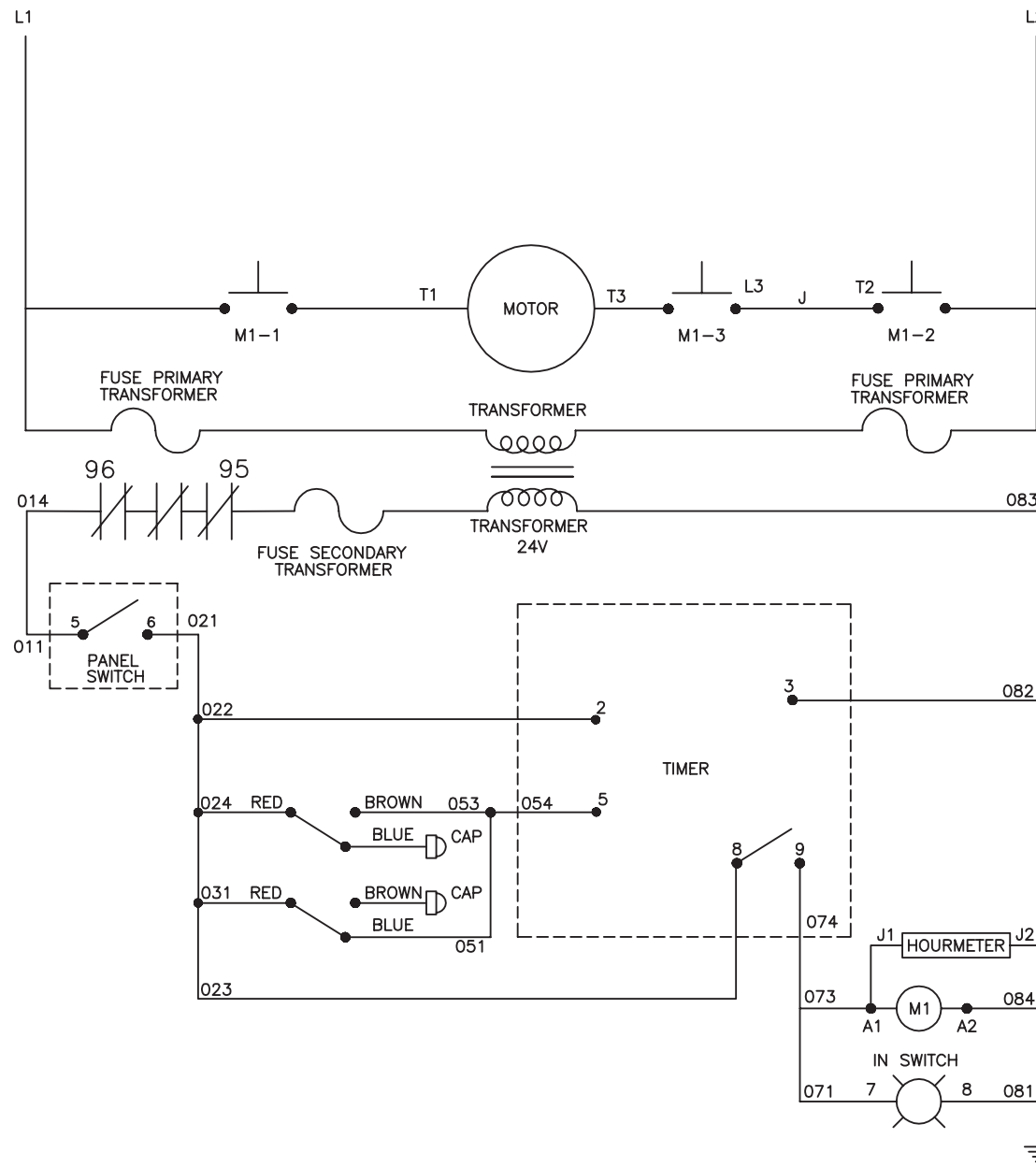
CW-2004-SME3 WIRE SCHEMATIC 110510

CW-2004-SME3 WIRING DIAGRAM (AFTER SERIAL #10495457)



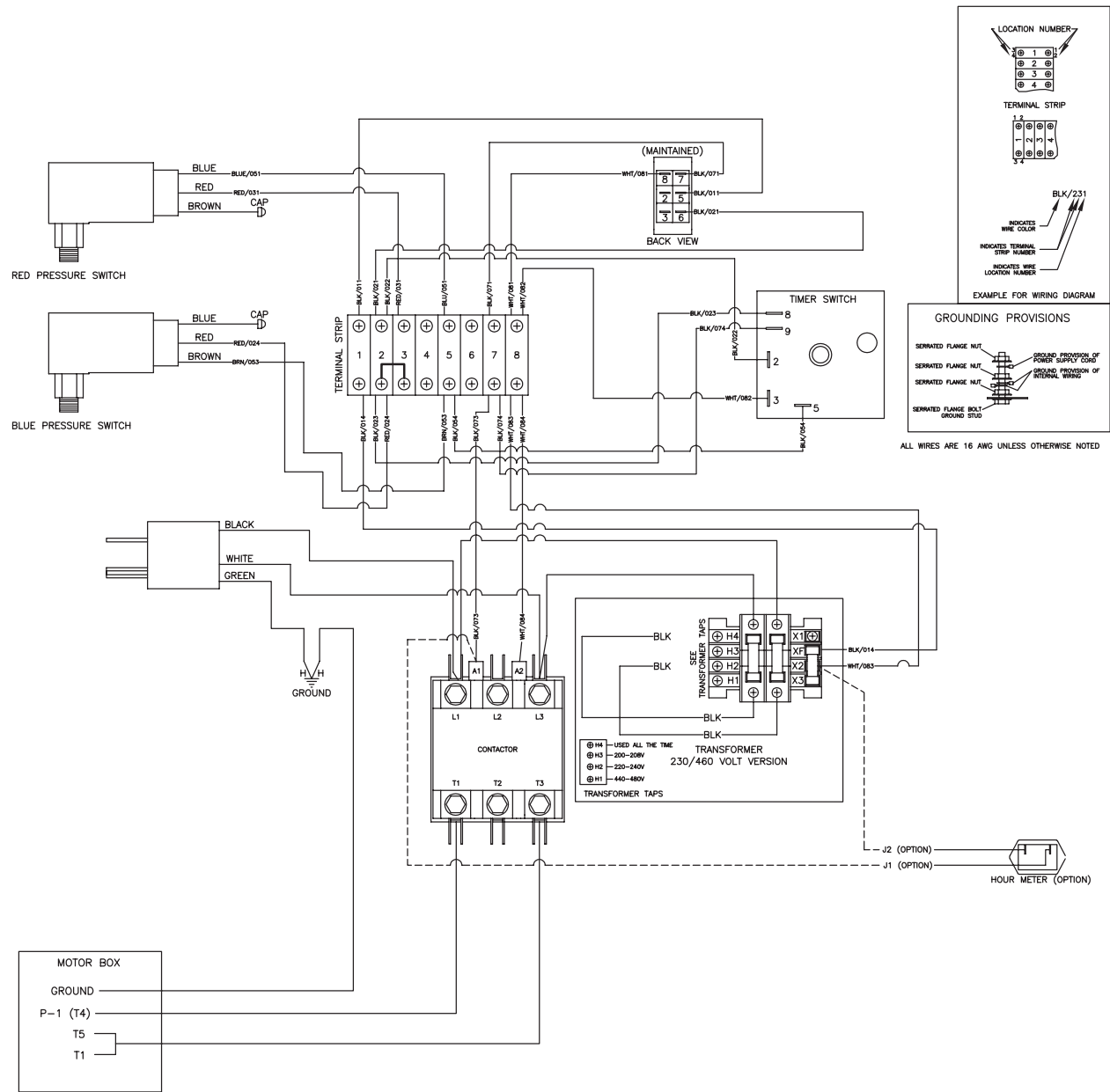
CW-2004-SME3 WIRE DIAGRAM 110510

WIRING SCHEMATIC - AUTO START/STOP, 1 PHASE (CX-0069) (AFTER SERIAL #10495457)



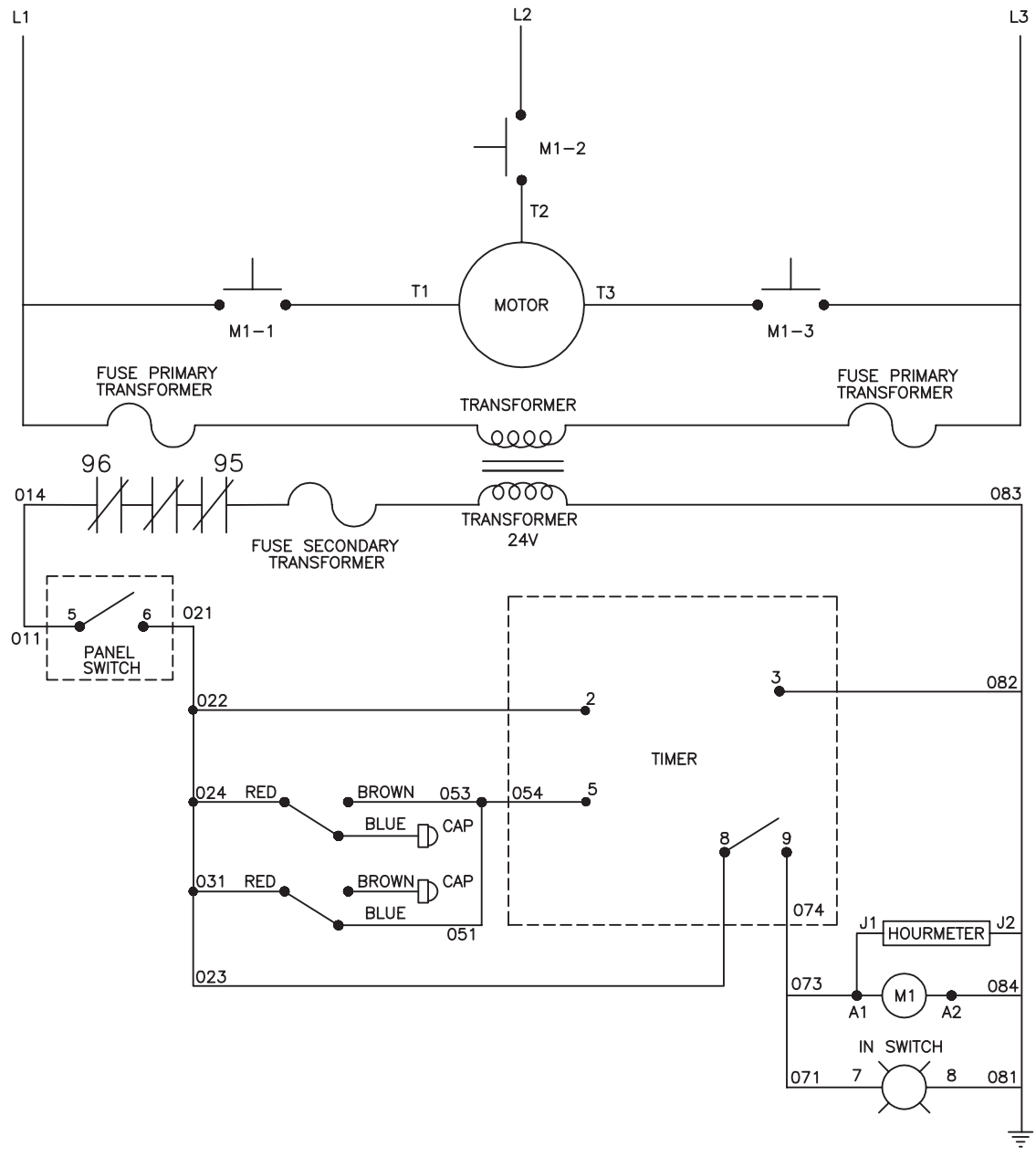
WIRE SCHEMATIC - AUTO SS 1 PHASE (CX-0069) 110510

WIRING DIAGRAM - AUTO START/STOP, 1 PHASE (CX-0069) (AFTER SERIAL #10495457)



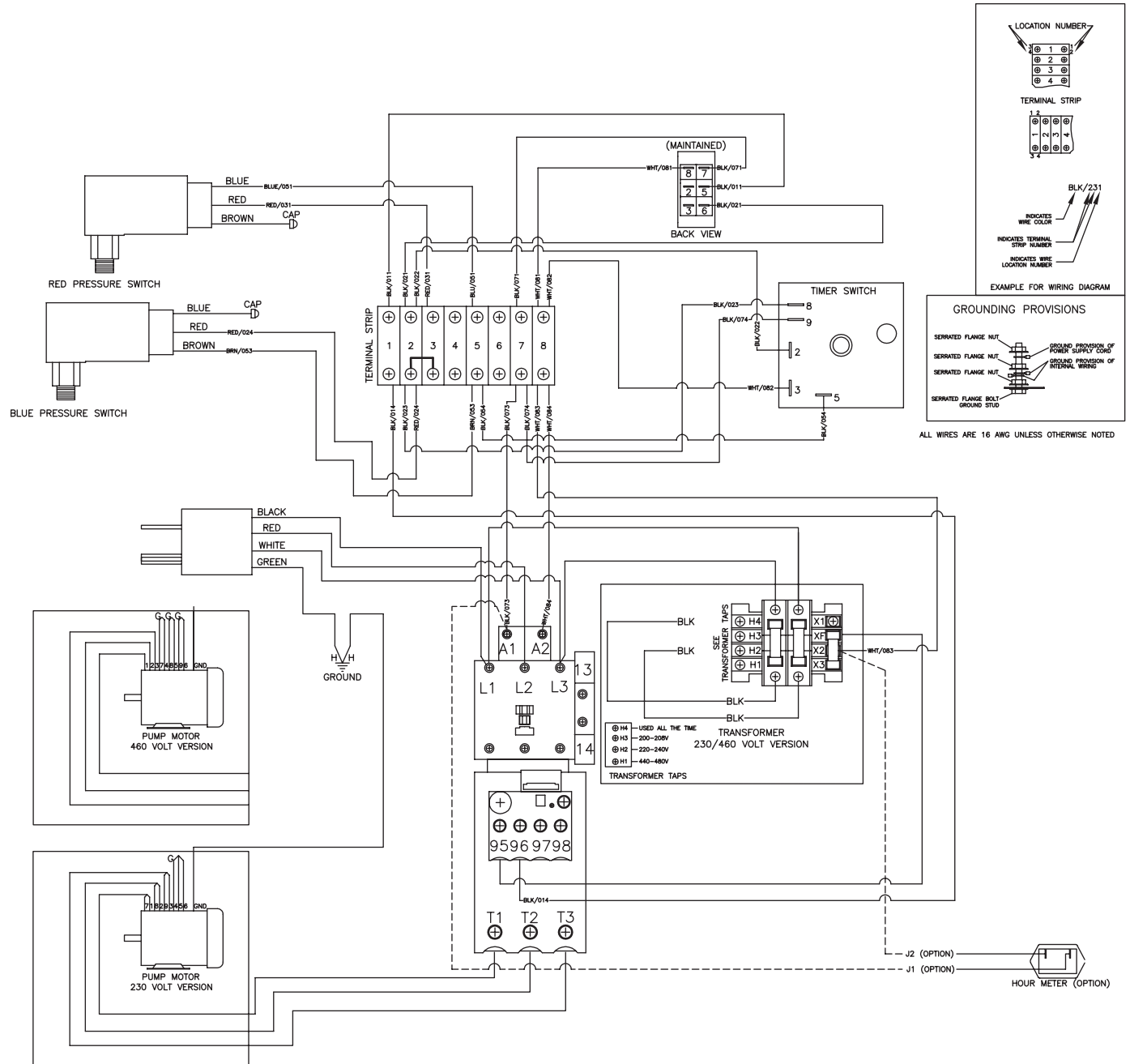
WIRE DIAGRAM - AUTO SS 1 PHASE (CX-0069) 110510

WIRING SCHEMATIC - AUTO START/STOP, 3 PHASE (CX-0069 AND CX-0076) (AFTER SERIAL #10495457)



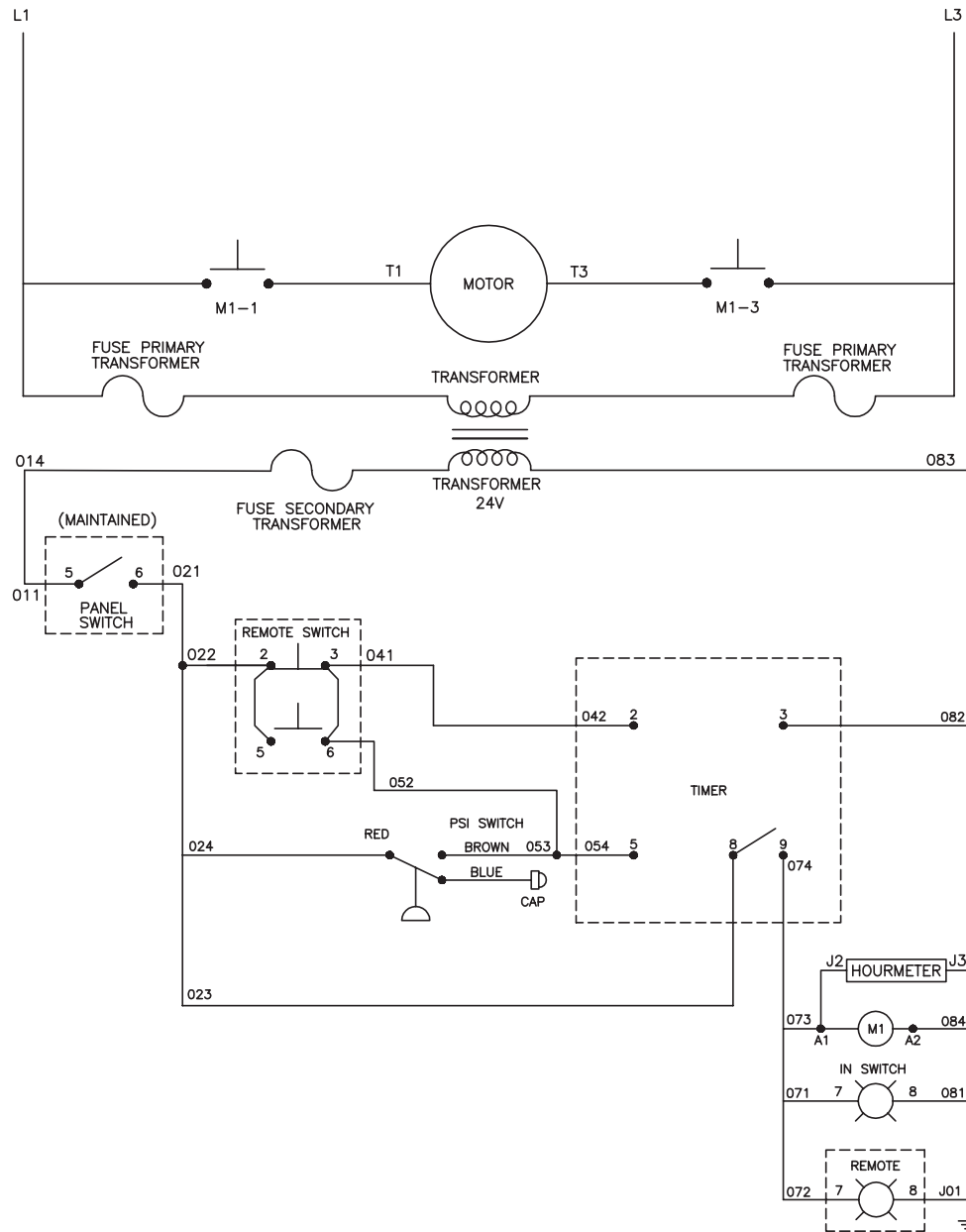
WIRE SCHEMATIC - AUTO SS 3 PHASE (CX-0069_CX-0076) 110510

WIRING DIAGRAM - AUTO START/STOP, 3 PHASE (CX-0069 AND CX-0076) (AFTER SERIAL #10495457)



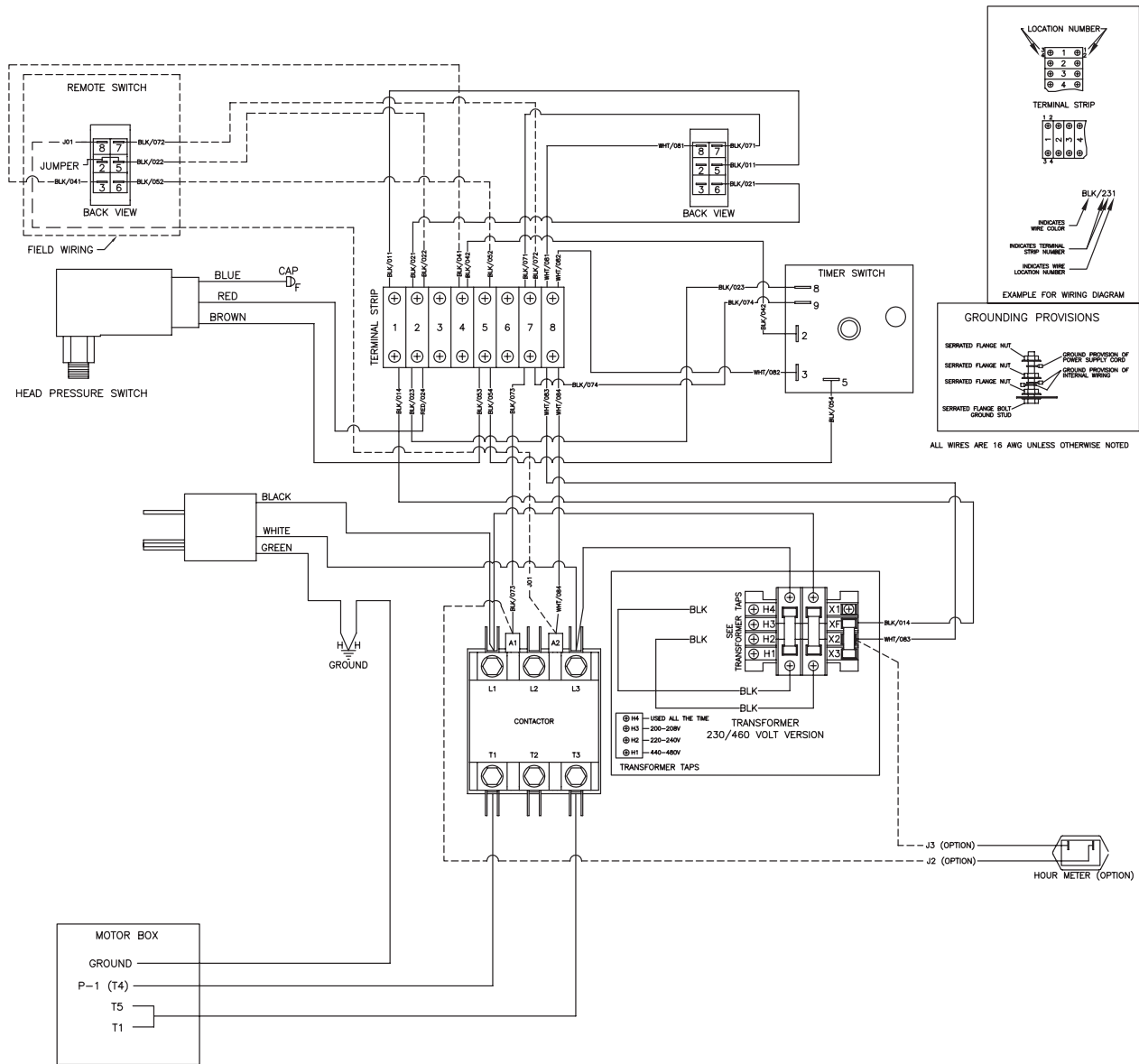
WIRE DIAGRAM - AUTO SS 3 PHASE (CX-0069_CX-0076) 110510

WIRING SCHEMATIC - REMOTE BOX, 1 PHASE (CX-0078) (AFTER SERIAL #10495457)



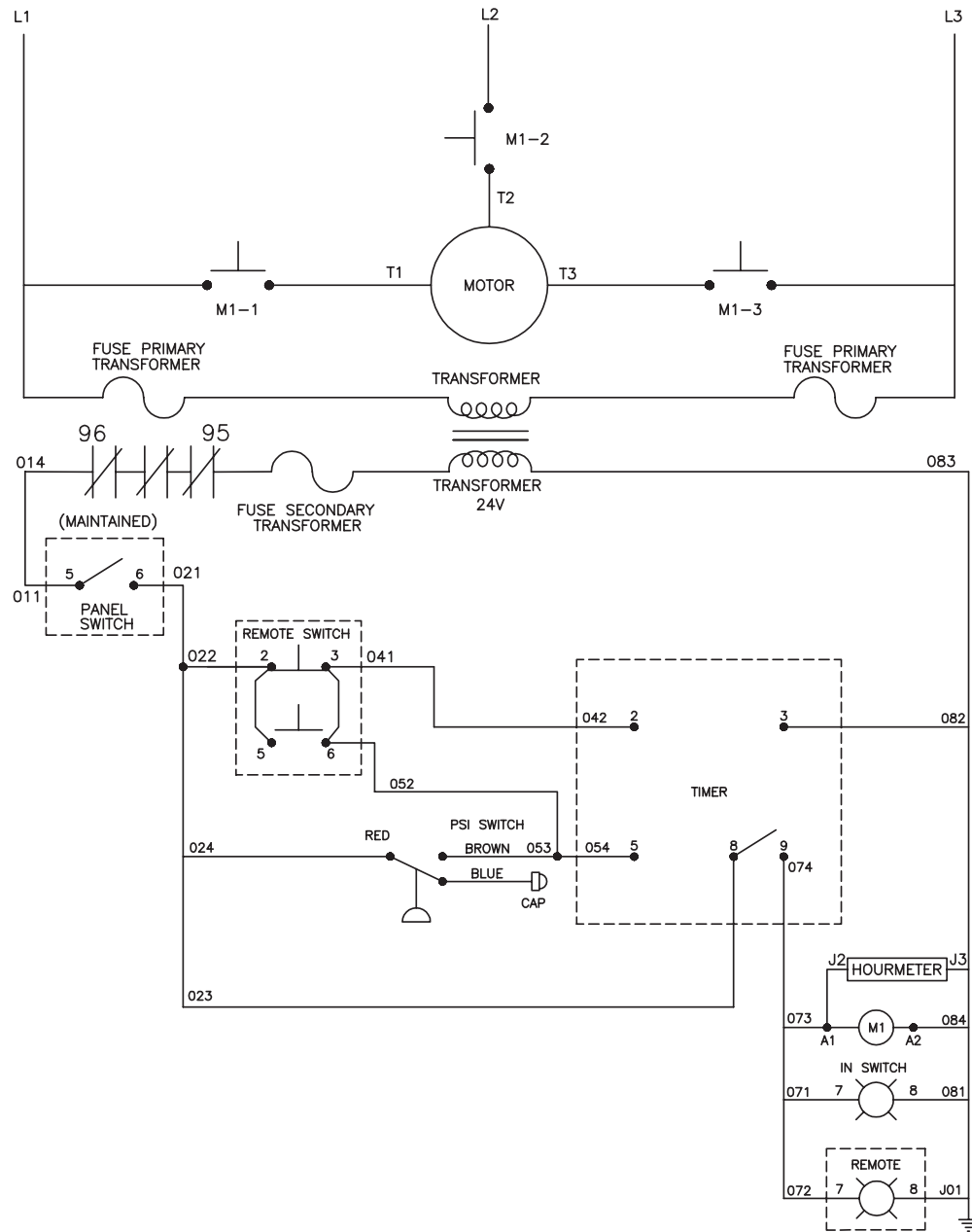
WIRE SCHEMATIC - RB 1 PHASE (CX-0078)_091813

WIRING DIAGRAM - REMOTE BOX, 1 PHASE (CX-0078) (AFTER SERIAL #10495457)



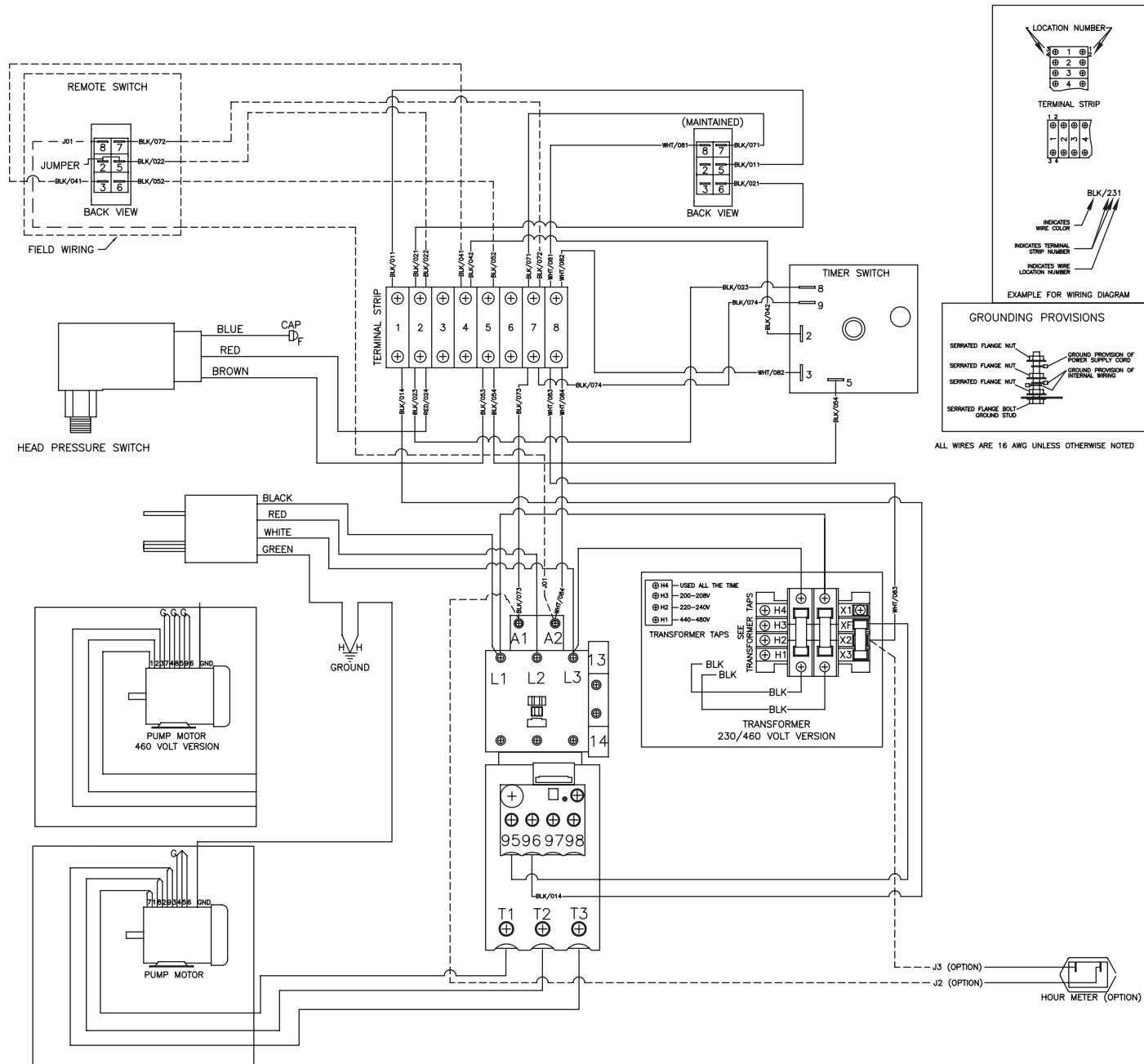
WIRE DIAGRAM - RB 1 PHASE (CX-0078)_091813

WIRE SCHEMATIC - REMOTE BOX 3 PHASE (CX-0078 AND CX-0076) (AFTER SERIAL #10495457)



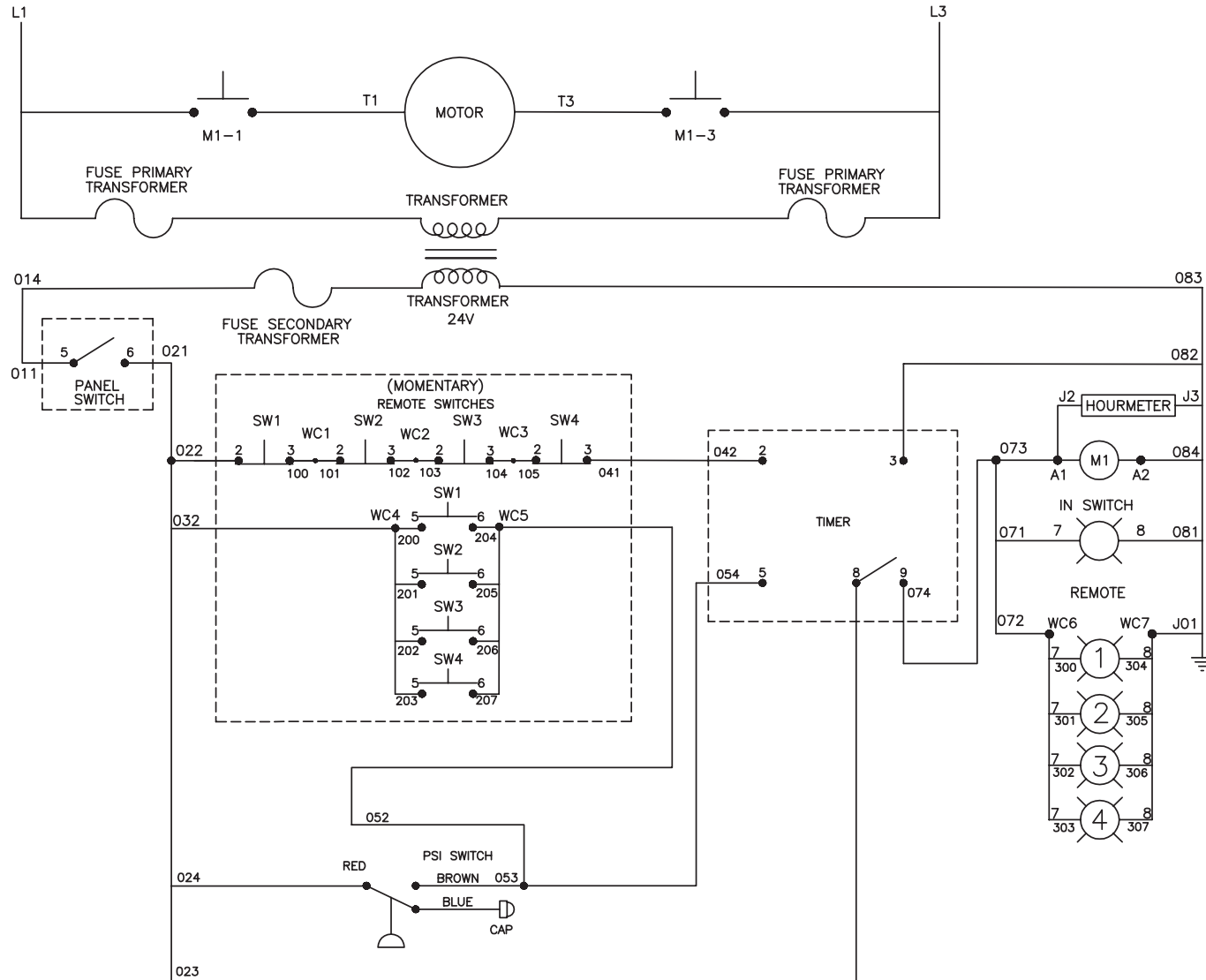
WIRE SCHEMATIC - RB 3 PHASE (CX-0078_CX-0076) 091813

WIRE DIAGRAM - REMOTE BOX 3 PHASE (CX-0078 AND CX-0076) (AFTER SERIAL #10495457)



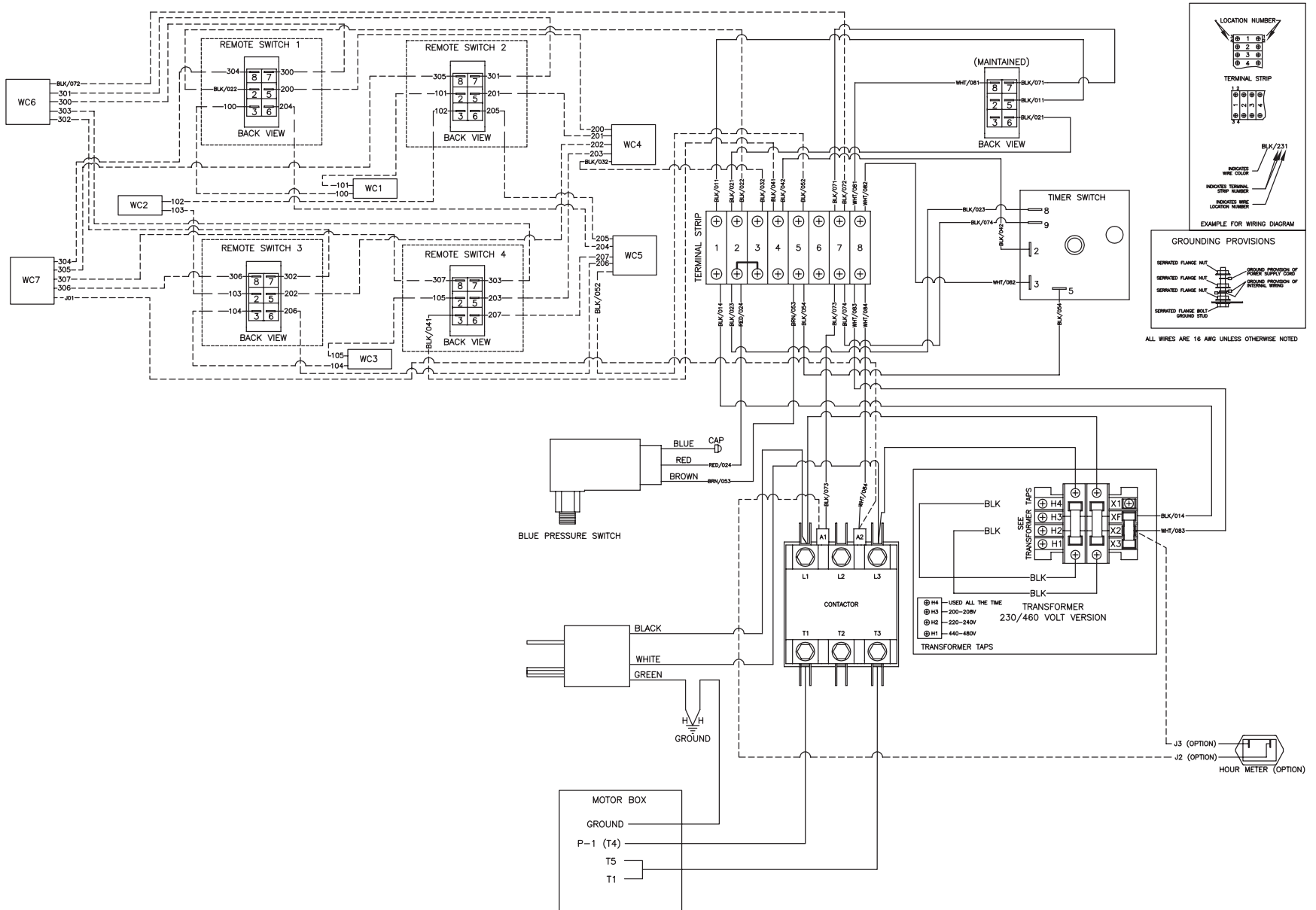
WIRE DIAGRAM - RB 3 PHASE (CX-0078_CX-0076) 091813

WIRING SCHEMATIC - MULTI REMOTE BOX - 1 PHASE (CX-0078) (AFTER SERIAL #10495457)



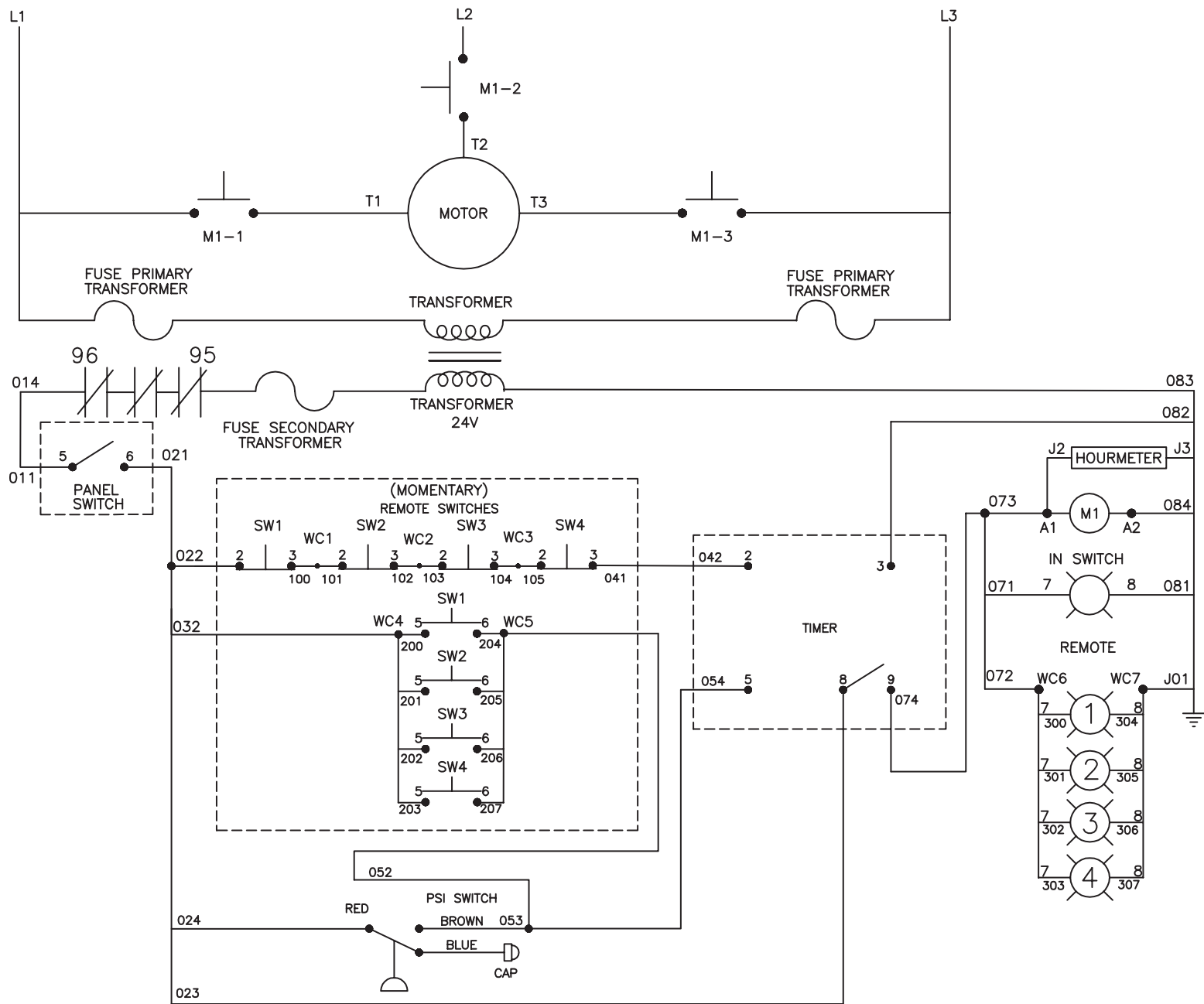
WIRE SCHEMATIC - RB MULTI 1 PHASE (CX-0078) 091813

WIRING DIAGRAM - MULTI BOX - 1 PHASE (CX-0078) (AFTER SERIAL #10495457)



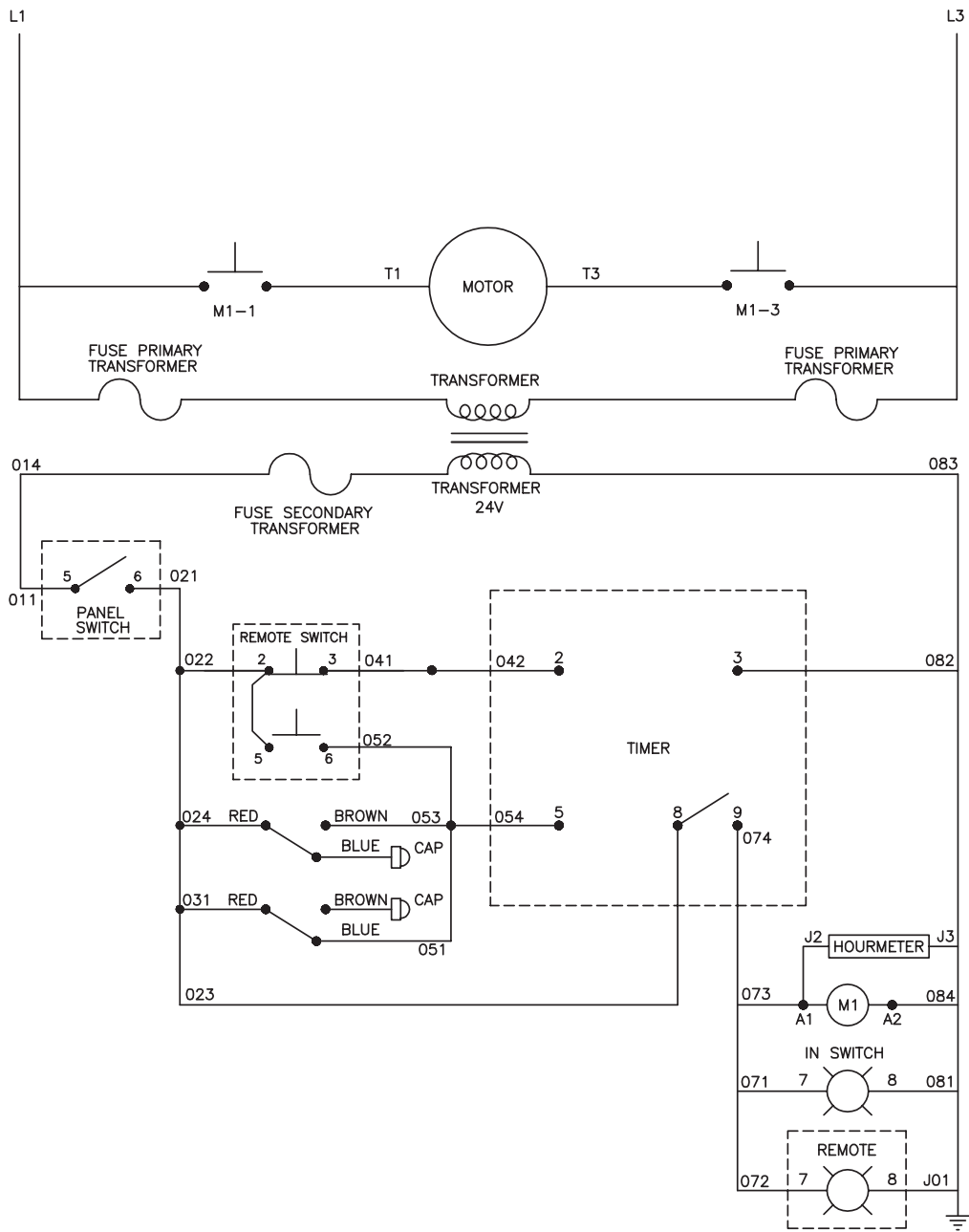
WIRE DIAGRAM - RB MULTI 1 PHASE (CX-0078) 091813

WIRING SCHEMATIC - MULTI REMOTE BOX, 3 PHASE (CX-0078 AND CX-0076) (AFTER SERIAL #10495457)



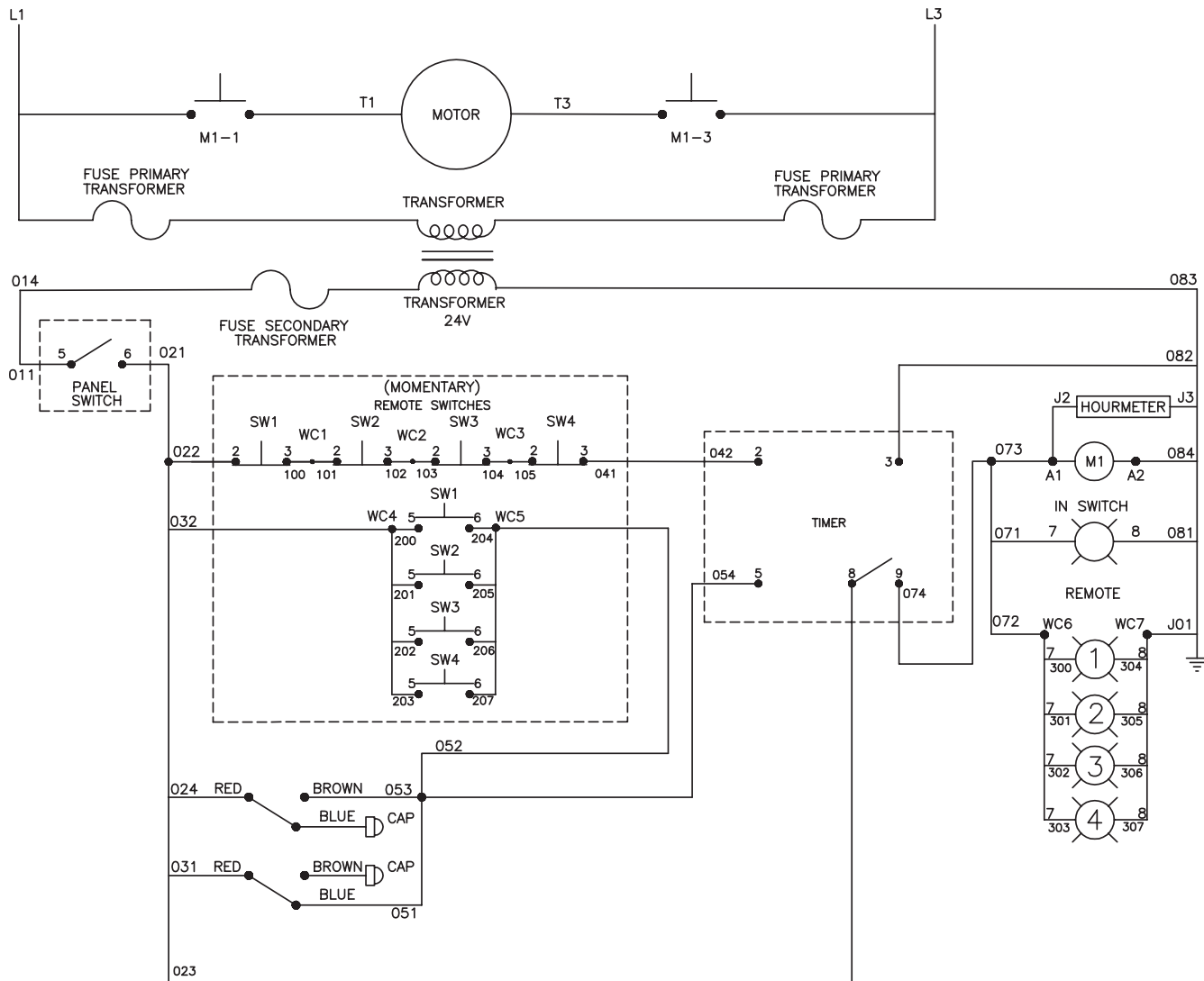
WIRE SCHEMATIC - RB MULTI 3 PHASE (CX-0078_CX-0076) 091813

WIRING SCHEMATIC - AUTO START/STOP AND REMOTE BOX, 1 PHASE (AFTER SERIAL #10495457)



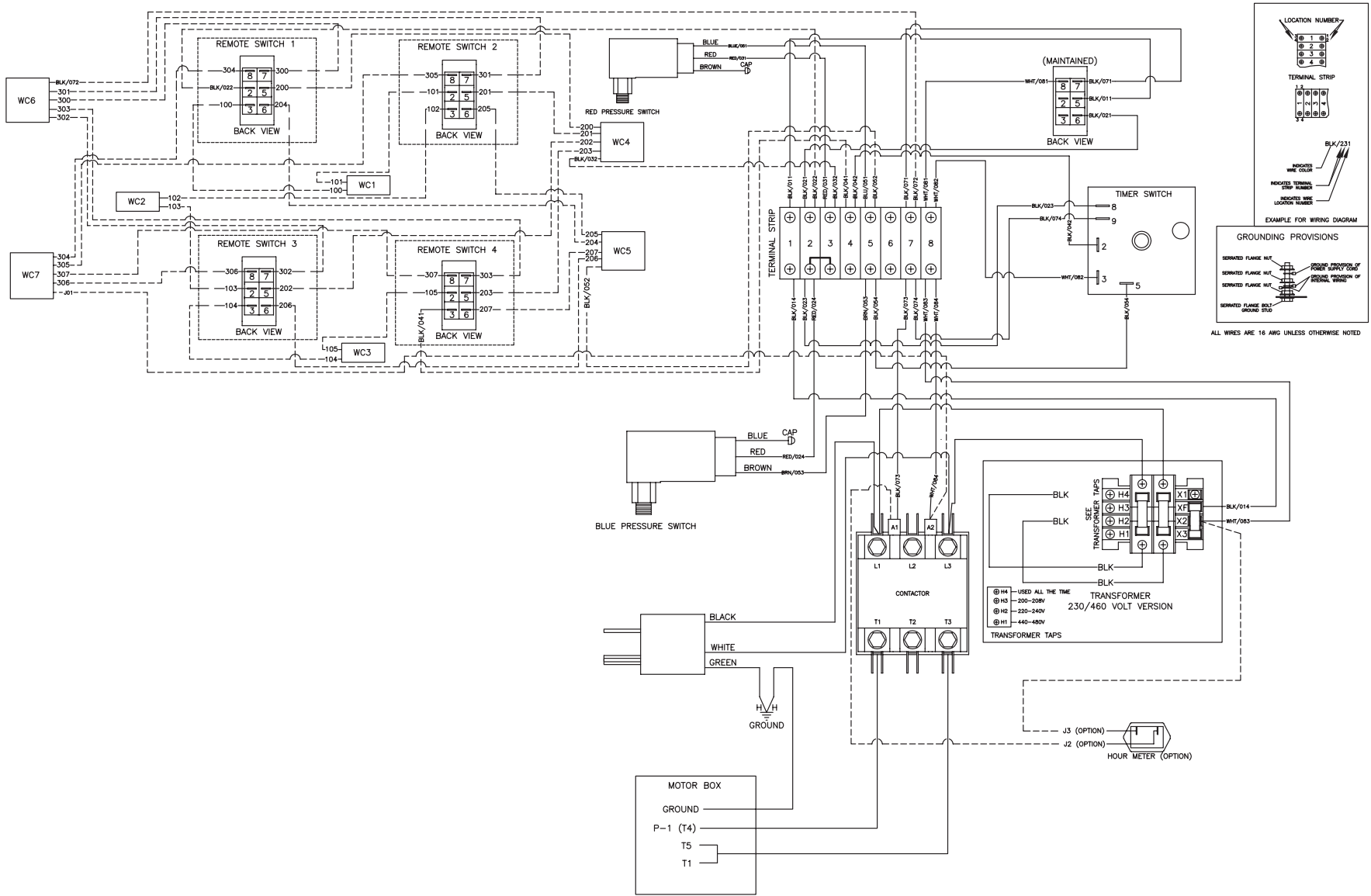
WIRE SCHEMATIC - TD, AUTO SS, RB 1 PHASE 0918'13

WIRING SCHEMATIC - AUTO START/STOP AND MULTI REMOTE BOX, 1 PHASE (AFTER SERIAL #10495457)



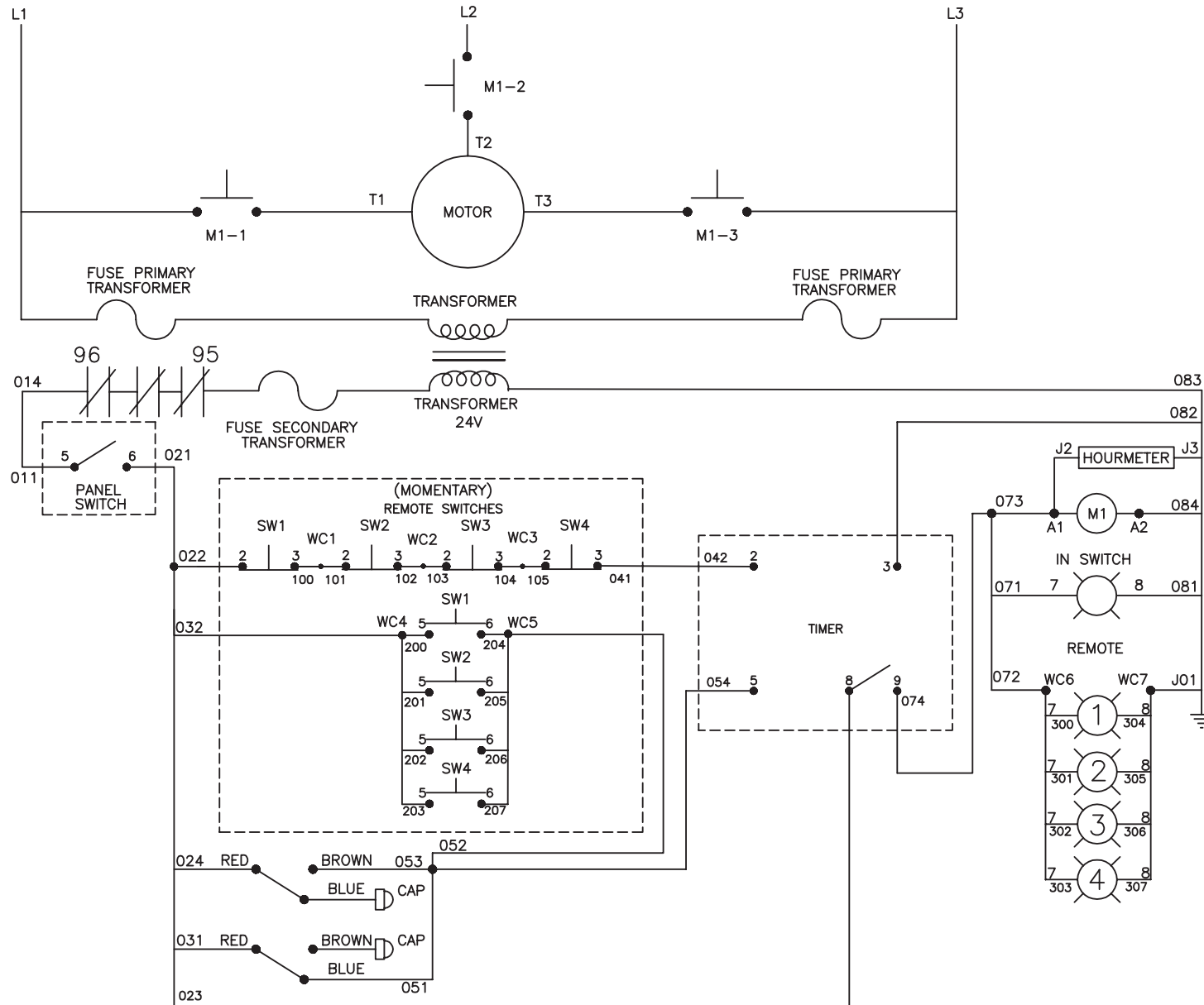
WIRE SCHEMATIC - RB MULTI, AUTO SS 1 PHASE (CX-0069_CX-0078) 091813

WIRING DIAGRAM - AUTO START/STOP AND MULTI REMOTE BOX, 1 PHASE (AFTER SERIAL #10495457)



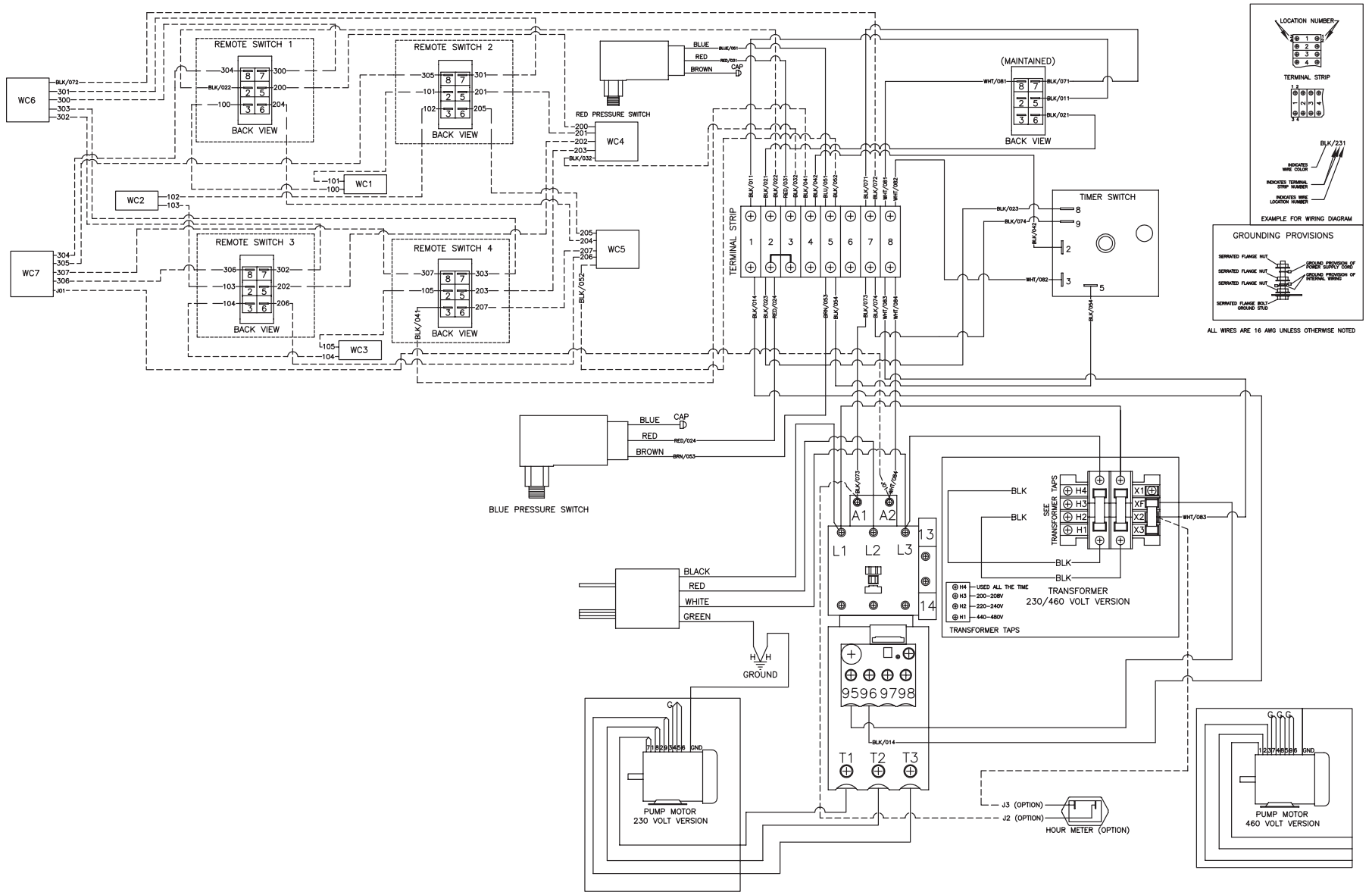
WIRE DIAGRAM - RB MULTI, AUTO SS 1 PHASE (CX-0069_CX-0078) 091813

WIRING SCHEMATIC - AUTO START/STOP AND MULTI REMOTE BOX, 3 PHASE (CX-0069 AND CX-0076) (AFTER SERIAL #10495457)



WIRE SCHEMATIC - RB MULTI, AUTO SS 3 PHASE (CX-0069, CX-0076) 091713

WIRING DIAGRAM - AUTO START/STOP AND MULTI REMOTE BOX, 3 PHASE (CX-0069 AND CX-0076) (AFTER SERIAL #10495457)



WIRE DIAGRAM - RB MULTI, AUTO SS 3 PHASE (CX-0069_CX-0076) 091713

Manufactured by Mi-T-M
8650 Enterprise Drive, Peosta IA 52068
563-556-7484/ Fax 563-556-1235