

PARTS LIST FOR
4004 SERIES
PORTABLE
ELECTRIC DRIVEN/BELT DRIVE
COLD WATER PRESSURE WASHER

Motor Horsepower:	15 HP
Pump Oil Grade:	Pump Oil #AW-4085-0016
Pump Oil Capacity:	40.6 oz.
Nozzle Size:	4.0

This Parts Listing has been compiled for your benefit. You can be assured your new Cold Water Pressure Washer was constructed and designed with quality and performance in mind using over 25 years experience in the pressure washer business. Each component has been rigorously tested to insure the highest level of acceptance.

The contents of this Parts Listing are based on the latest product information available at the time of publication. The manufacturer reserves the right to make changes in price, color, materials, equipment, specifications or models at any time without notice.

WARNING

THIS IS A PROFESSIONAL HIGH PRESSURE, COLD WATER PRESSURE WASHER. CAUTION SHOULD BE OBSERVED WHEN USING OR REPAIRING THIS UNIT! READ AND FOLLOW THE SAFETY WARNINGS LISTED BELOW BEFORE ATTEMPTING ANY REPAIRS ON THIS PRESSURE WASHER!

SAFETY WARNINGS

1. NEVER alter or modify the equipment. Be sure any accessory items and system components being used will withstand the pressure developed. Use only genuine manufactured parts for repair of your pressure washer. Failure to do so can cause hazardous operating conditions and will VOID warranty.
2. NEVER make adjustments on machinery while the unit is connected to the power source. Turning over the machinery by hand during adjustment or cleaning might start the machinery, causing serious injury to the operator.
3. Know how to stop and bleed pressures quickly. Be thoroughly familiar with controls.
4. Before servicing the unit, turn unit off, relieve the water pressure and allow the unit to cool down. Do not make repairs while the unit is running. Service in a clean, dry, flat area.
5. After testing the machine, DO NOT leave the pressurized unit unattended. Shut off the unit and release trapped pressure before leaving.

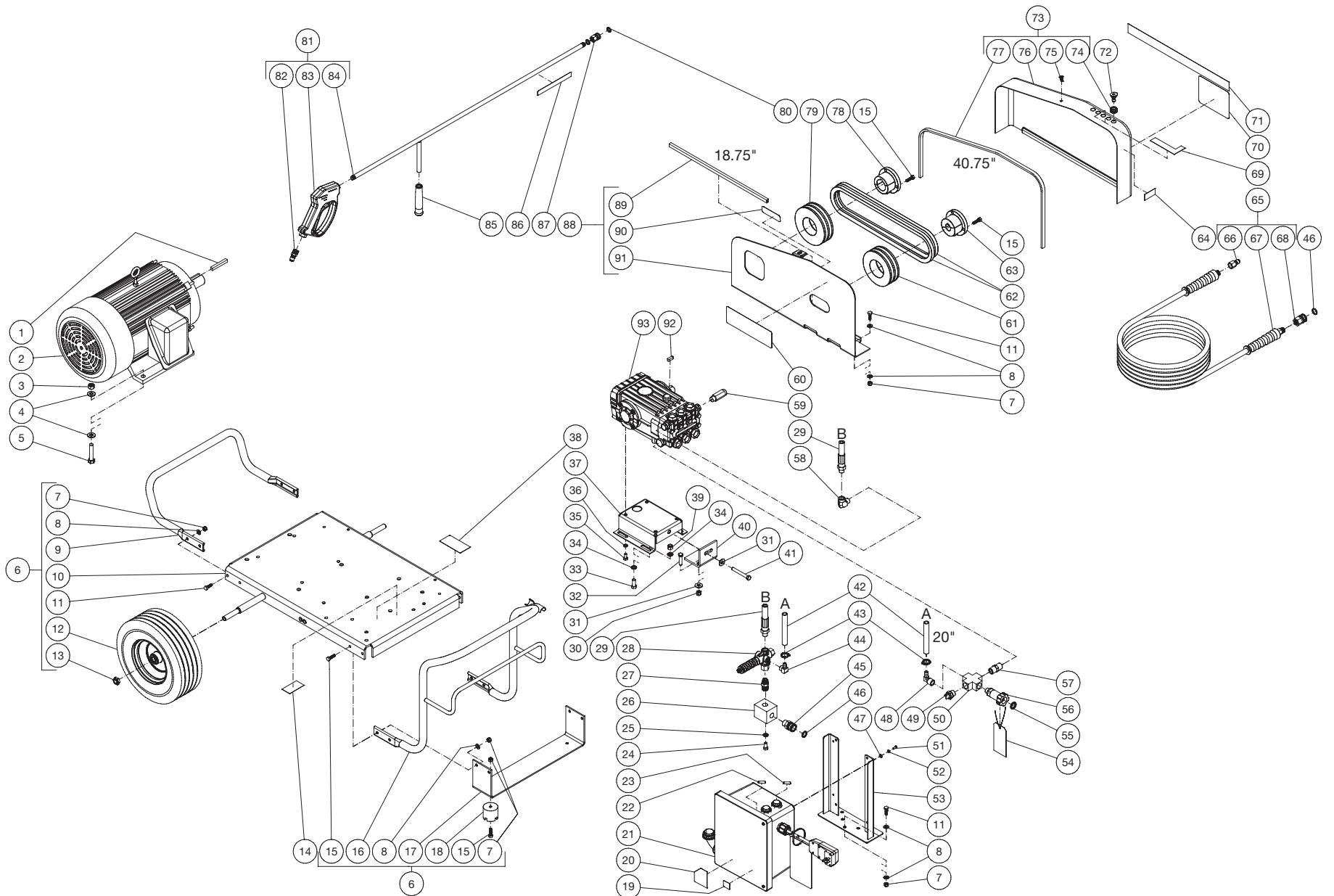
Table of Contents

SPECIFICATIONS.....	3
FRAME ASSEMBLY FOR 4004.....	4
PUMP ASSEMBLY (3-0075)	6
UNLOADER ASSEMBLY (8-0634)	8
CONTROL BOX ASSEMBLY (230 VOLT) (AFTER SERIAL #10154637)	10
WIRING SCHEMATIC (230 VOLT)	12
WIRING DIAGRAM (230 VOLT)	13
CONTROL BOX ASSEMBLY (CX-0057 OPTION) (460 VOLT)	14
WIRING SCHEMATIC (460 VOLT)	16
WIRING DIAGRAM (460 VOLT)	17

SPECIFICATIONS

Operating Pressure (PSI/Bar):	4000/275.8
High Pressure Nozzle:	4.0
Water Volume (GPM/lpm):	4.0/15.1
Motor:	Totally enclosed fan cooled, circuit breaker thermal overload protection, 35ft. power supply cord.
Horsepower	15.0
Voltage	230
Phase	Three
Amps	40
Pump:	Direct Driven, Oil Bath, Triplex Piston
Oil Type	Pump Oil #AW-4085-0016
Oil Capacity (oz./liters)	40.6/1.2
Plungers	Ceramic Coated
Manifold	Forged Brass
Valves	Stainless Steel
Unloader	Preset
Thermal Relief Valve	Relieves heated water during unloader bypass stage
Unit Net Weight w/Marathon (lbs/Kg)	370/168
Unit Shipping Weight w/Marathon (lbs/Kg)	511/232
Unit Net Weight w/Baldor (lbs/Kg)	415/188
Unit Shipping Weight w/Baldor (lbs/Kg)	556/252
Unit Net Dimension (in/cm)	45.5Lx32.5Wx30H/115.5Lx82.5Wx76.5H
Unit Shipping Dimension (in/cm)	48.5Lx30.5Wx35.5H/123Lx77.5Wx90H

FRAME ASSEMBLY FOR 4004



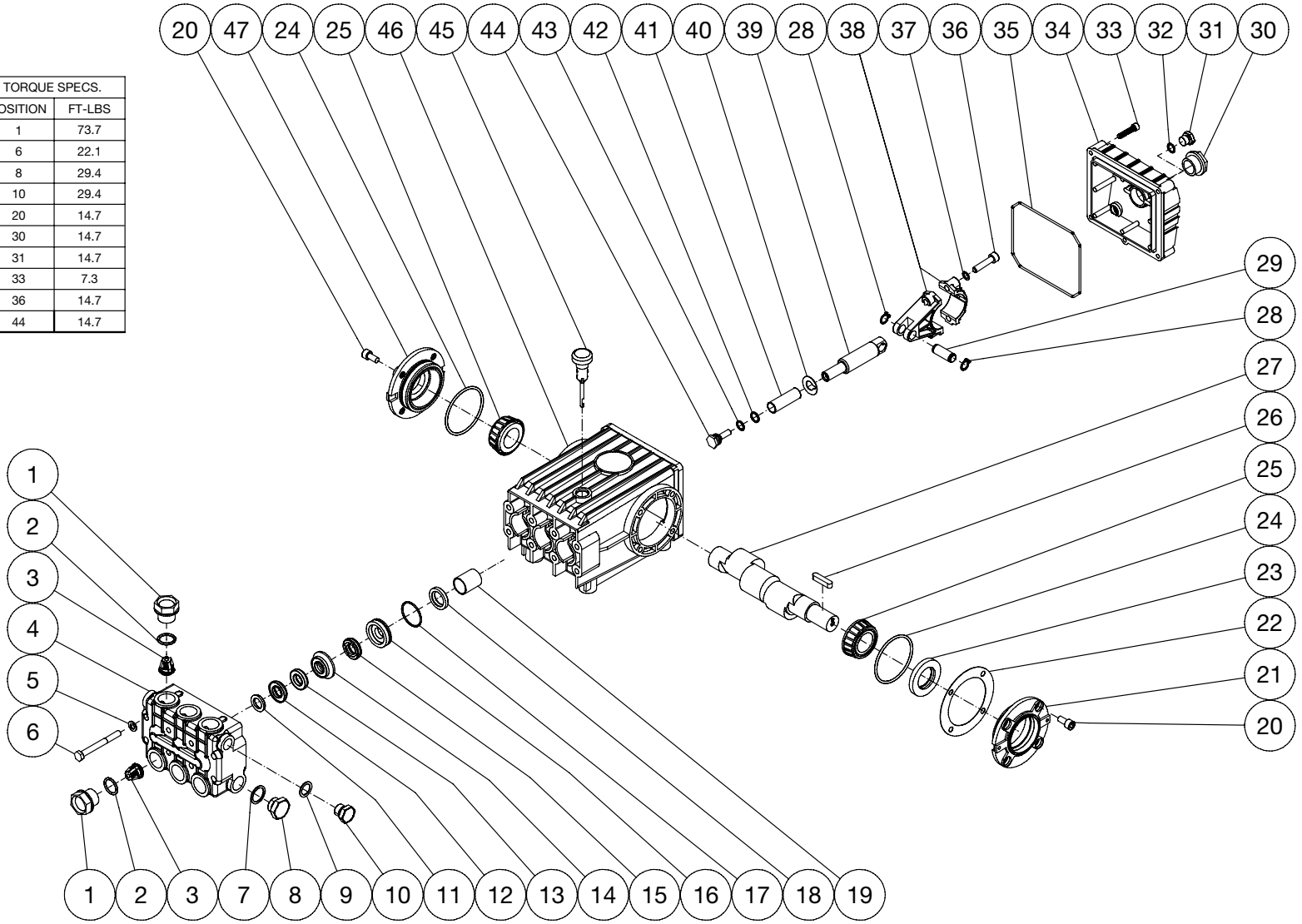
DC-4004-W1E3G 110420 ATL

FRAME ASSEMBLY							
ITEM	TITLE	PART #	QTY	ITEM	TITLE	PART #	QTY
1	KEY	43-0165	1	50	CROSS	23-0071	1
2	MOTOR	2-0018	1	51	BOLT (COMES WITH CW-A-0001 ELECTRIC BOX)	N/A	4
3	NUT	30-0163	4	52	STAR WASHER	28-1009	4
4	WASHER	28-0006	8	53	BRACKET	13-0227A18	1
5	BOLT	27-0221	4	54	TAG - WATER SUPPLY INLET (E)	N/A	1
6	BASEPLATE ASSEMBLY	851-0333	1	55	GARDEN HOSE GASKET	26-0001	1
7	LOCKNUT	30-0157	17	56	FILTER	19-0206	1
8	WASHER	28-0003	22	57	NIPPLE	23-0012	1
9	REAR HANDLE	7-0105A18	1	58	ELBOW	24-0105	1
10	BASEPLATE	5-0334A18	1	59	VALVE	22-0319	1
11	BOLT	27-0067	11	60	DECAL-WARNING/CAUTION/OPERATION (SEE 71-1045)	N/A	1
12	WHEEL	14-0150	2	61	SHEAVE	10-0108	1
13	LOCKNUT	30-0117	2	62	BELT	11-0047	2
14	DECAL	-	1	63	BUSHING	9-0073	1
15	BOLT	27-0068	12	64	DECAL - MADE IN USA	34-3553	1
16	FRONT HANDLE	7-0102A18	1	65	HOSE ASSEMBLY	851-0006	1
17	BRACKET	13-0015A18	1	66	QUICK CONNECT	17-0006	1
18	ISOLATOR	14-0008	2	67	HOSE	15-0004	1
19	DECAL - WARNING REMOVAL OF COVER (SEE 71-1045)	N/A	1	68	QUICK CONNECT SOCKET	17-0004	1
20	DECAL - DO NOT SPRAY (SEE 71-1045)	N/A	1	69	DECAL - NOZZLE (SEE 71-1045)	N/A	1
21	STARTER	N/A	1	-	DECAL - LOGO	N/A	1
22	DECAL - STOP (SEE 71-1045)	N/A	1	-	DECAL - STRIPE	N/A	1
23	DECAL - RUN (SEE 71-1045)	N/A	1	72	NOZZLE	18-0397	1
24	BOLT	27-0116	2	-	NOZZLE	18-0399	1
25	LOCKWASHER	29-0008	2	-	NOZZLE	18-0400	1
26	MANIFOLD BLOCK	51-0012	1	-	NOZZLE	18-0401	1
27	ADAPTER	24-0024	1	73	BELTGUARD COVER ASSEMBLY	850-0242	1
28	UNLOADER	8-0634	1	74	GROMMET	33-0001	5
29	HIGH PRESSURE HOSE	15-0194	1	75	FASTENER	33-0197	1
30	LOCKNUT	30-0159	2	76	BELTGUARD COVER	N/A	1
31	WASHER	28-0023	3	77	EDGING *(FOUR FEET REQUIRED)	33-0020	1
32	BOLT	27-0119	2	78	BUSHING	9-0072	1
33	BOLT	27-0166	4	79	SHEAVE	10-0106	1
34	WASHER	28-0030	8	80	O-RING	25-0122	1
35	BOLT	27-8042	4	81	GUN, BLACK WAND GRIP W/ QC	851-0371	1
36	LOCKWASHER	29-0054	4	82	QUICK CONNECT	17-0005	1
37	PUMP BRACKET	5-0101A18	1	83	GUN	16-0446	1
38	DECAL- SILVER STICKER	N/A	1	84	WAND (INC GRIP & QC)	16-0439	1
39	LOCKNUT	30-0161	4	85	GRIP	7-0002	1
40	BRACKET	13-0003A18	1	86	DECAL - RISK OF INJECTION (SEE 71-1045)	N/A	1
41	BOLT	27-0576	1	87	QUICK CONNECT	17-0001	1
42	HOSE *(TWO FEET REQUIRED)	15-0007	1	88	BELTGUARD BACK ASSEMBLY	851-0335	1
43	HOSE CLAMP	42-0011	2	89	EDGING *(TWO FEET REQUIRED)	33-0020	1
44	ELBOW	23-0050	1	90	DECAL - BELTGUARD IN PLACE (SEE 71-1045)	N/A	1
45	QUICK CONNECT SOCKET	17-0029	1	91	BELT GUARD BACK	N/A	1
46	O-RING	25-0123	2	92	KEY	43-0028	1
47	WASHER	28-0001	4	93	PUMP	3-0075	1
48	HOSE BARB	23-0418	1	-	DECAL SET	71-1045	1
49	RELIEF VALVE	22-0005	1				

*MUST ORDER IN ONE FOOT LENGTHS

PUMP ASSEMBLY (3-0075)

TORQUE SPECS.	
POSITION	FT-LBS
1	73.7
6	22.1
8	29.4
10	29.4
20	14.7
30	14.7
31	14.7
33	7.3
36	14.7
44	14.7

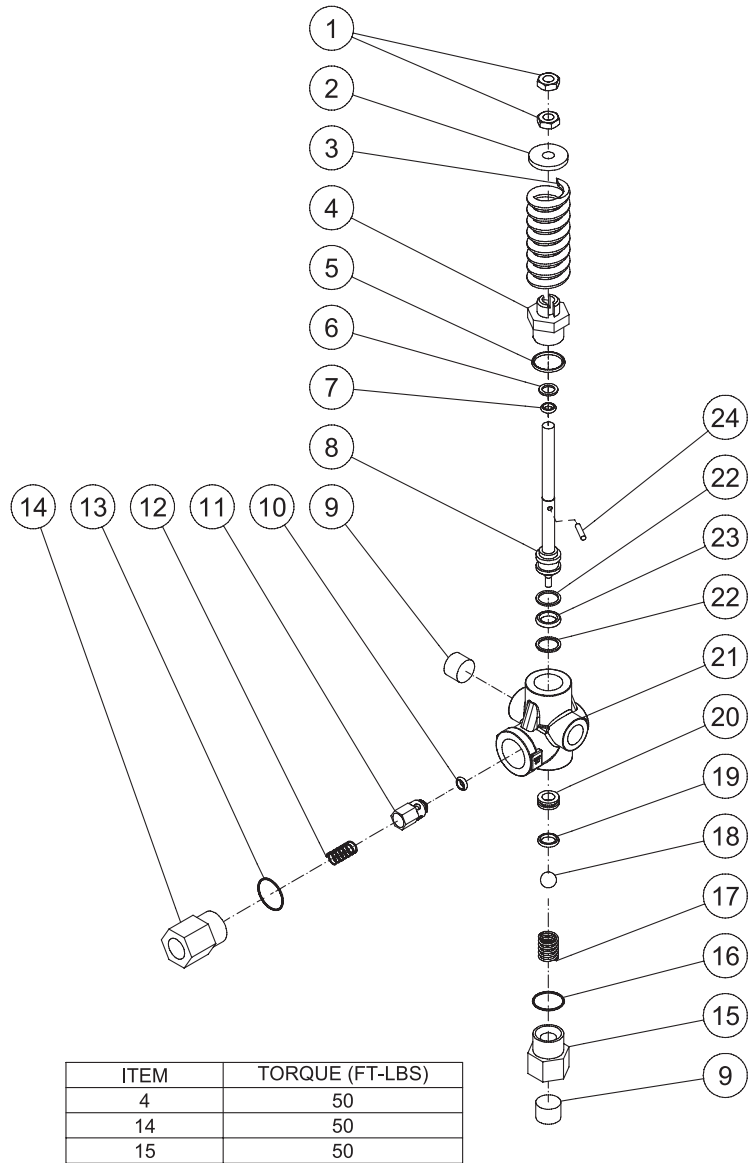


3-0075 110620

PUMP ASSEMBLY								
ITEM	DESCRIPTION	PART #	QTY		ITEM	DESCRIPTION	PART #	QTY
1	CAP VALVE (SEE KIT 70-0745)	SEE KIT	6		25	BEARING	48-0012	2
2	O-RING	25-0012	6		26	KEY	43-0048	1
3	VALVE (SEE KIT 70-0009)	SEE KIT	6		27	CRANKSHAFT	46-0050	1
4	MANIFOLD	46-0291	1		28	RETAINING RING	46-0103	6
5	WASHER	28-1039	8		29	CONNECTING ROD PIN	43-0032	3
6	BOLT	27-8185	8		30	OIL LEVEL INDICATOR	46-0114	1
7	WASHER	28-1038	2		31	PLUG	39-0017	1
8	PLUG	39-0019	2		32	O-RING	25-0014	1
9	WASHER	28-1002	2		33	BOLT	27-8404	5
10	PLUG	39-0018	2		34	CRANKCASE OPEN COVER	46-0295	1
11	HEAD RING (SEE KIT 70-0031 & 852-0064)	SEE KIT	3		35	O-RING	25-0339	1
12	PACKING (SEE KIT 70-0042 & 852-0064)	46-0338	3		36	BOLT	27-8435	6
13	LONG LIFE RING (SEE KIT 70-0042 & 852-0064)	46-0290	3		37	LOCKWASHER	29-0154	6
14	INTERMEDIATE RING (SEE KIT 70-0210)	46-0289	3		38	CONNECTING ROD	46-0051	3
15	V-PACKING (SEE KIT 70-0072 & 852-0064)	46-0287	3		39	PISTON GUIDE	46-0294	3
16	PACKING RETAINER	46-0286	3		40	SLINGER WASHER	46-0283	3
17	O-RING (SEE KIT 852-0064)	25-0015	3		41	CERAMIC PLUNGER	46-0337	3
18	OIL SEAL	26-0047	3		42	RING	25-0137	3
19	BUSHING	9-0029	3		43	O-RING	25-0138	2
20	BOLT	27-8431	8		44	PISTON SCREW	46-0285	3
21	CRANKCASE COVER	46-0296	1		45	OIL DIP STICK	46-0144	1
22	SHIM	46-0113	1		46	CRANKCASE	46-0047	1
23	OIL SEAL	26-0049	1		47	CRANKCASE COVER	46-0336	1
24	O-RING	25-0013	2					

Mi-T-M KIT #	DESCRIPTION	ITEMS	# OF ASSEMBLIES	# OF CYLINDERS
70-0009	KITS -VALVES	3	6	3
70-0745	KIT - CAP VALVE	1	6	3
70-0031	KITS -HEAD RING	11	3	3
70-0042	KITS - V-PACKING	12, 13, 15	3	3
70-0210	KITS -INTERMEDIATE RETAINER	14	3	3
852-0064	V-PACKING ASSY	11, 12, 13, 15, 17	3	3

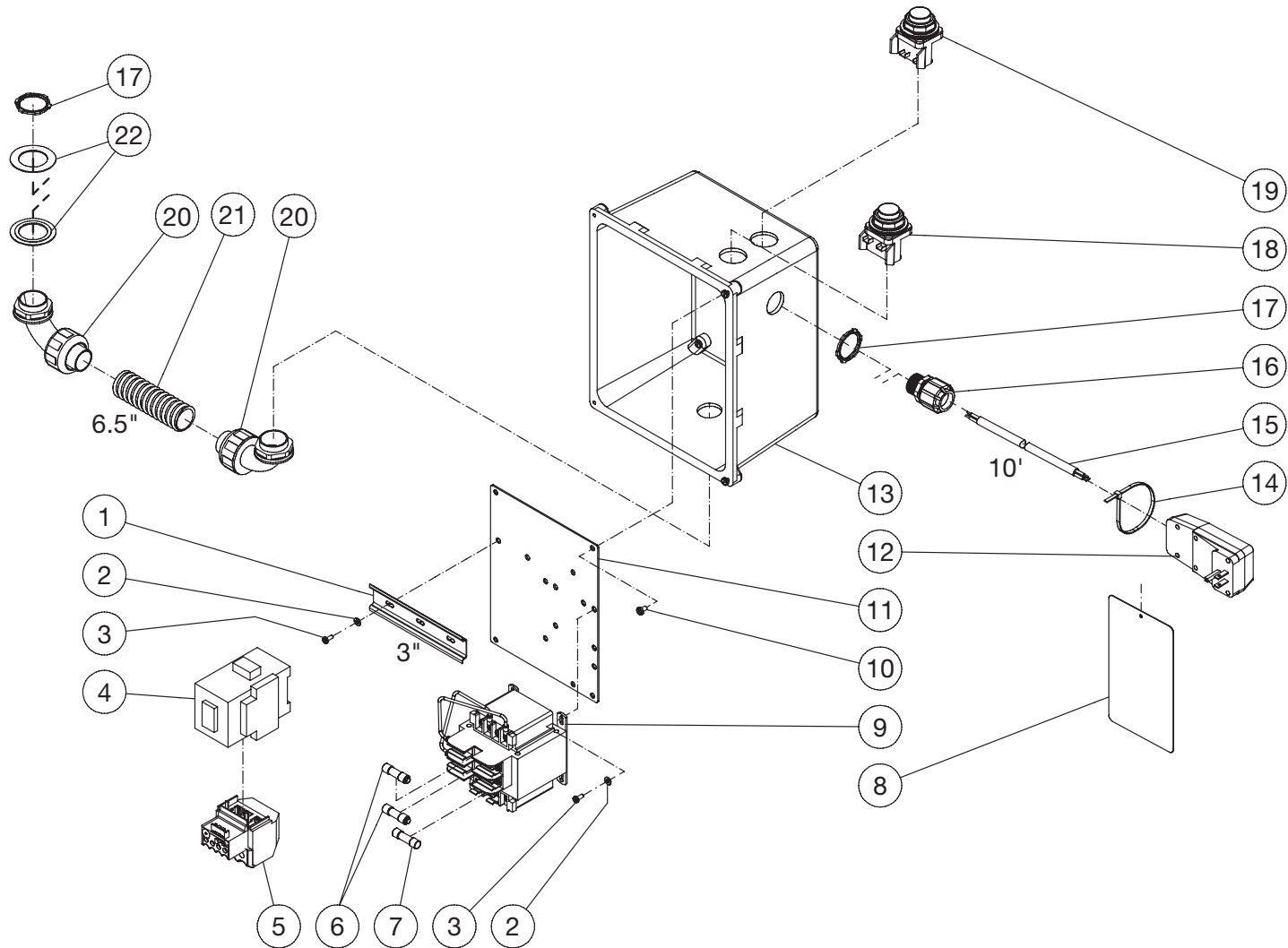
UNLOADER ASSEMBLY (8-0634)



8-0634 052213 JDK			
UNLOADER ASSEMBLY			
ITEM	DESCRIPTION	PART #	QTY
1	NUT	8-0293	2
2	SPRING SPACER	46-1527	1
3	SPRING	49-0171	1
4	FITTING	46-1529	1
5	O-RING (SEE KIT 70-0625)	SEE KIT	1
6	O-RING (SEE KIT 70-0625)	SEE KIT	1
7	O-RING (SEE KIT 70-0625)	SEE KIT	1
8	STEM	46-1530	1
9	PLUG	23-0244	2
10	O-RING (SEE KIT 70-0624)	SEE KIT	1
11	POPPET (SEE KIT 70-0624)	SEE KIT	1
12	SPRING (SEE KIT 70-0624)	SEE KIT	1
13	O-RING	25-0672	1
14	OUTLET FITTING	46-1531	1
15	INLET FITTING (SEE KIT 70-0625)	SEE KIT	1
16	O-RING (SEE KIT 70-0625)	SEE KIT	1
17	SPRING	49-0172	1
18	BALL (SEE KIT 70-0625)	SEE KIT	1
19	O-RING (SEE KIT 70-0625)	SEE KIT	1
20	SEAT	46-1532	1
21	FORGING	46-1533	1
22	BACKUP RING (SEE KIT 70-0625)	SEE KIT	2
23	O-RING (SEE KIT 70-0625)	SEE KIT	1
24	PIN (SEE KIT 70-0625)	SEE KIT	1

REPLACEMENT KITS			
KIT #	DESCRIPTION	ITEMS	QTY
70-0624	KIT - CHECK VALVE	10-12	1, 1, 1
70-0625	KIT - UNLOADER REBUILD	5-7, 15-16, 18-19, 22-24	1, 1, 1, 1, 1, 1, 1, 2, 1, 1

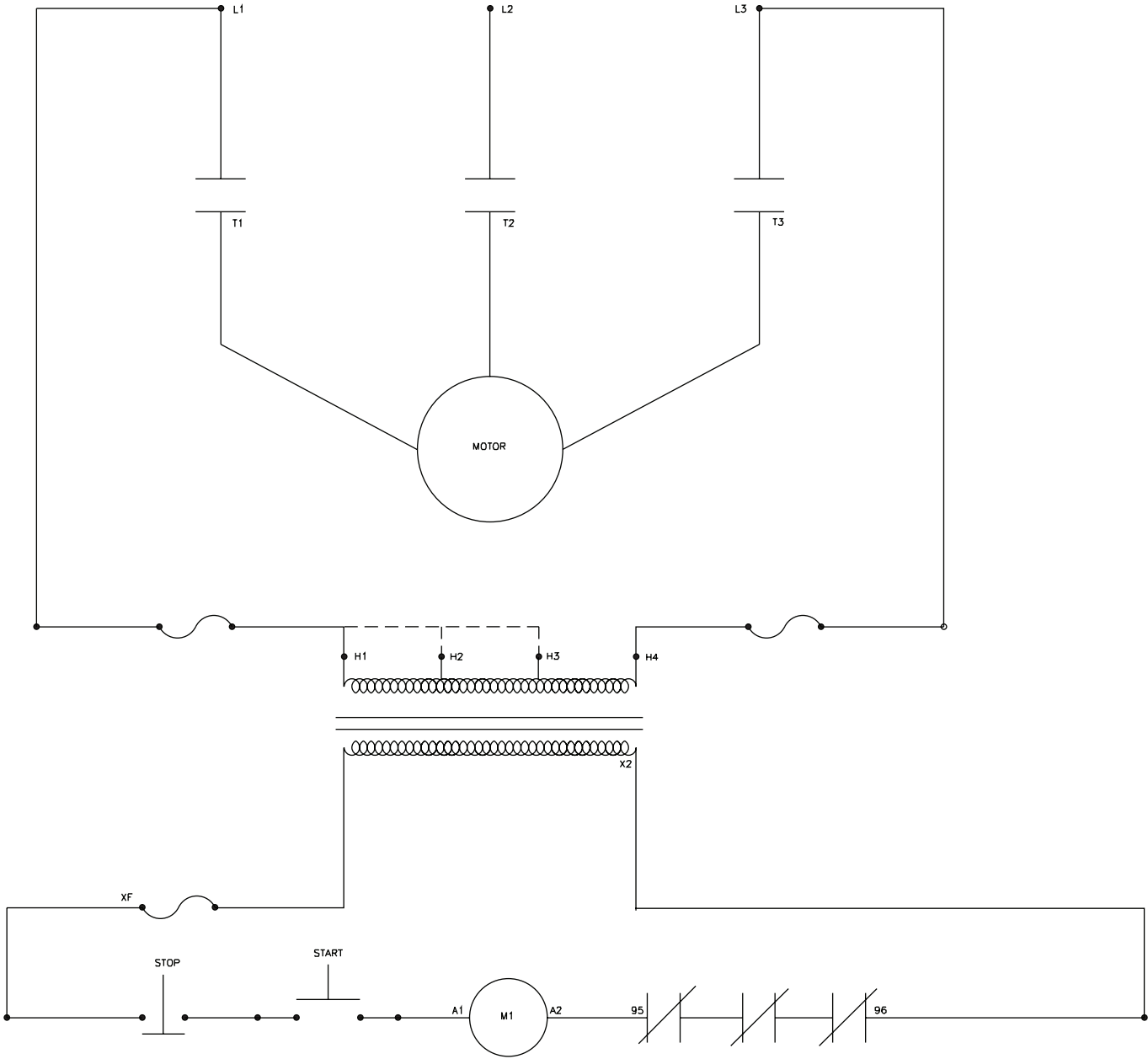
CONTROL BOX ASSEMBLY (230 VOLT) (AFTER SERIAL #10154637)



CW-A-0001 021022 JJR

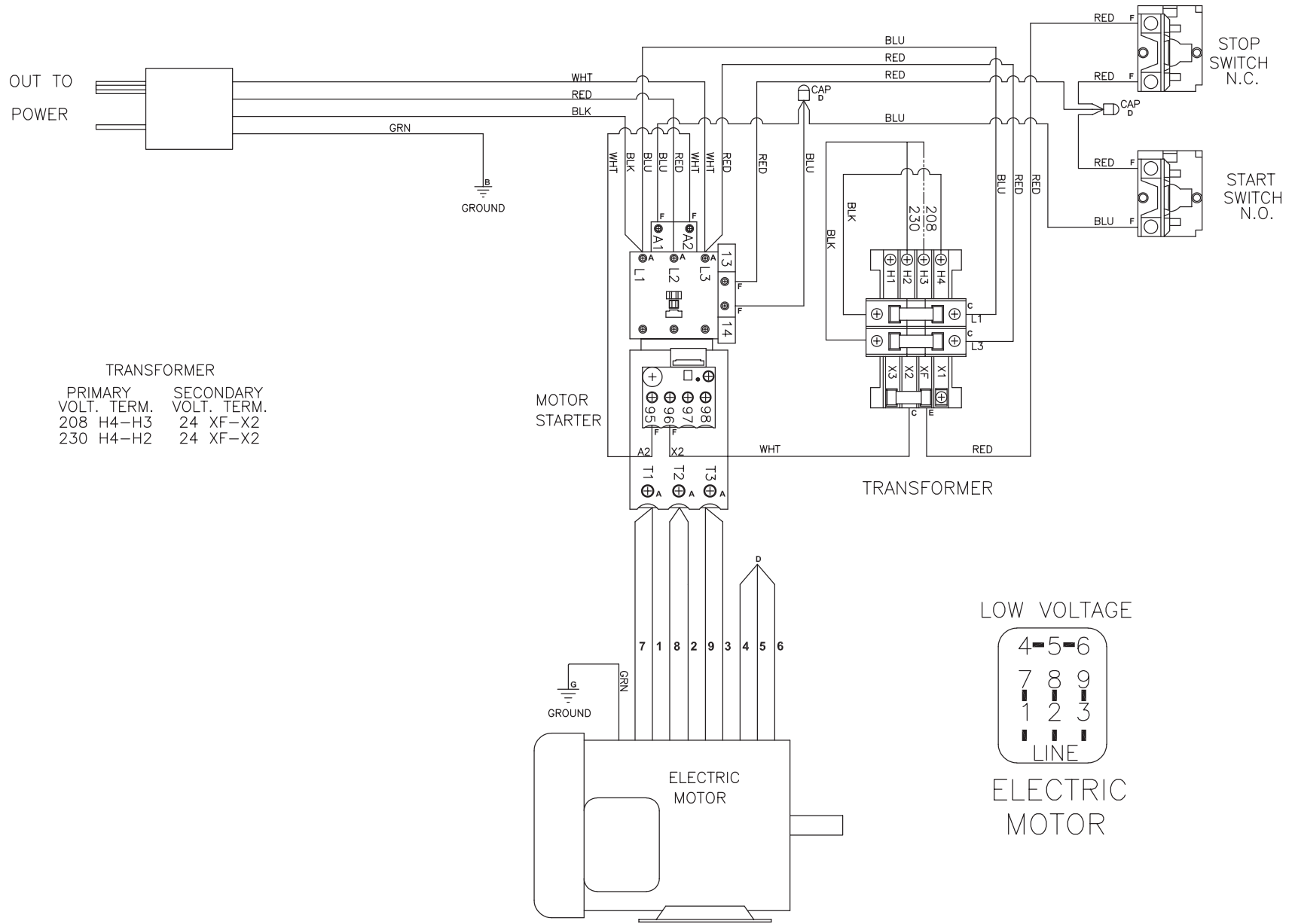
CW-A-0001 021022 JJR			
CONTROL BOX ASSEMBLY			
ITEM	DESCRIPTION	PART #	QTY
1	DIN RAIL *(ONE FOOT REQUIRED)	32-0316	1
2	WASHER	28-0010	6
3	BOLT	27-8927	6
4	CONTACTOR 45 AMP	32-0328	1
5	OVERLOAD RELAY 30-45A	32-0485	1
6	FUSE	32-0469	2
7	FUSE	32-0619	1
8	TAG - WARNING RISK OF ELECTROCUTION	34-1035	1
9	TRANSFORMER	32-0618	1
10	ISOLATION PLATE SCREW (WITH ELECTIC BOX)	-	4
11	PLATE	20-1293A06	1
12	PLUG	32-0647	1
13	ELECTRIC BOX	32-1119	1
14	CABLE TIE	33-0022	1
15	CORD *(TEN FEET REQUIRED)	32-0123	1
16	CORD RELIEF	9-0048	1
17	NUT	32-0515	2
18	SWITCH - RED	32-0306	1
19	SWITCH - GREEN	32-0305	1
20	CONDUIT ELBOW	32-0907	2
21	CONDUIT FLEX *(SEVEN FEET REQUIRED)	32-0908	1
22	REDUCING WASHER	32-1341	2
-	WIRE *(SEVEN FEET REQUIRED)	32-0501	1
-	WIRE *(THREE FEET REQUIRED)	32-0622	1
*MUST ORDER IN ONE FOOT LENGTHS			

WIRING SCHEMATIC (230 VOLT)

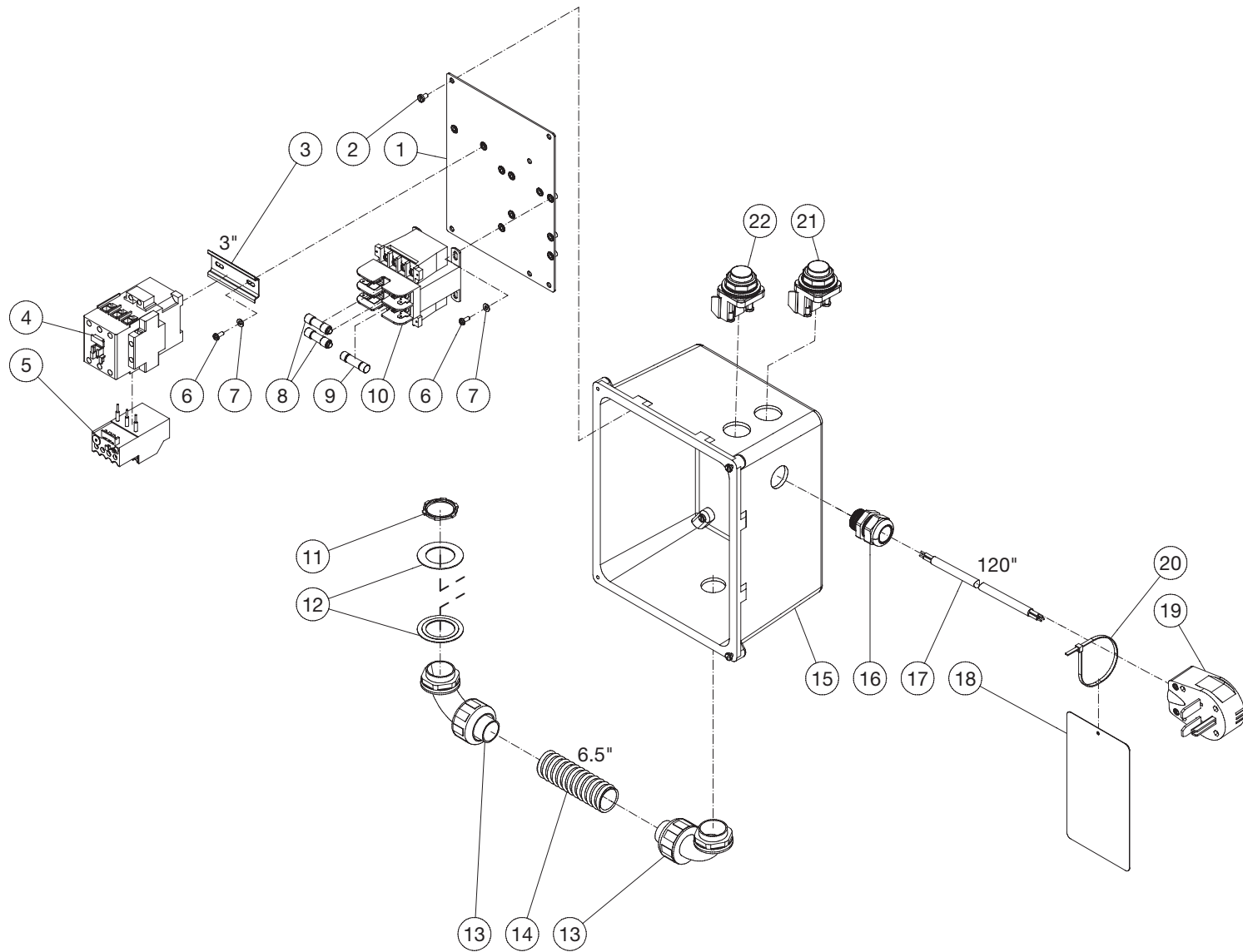


CW-WD-0001-112700-RD

WIRING DIAGRAM (230 VOLT)



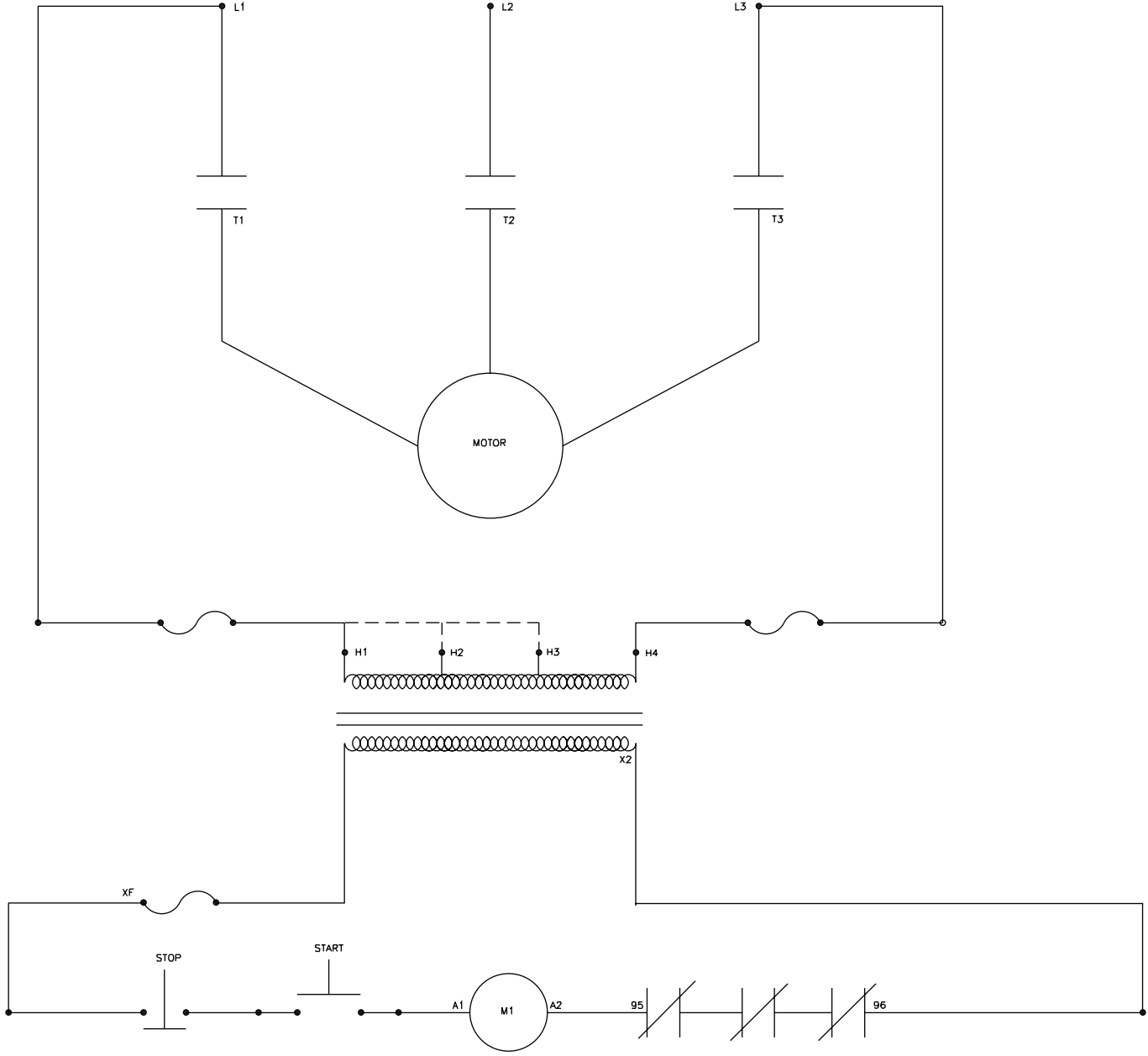
CONTROL BOX ASSEMBLY (CX-0057 OPTION) (460 VOLT)



CW-A-0002 022422 JJR

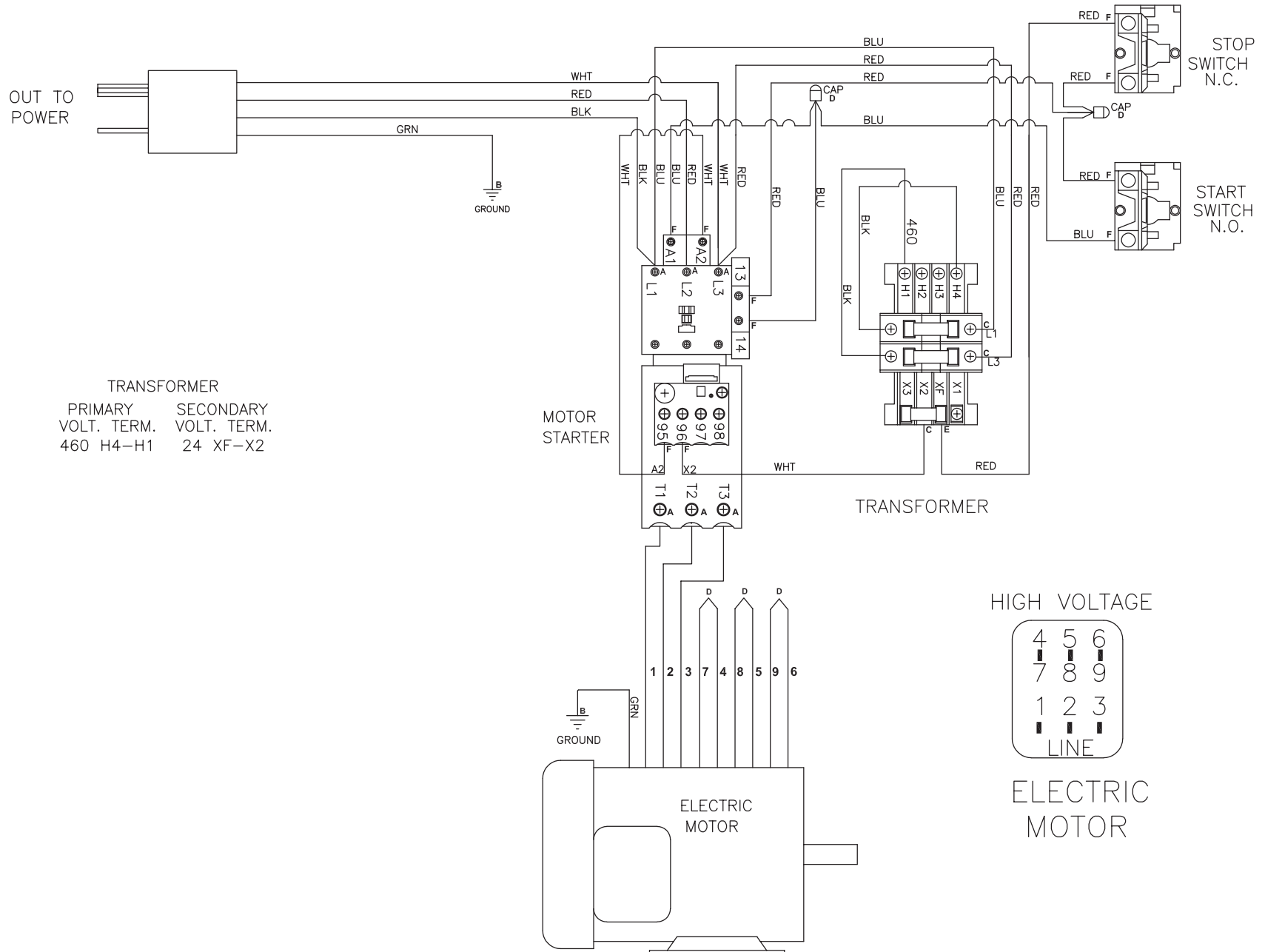
CONTROL BOX ASSEMBLY (460V)			
ITEM	DESCRIPTION	PART #	QTY
1	ELECTRIC PANEL	20-1293A06	1
2	BOLT (W/ BOX)	N/A	1
3	DIN RAIL *(ONE FOOT REQUIRED)	32-0316	1
4	CONTACTOR - 30AMP	32-0597	1
5	OVERLOAD RELAY	32-1076	1
6	BOLT	27-8927	6
7	WASHER	28-0010	6
8	FUSE	32-0325	2
9	FUSE	32-0323	1
10	TRANSFORMER	32-0313	1
11	NUT	32-0515	1
12	REDUCING WASHER	32-1341	2
13	CONDUIT ELBOW	32-0907	2
14	CONDUIT FLEX *(ONE FOOT REQUIRED)	32-0908	1
15	ELECTRIC BOX	32-1119	1
16	CORD RELIEF	9-0046	1
17	CORD *(TEN FEET REQUIRED)	32-0023	1
18	TAG - WARNING RISK OF ELECTROCUTION	34-1035	1
19	PLUG	32-0146	1
20	CABLE TIE	33-0022	1
21	SWITCH - RED	32-0306	1
22	SWITCH - GREEN	32-0305	1
*MUST ORDER IN ONE FOOT LENGTHS			

WIRING SCHEMATIC (460 VOLT)



CW-WD-0001-112700-RD

WIRING DIAGRAM (460 VOLT)



TRANSFORMER
 PRIMARY VOLT. TERM. 460 H4-H1
 SECONDARY VOLT. TERM. 24 XF-X2

