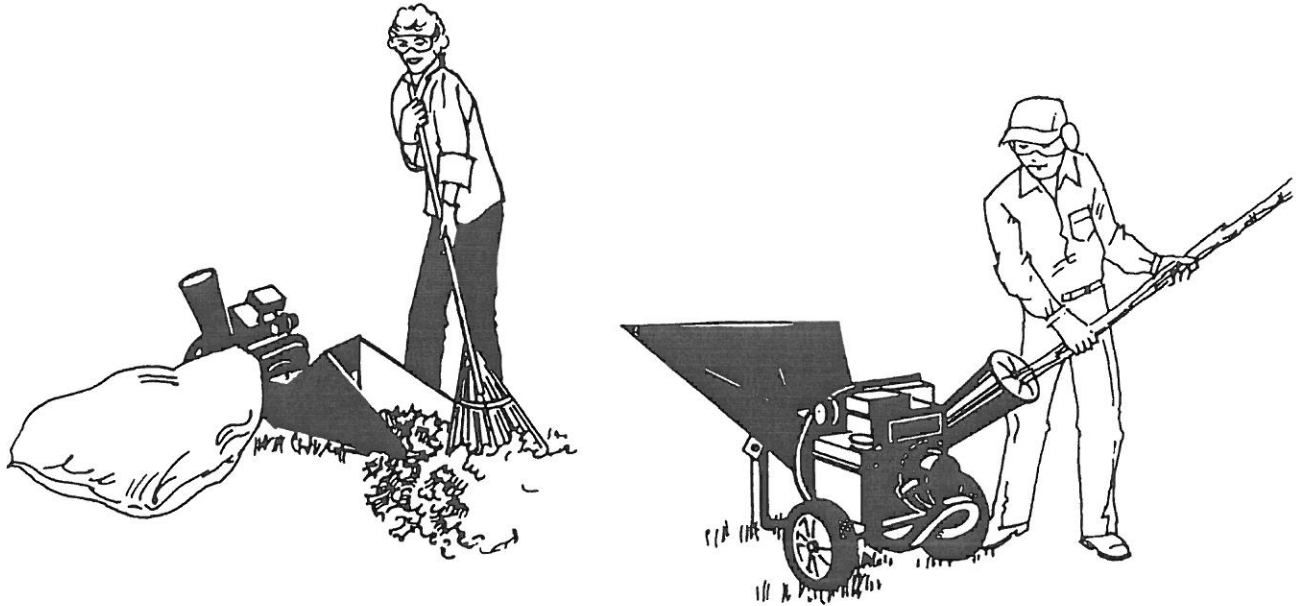


OWNER'S MANUAL

LSC1100M

LEAF SHREDDER-CHIPPER

ASSEMBLY AND OPERATING INSTRUCTIONS



This manual contains information concerning proper and improper operating procedures, warnings, maintenance, troubleshooting, assembly and tips. Everyone who operates this machine should read these instructions and be thoroughly familiar with them.

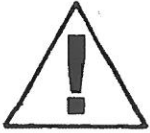
**THIS MACHINE IS CAPABLE OF INFLICTING SERIOUS
INJURY IF OPERATED IMPROPERLY.**

- READ ALL WARNINGS AND CAUTION LABELS -

MACKISSIC, INC. P.O. BOX 111, PARKER FORD, PA 19457
PHONE: (610) 495-7181 e-mail: mackissic1@msn.com FAX: (610) 495-5951
www.mackissic.com

P/N 804-0215
10/16/17

SAFETY



This symbol points out important safety instructions, which, if not followed, could endanger the personal safety and/or property of yourself and others. Read and follow all instructions in this manual before attempting to operate your leaf hog. Failure to comply with these instructions may result in personal injury. When you see this symbol - **heed its warning.**

THIS MACHINE IS CAPABLE OF INFLICTING SERIOUS INJURY IF OPERATED IMPROPERLY. READ ALL WARNINGS & CAUTION LABELS.

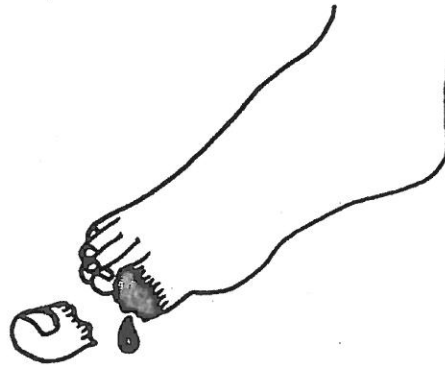
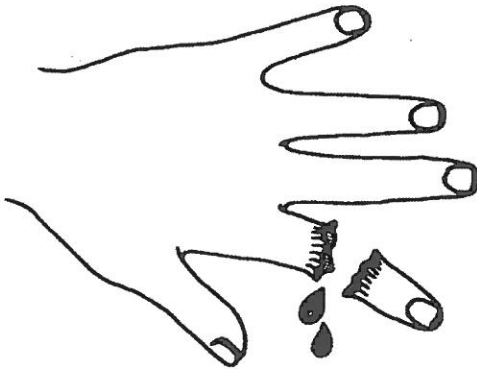
INTENDED USE

THE LEAF SHREDDER-CHIPPER IS DESIGNED FOR SHREDDING AND CHIPPING LAWN AND GARDEN PRODUCTS. ANY OTHER USE MAY CAUSE SERIOUS INJURY.



DANGER: *Rotating cutting blade.*

Keep hands and feet out of inlet and discharge opening while machine is running.



DANGER: This machine can **CRUSH, GRIND, CUT**, and **SEVER** parts of your body if they enter the inlet or discharge area of your chipper.



DANGER: Your shredder-chipper was built to be operated according to the rules for safe operation in this manual. **As with any type of power equipment, carelessness or error on the part of the operator can result in serious injury.** If you violate any of these rules, you may cause serious injury to yourself or others.

MAKE CERTAIN THAT ALL SAFETY LABELS ON THIS EQUIPMENT ARE KEPT CLEAN AND IN GOOD CONDITION. IF YOU NEED REPLACEMENT LABELS, ORDER BY PART NUMBER.

⚠ CAUTION ⚠

ROTATING CUTTING BLADES - KEEP HANDS AND FEET OUT OF DISCHARGE AND INLET OPENING WHILE MACHINE IS RUNNING.

- (1) READ INSTRUCTIONS AND OPERATORS MANUAL THOROUGHLY BEFORE STARTING MACHINE.
- (2) REMOVE SPARK PLUG WIRE BEFORE ATTEMPTING ANY SERVICE OR REPAIRS ON MACHINE.
- (3) ONLY CHECK OIL LEVEL WHEN MACHINE IS IN UPRIGHT POSITION. CHECK OIL LEVEL EVERY FIVE HOURS OF USE.
- (4) KEEP HANDS, FACE, LOOSE CLOTHING, CHILDREN AND PETS AWAY FROM DISCHARGE AREA, INTAKE HOPPER AND MOVING PARTS OF SHREDDER.
- (5) USE GLOVES, HEARING PROTECTORS AND SAFETY GLASSES WHEN OPERATING.
- (6) DO NOT ALLOW CHILDREN TO OPERATE THIS MACHINE. KEEP BYSTANDERS AWAY WHILE MACHINE IS RUNNING.
- (7) DO NOT PUT STONES, NAILS AND FOREIGN OBJECTS OTHER THAN 1/2" OR LESS DIAMETER BRANCHES IN THE SHREDDER HOPPER.
- (8) THIS MACHINE MUST BE OPERATED ON A LEVEL EARTHEN SURFACE.
- (9) NEVER RUN THIS MACHINE IN AN ENCLOSED AREA. CARBON MONOXIDE FUMES ARE DEADLY.
- (10) DO NOT INSERT HANDS OR METAL OBJECTS INTO THE FEED HOPPER OR DISCHARGE CHUTE WHEN THE MACHINE IS RUNNING. IF JAMMED, TURN ENGINE OFF AND REMOVE SPARK PLUG WIRE BEFORE CLEANING THE OBSTRUCTION WITH A WOODEN STICK.
- (11) DO NOT USE HANDS TO CLEAR MATERIAL FROM THE DISCHARGE AREA.
- (12) NEVER INSTALL OR REMOVE SCREEN WITH THE ENGINE RUNNING.
- (13) NEVER OPERATE THE CHIPPER WITHOUT THE FEED CHUTE SECURELY IN PLACE.

091-0078



091-0164

ONLY START UNIT IN UPRIGHT POSITION

091-0411



091-0044



091-0062



091-0088



091-0043

TRAINING

Read this owner's manual carefully in its entirety before attempting to assemble or operate this machine. Be completely familiar with the controls and the proper use of this machine before operating it. Keep this manual in a safe place for future and regular reference and for ordering replacement parts.

OPERATOR'S RESPONSIBILITY

Never allow children to operate your leaf shredder-chipper, nor adults lacking the proper instruction. Keep children, pets, and bystander a minimum of 20 feet away from you work area. Flying chips can be hazardous.

Never run this machine in an enclosed area since the exhaust from the engine contains carbon monoxide, which is an odorless, tasteless and deadly poisonous gas.

Never run this machine on cement or blacktop. This machine should be operated **ONLY** on a level earthen surface.

Never put your hands, feet, face, or any other part of your body in the feed hopper or discharge area.

Never remove the plastic shield attached to the shredding hopper. This device prevents material from kicking back out and must be intact at all times. This is a protective guard.

Never operate your leaf shredder-chipper while under the influence of alcohol, drugs, or medication. A clear mind is essential for safety.

Never allow a person who is tired or otherwise not alert to operate this machine.

SAFETY WEAR

Never wear loose clothing or jewelry that can be caught by moving parts of your leaf shredder-chipper and pull you into it. Keep all clothing away from moving parts. Wear proper head gear to keep hair away from moving parts.

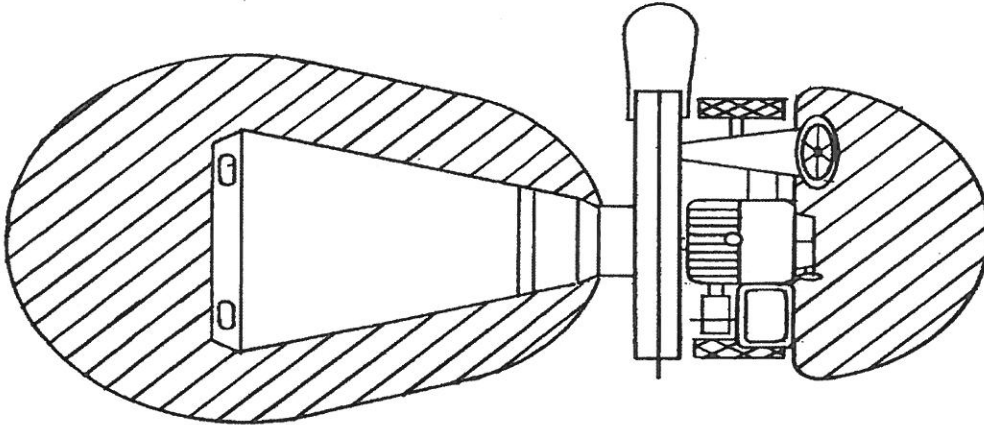
Always wear safety glasses provided with your unit and work gloves at all times while operating your leaf shredder-chipper. A chip could fly out and hit you in the eye. Be sure your glasses fit properly and your gloves do not have loose cuffs or draw strings.

Always wear ear protectors at all times while operating your leaf shredder-chipper. The noise of this machine could result in hearing loss.

**ALWAYS CHECK OIL LEVEL
BEFORE STARTING MACHINE**

OPERATING PROCEDURE

Only operate your leaf shredder-chipper from the operator zones.



OPERATOR ZONES

Know how to turn the unit off.

Never clear discharge area while unit is running. After the leaf shredder-chipper is shut off, then use a long handled tool to clear area.

Never clear discharge area with hands, feet, or any other part of your body.

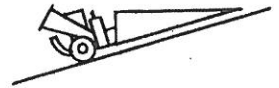
Never move your leaf shredder-chipper or leave it unattended with the engine running.

OPERATE IN SAFE ENVIRONMENT

Never operate your leaf shredder-chipper on slippery, wet, muddy, or icy surfaces. Safe footing is essential in preventing accidents.

Only operate on level ground. If level ground is impossible to find, be sure the leaf tray is "up hill" to assure proper engine lubrication as shown.

Keep operator zone clean and clear of debris so that you don't stumble over it.



Handle gasoline with care as it is an extremely flammable fuel.

Check the fuel before starting the engine. Do not fill the fuel tank indoors, while the engine is running, or while the engine is still hot. Turn the unit off and let the engine cool before refueling.

Fuel your leaf shredder-chipper in a clean area to avoid getting dirt in the gas tank. Do not smoke while refueling.

Fuel tank cap must be secure at all times except during refueling.

Avoid spilling gasoline or oil. Wipe the unit clean of any spilled fuel or oil.

Store fuel and oil in approved containers, away from heat or open flame, and out of reach of children.

REPAIR AND MAINTENANCE SAFETY

Never operate your leaf shredder-chipper in poor mechanical condition or when in need of repair. Periodically check that all nuts, bolts, screws, and belts are tightened to specifications. Be sure all safety guards and shields are in the proper position. These safety devices are for your protection.

Don't service or repair your leaf shredder-chipper without removing the spark plug wire.

Replace old, damaged or worn parts such as bolts or guards immediately.

Follow engine owner's manual for engine maintenance and repair.

If it is necessary for any reason to inspect or repair the feed hopper or any part of the machine where a moving part can come in contact with your body or clothing, stop the machine, allow it to cool, disconnect the spark plug wire from the spark plug and move it away from the spark plug before attempting such inspection or repair.

OPERATING TIPS

Whenever you operate your leaf shredder-chipper, wearing gloves and safety glasses is required. If necessary to push material into shredding chamber, use a wood stick never hands or steel implements. At the end of this section we offer additional cautions. Read and observe them.



The operation of any leaf shredder-chipper can result in foreign objects being thrown into the eyes, which can result in severe eye damage. Always wear the safety glasses provided with the leaf shredder-chipper or eye shields before chipping or shredding, or while performing any adjustments or repairs.

Branches are fed into the chipper chute for chipping. Only feed one at a time if they are thicker than 1". If smaller than 1", several smaller diameter twigs can go together. Since the throat opening is 2 7/8" in diameter, some side shoots or side branches may have to be trimmed from the main stalk before chipping. Short stubs of branches may be pushed through the chipper section with the next branch. Never assume you know where the blade is and try to push short branches in by hand. Be safe, keep your hands away from the chipping blade.

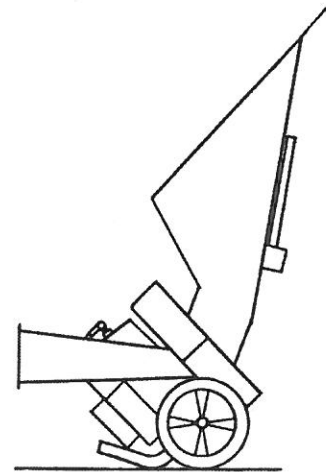
1. When feeding material into this equipment be careful that pieces of metal, glass, rocks, cans or other non-organic or foreign objects are not included.
2. Do not allow an accumulation of processed material to build up under the discharge of the leaf shredder-chipper. This can prevent the following shredded material from discharging and will result in clogging the unit. Always shut the unit off before clearing build-up and use a long handled stick or spade to remove processed material build-up. **DO NOT USE YOUR HAND OR FOOT.**
3. Keep all protective guards on the machine in place and in good working condition.
4. Always stand clear of the discharge area when the shredder is running.

5. Keep your face and body away from the feed hopper to avoid being struck by any material that may bounce back. Do not overreach. Keep proper balance and footing.
6. Do not transport the shredder while the engine is running.
7. Do not refuel the engine while it is hot, warm or running.
8. Do not cover the machine while the muffler is still hot.
9. The engine must be kept clear of debris and other accumulations.

WARNING: This unit is equipped with an internal combustion engine and should not be used on or near any unimproved forest-covered, brush-covered or grass-covered land unless the engine's exhaust system is equipped with a spark arrester meeting applicable to local or state laws (if any). If a spark arrester is used, it should be maintained in effective working order by the operator.

In the State of California, the above is required by law (Section 4442 of the California Public Resources Code). Other states may have similar laws. Federal laws apply on federal lands. A spark arrester for the muffler is available through your engine manufacturer servicing dealer.

**NEVER OPERATE MACHINE
IN THIS POSITION.**



**ONLY START THE SHREDDER-CHIPPER IN THE UPRIGHT
POSITION. DO NOT START IT IN THE LAY DOWN
POSITION AS THIS MAY CAUSE ENGINE DAMAGE.**

PACKAGE CONTENTS

CARTON	POLYBAG	BOLTBAG	WHERE USED
MACHINE	OWNER'S MANUAL	4 EA - 5/16-18 X ¾" HHCS	DISCHARGE FLAP
SHREDDER HOPPER	ENGINE MANUAL	2 EA - 5/16 FENDER WASHER	DISCHARGE FLAP
POLY BAG	WARRANTY CARD	4 EA - 5/16-18 NYLOCK NUT	SHREDDER HOPPER
	COLLECTION BAG	4 EA - 5/16 USS FLAT WASHERS	SHREDDER HOPPER
	SAFETY GLASSES	2 EA - CABLE GUIDE	DISCHARGE FLAP
	BOLT BAG		

ASSEMBLY INSTRUCTIONS

Your leaf shredder-chipper has been shipped with the basic unit completely assembled, leaving only the discharge cover and feed hopper assembly. Before beginning assembly, make sure all parts have been received and are in good condition. If there are shortages or damage contact your local dealer, distributor or call the factory.

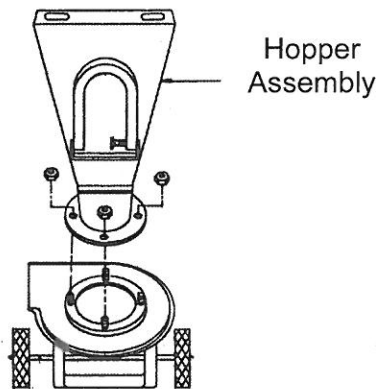
In the following instructions, the item number refers to the part number in drawing number 804-0000 found in the back of this manual. This will help guide you during the assembly process.

HOW TO SET UP YOUR LEAF SHREDDER-CHIPPER



MAKE CERTAIN THE SPARK PLUG WIRE IS DISCONNECTED AND MOVED AWAY FROM THE SPARK PLUG BEFORE ASSEMBLING THE LEAF SHREDDER-CHIPPER.

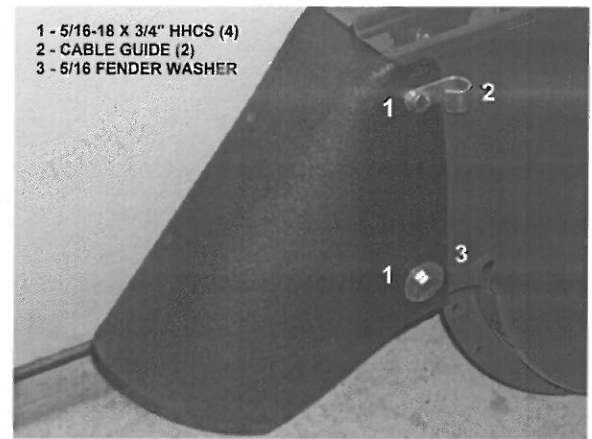
Figure 1
Attaching the Hopper
Assembly



1. Remove the basic machine, hopper assembly and all parts from the carton.
2. Tilt basic unit up on to front bumper.
3. Place feed hopper assembly onto the four threaded studs. Put four 5/16 USS flat washers on studs. Secure in place with four lock nuts provided (Figure 1). Tighten securely, being careful not to over-tighten. Over-tightening will break the stud off.

Attaching the Discharge Cover

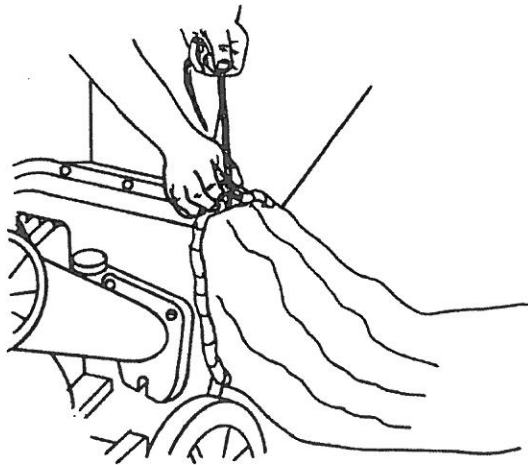
1. Lower kick stand and put entire unit into upright position.
2. Attach the bottom of the discharge cover with a 5/16-18 x 3/4" HHCS (1) and a fender washer (3).
3. Attach the top of the cover with a 5/16-18 x 3/4" HHCS (1) and a cable guide (2). Position the cable guide as shown in the picture. The cable guides help to hold the collection bag in place.
4. Push top tab of rubber discharge cover inside metal housing.
5. Repeat steps 2 and 3 to the other side.
6. Tighten all hardware securely.



ATTACHING THE CATCHER BAG

The shredder-chipper is equipped with a collection bag to catch the shredded material. To attach the bag, place the opening of the bag over the rubber discharge cover so it completely covers the chute opening and be sure the drawstring is behind the cable guides you attached in the previous step. These cable guides prevent the bag from blowing off the machine. Depress the plunger on the drawstring and pull on the drawstring until the bag is tight around the chute opening. Release plunger to lock drawstring into position (Figure 3).

Figure 3



LUBRICATION & ENGINE START UP

FOR INFORMATION ABOUT OIL AND FUEL, STARTING AND STOPPING PROCEDURES, RECOMMENDED MAINTENANCE, SERVICE, STORAGE AND ENGINE WARRANTY INFORMATION, REFER TO THE ENGINE OWNERS MANUAL.

THE ENGINE HAS BEEN SHIPPED DRY.

BE SURE TO SERVICE THE ENGINE ACCORDING TO THE ENGINE OWNER'S MANUAL PRIOR TO STARTING.

FAILURE TO DO SO CAN RESULT IN DAMAGE NOT WARRANTIED BY THE ENGINE MANUFACTUROR.

WARNING: Do not fill closer than 1/2 inch from the top of the fuel tank to prevent spills and to allow for fuel expansion. If gasoline is accidentally spilled, move the shredder-chipper away from the area of the spill. Avoid creating any source of ignition until gasoline vapors have disappeared.

CHECK ENGINE OIL LEVEL REGULARLY

CAUTION: Experience indicates that alcohol blended fuels (gasohol, ethanol, methanol) can attract moisture which leads to separation and formation of acids during storage. Acidic gas can damage the fuel system or an entire engine while in storage. To avoid engine problems, the fuel system should be empty before storage for periods over 30 days. For more information, refer to the engine owner's manual. Use fresh fuel each season. Never use engine or carburetor cleaner products in the fuel tank or permanent damage may result.

**CHECK OIL LEVEL PRIOR TO
STARTING ENGINE**

OPERATION

The leaf shredder-chipper is designed for three different methods of operation:

1. Shredding leaves in lowered position.
2. Shredding leaves in the upright position.
3. Chipping sticks and branches.



WARNING: THE SHREDDER-CHIPPER DISCHARGES MATERIALS WITH CONSIDERABLE VELOCITY. KEEP AWAY FROM THE AREA AROUND THE DISCHARGE COVER. ALWAYS STOP THE ENGINE AND DISCONNECT THE SPARK PLUG WIRE WHEN REMOVING OR ATTACHING THE BAG, WHEN CHANGING CONTAINERS, OR WHEN REMOVING THE SHREDDED MATERIAL. WEAR SAFETY GLASSES AND GLOVES WHENEVER USING YOUR SHREDDER-CHIPPER.

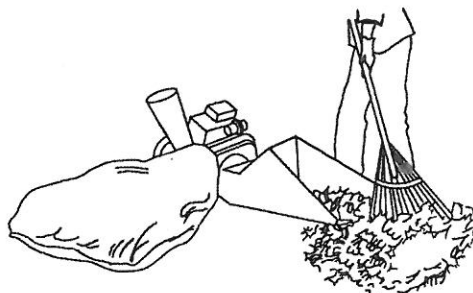
Leaves can be fed into the hopper assembly when it is in the upright or lowered position. If it becomes necessary to push material into the hopper, use a long wooden stick - **NOT YOUR HANDS**.

DO NOT DEPOSIT STICKS IN THE HOPPER ASSEMBLY FOR PROCESSING. THE HOPPER ASSEMBLY IS INTENDED FOR LEAVES ONLY. ALL STICKS AND BRANCHES ARE TO BE CHIPPED IN THE CHIPPER CHUTE.



Leaves can be raked into the hopper with the unit placed in the lowered position. **CAUTION: Do not operate** in the lowered position for more than 30 minutes continuously. See Figure 7.

Figure 7



DO NOT OPERATE IN LOWERED POSITION FOR MORE THAN 30 MINUTES CONTINUOUSLY.

To lower the hopper assembly, grasp the handles at the top of the hopper assembly and push forward and down. The kick stand will automatically fold up and out of the way. Lower the hopper to the ground.

Stalks or heavy branches up to 2 7/8" in diameter are to be fed into the chipper chute. See Figure 8.
NOTE: DO NOT USE THE CHIPPER TUBE WHEN THE UNIT IS IN THE DOWN POSITION.

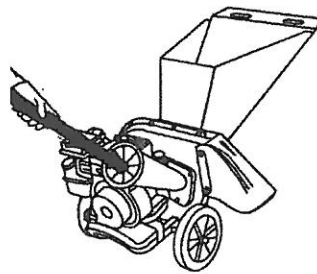


Figure 8

IMPORTANT: There is a screen located inside the housing in the discharge area. If the screen becomes clogged, stop the machine, disconnect the spark plug wire from the spark plug, and remove and clean as instructed in the Maintenance section.

MAINTENANCE SECTION

If the cutting mechanism strikes any foreign object or if your machine should start making an unusual noise or vibrating, stop the engine, disconnect spark plug wire from the spark plug. Allow the engine to cool before:

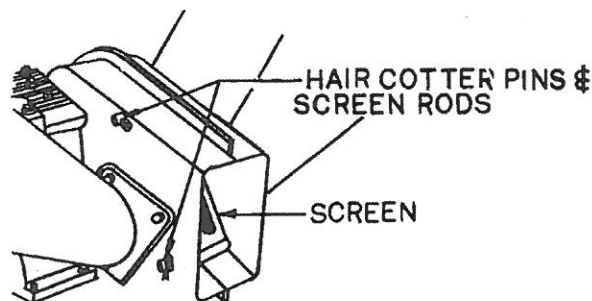
- a. Inspecting for obvious damage.
 - b. Checking for loose parts and tighten to assure continued safe operation.
 - c. Replacing or repairing any damaged parts.
- The engine governor setting on your machine must not be altered, changed or tampered with. The governor controls the maximum safe operating speeds and protects the engine and all moving parts from damage caused by over-revving.
 - Do not operate engine if air cleaner or cover directly over carburetor air intake is removed, except for adjustment. Removal of such parts could create a fire hazard.
 - Do not use flammable solutions to clean the air filter.

REMOVING THE SCREEN

If the discharge area becomes clogged, remove the screen and clean area as follows.

1. Stop the engine, make certain the leaf shredder-chipper has come to a complete stop and disconnect spark plug wire from the spark plug before attempting to unclog the discharge chute area.
2. Before removing screen, take notice of rolled tube placement on the screen.
3. Remove two hairpins clips from the screen rods which extend through the housing. Remove the screen rods. Lift the screen out from inside the housing. See Figure 10.
4. Clean the screen by scraping or washing with water.
5. Reinstall the screen, rods and hairpin clips before restarting the machine.
6. **NOTE:** Be certain to reassemble the screen with the rolled tubes facing out.

Figure 10



SHARPENING OR REPLACING CHIPPER KNIFE

Disconnect spark plug wire and move it away from spark plug.

Remove the screen as instructed in previous section.

Remove the chipper chute by removing three hex nuts and washers. A 1/2" wrench is required.

Rotate the impeller assembly by hand until you locate the chipper knife in the chipper chute opening. Remove the knife using a 3/16" Allen wrench on the outside of the blade and 1/2" wrench on the impeller assembly (inside the housing). See Figure 11. For added convenience, you can remove the rubber discharge cover.

Replace or sharpen knife. If sharpening, care must be exercised to maintain the correct bevel and a straight cutting edge.

Make certain the knife is reassembled with the sharp edge is assembled toward the slotted opening in the impeller assembly.

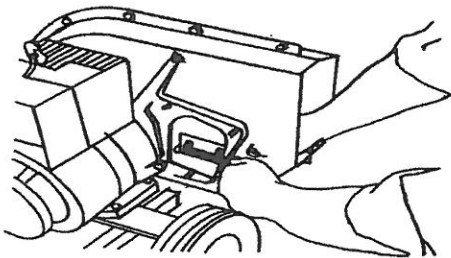


Figure 11

ENGINE SPEED

Your engine speed has been factory set. Do not attempt to increase engine speed, or it may result in personal injury. If you believe the engine is running too fast or too slow, take your leaf shredder-chipper to the nearest MacKissic servicing dealer.

**CHECK OIL LEVEL
BEFORE STARTING**

SERVICE RECOMMENDATIONS

SERVICE RECORD Fill in dates as you complete regular service	SCHEDULE						SERVICE DATES				
	First 5 Hours	Before Each Use	Every 25 Hours	Every 50 Hours	Begin- ning Each Season	Before Storage					
Check Fuel		✓									
Drain Fuel						✓					
Check Engine Oil Level		✓			✓						
Change Engine Oil	✓		✓								
Service Air Cleaner			✓								
Clean Engine Cylinder Fins			✓		✓						
Replace or Clean Spark Plug				✓		✓					
Spark Arrester Muffler				✓							

The Service Recommendations Chart is supplied to assist the operator in proper maintenance of the leaf shredder-chipper.

CLEANING

The leaf shredder chipper unit may be cleaned by running water from a hose through the hopper assembly and chipper chute with the engine running. Allow machine to dry thoroughly before storing.

You can wash the bag by hand periodically with water. Allow the bag to dry thoroughly in the shade. Do not use heat or throw the bag into a dryer.

STORAGE

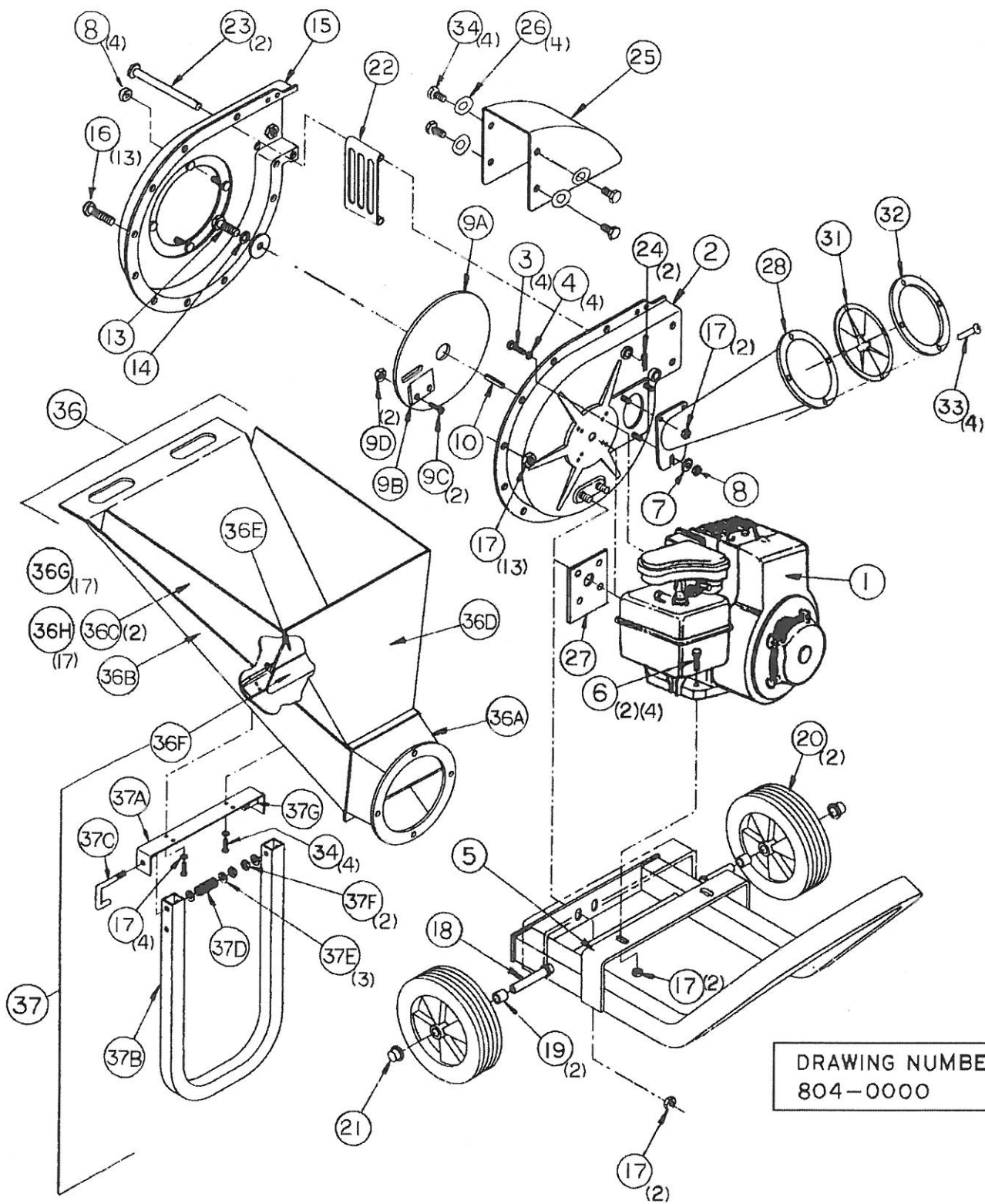
Never store your leaf shredder-chipper indoors or in an enclosed, poorly ventilated area if gasoline remains in the tank. Fumes may reach an open flame, spark or pilot light from a furnace, water heater, clothes dryer, cigarette, etc.

When not in use, your leaf shredder-chipper should be stored out of reach of children with the spark plug wire removed. Always allow the engine to cool before storing or covering. When storing your unit for extended periods of time, consult the engine manufacturer's owners manual for the proper procedure to storing your engine.

TROUBLE SHOOTING

PROBLEM	POSSIBLE CAUSE(S)	CORRECTIVE ACTION
Engine fails to start	<ol style="list-style-type: none"> 1. Fuel tank empty, or stale fuel. 2. Spark plug wire disconnected. 3. Faulty spark plug. 	<ol style="list-style-type: none"> 1. Fill tank with clean, fresh fuel. 2. Connect wire to spark plug. 3. Clean, adjust gap or replace.
Loss of power; operation erratic	<ol style="list-style-type: none"> 1. Spark plug wire loose. 2. Unit running on CHOKE. 3. Blocked fuel line or stale fuel. 4. Water or dirt in fuel system. 5. Carburetor out of adjustment. 6. Dirty air cleaner. 	<ol style="list-style-type: none"> 1. Connect and tighten spark plug wire. 2. Move choke lever to RUN position. 3. Clean fuel line; fill tank with clean, fresh gasoline. 4. Disconnect fuel line at carburetor to drain fuel tank. Refill with fresh fuel. 5. Adjust carburetor or contact your servicing dealer. 6. Clean or replace air filter.
Engine overheats	<ol style="list-style-type: none"> 1. Carburetor not adjusted properly. 2. Engine oil level low. 	<ol style="list-style-type: none"> 1. Adjust carburetor or contact your servicing dealer. 2. Fill crankcase with proper oil.
Too much vibration	Loose parts or damaged impeller assembly.	<ol style="list-style-type: none"> 1. Stop engine immediately and disconnect spark plug wire. Tighten all bolts and nuts. Make all necessary repairs. If vibration continues, have unit serviced by a servicing dealer.
Unit does not discharge	<ol style="list-style-type: none"> 1. Discharge chute clogged. 2. Foreign object lodged in impeller. 	<ol style="list-style-type: none"> 1. Stop engine immediately and disconnect spark plug wire. Clean screen and inside of blower housing. See MAINTENANCE section of this manual. 2. Stop engine immediately and disconnect spark plug wire. Remove lodged object.

NOTE: For repairs beyond the minor adjustments listed above, please contact your servicing dealer.



DRAWING NUMBER
804-0000

PARTS LIST – LSC1100M

ITEM #	PART #	QUANTITY	DESCRIPTION
1	030-0507	1	1100 Series B&S Engine
2	804-0004-NRH	1	Housing Weldment, Engine Side
2	090-0066	2	5/16-18 x 3/4" HHCS, GR5, pltd
3	090-0408	4	5/16-24 x 3/4" HHCS, GR5, pltd
4	090-0394	6	5/16 Med. Split Lockwasher pltd.
5	804-0025	1	Bumper Weldment
6	090-0090	4	5/16-18 x 1-1/2" HHCS, GR5, Pltd.
7	090-0233	3	5/16 USS Flat Washer, Pltd.
8	090-0460	5	5/16-18 Nylon Insert Locknut, Pltd.
9A	704-0109	1	Shredder Plate Weldment
9B	804-0016	1	Chipper Knife - 3 1/8"
9C	090-0413	2	5/16-18 x 1" Flat head. Socket Cap Screw
9D	090-0460	2	5/16-18 Nylon Insert Locknut Pltd.
10	703-0424	1	1/4" x 1/4" x 2" Lg. Shaft Key
12	090-0535	2	5/16-18 x 5/8" HHCS Nylon Patch
13	090-0021	1	3/8-24 x 1 1/4" Lg. HHCS, GR8, Blk.
14	090-0228	1	3/8 Med. Split Lockwasher, Pltd.
15	804-0005	1	Housing Weldment, Inlet Side
16	090-0067	13	5/16-18 x 5/8" HHCS, GR5, Pltd.
17	090-0418	25	5/16-18 Whiz Lock Nut, Pltd.
18	804-0223	1	Axle (LSC505)
19	030-0536	2	Axle Spacer
20	030-0641	2	4, 10/3.50 x 4 Pneumatic Wheels
21	090-0457	2	Push Cap
22	804-0214	1	Bar Screen
23	804-0024	2	Screen Rod pltd
24	706-0924	2	1/8" Hair Spring Cotter pltd
25	804-0051	1	Rubber Cover plain-3/16" thick
26	090-0502	2	5/16" Fender Washer pltd
27	804-0220	1	Engine to Housing Spacer
28	704-0152	1	Chipper Chute Weldment
31	804-0033	1	Chipper Chute Cover
32	804-0031	1	Tube Flange- Chipper
33	090-0512	4	3/16" x 13/32" lg Rivet
34	090-0066	4	5/16-18 x 3/4" HHCS
-	705-0079	1	Collection Bag
36	804-0002	1	Hopper Assembly (includes 36A through 36H)
36A	804-0191	1	Hopper Nose Weldment
36B	804-0041	1	Hopper Base
36C	804-0042	2	Hopper Sides
36D	804-0043	1	Hopper Front
36E	804-0044	1	Hopper Baffle
36F	804-0045	1	Hopper Blowback Shield
36G	090-0052	13	1/4-20 x 1/2" HHCS, gr5
36H	090-0453	18	1/4-20 Whiz Lock Nut pltd
37	804-0046	1	Kick Stand Assembly (includes 37A through 37G)
37A	804-0047	1	Bracket
37B	804-0048	1	Leg Stand
37C	804-0049	1	J-Bolt
37D	804-0050	1	Spring
37E	090-0233	3	5/16" USS Flat Washer pltd
37F	090-0461	2	3/8"-16 Nylon Insert Locknut, pltd.
37G	090-0119	1	3/8-16 x 2-1/4" HHCS, gr5, pltd.
38	706-2243	2	Cable Guide
-	091-0078	2	Caution decal 5" x 6"
-	091-0043	1	Approved engine/check oil frequently decal
-	091-0044	1	Recycle decal shredder-chipper
-	091-0164	2	Leaf shredder label
-	091-0062	1	Made-in-USA decal
-	060-0001	1	Safety Glasses
-	804-0221	1	Bumper to Housing Spacer

LIMITED WARRANTY

Any product manufactured by MacKissic, Inc. and found, in the judgment of MacKissic, Inc., to be defective in material or workmanship, will be repaired or replaced by an Authorized MacKissic Service Dealer without charge for parts and labor to the original owner of the MacKissic product.

The MacKissic product including any defective part must be returned to an Authorized MacKissic Service Dealer within the warranty period. The expense of delivering the product to the dealer for warranty work and the expense of returning it back to the owner after repair or replacement will be borne by the owner. MacKissic's responsibility is limited to making the required repairs or replacements only. No claim of breach of warranty shall be cause for cancellation or rescission of the sales contract of any MacKissic product. Proof of purchase will be required by the dealer to substantiate any warranty claim. All warranty work must be performed by an Authorized MacKissic Service Dealer.

This warranty is limited to two years from the date of original retail purchase for any MacKissic product (except Tillers) that is used for consumer purposes or 90 day for commercial and rental use.

This warranty does not cover any product that has been subject to misuse, abuse, neglect, negligence, or accident, or that has been operated in any way contrary to or inconsistent with the operating instructions as specified in the owner's manual. The warranty does not apply to any damage to the product that is the result of improper maintenance, or to any product or parts that have not been assembled or installed as specified in the owner's manual.

The warranty does not cover any product that has been altered or modified. In addition, the warranty does not extend to repairs made necessary by normal wear, or by the use of parts or accessories which, in the judgment of MacKissic, Inc., are either incompatible with the MacKissic product or adversely affect its operation, performance or durability. This warranty does not cover engines, electric starters, batteries, and tires which are warranted separately by their manufacturer and for a different period of time.

MacKissic, Inc. reserves the right to change the design of any product without assuming any obligation to modify any product previously manufactured.

THE DURATION OF THE LIMITED WARRANTY IS TWO YEARS CONSUMER, 90 DAYS COMMERCIAL AND RENTAL USE. REPAIR OR REPLACEMENT AS PROCEEDED UNDER THIS LIMITED WARRANTY IS THE EXCLUSIVE REMEDY OF THE PURCHASER. MacKissic, INC., SHALL NOT BE LIABLE FOR ANY INCIDENTAL OR CONSEQUENTIAL DAMAGES, EXCEPT THE LIMITED WARRANTY DESCRIBED ABOVE, ALL IMPLIED WARRANTIES (MERCHANTABILITY AND FITNESS FOR A PARTICULAR PURPOSE) ARE SPECIFICALLY DISCLAIMED.

MacKissic, INC. ASSUMES NO RESPONSIBILITY FOR INCIDENTAL, CONSEQUENTIAL OR OTHER DAMAGES INCLUDING, BUT NOT LIMITED TO, EXPENSE FOR GASOLINE, OIL, EXPENSE OF DELIVERING THE PRODUCT TO AN AUTHORIZED MacKISSIC SERVICE DEALER AND EXPENSE OF RETURNING IT BACK TO THE OWNER, MECHANIC'S TRAVEL TIME, TELEPHONE OR TELEGRAM CHARGES, RENTAL OF A LIKE PRODUCT DURING THE TIME WARRANTY REPAIRS ARE BEING PERFORMED, TRAVEL, LOSS OR DAMAGE TO PERSONAL PROPERTY, LOSS OF REVENUE, LOSS OF USE OF THE PRODUCT, LOSS OF TIME OR INCONVENIENCE.

This warranty gives you specific legal rights, and you may also have other rights that vary from state to state.