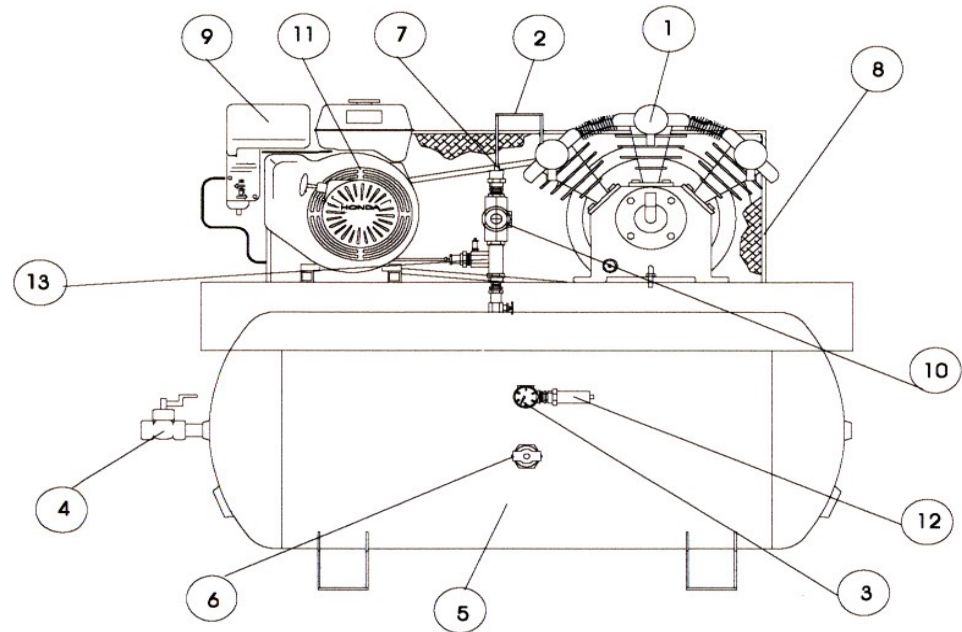


MAXair Premium Air Compressor part breakdown sheet - Single Stage Stationary Units 11G30TRKE-H-MAP

REVISED 5/31/17

Item	Description	
1	Compressor w/ Flywheel	PV05AHP Pump Assembly
2	Discharge Tube (2.5ft) ASSY	TU-1-26/90/00
3	Pressure Gauge	PGLF200-2.5BM1/4
4	Outlet Valve	BV3/4MF
5	Air Receiver (tank)	30H16X38TRK-Y
6	Drain Cock -Assembly	OSB WO DC ASSEMBLY
7	V-Belt	A72
8	Belt Guard	BG30GAL
9	Engine	GX-390UTQAE2-B
10	Unloader	NLG-6-120-150
11	Pulley - Engine	2MAL42
12	Safety Valve	PSV1/4-200
13	Engine Control w/ Cable	TCLP-36-3140
	Eagle Compressor Oil	EAOIL10



MAXair
PREMIUM

