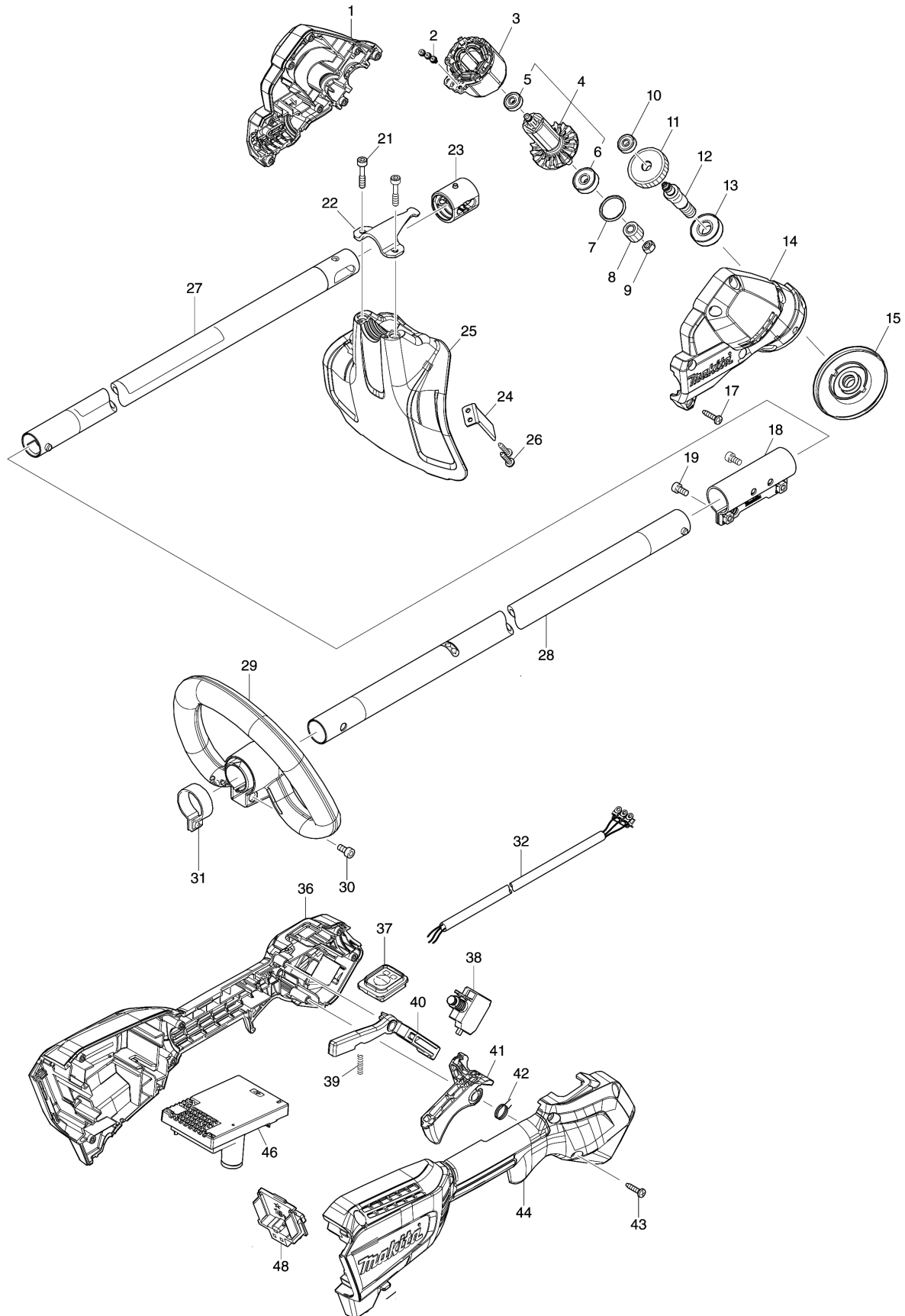




XRU23



Products with multiple versions are listed in subsiding order with the newest version on top not indented.

Section	Fig. No.	Part No.	Description	XRU23	Tech Bulletin	Notes
1	001	183R54-1	MOTOR HOUSING SET	1		INC. 14
1	002	652069-6	FLAT HEAD SCREW M3X6	3		
1	003	629A22-3	STATOR	1		
1	004	519643-2	ROTOR ASS'Y	1		INC. 5,6
1	005	210235-7	BALL BEARING 625ZZ	1		
1	006	210236-5	BALL BEARING 627ZZ	1		
1	007	213843-3	O-RING 21	1		
1	008	227883-5	HELICAL GEAR 11	1		
1	009	931302-2	HEX. NUT M6	1		
1	010	210235-7	BALL BEARING 625ZZ	1		
1	011	227830-6	HELICAL GEAR 32	1		
1	012	327678-7	CUTTER SHAFT	1		
1	013	210216-1	BALL BEARING 6001DDW	1		
1	014	183R54-1	MOTOR HOUSING SET	1		INC. 1
1	015	140W47-1	RECEIVE WASHER COMPLETE	1		
1	017	266326-2	TAPPING SCREW 4X18	8		
1	018	347747-8	JOINT 24	1		
1	019	922207-7	HEX. SOCKET HEAD BOLT M5X10	2		
1	021	251513-6	H.S.H.BOLT M5X25	2		
1	022	347734-7	PROTECTOR CLAMP	1		
1	023	424567-8	RUBBER SLEEVE 24	1		
1	024	346855-2	CUTTER	1		
1	025	412580-8	PROTECTOR N 330	1		
1	026	266326-2	TAPPING SCREW 4X18	2		
1	027	140W44-7	PIPE COMPLETE A	1		
1	028	140W45-5	PIPE COMPLETE B	1		
1	029	457937-6	LOOP HANDLE 24	1		
1	030	922212-4	HEX. SOCKET HEAD BOLT M5X12	1		
1	031	347011-7	PIPE CLAMP 29	1		
1	032	699157-8	POWER SUPPLY CORD UNIT	1		
1	036	183R55-9	GRIP HOUSING SET	1		INC. 44
1	037	140W41-3	SWITCH CIRCUIT COMPLETE	1		
1	038	651494-8	SWITCH C3JW-1A-PA-2	1		
1	039	233101-1	COMPRESSION SPRING 4	1		

Products with multiple versions are listed in subsiding order with the newest version on top not indented.

Section	Fig. No.	Part No.	Description	XRU23	Tech Bulletin	Notes
1	040	412863-6	LOCK OFF LEVER	1		
1	041	459758-2	SWITCH LEVER	1		
1	042	233622-3	TORSION SPRING 12	1		
1	043	266326-2	TAPPING SCREW 4X18	8		
1	044	183R55-9	GRIP HOUSING SET	1		INC. 36
1	046	620D78-7	CONTROLLER	1		
1	048	644809-6	TERMINAL	1		