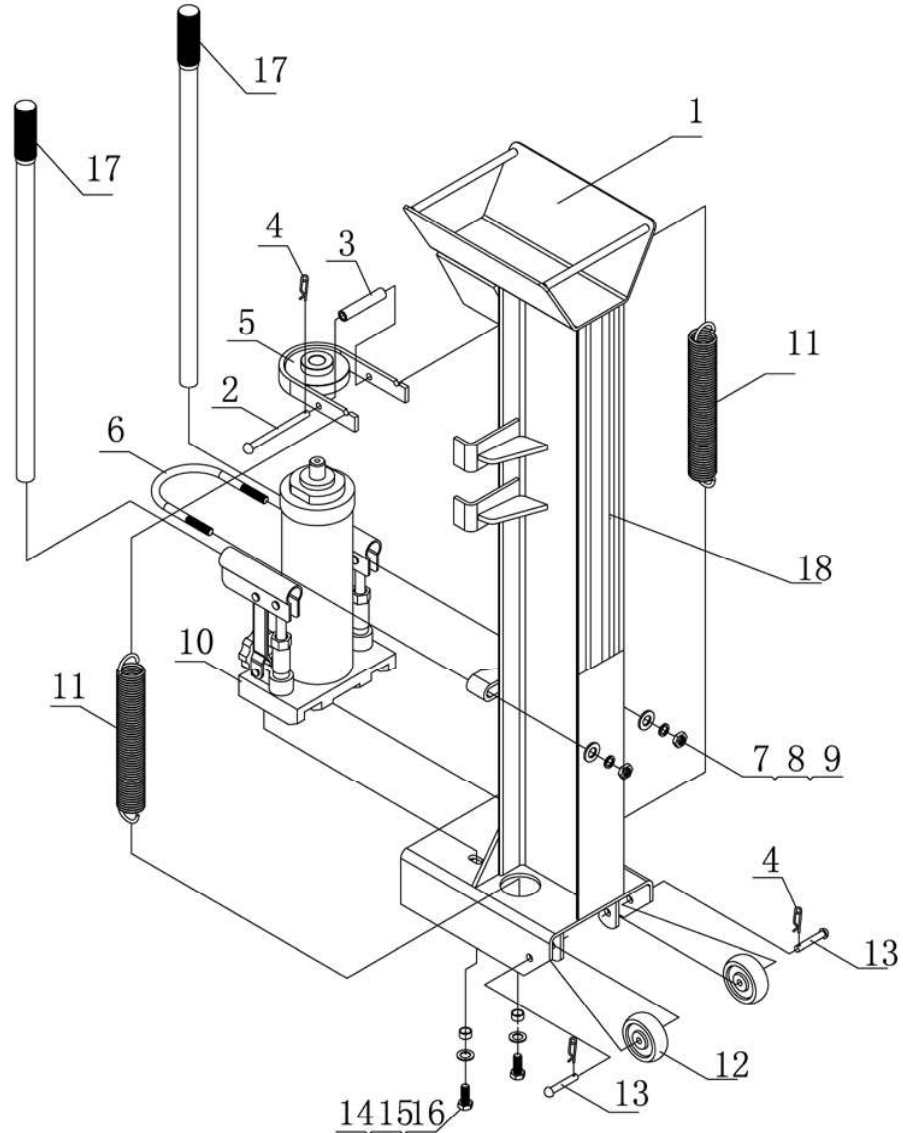


Parts Drawing & Parts List



Ref#	Drawing No.	Description	Qty
1	N020-10000	Wedge Base	1
2	N020-00003-DX	Pin	1
3	N020-00004-DX	Spacer	1
4	E041-60029	Lock Spring	3
5	N020-20000	Ram Plate	1
6	N020-00001-DX	U-Bolt	1
7	939903-10000-DX	Big Flat Washer Ø10	2
8	9206-10000-DX	Lock Washer Ø10	2
9	9201-10000-DX	Hex Nut M10	2
10	N020-30000	Ram Assembly	1
11	N020-00002-FH	Ram Return Spring	2
12	N020-00005	Wheel	2
13	N020-00006	Wheel Axle	2
14	9301-08000-DX	Flat Washer Ø8	2
15	N020-00008-DX	Spacer	2
16	9101-08020-DX	Hex Bolt M8x20	2
17	N020-30023	Handle Assembly	2
18	N020-00009	Rubber Blanket	1