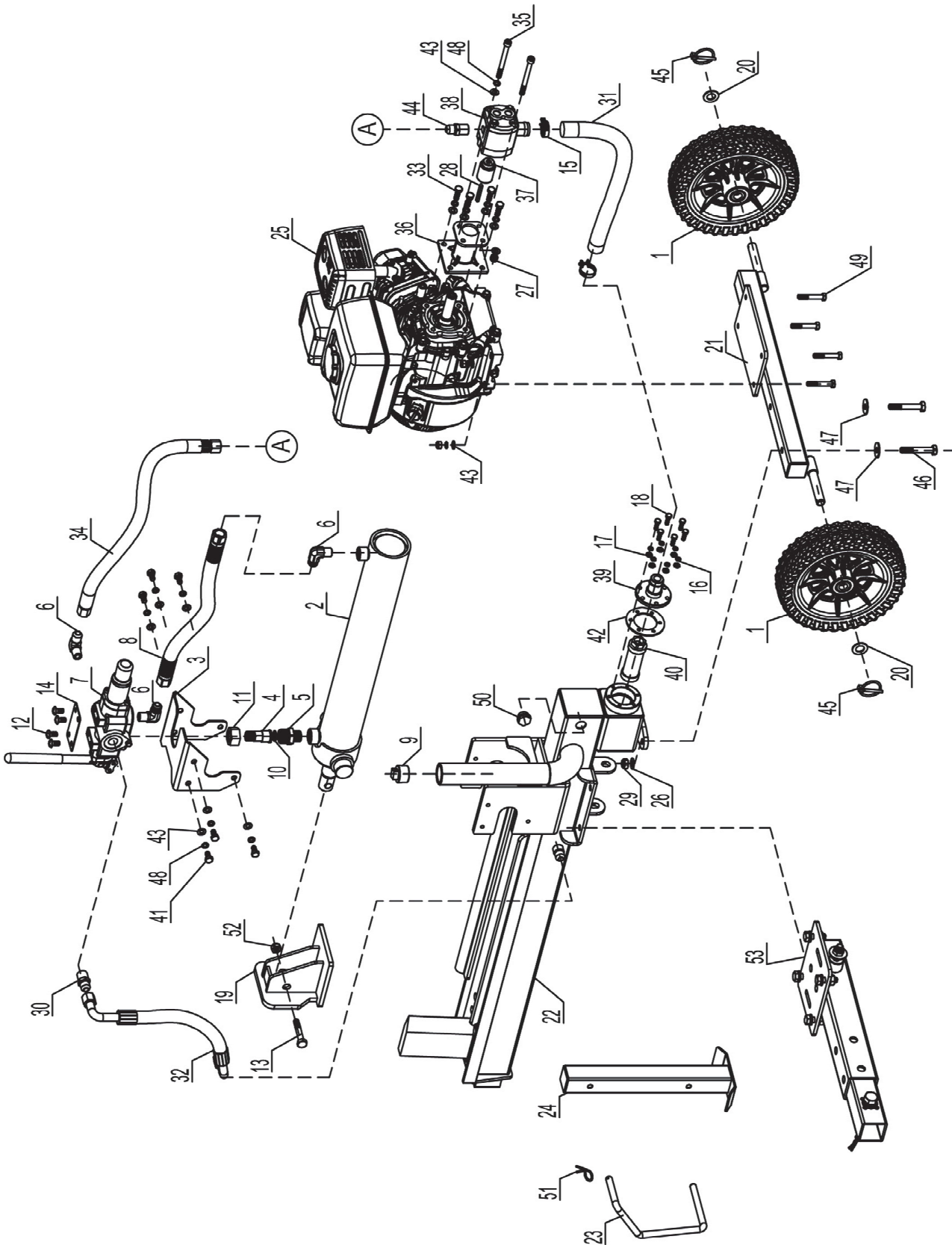


DRAWING AND PARTS LIST



DRAWING AND PARTS LIST

Ref#	Drawing No.	Description	Qty
1	MS12A-00001	10-2.75" Flat Free Tire	2
2	LS0900-04000	Cylinder	1
3	LSE12-00003	Cylinder Cover	1
4	LS12-00006-DX	Valve B Joint	1
5	LSA22-00009-DX	Connector	1
6	LS12J-00011-DX	Connector	3
7	LS12-09000	Single Handle Control Valve	1
8	LS0900-00003	Hydraulic Hose (valve-cylinder)	1
9	LSP25-13001-DX	Oil Bolt	1
10	9901-16X2.5	O Ring Ø16x2.5	1
11	LSP25-17002-DX	Nut	1
12	9110-08010-DX	Screw M8x10	4
13	9101-12065-DX8.8	Hex Bolt M12x65	1
14	LSA22-00025	Plate	1
15	LSP25-00011-BXG	Clamp	2
16	9306-06000-DX	Lock Washer Ø6	6
17	9301-06000-DX	Flat Washer Ø6	6
18	9101-06020-DX8.8	Hex Bolt M6x20	6
19	LS0900-05000	Push Plate	1
20	9301-16000-DX	Flat Washer Ø16	2
21	LS0900-02000	Wheel Stand Assembly	1
22	LS0900-01000	Beam Assembly	1
23	LS0900-00004-DX	Handle	1
24	LS0900-03000	Support Leg	1
25	/	Engine	1
26	9301-10000-DX	Flat Washer Ø10	2
27	9206-08000-DX	Nylon Lock Nut M8	5
28	/	Flat Key	1
29	9206-10000-DX	Hex Lock Nut M10	2
30	LS12J-00007-DX	Straight Connector	1
31	/	Clear Oil Pipe	1
32	LS0900-00002	Oil Return Hydraulic Hose	1
33	9101-08025-DX8.8	Hex Bolt M8x25	4
34	LS0900-00001	Oil Inlet Hydraulic Hose	1
35	9105-08090-FH10.9	Inner Hex Socket Head Bolt M8x90	2
36	LS12-07003	Gear Pump Stand	1
37	LS12-07002	Spline Coupling	1

Ref#	Drawing No.	Description	Qty
38	LS0900-07001	Gear Pump	1
39	LS12-04000-DX	Oil Filter Mounting Plate	1
40	LS12-00011	Oil Filter	1
41	9101-08016-DX8.8	Hex Bolt M8x16	6
42	LS12-00010	Rubber Washer	1
43	9301-08000-DX	Flat Washer Ø8	16
44	LS12J-00010-DX	Straight Connector	1
45	TS600-00009-DX	O Lock Ring	2
46	9101-10065—DX8.8	Hex Bolt M10x65	2
47	9302-10000-DX	Large Flat Washer Ø10	2
48	9306-08000-DX	Lock Washer Ø8	15
49	9010-08040-DX8.8	Hex Bolt M8x40	4
50	9702-20000	Screw-in Round Oil Mark	1
51	N280-00041-DX	R Pin	1
52	9206-12000-DX	Hex Lock Nut M12	1
53	LS0900-06000	Hitch Accessory	1