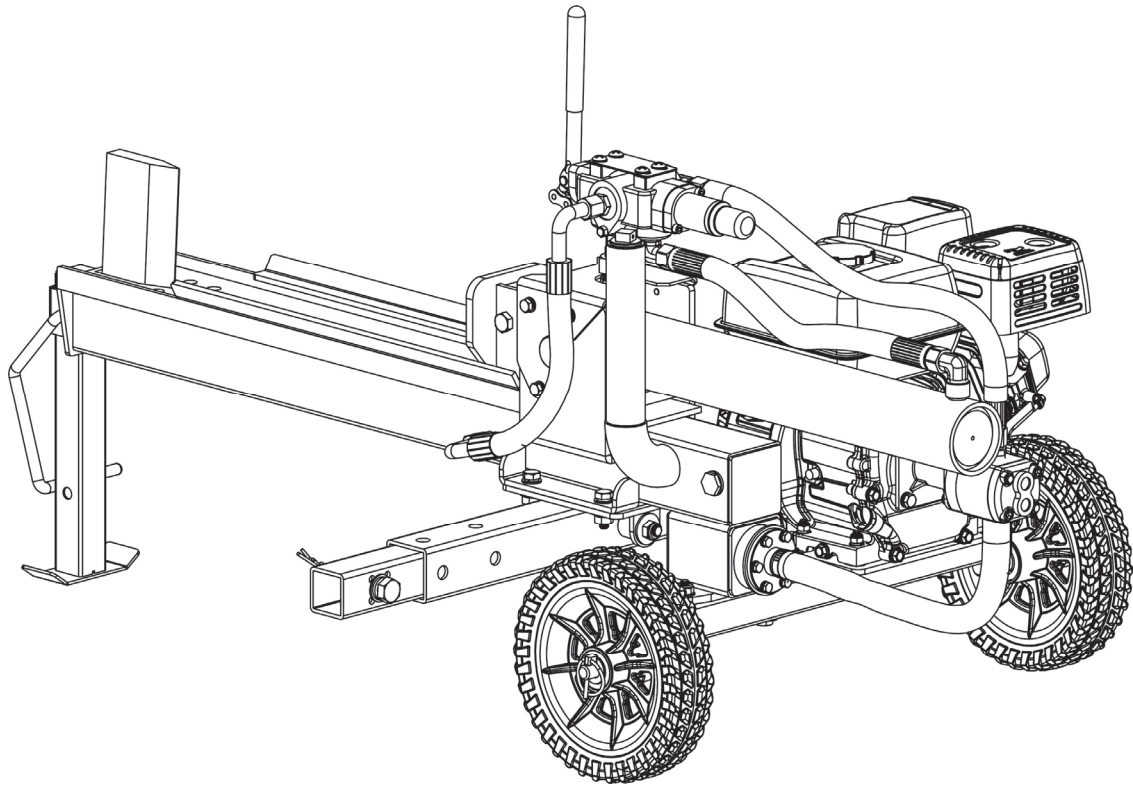


# 9 TON LOG SPLITTER



## INSTRUCTION MANUAL

### ASSEMBLY AND OPERATING INSTRUCTIONS



This safety alert symbol identifies important safety messages in this manual. Failure to understand and follow safety, assembly and operating instructions could result in serious injury or death.

# Table of Contents

Important Safety Information.....	3-5
Intended Use.....	3
Personal Protective Equipment.....	3
General Safety.....	4
Work Area.....	4
Preparing Logs for the Splitter.....	4
Operation of the Log Splitter.....	4
General Repair.....	4
Maintenance Safety.....	5
Fire Prevention.....	5
Safe Transport.....	5
Package Contents.....	6
Assembly Instructions.....	7-12
Controls and Features Identification.....	13
Operating Instructions.....	14-16
Maintenance and Storage.....	17
Troubleshooting.....	18-20
Specifications.....	21
Drawing and Parts List.....	22-24
Limited Warranty.....	25



## IMPORTANT SAFETY INFORMATION



**WARNING:** Read and understand all instructions and safety information in this manual and on safety decals before assembling and/or operating the log splitter. Failure to understand and follow all instructions and safety information may result in serious injury or death. Persons who have not read the manual should never operate the log splitter. A log splitter can be dangerous when assembled and/or used improperly. Do not operate the log splitter if you have any questions concerning safe operation. Please call the customer support department at 1-888-723-6534 for answers to any questions regarding safe operation of the log splitter.



**WARNING:** This product can expose you to chemicals including lead and lead compounds which are known to the State of California to cause cancer and birth defects or other reproductive harm. For more information, go to [www.P65Warnings.ca.gov](http://www.P65Warnings.ca.gov)



This is the safety alert symbol. It is used to alert you to potential personal injury hazards. Obey all safety messages that follow this symbol to avoid possible injury or death.



**DANGER** indicates a hazardous situation which, if not avoided, will result in serious injury or death.



**WARNING** indicates a hazardous situation which, if not avoided, could result in serious injury or death.



**CAUTION** indicates a hazardous situation which, if not avoided, could result in minor or moderate injury.



**NOTICE** is used to address important information not related to personal injury.

### **INTENDED USE**

**NEVER** use the log splitter for any purpose besides splitting wood. The log splitter is designed **only** for splitting wood. Using the log splitter for any other purpose can result in serious injury or death and may void the warranty.

### **PERSONAL PROTECTIVE EQUIPMENT**



**BEFORE** operating the log splitter always be sure to put on appropriate safety gear, including eye protection (goggles), steel-toed shoes and tight-fitting gloves (avoid loose cuffs and draw strings). Also, the use of proper hearing protection (headphones) is required when operating the log splitter.

### **SAFETY DECALS**

**ALWAYS** check that all safety warning decals are in good condition and readable. Immediately replace any missing or damaged decals. Please call the customer support department at 1-888-723-6534 to obtain replacement decals.



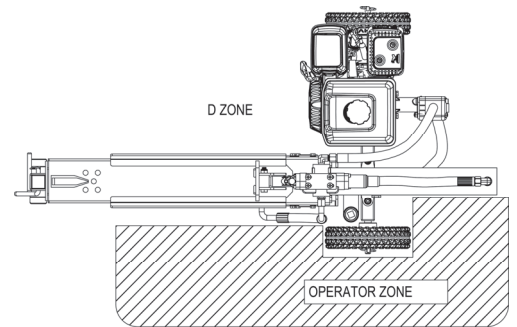
## IMPORTANT SAFETY INFORMATION

### GENERAL SAFETY

- **ALWAYS** keep the operator's manual in the canister for reference. Review the manual periodically and whenever questions arise.
- **ALWAYS** keep all bystanders and pets a minimum of 10 feet away from your work area when operating the log splitter. Only the operator should be near the log splitter during use.
- **NEVER** activate the control valve until all people are clear of the work area.
- **NEVER** wear loose clothing or jewelry when operating the log splitter. Keep clothing and hair away from all moving parts when operating the log splitter.
- **NEVER** allow adults without proper instruction and operational knowledge to use the log splitter.
- **NEVER** operate the log splitter when under the influence of drugs, alcohol or medication or when otherwise not alert enough to operate the log splitter.
- **DO NOT** allow children to play on, stand upon, climb on or operate the log splitter at any time.

### WORK AREA

- **NEVER** operate the log splitter on wet, icy, slippery or unstable ground.
- **NEVER** operate the log splitter in an enclosed area. Exhaust fumes contain the deadly poison carbon monoxide.
- **ONLY** operate the log splitter with adequate lighting in the work area.
- **ONLY** operate the log splitter on level ground. Operating on a slope may cause the log splitter to move and/or logs to fall off the log splitter.
- **ALWAYS** keep the work area free of debris. Remove any split wood around the log splitter immediately to avoid tripping.



### PREPARING LOGS FOR THE SPLITTER

Before placing logs on the log splitter, log ends should be cut as squarely as possible. The square shape of the log helps prevent the logs from moving during splitter operation. The maximum log length is 20 inches.

### OPERATION OF THE LOG SPLITTER

- **ONLY** operate the log splitter from the operator zone as shown in the diagram. Operating the log splitter outside the operator zone can result in serious injury or death.
- **ALWAYS** chock the wheels to prevent the log splitter from moving while operating the log splitter.
- **ALWAYS** know how to stop the log splitter and disengage the controls before operating the log splitter.
- **NEVER** attempt to split a log against the grain.
- **NEVER** attempt to split two logs at the same time.
- **NEVER** step over the log splitter during operation.
- **NEVER** reach or bend over the log splitter to pick up a log while splitter is in use.
- **NEVER** attempt to load the log splitter when the wedge is in motion.
- **NEVER** place hands or feet between the log and splitting wedge during forward or reverse stroke, as this could result in serious injury or death.
- **NEVER** use your foot, a rope or any extension device to operate the control lever on the valve. Only use hands to operate the control levers.
- **NEVER** touch the muffler and other hot areas of the engine. Allow time for the engine to cool down before touching.
- **NEVER** move the log splitter while the engine is running.
- **NEVER** leave the log splitter running unattended, even for a short period of time. Before leaving the log splitter always turn off the engine.

### GENERAL REPAIR

- **NEVER** operate the log splitter if it is in poor mechanical condition or needs repairs.
- **NEVER** alter/modify the log splitter as any alterations/modifications may make the log splitter unsafe and void the warranty.
- **NEVER** perform any service or repair on the log splitter without first removing the spark plug wire.
- **NEVER** tamper with the engine settings. The maximum engine speed is preset by the manufacturer and conforms with safety limits. Refer to the engine owner's manual for the particular log splitter.
- **ALWAYS** perform all recommended maintenance procedures before using the log splitter.
- **ALWAYS** check the level of hydraulic oil and engine oil before operating the log splitter.
- **NEVER** attempt to remove stuck logs while the log splitter is running.
- **ALWAYS** replace all damaged or worn parts immediately with parts approved by the manufacturer.
- **ALWAYS** check regularly that all nuts, bolts, screws, hydraulic fittings and hose clamps are tight.
- **ALWAYS** be sure any and all replacement parts meet the manufacturer's specifications.



## IMPORTANT SAFETY INFORMATION

### **MAINTENANCE AND SAFETY**

- The mechanical and hydraulic systems of the log splitter require careful inspection. Be sure to replace any damaged hydraulic hoses or components immediately to ensure safe operation of the log splitter.
- **NEVER** check for leaking hydraulic fluid by using your hands. Leaking hydraulic fluid under pressure can potentially penetrate the skin causing **SERIOUS INJURY** or even **DEATH**. Leaks can be safely detected by holding a piece of cardboard over the suspected leak and looking for discoloration.
- **NEVER** remove the cap from the hydraulic tank while the log splitter is running. The tank contains hot oil under pressure which could cause serious injury if released from the tank.
- **NEVER** adjust the relief valve setting on the log splitter. The pressure relief valve on the log splitter is preset by the manufacturer. Only a qualified service technician should perform any adjustments.
- **ALWAYS** immediately seek medical attention if injured by escaping hydraulic fluid. Serious infections or reactions can develop if proper medical treatment is not quickly administered.
- **ALWAYS** check the system is not under any pressure by shutting off the engine and moving the valve control handle back and forth. Check for pressure before loosening or removing any hydraulic fitting.
- **ALWAYS** keep the beam and wedge free of debris buildup.

### **FIRE PREVENTION**

- **ONLY** refuel the log splitter in clear areas with no gas fumes and no spilled gas.
- **NEVER** operate the log splitter near flames, sparks or smoke. Hydraulic oil and gasoline are flammable and potentially explosive.
- **NEVER** add fuel to the log splitter while the engine is hot or running. Allow the engine to cool completely before refueling.
- If gasoline spills, move the log splitter away from the area of the spill and avoid creating any source of ignition.
- **ALWAYS** securely replace the gas cap.
- **ALWAYS** clean wood debris from the muffler area of the engine.
- **ALWAYS** store gasoline in an appropriate, tightly sealed container. Store the gas container in a cool, dry place and away from any heat sources.

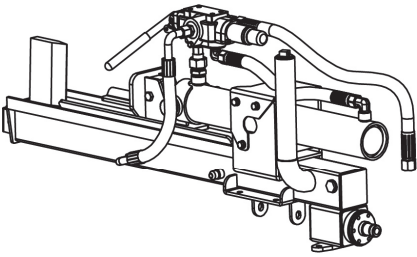
### **IMPORTANT NOTE: SPARK ARRESTOR-REGULATION:**

As a precautionary measure against possible flying sparks, always have a Class B fire extinguisher on hand when operating the log splitter in dry areas. The log splitter is equipped with an internal combustion engine that generates heat and potential flying sparks. Only use the log splitter on or near any unimproved, forest-covered, brush-covered or grass-covered land if the engine's exhaust system is equipped with a spark arrester in compliance with any applicable local or state laws. Spark arresters should be effectively maintained and serviced. In the state of California, a spark arrester is required by law and other states have similar laws. Federal laws will apply when operating the log splitter on federal land. Always research and comply with applicable state, local and federal laws and regulations. A spark arrester muffler is optional and available as an accessory at your nearest engine dealer.

### **SAFE TRANSPORT**

- **NEVER** tow the log splitter behind a vehicle as the wheels and log splitter orientation are incompatible with towing. Attempting to tow the log splitter may damage or destroy the wheels or other parts of the log splitter.
- **To safely transport the log splitter secure it on top of a trailer or other transporting vehicle.**
- **NEVER** move the log splitter over hilly or uneven terrain without the proper vehicle and adequate help for safe movement.
- **NEVER** exceed the weight capacity of hitch or load limits of the transporting vehicle.
- **ALWAYS** use caution when transporting the log splitter and check carefully that the log splitter is securely attached to the transporting vehicle.
- **ALWAYS** confirm hitch accessory tightness before and after transporting the log splitter.
- **ALWAYS** disconnect the log splitter from the carrying vehicle before operating.
- **ALWAYS** check for and replace a damaged hitch.
- **ALWAYS** turn the fuel shut off valve on the engine to the "OFF" position before transporting the log splitter. Failure to turn off the engine before transport can flood the engine and damage the engine.

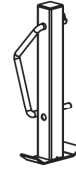
# PACKAGE CONTENTS



Beam Assembly



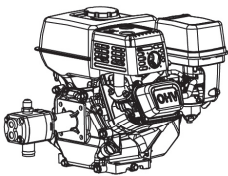
Wheel



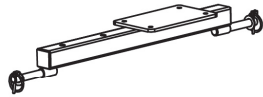
Support Leg



Clear Oil Pipe



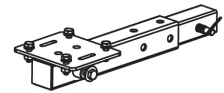
Engine



Wheel Stand  
Assembly



Hardware Kits



Hitch Accessory

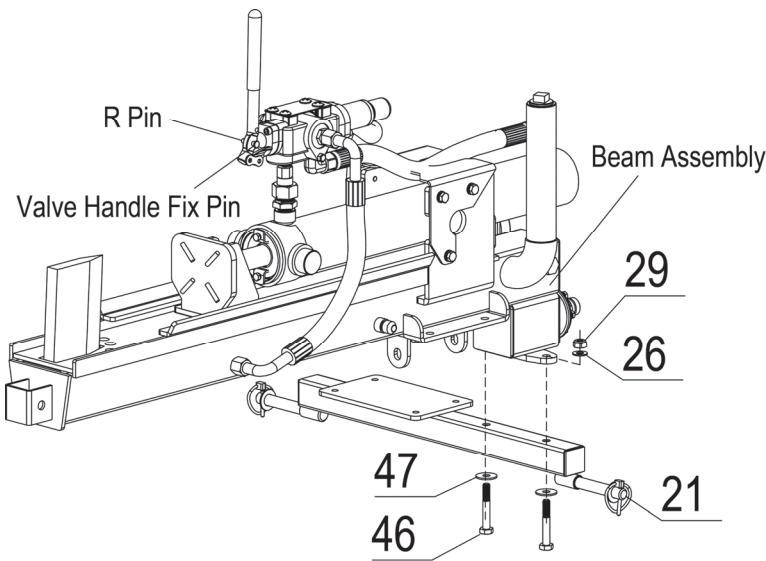
# ASSEMBLY INSTRUCTIONS

## TOOLS REQUIRED

- Screw Driver
- Hammer
- Band Cutter
- 13mm, 17mm and 24mm Wrenches
- Large Adjustable Wrench

## STEP 1: Attach the Wheel Stand Assembly to the Beam Assembly

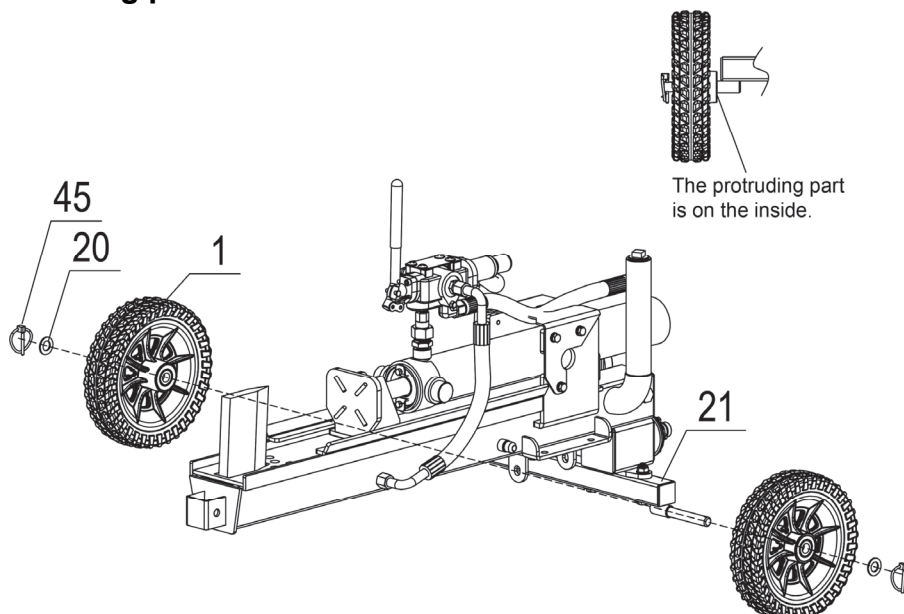
- 1.1 Remove the valve handle fix pin from the valve, then reinstall the pin with the handle in a vertical position.
- 1.2 Attach the wheel stand assembly (#21) to the beam assembly using the hex bolts M10x65 (#46), large flat washers Ø10 (#47), flat washers Ø10 (#26) and the lock nut M10 (#29).



## STEP 2: Attach the Wheels

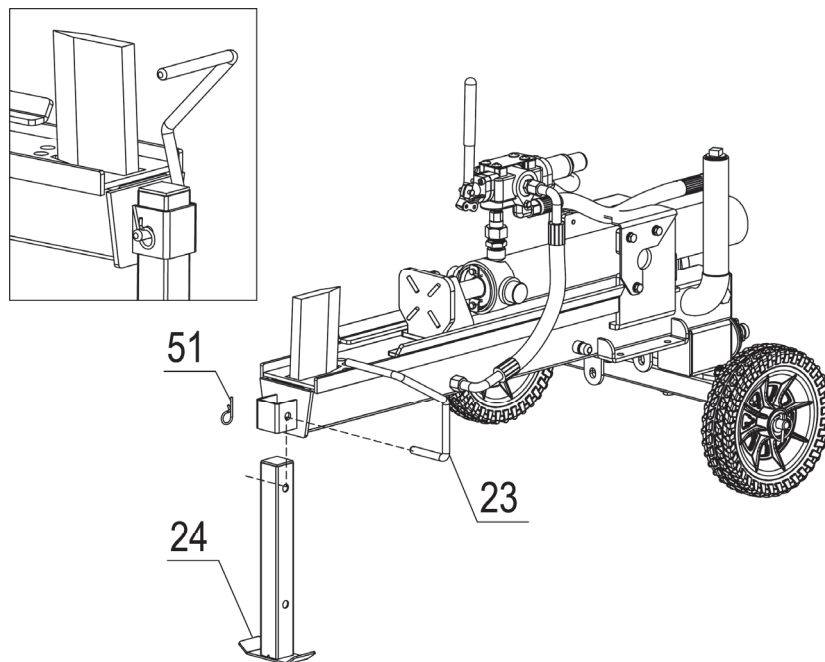
- 2.1 First remove the O lock ring (#45) and the flat washer Ø16 (#20), then attach the wheel (#1) to the wheel stand (#21) using the flat washer Ø16 (#20) and the O lock ring (#45). Repeat the same process on other side to attach the second wheel.

**Note: The protruding part is on the inside of the wheel.**



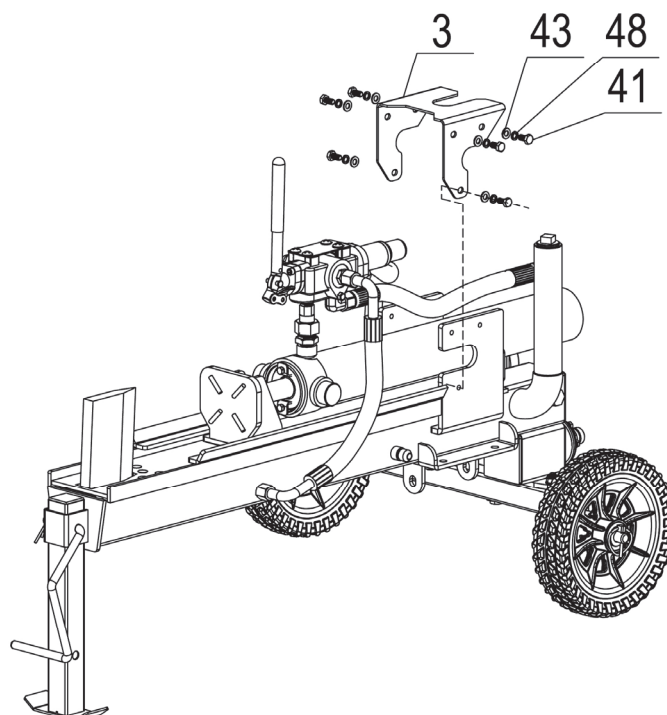
### STEP 3: Attach the Support Leg

- 3.1 Attach the support leg (#24) to the square tube on the beam assembly, then insert the handle (#23) into the hole in the direction shown in the figure. Finally, insert the R pin (#51) from the bottom up into the hole to secure the leg.



### STEP 4: Remove the Cylinder Cover

- 4.1 Remove the cylinder cover (#3) from the beam assembly. Do NOT discard the hex bolt M8x16 (#41), the lock washer Ø8 (#48) or the flat washer Ø8 (#43).

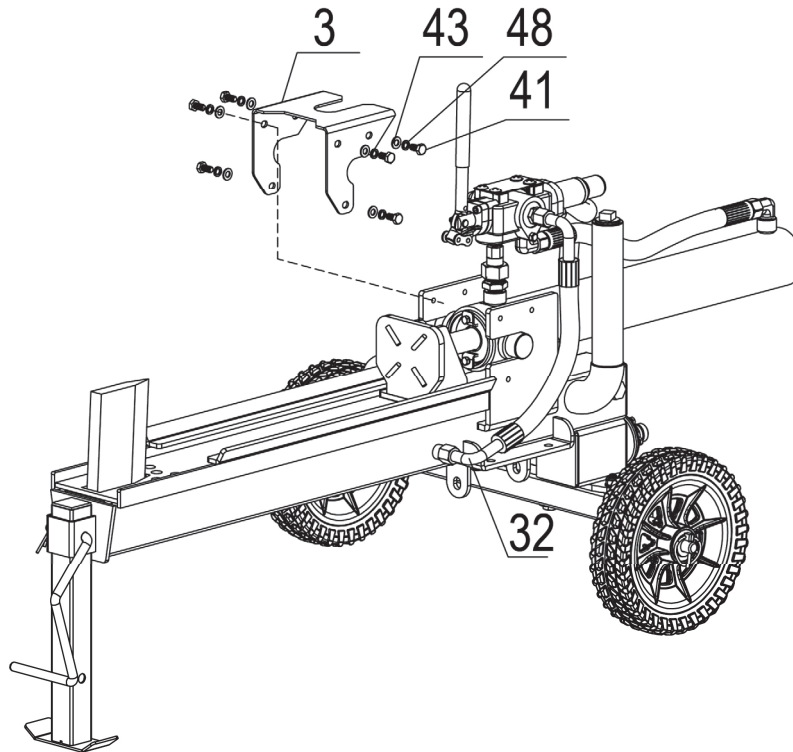




## STEP 5: Attach the Cylinder Cover and the Hydraulic Hose

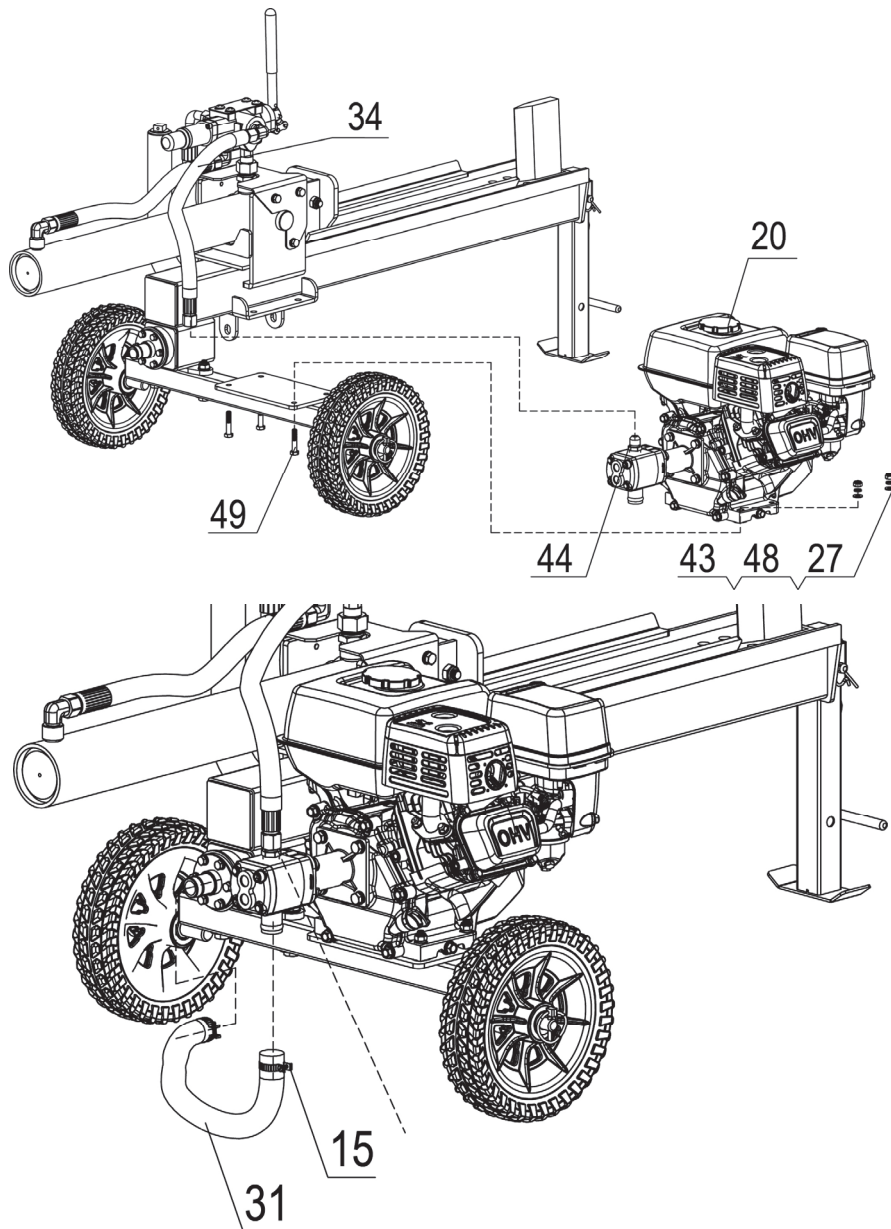
- 5.1 Pull the cylinder assembly back until the two mounting ears on the cylinder snap into the groove, then re-install the cylinder cover (#3) into its' original position and tighten it with the hex bolt M8x16 (#41), the lock washer Ø8 (#48) and the flat washer Ø8 (#43).
- 5.2 Remove the plug from the hydraulic hose, then install the hydraulic hose (#32) onto the beam. To properly attach the hose, screw in a few teeth by hand into the correct location then tighten it with a wrench.

**A small amount of oil may leak from the hoses when the plugs are removed. To prevent oil from dripping on the ground, use a small pail to catch any oil and put down cardboard.**



## STEP 6: Attach the Engine to the Mounting Plate

- 6.1 Attach the engine (#20) to the mounting plate using the hex bolt M8x40 (#49), the flat washer Ø8 (#43), the lock washer Ø8 (#48) and the lock nut M8 (#27).
- 6.2 Remove the plugs from the hydraulic hose and the gear pump connector. Attach the hydraulic hose (#34) to the connector of the gear pump (#44). When attaching the hose hand screw in a few teeth then tighten it with a wrench.
- 6.3 Remove the plug from the gear pump connector, then attach one side of the clear oil pipe (#31) to the connector of the gear pump (#44). Remove the film bag from the opening of the oil filter mounting plate, then attach the other side of the clear oil pipe to the opening of the oil filter mounting plate. Secure the clear oil pipe with the clamp (#15).



## STEP 7: Add Engine Oil

- 7.1 Make sure the log splitter is on a flat, level surface.
- 7.2 Remove the oil fill cap/dipstick before adding the engine oil.
- 7.3 Refer to the separate owner's engine manual to determine the amount of SAE10W-30 engine oil needed; add the correct amount of engine oil and replace the oil fill cap/dipstick.
- 7.4 Check the engine oil level daily and add more engine oil to maintain proper levels as needed.

**NOTE:** During the break-in period, engine may use oil quickly so check the engine oil level often.

### CAUTION

**DO NOT** attempt to crank or start the engine before properly filling with the recommended type and amount of engine oil. Failure to follow instructions regarding engine oil may damage or destroy the log splitter and will void the log splitter's warranty.

## STEP 8: Add Gasoline to the Engine

- 8.1 Use only clean, fresh, regular unleaded gasoline with a minimum 87 octane rating.
- 8.2 DO NOT mix oil with gasoline.
- 8.3 Remove the fuel cap and slowly add gasoline to the tank. DO NOT overfill the tank and always allow approximately ¼ inch of space for fuel expansion.
- 8.4 Screw on the fuel cap and wipe away any spilled gasoline.

### DANGER

Log splitter engine exhaust contains carbon monoxide, a colorless, odorless, poison gas. Breathing carbon monoxide will cause nausea, dizziness, fainting or death. If you start to feel dizzy or weak, get to fresh air immediately.

Only operate the log splitter outdoors and in a well-ventilated area.

DO NOT operate the log splitter inside any building, enclosure or compartment.

DO NOT allow exhaust fumes to enter a confined area through windows, doors, vents or other openings.

**DANGER CARBON MONOXIDE**, using a log splitter indoors **CAN KILL YOU IN MINUTES**.

### CAUTION

Fuel and fuel vapors are highly flammable and extremely explosive.

Gasoline fires and explosions may cause severe burns, bodily injury or death.

Unintentional startup may result in entanglement, traumatic amputation or laceration.

Only use regular unleaded gasoline with a minimum 87 octane rating.

DO NOT mix oil and gasoline together.

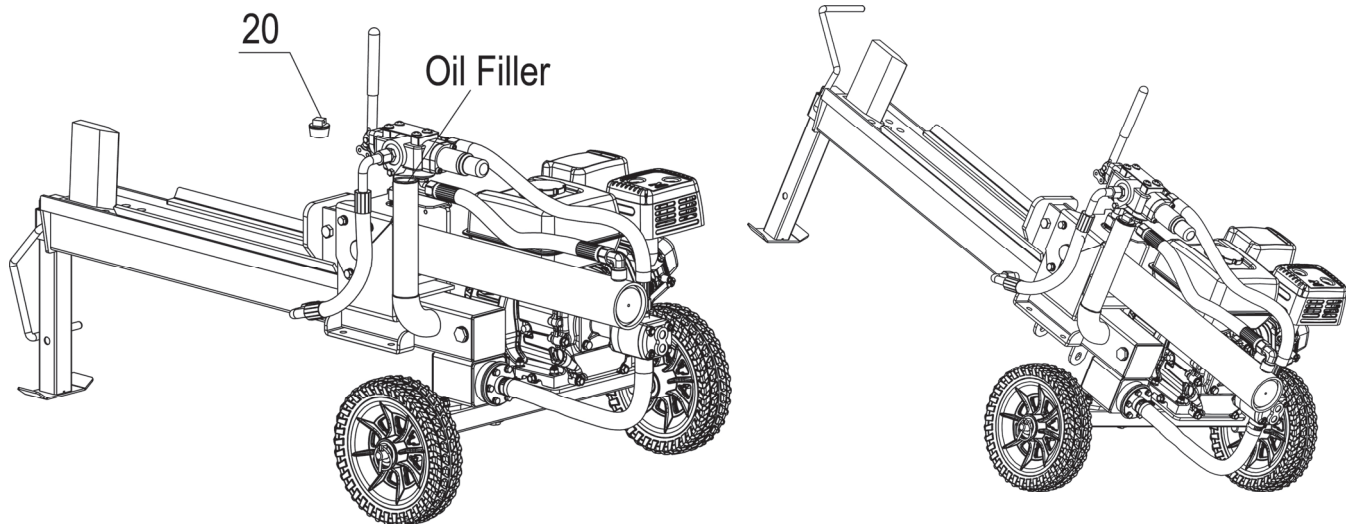
Fill tank approximately ¼" below the top of the tank to allow for fuel expansion.

DO NOT fill fuel tank indoors or when the engine is running or hot.

DO NOT light cigarettes or smoke when filling the fuel tank or operating the log splitter.

## STEP 9: Add the Hydraulic Oil

- 9.1 The log splitter needs to be on a flat, level surface before adding the hydraulic oil.
- 9.2 Remove the oil bolt (#20) from the oil filler.
- 9.3 Add 5L of hydraulic oil. AW32, AW46 and universal hydraulic oil are all acceptable types of hydraulic oil for the log splitter. **Automatic transmission fluid should be used when operating in temperatures below 32 degrees** (all units are tested and have excess oil in the ram).
- 9.4 Check the hydraulic oil level.
- 9.5 After adding the hydraulic oil, there will be some gas in the clear oil pipe that cannot be discharged. It is necessary to tilt the beam to exhaust the gas in the clear oil pipe. Tilt the beam several times, then the gas in the clear oil pipe should be exhausted.
- 9.6 Start the engine and use the control lever to extend and retract the wedge several times to remove air from the lines.
- 9.7 With the wedge retracted, check the hydraulic oil level again and add additional hydraulic oil if necessary.



**WARNING**

DO NOT remove the hydraulic oil fill cap when the engine is running or hot. Hot oil can escape and cause severe burns. Always allow the log splitter to cool completely before removing the hydraulic oil cap.

High fluid pressure and very hot temperatures are created in the hydraulic log splitters. Hydraulic fluid can escape through a pin-size hole opening, producing enough force to puncture skin and cause severe blood poisoning.

Inspect the hydraulic system regularly for possible leaks. **Never check for leaks with your hand while the system is pressurized. Seek medical attention immediately if injured by escaping hydraulic fluid.**

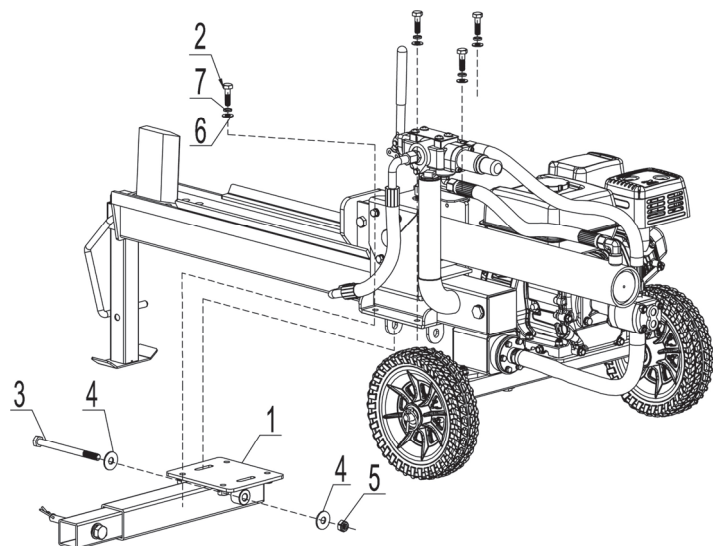
Make sure all fittings are tight and secure before applying pressure. Release all system pressure before servicing the log splitter.

Make sure the hydraulic hoses do not touch any hot surfaces or cutting areas.

Hoses need to be positioned where they are clear from the engine and the cutting wedge. To avoid serious bodily injury always inspect the hoses before operating the log splitter.

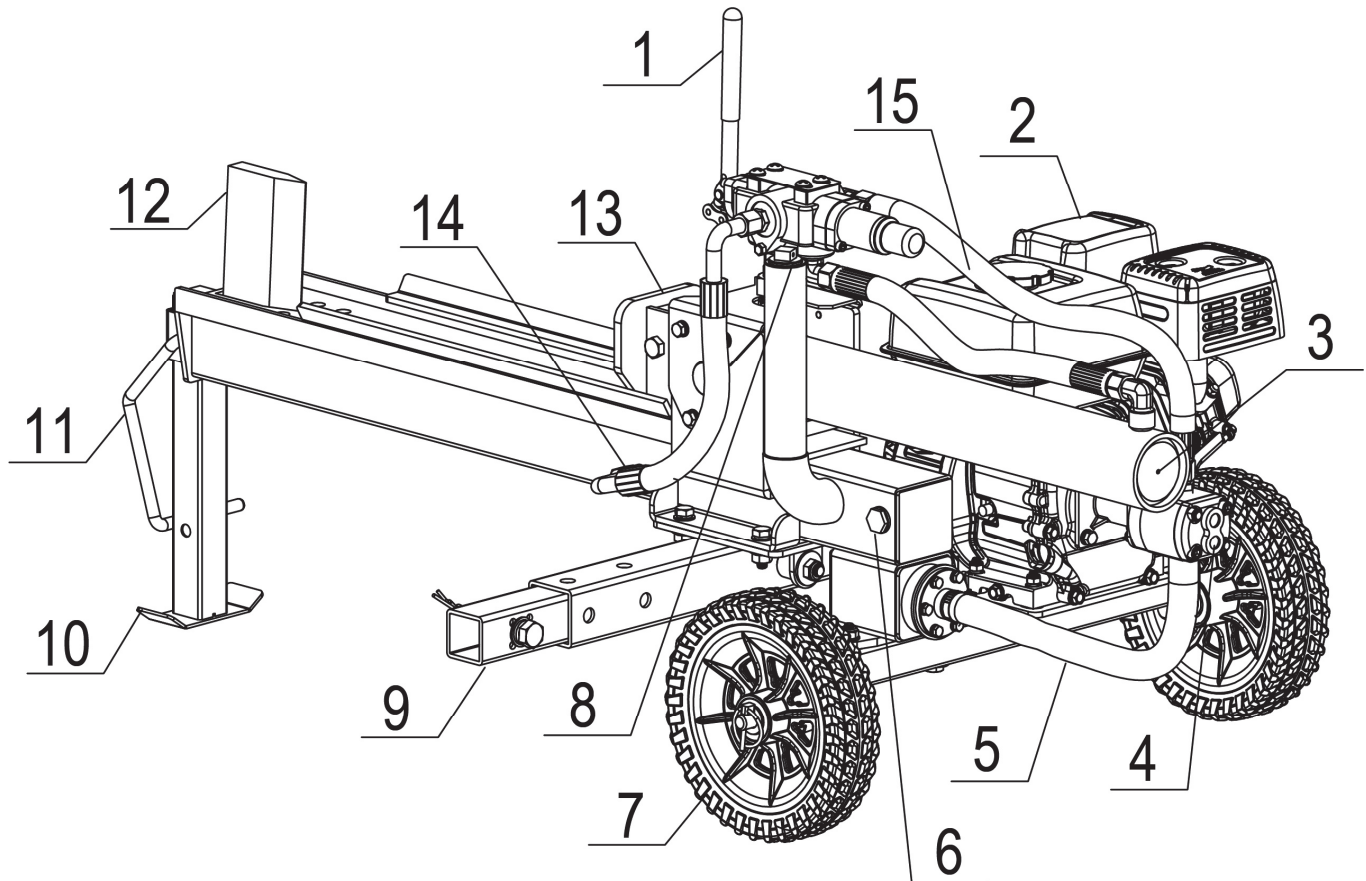
**STEP 10: Attach the Hitch Accessory**

- 10.1 Attach the hitch accessory (#1) to the log splitter using the hex bolt M10x25 (#2), lock washer Ø10 (#7) and flat washer Ø10 (#6). Repeat the process for each of the four holes on the plate to attach the hitch accessory. Secure the bolts, but do not firmly tighten them.
- 10.2 Put a thick washer Ø12 (#4) on the hex bolt M12x140 (#3), then put the bolt through the beam mounting ears and the hitch accessory. Next, put another thick washer Ø12 (#4) on the inserted hex bolt M12x140 (#3) and secure it with a hex lock nut M12 (#5).



# CONTROLS AND FEATURES IDENTIFICATION

The diagram below identifies the major components and features of the log splitter described in this manual.



1. Control Valve Handle
2. Engine
3. Cylinder Component
4. Gear Pump
5. Clear Oil Pipe
6. Oil Window
7. Wheel
8. Oil Filler
9. Hitch Accessory
10. Support Leg
11. Handle
12. Wedge
13. Push Plate Component
14. Oil Return Hydraulic Hose
15. Oil Inlet Hydraulic Hose

# OPERATING INSTRUCTIONS

## WARNING

*Read and understand all instructions and safety information in this manual and on safety decals before assembling or operating the log splitter. Failure to understand instructions and safety information could result in serious injury or death. Do not allow anyone to operate the log splitter who has not read this manual. A log splitter can be dangerous if assembled or used improperly. Do not operate this log splitter if you have any questions concerning safe operation. Call our customer support department at 1-888-723-6534 for answers to any questions.*

## WARNING

**ALWAYS** use the log splitter for its intended use.  
**ONLY** use the log splitter to split wood logs, length wise with the grain.  
**NEVER** modify, alter or change the log splitter in any way. (Modifications will void the warranty.)  
**NEVER** attach a rope, cable or any other device to the control lever on the log splitter.  
**ONLY** operate the log splitter in daylight/adequate lighting.  
**NEVER** leave the log splitter unattended while the engine is running.  
**NEVER** change the splitting position when the engine is running.  
**NEVER** touch the muffler during or immediately after using the log splitter. The muffler becomes very hot and can cause serious burns.  
**ALWAYS** make sure the beam is in the locked position.  
**DO NOT** let the beam drop as it may crush fingers or other body parts and/or cause damage to the log splitter.  
**NEVER** operate or allow anyone else to operate the log splitter while under the influence of alcohol, drugs, or medication.

## USING THE LOG SPLITTER

1. NEVER use the log splitter to carry passengers; never sit upon or stand on the log splitter.
2. Before using the log splitter, check the hydraulic oil level and visually inspect all the hoses and attachments for potential problems.
3. Inspect the engine and check that the engine oil level is correct.
4. Before transporting the log splitter, the hitch accessory must be firmly secured.

## TIRE WARNING

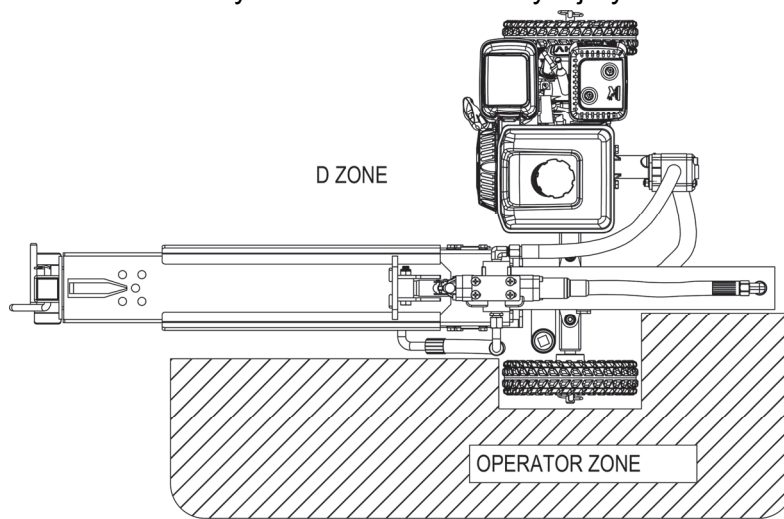
DO NOT use the log splitter if the tires are severely worn and need to be replaced.  
Tires are NOT compatible with towing.

5. Refer to the vehicle owner's manual for proper safety and transport instructions.

## TRANSPORT WARNING

Serious injury or death can occur if transportation safety rules are not followed.  
Always secure and lock the log splitter to the transporting vehicle before moving.  
Drive safely when transporting the log splitter. Be aware of the added length of the log splitter.  
Never exceed the maximum travel speed of 10 mph.  
Never ride upon or transport any cargo on the log splitter.  
Turn off the transporting vehicle before leaving the log splitter unattended.  
Block the log splitter wheels to prevent unintended movement during transport.

- The log splitter must have at least seven feet of clearance from combustible material. For safe operation the log splitter must be on a dry and level surface with stable footing. Do not use the log splitter on mud, ice, brush or snow. Always maintain a clear, dry work zone when using the log splitter as failure to do so at all times may result in serious bodily injury or death.



**NOTE: Serious accidents can happen when other people are allowed inside the work zone. Only the operator should be inside the work zone while operating the control lever.**

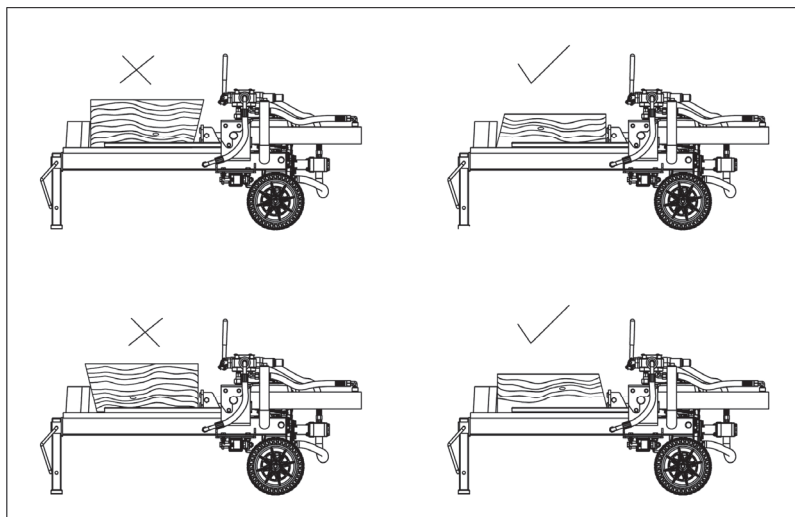
- Always wear proper safety gear, including eye protection, gloves and work boots when operating the log splitter
- Start the engine and make sure the log splitter is on level ground before operating.

**NOTE: The hydraulic oil needs to be above 10°F (-12°C) before starting the engine. Cold hydraulic oil can damage the hydraulic pump. If the outdoor air temperature is below 32°F (0°C), before splitting wood allow the log splitter to warm up by extending and returning the wedge several times.**

- To prevent the log splitter from moving during operation, put the support leg in the down position and block both tires.
- Set the log splitter in the horizontal position.

**NOTE: HORIZONTAL position is used for lighter logs that can easily be loaded onto the beam. Back injury can result from lifting logs onto the log splitter if proper lifting techniques are not used.**

- Load a log onto the beam and up against the endplate (Max Log Length-20")



12. Keep hands clear from the wedge and crush hazard areas.



### **CRUSH WARNING**

The wedge can cut through skin, break bones and cause serious bodily injury. Keep both hands away from the wedge and beam slide.

Serious accidents can happen when other people are allowed inside the work zone. Keep everyone besides the operator out of the work zone while operating the control lever.

DO NOT wear loose clothing that can get tangled in the moving parts of the log splitter.

Only use the log splitter in daylight/with adequate lighting so you can see and safely operate the log splitter.

13. Push the control lever FORWARD with one hand to split the log.

14. Pull the control lever BACKWARD with one hand to return the wedge to its' original position.



### **CAUTION**

If a log gets stuck or will not split completely, push the control lever in the reverse direction and allow the splitter to strip the log from the wedge.

If a log remains stuck after trying the method above, turn the log splitter completely off and carefully use a sledge hammer and crow bar to remove the log.

ALWAYS keep hands clear of the log and wedge when the log splitter is retracting.

15. Always keep the work zone clean and free of split wood and debris.



# Maintenance and Storage

## CAUTION

Improper maintenance and storage of the log splitter may void your warranty.

### MAINTENANCE

1. Before performing maintenance, the log splitter must be placed in maintenance mode. Turn off the engine and move the control lever forward and backwards to release any hydraulic pressure.
2. After performing any maintenance, make sure all guards, shields and safety features are put back in place before operating the log splitter.
3. Regularly (and as needed) grease the axle and wheel bearing area.
4. After greasing the wheel bearings, make sure the axle nuts and pins are in place and secure.
5. Periodically check all fasteners and hoses for tightness and leaks.
6. Annually (and as needed) clean and lightly lubricate all moving parts of the log splitter.
7. Use a glossy enamel spray paint to touch up any scratched/worn painted metal surfaces.
8. Never exceed the load capacity rating of 9 tons as doing so will damage the log splitter.

What	When	How
Hoses	Each Use	Inspect hoses for exposed wire mesh and leaks. Replace all worn or damaged hoses before starting the engine.
Hydraulic Fittings	Each Use	Inspect fittings for cracks and leaks. Replace all damaged fittings before starting the engine.
Nuts and Bolts	Each Use	Check for any loose nuts and bolts; tighten before operating the log splitter.
Beam	Each Use	Apply grease to the beam surface.
Moving Parts	Each Use	Clear and debris from all moving parts before using the log splitter.

Refer to the Engine Owner's Manual for engine maintenance.

### **IMPORTANT:**

If a part needs replacement, only use parts that meet the manufacturer's specifications. Using replacement parts that do not meet manufacturer's specifications can create safety hazards, poor machine operation and damage to the log splitter.

### STORAGE

1. Before storing the log splitter make sure the machine is clean and dry.
2. Lightly lubricate all the log splitter's surfaces and moving parts to prevent rust.
3. Always store the log splitter indoors or in a protected area, especially during severe weather and cold winter months.

# TROUBLESHOOTING



**WARNING:** Before attempting troubleshooting or to service the log splitter, read and follow all safety instructions to avoid serious injury to the operator or bystanders from moving parts that can crush, cut, burn or release high pressure hydraulic fluid.

<b>Problem</b>	<b>Cause</b>	<b>Remedy</b>
Slow cylinder shaft speed while extending and retracting	<ol style="list-style-type: none"> <li>1. Gear sections damaged.</li> <li>2. Excessive pump inlet vacuum.</li> <li>3. Slow engine speed.</li> <li>4. Damaged relief valve.</li> <li>5. Incorrect oil level.</li> <li>6. Contaminated oil.</li> <li>7. Directional valve leaking internally.</li> <li>8. Internally damaged cylinder.</li> </ol>	<ol style="list-style-type: none"> <li>1. See an authorized service dealer.</li> <li>2. Check that pump inlet hoses are clear and unblocked. Use only short, large diameter inlet hoses.</li> <li>3. See an authorized service dealer.</li> <li>4. See an authorized service dealer.</li> <li>5. Check the oil level and fill to correct level.</li> <li>6. Drain oil, clean the reservoir, and refill with clean oil.</li> <li>7. See an authorized service dealer.</li> <li>8. See an authorized service dealer.</li> </ol>
Leaking Cylinder	<ol style="list-style-type: none"> <li>1. Broken seals.</li> <li>2. Scored cylinder.</li> </ol>	<ol style="list-style-type: none"> <li>1. See an authorized service dealer.</li> <li>2. See an authorized service dealer.</li> </ol>
Engine runs, but wood will not split or wood splits too slowly	<ol style="list-style-type: none"> <li>1. Small gear section damaged.</li> <li>2. Pump check valve leaking.</li> <li>3. Excessive pump inlet vacuum.</li> <li>4. Incorrect oil level.</li> <li>5. Contaminated oil.</li> <li>6. Directional valve leaking internally.</li> <li>7. Overloaded cylinder.</li> <li>8. Internally damaged cylinder.</li> </ol>	<ol style="list-style-type: none"> <li>1. See an authorized service dealer.</li> <li>2. See an authorized service dealer.</li> <li>3. Check that pump inlet hoses are clear and unblocked.</li> <li>4. Check the oil level and fill to correct level.</li> <li>5. Drain oil, clean the reservoir, and refill with clean oil.</li> <li>6. See an authorized service dealer.</li> <li>7. Do not attempt to split wood against the grain.</li> <li>8. See an authorized service dealer.</li> </ol>

## TROUBLESHOOTING

<b>Problem</b>	<b>Cause</b>	<b>Remedy</b>
Engine stalls during splitting	<ol style="list-style-type: none"> <li>1. Low horsepower/weak engine.</li> <li>2. Overloaded cylinder.</li> </ol>	<ol style="list-style-type: none"> <li>1. See an authorized service dealer.</li> <li>2. Do not attempt to split wood against the grain; see authorized service dealer.</li> </ol>
Engine will not turn or stalls under low load conditions	<ol style="list-style-type: none"> <li>1. Engine/pump misalignment.</li> <li>2. Frozen or seized pump.</li> <li>3. Low horsepower/weak engine.</li> <li>4. Hydraulic lines blocked.</li> <li>5. Blocked directional valve.</li> </ol>	<ol style="list-style-type: none"> <li>1. Correct alignment as necessary.</li> <li>2. See an authorized service dealer.</li> <li>3. See an authorized service dealer.</li> <li>4. Flush and clean the hydraulic system.</li> <li>5. Flush and clean the hydraulic system.</li> </ol>
Leaking pump shaft seal	<ol style="list-style-type: none"> <li>1. Broken drive shaft.</li> <li>2. Engine/pump misalignment.</li> <li>3. Gear sections damaged.</li> <li>4. Poorly positioned shaft seal.</li> <li>5. Plugged oil breather.</li> </ol>	<ol style="list-style-type: none"> <li>1. See an authorized service dealer.</li> <li>2. Correct alignment of the engine and/or pump.</li> <li>3. See an authorized service dealer.</li> <li>4. See an authorized service dealer.</li> <li>5. Check that reservoir is properly vented.</li> </ol>
Engine fails to start	<ol style="list-style-type: none"> <li>1. Spark plug wire is disconnected.</li> <li>2. Fuel tank is empty or fuel is stale.</li> <li>3. Choke, if equipped, not in CHOKE position.</li> <li>4. Faulty spark plug.</li> <li>5. Blocked fuel line.</li> <li>6. If engine is equipped with a primer, engine is not primed properly.</li> <li>7. Throttle control lever is not in the correct starting position.</li> </ol>	<ol style="list-style-type: none"> <li>1. Connect wire to the spark plug.</li> <li>2. Fill the tank with clean, fresh gasoline.</li> <li>3. Move the choke to CHOKE position.</li> <li>4. Clean, adjust the gap, or replace the spark plug.</li> <li>5. Clean the fuel line.</li> <li>6. Properly prime the engine.</li> <li>7. Move the throttle lever to the FAST position.</li> </ol>

## TROUBLESHOOTING

<b>Problem</b>	<b>Cause</b>	<b>Remedy</b>
Engine runs erratically	<ol style="list-style-type: none"> <li>1. Unit running with CHOKE applied.</li> <li>2. Spark plug wire is loose.</li> <li>3. Blocked fuel line or stale fuel.</li> <li>4. Water or dirt in the fuel system.</li> <li>5. Dirty air cleaner.</li> <li>6. Carburetor not adjusted properly.</li> </ol>	<ol style="list-style-type: none"> <li>1. Move the choke lever to OFF position.</li> <li>2. Connect and tighten the spark plug wire.</li> <li>3. Clean the fuel line; fill tank with clean, fresh (less than 30 days old) gasoline.</li> <li>4. Drain the fuel tank. Refill the tank with clean, fresh fuel.</li> <li>5. Clean or replace the air cleaner.</li> <li>6. See an authorized service dealer.</li> </ol>
Engine Overheats	<ol style="list-style-type: none"> <li>1. Engine oil level low.</li> <li>2. Dirty air cleaner.</li> <li>3. Carburetor not adjusted properly.</li> </ol>	<ol style="list-style-type: none"> <li>1. Fill crankcase with proper amount of oil.</li> <li>2. Clean or replace the air cleaner.</li> <li>3. See an authorized service dealer.</li> </ol>
Cylinder rod stuck/will not move	<ol style="list-style-type: none"> <li>1. Broken drive shaft.</li> <li>2. Screws in coupling not adjusted properly.</li> <li>3. Loose shaft coupling.</li> <li>4. Gear sections are damaged.</li> <li>5. Damaged relief valve.</li> <li>6. Hydraulic lines are blocked.</li> <li>7. Incorrect oil level.</li> <li>8. Damaged directional valve.</li> <li>9. Blocked directional valve.</li> </ol>	<ol style="list-style-type: none"> <li>1. See an authorized service dealer.</li> <li>2. See the operator's manual for correct adjustment instructions.</li> <li>3. Correct the engine and pump alignment as necessary.</li> <li>4. See an authorized service dealer.</li> <li>5. See an authorized service dealer.</li> <li>6. Flush and clean the hydraulic system.</li> <li>7. Check oil level and fill to correct level.</li> <li>8. See an authorized service dealer.</li> <li>9. Flush and clean the hydraulic system.</li> </ol>

***For further technical support please contact:***

YTL International Inc.  
 17517 Fabrica Way Suite H  
 Cerritos, CA 90703  
 Phone: (888) 723-6534  
 Phone: (562) 404-8016  
 Fax: (562) 404-8013  
 Email: [parts@ytlinternational.com](mailto:parts@ytlinternational.com)  
 Website: [www.ytlinternational.com](http://www.ytlinternational.com)

**Log Splitter Parts and Service:**

Toll Free (888) 723-6534

## SPECIFICATIONS

Maximum Splitting Force..... 9 Tons

Cycle Time ..... 14 Seconds

(Note: Cycle time may vary given mechanical and environmental factors; the published cycle time is for ideal conditions)

Cylinder Bore Size.....2.75" x 18.3"

Hydraulic Oil ..... AW32, AW46 and Universal Hydraulic Oil

Hydraulic Capacity ..... 1.32 Gallons (5L)

Maximum Log Length..... 20"

Tire Size ..... 10" Flat Free Tire

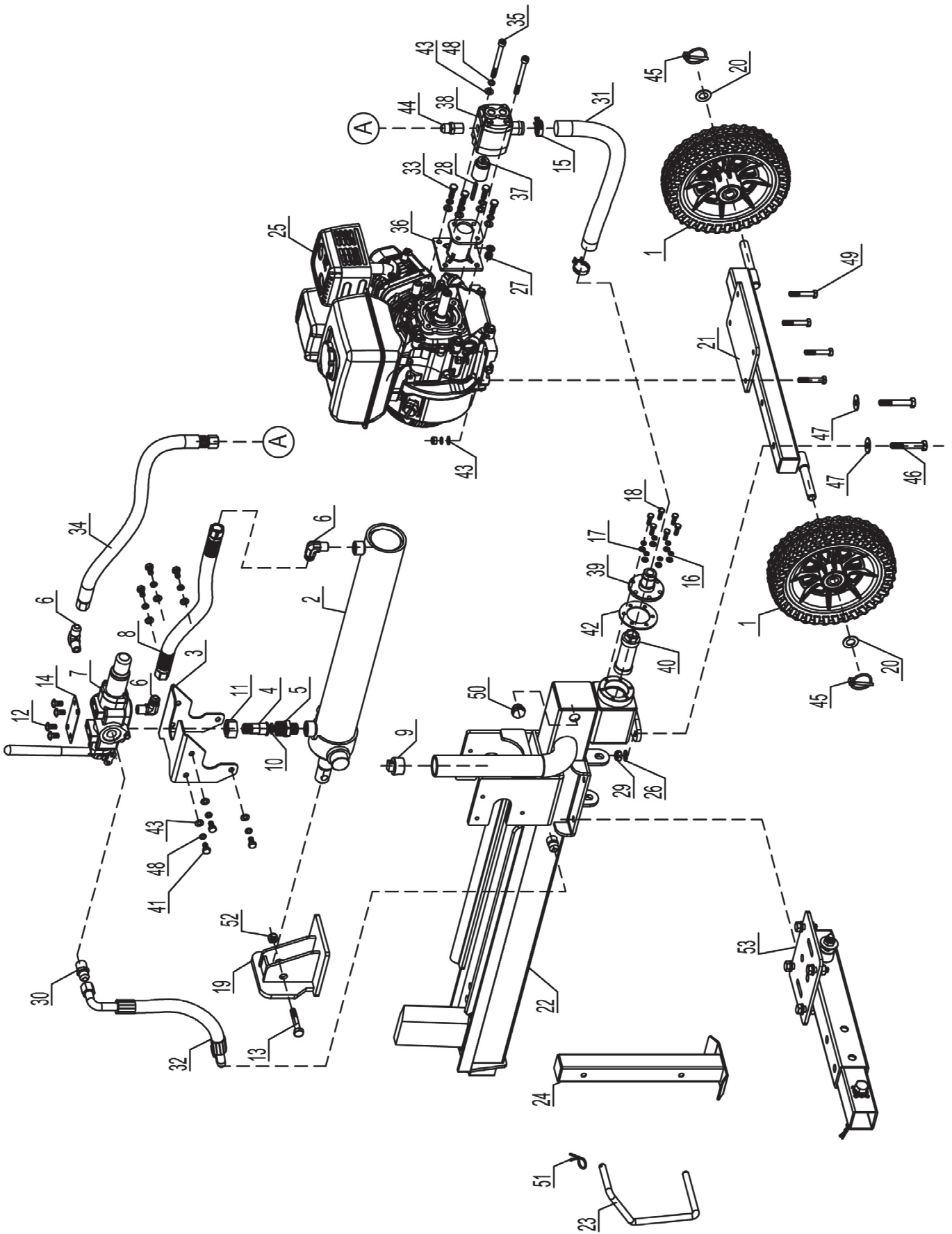
Maximum Transport Speed ..... 10 MPH

Overall Dimensions (L x W x H) ..... 55"x37"x30.7" (140x94x78cm)

Engine .....209CC

***NOTE: For Engine Details Refer to the Engine Owner's Manual.***

# DRAWING AND PARTS LIST



## DRAWING AND PARTS LIST

Ref#	Drawing No.	Description	Qty
1	MS12A-00001	10-2.75" Flat Free Tire	2
2	LS0900-04000	Cylinder	1
3	LSE12-00003	Cylinder Cover	1
4	LS12-00006-DX	Valve B Joint	1
5	LSA22-00009-DX	Connector	1
6	LS12J-00011-DX	Connector	3
7	LS12-09000	Single Handle Control Valve	1
8	LS0900-00003	Hydraulic Hose (valve-cylinder)	1
9	LSP25-13001-DX	Oil Bolt	1
10	9901-16X2.5	O Ring Ø16x2.5	1
11	LSP25-17002-DX	Nut	1
12	9110-08010-DX	Screw M8x10	4
13	9101-12065-DX8.8	Hex Bolt M12x65	1
14	LSA22-00025	Plate	1
15	LSP25-00011-BXG	Clamp	2
16	9306-06000-DX	Lock Washer Ø6	6
17	9301-06000-DX	Flat Washer Ø6	6
18	9101-06020-DX8.8	Hex Bolt M6x20	6
19	LS0900-05000	Push Plate	1
20	9301-16000-DX	Flat Washer Ø16	2
21	LS0900-02000	Wheel Stand Assembly	1
22	LS0900-01000	Beam Assembly	1
23	LS0900-00004-DX	Handle	1
24	LS0900-03000	Support Leg	1
25	/	Engine	1
26	9301-10000-DX	Flat Washer Ø10	2
27	9206-08000-DX	Nylon Lock Nut M8	5
28	/	Flat Key	1
29	9206-10000-DX	Hex Lock Nut M10	2
30	LS12J-00007-DX	Straight Connector	1
31	/	Clear Oil Pipe	1
32	LS0900-00002	Oil Return Hydraulic Hose	1
33	9101-08025-DX8.8	Hex Bolt M8x25	4
34	LS0900-00001	Oil Inlet Hydraulic Hose	1
35	9105-08090-FH10.9	Inner Hex Socket Head Bolt M8x90	2
36	LS12-07003	Gear Pump Stand	1
37	LS12-07002	Spline Coupling	1

<b>Ref#</b>	<b>Drawing No.</b>	<b>Description</b>	<b>Qty</b>
38	LS0900-07001	Gear Pump	1
39	LS12-04000-DX	Oil Filter Mounting Plate	1
40	LS12-00011	Oil Filter	1
41	9101-08016-DX8.8	Hex Bolt M8x16	6
42	LS12-00010	Rubber Washer	1
43	9301-08000-DX	Flat Washer Ø8	16
44	LS12J-00010-DX	Straight Connector	1
45	TS600-00009-DX	O Lock Ring	2
46	9101-10065—DX8.8	Hex Bolt M10x65	2
47	9302-10000-DX	Large Flat Washer Ø10	2
48	9306-08000-DX	Lock Washer Ø8	15
49	9010-08040-DX8.8	Hex Bolt M8x40	4
50	9702-20000	Screw-in Round Oil Mark	1
51	N280-00041-DX	R Pin	1
52	9206-12000-DX	Hex Lock Nut M12	1
53	LS0900-06000	Hitch Accessory	1



# LIMITED WARRANTY

## **Duration of the Warranty**

For 3 years from the date of purchase, YTL International will replace or repair defects in material and workmanship for the original purchaser of the log splitter. For 2 years, the engine is covered under the engine manufacturer's warranty. For 1 year from the date of purchase, YTL International will replace the hydraulic system component parts. The warranty will not apply to any unit which was not assembled correctly, misused, overloaded or which has been used or operated contrary to the manufacturer's instructions, or which has been repaired or altered by anyone other than an authorized service representative.

## **Warranty Exclusions**

The warranty does not cover cosmetic defects, such as paint and decals. The warranty excludes components that wear out with ordinary use over time, such as tires. The warranty does not cover failures or problems due to acts of God and events or forces beyond the control of the manufacturer.

## **Normal Wear Exclusions**

The log splitter needs periodic service and maintenance to perform well. The warranty does not cover repair when normal use has exhausted the life of a part or the equipment as a whole.

## **Installation, Use and Maintenance Exclusions**

The warranty does not apply to parts and/or labor if the log splitter has been misused, neglected, involved in an accident, abused, loaded beyond its' limits, been modified or assembled incorrectly. Normal maintenance is not covered under the warranty.

## **Limits of Implied Warranty and Consequential Damage Exclusions**

YTL International disclaims any obligation to cover any loss of time, use of this product, freight, or any incidental or consequential claim by anyone incurred from using the log splitter. THIS WARRANTY IS IN LIEU OF ALL OTHER WARRANTIES, EXPRESS OR IMPLIED, INCLUDING WARRANTIES OF MERCHANTABILITY OR FITNESS FOR A PARTICULAR PURPOSE.

An exchanged log splitter unit will be subject to the original warranty date. The length of the warranty governing the exchanged unit will be calculated from the purchase date of the original unit. The warranty provides certain legal rights which may vary from state to state. Your state may also have other rights you may be entitled to that are not listed within this warranty.

## **Contact Information**

YTL International Inc.  
17517 Fabrica Way Suite H  
Cerritos, CA 90703  
Phone: (888) 723-6534  
Phone: (562) 404-8016  
Fax: (562) 404-8013  
Email: [parts@ytlinternational.com](mailto:parts@ytlinternational.com)  
Website: [www.ytlinternational.com](http://www.ytlinternational.com)

## **Contact for Warranty and Service**

### **Log Splitter Parts and Service:**

Toll Free (888) 723-6534