

## BSC33 & BSC50V Effluent Pumps

This submersible pump is for use in basins or lift stations and is suitable for pumping clear water or effluent gray water with up to 3/8-inch (9.53 mm) spherical semi-solids. Do not use the pump in applications where sewage or any other debris (gravel, sand, floating debris, etc.), abrasives, or corrosives are present.

The pump motor is equipped with an automatic resetting thermal protector and may restart unexpectedly. Protector tripping indicates motor overloading or overheating, which can be caused by application issues such as an obstructed pump impeller, switch stuck in the ON position, pump running dry, pump air-locked, pump short cycling, excessively high or low voltage supply, or possibly a pump, motor, bearing, or seal that have reached the end of their useful life.



This product is covered by a Limited Warranty for a period of 2 years from the date of original purchase by the consumer. For complete warranty information, refer to [www.LittleGiant.com](http://www.LittleGiant.com).

### Specifications

Model	HP	Volts	Hz	Full Load Amps	Watts	Cord ft (m)
BSC33V	1/3	115	60	4.3	400	10 (3.05)
BSC33T						30 (9.14)
BSC33T						10 (3.05)
BSC50V	1/2			5.3	507	10 (3.05)

### Flow Rates

Model	Gallons (Liters) per Hour at Height				Shut Off ft (m)	PSI (Bar)
	5 ft (1.5 m)	10 ft (3.0 m)	15 ft (4.6 m)	20 ft (6.1 m)		
BSC33V	50 (189)	41 (155)	31 (117)	16 (61)	25 (7.62)	10.8 (0.74)
BSC33T						
BSC50V	64 (242)	50 (189)	37 (140)	24 (91)	28 (8.5)	12.1 (0.83)

### On/Off Levels

Model	On inches (cm)	Off inches (cm)
BSC33 Tethered Float Switch	12.0 - 14.0 (30.48 - 35.56)	4.0 - 6.0 (10.16 - 15.24)
BSC33 Vertical Float Switch	6.0 - 8.0 (15.24 - 20.32)	1.8-3.8
BSC50V		(3.30 - 5.84)

## **SAFETY INSTRUCTIONS**

This equipment should be installed and serviced by technically qualified personnel who are familiar with the correct selection and use of appropriate tools, equipment, and procedures. Failure to comply with national and local electrical and plumbing codes and within Little Giant recommendations may result in electrical shock or fire hazard, unsatisfactory performance, or equipment failure.

Know the product's application, limitations, and potential hazards. Read and follow instructions carefully to avoid injury and property damage. Do not disassemble or repair unit unless described in this manual.

Refer to product data plate(s) for additional precautions, operating instructions and specifications.

Failure to follow installation or operation procedures and all applicable codes may result in the following hazards:

### **⚠ DANGER**



#### **Risk of death, personal injury, or property damage due to explosion, fire, or electric shock.**

- Do not use to pump flammable, combustible, or explosive fluids such as gasoline, fuel oil, kerosene, etc.
- Do not use in explosive atmospheres or hazardous locations as classified by the NEC, ANSI/NFPA70.
- Do not handle a pump or pump motor with wet hands or when standing on a wet or damp surface, or in water.
- When a pump is in its application, do not touch the motor, pipes, or water until the unit is unplugged or electrically disconnected.
- If the power disconnect is out of sight, lock it in the open position and tag it to prevent unexpected application of power.
- If the disconnect panel is not accessible, contact the electric company to stop service.

### **⚠ WARNING**



#### **High voltages capable of causing severe injury or death by electrical shock are present in this unit.**

- To reduce risk of electrical shock, disconnect power before working on or around the system. More than one disconnect switch may be required to de-energize the equipment before servicing.
- Check local electrical and building codes before installation. The installation must be in accordance with their regulations as well as the most recent National Electrical Code (NEC) and the Occupational Safety and Health Act (OSHA).
- This product is supplied with a grounding conductor and grounding-type attachment plug. To reduce risk of electric shock, be certain that it is connected only to a properly grounded grounding-type receptacle. Do not remove the third prong from the plug. The third prong is to ground the pump to help prevent possible electric shock hazard. Do not use an extension cord.
- Be sure the electrical connection cannot be reached by rising water.
- Check electrical outlets with a circuit analyzer to ensure power, neutral, and ground wires are properly connected. If not, a qualified, licensed electrician should correct the problem.
- Wire pump system for correct voltages.
- Do not use the power cord for lifting the pump.

**▲ CAUTION**



**Risk of bodily injury, electric shock, or equipment damage.**

- This equipment must not be used by children or persons with reduced physical, sensory or mental abilities, or lacking in experience and expertise, unless supervised or instructed. Children may not use the equipment, nor may they play with the unit or in the immediate vicinity.
- Equipment can start automatically. Always unplug the pump power cord and disconnect the electrical power before servicing the pump or switch.
- This pump has been evaluated for use with water only. Pump should only be used with liquids compatible with pump component materials. If the pump is used with liquids incompatible with the pump components, the liquid can cause failure to the electrical insulation system resulting in electrical shock.
- An inoperative or malfunctioning pump could lead to flooding, resulting in personal injury or property damage.
- In applications where property damage and/or personal injury might result from an inoperative or leaking pump due to power outages, discharge line blockage, or any other reason, an automatic back-up system and/or an alarm should be installed.
- Do not run the pump dry. If run dry, the surface temperature of the pump will rise to a high temperature that could cause skin burns if touched, and will cause serious damage to the pump.
- Do not oil the motor. This unit is permanently lubricated. Oiling is not required. The pump's motor housing is sealed. Do not open the sealed portion of the unit or remove housing screws. Opening the motor housing could cause serious electric shock and/or permanent damage to the pump.
- Operation of this equipment requires detailed installation and operation instructions provided in this manual for use with this product. Read entire manual before starting installation and operation. End User should receive and retain manual for future use.
- Keep safety labels clean and in good condition.
- Keep work area clean, well-lit, and uncluttered.
- Wear safety glasses while installing or performing maintenance on the pump.
- Do not wear loose clothing, jewelry, or anything that may be caught in the rotating parts. Tie up long hair and remove jewelry.

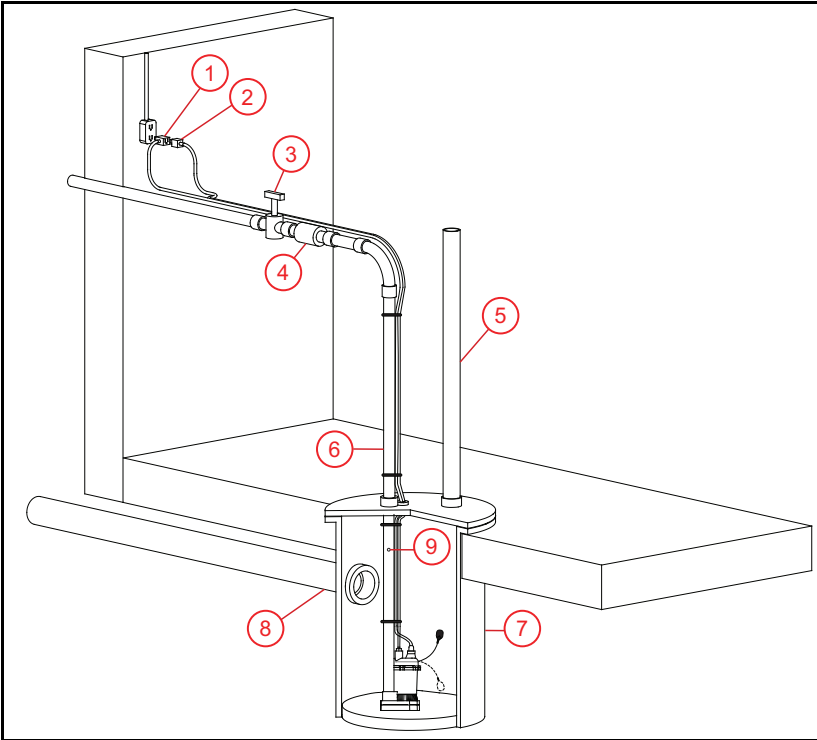
**NOTICE**

**Risk of damage to pump or other equipment.**

- Do not use this pump for pumping sea water, beverages, acids, chemical solutions, or any other liquid that promotes corrosion as this can result in damage to the pump.
- Do not run pump dry. For optimal cooling and to prolong the motor life, the liquid level being pumped should normally be above the top of the pump housing.
- This pump is not suitable for pond applications.
- Warranty is void if the motor housing cover or power cord have been removed.

## INSTALLATION

### Typical Installation



- |                |               |                   |
|----------------|---------------|-------------------|
| 1 Switch Power | 4 Check Valve | 7 Gas Tight Basin |
| 2 Pump Power   | 5 Vent        | 8 Intake          |
| 3 Gate Valve   | 6 Discharge   | 9 Air Bleed Hole  |

### Physical Installation

1. Install the pump in a suitable gas-tight basin at least 18 inches (45.7 cm) in diameter and 24 inches (61.0 cm) deep, vented in accordance with local, state, and federal plumbing codes.
2. Place the pump-basin assembly on a hard, level surface.
  - Never place pump directly on clay, earth, or gravel surfaces.
  - Secure the pump so the starting torque does not cause the pump to contact anyone or anything.
3. Install discharge piping.
  - Do not use piping smaller than the pump discharge.
  - Use ABS, PVC, polyethylene, or stainless steel pipe.
4. Install a full-flow check valve in the discharge line horizontally to prevent back flow of liquid into the basin.
  - A ball check valve is recommended.

**NOTE:** If installed vertically, solids may settle in the valve and prevent it from opening at start-up.

5. Drill a 1/8- or 3/16-inch (3.18 or 4.76 mm) diameter relief hole in the discharge pipe below the floor line and between the pump discharge and check valve.

**NOTE:** If not provided, the pump could “air lock” and will not pump water even though it will run.

6. Install a shut-off valve following the check valve to allow for maintenance.
7. Secure the pump and switch cords to the discharge line.
8. Place cover over basin.

## Electrical Connections

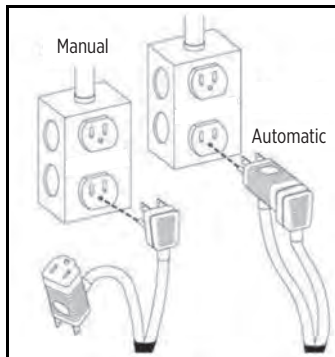
### **▲ WARNING**



**High voltages capable of causing severe injury or death by electrical shock are present in this unit.**

- To minimize risk of electrical shock, disconnect power before working on or around the system.
- The flexible jacketed cord assembly mounted to the pump must not be modified in any way, with the exception of shortening the cord to fit into a control panel. Any splice between the pump and the control panel must be made within a junction box mounted outside of the basin and comply with the National Electrical Code (NEC). Employ a licensed electrician.

1. Connect the power cord to a constant source of power matching the pump nameplate voltage.
  - Connect the pump to its own circuit, with no other electric receptacles or equipment in the circuit.
  - Ensure that the fuses or circuit breaker are of ample capacity in the electrical circuit.
  - Plug pumps into a properly grounded receptacle.
2. Control power to the pump by either switching the power ON/OFF or by plugging and unplugging the cord.
  - For automatic operation, plug the pump cord into the float switch cord. Then plug the coupled cords into a grounded receptacle. A GFCI outlet is required for outdoor applications.



## OPERATION TESTING

### **NOTICE**

**Risk of damage to pump or other equipment.**

- Always check the power cord and electric receptacle for damage or corrosion before each use. The power cord on these units cannot be replaced. If damaged, replace the pump.
- Do not let the unit run dry (without liquid). It is designed to be cooled by pumping fluid. The seal may be damaged and the motor may fail if the pump is allowed to run dry.

To test pump operation independently of the float switch cord, install the pump and plug the pump cord directly into the outlet.

1. Plug the pump and piggyback cord assembly into a grounded receptacle.
  - Ensure the gate valve in the discharge line is open.
2. Run water into the basin.

## MAINTENANCE

### Storage

3. Confirm that the pump and switches are functioning as intended.
  - Ensure that the ON/OFF levels are within specification and that no potential obstructions exist that could inhibit switch operation. Refer to [“Specifications” on page 1](#).
  - Confirm that there are no leaks in the system plumbing.
  - Confirm that spray from the air bleed hole is captured within the basin.
4. Allow the pump to operate through several ON/OFF cycles.

## MAINTENANCE

### ⚠ WARNING



#### **Risk of severe injury or death by electrical shock, high temperatures, or pressurized fluids.**

- Always unplug the pump power cord in addition to removing the fuse or shutting off the circuit breaker before working on the pump or switch.
- Let pump cool for a minimum of 2 hours before attempting to service. Submersible pumps can become pressurized and hot under normal operating conditions.

### NOTICE

#### **Risk of damage to pump or other equipment.**

- This unit is permanently lubricated. Oiling is not required. Do not open the sealed portion of the unit or remove housing screws.
- Do not remove the motor housing cover, impeller, or seals. Warranty is void if the motor housing cover, impeller, or seals have been removed. Repairs on the motor or impeller require special tools.

## Storage

1. Disconnect pump from the power source.
2. Remove the pump from the discharge plumbing.
3. Drain all liquid from the pump and allow it to dry thoroughly.
4. Store pump in a warm, dry place.

## Periodic Service

Inspect and test the pump system condition and operation every three months—more frequently in heavy use applications.

1. Check the power cords and electrical outlet for damage or corrosion.

**IMPORTANT:** The unit must be replaced if the power cord is damaged.

2. Remove all debris (gravel, sand, floating debris, etc.) from the basin.
3. Check the pump system components (basin, pump, switch, etc.) for any build-up (sludge, sediment, minerals, etc.) that would inhibit functionality of the components.
  - If significant, remove build-up or replace affected components.
4. Confirm that all plumbing fixtures are secure, not damaged, and functioning as intended.
5. Test operation of the pump system. Refer to [“Operation Testing” on page 5](#).

## Cleaning Impeller and Volute

1. Remove the screws that hold the base to the volute and separate the base and volute.
  - IMPORTANT:** Do not remove the motor housing cover.
2. Clean the impeller and volute passage.
  - IMPORTANT:** Do not use strong solvents on the impeller.
    - Do not remove the impeller.
3. Ensure the impeller freely rotates after cleaning.
4. Reattach the base to the volute and secure it with the screws.

## Troubleshooting

Problem	Probable Causes	Corrective Action
Pump does not turn on	Pump not connected to electrical power	Connect pump to a dedicated circuit equipped with GFCI.
	Circuit breaker off or fuse removed	Turn on circuit breaker or replace fuse.
	Accumulation of trash on float	Clean float.
	Float obstruction	Check float path and provide clearance.
	Defective switch	Replace switch.
	Defective motor	Replace pump.
Pump will not shut off	Float or float rod obstruction	Check float and float rod path and provide clearance.
	Pump is air locked	Remove pump and clean air bleed hole.
	Liquid inflow matches pump capacity	Larger pump required.
	Defective switch	Replace switch.
Pump runs but does not discharge liquid	Check valve installed backwards	Check flow-indicating arrow on check valve body to ensure proper installation.
	Check valve stuck or plugged	Remove check valve and inspect for proper operation.
	Lift too high for pump	Check rated pump performance.
	Inlet to impeller plugged	Pull pump and clean.
	Pump is air locked	Remove pump and clean air bleed hole.
Pump does not deliver rated capacity	Lift too high for pump	Check rated pump performance.
	Low voltage, speed too slow	Check that supply voltage matches the nameplate rating.
	Impeller or discharge pipe is clogged	Pull pump and clean. Check pipe for scale or corrosion.
	Impeller wear due to abrasives	Replace pump.
Pump cycles continuously	No check valve in long discharge pipe allowing liquid to drain back into basin	Install a check valve for correct operation.
	Check valve leaking	Inspect check valve for correct operation.
	Basin too small for inflow	Install larger basin.
Water sprays out of a hole in the discharge pipe	There should be a bleed hole in the discharge pipe that allows trapped air to escape the pump, preventing air lock. Water spraying out of this hole is completely normal	No corrective action is required.



For technical assistance, parts, or repair, please contact:

**800.701.7894** | **littlegiant.com**

10000011800 Rev. 001 07/22

**LittleGIANT®**  
Franklin Electric Co., Inc. | Oklahoma City, OK 73157-2010  
Copyright © 2022, Franklin Electric, Co., Inc. All rights reserved.



## Bombas de efluentes BSC33 y BSC50V

Esta bomba sumergible es para uso en colectores o estaciones elevadoras y es adecuada para bombear agua clara o aguas grises efluentes con semisólidos esféricos de hasta 9.53 mm (¾ pulgada). No use la bomba en aplicaciones donde haya aguas residuales u otro tipo de desechos (gravilla, arena, desechos flotantes, etc.), materiales abrasivos o corrosivos.

El motor de la bomba está equipado con un protector térmico de reinicio automático y puede reiniciarse de manera inesperada. La activación del protector indica que el motor está sobrecargado o sobrecalentado, lo cual puede deberse a problemas de la aplicación, como un impulsor obstruido de la bomba, un interruptor atascado en la posición de encendido, una marcha en seco de la bomba, una bomba obturada por aire, un ciclo corto de la bomba, una alimentación de voltaje excesivamente alta o baja, o bien una bomba, motor, cojinetes o sello que han llegado al final de su vida útil.



Este producto está cubierto por una garantía limitada por un período de 2 años desde la fecha original de compra por parte del consumidor. Para obtener información completa sobre la garantía, consulte [www.LittleGiant.com](http://www.LittleGiant.com).

### Especificaciones

Modelo	HP	Voltios	Hz	Amperes a plena carga	Vatios	Longitud del cable m (pie)
BSC33V	1/3	115	60	4.3	400	3.05 (10)
BSC33T						9.14 (30)
BSC33T						3.05 (10)
BSC50V	1/2			5.3	507	3.05 (10)

### Tasas de flujo

Modelo	Litros (galones) por hora en altura				Apagado m (pies)	Bar (PSI)
	1.5 m (5 pies)	3.0 m (10 pies)	4.6 m (15 pies)	6.1 m (20 pies)		
BSC33V	189 (50)	155 (41)	117 (31)	61 (16)	7.62 (25)	0.74 (10.8)
BSC33T						
BSC50V	242 (64)	189 (50)	140 (37)	91 (24)	8.5 (28)	0.83 (12.1)

### Niveles de encendido/apagado

Modelo	Encendido cm (pulg.)	Apagado cm (pulg.)
BSC33 Interruptor de flotador anclado	30.48 - 35.56 (12.0 - 14.0)	10.16 - 15.24 (4.0 - 6.0)
BSC33 Interruptor de flotador vertical	15.24 - 20.32 (6.0 - 8.0)	3.30 - 5.84 (1.8-3.8)
BSC50V		

## **INSTRUCCIONES SOBRE SEGURIDAD**

La instalación y el mantenimiento de este equipo deben estar a cargo de personal con capacitación técnica que esté familiarizado con la correcta elección y uso de las herramientas, equipos y procedimientos adecuados. El hecho de no cumplir con los códigos eléctricos y de plomería nacionales y locales y con las recomendaciones de Little Giant puede provocar peligros de descarga eléctrica o incendio, desempeños insatisfactorios o fallas del equipo.

Lea y siga las instrucciones cuidadosamente para evitar lesiones y daños a los bienes. No desarme ni repare la unidad salvo que esté descrito en este manual.

Consulte las placas de características del producto para obtener instrucciones de operación, precauciones y especificaciones adicionales.

El hecho de no seguir los procedimientos de instalación o funcionamiento y todos los códigos aplicables puede ocasionar los siguientes peligros:

### **⚠ PELIGRO**



#### **Riesgo de muerte, lesiones personales o daños materiales por explosión, incendio o descarga eléctrica.**

- No usar para bombear líquidos inflamables, combustibles o explosivos como gasolina, combustóleo, queroseno, etc.
- No usar en atmósferas explosivas ni lugares peligrosos según la clasificación de la NEC, ANSI/NFPA70.
- No manipule la bomba ni el motor de la bomba con las manos mojadas o parado sobre una superficie mojada o húmeda o en agua.
- Cuando haya una bomba en su aplicación, no toque el motor, las tuberías ni el agua sino hasta haber desenchufado o eléctricamente desconectado la unidad.
- Si la desconexión de alimentación está fuera del sitio, bloquéela en la posición abierta y etiquétela para evitar una conexión inesperada de la alimentación.
- Si no se tuviera acceso al panel de desconexión, comuníquese con la compañía eléctrica para interrumpir el servicio.

### **⚠ ADVERTENCIA**



#### **Esta unidad tiene voltajes elevados que son capaces de provocar lesiones graves o muerte por descarga eléctrica.**

- Para reducir el riesgo de descarga eléctrica, desconecte la energía antes de trabajar en el sistema o cerca de él. Es posible que sea necesario más de un interruptor de desconexión para cortar la energía del equipo antes de realizarle un mantenimiento.
- Compruebe los códigos eléctricos y de construcción locales antes de la instalación. La instalación debe estar de acuerdo con sus regulaciones, así como el National Electrical Code (NEC).
- Este producto viene con un conductor a tierra y un enchufe con conexión a tierra. Para reducir el riesgo de descarga eléctrica, asegúrese que se conecte solo a un receptáculo del tipo con conexión a tierra que esté conectado apropiadamente a tierra. La tercer punta es para conectar la bomba a tierra con el fin de evitar posibles peligros de descarga eléctrica. No retire la tercera punta del enchufe. No use un cable de extensión.
- Asegúrese de que el agua creciente no alcance la conexión eléctrica. En ninguna circunstancia se debe colocar la conexión donde pueda inundarse o sumergirse en agua.
- Revise los tomacorrientes con un analizador de circuito para garantizar que los cables de alimentación, neutro y a tierra estén conectados correctamente. De lo contrario, un electricista calificado y autorizado deberá rectificar el problema.
- Cablee el sistema de bombeo para los voltajes correctos.
- No use el cable eléctrico para levantar la bomba.

**▲ PRECAUCIÓN**



**Riesgo de lesiones corporales, descargas eléctricas o daños al equipo.**

- Este equipo no deben usarlo niños ni personas con capacidades físicas, sensoriales o mentales reducidas, ni aquellos que carezcan de experiencia y capacitación, salvo que estén bajo supervisión o instrucción. Los niños no podrán usar el equipo ni jugar con la unidad o en las cercanías inmediatas.
- El equipo puede encenderse en forma automática. Siempre desenchufe el cable eléctrico de la bomba y desconecte la alimentación eléctrica antes de realizar el mantenimiento de la bomba o del interruptor.
- Esta bomba solo ha sido evaluada para usar con agua. La bomba solo se debe usar con líquidos compatibles con los materiales componentes de la bomba. Si la bomba se usa con líquidos incompatibles con sus componentes, el líquido puede causar fallos en el sistema de aislamiento eléctrico y producir un choque eléctrico.
- Una bomba que no funciona o funciona mal podría provocar una inundación y provocar lesiones personales o daños materiales.
- En aplicaciones donde una bomba no operativa o con fugas podría producir daños materiales o lesiones personales debido a interrupciones en el suministro eléctrico, obstrucciones en la línea de descarga u otros motivos, se debe instalar un sistema de respaldo automático y/o una alarma.
- No haga funcionar vacía la bomba. Si la hace funcionar vacía, la temperatura de la superficie de la bomba aumentará al punto que podría provocar quemaduras si se la toca y le causará serios daños a su bomba.
- No lubrique el motor. Esta unidad tiene lubricación permanente. No requiere lubricación. La carcasa del motor de la bomba está sellada. No abra la porción sellada de la bomba ni retire los tornillos de la carcasa. Abrir la carcasa del motor puede causar choque eléctrico grave y/o daño permanente de la bomba.
- El funcionamiento de este equipo requiere instrucciones detalladas para su instalación y operación que se encuentran en este manual para usar con este producto. Lea la totalidad del manual antes de comenzar la instalación y operación. El usuario final debe recibir y conservar el manual para uso futuro.
- Mantenga las etiquetas de seguridad limpias y en buenas condiciones.
- Mantenga el área de trabajo limpia, bien iluminada y ordenada.
- Use gafas de seguridad mientras realiza la instalación o el mantenimiento de la bomba.
- No use vestimenta suelta, joyas ni nada que pueda quedar atrapado en las piezas giratorias. Átese el cabello largo y quítese las joyas.

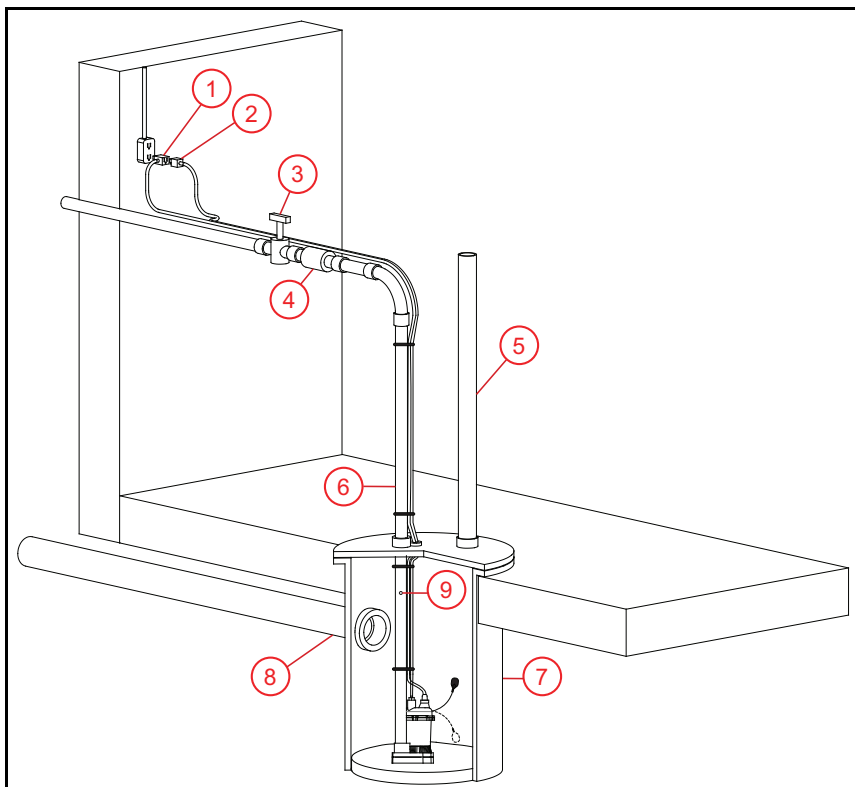
**AVISO**

**Riesgo de daños a bomba u otros equipos.**

- No use esta bomba para bombear agua de mar, bebidas, ácidos, soluciones químicas u otros líquidos que provoquen corrosión, ya que eso puede dañar la bomba.
- No haga funcionar vacía la bomba. Para una refrigeración óptima y prolongar la vida útil del motor, el nivel de líquido que se bombee debería estar comúnmente por encima de la parte superior de la carcasa de la bomba.
- Esta bomba no es apta para aplicaciones en estanques.
- La garantía se anula si se ha quitado la carcasa del motor o el cordón eléctrico de alimentación.

## INSTALACIÓN

### Instalación típica



- |   |                                    |
|---|------------------------------------|
| 1 Interruptor de flotador enchufe de alimentación | 6 Descarga                         |
| 2 Enchufe de alimentación de la bomba             | 7 Depósito impermeable a los gases |
| 3 Válvula de compuerta                            | 8 Toma                             |
| 4 Válvula de retención                            | 9 Orificio de purga de aire        |
| 5 Ventilación                                     |                                    |

### Instalación física

1. Instale la bomba en una batea colectora estanca adecuada de al menos 18 pulgadas (45.7 cm) de diámetro y 24 pulgadas (61.0 cm) de profundidad, con veteo conforme a los códigos de plomería locales, estatales y federales.
2. Coloque la bomba junto con la batea sobre una superficie rígida y nivelada.
  - Nunca coloque la bomba directamente sobre superficies de arcilla, tierra o grava.
  - Asegure la bomba para que el torque de arranque no haga que la bomba entre en contacto con nada ni nadie.

3. Instale la tubería de descarga.
  - No utilice tuberías más pequeñas que la descarga de la bomba.
  - Utilice tubos de ABS, PVC, polietileno o acero inoxidable.
4. Instale una válvula de retención de paso directo en la línea de descarga horizontal para evitar el reflujo de líquido hacia la batea colectora.
  - Se recomienda una válvula de retención de bola.

**NOTA:** Si se instala verticalmente, los sólidos pueden asentarse dentro de la válvula y evitar que se abra durante el arranque.
5. Perfore un orificio de alivio de 1/8 o 3/16 de pulgada (3.18 o 4.76 mm) de diámetro en la tubería de descarga debajo de la línea del piso y entre la descarga de la bomba y la válvula de retención.

**NOTA:** Si no se proporciona, la bomba podría “bloquearse con aire” y no bombeará agua, aunque siga funcionando.
6. Instale una válvula de cierre después de la válvula de retención para permitir el mantenimiento.
7. Asegure la bomba y los cables del interruptor a la línea de descarga.
8. Coloque la tapa sobre la batea colectora.

## Conexiones eléctricas

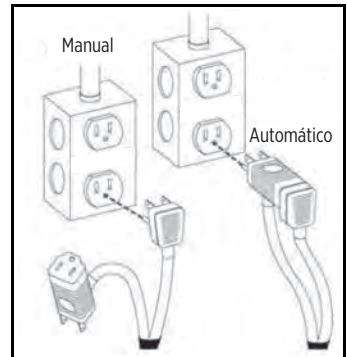
### ⚠ ADVERTENCIA



**Esta unidad tiene voltajes elevados que son capaces de provocar lesiones graves o muerte por descarga eléctrica.**

- Para minimizar el riesgo de descarga eléctrica, desconecte la energía antes de trabajar en o alrededor del sistema.
- El conjunto de cables recubiertos flexibles montado a la bomba no se debe modificar en modo alguno, salvo para acortar el cable para adecuarlo al interior del panel de control. Todos los empalmes entre la bomba y el panel de control deben realizarse dentro de una caja de conexiones montada fuera de la cuenca y deben cumplir con el Código Eléctrico Nacional. Emplee un electricista autorizado.

1. Conecte el cable de alimentación a una fuente constante de energía que coincida con el voltaje en la placa de identificación de la bomba.
  - Conecte la bomba a su propio circuito, sin otros receptáculos o equipos eléctricos en el circuito.
  - Asegúrese de que los fusibles o el disyuntor que forman parte del circuito eléctrico sean de amplia capacidad.
  - Enchufe las bombas en un receptáculo con conexión a tierra.
2. Controle la alimentación de la bomba conectando y desconectando la alimentación o enchufando y desenchufando el cable.



- Para el funcionamiento automático, conecte el cable de la bomba al cable del interruptor de flotador. A continuación, conecte los cables acoplados a un receptáculo con conexión a tierra. Se requiere una toma de corriente GFCI para aplicaciones exteriores.

## **PRUEBA DE OPERACIÓN**

### **AVISO**

#### **Riesgo de daños a bomba u otros equipos.**

- Antes de cada uso, siempre compruebe el cordón de alimentación y la toma en busca de daño o corrosión. El cordón eléctrico de alimentación de estas unidades no se puede reemplazar. Si está dañado, reemplace la bomba.
- No permita que la unidad funcione en seco (sin líquido). Está diseñada para estar refrigerada mediante el bombeo de líquido. Si la bomba funciona en seco, es posible que dañe el sello y que el motor falle.

Para probar el funcionamiento de la bomba independientemente del cable del interruptor de flotador, instale la bomba y conecte el cable de la bomba directamente a la toma de corriente.

1. Enchufe el conjunto de la bomba y el cable de conexión en un receptáculo con conexión a tierra.
  - Asegúrese de que la válvula de compuerta de la línea de descarga esté abierta.
2. Haga correr agua hacia el interior del colector.
3. Confirme que la bomba y los interruptores estén funcionando según lo previsto.
  - Asegúrese de que los niveles de encendido y apagado están dentro de las especificaciones y que no existen obstrucciones potenciales que puedan inhibir el funcionamiento del interruptor. Consulte "[Especificaciones](#)" en la [página 9](#).
  - Confirme que no hay fugas en las tuberías del sistema.
  - Confirme que la pulverización proveniente del orificio de purga de aire se recoge dentro del colector.
4. Deje que la bomba funcione durante varios ciclos de encendido y apagado.

## **MANTENIMIENTO**

### **▲ ADVERTENCIA**



#### **Riesgo de lesiones graves o muerte por choque eléctrico, altas temperaturas o fluidos presurizados.**

- Antes de trabajar en la bomba o el interruptor, siempre desenchufe el cordón de alimentación de la bomba, además de quitar el fusible o desconectar el interruptor automático de protección.
- Deje que la bomba se enfríe al menos 2 horas antes de intentar realizarle mantenimiento. Las bombas sumergibles puede hacerse presurizado y caliente en condiciones de operación normales.

### **AVISO**

#### **Riesgo de daños a bomba u otros equipos.**

- Esta unidad está lubricada permanentemente. No requiere que se le cargue aceite. No abra la sección sellada de la unidad ni quite los tornillos de la carcasa.
- No quite la cubierta de la carcasa del motor, el impulsor o los sellos. La garantía quedará anulada si se han quitado la cubierta de la carcasa del motor, el impulsor o los sellos. Las reparaciones al motor o el impulsor requieren herramientas especiales.

## **Almacenamiento**

1. Desconecte la bomba de la fuente de alimentación.
2. Retire la bomba de la tubería de descarga.
3. Drene todo el líquido de la bomba y deje que se seque por completo.
4. Guarde la bomba en un lugar cálido y seco.

## Servicio periódico

Inspeccione y pruebe la condición y el funcionamiento del sistema de la bomba cada tres meses; con mayor frecuencia en aplicaciones de uso intensivo.

1. Revise los cables de alimentación y el tomacorriente en busca de daños o corrosión.  
**IMPORTANTE:** Si el cable de alimentación está dañado, se debe reemplazar la unidad en su totalidad.
2. Retire todos los desechos (gravilla, arena, desechos flotantes, etc.) de la batea.
3. Revise los componentes del sistema de bombeo (batea, bomba, interruptor, etc.) para detectar cualquier acumulación (lodo, sed-imento, minerales, etc.) que impedirían la funcionalidad de los componentes.
  - Si es importante, elimine la acumulación o reemplace los componentes afectados.
4. Confirme que todos los accesorios de plomería estén bien sujetos, no estén dañados y funcionen según lo previsto.
5. Prueba de funcionamiento del sistema de bombeo. Consulte [“Prueba de operación” en la página 14.](#)

## Limpieza de impulsor y voluta

1. Retire los tornillos que sujetan la base a la voluta y separe la base de la voluta.  
**IMPORTANTE:** No quite la cubierta de la carcasa del motor.
2. Limpie el impulsor y el pasaje de la voluta.  
**IMPORTANTE:** No use solventes fuertes cuando limpie el impulsor.
  - No quite el impulsor.
3. Asegúrese de que el impulsor gire libremente después de la limpieza.
4. Vuelva a colocar la base en la voluta y asegúrela con los tornillos.

## Solución de problemas

Problema	Causas probables	Acción correctiva
La bomba no se enciende	La bomba no está conectada al suministro eléctrico	Conecte la bomba a un circuito GFCI dedicado.
	Disyuntor apagado o sin fusible	Encienda el disyuntor o reemplace el fusible.
	Acumulación de residuos sobre el flotante	Limpié el flotante.
	Obstrucción del flotante	Revise el recorrido del flotante y deje espacio libre.
	Interruptor defectuoso	Reemplace el interruptor.
	Motor defectuoso	Reemplace la bomba.
La bomba no se apaga	Obstrucción del flotante o de la varilla del flotante	Revise el recorrido del flotante y la varilla del flotante y deje espacio libre.
	La bomba está bloqueada por aire	Retire la bomba y limpie el orificio de purga de aire.
	El flujo de entrada de líquido coincide con la capacidad de la bomba	Se requiere una bomba más grande.
	Interruptor defectuoso	Reemplace el interruptor.
La bomba funciona pero no descarga líquido	Válvula de retención instalada al revés	Revise en el cuerpo de la válvula de retención la flecha que indica la dirección de flujo para garantizar que la instalación sea correcta.
	Válvula de retención atascada u obstruida	Quite la válvula de retención y revisela para comprobar que funcione bien.
	Elevación demasiado alta para la bomba	Revise el desempeño nominal de la bomba.
	Entrada al impulsor obstruido	Quite la bomba y límpiela.
	La bomba está bloqueada por aire	Retire la bomba y guárdela en un lugar seco.
La bomba no cumple con la capacidad nominal	Elevación demasiado alta para la bomba	Revise el desempeño nominal de la bomba.
	Bajo voltaje, velocidad demasiado lenta	Compruebe si hay una fuente de tensión correcta.
	El impulsor o la tubería de descarga están obstruidos	Quite la bomba y límpiela. Revise si la tubería tiene sarro o señales de corrosión.
	Desgaste del impulsor causado por abrasivos	Reemplace la bomba.
La bomba se enciende y se apaga continuamente	No hay válvula de retención en la tubería de descarga larga, lo que permite que el líquido se devuelva al colector	Instale la válvula de retención para que funcione correctamente.
	Fugas en la válvula de retención	Instale la válvula de retención de modo que funcione correctamente.
	Colector demasiado pequeño para el flujo entrante	Instale un colector más grande.
El agua sale por un orificio en el tubo de descarga	Debe haber un orificio de purga en la tubería de descarga que permita que el aire atrapado salga de la bomba, lo que evita la obstrucción por aire. Es completamente normal que salga agua de este orificio	No se requiere ninguna acción correctiva.



Para la ayuda técnica, por favor póngase en contacto:

**800.701.7894** | [littlegiant.com](http://littlegiant.com)

10000011800 Rev. 001 07/22

**LittleGIANT®**

Franklin Electric Co., Inc. | Oklahoma City, OK 73157-2010

Copyright © 2022, Franklin Electric, Co., Inc. Todos los derechos están reservados.



## Pompes d'effluents BSC33 et BSC50V

Cette pompe immergée est prévue pour être utilisée dans des bassins ou des stations de relèvement. Elle peut être utilisée pour pomper de l'eau claire ou des effluents ménagers contenant des semi-solides de forme sphérique jusqu'à 9,53 mm (¾ po) de diamètre. Ne pas utiliser la pompe dans des applications où les eaux d'égout ou d'autres débris (gravier, sable, débris flottants, etc.), des abrasifs ou des matières corrosives sont présents.

Le moteur de la pompe est doté d'un disjoncteur thermique à réenclenchement automatique et peut redémarrer inopinément. Le déclenchement du dispositif protecteur indique une surcharge ou une surchauffe du moteur, qui peut être causée par des problèmes d'application comme l'obstruction d'une roue de la pompe, le blocage de l'interrupteur en position marche, le fonctionnement à sec de la pompe, le blocage de la pompe par de l'air, le fonctionnement de la pompe en cycles courts, une tension d'alimentation trop élevée ou trop basse, ou, éventuellement, une pompe, un moteur, des roulements ou un joint ayant atteint la fin de sa/leur vie utile.

Ce produit est couvert par une garantie limitée pour une période de 2 ans à compter de la date d'achat originale par le consommateur. Pour obtenir des informations complètes sur la garantie, consultez

[www.LittleGiant.com](http://www.LittleGiant.com).



## Spécifications

Modèle	CH	Volts	Hz	Ampères à pleine charge	Watts	Longueur de la corde m (pie)
BSC33V	1/3	115	60	4,3	400	3,05 (10)
BSC33T						9,14 (30)
BSC50V				1/2	5,3	507

## Débits

Modèle	Litres (gallons) par heure en hauteur				Arrêt m (pieds)	Bar (lb/po <sup>2</sup> )
	1.5 m (5 pieds)	3.0 m (10 pieds)	4.6 m (15 pieds)	6.1 m (20 pieds)		
BSC33V	189 (50)	155 (41)	117 (31)	61 (16)	7,62 (25)	0,74 (10,8)
BSC33T						
BSC50V	242 (64)	189 (50)	140 (37)	91 (24)	8,5 (28)	0,83 (12,1)

## Niveaux de marche/arrêt

Modèle	Marche cm (po.)	Arrêt cm (po.)
BSC33 Commutateur à flotteur relié	30,48 - 35,56 (12,0 - 14,0)	10,16 - 15,24 (4,0 - 6,0)
BSC33 Commutateur à flotteur vertical	15,24 - 20,32 (6,0 - 8,0)	3,30 - 5,84 (1,8-3,8)
BSC50V		

## CONSIGNES DE SÉCURITÉ

Cet équipement doit être installé et entretenu par des techniciens qualifiés capables de choisir et d'utiliser les outils, les équipements et les procédures appropriés. Le non-respect des codes électriques et codes de plomberie local et national et des recommandations de Little Giant pourrait mener à une électrocution ou un incendie, une mauvaise performance ou une défaillance de l'équipement.

Renseignez-vous sur l'application, les limitations et les risques potentiels du produit. Lisez et suivez attentivement les instructions pour éviter toute blessure ou tout dommage matériel. Ne démontez pas et ne réparez pas l'appareil si ces opérations ne sont pas décrites dans le présent manuel.

Consulter la plaque signalétique du produit pour obtenir des instructions et des spécifications de fonctionnement supplémentaires.

Le non-respect des procédures d'installation ou d'utilisation et de tous les codes en vigueur peut entraîner les risques suivants:

### **▲ DANGER**



#### **Risque de mort, de blessure corporelle ou de dommage matériel en raison d'une explosion, d'un incendie ou d'une électrocution.**

- Ne pas utiliser pour pomper des liquides inflammables, combustibles ou explosifs comme l'essence, le mazout, le kérosène, etc.
- Ne pas utiliser dans une atmosphère explosive ou un emplacement dangereux selon le Code national de l'électricité, ANSI/NFPA70.
- Ne pas manipuler une pompe ou un moteur de pompe avec les mains mouillées ou debout sur une surface humide ou mouillée, ou dans de l'eau.
- Lorsqu'une pompe est en mode de fonctionnement, ne pas toucher le moteur, les tuyaux ou l'eau tant que l'unité n'a pas été débranchée ou déconnectée électriquement.
- Si le dispositif de coupure du circuit d'alimentation se situe hors site, le verrouiller en position ouverte et le consigner afin d'empêcher toute mise sous tension inopinée.
- Si le panneau de déconnexion n'est pas accessible, contactez la compagnie d'électricité pour arrêter le service.

### **▲ AVERTISSEMENT**



#### **Cet appareil contient des tensions élevées susceptibles d'entraîner par choc électrique des blessures graves ou la mort.**

- Pour réduire le risque de choc électrique, débranchez l'alimentation avant de travailler sur le système ou autour de celui-ci. Plusieurs interrupteurs d'isolement peuvent être nécessaires pour décharger l'équipement avant de procéder à son entretien.
- Vérifiez les codes locaux d'électricité et de bâtiment avant l'installation. L'installation doit être conforme à la réglementation ainsi qu'au NEC (Code américain de l'électricité).
- Ce produit est fourni avec un conducteur de mise à la terre et une fiche munie d'une attache de mise à la terre. Pour réduire le risque de décharge électrique, assurez-vous de seulement brancher la pompe à une prise électrique correctement mise à la terre. Ne retirez pas la troisième branche de la fiche. La troisième branche sert à la mise à la terre de la pompe, afin de prévenir tout risque possible de décharge électrique. N'utilisez pas un cordon de rallonge.
- Assurez-vous que les branchements électriques ne peuvent pas être en contact avec l'eau si son niveau augmente.
- Vérifier les prises électriques à l'aide d'un analyseur de circuit pour s'assurer que les fils de phase, de neutre et de terre sont correctement branchés. Si ce n'est pas le cas, le problème doit être corrigé par un électricien qualifié agréé.
- Raccorder le système de pompe en respectant la tension indiquée.
- Ne pas soulever la pompe à l'aide du cordon électrique.

**⚠ ATTENTION**



**Risque de blessure, de choc électrique ou de dégâts matériels.**

- Cet équipement ne doit pas être utilisé par des enfants ou des personnes aux capacités physiques, sensorielles ou cognitives réduites, ou par des personnes n'ayant pas l'expérience ou l'expertise appropriée, sauf si ces personnes sont supervisées ou ont reçu des instructions à cet effet. Les enfants ne doivent pas utiliser l'équipement ni jouer avec l'appareil ou dans sa proximité immédiate.
- L'équipement peut démarrer automatiquement. Débranchez toujours le cordon d'alimentation de la pompe et coupez l'alimentation électrique avant d'entretenir la pompe ou l'interrupteur.
- Cette pompe a été testée pour une utilisation avec de l'eau uniquement. La pompe ne doit être utilisée qu'avec des liquides compatibles avec les matériaux des composants de pompe. Sinon, les liquides peuvent provoquer une défaillance du système d'isolation électrique et causer une décharge électrique.
- Une pompe inopérante ou défectueuse pourrait entraîner une inondation, des blessures corporelles ou des dommages matériels.
- Dans les applications où des dommages matériels et/ou des blessures corporelles pourraient découler du non-fonctionnement ou d'une fuite de la pompe en raison de pannes de courant, d'une obstruction de la ligne d'évacuation ou de toute autre raison, un système de sauvegarde automatique et/ou une alarme doivent être installés.
- Ne pas faire fonctionner la pompe à sec. En cas de fonctionnement à sec, la température à la surface de la pompe augmentera à un niveau susceptible de causer des brûlures cutanées en cas de contact et entraînera de graves dommages à votre pompe.
- N'ajoutez pas d'huile dans le moteur. Cette unité est lubrifiée en permanence. Le huilage n'est pas nécessaire. Le carter du moteur de la pompe est scellé. N'ouvrez pas la partie scellée de l'unité et ne retirez pas les vis du carter. L'ouverture du carter du moteur peut provoquer une décharge électrique grave ou des dommages permanents à la pompe.
- Ce manuel contient des instructions d'installation et d'utilisation détaillées requises pour une exploitation sûre de l'équipement. Veuillez lire ce manuel au complet avant d'installer et d'utiliser cet équipement. L'utilisateur final doit recevoir le manuel et le conserver pour une utilisation ultérieure.
- Garder les étiquettes de sécurité propres et en bon état.
- Garder la zone de travail propre, bien éclairée et dégagée.
- Porter des lunettes de sécurité lors de l'installation ou de l'entretien de la pompe.
- Ne pas porter de vêtements amples, de bijoux ou tout autre accessoire qui pourrait se prendre dans les pièces mobiles de l'équipement. Attacher les cheveux longs et retirer les bijoux.

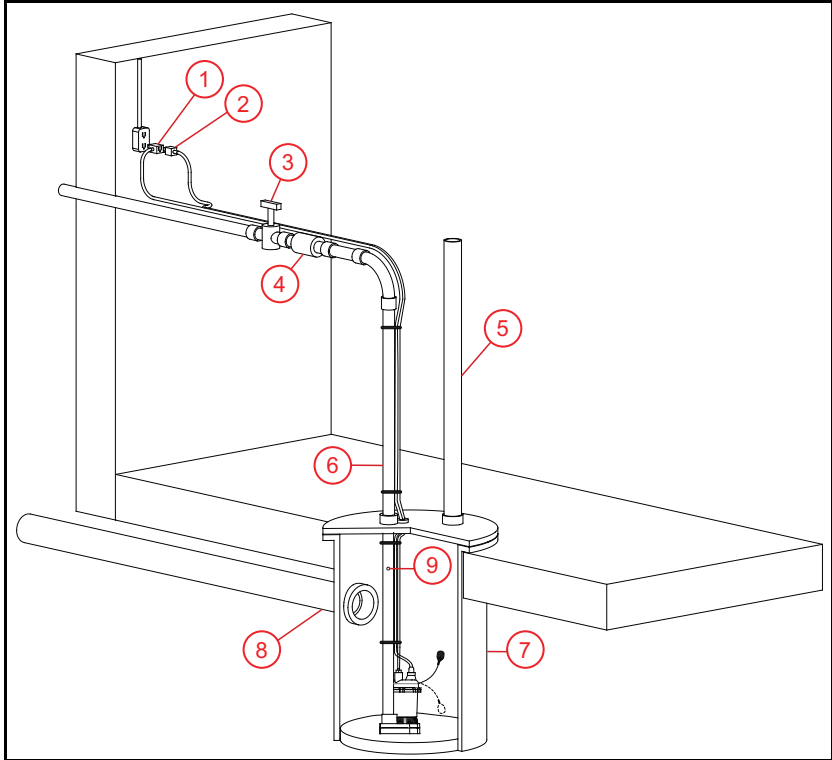
**AVIS**

**Risque de dommages à la pompe ou d'autres équipements.**

- Ne pas utiliser la pompe pour pomper de l'eau de mer, des boissons, de l'acide, des solutions chimiques ou tout autre liquide qui favoriserait la corrosion, ce qui pourrait endommager la pompe.
- Ne pas faire tourner la pompe à sec. Pour obtenir un refroidissement optimal et pour prolonger la durée de vie de la pompe, le niveau de liquide pompé doit normalement dépasser le dessus du boîtier de la pompe.
- Cette pompe n'est pas prévue pour être utilisée dans un étang.
- La garantie est nulle si le couvercle du carter du moteur ou le cordon d'alimentation a été retiré.

## INSTALLATION

### Installation typique



- |  |                          |
|--|--------------------------|
| 1 Corde de pouvoir de changement de flotteur | 6 Refoulement            |
| 2 Corde de pouvoir de pompe                  | 7 Bassin étanche aux gaz |
| 3 Clapet de la vanne                         | 8 Entrée                 |
| 4 Clapet antiretour                          | 9 Orifice de prise d'air |
| 5 Aération                                   |                          |

### Installation physique

1. Installez la pompe dans un bassin étanche au gaz d'au moins 45,7 cm (18 po) de diamètre et 61.0 cm (24 po) de profondeur, ventilé conformément aux codes de plomberie locaux, provinciaux et fédéraux.
2. Placez l'ensemble pompe-bassin sur une surface dure et plane.
  - Ne jamais placer la pompe directement sur des surfaces en argile, en terre ou en gravier.
  - Fixez la pompe de façon à ce que le couple de démarrage n'entraîne aucun contact de la pompe avec qui que ce soit ou quoi que ce soit.
3. Installez la tuyauterie de décharge.
  - Ne pas utiliser de tuyauterie plus petite que le refoulement de la pompe.
  - Utilisez des tuyaux en ABS, PVC, polyéthylène ou acier inoxydable.

4. Installez un clapet anti-retour à plein débit dans la conduite de refoulement horizontalement pour empêcher le reflux de liquide dans le bassin.
  - Un clapet à bille est recommandé.

**REMARQUE :** S'il est installé verticalement, les solides peuvent se déposer dans le clapet et l'empêcher de s'ouvrir au démarrage.

5. Percez un trou de dégagement de 3,18 mm ou 4,76 mm (1/8 po ou 3/16 po) de diamètre dans le tuyau de refoulement sous la ligne de plancher et entre le refoulement de la pompe et le clapet anti-retour.

**REMARQUE :** Si elle n'est pas fournie, la pompe pourrait se « bloquer à l'air » et ne pompera pas l'eau même si elle fonctionne.

6. Installez une vanne d'arrêt à la suite du clapet anti-retour pour permettre l'entretien.
7. Fixez les cordons de la pompe et de l'interrupteur à la conduite de refoulement.
8. Placez le couvercle sur le bassin.

## Connexions électriques

### ⚠ AVERTISSEMENT



**Cet appareil contient des tensions élevées susceptibles d'entraîner par choc électrique des blessures graves ou la mort.**

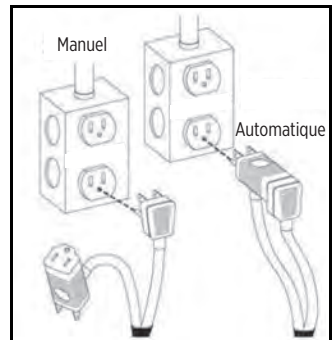
- Pour réduire le risque de choc électrique, débranchez l'alimentation avant de travailler sur ou autour du système.
- Le cordon flexible enveloppé monté sur la pompe ne peut être modifié d'aucune manière que ce soit. Il peut uniquement être raccourci si cela est nécessaire pour le faire rentrer dans le panneau de commande. Toute épissure entre la pompe et le panneau de commande doit être réalisée dans une boîte de jonction montée à l'extérieur du bassin, en conformité avec le code national de l'électricité. Faire appel à un électricien agréé.

1. Raccordez le cordon d'alimentation à une source d'alimentation électrique constante qui correspond à la plaque signalétique de la pompe.

- Connectez la pompe à son propre circuit, sans aucun autre équipement électrique ou prise dans le circuit.
- Assurez-vous que les fusibles ou le disjoncteur ont une capacité suffisante dans le circuit électrique.
- Branchez les pompes dans une prise de courant correctement mise à la terre.

2. Contrôlez l'alimentation de la pompe en mettant l'appareil sous/hors tension ou en branchant et débranchant le cordon.

- Pour un fonctionnement automatique, branchez le cordon de la pompe dans le cordon de l'interrupteur à flotteur. Branchez ensuite les cordons couplés dans une prise de courant mise à la terre. Une prise avec disjoncteur de fuite de terre est nécessaire pour les applications extérieures.



## TEST DE FONCTIONNEMENT

### AVIS

#### Risque de dommages à la pompe ou d'autres équipements.

- Avant chaque utilisation, vérifiez toujours que le cordon d'alimentation et la prise électrique ne sont pas endommagés ou corrodés. Le cordon d'alimentation de ces unités ne peut pas être remplacé. S'il est endommagé, remplacez la pompe.
- Ne laissez pas l'unité fonctionner à vide (sans liquide). Elle est conçue pour être refroidie par le fluide pompé. Vous pouvez endommager le joint d'étanchéité et faire défaillir le moteur si la pompe fonctionne à vide.

Pour tester le fonctionnement de la pompe indépendamment du cordon de l'interrupteur à flotteur, installez la pompe et branchez le cordon de la pompe directement dans la prise.

1. Branchez l'ensemble de pompe et cordon de ferroutage dans une prise de courant mise à la terre.
  - Assurez-vous que le robinet-vanne de la conduite de refoulement est ouvert.
2. Faites couler de l'eau dans le bassin.
3. Vérifiez que la pompe et les commutateurs fonctionnent comme prévu.
  - Assurez-vous que les niveaux de marche/arrêt sont conformes aux spécifications et qu'il n'existe aucune obstruction potentielle qui pourrait empêcher le fonctionnement du commutateur. Consultez « [Spécifications](#) » page 17.
  - Confirmez qu'il n'y a pas de fuites dans la plomberie du système.
  - Confirmez que le jet provenant de l'orifice de purge d'air est capturé dans le bassin.
4. Laissez la pompe fonctionner pendant plusieurs cycles de marche/arrêt.

## ENTRETIEN

### ▲ AVERTISSEMENT



#### Risque de blessure grave ou de mort par électrocution, température élevée ou liquide sous pression.

- Débranchez toujours le cordon d'alimentation de la pompe en plus de retirer le fusible ou de fermer le disjoncteur avant de travailler sur la pompe ou l'interrupteur.
- Laissez la pompe refroidir pendant au moins 2 heures avant de la remettre en service. Les pompes immergées peuvent devenir pressurisées et chaudes dans des conditions de fonctionnement normales.

### AVIS

#### Risque de dommages à la pompe ou d'autres équipements.

- Cette unité est lubrifiée en permanence. Aucun graissage n'est nécessaire. Ne pas ouvrir la partie scellée de l'unité ni retirer les vis du boîtier.
- Ne pas retirer le couvercle du boîtier du moteur, le rotor ou les joints. Le retrait du couvercle du boîtier du moteur, du rotor ou des joints entraînera l'annulation de la garantie. La réparation du moteur ou du rotor nécessite l'utilisation d'outils spéciaux.

## Stockage

1. Débranchez la pompe de la source d'alimentation.
2. Retirez la pompe de la tuyauterie de refoulement.
3. Videz tout le liquide de la pompe et laissez-la sécher complètement.
4. Rangez la pompe dans un endroit chaud et sec.

## Service périodique

Inspectez et testez l'état et le fonctionnement du système de pompe tous les trois mois, plus régulièrement dans les applications à usage intensif.

1. Vérifiez que les cordons d'alimentation et la prise électrique ne sont pas endommagés ou corrodés.

**IMPORTANT :** Si le cordon d'alimentation est endommagé, l'unité entière doit être remplacée.

2. Retirez tous les débris (gravier, sable, débris flottants, etc.) du bassin.
3. Vérifiez que les composants du système de pompage (bassin, pompe, interrupteur, etc.) ne présentent aucune accumulation (boue, sédiments, minéraux, etc.) qui empêcherait le fonctionnement des composants.
  - Si elle est importante, enlevez l'accumulation ou remplacez les composants concernés.
4. Confirmez que tous les appareils de plomberie sont sécurisés, non endommagés et fonctionnent comme prévu.
5. Testez le fonctionnement du système de pompe. Consultez [« Test de fonctionnement » page 22](#).

## Nettoyage de la roue et de la volute

1. Retirez les vis qui maintiennent la base à la volute et séparez la base et la volute.

**IMPORTANT :** Ne pas retirer le couvercle du boîtier du moteur.

2. Nettoyez la roue et le passage de la volute.

**IMPORTANT :** Ne pas utiliser de solvant fort sur la roue.

- Ne retirez pas la roue.
3. Assurez-vous que la roue tourne librement après le nettoyage.
  4. Réattachez la base à la volute et fixez-la avec les vis.

## Dépannage

Problème	Causes probables	Mesure corrective
La pompe ne se met pas en marche	La pompe n'est pas branchée à l'alimentation électrique	Raccordez la pompe à un circuit dédié équipé d'une prise DDFT.
	Le disjoncteur est éteint ou le fusible a été retiré	Mettez le disjoncteur sous tension ou remplacez le fusible.
	Accumulation de déchets sur flotteur	Nettoyez le flotteur.
	Obstruction du flotteur	Vérifiez l'itinéraire du flotteur et dégagez-le.
	Interrupteur défectueux	Remplacez l'interrupteur.
La pompe ne s'éteint pas	Moteur défectueux	Remplacez la pompe.
	Obstruction du flotteur ou de la tige du flotteur	Vérifiez le flotteur et la trajectoire de la tige du flotteur et prévoyez un dégagement.
	La pompe est bloquée par l'air	Retirez la pompe et nettoyez le trou de purge d'air.
	L'arrivée de liquide correspond à la capacité de la pompe	Une pompe de plus grande taille est nécessaire.
La pompe fonctionne, mais elle ne refoule pas le liquide	Interrupteur défectueux	Remplacez l'interrupteur.
	Clapet anti-retour installé à l'envers	Vérifiez la flèche indiquant le débit sur le corps du clapet anti-retour pour s'assurer que l'installation est correcte.
	Soupape antiretour bloquée ou bouchée	Retirez la soupape antiretour et vérifiez qu'elle fonctionne correctement.
	La pompe est soulevée trop haut	Vérifiez le rendement de la pompe nominale.
	L'entrée de la roue est bouchée	Tirez la pompe et nettoyez.
La pompe n'atteint pas la puissance nominale	La pompe est bloquée par l'air	Retirez la pompe et nettoyez le trou de purge d'air.
	La pompe est soulevée trop haut	Vérifiez le rendement de la pompe nominale.
	Tension faible, vitesse trop lente	Vérifiez que la tension d'alimentation correspond au courant nominal indiqué sur la plaque signalétique.
	La roue ou le tuyau de refoulement est bouché(e)	Tirez la pompe et nettoyez. Vérifiez que le tuyau est exempt de tartre ou de corrosion.
La pompe tourne en continu	Usure de la roue due aux abrasifs	Remplacez la pompe.
	Aucune soupape antiretour dans le tuyau de refoulement long permettant au liquide de s'égoutter dans le bassin	Installez un clapet anti-retour pour un fonctionnement correct.
	Fuite de la soupape antiretour	Assurez-vous que la soupape antiretour fonctionne correctement.
L'eau s'écoule par un trou dans le tuyau de refoulement	Bassin trop petit pour l'afflux	Installez un bassin plus grand.
	Il doit y avoir un orifice de purge dans le tuyau de refoulement qui permet à l'air emprisonné de s'échapper de la pompe, empêchant ainsi le blocage de l'air. Il est tout à fait normal que de l'eau jaillisse de cet orifice	Aucune mesure corrective n'est nécessaire.



Pour l'aide technique, entrez s'il vous plaît en contact :

**800.701.7894** | [littlegiant.com](http://littlegiant.com)

1000001800 Rev.001 07/22

**LittleGIANT®**

Franklin Electric Co., Inc. | Oklahoma City, OK 73157-2010

Droits d'auteur © 2022, Franklin Electric, Co., Inc. Tous droits réservés.