

# Industrial

## #1 Series



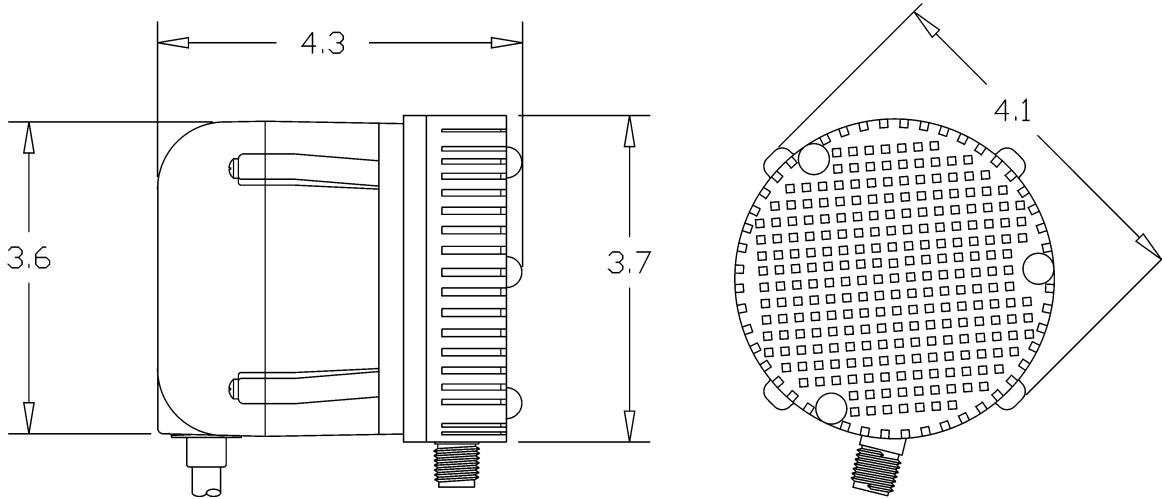
### Features

- Epoxy coated die-cast aluminum housing
- Oil-filled motor
- 7.4' maximum lift
- 70 watts
- 1/4" MNPT discharge
- Thermal overload protection (except 501003)
- For submersible use only

### Construction

- **MOTOR** – 1/150 HP Oil Filled.
- **INTERMITTENT LIQUID TEMP.** UP TO — 120° F.
- **INTAKE** – N/A.
- **DISCHARGE** – 1/4" MNPT.
- **HOUSING** – Epoxy coated cast aluminum
- **COVER** – Epoxy coated cast aluminum
- **VOLUTE** – Polypropylene
- **IMPELLER** – Polypropylene
- **SHAFT SEAL** – Nitrile
- **SCREEN** – Polyethylene

## Dimensional Outline



## Specifications

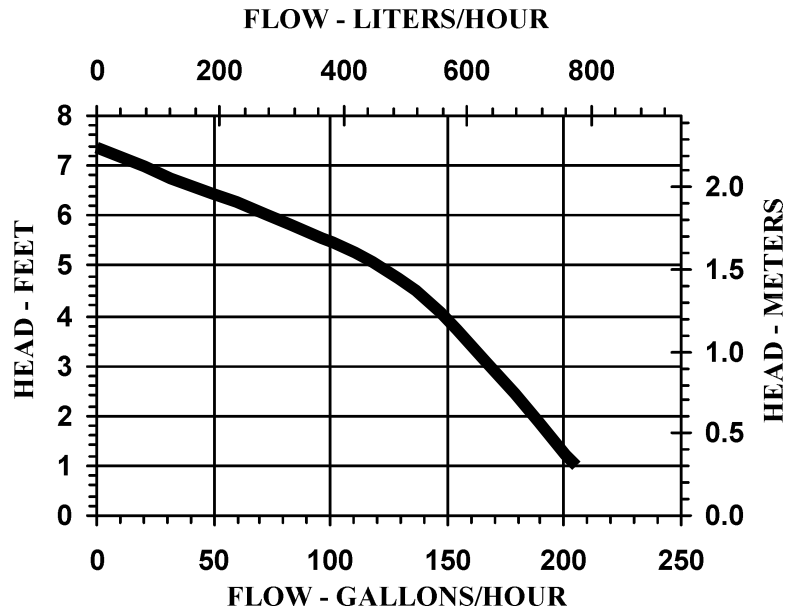
| Model No. | Item No. | Discharge Size | Listing | HP    | Volts | Hertz | Amps | Watts | Performance (GPM@Head) |     |     | Shutoff |       | Cord Length (ft.) | Weight (lbs.) |
|-----------|----------|----------------|---------|-------|-------|-------|------|-------|------------------------|-----|-----|---------|-------|-------------------|---------------|
|           |          |                |         |       |       |       |      |       | 1'                     | 3'  | 5'  | Ft.     | PS.I. |                   |               |
| 1         | 501003   | 1/4" MNPT      | UL      | 1/150 | 115   | 60    | 1.1  | 70    | 205                    | 168 | 120 | 7.4     | 3.2   | 6                 | 3.5           |
| 1         | 501500   | 1/4" MNPT      | —       | 1/150 | 127   | 60    | 1.1  | 70    | 205                    | 168 | 120 | 7.4     | 3.2   | 6                 | 3.5           |
| 1-T       | 501086   | 1/4" MNPT      | UL/CSA  | 1/150 | 115   | 60    | 1.1  | 70    | 205                    | 168 | 120 | 7.4     | 3.2   | 10                | 3.7           |
| 1-Y       | 501016   | 1/4" MNPT      | UR      | 1/150 | 230   | 50/60 | .6/4 | 70    | 205                    | 168 | 120 | 7.4     | 3.2   | 12*               | 3.8           |

\* NO PLUG

## Replacement Parts

|          |        |
|----------|--------|
| Volute   | 101375 |
| Impeller | 101441 |
| Screen   | 101376 |
| Elbow    | 943470 |

## Performance Data



P.O. Box 12010  
 Oklahoma City, OK 73157-2010  
 Phone: 1.800.701.7894  
 Fax: 1.800.678.7867  
 www.LittleGiantPump.com