

9EC/9ECH & 10ECH SERIES

This submersible pump is designed for use in basins or pumping stations and is suitable for pumping clean water or effluent gray water with up to 3/4" (19 mm) spherical semi-solids. Do not use the pump in applications where sewage or any other debris (gravel, sand, floating debris, etc.), abrasives, or corrosives are present.

The pump motor is equipped with an automatic restart thermal protector and may restart unexpectedly. Activation of the thermal protector indicates that the motor is overloaded or overheated, which may be due to application problems, such as a clogged pump impeller, a switch stuck in the ON position, a dry running of the pump, an air-sealed pump, a short pump cycle, an excessively high or low voltage supply, or a pump, motor, bearings, or seal that may have reached the end of its useful life.

This product is covered by a Limited Warranty for a period of 3 years from the date of original purchase by the consumer. For complete warranty information, refer to www.littlegiant.com.



Specifications

Model	HP	Volts	Hz	Amps		Watts	Maximum Water Temperature
				FLA	Start		
9EC	4/10	115	60	7.5	14.5	800	140 °F (60 °C)
		208-230	50/60	4.0/4.0	10.0/10.0	820/900	
9ECH		115	60	7	14.5	830	
10ECH	1/2	115	60	9	22	1030	

Model	Gallons (Liters) per Minute, at Height					Shut Off	
	5 ft (1.5 m)	10 ft (3 m)	20 ft (6.1 m)	30 ft (9.1 m)	40 ft (12.2 m)	Feet (Meters)	PSI (Bar)
9EC	70 (265)	63 (238)	45 (170)	22 (83)	-	37 (11.3)	16.0 (1.1)
9ECH	70 (265)	65 (246)	50 (189)	30 (114)	9 (34)	45 (13.7)	19.5 (1.3)
10ECH	60 (227)	55 (208)	45 (170)	30 (114)	15 (57)	60 (18.3)	26 (1.8)

Model	Switch Type	ON Level	OFF Level
9EC-CIA-SFS	Integral Snap-Action Float	7 - 10 in. (18 - 25 cm)	2 - 5 in. (5 - 13 cm)
9EC-CIA-RF	Piggyback Mechanical Float	12 - 15 in. (30 - 38 cm)	6 - 9 in. (15 - 23 cm)
9ECH-CIA-RF			
10ECH-CIA-SFS	Integral Snap-Action Float	8 - 11 in. (20 - 28 cm)	3 - 6 in. (8 - 15 cm)
10ECH-CIA-RF	Piggyback Mechanical Float	13 - 16 in. (33 - 41 cm)	7 - 10 in. (18 - 25 cm)

SAFETY INSTRUCTIONS

This equipment should be installed and serviced by technically qualified personnel who are familiar with the correct selection and use of appropriate tools, equipment, and procedures. Failure to comply with national and local electrical and plumbing codes and within Little Giant recommendations may result in electrical shock or fire hazard, unsatisfactory performance, or equipment failure.

Know the product's application, limitations, and potential hazards. Read and follow instructions carefully to avoid injury and property damage. Do not disassemble or repair unit unless described in this manual.

Refer to product data plate(s) for additional precautions, operating instructions and specifications.

Failure to follow installation or operation procedures and all applicable codes may result in the following hazards:

⚠ DANGER



Risk of death, personal injury, or property damage due to explosion, fire, or electric shock.

- Do not use to pump flammable, combustible, or explosive fluids such as gasoline, fuel oil, kerosene, etc.
- Do not use in explosive atmospheres or hazardous locations as classified by the NEC, ANSI/NFPA70.
- Do not handle a pump or pump motor with wet hands or when standing on a wet or damp surface, or in water.
- When a pump is in its application, do not touch the motor, pipes, or water until the unit is unplugged or electrically disconnected.
- If the power disconnect is out of sight, lock it in the open position and tag it to prevent unexpected application of power.
- If the disconnect panel is not accessible, contact the electric company to stop service.

⚠ WARNING



High voltages capable of causing severe injury or death by electrical shock are present in this unit.

- To reduce risk of electrical shock, disconnect power before working on or around the system. More than one disconnect switch may be required to de-energize the equipment before servicing.
- This product is supplied with a grounding conductor and grounding-type attachment plug. To reduce risk of electric shock, be certain that it is connected only to a properly grounded grounding-type receptacle. Do not remove the third prong from the plug. The third prong is to ground the pump to help prevent possible electric shock hazard. Do not use an extension cord.
- Check electrical outlets with a circuit analyzer to ensure power, neutral, and ground wires are properly connected. If not, a qualified, licensed electrician should correct the problem.
- Wire pump system for correct voltages.
- The flexible jacketed cord assembly mounted to the pump must not be modified in any way, with the exception of shortening the cord to fit into a control panel. Any splice between the pump and the control panel must be made within a junction box mounted outside of the basin and comply with the National Electrical Code. Employ a licensed electrician.
- Check local electrical and building codes before installation. The installation must be in accordance with their regulations as well as the most recent National Electrical Code (NEC).
- Do not remove the third prong from the plug, or cut plug from cord. These actions will void the warranty.

▲ CAUTION



Risk of bodily injury, electric shock, or equipment damage.

- This equipment must not be used by children or persons with reduced physical, sensory or mental abilities, or lacking in experience and expertise, unless supervised or instructed. Children may not use the equipment, nor may they play with the unit or in the immediate vicinity.
- Equipment can start automatically. Always unplug the pump power cord and disconnect the electrical power before servicing the pump or switch.
- An inoperative or malfunctioning pump could lead to flooding, resulting in personal injury or property damage. Use with approved liquid level control with correct rating that matches marked motor input in full load amperes or service factor amperes.
- In applications where property damage and/or personal injury might result from an inoperative or leaking pump due to power outages, discharge line blockage, or any other reason, an automatic back-up system and/or an alarm should be installed.
- Do not run the pump dry. If run dry, the surface temperature of the pump will rise to a high temperature that could cause skin burns if touched and will cause serious damage to your pump.
- Do not oil the motor. The pump's motor housing is sealed, with a high-grade dielectric oil for heat transfer and lifetime lubrication. Use of other oils could cause serious electric shock and/or permanent damage to the pump.
- The pump has been evaluated for use with water only. Pump should only be used with liquids compatible with pump component materials. If the pump is used with liquids incompatible with the pump components, the liquid can cause failure to the electrical insulation system resulting in electrical shock.
- Operation of this equipment requires detailed installation and operation instructions provided in this manual. Read entire manual before starting installation and operation. End User should receive and retain manual for future use.
- Keep safety labels clean and in good condition.
- Do not use motor in swimming areas.

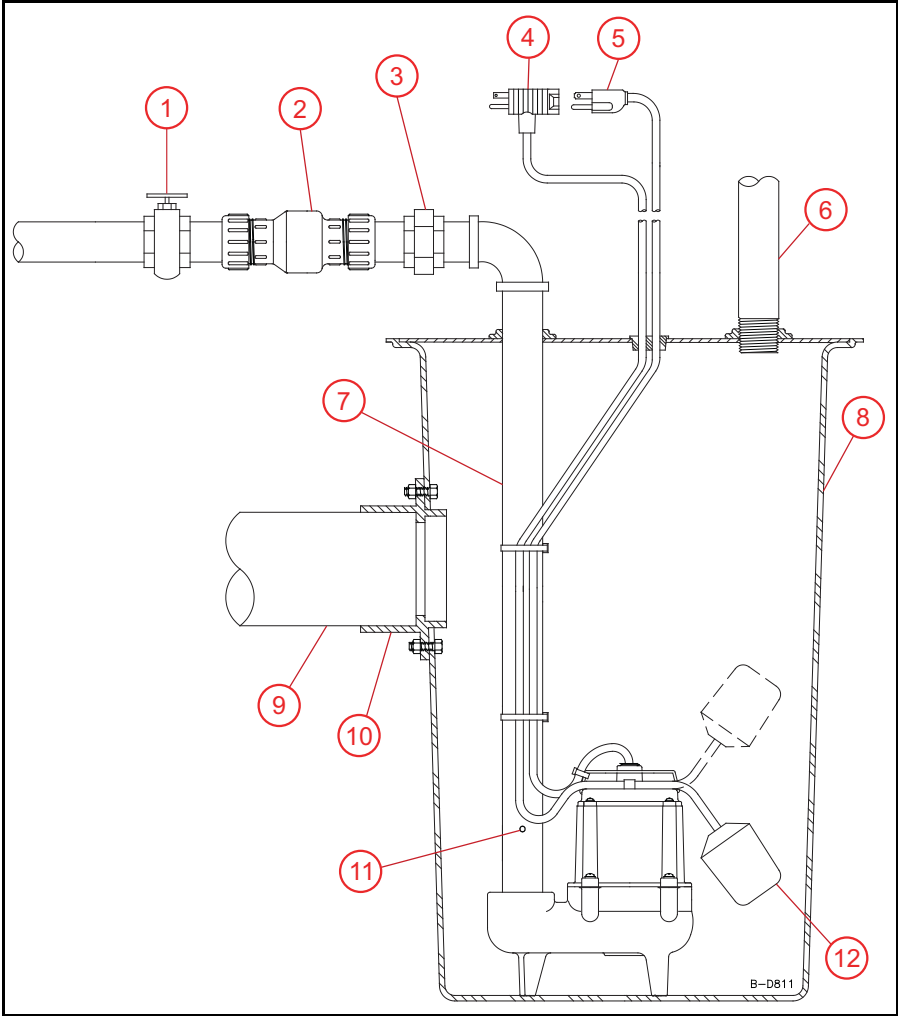
NOTICE

Risk of damage to pump or other equipment.

- Do not use this pump for pumping sea water, beverages, acids, chemical solutions, or any other liquid that promotes corrosion as this can result in damage to the pump.
- Do not run pump dry. For optimal cooling and to prolong the motor life, the liquid level being pumped should normally be above the top of the pump housing.
- This pump is not suitable for pond applications.

INSTALLATION

Typical Installation



- | | | | |
|----------------|-----------------|--------------------|--|
| 1. Gate Valve | 4. Switch Power | 7. Discharge | 10. Caulking Hub |
| 2. Check Valve | 5. Pump Power | 8. Gas Tight Basin | 11. Air Bleed Hole |
| 3. Union | 6. Vent | 9. Intake | 12. Tethered Float (Refer to "Specifications" on page 1.) |

Physical Installation

NOTICE

Risk of damage to pump or other equipment.

- Support pump and piping when assembling and when installed. Failure to do so may cause piping to break, pump to fail, motor bearing failures, etc.
- If the relief hole in the discharge pipe is not provided, the pump could “air lock” and will not pump water even though it will run.
- A missing, improperly installed, or malfunctioning check valve can cause a pump to short-cycle due to back-flow of the pumped fluid from the discharge plumbing back into the basin, significantly shortening the life of the pump.

NOTE: To test the operation before installing, refer to [“Operation Testing” on page 6](#).

1. Install the pump in the center of a suitable gas-tight basin that is at least 1.5 ft in diameter and 2 ft deep and vented in accordance with local plumbing codes.
 - Place as close as possible to the water source to minimize suction piping length.
 - Provide adequate room for future servicing, protection from freezing temperatures, flooding, and equipment drainage.
 - Never place the pump directly on clay, earth, or gravel surfaces.
 - Ensure sump is clean and free of nails, gravel, string, cloth, or other debris before installing.

IMPORTANT: Do not attempt to restrict the intake side of the pump.

2. Connect discharge piping, using pipe joint compound at all connections.
 - These pumps are available with 1.5” FNPT discharge.
 - The discharge pipe should be as short as possible and contain as few elbows as possible.
 - Piping should be the same diameter as the discharge port.
 - If reduced flow rates are required, place a valve on the discharge side of the pump.
 - If flexible vinyl tubing is used, a clamp can be used on the tubing to restrict the flow.
3. Install a union in the discharge line just above the basin cover.
4. Install a free-flow check valve in the discharge line that will easily pass 3/4” solids.
 - Install the check valve in a horizontal position or at an angle of no more than 45°.
5. Tape the pump and switch cords to the discharge piping with electrical tape.
6. Add an air relief bleed hole 1/8” or 3/16” in diameter in the discharge pipe. Refer to [“Typical Installation” on page 4](#).
 - Drill this hole at a 45° angle below the horizontal plane and away from the pump.
7. Confirm that the pump is functioning as intended.

NOTE: It is normal for a stream of water to spray from the air bleed hole in the pump's plumbing. Confirm that this spray is captured within the basin.

8. Place cover over basin.

Electrical Connections

⚠ WARNING



Risk of severe injury or death by electrical shock.

- Always disconnect the electrical power before touching the pump, discharge or electrical plug when water is present in the area.
- Do not use the power cord for lifting the pump.
- Be certain that this pump is connected to a circuit equipped with a ground fault circuit interrupter (GFCI) device if required by code.

Connect the power cord to a constant source of power matching the pump nameplate voltage.

- The pump should be connected or wired to its own circuit, with no other electric receptacles or equipment in the circuit.

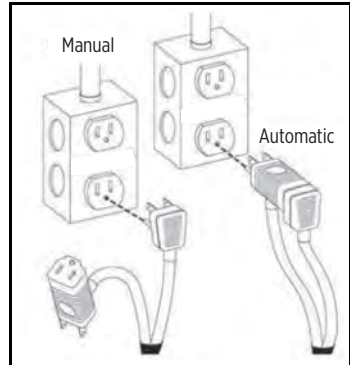
NOTE: Do not connect to a fan or any device that runs intermittently.

- The fuses or circuit breaker should use a 15 A breaker.

IMPORTANT: If the power cord is damaged, the whole unit must be replaced

The 9EC-CIA-RF, 9ECH-CIA-RF and 10ECH-CIA-RF pumps have piggyback plugs on the switch cords.

1. Plug the pump cord into the float switch cord.
2. Plug the float switch cord into the outlet.



OPERATION TESTING

NOTICE

Risk of damage to pump or other equipment.

- If pump is run dry, it may damage pump and will void the warranty.
- Do not let the unit freeze. Freezing may cause cracking or distortion that may destroy the unit.

NOTE: If the unit is going to be idle for a period of time, refer to "[Cleaning Impeller and Volute](#)" on [page 8](#).

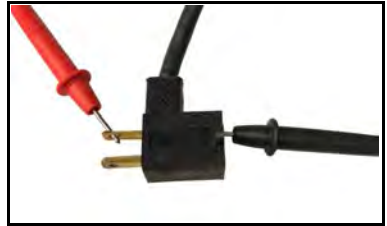
Testing Automatic Pump Operation

The 9EC-CIA-SFS and 10ECH-CIA-SFS automatic pumps are equipped with an integral float-operated mechanical switch which will turn the pump on when water level reaches the levels shown in "[Specifications](#)" on [page 1](#).

The 9EC-CIA-RF, 9ECH-CIA-RF, and 10ECH-CIA-RF pumps have automatic switches with piggyback plugs on the switch cords.

1. Remove the rubber plug on the basin cover in order to observe switch operation.
2. Plug the power cord into a grounded receptacle with voltage indicated on the pump nameplate.
3. Be sure the gate valve in the discharge line is open.
4. Run water into the basin until the pump is activated.

5. Make sure the pump and its float switch are functioning as intended.
 - Confirm that no potential obstructions exist that could inhibit switch operation.
 - Verify the ON/OFF levels are within specification.
6. Confirm that there are no leaks in the pump discharge plumbing and main home drain pipe plumbing. Refer to [“Physical Installation” on page 5](#).
7. Allow the pump to operate through several ON/OFF cycles.
8. Use an ohmmeter to check for continuity between the incoming and outgoing connections of the piggyback plug while raising and lowering the float.



Testing Manual Pump Operation

⚠ CAUTION



Risk of bodily injury, electric shock, or equipment damage.

- Manual, continuous pump operation should be used only for emergencies, or when a large volume of water is to be pumped. The pump must be continuously monitored during operation and disconnected from power before the pump runs dry.
- If an accessory float switch or other liquid level control is installed, refer to manufacturer's instructions. Failure to install control in compliance with national and local electrical and plumbing codes and within manufacturer's recommendations may result in electrical shock or fire hazard, unsatisfactory performance, or equipment failure.

The 9EC-CIM, 9ECH-CIM, and 10ECH-CIM manual pumps do not include an automatic liquid level control.

1. Connect a discharge hose to the pump's discharge port.
2. Place pump into a basin or test reservoir.
3. Direct the opposite end of the discharge hose back into the basin or test reservoir so that the water discharged from the hose during testing will be contained.
4. Secure the hose to prevent the water pressure created during testing from causing it to exit the basin or test reservoir.
5. If there is a valve on the discharge hose, be sure it is open.
6. Using a separate water source, fill the basin or test reservoir until the pump is fully submerged.

NOTE: Do not overfill the basin or test reservoir.

7. Turn on the pump.
 - If the pump is hardwired, turn on the circuit breaker for the pump's power circuit.
 - If the pump is provided with an attachment plug on the power cord, plug the pump's power cord into a ground fault circuit interrupter (GFCI) receptacle with voltage indicated on the pump nameplate.
8. Confirm that the pump is functioning as intended. Refer to [“Physical Installation” on page 5](#).
9. If the pump is functioning as intended, pump is ready for use. Disconnect power from the pump if removing it from a test reservoir.

MAINTENANCE

⚠ WARNING



Risk of severe injury or death by electrical shock, high temperatures, or pressurized fluids.

- Always unplug the pump power cord in addition to removing the fuse or shutting off the circuit breaker before working on the pump or switch.
- Let pump cool for a minimum of 2 hours before attempting to service. Submersible pumps contain oil that becomes pressurized and hot under normal operating conditions.

NOTICE

Risk of damage to pump or other equipment.

- This unit is permanently lubricated. Oiling is not required. Do not open the sealed portion of the unit or remove housing screws.
- Do not remove the motor housing cover, impeller, or seals. Warranty is void if the motor housing cover, impeller, or seals have been removed. Repairs on the motor or impeller require special tools.

Periodic Service

Inspect and test the pump system condition and operation every three months—more frequently in heavy use applications.

1. Check the power cords and electrical outlet for damage or corrosion.

IMPORTANT: If the power cord is damaged, the whole unit must be replaced.

2. Remove all debris (gravel, sand, floating debris, etc.) from the basin.
3. Check the pump system components (basin, pump, switch, etc.) for any build-up (sludge, sediment, minerals, etc.) that would inhibit functionality of the components. If significant, remove build-up or replace affected components.
4. Confirm all flexible coupling hose clamps are fully engaged with plumbing and fully tightened.
5. Test operation of the pump system. Refer to [“Operation Testing” on page 6](#).

Cleaning Impeller and Volute

1. Disconnect power to the pump.
2. Remove the five bolts that hold the volute to the motor housing.
3. Separate the volute from the motor housing.

IMPORTANT: Do not remove the motor housing bolts or screws.

4. Clean the impeller and the volute passage.

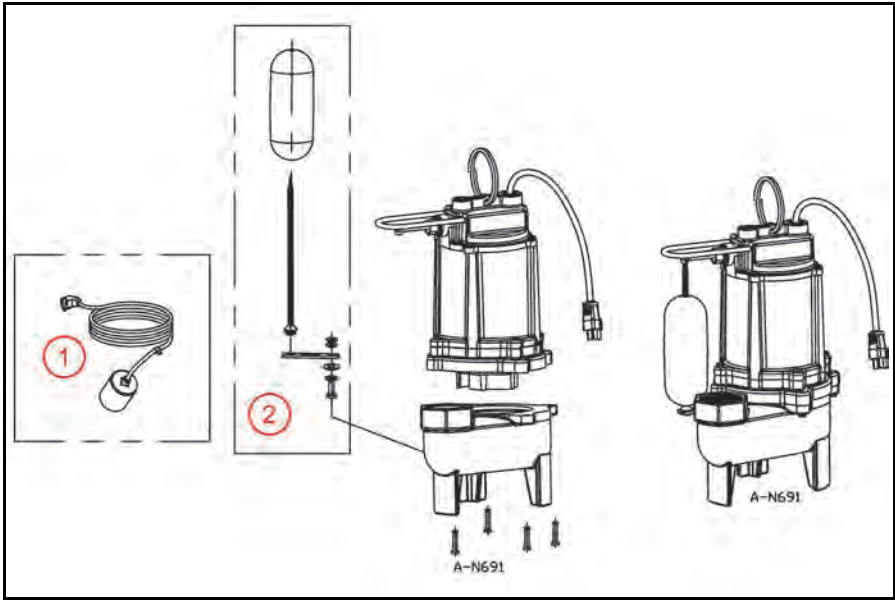
IMPORTANT: Do not use strong solvents on the impeller. Do not remove the impeller.

5. Be sure the impeller turns freely.
6. Reattach the volute to the motor housing, securing it with the four bolts.

Troubleshooting

Problem	Probable Causes	Corrective Action
Pump does not turn on	Pump not plugged in	Plug in pump.
	Circuit breaker off or fuse removed	Turn on circuit breaker or replace fuse.
	Accumulation of trash on float	Clean float.
	Float obstruction	Check float path and provide clearance.
	Defective switch	Models with piggyback switches: replace switch. Models with integral switches: replace pump.
	Defective motor	Replace pump.
Pump will not shut off	Float or float rod obstruction	Check float and float rod path and provide clearance.
	Pump is air locked.	Remove pump and clean air bleed hole.
	Liquid inflow matches pump capacity.	Larger pump required.
	Defective switch	Models with piggyback switches: replace switch. Models with integral switches: replace pump.
Pump runs but does not discharge liquid	Check valve installed backwards	Check flow indicating arrow on check valve body to ensure proper installation.
	Check valve stuck or plugged	Remove check valve and inspect for proper operation.
	Lift too high for pump	Check rated pump performance.
	Inlet to impeller plugged	Pull pump and clean.
	Pump is air locked.	Remove pump and clean air bleed hole.
Pump does not deliver rated capacity	Lift too high for pump	Check rated pump performance.
	Low voltage, speed too slow	Check that supply voltage matches the nameplate rating.
	Impeller or discharge pipe is clogged	Pull pump and clean. Check pipe for scale or corrosion.
	Impeller wear due to abrasives	Replace pump.
Pump cycles continuously	No check valve in long discharge pipe allowing liquid to drain back into basin	Install a check valve in discharge line.
	Check valve leaking	Inspect check valve for correct operation.
	Basin too small for inflow	Install larger basin.
Water sprays out of a hole in the discharge pipe.	There should be a bleed hole in the discharge pipe that allows trapped air to escape from the pump, preventing air lock. Water spraying out of this hole is completely normal.	No corrective action is required.

Replacement Parts



Item	Description	Part Number
1	RF Series Piggyback Float Switch 115 V, 20 FT Cord	599210
	RF Series Piggyback Float Switch 115 V, 30 FT Cord	599121
	RF Series Piggyback Float Switch 230 V, 20 FT Cord	599209
2	SFS Series Float Assembly	599139



For technical assistance, parts, or repair, please contact:

800.701.7894 | littlegiant.com

998781 Rev. 002 10/22

LittleGIANT®

Franklin Electric Co., Inc. | Oklahoma City, OK 73157-2010

Copyright © 2022, Franklin Electric, Co., Inc. All rights reserved.

SERIE 9EC/9ECH Y 10ECH

Esta bomba sumergible está diseñada para su uso en cuencas o estaciones de bombeo y es adecuada para bombear agua limpia o aguas residuales de color gris con semisólidos esféricos de hasta 3/4 pulgada (19 mm). No use la bomba en aplicaciones donde haya aguas residuales u otros desechos (grava, arena, desechos flotantes, etc.), abrasivos o corrosivos.

El motor de la bomba está equipado con un protector térmico de reinicio automático y puede reiniciarse de manera inesperada. La activación del protector térmico indica que el motor está sobrecargado o sobrecalentado, lo cual puede deberse a problemas de la aplicación, como un impulsor obstruido de la bomba, un interruptor atascado en la posición de encendido, una marcha en seco de la bomba, una bomba obturada por aire, un ciclo corto de la bomba, una alimentación de voltaje excesivamente alta o baja, o bien una bomba, motor, cojinetes o sello que tal vez hayan llegado al final de su vida útil.

Este producto está cubierto por una garantía limitada por un período de 3 años desde la fecha original de compra por parte del consumidor. Para obtener información completa sobre la garantía, visite www.littlegiant.com.



Especificaciones

Modelo	HP	Voltaje	Hz	Amperios		Vatios	Temperatura máxima del agua
				FLA	Arrancar		
9EC	4/10	115	60	7.5	14.5	800	60 °C (140 °F)
		208-230	50/60	4.0/4.0	10.0/10.0	820/900	
9ECH		115	60	7	14.5	830	
10ECH	1/2	115	60	9	22	1030	

Modelo	Litros (Galones) por minuto, a altura					Apagado	
	1.5 m (5 pi)	3 m (10 pi)	6.1 m (20 pi)	9.1 m (30 pi)	12.2 m (40 pi)	Metros (Pies)	Bar (PSI)
9EC	265 (70)	238 (63)	170 (45)	83 (22)	-	11.3 (37)	1.1 (16.0)
9ECH	265 (70)	246 (65)	189 (50)	114 (30)	34 (9)	13.7 (45)	1.3 (19.5)
10ECH	227 (60)	208 (55)	170 (45)	114 (30)	57 (15)	18.3 (60)	1.8 (26)

INSTRUCCIONES SOBRE SEGURIDAD

Especificaciones

Modelo	Tipo flotante	Nivel ON	Nivel OFF
9EC-CIA-SFS	Flotador integral de acción rápida	18 - 25 cm (7 - 10 pulg.)	5 - 13 cm (2 - 5 pulg.)
9EC-CIA-RF	Flotador mecánico piggyback	30 - 38 cm (12 - 15 pulg.)	15 - 23 cm (6 - 9 pulg.)
9ECH-CIA-RF			
10ECH-CIA-SFS	Flotador integral de acción rápida	20 - 28 cm (8 - 11 pulg.)	8 - 15 cm (3 - 6 pulg.)
10ECH-CIA-RF	Flotador mecánico piggyback	33 - 41 cm (13 - 16 pulg.)	18 - 25 cm (7 - 10 pulg.)

INSTRUCCIONES SOBRE SEGURIDAD

La instalación y el mantenimiento de este equipo deben estar a cargo de personal con capacitación técnica que esté familiarizado con la correcta elección y uso de las herramientas, equipos y procedimientos adecuados. El hecho de no cumplir con los códigos eléctricos y de plomería nacionales y locales y con las recomendaciones de Little Giant puede provocar peligros de descarga eléctrica o incendio, desempeños insatisfactorios o fallas del equipo.

Lea y siga las instrucciones cuidadosamente para evitar lesiones y daños a los bienes. No desarme ni repare la unidad salvo que esté descrito en este manual.

Consulte las placas de características del producto para obtener instrucciones de operación, precauciones y especificaciones adicionales.

El hecho de no seguir los procedimientos de instalación o funcionamiento y todos los códigos aplicables puede ocasionar los siguientes peligros:

PELIGRO



Riesgo de muerte, lesiones personales o daños materiales por explosión, incendio o descarga eléctrica.

- No usar para bombear líquidos inflamables, combustibles o explosivos como gasolina, fueloil, kerosene, etc.
- No usar en atmósferas explosivas ni lugares peligrosos según la clasificación de la NEC, ANSI/NFPA70.
- No manipule la bomba ni el motor de la bomba con las manos mojadas o parado sobre una superficie mojada o húmeda o en agua.
- Cuando haya una bomba en su aplicación, no toque el motor, las tuberías ni el agua sino hasta haber desenchufado o eléctricamente desconectado la unidad.
- Si la desconexión de alimentación está fuera del sitio, bloquéela en la posición abierta y etiquétela para evitar una conexión inesperada de la alimentación.
- Si no se tuviera acceso al panel de desconexión, comuníquese con la compañía eléctrica para interrumpir el servicio.

⚠ ADVERTENCIA



Esta unidad tiene voltajes elevados que son capaces de provocar lesiones graves o muerte por descarga eléctrica.

- Para reducir el riesgo de descarga eléctrica, desconecte la energía antes de trabajar en el sistema o cerca de él. Es posible que sea necesario más de un interruptor de desconexión para cortar la energía del equipo antes de realizarle un mantenimiento.
- Este producto viene con un conductor a tierra y un enchufe con conexión a tierra. Para reducir el riesgo de descarga eléctrica, asegúrese que se conecte solo a un receptáculo del tipo con conexión a tierra que esté conectado apropiadamente a tierra. La tercer punta es para conectar la bomba a tierra con el fin de evitar posibles peligros de descarga eléctrica. No retire la tercera punta del enchufe. No use un cable de extensión.
- Revise los tomacorrientes con un analizador de circuito para garantizar que los cables de alimentación, neutro y a tierra estén conectados correctamente. De lo contrario, un electricista calificado y autorizado deberá rectificar el problema.
- Cablee el sistema de bombeo para los voltajes correctos.
- El conjunto de cables recubiertos flexibles montado a la bomba no se debe modificar en modo alguno, salvo para acortar el cable para adecuarlo al interior del panel de control. Todos los empalmes entre la bomba y el panel de control deben realizarse dentro de una caja de conexiones montada fuera de la cuenca y deben cumplir con el Código Eléctrico Nacional. Emplee un electricista autorizado.
- Compruebe los códigos eléctricos y de construcción locales antes de la instalación. La instalación y la ventilación deben estar de acuerdo con sus regulaciones, así como el National Electrical Code (NEC) más reciente y la ley de Seguridad y Salud Ocupacionales (OSHA).
- No quite la tercera clavija del enchufe, ni corte el enchufe separándolo del cable. Esto anulará la garantía.

⚠ PRECAUCIÓN



Riesgo de lesiones corporales, descargas eléctricas o daños al equipo.

- Este equipo no deben usarlo niños ni personas con capacidades físicas, sensoriales o mentales reducidas, ni aquellos que carezcan de experiencia y capacitación, salvo que estén bajo supervisión o instrucción. Los niños no podrán usar el equipo ni jugar con la unidad o en las cercanías inmediatas.
- El equipo puede encenderse en forma automática. Siempre desenchufe el cable eléctrico de la bomba y desconecte la alimentación eléctrica antes de realizar el mantenimiento de la bomba o del interruptor.
- Una bomba que no funciona o funciona mal podría provocar una inundación y provocar lesiones personales o daños materiales. Use con control de nivel de líquido aprobado con la clasificación correcta que coincida con la entrada marcada del motor en amperios de carga completa o amperes de factor de servicio.
- En aplicaciones donde una bomba no operativa o con fugas podría producir daños materiales o lesiones personales debido a interrupciones en el suministro eléctrico, obstrucciones en la línea de descarga u otros motivos, se debe instalar un sistema de respaldo automático y/o una alarma.
- No haga funcionar vacía la bomba. Si la hace funcionar vacía, la temperatura de la superficie de la bomba aumentará al punto que podría provocar quemaduras si se la toca y le causará serios daños a su bomba.
- No aplique aceite a el motor. Esta unidad es permanentemente lubricada. El engrase no es requerido. El alojamiento de motor de la bomba es sellado. No abra la porción sellada de la unidad o quite tornillos de alojamiento. La apertura del alojamiento de motor podría causar la sacudida eléctrica seria y/o el daño permanente a la bomba.
- Esta bomba solo ha sido evaluada para usar con agua. La bomba solo se debe usar con líquidos compatibles con los materiales componentes de la bomba. Si la bomba se usa con líquidos incompatibles con sus componentes, el líquido puede causar fallos en el sistema de aislamiento eléctrico y producir un choque eléctrico.
- La operación de este equipo exige instrucciones detalladas para su instalación y operación que se encuentran en este manual para su uso con este producto. Lea la totalidad del manual antes de comenzar la instalación y la operación. El usuario final debe recibir y conservar el manual para usos futuros.
- Mantenga las etiquetas de seguridad limpias y en buenas condiciones.
- No use el motor en zonas de natación.

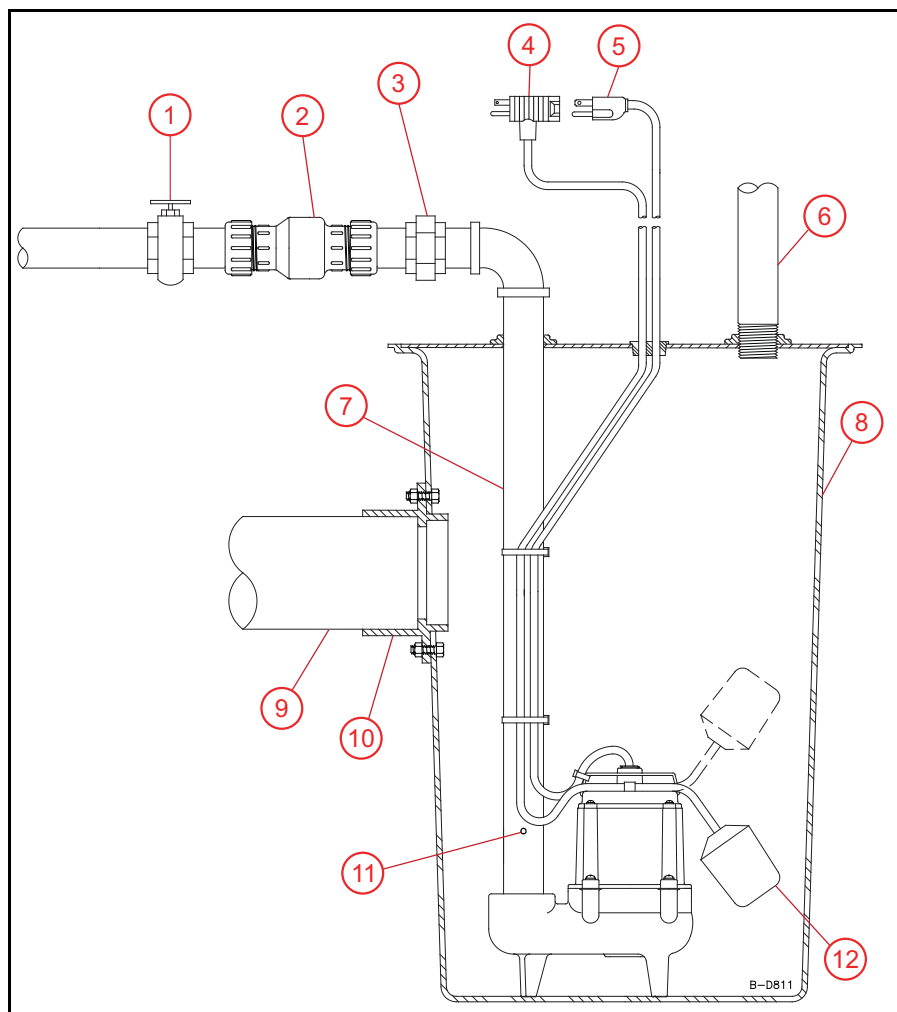
AVISO

Riesgo de daños a bomba u otros equipos.

- No use esta bomba para bombear agua de mar, bebidas, ácidos, soluciones químicas u otros líquidos que provoquen corrosión, ya que eso puede dañar la bomba.
- No haga funcionar vacía la bomba. Para una refrigeración óptima y prolongar la vida útil del motor, el nivel de líquido que se bombea debería estar comúnmente por encima de la parte superior de la carcasa de la bomba.
- Esta bomba no es apta para aplicaciones en estanques.

INSTALACIÓN

Instalación típica



- | | | | |
|-------------------------|--|-------------------------------------|--|
| 1. Válvula de compuerta | 4. Interruptor de flotador enchufe de alimentación | 7. Descarga | 10. Cubo de calefacción |
| 2. Válvula de chequeo | 5. Enchufe de alimentación de la bomba | 8. Depósito impermeable a los gases | 11. Orificio de purga de aire |
| 3. Unión | 6. Ventilación | 9. Toma | 12. El flotador adjunto (Consulte "Especificaciones" en la página 11.) |

Instalación física

AVISO

Riesgo de daños materiales por inundaciones.

- Sostenga la bomba y la tubería durante el ensamblaje y cuando estén instaladas. Si esto no se realiza, la tubería se puede romper, la bomba puede tener fallas, los cojinetes del motor pueden tener fallas, etc.
- A menos que se proporcione el orificio de alivio en la tubería de descarga, la bomba podría “bloquear el aire” y no bombeará agua, aunque sí funcionará.
- Una válvula de retención faltante, mal instalada o que funcione mal puede provocar que la bomba realice ciclos cortos debido al reflujo del fluido bombeado desde la tubería de descarga hacia la cuenca, lo que acortará significativamente la vida útil de la bomba.

NOTA: Para probar la operación del sistema de bomba, consulte [“Prueba de operación” en la página 16.](#)

1. Instale la bomba en una cuenca adecuada y hermética al gas que tenga al menos 1.5 pies de diámetro y 2 pies de profundidad.
 - Plazca la bomba lo más cerca posible de la fuente de agua para minimizar la longitud de las tuberías de succión.
 - Proporcione espacio adecuado para el mantenimiento futuro, protección contra temperaturas de congelación e inundaciones y drenaje de equipos.
 - Nunca coloque la bomba directamente sobre arcilla, tierra o superficies de grava.
 - Asegúrese que la letrina esté limpia y sin clavos, grava, hilos, telas, ropas, desperdicios, etc. antes de instalarla.

IMPORTANTE: No intente restringir el lateral de acceso de estas bombas.

2. Conecte la tubería de descarga. Use compuesto para juntas de tuberías en todas las conexiones.
 - Estas bombas están disponibles con descarga de rosca hembra de 1.5 pulgadas FNPT.
 - La tubería de descarga debe ser lo más corta posible y contener la menor cantidad de codos posible.
 - La tubería debe tener el mismo diámetro que el tamaño de descarga.
 - Si requiere de velocidades de flujo reducidas, coloque una válvula en el lateral de descarga de la bomba.
 - Si se usan tuberías flexibles de vinilo, se puede usar una abrazadera en las tuberías para restringir el flujo.
3. Instale una unión en la línea de descarga, justo por encima de la cubierta del recipiente.
4. Instale una válvula de retención de flujo libre en la línea de descarga que pase fácilmente sólidos de 3/4 pulgadas.
 - Instálela en posición horizontal o en un ángulo de no más de 45 °.
5. Fije los cables de la bomba y del interruptor a la tubería de descarga utilizando cinta aislante.
6. Agregue un orificio de purga de alivio de aire (1/8 o 3/16 en diámetro) a la tubería de descarga de la bomba. Consulte [“Instalación típica” en la página 14.](#)
 - Taladre este orificio en un ángulo de 45 ° por debajo del plano horizontal y lejos de la bomba.
7. Confirme que la bomba está funcionando según lo previsto.

NOTA: Es normal que una corriente de agua rocíe desde el orificio de purga de aire en la tubería de la bomba. Confirme que este aerosol es capturado dentro de la cuenca.

8. Coloque una cubierta sobre el recipiente.

Conexiones eléctricas

⚠ WARNING



Esta unidad tiene voltajes elevados que son capaces de provocar lesiones graves o muerte por descarga eléctrica.

- Cértese de que esta bomba esté conectada a un circuito equipado con un dispositivo interruptor de circuito de fallos de conexión a tierra si es requerido por el reglamento electrotécnico.
- Cuando haya agua presente en la zona, siempre desconecte la alimentación eléctrica antes de tocar la bomba, la descarga o el enchufe eléctrico.
- No use el cable eléctrico para levantar la bomba.

Conecte el cable de alimentación a una fuente constante de energía que coincida con el voltaje en la placa de identificación de la bomba.

- La bomba se debe conectar o cablear en su propio circuito sin otras salidas o equipos en la línea de circuito.

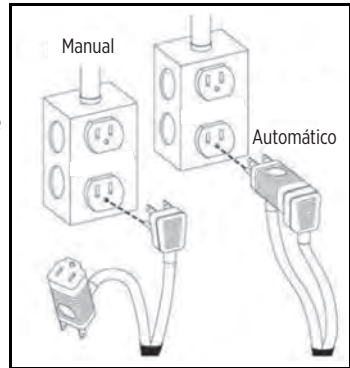
NOTA: No lo conecte a un ventilador ni a un dispositivo que funcione de manera intermitente.

- Los fusibles y el disyuntor deben usar un interruptor de 15 A.

IMPORTANTE: Si el cable de alimentación está dañado, se debe reemplazar la unidad en su totalidad.

Las bombas 9EC-CIA-RF, 9ECH-CIA-RF y 10ECH-CIA-RF tienen enchufes piggyback en los cables del interruptor.

1. Enchufe el cable de la bomba en el cable del interruptor de flotador.
2. Enchufe el cable del interruptor de flotador en el tomacorriente.



PRUEBA DE OPERACIÓN

AVISO

Riesgo de daños a bomba u otros equipos.

- Si hace funcionar vacía la bomba, puede dañarla y anular la garantía.
- No deje que la unidad se congele. La congelación puede causar agrietamiento o distorsión que puede destruir la unidad.

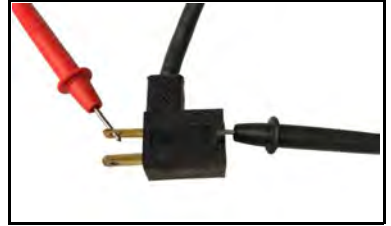
NOTA: Si la unidad estará inactiva por un tiempo, consulte [“Limpiar el impulsor y la voluta” en la página 19.](#)

Testing Automatic Pump Operation

Las bombas modelos 9EC-CIA-SFS y 10ECH-CIA-SFS automáticas son equipadas con una integral interruptor mecánico hecho funcionar por flotador que encenderá la bomba cuando el nivel de echar agua alcanza los niveles mostrados en [“Especificaciones” en la página 11.](#)

Las bombas modelos 9EC-CIA-SFS, 9ECH-CIA-SFS, y 10ECH-CIA-SFS tienen interruptores automáticos con enchufes de piggyback en las cuerdas de interruptor.

1. Retire el tapón de goma de la cubierta del recipiente para observar el funcionamiento del interruptor.
2. Conecte la bomba a un suministro de energía adecuado que tenga un voltaje se indica en la placa de identificación de la bomba.
3. Verifique que la válvula de compuerta esté abierta.
4. Deje correr el agua hacia el recipiente hasta que la bomba se active.
5. Confirme que la bomba y su interruptor de control estén funcionando correctamente.
 - Confirme que los niveles de ENCENDIDO/APAGADO estén dentro de las especificaciones
 - Confirme que no haya obstrucciones posibles que pudieran impedir el funcionamiento del interruptor.
6. Confirme que no haya fugas en las tuberías de descarga de la bomba ni en las tuberías de drenaje principales del hogar. Consulte ["Instalación física" en la página 15](#).
7. Deje que la bomba funcione a través de múltiples ciclos de ENCENDIDO/APAGADO.
8. Utilice un ohmímetro para comprobar la continuidad entre las conexiones de entrada y de salida del enchufe piggyback mientras hace subir y bajar el flotador.



Pruebas de funcionamiento de una bomba manual

⚠ PRECAUCIÓN



Riesgo de lesiones corporales, descargas eléctricas o daños al equipo.

- La operación manual y continua de la bomba se debe utilizar solo en caso de emergencia o cuando haya que bombear un gran volumen de agua. La bomba se debe monitorear permanentemente durante la operación y se debe desconectar de la alimentación antes de que funcione en vacío.
- Si se instala un interruptor flotante accesorio u otro tipo de control de nivel del líquido, consulte las instrucciones del fabricante. El hecho de no instalar el dispositivo de control conforme a los códigos eléctricos y de tuberías tanto nacionales como locales y dentro de las recomendaciones del fabricante puede provocar peligros de descarga eléctrica o incendio, desempeños insatisfactorios o fallas del equipo.

The 9EC-CIM, 9ECH-CIM, y 10ECH-CIM manual pumps do not include an automatic liquid level control.

1. Conecte una manguera de descarga al orificio de descarga de la bomba.
2. Coloque la bomba en una cubeta o depósito de prueba.
3. Dirija el extremo opuesto de la manguera de descarga a la cubeta o depósito de prueba de manera que el agua descargada de la manguera durante las pruebas se contenga.
4. Asegure la manguera para evitar que la presión de agua creada durante las pruebas cause que la manguera salga de la cubeta o del depósito de prueba.
5. Si hay una válvula en la manguera de descarga, asegúrese de que la válvula esté abierta.
6. Utilizando una fuente de agua separada, llene la cubeta o el depósito de prueba hasta que la bomba esté completamente sumergida.

NOTA: No sobrellene la cubeta ni el depósito de prueba.

MANTENIMIENTO

Servicio periódico

- Encienda la bomba.
 - Si la bomba viene con un enchufe de seguridad en el cable de alimentación, enchufe el cable de alimentación de la bomba a un receptáculo con un interruptor de circuito por falla de conexión a tierra (GFCI, por si sigla en inglés) que tenga un voltaje que se indica en la placa de identificación de la bomba.
 - Si la bomba tiene una conexión permanente, encienda el disyuntor del circuito de alimentación de la bomba.
- Confirme que la bomba esté funcionando según lo previsto. Consulte [“Instalación física” en la página 15](#).
- Si la bomba funciona como está previsto, desconecte la alimentación desde la bomba antes de tratar de retirarla de la cuenca o el depósito de prueba.

MANTENIMIENTO

▲ ADVERTENCIA



Riesgo de lesiones graves o muerte por descarga eléctrica, temperaturas elevadas o líquidos presurizados.

- Siempre desenchufe el cable eléctrico de la bomba y desconecte la alimentación eléctrica antes de realizar el mantenimiento de la bomba o del interruptor.
- Deje que la bomba se enfríe al menos 2 horas antes de intentar realizarle mantenimiento. Las bombas sumergibles contienen aceite que se presuriza y calienta en condiciones de operación normales.

AVISO

Riesgo de daños a bomba u otros equipos.

- Esta unidad está lubricada permanentemente. No requiere que se le cargue aceite. No abra la sección sellada de la unidad ni quite los tornillos de la carcasa.
- No quite la cubierta de la carcasa del motor, el impulsor o los sellos. La garantía quedará anulada si se han quitado la cubierta de la carcasa del motor, el impulsor o los sellos. Las reparaciones al motor o el impulsor requieren herramientas especiales.

Servicio periódico

Inspeccione y pruebe el estado y el funcionamiento del sistema de la bomba cada 3 meses (con más frecuencia en aplicaciones de uso intensivo).

- Verifique que no haya daños o corrosión en los cables de alimentación y en la salida eléctrica.

IMPORTANTE: Si el cable de alimentación está dañado, se debe reemplazar la unidad en su totalidad.
- Retire todos los desechos (grava, arena, escombros flotantes, etc.) de la cuenca.
- Revise los componentes del sistema de la bomba (recipiente, bomba, interruptor, etc.) para detectar acumulaciones (lodo, sedimentos, minerales, etc.) que podrían impedir la funcionalidad de los componentes. Si es necesario, retire la acumulación o reemplace los componentes afectados.
- Confirme que todas las abrazaderas flexibles de la manguera de acoplamiento estén completamente enroscadas con la tubería y firmemente ajustadas.
- Pruebe la operación del sistema de la bomba. Consulte [“Prueba de operación” en la página 16](#).

Limpiar el impulsor y la voluta

1. Desconecte la alimentación de la bomba.
2. Retire los cinco pernos y cuatro arandelas que fijan la voluta a la carcasa del motor.
3. Separe la voluta de la carcasa del motor.

IMPORTANTE: No retire la cubierta de la carcasa del motor.

4. Limpie el impulsor y el pasaje de la voluta.

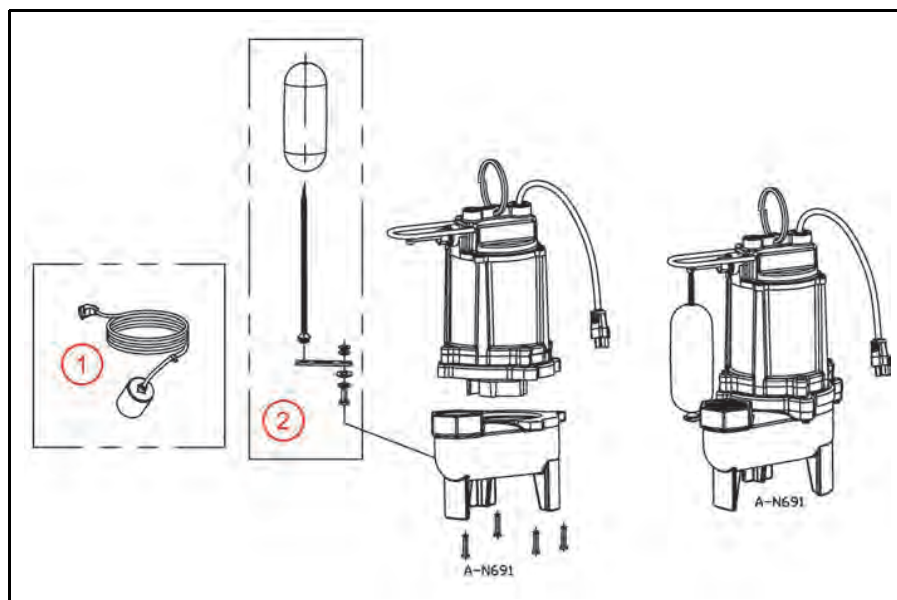
IMPORTANTE: No use solventes fuertes en el impulsor. No quite el impulsor.

5. Asegúrese de que el impulsor gire libremente.
6. Fije la voluta a la carcasa del motor y fijela con los cuatro pernos y cuatro arandelas.

Solución de problemas

Problema	Causas probables	Acción correctiva
La bomba no se enciende	La bomba no está conectada al suministro eléctrico.	Conecte la bomba a un circuito dedicado que esté equipado con GFCI.
	Disyuntor apagado o sin fusible.	Encienda el disyuntor o reemplace el fusible.
	Acumulación de basura o residuos sobre el flotante.	Limpie el flotante.
	Obstrucción del flotante.	Revise el recorrido del flotante y deje espacio libre.
	Interruptor defectuoso.	Flotador mecánico piggyback: Reemplace el interruptor. Flotador integral de acción rápida: Reemplace la bomba.
	Motor defectuoso.	Reemplace la bomba.
La bomba no se apaga	Obstrucción del flotante.	Revise el recorrido del flotante y deje espacio libre.
	La bomba está obturada por aire.	Si está obstruido, quite la obstrucción del orificio de ventilación.
	El flujo de entrada de líquido coincide con la capacidad de la bomba.	Se requiere una bomba más grande.
	Interruptor defectuoso.	Flotador mecánico piggyback: Reemplace el interruptor. Flotador integral de acción rápida: Reemplace la bomba.
La bomba funciona pero no descarga líquido	Válvula de retención instalada al revés.	Revise en el cuerpo de la válvula de retención la flecha que indica la dirección de flujo para garantizar que la instalación sea correcta.
	Válvula de retención atascada u obstruida.	Quite la válvula de retención y revísela para comprobar que funcione bien.
	Elevación demasiado alta para la bomba.	Revise el desempeño nominal de la bomba.
	Entrada al impulsor obstruido.	Quite la bomba y límpiela.
	La bomba está obturada por aire.	Si está obstruido, quite la obstrucción del orificio de ventilación.
La bomba no cumple con la capacidad nominal	Elevación demasiado alta para la bomba.	Revise el desempeño nominal de la bomba.
	Bajo voltaje, velocidad demasiado lenta.	Compruebe que el voltaje suministrado coincida con la capacidad nominal en la placa de identificación.
	El impulsor o la tubería de descarga están obstruidos.	Quite la bomba y límpiela. Revise si la tubería tiene sarro o señales de corrosión.
	Desgaste del impulsor debido a abrasivos.	Reemplace la bomba.
Ciclos de bomba continuamente	Ausencia de válvula de retención en una tubería de descarga larga, lo que permite que el líquido vuelva a drenar hacia la cuenca.	Instale una válvula de retención en la línea de descarga.
	Desgaste del impulsor causado por abrasivos.	Inspeccione que la válvula de retención funcione correctamente.
	La cuenca es demasiado pequeña para el flujo de entrada.	Instale una cuenca más grande.
Sale agua de un orificio en la base de la unidad.	Esta bomba viene con un orificio de purga que permite la salida del agua atrapada de la bomba, lo que evita que quede obstruida por aire. La salida de agua por este orificio es completamente normal.	No se requiere ninguna acción correctiva.

Piezas de repuesto



Artículo (s)	Descripción	Número de pieza
1	RF Flotante Remoto 115 V, Cable de alimentación de 20 pies	599210
	RF Flotante Remoto 115 V, Cable de alimentación de 30 pies	599121
	RF Flotante Remoto 230 V, Cable de alimentación de 20 pies	599209
2	SFS Flotante de Acción Rápida	599139



Para la ayuda técnica, por favor póngase en contacto:

800.701.7894 | littlegiant.com

998781 Rev. 002 10/22

Little GIANT®

Franklin Electric Co., Inc. | Oklahoma City, OK 73157-2010

Copyright © 2022, Franklin Electric Co., Inc. Todos los derechos están reservados.

SÉRIE 9EC/9ECH ET 10ECH

Cette pompe submersible est conçue à l'utilisation dans les cuvettes ou les stations fonctionnantes et est convenable pour pomper de l'eau propre ou de l'effluent l'eau grise avec jusqu'au pouce 3/4 semi-solids sphérique (de 19 millimètres). N'utilisez pas la pompe dans les applications où les eaux d'égouts ou autres débris (le gravier, le sable, en lançant des débris, etc.), des abrasifs, ou des corrosifs sont présents.

Le moteur de la pompe est doté d'un disjoncteur thermique à réenclenchement automatique et peut redémarrer inopinément. Le déclenchement du disjoncteur thermique indique une surcharge ou une surchauffe du moteur, qui peut être causée par des problèmes d'application comme l'obstruction d'une roue de la pompe, le blocage de l'interrupteur en position ON, le fonctionnement à sec de la pompe, le blocage de la pompe par de l'air, le fonctionnement de la pompe en cycles courts, une tension d'alimentation trop élevée ou trop basse, ou, éventuellement, une pompe, un moteur, des roulements ou un joint ayant atteint la fin de sa/leur vie utile.

Ce produit est couvert par une garantie limitée pour une période de 3 ans à compter de la date d'achat originale par le consommateur. Pour obtenir des informations complètes sur la garantie www.littlegiant.com.



Spécifications

Modèle	ch	Tension	Hz	Ampères		Watts	Température maximum d'eau
				FLA	Commencer		
9EC	4/10	115	60	7,5	14,5	800	60 °C (140 °F)
		208-230	50/60	4,0/4,0	10,0/10,0	820/900	
9ECH		115	60	7	14,5	830	
10ECH	1/2	115	60	9	22	1030	

Modèle	Litres (Gallons) par minute, en hauteur					Éteindre	
	1,5 m (5 pi)	3 m (10 pi)	6,1 m (20 pi)	9,1 m (30 pi)	12,2 m (40 pi)	Mètres (Pieds)	Bar (PSI)
9EC	265 (70)	238 (63)	170 (45)	83 (22)	-	11,3 (37)	1,1 (16,0)
9ECH	265 (70)	246 (65)	189 (50)	114 (30)	34 (9)	13,7 (45)	1,3 (19,5)
10ECH	227 (60)	208 (55)	170 (45)	114 (30)	57 (15)	18,3 (60)	1,8 (26)

CONSIGNES DE SÉCURITÉ

Spécifications

Modèle	Type de interrupteur	SUR le niveau	ARRÊTEZ le niveau
9EC-CIA-SFS	Flotteur d'action intégrale	18 - 25 cm (7 - 10 po)	5 - 13 cm (2 - 5 po)
9EC-CIA-RF	Piggyback flotteur mécanique	30 - 38 cm (12 - 15 po)	15 - 23 cm (6 - 9 po)
9ECH-CIA-RF			
10ECH-CIA-SFS	Flotteur d'action intégrale	20 - 28 cm (8 - 11 po)	8 - 15 cm (3 - 6 po)
10ECH-CIA-RF	Piggyback flotteur mécanique	33 - 41 cm (13 - 16 po)	18 - 25 cm (7 - 10 po)

CONSIGNES DE SÉCURITÉ

Cet équipement doit être installé et entretenu par des techniciens qualifiés capables de choisir et d'utiliser les outils, les équipements et les procédures appropriés. Le non-respect des codes électriques et codes de plomberie local et national et des recommandations de Little Giant pourrait mener à une électrocution ou un incendie, une mauvaise performance ou une défaillance de l'équipement.

Lisez et suivez attentivement les instructions pour éviter toute blessure ou tout dommage matériel. Ne démontez pas et ne réparez pas l'appareil si ces opérations ne sont pas décrites dans le présent manuel.

Consultez les plaques signalétiques du produit pour les précautions, les instructions d'utilisation et les spécifications supplémentaires.

Le non-respect des procédures d'installation ou d'utilisation et de tous les codes en vigueur peut entraîner les risques suivants:

DANGER



Risque de mort, de blessure corporelle ou de dommage matériel en raison d'une explosion, d'un incendie ou d'une électrocution.

- Ne pas utiliser pour pomper des liquides inflammables, combustibles ou explosifs comme l'essence, le mazout, le kérosène, etc.
- Ne pas utiliser dans une atmosphère explosive ou un emplacement dangereux selon le Code national de l'électricité, ANSI/NFPA70.
- Ne pas manipuler une pompe ou un moteur de pompe avec les mains mouillées ou debout sur une surface humide ou mouillée, ou dans de l'eau.
- Lorsqu'une pompe est en mode de fonctionnement, ne pas toucher le moteur, les tuyaux ou l'eau tant que l'unité n'a pas été débranchée ou déconnectée électriquement.
- Si le dispositif de coupure du circuit d'alimentation se situe hors site, le verrouiller en position ouverte et le consigner afin d'empêcher toute mise sous tension inopinée.
- Si le panneau du disjoncteur n'est pas accessible, contacter la compagnie d'électricité afin que le courant soit coupé.

⚠ AVERTISSEMENT



Cet appareil contient des tensions élevées susceptibles d'entraîner par choc électrique des blessures graves ou la mort.

- Pour réduire le risque de choc électrique, débranchez l'alimentation avant de travailler sur le système ou autour de celui-ci. Plusieurs interrupteurs d'isolement peuvent être nécessaires pour décharger l'équipement avant de procéder à son entretien.
- Ce produit est fourni avec un conducteur de mise à la terre et une fiche munie d'une attache de mise à la terre. Pour réduire le risque de décharge électrique, assurez-vous de seulement brancher la pompe à une prise électrique correctement mise à la terre. Ne retirez pas la troisième branche de la fiche. La troisième branche sert à la mise à la terre de la pompe, afin de prévenir tout risque possible de décharge électrique. N'utilisez pas un cordon de rallonge.
- Vérifier les prises électriques à l'aide d'un analyseur de circuit pour s'assurer que les fils de phase, de neutre et de terre sont correctement branchés. Si ce n'est pas le cas, le problème doit être corrigé par un électricien qualifié agréé.
- Raccorder le système de pompe en respectant la tension indiquée.
- Le cordon flexible enveloppé monté sur la pompe ne peut être modifié d'aucune manière que ce soit. Il peut uniquement être raccourci si cela est nécessaire pour le faire rentrer dans le panneau de commande. Toute épissure entre la pompe et le panneau de commande doit être réalisée dans une boîte de jonction montée à l'extérieur du bassin, en conformité avec le code national de l'électricité. Faire appel à un électricien agréé.
- Vérifiez les codes locaux d'électricité et de bâtiment avant l'installation. L'installation et la ventilation doivent être conformes à la réglementation ainsi qu'au NEC (Code américain de l'électricité) le plus récents et l'OSHA (loi sur la santé et la sécurité au travail des États-Unis).
- Ne pas retirer la troisième broche de la fiche d'alimentation électrique ni couper la fiche du cordon. Ces actions annuleront la garantie.

⚠ ATTENTION



Risque de blessure, de choc électrique ou de dégâts matériels.

- Cet équipement ne doit pas être utilisé par des enfants ou des personnes aux capacités physiques, sensorielles ou cognitives réduites, ou par des personnes n'ayant pas l'expérience ou l'expertise appropriée, sauf si ces personnes sont supervisées ou ont reçu des instructions à cet effet. Les enfants ne doivent pas utiliser l'équipement ni jouer avec l'appareil ou dans sa proximité immédiate.
- L'équipement peut démarrer automatiquement. Effectuer les procédures de verrouillage/étiquetage avant d'entretenir l'équipement.
- Une pompe inopérante ou défectueuse pourrait entraîner une inondation, des blessures corporelles ou des dommages matériels. Utilisez avec un contrôle de niveau de liquide approuvé avec une valeur nominale correcte qui correspond à l'entrée du moteur marquée en ampères à pleine charge ou en ampères avec facteur de service.
- Dans les applications où des dommages matériels et/ou des blessures corporelles pourraient découler du non-fonctionnement ou d'une fuite de la pompe en raison de pannes de courant, d'une obstruction de la ligne d'évacuation ou de toute autre raison, un système de sauvegarde automatique et/ou une alarme doivent être installés.
- Ne pas faire fonctionner la pompe à sec. En cas de fonctionnement à sec, la température à la surface de la pompe augmentera à un niveau susceptible de causer des brûlures cutanées en cas de contact et entraînera de graves dommages à votre pompe.
- Ne pas graisser le moteur. Le carter moteur de la pompe est scellé et renferme une huile diélectrique de qualité supérieure pour la transmission de chaleur et la lubrification à vie. L'utilisation d'autres huiles peut causer de graves électrocutions et/ou des dommages permanents de la pompe.
- Cette pompe a été testée pour une utilisation avec de l'eau uniquement. La pompe ne doit être utilisée qu'avec des liquides compatibles avec les matériaux des composants de pompe. Sinon, les liquides peuvent provoquer une défaillance du système d'isolation électrique et causer une décharge électrique.
- L'utilisation de cet équipement nécessite les instructions d'installation et d'utilisation détaillées fournies dans le présent manuel à utiliser avec ce produit. Lisez le manuel intégralement avant de procéder à l'installation et à l'utilisation du produit. L'utilisateur final doit recevoir et conserver le manuel pour consultation ultérieure.
- Garder les étiquettes de sécurité propres et en bon état.
- Ne pas utiliser le moteur dans une zone de baignade.

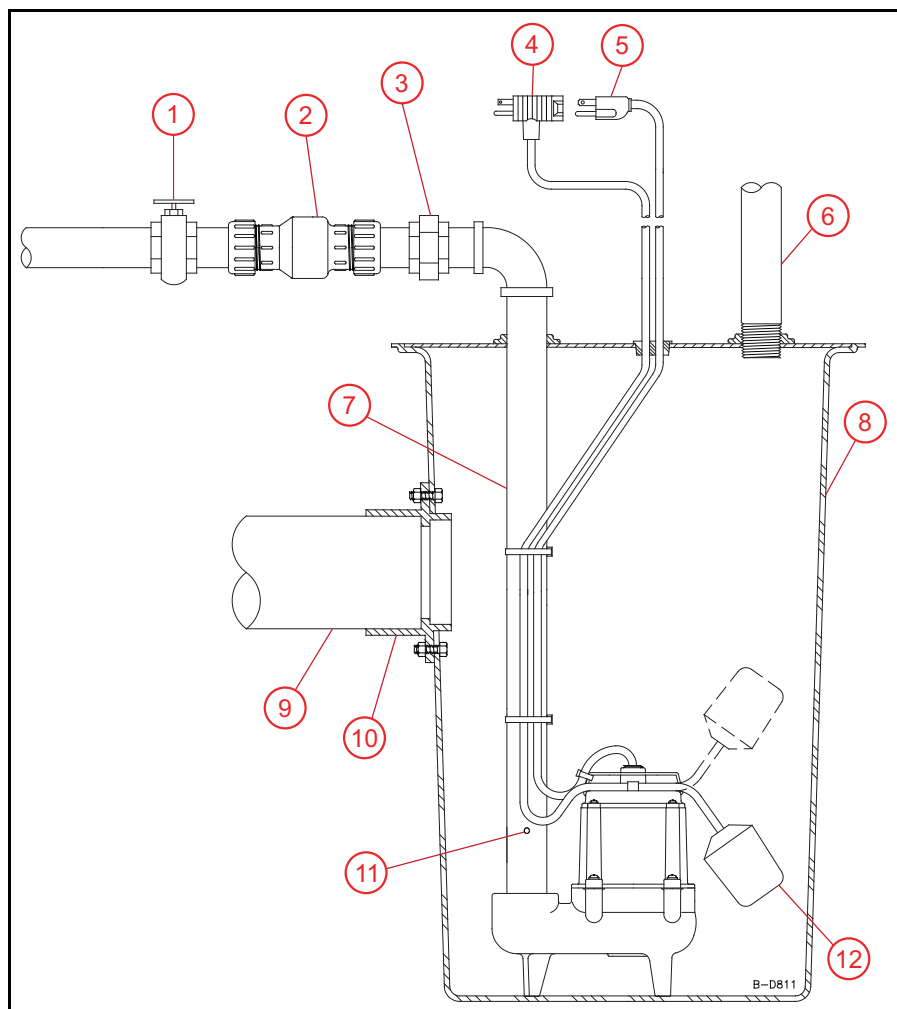
AVIS

Risque de dommages à la pompe ou d'autres équipements.

- Ne pas utiliser la pompe pour pomper de l'eau de mer, des boissons, de l'acide, des solutions chimiques ou tout autre liquide qui favoriserait la corrosion, ce qui pourrait endommager la pompe.
- Ne pas faire tourner la pompe à sec. Pour obtenir un refroidissement optimal et pour prolonger la durée de vie de la pompe, le niveau de liquide pompé doit normalement dépasser le dessus du boîtier de la pompe.
- Cette pompe n'est pas prévue pour être utilisée dans un étang.

INSTALLATION

Installation typique



- | | | | |
|-----------------------|---|---------------------------|---|
| 1. Clapet de la vanne | 4. Corde de pouvoir de changement de flotteur | 7. Refoulement | 10. Collet d'étanchéité |
| 2. Clapet de retenue | 5. Corde de pouvoir de pompe | 8. Bassin étanche aux gaz | 11. Orifice de prise d'air |
| 3. Raccord | 6. Aération | 9. Entrée | 12. Le changement de flotteur attaché (Consultez « Spécifications » page 21.) |

Installation physique

AVIS

Risque de dommages matériels dus aux inondations.

- Soutenir la pompe et la tuyauterie au cours de l'assemblage et après installation. Un manquement pourrait entraîner la rupture des tuyaux, la défaillance de la pompe, la défaillance des paliers du moteur, etc.
- Si un orifice de sûreté n'est pas percé dans le tuyau de refoulement, la pompe peut être « bloquée par de l'air » et ne pas pomper d'eau, même si elle est en marche.
- Une soupape antiretour manquante, mal installée ou défectueuse peut entraîner un cycle court de la pompe en raison du retour du liquide pompé entre la structure d'évacuation et le bassin, réduisant considérablement la durée de vie de la pompe.

REMARQUE : Pour tester le fonctionnement du système. Consultez [« Test de fonctionnement » page 27.](#)

1. Installez la pompe dans un bassin approprié d'au moins 0,46 m (1,5 pi) de diamètre et 0,61 m (2 pi) de profondeur.
 - Placez la pompe plus près possible de la source d'eau, afin de réduire au minimum la longueur de la tuyauterie d'aspiration.
 - Prévoyez un espace adapté aux futures opérations d'entretien, à la protection contre le gel et contre les inondations, et à la vidange des équipements.
 - Ne placez jamais la pompe directement sur une surface d'argile, de terre ou de gravier.
 - S'assurer que le puisard est propre et libre de clous, gravier, corde, linges, débris, avant d'installer.

IMPORTANT : N'essayez pas de restreindre le côté prise de ces pompes.

2. Connectez la tuyauterie de refoulement. Utilisez une pâte à joint de tuyau sur toutes les connexions.
 - La pompe est fournie avec un tuyau de refoulement à filetage femelle NPT de 3,81 cm (1,5 po).
 - Le tuyau de refoulement doit être aussi court que possible et comporter le moins de coudes possible.
 - Le tuyau de refoulement doit avoir un diamètre supérieur à la taille de refoulement de la pompe.
 - S'il est nécessaire de réduire les débits, une soupape peut être installée sur le côté refoulement de la pompe.
 - Si un tuyau flexible en vinyle est utilisé, une bride peut être utilisée sur le tuyau pour restreindre le débit.
3. Installez toujours un raccord union dans le conduit de refoulement, juste au-dessus du couvercle de bassin.
4. Installez un clapet de non-retour à la ligne de renvoi qui passera facilement solides de 1,91 cm (3/4 po).
 - Installez les clapets à l'horizontale ou à un angle ne dépassant pas 45°.
5. Enregistrez la pompe et échangez des cordes à la ligne de renvoi avec la bande électrique.
6. Créez un orifice de prise d'air 0,32 ou 0,48 cm (1/8 ou 3/16 po) de diamètre à la tuyauterie de refoulement de la pompe. Consultez [« Installation typique » page 24.](#)
 - Percez ce trou à un angle de 45° sous le plan horizontal et éloigné de la pompe.
7. Confirmez que la pompe fonctionne comme prévu.

REMARQUE : Il est normal qu'un filet d'eau s'échappe de l'orifice de prise d'air de la plomberie de la pompe. Assurez-vous que ce filet est recueilli à l'intérieur du bassin.

8. Placez le couvercle par-dessus le bassin.

Connexions électriques

⚠ WARNING



Cet appareil contient des tensions élevées susceptibles d'entraîner par choc électrique des blessures graves ou la mort.

- Assurez-vous que cette pompe est connectée à un circuit équipé d'un disjoncteur différentiel de fuite à la terre (DDFT) si le règlement l'exige.
- Débranchez toujours l'alimentation électrique avant de toucher la pompe, l'évacuation ou la prise électrique en cas de présence d'eau dans la zone.
- Ne pas soulever la pompe à l'aide du cordon électrique.

Raccordez le cordon d'alimentation à une source d'alimentation électrique constante qui correspond à la plaque signalétique de la pompe.

- La pompe doit être connectée ou branchée sur son propre circuit, sans autre prise ou équipement sur la ligne du circuit.

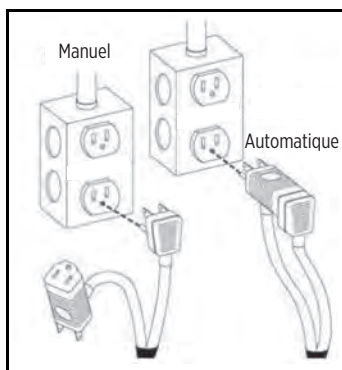
REMARQUE : Ne le raccordez pas à un ventilateur ou à tout dispositif fonctionnant par intermittence.

- Les fusibles ou les disjoncteurs doivent utiliser un disjoncteur de 15 A.

IMPORTANT : Si le cordon d'alimentation est endommagé, l'unité entière doit être remplacée.

Les pompes 9EC-CIA-RF, 9ECH-CIA-RF and 10ECH-CIA-RF ont des fiches de ferroutage sur les cordons de d'aiguillage.

1. Pour le fonctionnement automatique, branchez le cordon de la pompe dans le cordon d'aiguillage.
2. Branchez le cordon d'aiguillage dans la prise DDFT.



TEST DE FONCTIONNEMENT

AVIS

Risque de dommages à la pompe ou d'autres équipements.

- Le fonctionnement à sec de la pompe peut endommager celle-ci et annuler la garantie.
- Ne laissez pas l'appareil geler. Le gel peut provoquer des fissures ou des déformations qui peuvent endommager l'appareil.

REMARQUE : Si l'unité doit être laissée inutilisée pendant une certaine période, consultez [« Nettoyage de l'impulseur et de la volute » page 29.](#)

Test du fonctionnement de pompe automatique

Les pompes automatiques 9EC-CIA-SFS et 10ECH-CIA-SFS sont munies d'un interrupteur mécanique à flotteur intégré. Consultez [« Spécifications » page 21.](#)

Les pompes automatiques 9EC-CIA-RF, 9ECH-CIA-RF, et 10ECH-CIA-RF sont équipées d'interrupteurs automatiques avec fiches de courant jumelles sur les cordons d'alimentation de l'interrupteur.

1. Retirez le bouchon en caoutchouc sur le couvercle du bassin afin d'observer le fonctionnement de l'interrupteur.
2. Branchez le cordon d'alimentation dans une prise mise à la terre dont la tension est cohérente avec la tension de la pompe indiquée sur la plaque signalétique de celle-ci.
3. Assurez-vous que le robinet-vanne du conduit de refoulement est ouvert.
4. Faites couler de l'eau dans le bassin jusqu'à ce que la pompe principale démarre.
5. Confirmez que la pompe et son interrupteur de commande fonctionnent comme ils le devraient.
 - Assurez-vous qu'aucune obstruction éventuelle n'est susceptible d'entraver le fonctionnement de l'interrupteur.
 - Vérifiez que les niveaux MARCHE/ARRÊT sont conformes aux spécifications .
6. Confirmez l'absence de toute fuite dans la plomberie de refoulement de la pompe et dans le tuyau de drainage principal de la maison. Consultez [« Installation physique » page 25.](#)
7. Laissez la pompe fonctionner pendant plusieurs cycles de MARCHE/ARRÊT.
8. Utilisez un ohm-mètre pour vérifier la continuité entre les connexions d'entrée et de sortie de la fiche gigogne tout en soulevant et en abaissant le flotteur.



Test de fonctionnement de pompe manuelle

⚠ ATTENTION



Risque de blessure corporelle ou de dommage à la pompe ou d'autres équipements.

- Il convient de faire fonctionner la pompe en mode manuel et continu seulement en cas d'urgence ou lorsqu'un volume d'eau important doit être pompé. La pompe doit être surveillée en permanence pendant son fonctionnement et débranchée du circuit électrique avant qu'elle ne tourne à sec.
- Si un interrupteur à flotteur auxiliaire ou tout autre dispositif de contrôle du niveau de liquide est installé, consulter les instructions du fabricant. Le non-respect des codes locaux et nationaux de l'électricité et de la plomberie, ainsi que des recommandations du fabricant, lors de l'installation de ces dispositifs de contrôle, pourrait causer un risque d'électrocution ou d'incendie, une mauvaise performance ou une défaillance de l'équipement.

Les pompes manuelles 9EC-CIM, 9ECH-CIM, et 10ECH-CIM ne sont pas munies d'un contrôle automatique du niveau de liquide.

1. Raccorder un tuyau d'évacuation à l'orifice de refoulement de la pompe.
2. Placer la pompe dans un bassin ou un réservoir d'essai.
3. Diriger l'extrémité opposée du tuyau de refoulement dans le bassin ou le réservoir d'essai de sorte que l'eau évacuée du tuyau pendant l'essai soit contenue dans le bassin ou le réservoir d'essai.
4. Fixez le tuyau pour éviter que la pression d'eau créée pendant le test ne provoque la sortie du tuyau du bassin ou du réservoir d'essai.
5. Ouvrez la vanne sur le tuyau de refoulement
6. À l'aide d'une source d'eau séparée, remplissez le bassin ou le réservoir d'essai jusqu'à ce que la pompe soit complètement immergée.

REMARQUE : Ne remplissez pas trop le bassin ou le réservoir d'essai.

7. Allumez la pompe.
 - Branchez le cordon d'alimentation dans une prise mise à la terre dont la tension est cohérente avec la tension de la pompe indiquée sur la plaque signalétique de celle-ci.
 - Si la pompe est câblée directement, allumez le disjoncteur pour le circuit de puissance de la pompe.
8. Vérifiez que la pompe fonctionne comme prévu. Consultez [« Installation physique » page 25](#).
9. Si la pompe fonctionne comme prévu, débranchez le cordon d'alimentation de la pompe de la prise de courant avant d'essayer de le retirer du bassin ou du réservoir d'essai.

ENTRETIEN

⚠ AVERTISSEMENT



Risque de blessure grave ou de mort par électrocution, température élevée ou liquide sous pression.

- Avant d'effectuer des travaux sur la pompe ou l'interrupteur, vous devez toujours débrancher le cor-don d'alimentation de la pompe, en plus de retirer le fusible ou de couper le disjoncteur.
- Laisser la pompe refroidir pendant au moins deux heures avant toute tentative d'entretien. Les pompes immergées contiennent de l'huile qui devient chaude et sous pression dans des conditions normales d'utilisation.

AVIS

Risque de dommages à la pompe ou d'autres équipements.

- Cette unité est lubrifiée en permanence. Aucun graissage n'est nécessaire. Ne pas ouvrir la partie scellée de l'unité ni retirer les vis du boîtier.
- Ne pas retirer le couvercle du boîtier du moteur, le rotor ou les joints. Le retrait du couvercle du boîtier du moteur, du rotor ou des joints entraînera l'annulation de la garantie. La réparation du moteur ou du rotor nécessite l'utilisation d'outils spéciaux.

Service périodique

Inspectez et testez l'état et le fonctionnement du système de puisard tous les trois mois (plus fréquemment en cas d'utilisation intensive).

1. Inspectez les cordons d'alimentation et la prise électrique pour la présence de dommages ou de corrosion.

IMPORTANT : Si le cordon d'alimentation est endommagé, l'unité entière doit être remplacée.

2. Retirez tous les débris (gravier, sable, débris flottants, etc.) du bassin de puisard.
3. Passez en revue les composants du système de pompe (bassin, pompe, interrupteur, etc.) afin de détecter la présence de toute accumulation (boues, sédiments, minéraux, etc.) susceptible de nuire au bon fonctionnement des composants. Si ces accumulations sont importantes, retirez-les ou remplacez les composants touchés.
4. Confirmez que les colliers de serrage de tous les raccords flexibles sont correctement fixés et bien serrés.
5. Testez le fonctionnement du système. Consultez « [Test de fonctionnement](#) » page 27.

Nettoyage de l'impulseur et de la volute

1. Débranchez l'alimentation de la pompe.
2. Retirez les cinq boulons et les quatre rondelles qui fixent la volute au boîtier du moteur.
3. Séparez la volute du boîtier du moteur.

IMPORTANT : Ne pas retirer le couvercle du boîtier du moteur.

4. Nettoyez le passage de volute et l'impulseur.

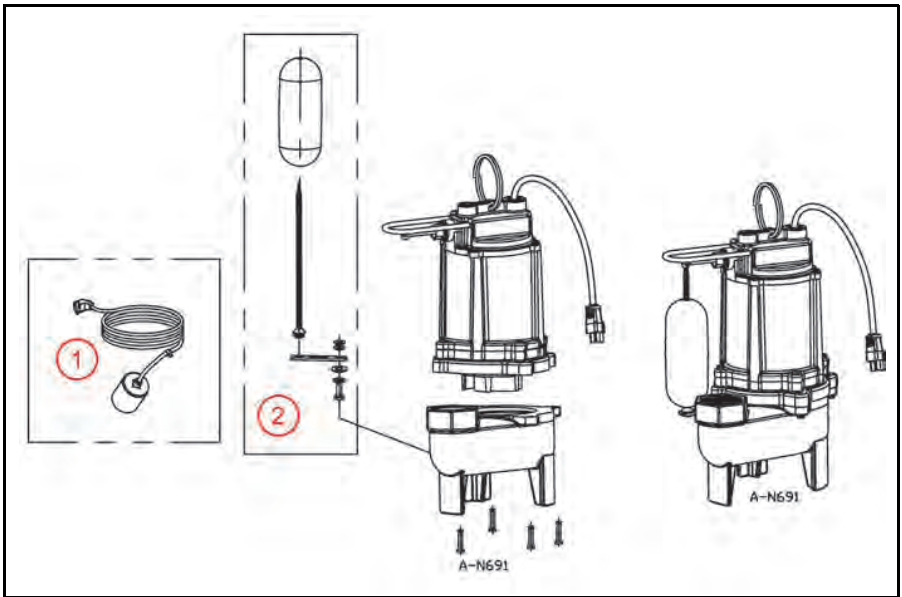
IMPORTANT : N'utilisez pas de solvants forts sur l'impulseur. Ne pas retirer le rotor.

5. Assurez-vous que l'impulseur tourne librement.
6. Placez la volute sur le boîtier du moteur et fixez-la avec les quatre boulons.

Dépannage

Problème	Causes probables	Mesure Corrective
La pompe ne démarre pas	La pompe n'est pas branchée.	Branchez la pompe.
	Disjoncteur éteint ou fusible retiré.	Activez le disjoncteur ou remplacez le fusible.
	Accumulation de déchets sur le flotteur.	Nettoyez le flotteur.
	Obstruction du flotteur.	Vérifiez la trajectoire du flotteur et assurez son dégagement.
	Interrupteur défectueux.	Piggyback flotteur mécanique: Remplacez l'interrupteur. Flotteur d'action intégrale: Remplacez la pompe.
La pompe ne s'arrête pas	Moteur défectueux.	Remplacer la pompe.
	Obstruction du flotteur ou de sa tige.	Vérifiez la trajectoire du flotteur et de sa tige et assurez leur dégagement.
	La pompe est bloquée par de l'air.	Enlever la pompe et nettoyer le trou de purge d'air.
	Le débit d'entrée de liquide atteint la capacité de la pompe.	Une pompe de plus grande taille est requise.
La pompe fonctionne, mais ne refoule pas de liquide	Interrupteur défectueux.	Piggyback flotteur mécanique: Remplacez l'interrupteur. Flotteur d'action intégrale: Remplacez la pompe.
	Le clapet anti-retour est installé à l'envers.	Vérifiez la flèche qui indique le débit sur le corps du clapet anti-retour, afin de vous assurer que ce clapet est installé correctement.
	Clapet anti-retour coincé ou obstrué.	Retirez le clapet anti-retour et inspectez-le pour vérifier son bon fonctionnement.
	L'élévation est trop élevée pour la pompe.	Vérifiez le tableau des valeurs nominales.
	L'aspiration vers l'impulseur est obstruée.	Retirez la pompe et nettoyez-la.
La pompe ne fonctionne pas à sa capacité nominale	La pompe est bloquée par de l'air.	Enlever la pompe et nettoyer le trou de purge d'air.
	L'élévation est trop élevée pour la pompe.	Vérifiez le rendement nominal de la pompe.
	Faible tension, vitesse trop lente.	Vérifiez la tension appropriée d'alimentation, pour vous assurer qu'elle correspond à la tension sur la plaque signalétique.
	Le tuyau de refoulement ou l'impulseur est obstrué.	Retirez la pompe et nettoyez-la. Vérifiez le tuyau pour la présence d'entartrage ou de corrosion.
La pompe effectue continuellement des cycles	Usure de l'impulseur à cause d'éléments abrasifs.	Remplacer la pompe.
	Aucun clapet anti-retour n'est installé sur le long tuyau de refoulement afin de permettre au liquide de retourner dans le puisard.	Installez un clapet anti-retour sur le conduit de refoulement.
	Le tuyau de refoulement ou l'impulseur est obstrué.	Inspectez le clapet anti-retour pour vérifier son bon fonctionnement.
Les sprays d'eau d'un trou dans la pipe de renvoi.	Bassin trop petit pour le débit entrant.	Installez un bassin de plus grande taille.
	Il devrait y avoir un trou saigné dans la pipe de renvoi qui permet à l'air piégé de s'échapper de la pompe, en prévenant la bulle d'air.	Aucune mesure corrective n'est requise.

Pièces de rechange



N°	Description	Num. de pièce
1	RF Flotteur à distance 115 V, Cordon d'alimentation de 20 pieds	599210
	RF Flotteur à distance 115 V, Cordon d'alimentation de 30 pieds	599121
	RF Flotteur à distance 230 V, Cordon d'alimentation de 20 pieds	599209
2	SFS Flotteur à coup sec	599139



Pour l'aide technique, entrez s'il vous plaît en contact :

800.701.7894 | **littlegiant.com**

998781 Rév. 002 10/22

LittleGIANT®

Franklin Electric Co., Inc. | Oklahoma City, OK 73157-2010

Droits d'auteur © 2022, Franklin Electric, Co., Inc. Tous droits réservés.